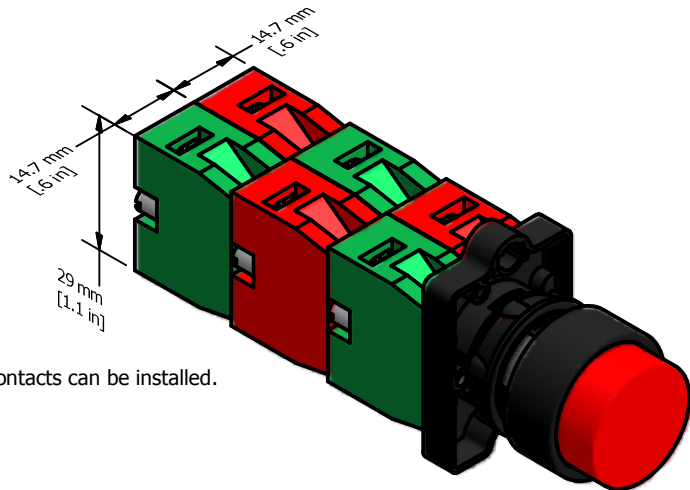
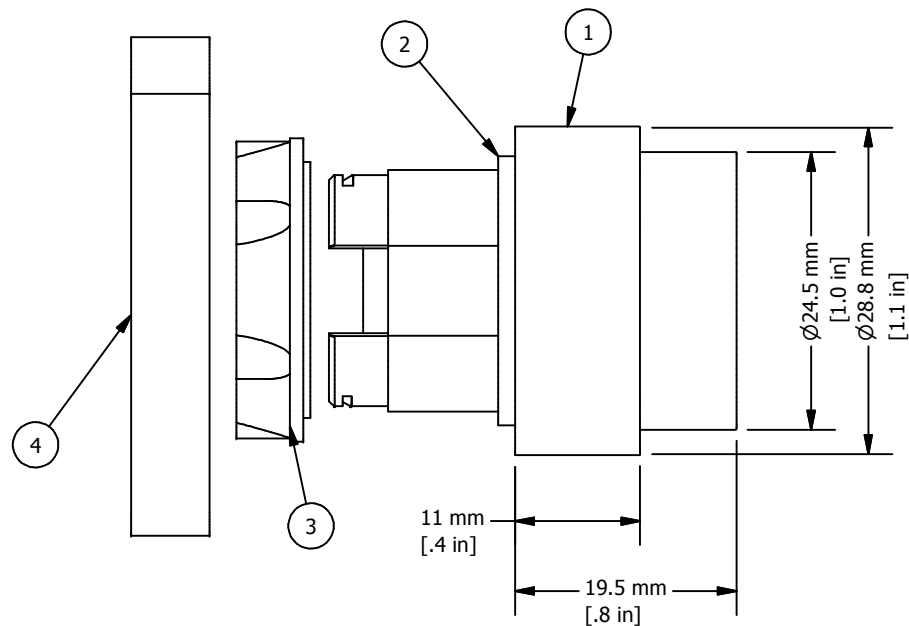
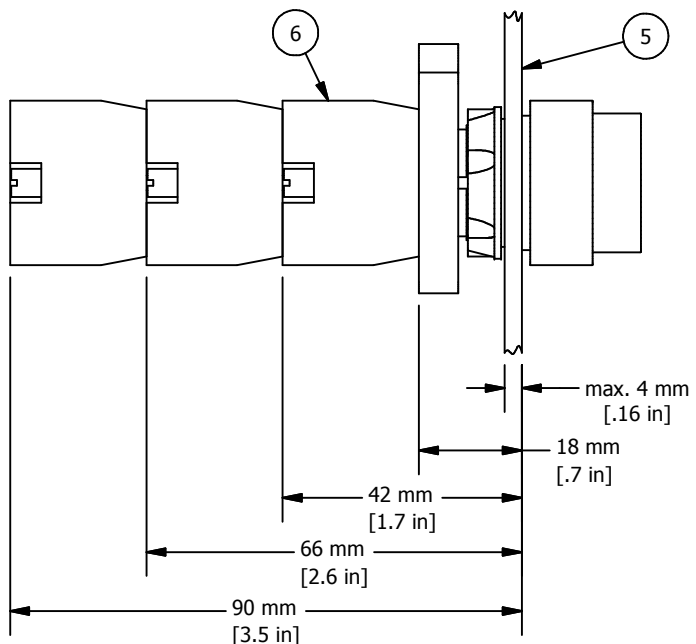


REVISION FOR DWG # 1PB-P2APx

REV	CH.NO.	DESCRIPTION	DATE	REVISED BY
-	-	ORIGINAL DESIGN	11/5/2007	PHILIPP E.



Up to **six** switch contacts can be installed.

- * = Push button is supplied with rubber gasket, mounting nut and mounting bracket (ITEM 1,2,3 and 4)
- ** = Switch Contacts must be ordered separately

ITEM	DESCRIPTION	CAT. NO.	COLOR	MIN. QTY.	MAX. QTY.
1*	Push Button, Projecting	P2AP2	Black	1	1
		P2AP3	Green	1	1
		P2AP4	Red	1	1
		P2AP6	Blue	1	1
		P2AP8	Yellow	1	1
2*	Rubber Gasket	2PRG1	Black	1	1
3*	Mounting Nut	P2MN	Black	1	1
4*	Mounting Bracket	P2BRK	Black	1	1
5	Panel	-	-	-	-
6**	Switch Contacts	S1	Green	1	6
		S2	Red	1	6
		S3	Green/Gray	1	6
		S4	Red/Gray	1	6

UNLESS OTHERWISE SPECIFIED:
 • ALL DIMENSIONS ARE IN MILLIMETERS
 • THIRD ANGLE PROJECTION



This Drawing is the property of
Altech Corp.

35 Royal Road
 Flemington, NJ 08822-6000
 (908) 806-9400
 Fax (908) 806-9490

M
E
T
R
I
C

TOLERANCE	
XX	±1 mm
XX.X	±0.5 mm
XX.XX	±0.2 mm
ALL	- mm

AND IS A CONFIDENTIAL DISCLOSURE LENT WITHOUT CONSIDERATION OTHER THAN THE BORROWER'S AGREEMENT THAT IT SHALL NOT BE REPRODUCED, COPIED, LENT OR DISPOSED OF DIRECTLY OR INDIRECTLY NOR USED FOR ANY PURPOSE OTHER THAN THAT FOR WHICH IT IS SPECIFICALLY FURNISHED.

TITEL **22 mm Thermoplastic Enclosure Projecting Push Button P2APx (x=color)**

DRAWN BY: Philipp Ernstberger	11/5/2007	DRAWING NO.:	1PB-P2APx	REV.:	-
CHECKED BY: Laszlo Gyorgypal	11/5/2007	SCALE:	-	SHEET:	1
RELEASED BY: Laszlo Gyorgypal	11/5/2007			OF:	1