

Preset counters electronic

2 presets, totalizer and batch counter

Large 14 mm display LED, 6-digits, programmable

NE218



NE218 - LED Preset counter

Features

- Preset counter with two presets
- Display 6-digits
- Totalizer, hour counter
- Operating mode, start count, scaling factor programmable
- Connection: Incremental encoder or digital sensors
- Preset mode programmable
- Interface RS422/RS485

Technical data - electrical ratings

Voltage supply	115/230 VAC $\pm 10\%$ (50/60 Hz) 24/48 VAC $\pm 10\%$ (50/60 Hz) 24 VDC $\pm 10\%$
Power consumption	5 VA, 4 W
Sensor supply	12...26 VDC / max. 85 mA
Display	LED, 7-segment display
Number of digits	6-digits
Digit height	14 mm
Function	Preset counter Main counter with 2 presets Totalizer Hour counter
Scaling factor	0.0001...9999.99
Count modes	Adding or subtracting A-B (difference counting) A+B total (parallel counting) Up/Down A 90° B phase evaluation
Counting frequency	3 Hz, 25 Hz, 10 kHz programmable
Operating modes	Step preset, Main preset, Parallel alignment, Trailing preset
Data memory	>10 years in EEPROM
Reset	Button, electric or automatic
Outputs relay	Normally open or closed, programmable
Output holding time	0.01...99.99 s
Interfaces	RS422, RS485
Standard DIN EN 61010-1	Protection class II Overvoltage category II Pollution degree 2
Emitted interference	DIN EN 61000-6-3
Interference immunity	DIN EN 61000-6-2

Technical data - electrical ratings

Programmable parameters	Operating modes Sensor logic Scaling factor Count mode Control inputs
Approvals	UL/cUL, CE conform

Technical data - mechanical design

Operating temperature	0...+50 °C
Storing temperature	-20...+70 °C
Relative humidity	80 % non-condensing
E-connection	Plug-in screw terminals
Core cross-section	1.5 mm ²
Protection DIN EN 60529	IP 65 face with seal
Operation / keypad	Membrane with softkeys
Housing type	Built-in housing
Dimensions W x H x L	96 x 48 x 114.7 mm
Installation depth	115 mm
Mounting	Clip frame
Cutout dimensions	92 x 45 mm (+0.6)
Materials	Housing: Makrolon 6485 (PC) Keypad: Polyester
Weight approx.	350 g (AC), 250 g (DC)

Preset counters electronic

2 presets, totalizer and batch counter

Large 14 mm display LED, 6-digits, programmable

NE218

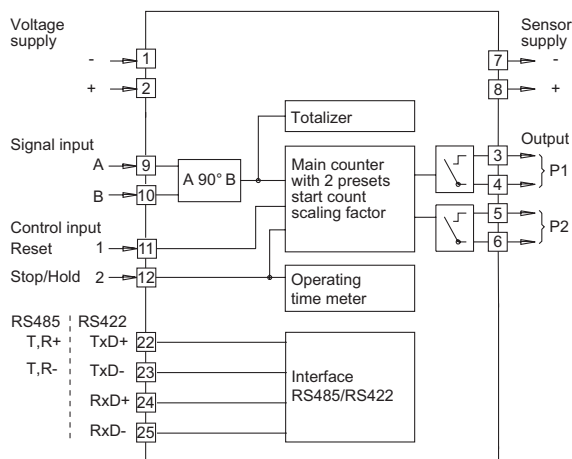
Part number

NE218.

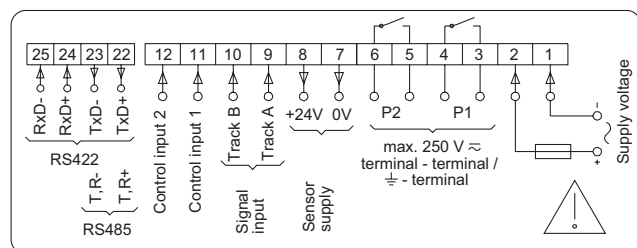
	1		AX01
--	---	--	------

- Voltage supply
 - 1 24 / 48 VAC
 - 2 115 / 230 VAC
 - 3 24 VDC
- Outputs
 - 1 Relay outputs
- Interface
 - 0 Without interface
 - 1 RS422 / RS485

Block circuit diagram



Connection diagram



Trigger level

Comparator inputs	Input circuit
Inputs	PNP- / NPN- / AC-logic
Input level	Programmable
Input level Low	0...2 VDC
Input level High	3...40 VDC
Input resistance	3 kΩ

Relay outputs	Output circuit
Switching voltage max.	250 VAC / 110 VDC
Switching current max.	1 A
Switching capacity max.	150 VA / 30 W
Relay responding time	5 ms

Dimensions

