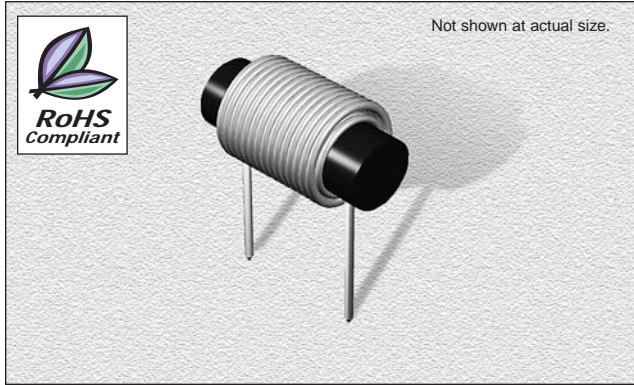


CTHRF Series

From 5 μH to 250 μH



CHARACTERISTICS

Description: High current filter inductor.

Applications: Noise filtering for switching regulators, power amplifiers, power supplies, and SCR and Triac control circuits.

Operating Temperature: -55°C to +125°C (no load)
-55°C to +75°C (at full rated current).

Inductance Tolerance: K = $\pm 10\%$

Inductance: Measured at 1.0 volt with zero DC current.

Packaging: Bulk pack.

Testing: Inductance is tested on an HP4262A at 1.0 kHz.

Sleeving: Flame retardant polyolefin UL type VW-1 per MIL-I-23053/5, marked with inductance and tolerance.

Additional Information: Additional electrical & physical information available upon request

Miscellaneous: RoHS Compliant.

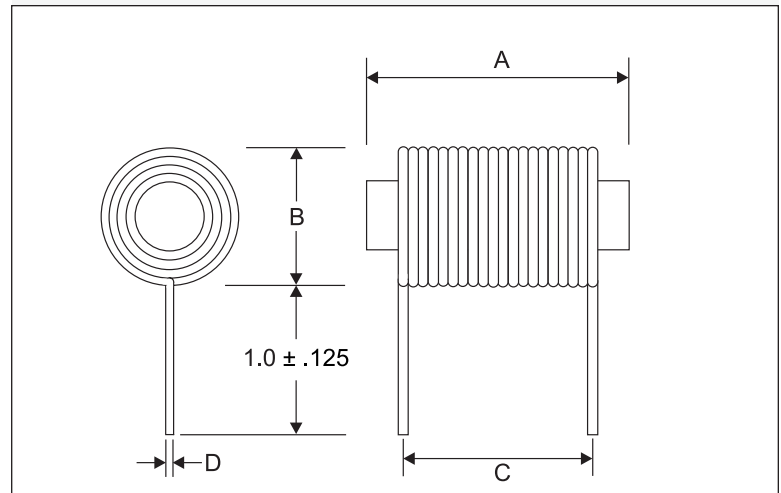
Samples available. See website for ordering information.

SPECIFICATIONS

Part Number	Inductance (μH)	DCR Max. (Ω)	Rated (A)	Incr (A)
CTHR3F-50K	5.0	0.015	10.0	25
CTHR3F-100K	10	0.018	9.0	19
CTHR3F-270K	27	0.035	7.0	12
CTHR3F-500K	50	0.050	5.6	8.0
CTHR3F-101K	100	0.065	5.2	6.0
CTHR3F-151K	150	0.075	5.0	5.0
CTHR3F-251K	250	0.090	5.0	4.0
CTHR5F-50K	5.0	0.012	14.0	25
CTHR5F-100K	10	0.015	12.0	19
CTHR5F-270K	27	0.025	9.0	13
CTHR5F-500K	50	0.030	8.0	10
CTHR5F-680K	68	0.035	7.5	9.0
CTHR5F-101K	100	0.050	7.5	7.0
CTHR5F-151K	150	0.060	7.0	5.0
CTHR10F-50K	5.0	0.010	19.0	25
CTHR10F-100K	10	0.012	16.0	19
CTHR10F-270K	27	0.018	12.5	12
CTHR10F-500K	50	0.025	11.0	10
CTHR10F-680K	68	0.027	10.0	8.0
CTHR10F-101K	100	0.030	10.0	7.0
CTHR15F-50K	5.0	0.008	24.0	25
CTHR15F-100K	10	0.010	20.0	19
CTHR15F-270K	27	0.015	16.0	14
CTHR15F-500K	50	0.020	15.0	10

PHYSICAL DIMENSIONS

Part #	A	B	C	D
	Max.	Max.	Max.	Max.
CTHR3F-50K	0.875	0.600	0.500	0.042
CTHR3F-100K	1.125	0.625	0.687	0.042
CTHR3F-270K	0.875	0.800	0.437	0.042
CTHR3F-500K	0.875	0.800	0.750	0.042
CTHR3F-101K	1.125	0.800	0.937	0.042
CTHR3F-151K	1.375	0.800	1.062	0.042
CTHR3F-251K	1.625	0.800	1.312	0.042
CTHR5F-50K	0.875	0.625	0.750	0.058
CTHR5F-100K	1.125	0.625	1.000	0.058
CTHR5F-270K	0.875	0.840	0.562	0.058
CTHR5F-500K	1.125	0.840	0.750	0.058
CTHR5F-680K	1.125	0.860	0.875	0.058
CTHR5F-101K	1.375	0.860	1.000	0.058
CTHR5F-151K	1.625	0.860	1.250	0.058
CTHR10F-50K	1.125	0.635	0.812	0.065
CTHR10F-100K	1.375	0.635	1.218	0.065
CTHR10F-270K	1.125	0.935	0.687	0.065
CTHR10F-500K	1.375	0.935	0.937	0.065
CTHR10F-680K	1.375	0.935	1.125	0.065
CTHR10F-101K	1.625	0.935	1.312	0.065
CTHR15F-50K	1.375	0.700	0.937	0.082
CTHR15F-100K	1.687	0.700	1.50	0.082
CTHR15F-270K	1.375	1.000	0.937	0.082
CTHR15F-500K	1.625	1.000	1.125	0.082



12.20.05