

**Features**

- Low cost
- 105°C output capacitor
- AC Input range selected by switch
- High efficiency, low working temperature
- Soft-start circuit, limiting AC surge current
- Short circuit, overload, over-voltage protected
- Compact size, light weight
- 100% full load burn-in test
- Built in EMI filter, low ripple noise
- Din rail mountable

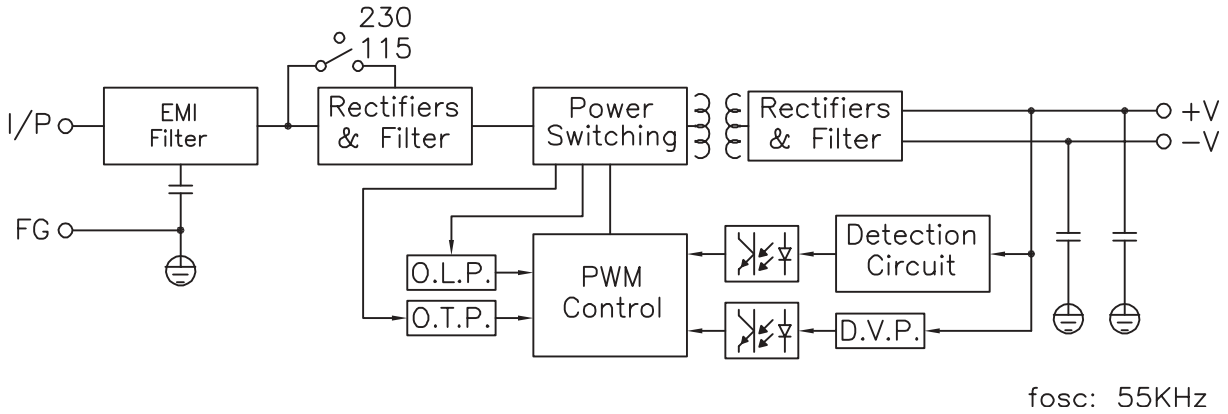


<b>DC output voltage</b>	12V
<b>Output V. tolerance</b>	±2%
<b>Output rated current</b>	10A
<b>Output current range</b>	0-10A
<b>Ripple &amp; noise</b>	80mVp-p
<b>Line regulation</b>	±0.5%
<b>Load regulation</b>	±1%
<b>DC output power</b>	120W
<b>Efficiency</b>	80%
<b>DC voltage adj.</b>	12-14V
<b>Input voltage range</b>	88~132VAC/176~264VAC selected by switch, 47~63Hz; or 254~370VDC
<b>AC current</b>	2.8A/115V 1.7A/230V
<b>Inrush current</b>	cold start 30A/115V 60A/230V
<b>Leakage current</b>	<3.5mA/240VAC
<b>Overload protection</b>	105%~150% type: constant current limiting, auto recovery
<b>Over voltage protection</b>	15~16.5V
<b>Over temp. protection</b>	85 °C±5 °C (TSW1)
<b>Temperature coefficient</b>	±0.03% / °C (0~50°C)
<b>Set up, rise, hold up time</b>	500ms;70ms; 30ms/230V,115V
<b>Vibration</b>	10~500Hz, 2G 10min./1cycle (1 hour each axes)
<b>Withstand voltage</b>	I/P-O/P: 3KVAC, I/P-FG: 1.5KVAC, O/P-FG: 0.5KVAC, for 1 min.
<b>Isolation resistance</b>	I/P-O/P, I/P-FG, O/P-FG: 500VDC / 100M Ohms min.
<b>Working temp., humidity</b>	-10°C~+60% (refer to output derating curve), 20%-90% RH
<b>Storage temp., humidity</b>	-20°C~+85°C, 10%~95% RH
<b>Dimensions</b>	2.58x4.93x3.94 inches (65.5x125.2x100mm)
<b>Weight</b>	1.76 lbs (0.8Kgs)
<b>Safety standards</b>	TUV EN60950, UL508
<b>EMC standards</b>	EN55022 CLASS B, EN61000-4-2,3,4,5,6,8,11; ENV50204, EN61000-3-2,-3

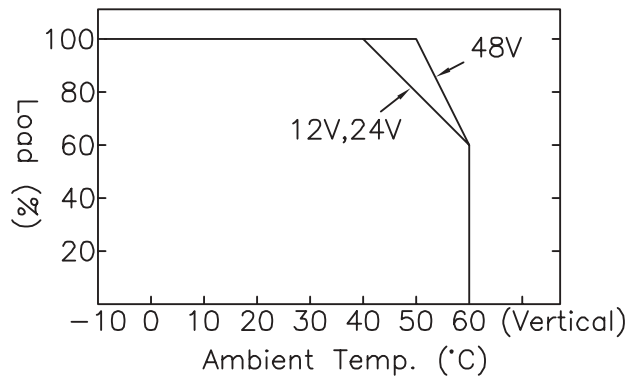
- Notes:
1. All parameters are specified at 230VAC input, rated load, 25°C 70% ambient
  2. Tolerance includes set up tolerance, line regulation, load regulation
  3. Ripple & noise are measured at 20MHz by using a 12" twisted pair terminated with a 0.1uF & 47 uF capacitor
  4. Line regulation is measured from low line to high line at rated load
  5. Load regulation is measure from 0% to 100% rated load

\*V-Infinity reserves the right to make changes to its products or to discontinue any product or service without notice, and to advise customers to verify the most up-to-date product information before placing orders. V-Infinity assumes no liability or responsibility for customer's applications using V-Infinity products other than repair or replacing (at V-I's option) V-Infinity products not meeting V-I's published specifications. Nothing will be covered outside of standard product warranty.

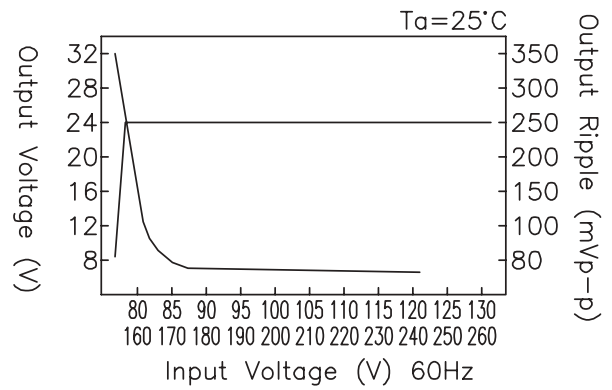
## Block Diagram



## Output Derating



## Static Characteristics



## Dimensions (mm)

- Case: 921  
 Terminal Pin No. Assignment  
 TB1: AC Input  
 Pin 1: Ground  
 Pin 2: AC/N  
 Pin 3: AC/L  
 TB2: DC Output  
 Pin 1: +V  
 Pin 2: +V  
 Pin 3: -V  
 Pin 4: -V

