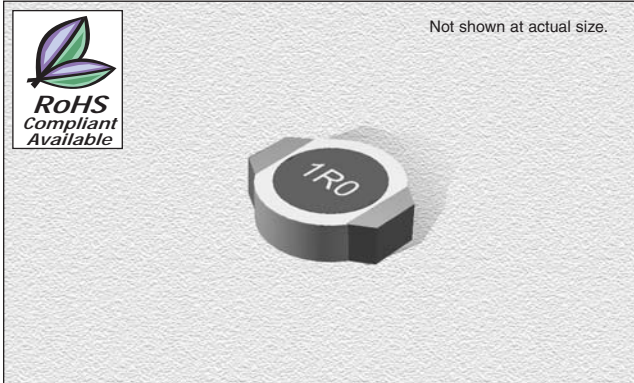


CTDO1606T Series

From 1.0 μH to 1,000 μH



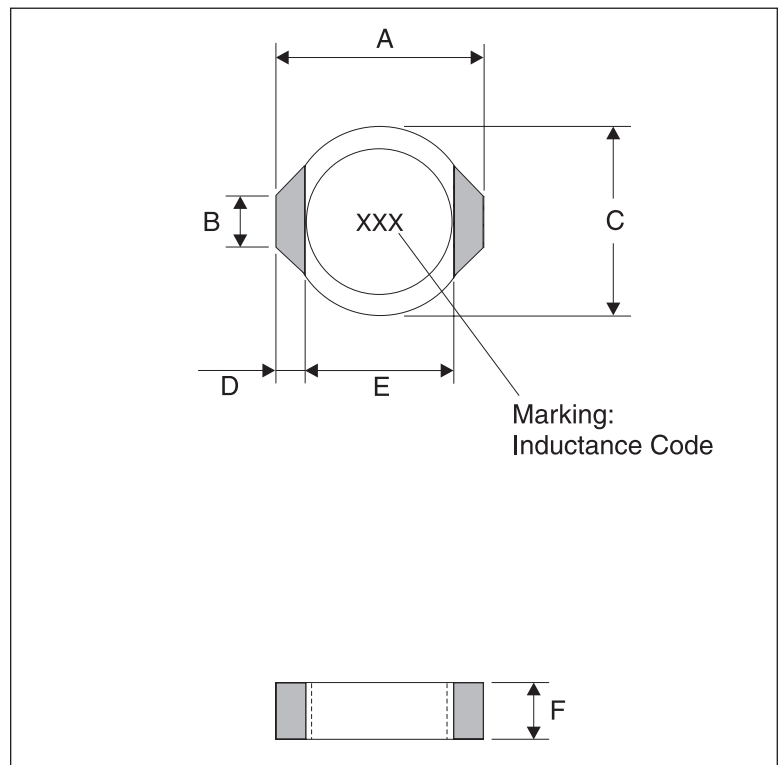
SPECIFICATIONS

Please specify tolerance code when ordering.
 CTDO1606T-102_ ← K = $\pm 10\%$ M = $\pm 20\%$
 CTDO1606TE Please specify "F" for RoHS Compliant

Part Number	Inductance (μH)	L Test Freq. (kHz)	DCR Max. (Ω)	SRF Ref. (MHz)	Isat (A)	Irms (A)
CTDO1606T_-102_	1.0	100	.05	230	2.25	2.3
CTDO1606T_-152_	1.5	100	.06	180	1.98	2.1
CTDO1606T_-222_	2.2	100	.07	140	1.62	1.7
CTDO1606T_-332_	3.3	100	.10	110	1.26	1.3
CTDO1606T_-472_	4.7	100	.12	100	1.08	1.1
CTDO1606T_-682_	6.8	100	.19	80	0.99	1.0
CTDO1606T_-103_	10	100	.30	60	0.90	0.90
CTDO1606T_-153_	15	100	.40	45	0.72	0.70
CTDO1606T_-223_	22	100	.54	35	0.54	0.50
CTDO1606T_-333_	33	100	.74	30	0.45	0.45
CTDO1606T_-473_	47	100	1.1	22	0.40	0.40
CTDO1606T_-683_	68	100	1.6	20	0.31	0.35
CTDO1606T_-104_	100	100	2.3	15	0.27	0.30
CTDO1606T_-154_	150	100	3.2	10	0.22	0.25
CTDO1606T_-224_	220	100	5.7	9	0.16	0.18
CTDO1606T_-334_	330	100	8.2	8	0.14	0.16
CTDO1606T_-474_	470	100	10.8	7	0.12	0.12
CTDO1606T_-684_	680	100	17.2	5	0.10	0.10
CTDO1606T_-105_	1000	100	22.6	4	0.07	0.08

PHYSICAL DIMENSIONS

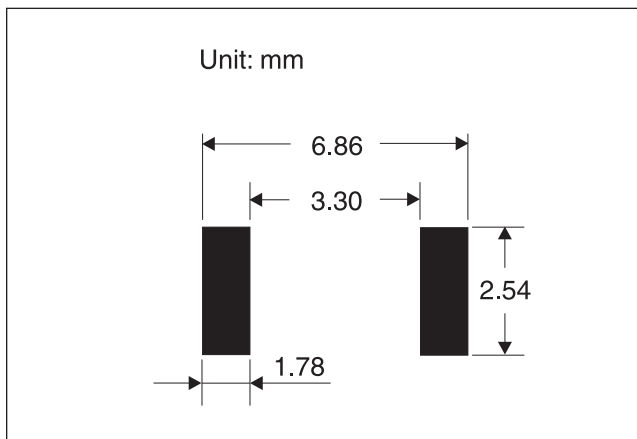
Size	A Max.	B	C Max.	D	E	F Max.
mm	6.5	2.0	5.6	1.0	4.3	2.0
inches	0.26	0.08	0.22	0.04	0.17	0.08



CHARACTERISTICS

- Description:** SMD power inductor
- Applications:** VTR power supplies, OA equipment, LCD televisions, PC notebooks, portable communication equipment, DC/DC converters. Used in limited spaces and ultra-low profiles
- Operating Temperature:** -40°C to $+85^{\circ}\text{C}$
- Inductance Tolerance:** $\pm 10\%$, $\pm 20\%$
- Inductance Drop:** 10% typ. at Isat
- Temp. Rise:** $\Delta T = 30^{\circ}\text{C}$ rise at I rms
- Testing:** Inductance is tested on an HP4285A at 100 kHz
- Packaging:** Tape & Reel
- Marking:** Parts are marked with the appropriate inductance code
- Miscellaneous:** RoHS Compliant available
- Additional Information:** Additional electrical & physical information available upon request
- Samples available. See website for ordering information.**

PAD LAYOUT



02.04.05