

Component Power AC Front End Modules

500 & 1000 Watts CPH Series



THE XPERTS IN POWER

- 85-264 VAC Input
-
- PFC to EN61000-3-2
-
- Efficiency up to 95%
-
- Fixed Switching Frequency
-
- Parallel Operation
-
- Compatible with CPM Series
-
- International Approvals

Specification

Input

- Input Voltage**
 - 85-264 VAC (derate the CPH1000 to 850 W between 85 & 95 VAC)
- Input Frequency**
 - 47-63 Hz
- Input Current (Typical)**
 - 5.6/4.0 A at 115/230 VAC CPH500
 - 11.5/8.5 A at 115/230 VAC CPH1000
- Inrush Current**
 - 15/30 A typ at 115/230 AC CPH500
 - CPH1000 limited by external resistance
 - contact technical sales for details
- Inrush Current Protection**
 - Standard
- Power Factor**
 - 0.98 typical (complies with EN61000-3-2 85-255 VAC)
- Leakage Current**
 - <0.3 mA CPH500, <0.75 mA CPH1000

Output

- Output Power**
 - 500/1000 W for CPH500/1000
 - 95-170 VAC
 - 750/1500 W for CPH500/1000 with input voltage 170-264 VAC
- Output Voltage**
 - 300-360 VDC (automatically changes according to the input voltage)
- Minimum Load**
 - No minimum load required
- Overvoltage Protection**
 - 390-440 VDC CPH500,
 - 400-450 VDC CPH1000
- Thermal Protection**
 - +100 °C ±15 °C (baseplate)
- Current Share**
 - Standard

General

- Efficiency**
 - 90/95% typical at 100/200 VAC
- Isolation**
 - Input to Output not isolated,
 - 3000 VAC Input to Ground
 - 500 VDC Output to Ground

- Switching Frequency**
 - 170 kHz CPH500, 130 kHz CPH1000
- Power Good Signal**
 - Open-collector output, max sink current 5 mA, max voltage 35 V CPH500
- Inverter Operation Monitoring**
 - Open-collector output, max sink current 5/10 mA for CPH500/CPH1000
- Enable Signal**
 - Open-collector output, max sink current 10 mA, max voltage 35 V CPH1000 only

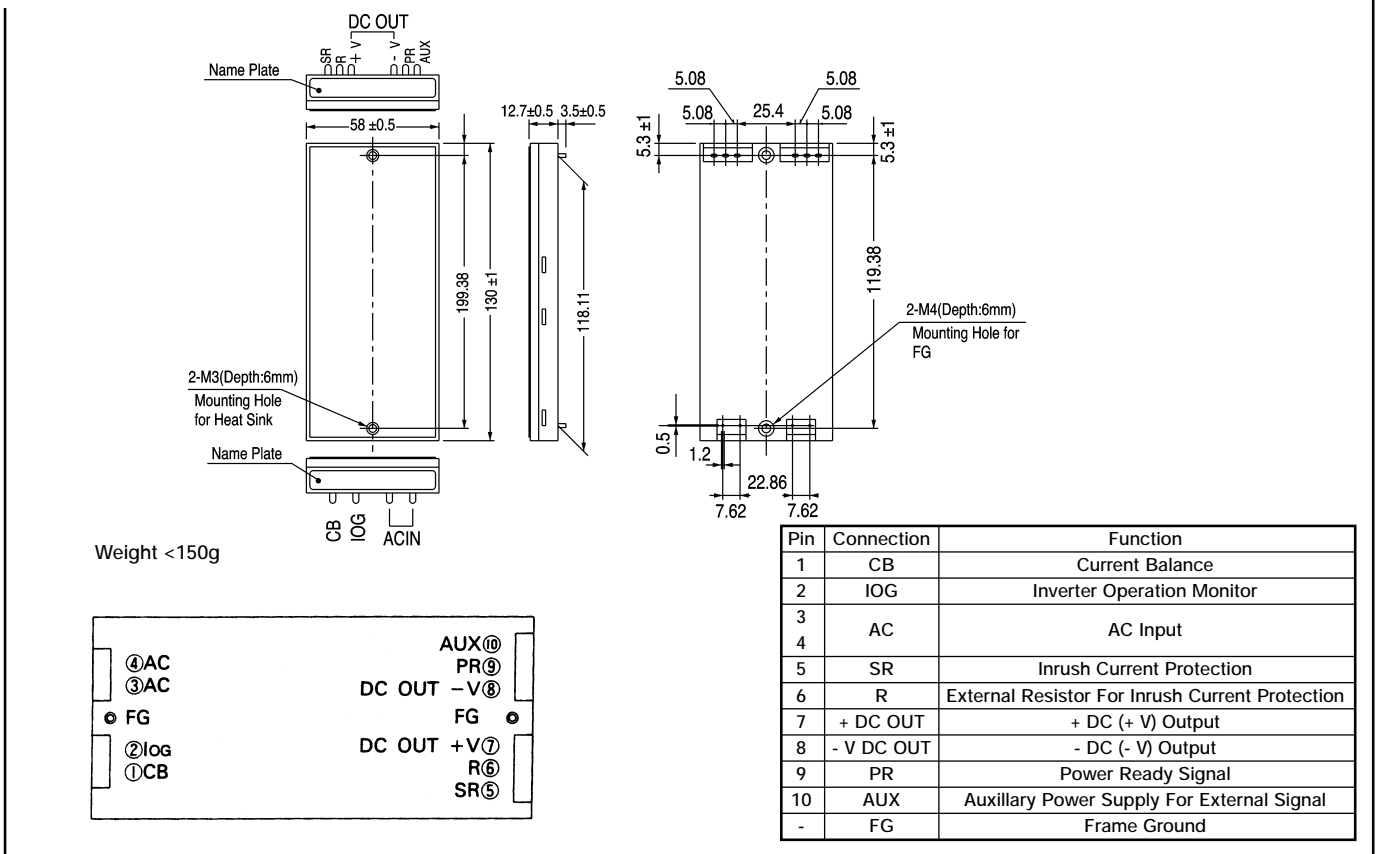
Environmental

- Operating Temperature**
 - -20 °C to +85 °C (aluminium baseplate)
- Storage Temperature**
 - -40 °C to +85 °C
- Humidity**
 - 20-95% RH non-condensing
- Vibration**
 - 10-55 Hz 5G 3 minute period, 60 mins along each X, Y & Z axis
- Shock**
 - 20 G 11 ms once each X, Y & Z axis

Safety

- Emissions**
 - EN55022 Level B conducted
 - EN55022 Level B radiated
 - External components required
 - Contact Sales for Application Note
- ESD Susceptibility**
 - EN61000-4-2 Level 2
- Radiated Susceptibility**
 - EN61000-4-2 Level 3
- EFT/Burst**
 - EN61000-4-4 Level 3
- Surge**
 - EN61000-4-5 Level 3, 4
- Safety Approvals**
 - EN60950, UL1950, CUL1950

Mechanical Details - CPH500USC3



Mechanical Details - CPH1000USC3

