

Silicon PNP Power Transistors

BDV64/64A/64B/64C

DESCRIPTION

- With TO-3PN package
- Complement to type BDV65/65A/65B/65C
- DARLINGTON
- High DC current gain

APPLICATIONS

- For use in general purpose amplifier applications.

PINNING

PIN	DESCRIPTION
1	Base
2	Collector;connected to mounting base
3	Emitter

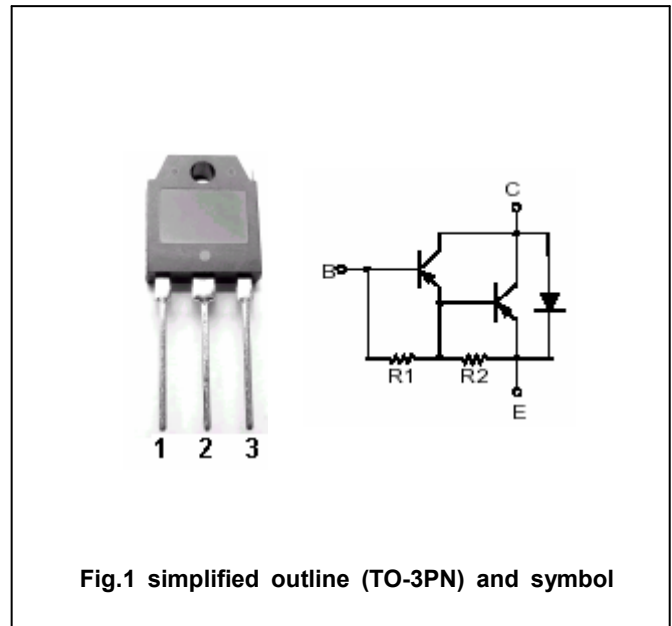


Fig.1 simplified outline (TO-3PN) and symbol

Absolute maximum ratings($T_c=25^\circ$)

SYMBOL	PARAMETER	CONDITIONS	VALUE	UNIT
V_{CBO}	Collector-base voltage	BDV64	-60	V
		BDV64A	-80	
		BDV64B	-100	
		BDV64C	-120	
V_{CEO}	Collector-emitter voltage	BDV64	-60	V
		BDV64A	-80	
		BDV64B	-100	
		BDV64C	-120	
V_{EBO}	Emitter-base voltage	Open collector	-5	V
I_C	Collector current		-12	A
I_{CM}	Collector current-peak		-15	A
I_B	Base current		-0.5	A
P_C	Collector power dissipation	$T_c=25^\circ$	125	W
		$T_a=25^\circ$	3.5	
T_j	Junction temperature		150	$^\circ$
T_{stg}	Storage temperature		-65~150	$^\circ$

Silicon PNP Power Transistors

BDV64/64A/64B/64C

CHARACTERISTICS

T_j=25 °C unless otherwise specified

SYMBOL	PARAMETER	CONDITIONS	MIN	TYP.	MAX	UNIT	
V _{(BR)CEO}	Collector-emitter breakdown voltage	BDV64	-60			V	
		BDV64A	-80				
		BDV64B	-100				
		BDV64C	-120				
V _{CEsat}	Collector-emitter saturation voltage	I _C =-5A, I _B =-20mA			-2.0	V	
V _{BE}	Base-emitter on voltage	I _C =-5A; V _{CE} =-4V			-2.5	V	
I _{CBO}	Collector cut-off current	BDV64	V _{CB} =-60V, I _E =0 V _{CB} =-30V, I _E =0; T _C =150 °C			-0.4 -2.0	mA
		BDV64A	V _{CB} =-80V, I _E =0 V _{CB} =-40V, I _E =0; T _C =150 °C			-0.4 -2.0	
		BDV64B	V _{CB} =-100V, I _E =0 V _{CB} =-50V, I _E =0; T _C =150 °C			-0.4 -2.0	
		BDV64C	V _{CB} =-120V, I _E =0 V _{CB} =-60V, I _E =0; T _C =150 °C			-0.4 -2.0	
I _{CEO}	Collector cut-off current	BDV64	V _{CE} =-30V, I _B =0			-2	mA
		BDV64A	V _{CE} =-40V, I _B =0				
		BDV64B	V _{CE} =-50V, I _B =0				
		BDV64C	V _{CE} =-60V, I _B =0				
I _{EBO}	Emitter cut-off current	V _{EB} =-5V; I _C =0			-5	mA	
h _{FE}	DC current gain	I _C =-5A; V _{CE} =-4V	1000				
V _{EC}	Diode forward voltage	I _E =-10A			-3.5	V	

THERMAL CHARACTERISTICS

SYMBOL	PARAMETER	MAX	UNIT
R _{th j-c}	Thermal resistance junction to case	1.0	°C/W

Silicon PNP Power Transistors

BDV64/64A/64B/64C

PACKAGE OUTLINE

