



RVA Series

Fully signal conditioned pressure transducers

FEATURES

- Pressure ranges from 0 ... ± 50 mmHg to 0 ... 500 psi gage
- High accuracy
- TTL power supply
- Ratiometric 0.5 to 4.5 V output
- Dual-Inline pinning for easy PCB-mounting
- Excellent media compatibility
- Sensortech PRO services



MEDIA COMPATIBILITY

P1: dry gases only

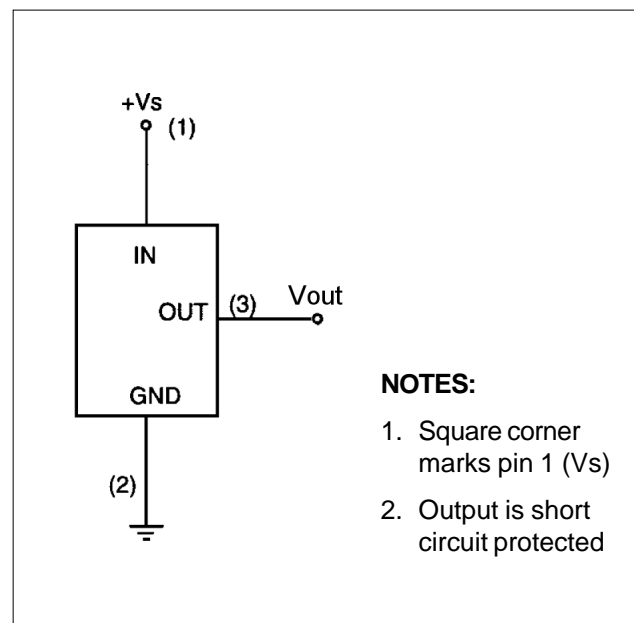
P2: all media compatible with glass, silicon, stainless steel, Invar, Sn/Ni plating or Sn/Ag solder

SPECIFICATIONS

Maximum ratings

Supply voltage (V_s)	4.75 ... 5.25 V
Output current	
Source	0.5 mA
Sink	1.0 mA
Output load capacitance	10 nF
Temperature limits	
Operating	-45 to +125°C
Storage	-55 to +125°C
Compensated	-45 to +125°C
Humidity (non-condensing)	0 - 95 %RH

ELECTRICAL CONNECTION



NOTES:

1. Square corner marks pin 1 (V_s)
2. Output is short circuit protected



RVA Series

Fully signal conditioned pressure transducers

PRESSURE RANGE SPECIFICATIONS

($V_s = 5.00$ V, $R_L > 100$ kW, $t_{amb} = 25^\circ\text{C}$)

Part number	Operating pressure range	Proof pressure ¹	Sensitivity (typ.)
RVAQ050GB...	0 ... ± 50 mmHg	170 mmHg	40.0 mV/mmHg
RVAQ300GU...	0 ... 300 mmHg	650 mmHg	13.33 mV/mmHg
RVAP015GU...	0 ... 15 psig	45 psi	266.7 mV/psi
RVAP015GV...	0 ... -15 psig	30 psi	-266.7 mV/psi
RVAP030GU...	0 ... 30 psig	60 psi	133.3 mV/psi
RVAP100GU...	0 ... 100 psig	200 psi	40.0 mV/psi
RVAP150GU...	0 ... 150 psig	300 psi	25.7 mV/psi
RVAP250GU...	0 ... 250 psig	500 psi	16.0 mV/psi
RVAP500GU...	0 ... 500 psig	1000 psi	8.0 mV/psi

Specification notes:

1. Proof pressure is the maximum pressure which may be applied without causing damage to the sensing element.
2. Non-linearity - the maximum deviation of measured output at constant temperature, from "Best Straight Line" through three points (offset pressure, full scale pressure and 1/2 full scale pressure).
3. Thermal effects tested and guaranteed in the specified temperature ranges relative to 25°C. All specifications shown are relative to 25°C.
4. Span is the algebraic difference between lowest and highest specified pressure.
5. Total accuracy is the maximum deviation from the 25°C reference transfer function at any pressure or temperature over the specified ranges. This calculation includes null, span, linearity, hysteresis, repeatability, null shift and span shift.
6. Response time for 0 to full-scale pressure step change, readings taken at 10 % and 90 % of full-scale pressure.



RVA Series

Fully signal conditioned pressure transducers

PERFORMANCE CHARACTERISTICS ($V_s = 5.00\text{ V}$, $R_L > 100\text{ kW}$, $t_{amb} = 25^\circ\text{C}$)

RVAQ050GB...

Characteristics		Min.	Typ.	Max.	Unit
Operating pressure		-50		+50	mmHg
Zero pressure offset		2.45	2.50	2.55	V
Span ⁴			4.0		
Output	at -50 mmHg		0.5		
	at +50 mmHg		4.5		
Thermal effects (0 to 50°C) ³	Offset			±1.50	%FSS
	Span			±1.50	
Non-linearity (BSL) ²				±0.8	
Hysteresis and repeatability			±0.15		
Ratiometricity error ($V_s = 4.75 \dots 5.25\text{ V}$)			±0.25		
Current consumption (no load)				10.0	mA
Response time ⁶			1		ms

RVAQ300GU...

Characteristics		Min.	Typ.	Max.	Unit
Operating pressure		0		300	mmHg
Zero pressure offset		0.45	0.50	0.55	V
Span ⁴		3.95	4.00	4.05	
Full scale output			4.5		
Thermal effects ³	Offset	-18 to +63°C		±1.25	%FSS
		-45 to +125°C		±2.75	
	Span	-18 to +63°C		±0.75	
		-45 to +125°C		±2.0	
	Combined offset and span	-18 to +63°C		±1.5	
		-45 to +125°C		±4.0	
Non-linearity (BSL) ²				±0.2	
Hysteresis and repeatability			±0.15		
Ratiometricity error ($V_s = 4.75 \dots 5.25\text{ V}$)			±0.25		
Current consumption (no load)				10.0	mA
Response time ⁶			1		ms



RVA Series

Fully signal conditioned pressure transducers

PERFORMANCE CHARACTERISTICS ($V_s = 5.00\text{ V}$, $R_L > 100\text{ kW}$, $t_{amb} = 25^\circ\text{C}$)

RVAP015GU...

Characteristics			Min.	Typ.	Max.	Unit
Operating pressure			0		15	psig
Zero pressure offset			0.39	0.50	0.61	V
Span ⁴			3.89	4.00	4.11	
Full scale output				4.5		
Thermal effects ³	Offset	-18 to +63°C			±2.0	%FSS
		-45 to +85°C			±2.75	
	Span	-18 to +63°C			±0.75	
		-45 to +85°C			±1.0	
	Combined offset and span	-18 to +63°C			±2.0	
		-45 to +85°C			±3.0	
Total accuracy ⁵					±4.0	
Non-linearity (BSL) ²					±0.2	
Hysteresis and repeatability				±0.15		
Ratiometricity error ($V_s = 4.75 \dots 5.25\text{ V}$)				±0.25		
Current consumption (no load)					10.0	mA
Response time ⁶				1		ms

RVAP015GV...

Characteristics			Min.	Typ.	Max.	Unit	
Operating pressure			0		-15	psig	
Zero pressure offset			0.46	0.50	0.54	V	
Span ⁴			3.9	4.0	4.1		
Full scale output				4.5			
Thermal effects ³	Offset	-18 to +25°C			±0.75	%FSS	
		-45 to +85°C			±1.0		
	Span	-18 to +25°C			±2.0		
		+25 to +85°C			±1.25		
	Combined offset and span	-45 to +25°C			±2.25		
		-18 to +25°C			±1.5		
							±1.0
							±1.75
Total accuracy ⁵					±2.25		
Non-linearity (BSL) ²					±0.3		
Hysteresis and repeatability				±0.15			
Ratiometricity error ($V_s = 4.75 \dots 5.25\text{ V}$)				±0.25			
Current consumption (no load)					10.0	mA	
Response time ⁶				1		ms	



RVA Series

Fully signal conditioned pressure transducers

PERFORMANCE CHARACTERISTICS ($V_s = 5.00\text{ V}$, $R_L > 100\text{ k}\Omega$, $t_{\text{amb}} = 25^\circ\text{C}$)

RVAP030GU...

Characteristics			Min.	Typ.	Max.	Unit
Operating pressure			0		30	psig
Zero pressure offset			0.46	0.50	0.54	V
Span ⁴			3.92	4.00	4.08	
Full scale output				4.5		
Thermal effects ³	Offset	-18 to +63°C			±1.5	%FSS
		-45 to +85°C			±2.0	
		-45 to +125°C			±2.25	
	Span	-18 to +63°C			±1.5	
		-45 to +85°C			±2.0	
		-45 to +125°C			±2.25	
Combined offset and span	-18 to +63°C			±2.0		
	-45 to +125°C			±2.25		
Non-linearity (BSL) ²					±0.3	
Hysteresis and repeatability				±0.15		
Ratiometricity error ($V_s = 4.75 \dots 5.25\text{ V}$)				±0.25		
Current consumption (no load)					10.0	mA
Response time ⁶				1		ms

RVAP100GU...

Characteristics			Min.	Typ.	Max.	Unit
Operating pressure			0		100	psig
Zero pressure offset			0.46	0.50	0.54	V
Span ⁴			3.91	4.0	4.09	
Full scale output				4.5		
Thermal effects ³	Offset	-18 to +63°C			±1.25	%FSS
		-45 to +85°C			±2.0	
		-45 to +125°C			±3.0	
	Span	-18 to +63°C			±0.75	
		-45 to +85°C			±1.0	
		-45 to +125°C			±2.0	
	Combined offset and span	-18 to +63°C			±1.5	
		-45 to +85°C			±2.5	
		-45 to +125°C			±3.0	
Non-linearity (BSL) ²					±0.1	
Hysteresis and repeatability				±0.15		
Ratiometricity error ($V_s = 4.75 \dots 5.25\text{ V}$)				±0.25		
Current consumption (no load)					10.0	mA
Response time ⁶				1		ms



RVA Series

Fully signal conditioned pressure transducers

PERFORMANCE CHARACTERISTICS ($V_s = 5.00\text{ V}$, $R_L > 100\text{ k}\Omega$, $t_{amb} = 25^\circ\text{C}$)

RVAP150GU...

Characteristics			Min.	Typ.	Max.	Unit
Operating pressure			0		150	psig
Zero pressure offset			0.46	0.50	0.54	V
Span ⁴			3.93	4.0	4.07	
Full scale output				4.5		
Thermal effects ³	Offset	-18 to +63°C			±0.75	%FSS
		-45 to +85°C			±1.0	
		-45 to +125°C			±1.5	
	Span	-18 to +63°C			±0.75	
		-45 to +85°C			±1.0	
		-45 to +125°C			±1.5	
	Combined offset and span	-18 to +63°C			±0.75	
		-45 to +85°C			±1.0	
		-45 to +125°C			±1.5	
Total accuracy ⁵					±2.5	
Non-linearity (BSL) ²					±0.1	
Hysteresis and repeatability				±0.15		
Ratiometricity error ($V_s = 4.75 \dots 5.25\text{ V}$)				±0.25		
Current consumption (no load)					10.0	mA
Response time ⁶				1		ms

RVAP250GU...

Characteristics			Min.	Typ.	Max.	Unit
Operating pressure			0		250	psig
Zero pressure offset			0.46	0.50	0.54	V
Span ⁴			3.93	4.0	4.07	
Full scale output				4.5		
Thermal effects ³	Offset	-18 to +63°C			±0.75	%FSS
		-45 to +85°C			±1.0	
		-45 to +125°C			±2.0	
	Span	-18 to +63°C			±0.75	
		-45 to +85°C			±1.0	
		-45 to +125°C			±2.0	
	Combined offset and span	-18 to +63°C			±0.75	
		-45 to +85°C			±1.0	
		-45 to +125°C			±3.0	
Non-linearity (BSL) ²					±0.1	
Hysteresis and repeatability				±0.15		
Ratiometricity error ($V_s = 4.75 \dots 5.25\text{ V}$)				±0.25		
Current consumption (no load)					10.0	mA
Response time ⁵				1		ms



RVA Series

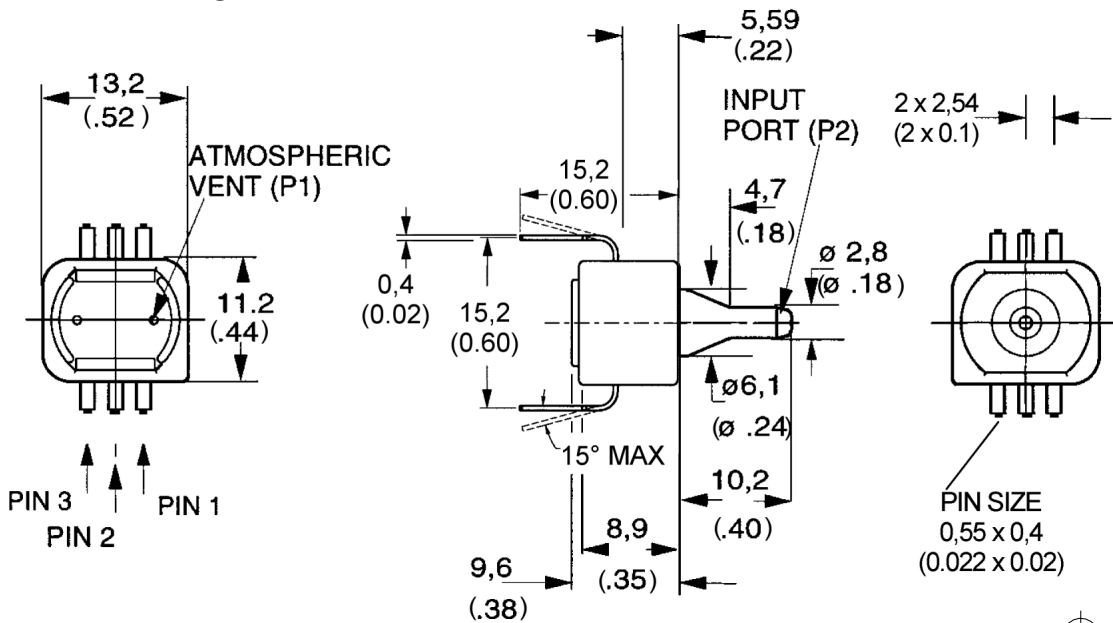
Fully signal conditioned pressure transducers

PERFORMANCE CHARACTERISTICS ($V_s = 5.00 \text{ V}$, $R_L > 100 \text{ k}\Omega$, $t_{amb} = 25^\circ\text{C}$)

RVAP500GU...

Characteristics		Min.	Typ.	Max.	Unit
Operating pressure		0		500	psig
Zero pressure offset		0.46	0.50	0.54	V
Span ⁴		3.91	4.0	4.09	
Full scale output			4.5		
Thermal effects ³	Offset	-18 to +63°C		±1.0	%FSS
		-45 to +85°C		±1.5	
		-45 to +125°C		±2.5	
	Span	-18 to +63°C		±0.75	
		-45 to +85°C		±1.0	
		-45 to +125°C		±1.5	
	Combined offset and span	-18 to +63°C		±1.0	
		-45 to +85°C		±1.75	
		-45 to +125°C		±3.0	
Non-linearity (BSL) ²				±0.2	
Hysteresis and repeatability			±0.15		
Ratiometricity error ($V_s = 4.75 \dots 5.25 \text{ V}$)			±0.25		
Current consumption (no load)				10.0	mA
Response time ⁶			1		ms

OUTLINE DRAWING



third angle projection
dimensions in mm (inches)

mass: 4 g

E / 11701 / A

7/8



RVA Series

Fully signal conditioned pressure transducers

ORDERING INFORMATION - AVAILABLE LISTINGS

Note: Preferred listings are highlighted in grey

Pressure range	Gage pressure	
	Unformed lead (straight)	Lead formed away from port
0...±50 mmHg	RVAQ050GB1	RVAQ050GB2
0...300 mmHg	RVAQ300GU1	RVAQ300GU2
0...15 psi	RVAP015GU1	RVAP015GU2
0...-15 psi	-	RVAP015GV2
0...30 psi	-	RVAP030GU2
0...100 psi	RVAP100GU1	RVAP100GU2
0...150 psi	-	RVAP150GU2
0...250 psi	RVAP250GU1	RVAP250GU2
0...500 psi	-	RVAP500GU2

Sensortech PRO services:

- Extended guarantee period of 2 years
- Improved performance characteristics
- Custom product modifications and adaptations even for small quantities
- Advanced logistics models for supply inventory and short delivery times
- Technical support through application engineers on the phone or at your site
- Fastest possible technical response for design and QA engineers
- ... plus other services on request

Sensortech reserves the right to make changes to any products herein. Sensortech does not assume any liability arising out of the application or use of any product or circuit described herein, neither does it convey any license under its patent rights nor the rights of others.