

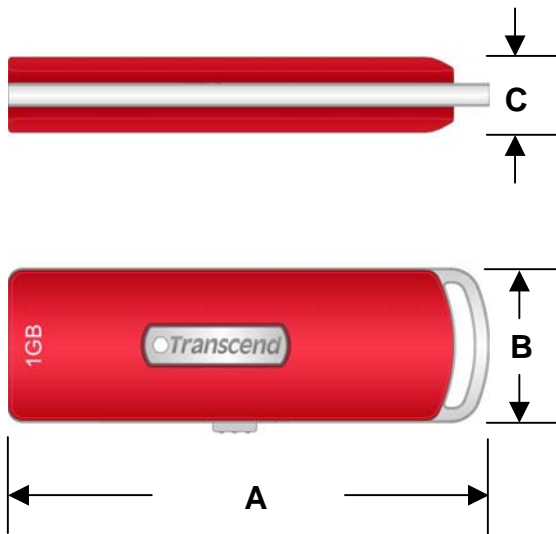
TS1GJF110

1GB USB2.0 JetFlash™

Description

TS1GJF110 is a 1GB USB Flash Drive with 1 pcs of 1Gx8 Flash Memory assembled on a printed circuit board.

Outline



Features

- Color: Red
- Elegant design with sliding USB connector
- USB 2.0 compatible, true Plug and Play
- Powered directly via the USB port. No external power or battery needed
- LED indicates the usage status of JetFlash110
- JetFlash elite software pack includes (Windows Me/2000/XP/Vista only):
 - Favorites Function: store all your favorite website addresses on the JetFlash™
 - AutoLogin Function: automatically login to websites where you have a password
 - Secret-Zip Function: compress and/or password protect saved files using AES encryption
 - PC-Lock Function: makes JetFlash™ a key to your computer
 - E-Mail Function: use your JetFlash™ to securely send, receive and save e-mails
 - DataBackup Function: backup, restore and synchronize your data

System Requirement

- Hardware: Desktop or notebook computer with USB port
- Operating System: Windows® 98SE, Windows® Me, Windows® 2000, Windows® XP, Windows® Vista and Mac™ OS 9.0 or later, Linux™ Kernel 2.4.2 or later

Dimensions

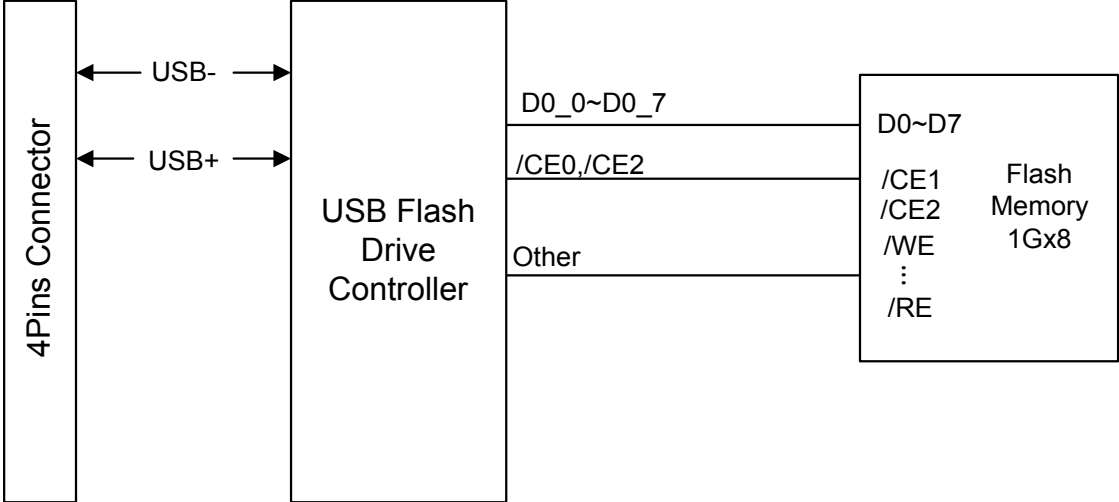
Side	Millimeters	Inches
A	64 ± 1.00	2.52 ± 0.04
B	21 ± 1.00	0.83 ± 0.04
C	10 ± 1.00	0.40 ± 0.04

TS1GJF110

1GB USB2.0 JetFlash™

Block Diagram

• With 1 pcs of 1Gx8 Flash Memory



TS1GJF110

1GB USB2.0 JetFlash™

Pinouts

Pin No.	Pin Name
01	VCC
02	USB-
03	USB+
04	VSS

Pin Identification

Symbol	Function
USB-	USB differential signal:
USB+	The pairs are used to transmit Data/Address/Command
VSS	Ground
VCC	USB power input

Specifications

Environment		
Capacity		1GB
Temperature	Operating	0 °C to 70 °C
	Non-Operating	-40 °C to 85 °C
System Performance	Read	16 MB/sec (Max.)
	Write	12 MB/sec (Max.)
Power Requirement	Voltage	DC 5V ± 10%
Data Retention		10 years
Connector Durability		10,000 times
Erase Cycles		>100,000 times
Certificates		CE, FCC, BSMI

TS1GJF110

1GB USB2.0 JetFlash™

Absolute Maximum Ratings

Symbol	Parameter	Rating	Unit
VCC33	Power Supply	-0.3 to 4.0	V
VIN	Input Voltage	-0.3 to Vcc+0.3	V
VOUT	Output Voltage	-0.3 to Vcc+0.3	V
VCC25	Internal Power Supply	-0.3 to 3.0	V

DC Characteristics: TOPR=0°C~70°C ; VCC33=3.0V~3.6V ; VCC25=2.25V~2.75V

Symbol	Parameter	Min.	Typ.	Max.	Units
IIL	Input Leakage Current (No pull-up or pull-down)	-10		10	μA
IOZ	Tri-State Leakage Current	-10		10	μA
VIL	Input Low Voltage			0.8	V
VIH	Input High Voltage	2.0			V
VOL	Output Low Voltage (IOL=4mA)			0.4	V
VOH	Output High Voltage (IOH=4mA)	2.4			V
Rt	Input pull-up/down resistance (VIL=0V or VIH= VCC)	40	75	190	KΩ
I _{ACT}	Active Current			73	mA
I _{SLP}	Sleep Current			120	μA

Recommended Operating Conditions

Symbol	Parameter	Min.	Typ.	Max.	Units
VCC33	Power Supply Voltage	3.0	3.3	3.6	V
VIN	Input Voltage	0	Vcc	Vcc+0.3	V
VCC25	Internal Power Supply	2.25	2.5	2.75	V

Above technical information is based on industry standard data and tested to be reliable. However, Transcend makes no warranty, either expressed or implied, as to its accuracy and assumes no liability in connection with the use of this product. Transcend reserves the right to make changes in specifications at any time without prior notice.