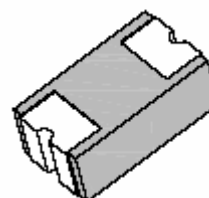


1.0A Sintered Glass Passivated Fast Recovery Rectifier

Features

- Low power loss, High efficiency
- For surface mounted applications
- High current capability
- High surge capacity
- Plastic package has UL Flammability Classification 94V-0
- RoHS Compliance

C1206



Mechanical Data

Case:	Packed with FRP substrate and epoxy underfilled
Terminals:	Pure Tin plated (Lead-Free), solderable per MIL-STD-750, Method 2026
Polarity:	Laser marking
Mounting Position:	Any
Weight:	0.02 gram

Maximum Ratings and Electrical Characteristics ($T_A=25^{\circ}\text{C}$ unless otherwise noted)

Symbol	Description	TCDR 1DW	TCDR 1GW	TCDR 1JW	TCDR 1KW	TCDR 1MW	Unit	Conditions
V_{RRM}	Max. Repetitive Peak Reverse Voltage	200	400	600	800	1000	V	
V_{RMS}	Max. RMS Voltage	140	280	420	560	700	V	
V_{DC}	Max. DC Blocking Voltage	200	400	600	800	1000	V	
I_{F(AV)}	Average Forward Rectified Current	1.0					A	See Fig.1
I_{FSM}	Peak Forward Surge Current	30					A	
V_F	Max. Forward Voltage	1.3					V	
I_R	Reverse Current @ V _R = V _{RRM}	1					μA	T _A =25°C
		30					μA	T _A =125°C
		50					μA	T _A =150°C
T_{rr}	Max. Reverse Recovery Time	200			300		nS	I _F =0.5A, I _R =1.0A, I _{rr} =0.25A.
R_{thJA} R_{thJL}	Thermal Resistance	95 40					°C / W	Junction to ambient

1.0A Sintered Glass Passivated Fast Recovery Rectifier

TCDR1DW - TCDR1MW

Symbol	Description	TCDR 1DW	TCDR 1GW	TCDR 1JW	TCDR 1KW	TCDR 1MW	Unit	Conditions	
C_J	Diode Junction Capacitance	15					15	pF	f=1MHz V _R = 4V
T_J,T_{STG}	Operating Junction and Storage Temperature Range	-65 to +175						°C	

Typical Characteristics Curves

Fig.1- Forward Current Derating Curve

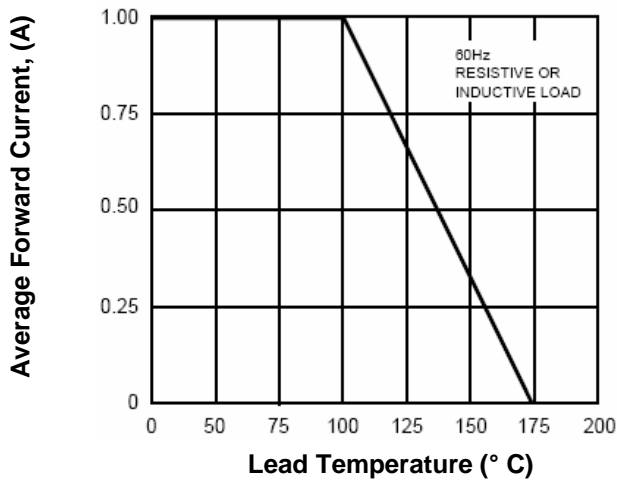


Fig.2- Maximum Non-Repetitive Forward Surge Current

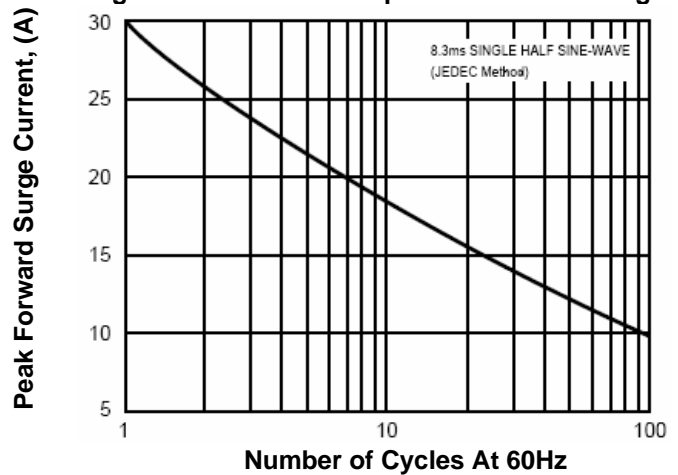


Fig.3- Typical Forward Characteristics

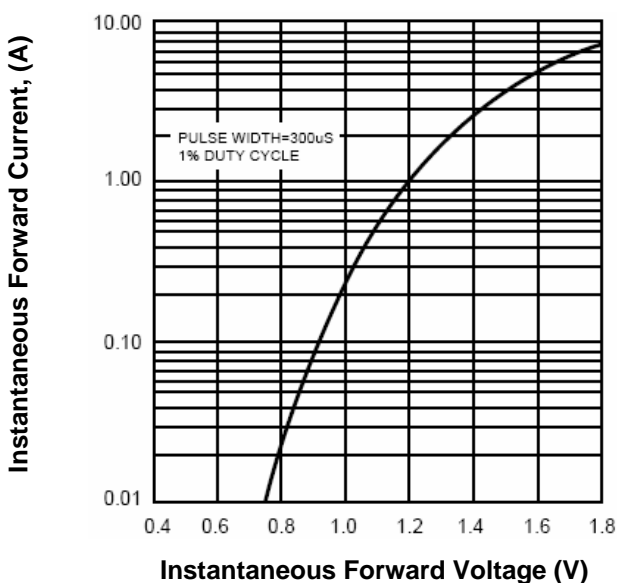
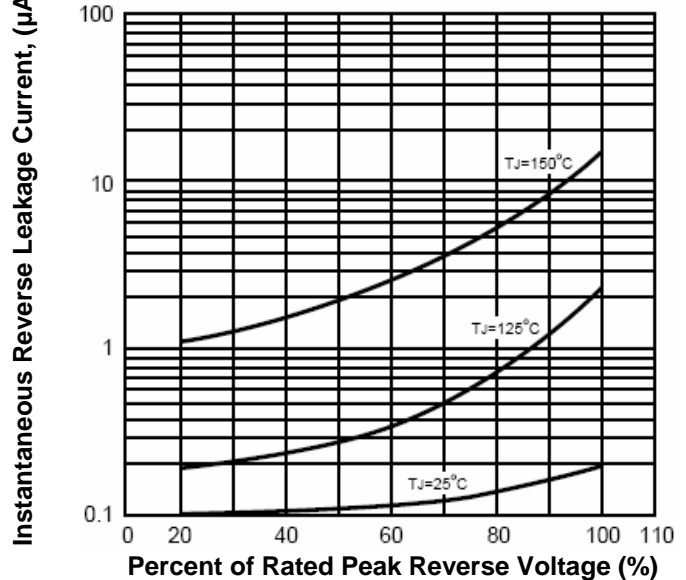
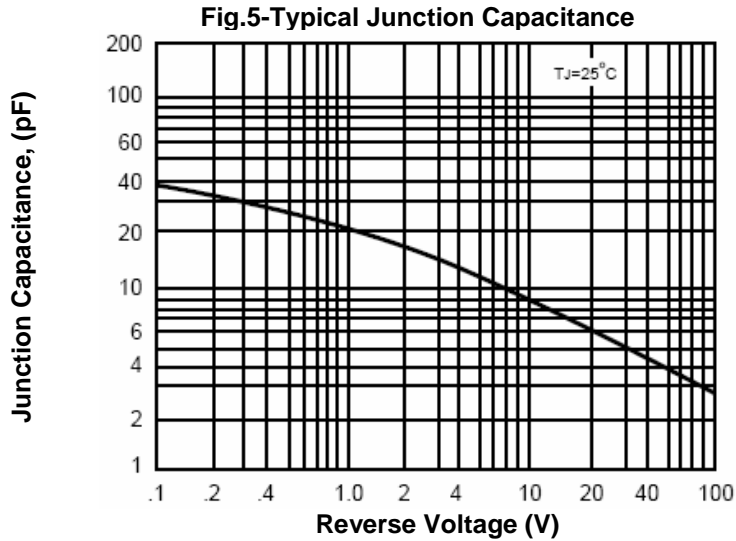


Fig.4- Typical Reverse Characteristics

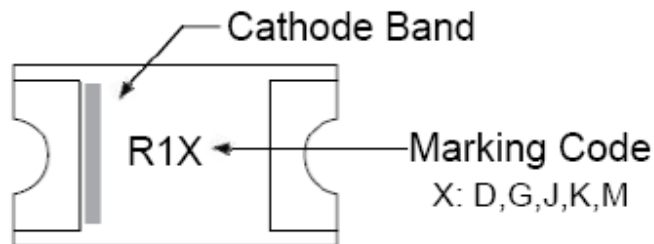


1.0A Sintered Glass Passivated Fast Recovery Rectifier

TCDR1DW - TCDR1MW



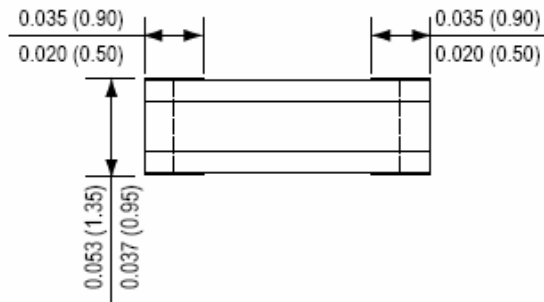
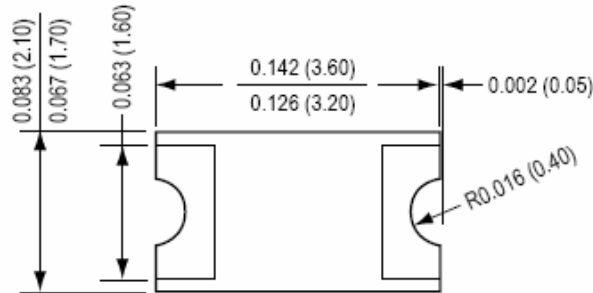
Marking Information:



1.0A Sintered Glass Passivated Fast Recovery Rectifier

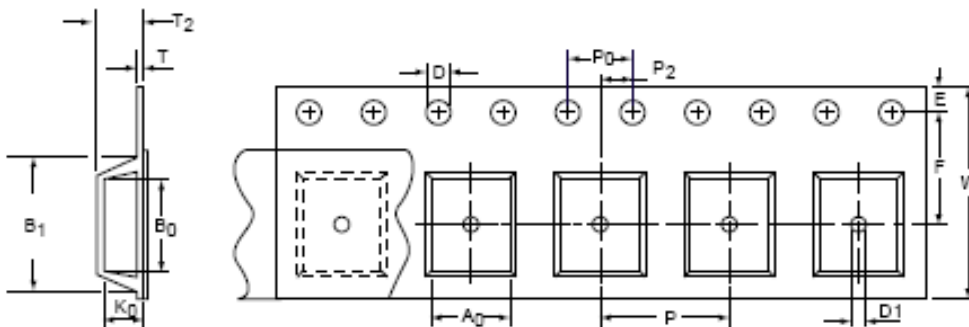
TCDR1DW - TCDR1MW

Dimensions in inches (mm)



C1206

Packing Information in mm



Product Type	D	P0	P	W	E	A0	B0
	1206	1.50±0.1	4.00±0.1	4.00±0.1	12.00±0.3	1.75±0.1	2.20±0.1
1206	B1	T	T2	D1	F	K0	P2
	8.20max.	0.40max.	1.75±0.1	1.50min.	5.50±0.05	1.28±0.1	2.0±0.1

1.0A Sintered Glass Passivated Fast Recovery Rectifier

TCDR1DW - TCDR1MW

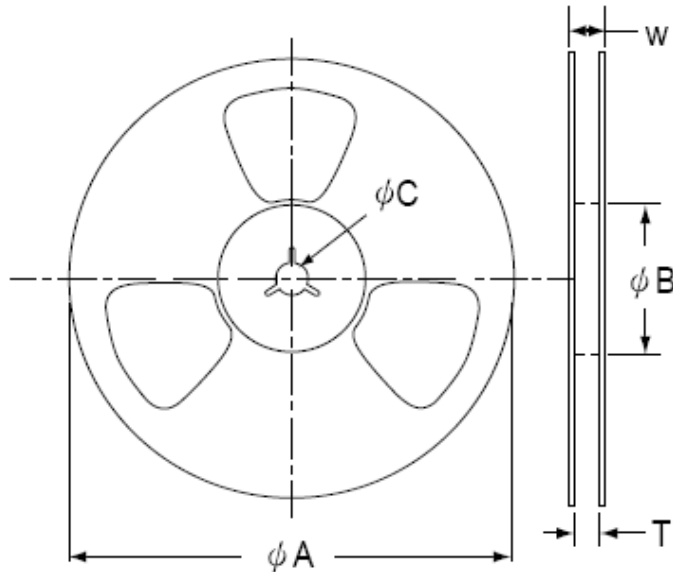
Packing Quantity Information:

Quantity	PCS per Reel	PCS per Carton
-TR70 Tape & Reel	3000	90000

Carton Size Information:

-TR70 Tape & Reel
400X207X240 (in mm)

Reel Dimensions in mm



ϕA	ϕB	ϕC	W	T
178 \pm 2.0	50min.	13.0 \pm 0.5	18.7max.	14.4max.

1.0A Sintered Glass Passivated Fast Recovery Rectifier

TCDR1DW - TCDR1MW

How to contact us:

US HEADQUARTERS

28040 WEST HARRISON PARKWAY, VALENCIA, CA 91355-4162

Tel: (800) TAITRON (800) 824-8766 (661) 257-6060

Fax: (800) TAITFAX (800) 824-8329 (661) 257-6415

Email: taitron@taitroncomponents.com

Http://www.taitroncomponents.com

TAITRON COMPONENTS MEXICO, S.A .DE C.V.

BOULEVARD CENTRAL 5000 INTERIOR 5 PARQUE INDUSTRIAL ATITALAQUIA, HIDALGO C.P.
42970 MEXICO

Tel: +52-55-5560-1519

Fax: +52-55-5560-2190

TAITRON COMPONENTS INCORPORATED REPRESENTAÇÕES DO BRASIL LTDA

RUA DOMINGOS DE MORAIS, 2777, 2.ANDAR, SALA 24 SAÚDE - SÃO PAULO-SP 04035-001 BRAZIL

Tel: +55-11-5574-7949

Fax: +55-11-5572-0052

TAITRON COMPONENTS INCORPORATED, SHANGHAI REPRESENTATIVE OFFICE

METROBANK PLAZA, 1160 WEST YAN' AN ROAD, SUITE 1503, SHANGHAI, 200052, CHINA

Tel: +86-21-5424-9942

Fax: +86-21-5424-9931