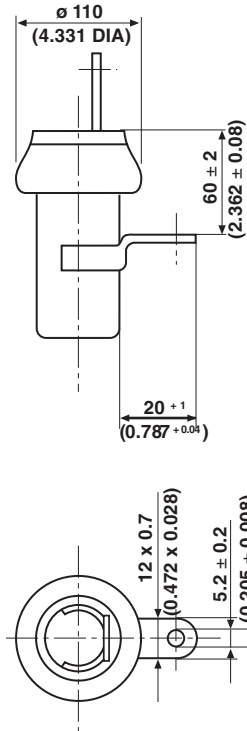
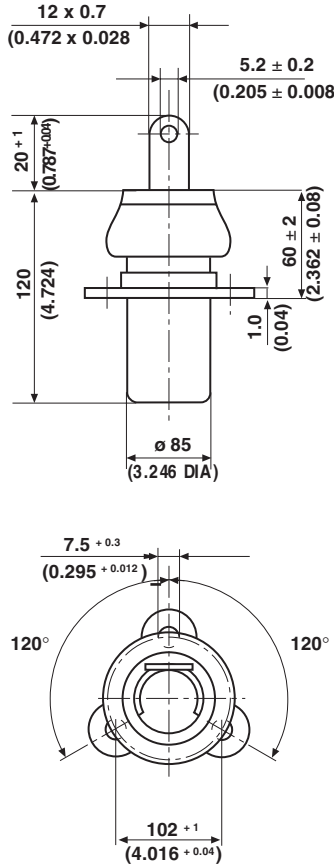


Pot Capacitors, Tag & Flange Mounting

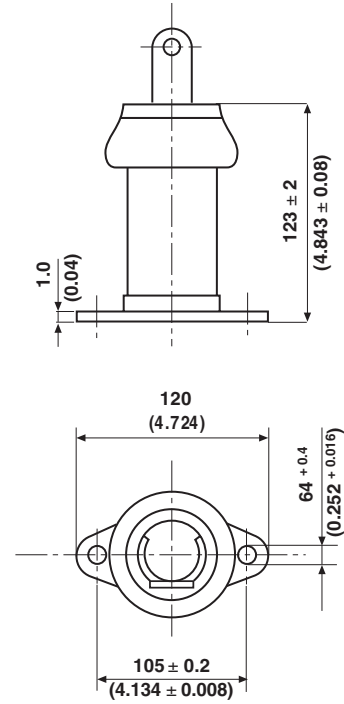
TA 10KV_p to 15 KV_p



TB 10 KV_p to 15 KV_p



TE 10 KV_p to 15 KV_p



• Dimensions in millimeters (inches)

MATERIAL:

Capacitor elements made from Class 1 ceramic dielectric with noble metal electrodes.
 Connection Terminals: Copper/brass, silver plated.

MARKING:

Type designator, Capacitance value and tolerance, Rated voltage (peak value), Production date code, Ceramic material code, DRALORIC Logo.

FINISH:

Noble metal electrodes completely lacquered. Insulating rim glazed.

ORDERING INFORMATION				
MODEL	RATED VOLTAGE	CAPACITANCE VALUE	TOLERANCE	CERAMIC
TB 085120	12 KV _p	800 pF	± 10 %	R 85



T. 085120				
CERAMIC	CAPACITANCE VALUE [pF]	RATED VOLTAGE [KV_P]	RATED POWER [KVA_r]	RATED CURRENT [A_{RM}s]
R 7	100	15	56	15
	160			
	250	12		
	400	10		
R 42	500	15	70	15
	600			
	800	12		
	1000			
R 85	1600	15	70	15
	2000	13		
	2500	12		
	4000	10		

CAPACITANCE TOLERANCES: ± 20 %, ± 10 %, ± 5 %.

Other capacitance values and tolerances are available on request.



Disclaimer

All product specifications and data are subject to change without notice.

Vishay Intertechnology, Inc., its affiliates, agents, and employees, and all persons acting on its or their behalf (collectively, "Vishay"), disclaim any and all liability for any errors, inaccuracies or incompleteness contained herein or in any other disclosure relating to any product.

Vishay disclaims any and all liability arising out of the use or application of any product described herein or of any information provided herein to the maximum extent permitted by law. The product specifications do not expand or otherwise modify Vishay's terms and conditions of purchase, including but not limited to the warranty expressed therein, which apply to these products.

No license, express or implied, by estoppel or otherwise, to any intellectual property rights is granted by this document or by any conduct of Vishay.

The products shown herein are not designed for use in medical, life-saving, or life-sustaining applications unless otherwise expressly indicated. Customers using or selling Vishay products not expressly indicated for use in such applications do so entirely at their own risk and agree to fully indemnify Vishay for any damages arising or resulting from such use or sale. Please contact authorized Vishay personnel to obtain written terms and conditions regarding products designed for such applications.

Product names and markings noted herein may be trademarks of their respective owners.