



APS3623

1 GHz Three-way Active Power Splitter
Optimized for MoCA-Enabled
Subscriber Equipment
PRELIMINARY DATA SHEET - Rev 1.1

FEATURES

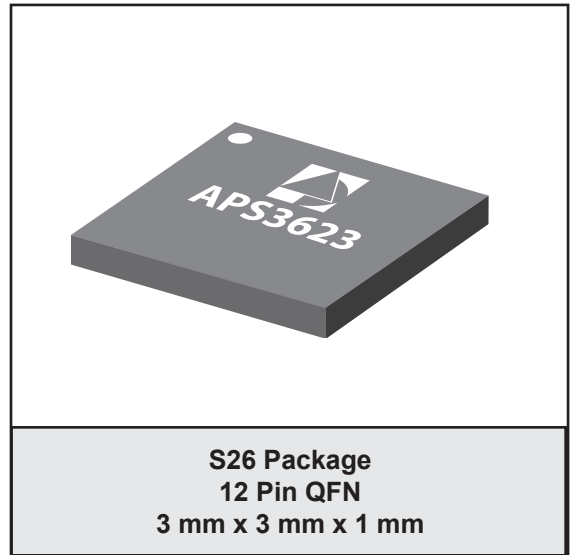
- Single Input, Triple Output Design
- Gain profile compensates for inband MoCA line filter attenuation
- Wideband Operation to 1 GHz
- Supports both Analog TV and Digital TV Lineups
- Nominal 5 dB Gain
- 4.5 dB Typical Noise Figure
- Single +5 V Supply
- Current adjust pin for optimizing distortion performance
- High Linearity, Low Distortion
- Single-Ended 75 Ohm Inputs/Outputs
- Materials set consistent with RoHS directives

APPLICATIONS

- Analog/Digital and All-Digital CATV Set-Top Boxes with Multiple Tuners and Multimedia over Coax Alliance (MoCA) Functionality
- Multiple-Tuner TVs, TV Tuner Cards and Broadband Media Centers

PRODUCT DESCRIPTION

This APS3623 active splitter from ANADIGICS accepts a broadband RF input from 50 MHz to 1 GHz and splits the signal to provide three broadband RF outputs with minimal degradation of quality. The single-package surface mount device amplifies the input using highly linear, low noise amplification stages, and couples the amplified signal to three separate output paths that each can drive either analog video, digital video or digital data tuners. The APS3623 offers a special



frequency/gain profile, which compensates for inband signal attenuation caused by MoCA line filters.

Requiring a single voltage supply of +5 V, the active splitter is manufactured using ANADIGICS' highly reliable GaAs MESFET process. The small surface mount QFN packaging makes this device ideal for use in today's set-top boxes, televisions and video tuner cards requiring multiple-tuner solutions.

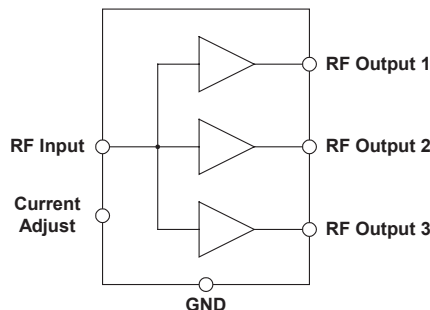


Figure 1: Functional Block Diagram

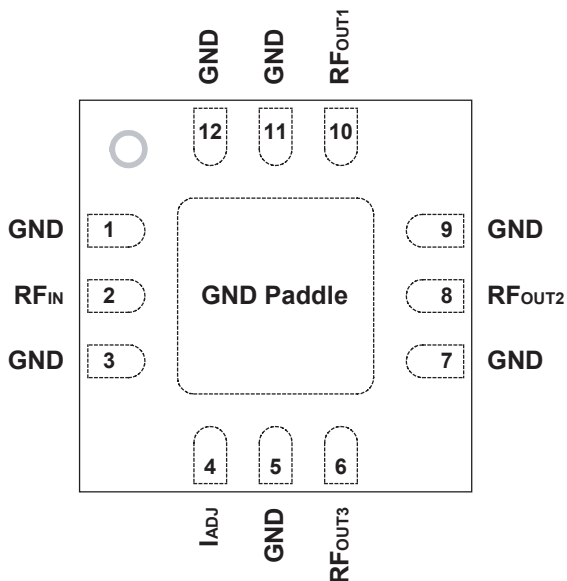


Figure 2: Pinout (X-ray Top View)

Table 1: Pin Description

PIN	NAME	DESCRIPTION
1	GND ⁽¹⁾	Ground
2	RF _{IN}	RF Input
3	GND ⁽¹⁾	Ground
4	I _{ADJ}	Current Adjust
5	GND ⁽¹⁾	Ground
6	RF _{OUT3}	RF Output 3
7	GND ⁽¹⁾	Ground
8	RF _{OUT2}	RF Output 2
9	GND ⁽¹⁾	Ground
10	RF _{OUT1}	RF Output 1
11	GND ⁽¹⁾	Ground
12	GND ⁽¹⁾	Ground

Note: (1) The only circuit ground required is the GND paddle. Pins 1, 3, 5, 7, 9, 11, and 12 are not connected internally and can be left floating, if preferred.

ELECTRICAL CHARACTERISTICS

Table 2: Absolute Minimum and Maximum Ratings

PARAMETER	MIN	MAX	UNIT	COMMENTS
Supply Voltage (V_{CC})	0	+8	V	
RF Input Power	-	+40	dBmV	per channel 132 channel loading
ESD Rating	500 1000	- -	V	Human Body Model, Class 1B Charged Device Model, Class 3
MSL Level	MSL-1	-	-	

Stresses in excess of the absolute ratings may cause permanent damage. Functional operation is not implied under these conditions. Exposure to absolute ratings for extended periods of time may adversely affect reliability.

Table 3: Operating Ranges

PARAMETER	MIN	TYP	MAX	UNIT	COMMENTS
Operating Frequency (f)	50	-	1002	MHz	
Supply Voltage (V_{CC})	4.75	5	5.25	V	
RF Input Power (P_{IN})	-	-	+18	dBmV	per channel
Case Temperature (T_C)	-5	-	+85	°C	no damage to device operating over -30 to +95 °C range

The device may be operated safely over these conditions; however, parametric performance is guaranteed only over the conditions defined in the electrical specifications.

Table 4: Electrical Specifications
 (T_{AMB} = +25 °C, V_{CC} = +5 V, I_{CC} = 140 mA, 75 Ω system, ref. Figure 2)

PARAMETER	MIN	TYP	MAX	UNIT	COMMENTS
Gain at 55 MHz	3.9	-	-	dB	
Gain at 100 MHz	-	5.0	-	dB	
Gain at 1002 MHz	5.2	6.0	-	dB	
Noise Figure	-	4.5	-	dB	
CTB ⁽¹⁾	-	-77	-66	dBc	
CSO ⁽¹⁾	-	-65	-64	dBc	
XMOD ⁽¹⁾	-	-72	-	dBc	
RF Isolation Input-Output Output-Output	- - -	21 22	- -	dB	
Input Return Loss	-	-15	-	dB	
Current Consumption (I _{CC})	110	140	170	mA	

Notes:

(1) 132 channels, +15 dBmV input per channel.

Figure 5: Gain vs Frequency ⁽¹⁾

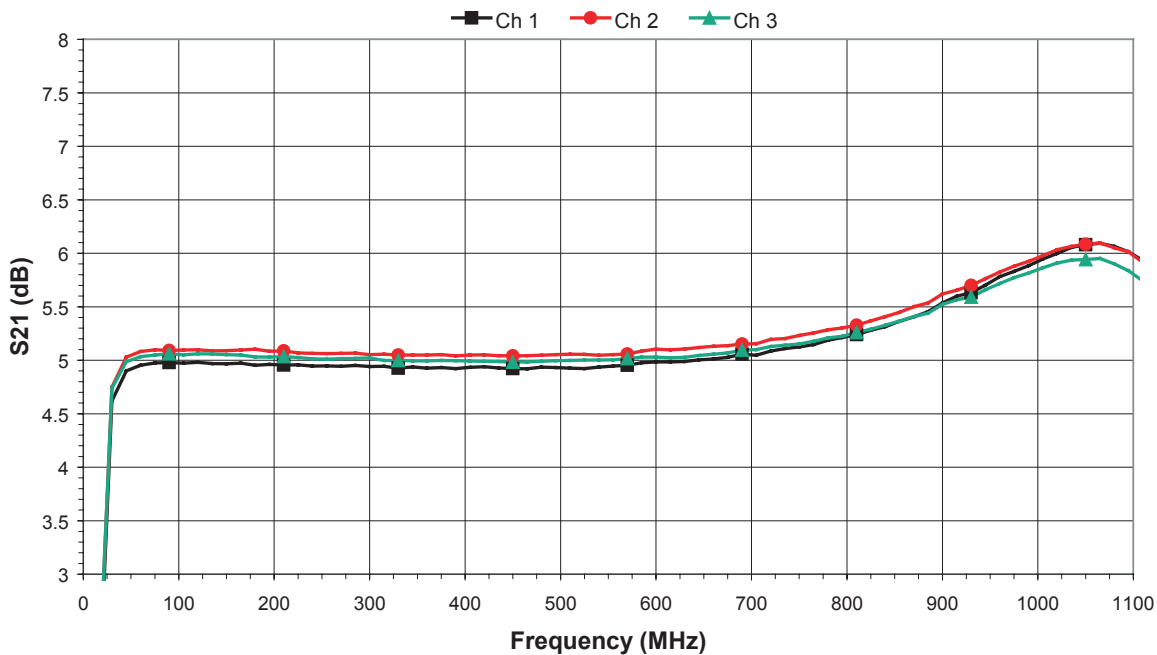


Figure 6: Input Return Loss vs Frequency ⁽¹⁾

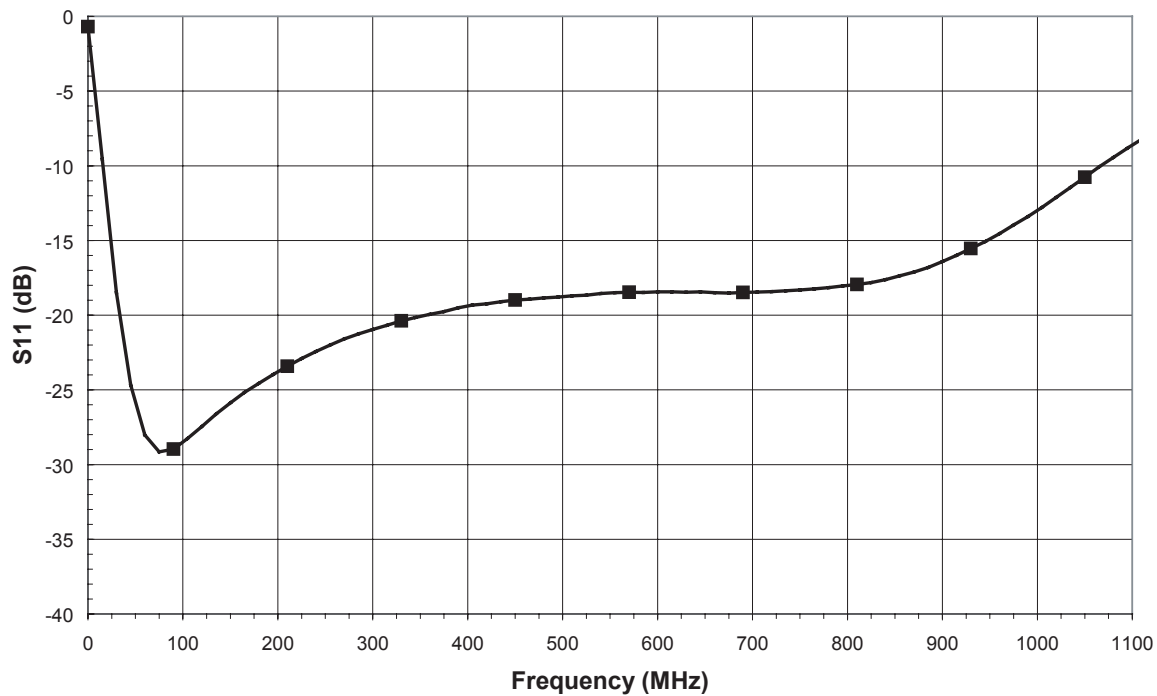


Figure 7: Output Return Loss vs Frequency ⁽¹⁾

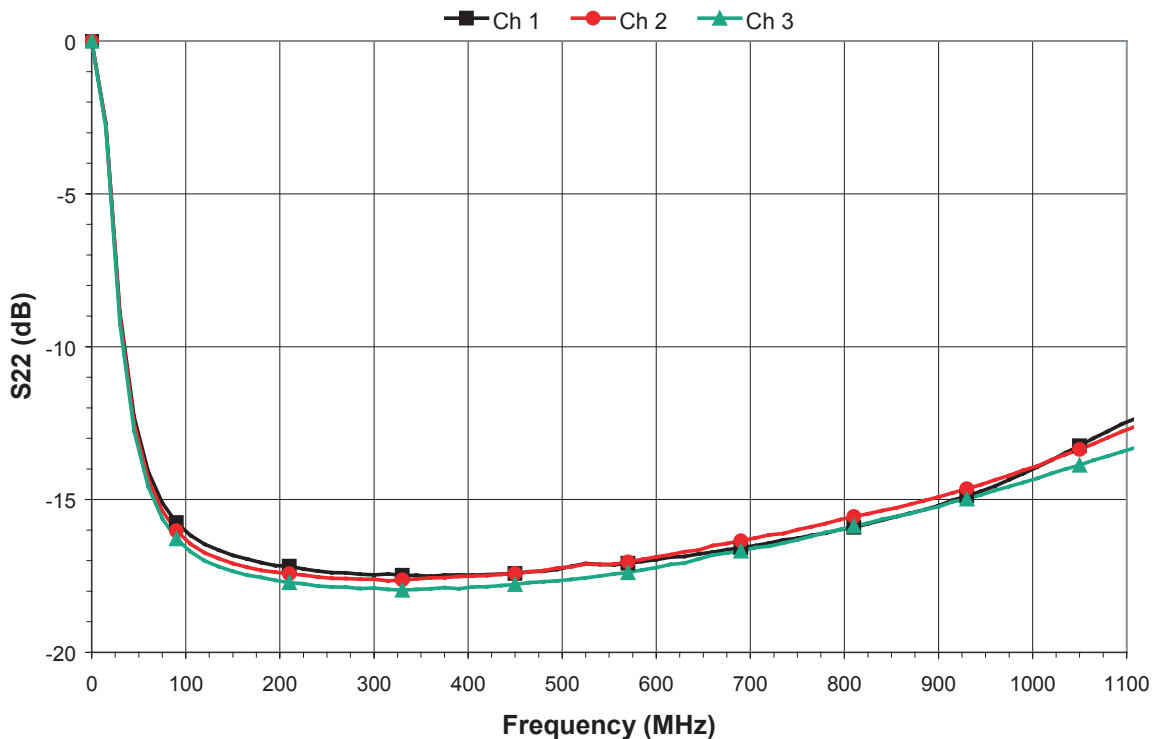


Figure 8: Reverse Isolation vs Frequency ⁽¹⁾

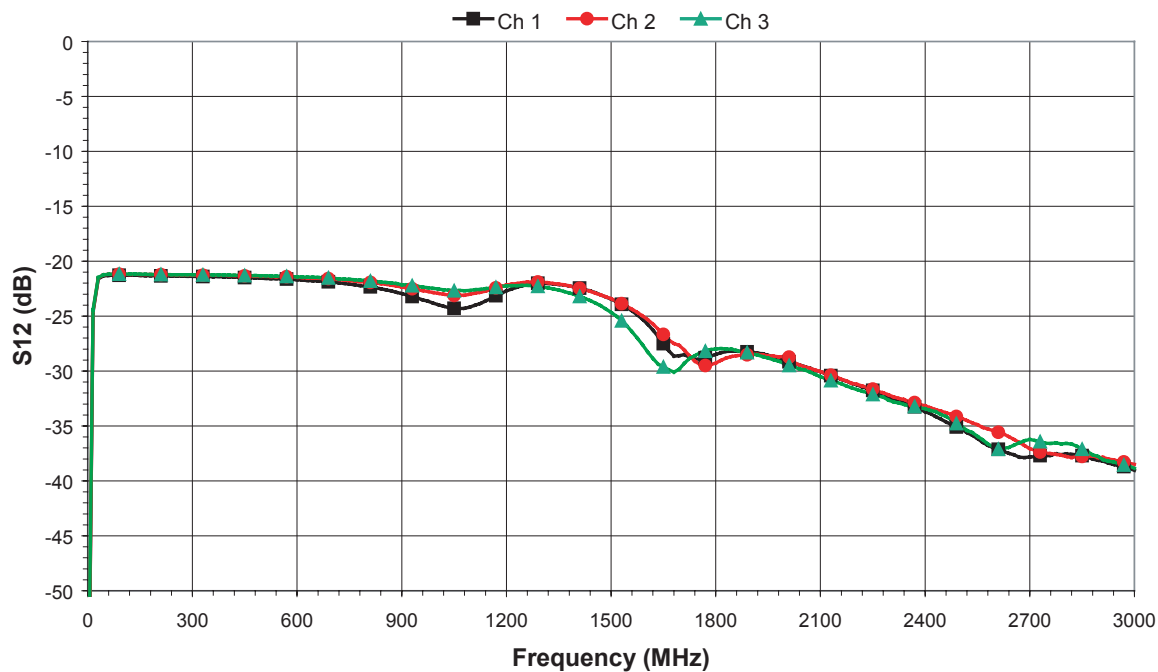


Figure 9: CSO vs Frequency ⁽²⁾

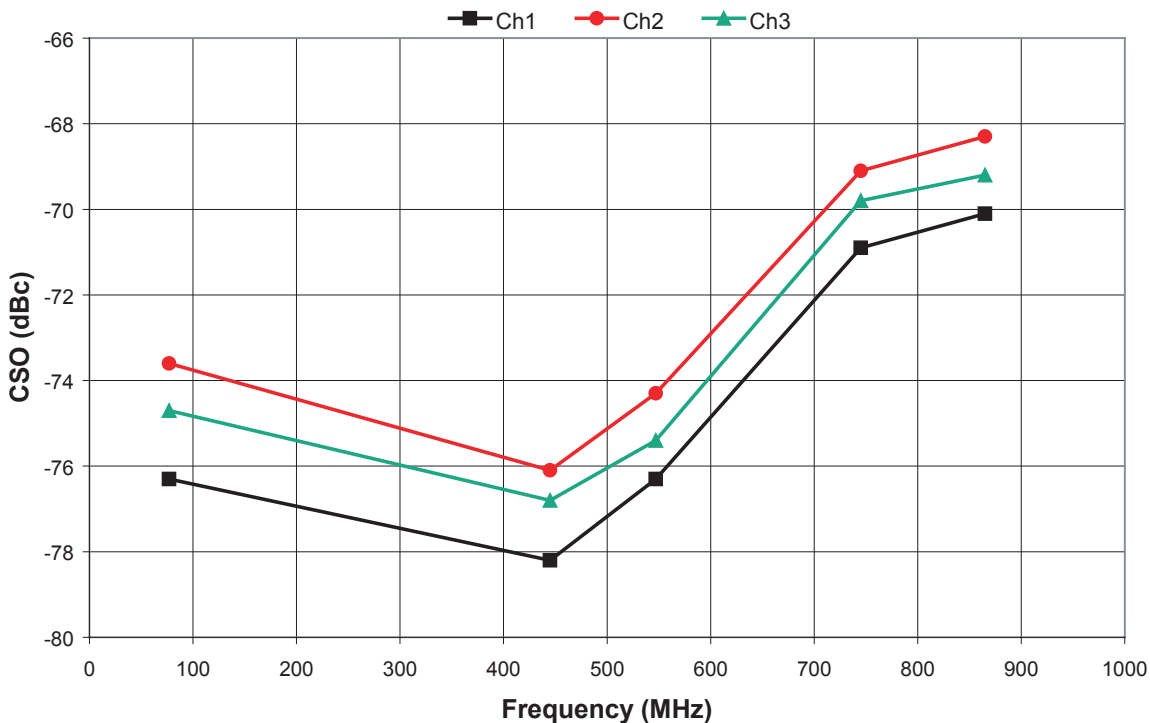


Figure 10: CTB vs Frequency ⁽²⁾

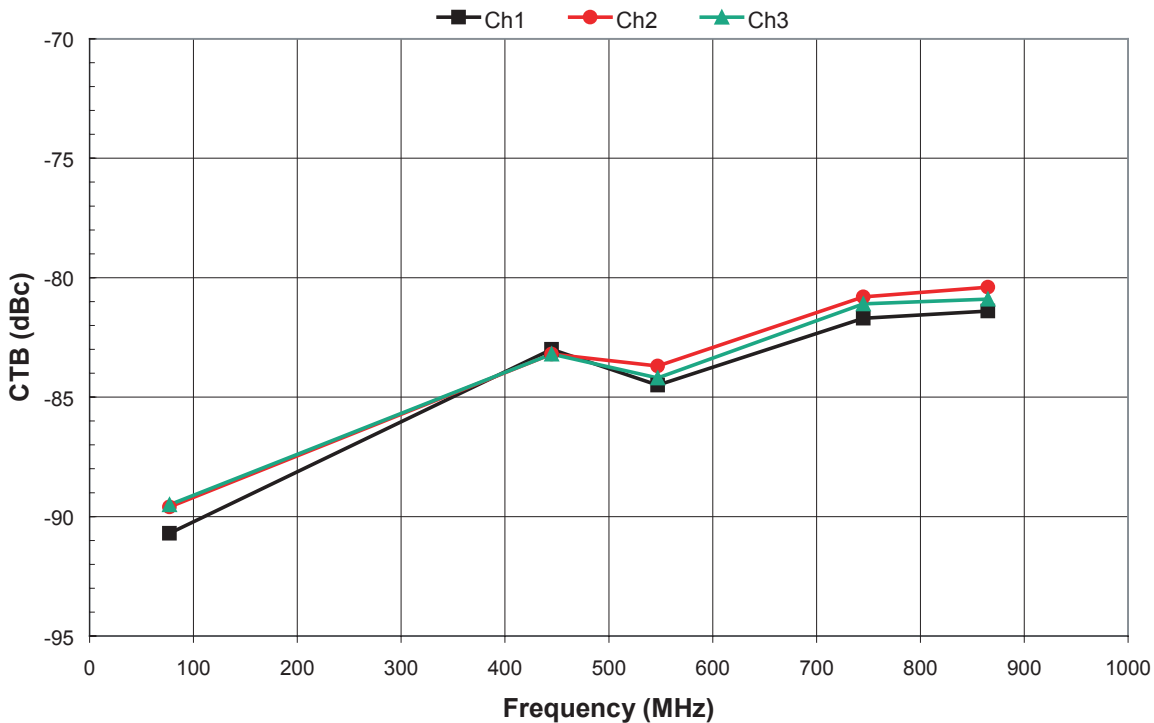


Figure 11: XMOD vs Frequency ⁽²⁾

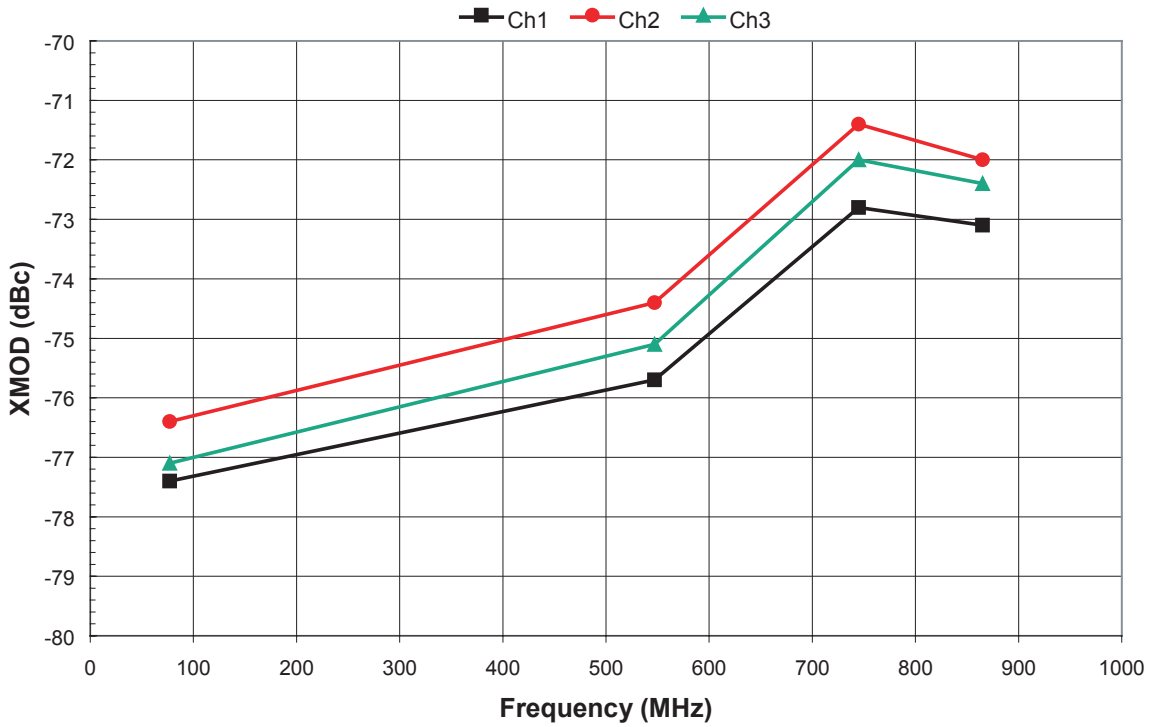


Figure 12: Noise Figure vs Frequency ⁽²⁾

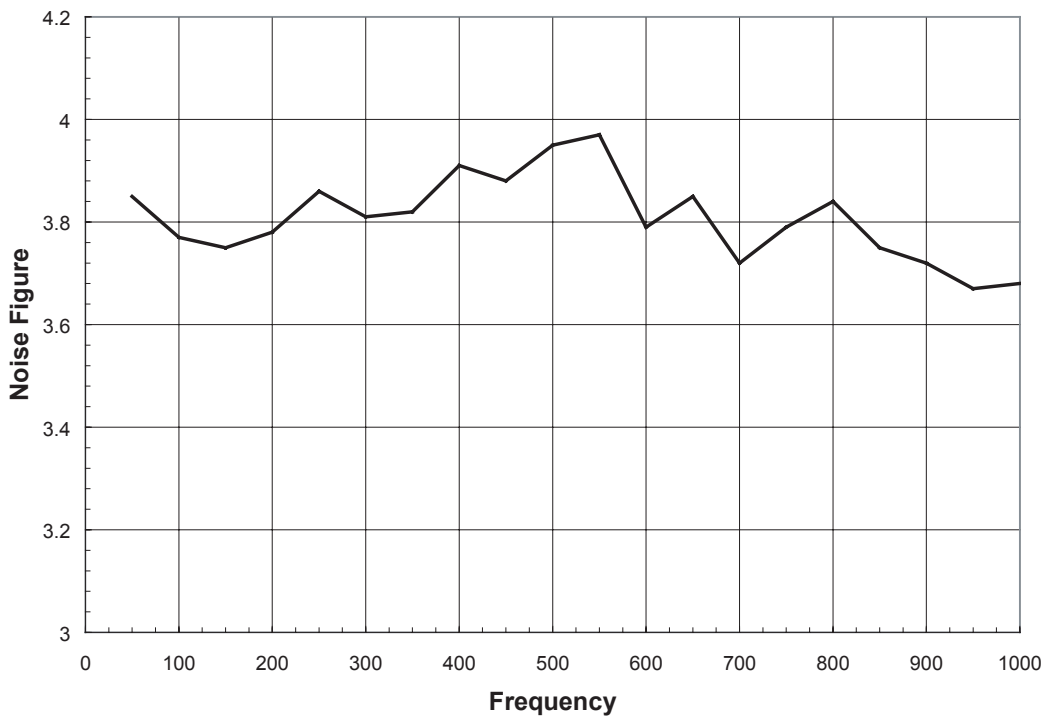
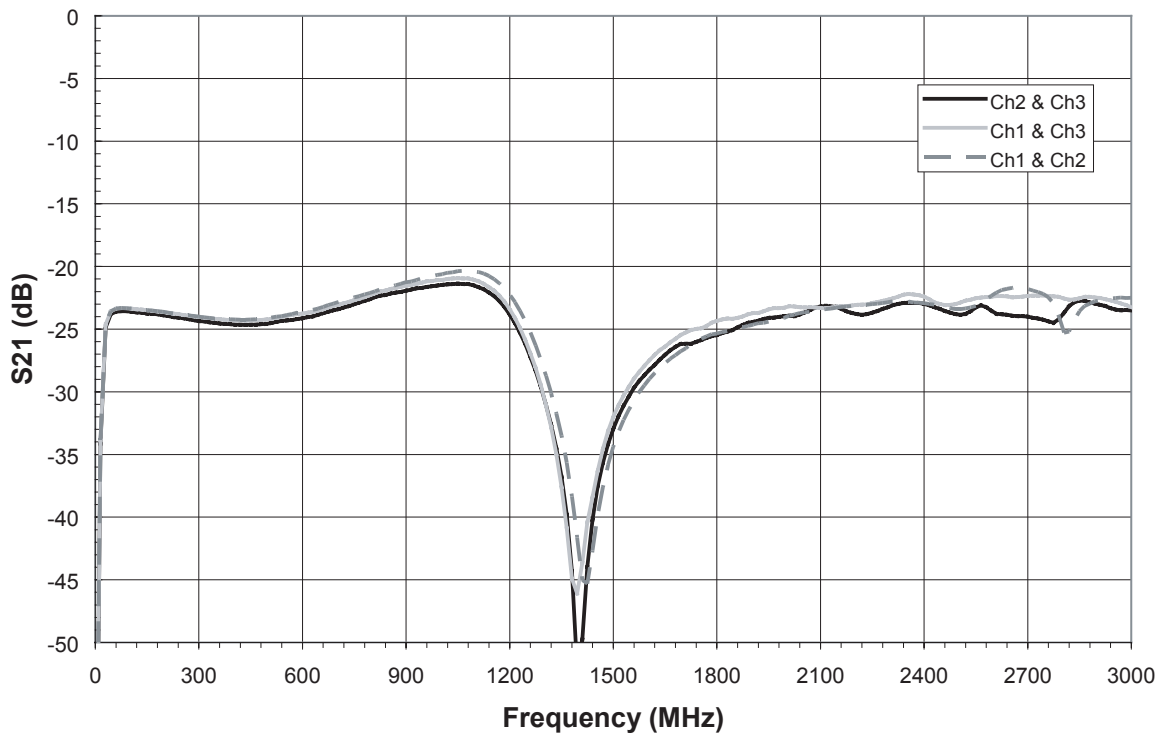


Figure 13: Output Port-to-Port Isolation vs Frequency ⁽²⁾



Notes:

(1) Test Condition: $T_{AMB} = +25\text{ }^{\circ}\text{C}$, $V_{CC} = +5\text{ V}$

(2) Test Condition: 132 Channels, 0 dB Tilt, +15 dBmV input power, $T_{AMB} = +25\text{ }^{\circ}\text{C}$, $V_{CC} = +5\text{ V}$

APPLICATION INFORMATION

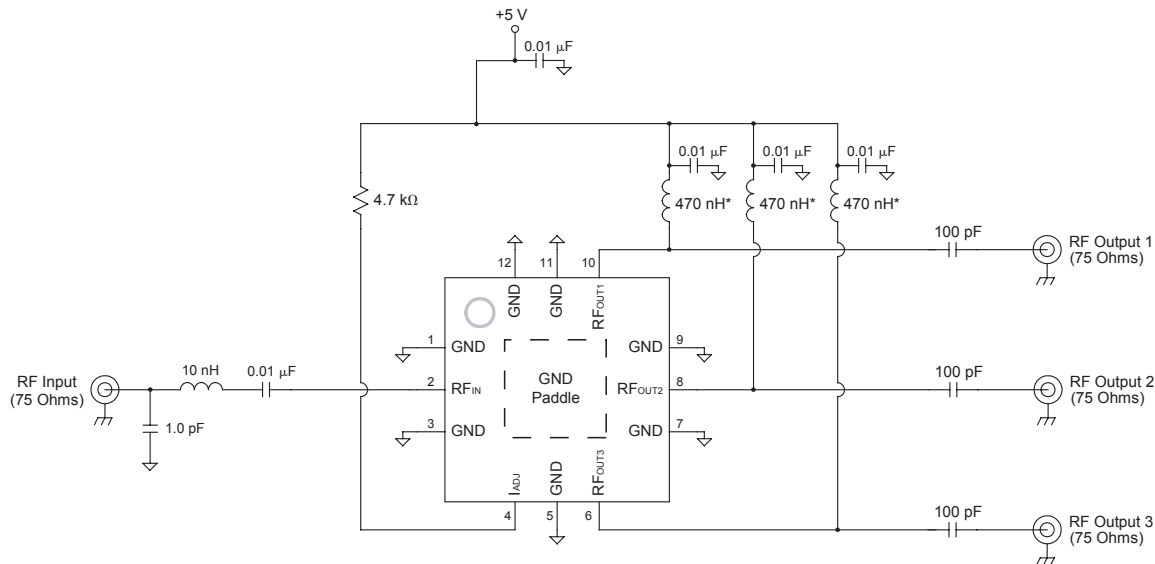
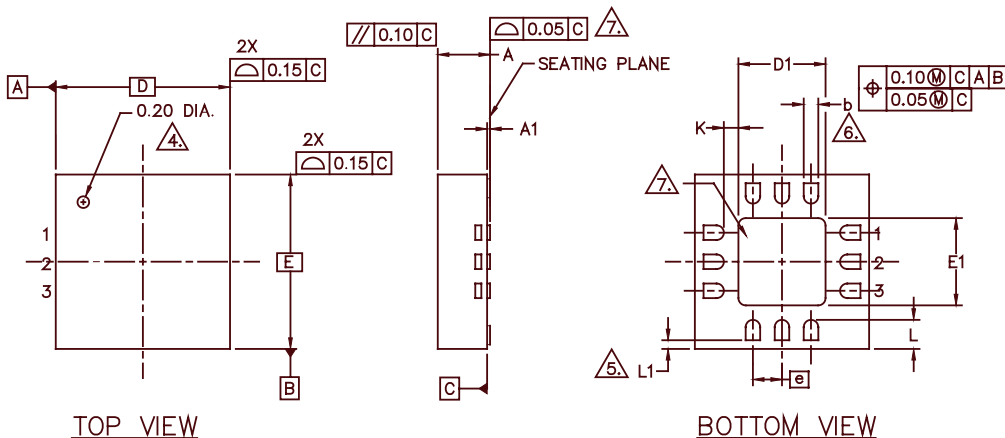
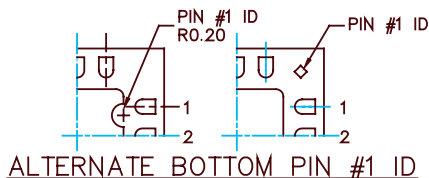


Figure 3: Application Circuit

Note:

1. *560 nH inductors may be substituted with a slight change in return loss.

PACKAGE OUTLINE



NOTES :

1. ALL DIMENSIONS ARE IN MILLIMETERS.
 2. MAX. PACKAGE WARPAGE IS 0.05 mm.
 3. MAXIMUM ALLOWABLE BURRS IS 0.076 mm IN ALL DIRECTIONS.
4. PIN #1 ID ON TOP WILL BE LASER MARKED.
5. A MAXIMUM 0.15mm PULL BACK (L1) MAYBE PRESENT. L MINUS L1 TO BE EQUAL TO OR GREATER THAN 0.30mm.
6. DIMENSION b APPLIES TO METALLIZED TERMINAL AND IS MEASURED BETWEEN 0.15 AND 0.30mm FROM TERMINAL TIP. IF THE TERMINAL HAS THE OPTIONAL RADIUS ON THE OTHER END OF THE TERMINAL, THE DIMENSION b SHOULD NOT BE MEASURED IN THAT RADIUS AREA.
7. BILATERAL COPLANARITY ZONE APPLIES TO THE EXPOSED HEAT SINK SLUG AS WELL AS THE TERMINALS.
8. REFERENCE JEDEC OUTLINE MO-220.

S V g	DIMENSIONS—MM		N _o T E	S V g	DIMENSIONS—INCHES		N _o T E
	MIN.	MAX.			MIN.	MAX.	
A	0.80	1.00		A	0.031	0.039	
A1	0.00	0.05		A1	0.000	0.001	
b	0.18	0.30		b	0.007	0.011	
D	3.00 BSC			D	0.118 BSC		
D1	1.30	1.70		D1	0.051	0.067	
E	3.00 BSC			E	0.118 BSC		
E1	1.30	1.70		E1	0.051	0.067	
g	0.50 BSC			g	0.019 BSC		
K	0.20 MIN.			K	0.007 MIN.		
L	0.35	0.55		L	0.014	0.022	
L1	0.15 MAX.			L1	0.006 MAX.		

Figure 4: S26 Package Outline - 12 Pin 3 mm x 3 mm x 1 mm QFN

ORDERING INFORMATION

ORDER NUMBER	TEMPERATURE RANGE	PACKAGE DESCRIPTION	COMPONENT PACKAGING
APS3623RS26Q1	-5 °C to +85 °C	12 Pin 3 mm x 3 mm x 1 mm QFN Package	Tape and Reel, 1000 pieces per Reel



ANADIGICS, Inc.

141 Mount Bethel Road
Warren, New Jersey 07059, U.S.A.
Tel: +1 (908) 668-5000
Fax: +1 (908) 668-5132

URL: <http://www.anadigics.com>
E-mail: Mktg@anadigics.com

IMPORTANT NOTICE

ANADIGICS, Inc. reserves the right to make changes to its products or to discontinue any product at any time without notice. The product specifications contained in Advanced Product Information sheets and Preliminary Data Sheets are subject to change prior to a product's formal introduction. Information in Data Sheets have been carefully checked and are assumed to be reliable; however, ANADIGICS assumes no responsibilities for inaccuracies. ANADIGICS strongly urges customers to verify that the information they are using is current before placing orders.

WARNING

ANADIGICS products are not intended for use in life support appliances, devices or systems. Use of an ANADIGICS product in any such application without written consent is prohibited.