

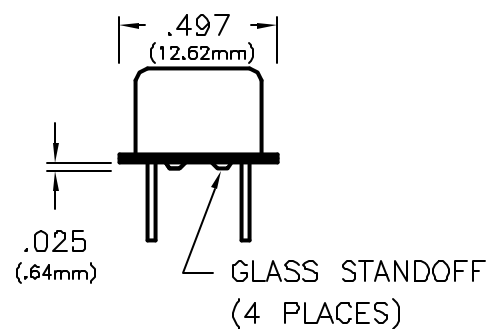
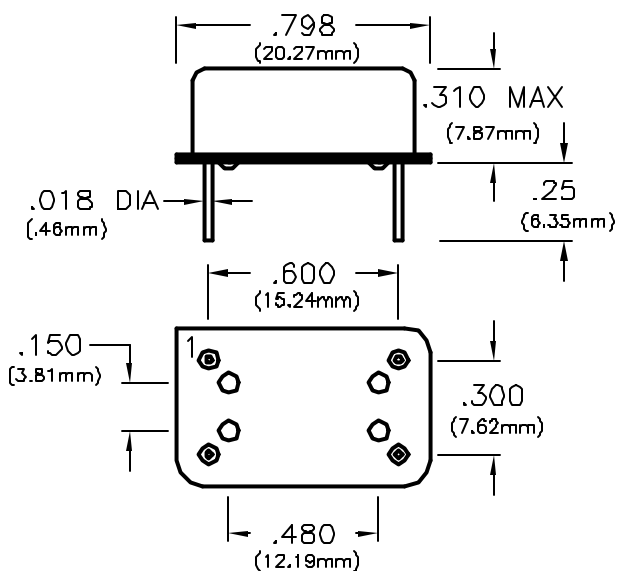
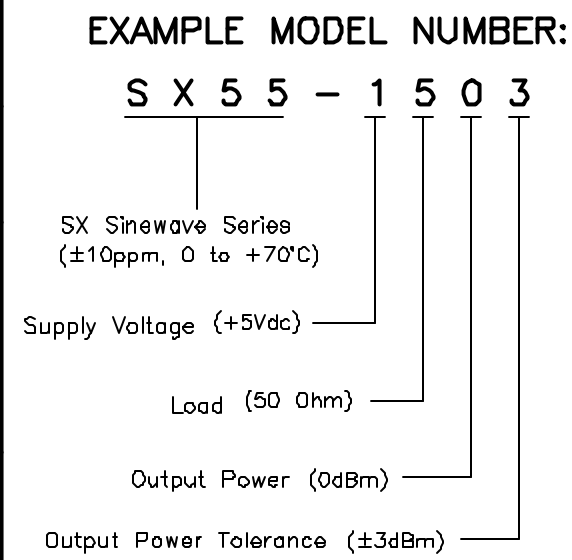


CONNOR-WINFIELD CORPORATION

AURORA, IL. 60505
 PHONE (630) 851-4722
 FAX (630) 851-5040

HIGH FREQUENCY 14 PIN DIP SINEWAVE

SPECIFICATIONS	SX55-#5**	
Frequency Range	24MHz to 225MHz	
Frequency Calibration @25°C	±5ppm	
Frequency Stability	±10ppm	
Temperature Range	0°C to +70°C	
Supply Voltage	1	+5Vdc ±5%
* - add suffix to model number	2	+12Vdc ±5%
	3	+15Vdc ±5%
Load	5	50 Ohm
	7	75 Ohm
Output Power	0	0dBm
	2	1.5dBm
	3	3dBm
	4	-5dBm
	5	7dBm
	6	10dBm
* - add suffix to model number	1	±1dBm
	2	±2dBm
	3	±3dBm
Output Power Tolerance	-25dBm Maximum , -35dBm Typical	
Total Harmonic Distortion	50mA Maximum , 25mA Typical	
Supply Current	10mS Maximum	
Start Up Time	All metal, hermetically sealed, welded package	
Package		



PIN	CONNECTION
1	GROUND (CASE)
7	GROUND (CASE)
8	OUTPUT
14	Vcc

Specifications subject to change without notice

BULLETIN #: SW026
 PAGE 1 OF 1

REV: 03
 DATE: 4/6/04

ISSUED BY: _____

Dimensional Tolerance: ±.02"
 ±.005"