



Frontier Electronics Corp.

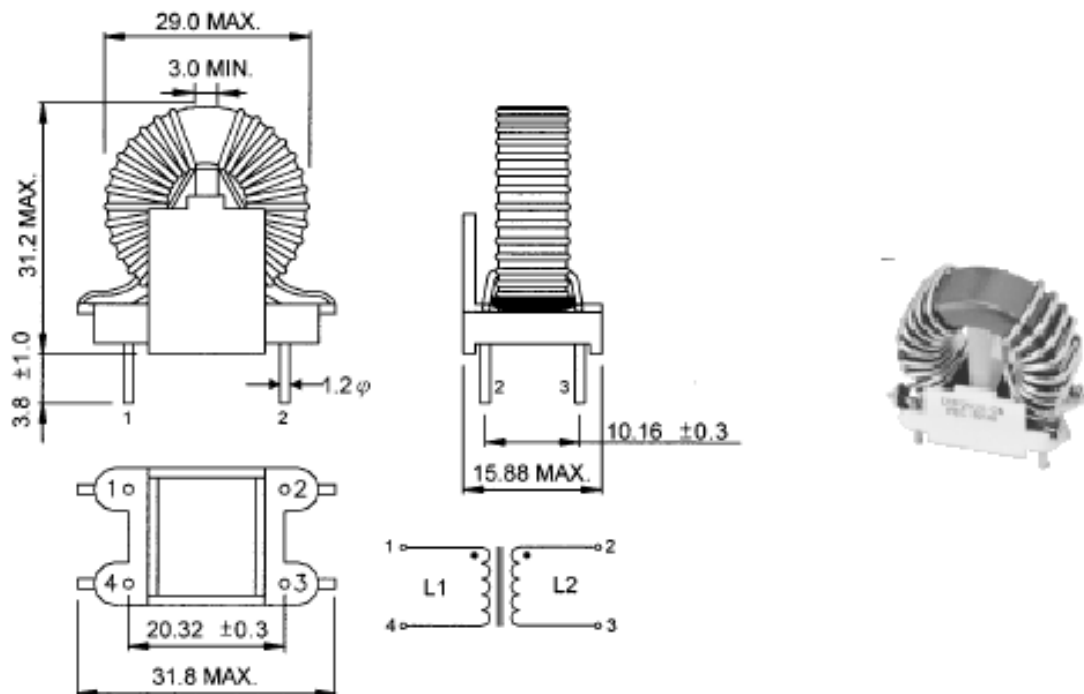
667 E. COCHRAN STREET, SIMI VALLEY, CA 93065
 TEL: (805) 522-9998 FAX: (805) 522-9989
 E-mail: frontiersales@frontierusa.com
 Web: frontierusa.com

Common Mode Line Filters—CMP2515-series

A. Specifications:

Part Number	Inductance (uH) Min.	Test Condition	DCR (OHMS) Max.	Rated Current (A) RMS.
CMP2515-01	425	100K/1.0V	0.012	8.0
CMP2515-02	275	100K/1.0V	0.008	10.0
CMP2515-03	750	100K/1.0V	0.022	5.0
CMP2515-04	1000	100K/1.0V	0.036	3.3
CMP2515-05	1700	100K/1.0V	0.065	2.0
CMP2515-06	3500	100K/1.0V	0.15	1.5

B. Mechanical Dimensions: (Unit: mm)



C. General information:

1. Electrical specifications at 25°C.
2. Temperature Rise: 40°C.
3. Operating temperature: -25°C TO + 85°C.
4. Hi-Pot Voltage: 1250VAC for one minute.

★ Custom specifications are available.

Note: **RoHS** compliant; for the **ROHS** parts, we add “-LFR” at the end of the P/N.