



SOT-323 Plastic-Encapsulated Diode

BAS19W/20W/21W SWITCHING DIODE

FEATURES

Power dissipation

$$P_D: 200 \text{ mW (Tamb=25°C)}$$

Collector current

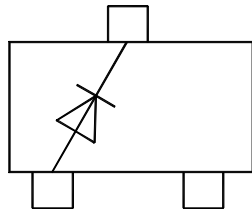
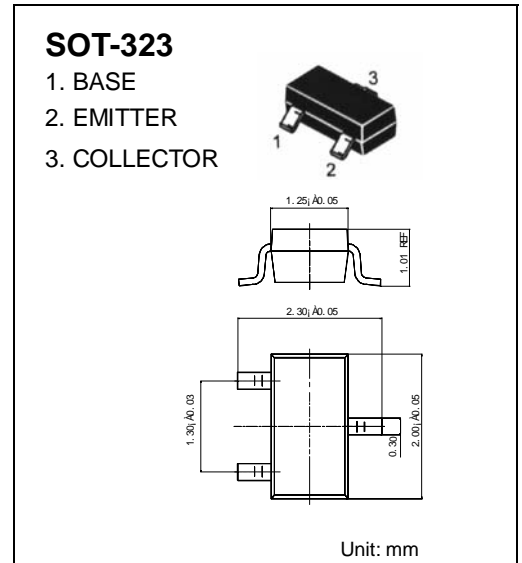
$$I_F: 200 \text{ mA}$$

Collector-base voltage

$$V_R: 19W: 120 \text{ V}; 20W: 150 \text{ V}; 21W: 200 \text{ V}$$

Operating and storage junction temperature range

$$T_J, T_{stg}: -55^\circ\text{C to } +150^\circ\text{C}$$



Marking: BAS19W KA8
BAS20W KT2
BAS21W KT3

ELECTRICAL CHARACTERISTICS (Tamb=25°C unless otherwise specified)

Parameter	Symbol	Test conditions	MIN	MAX	UNIT
Reverse breakdown voltage BAS19W BAS20W BAS21W	$V_{(BR)R}$	$I_R = 100\mu\text{A}$	100 150 200		V
Reverse voltage leakage current BAS19W BAS20W BAS21W	I_R	100V $V_R = 150\text{V}$ 200V		0.1	μA
Forward voltage	V_F	$I_F = 100\text{mA}$ $I_F = 200\text{mA}$		1000 1250	mV
Diode capacitance	C_D	$V_R = 0\text{V}, f = 1\text{MHz}$		5	pF
Reverse recovery time	t_{rr}	$I_F = I_R = 30\text{mA}$ $I_{rr} = 0.1 \times I_R$		50	nS