



PCA9544A

4-channel I²C-bus multiplexer with interrupt logic

Rev. 03 — 24 November 2008

Product data sheet

1. General description

The PCA9544A is a 1-of-4 bidirectional translating multiplexer, controlled via the I²C-bus. The SCL/SDA upstream pair fans out to four SCx/SDx downstream pairs, or channels. Only one SCx/SDx channel is selected at a time, determined by the contents of the programmable control register. Four interrupt inputs, $\overline{\text{INT}}0$ to $\overline{\text{INT}}3$, one for each of the SCx/SDx downstream pairs, are provided. One interrupt output, $\overline{\text{INT}}$, which acts as an AND of the four interrupt inputs, is provided.

A power-on reset function puts the registers in their default state and initializes the I²C-bus state machine with no channels selected.

The pass gates of the multiplexer are constructed such that the V_{DD} pin can be used to limit the maximum high voltage which will be passed by the PCA9544A. This allows the use of different bus voltages on each SCx/SDx pair, so that 1.8 V, 2.5 V or 3.3 V parts can communicate with 5 V parts without any additional protection. External pull-up resistors pull the bus up to the desired voltage level for each channel. All I/O pins are 5 V tolerant.

2. Features

- 1-of-4 bidirectional translating multiplexer
- I²C-bus interface logic; compatible with SMBus
- 4 active LOW interrupt inputs
- Active LOW interrupt output
- 3 address pins allowing up to 8 devices on the I²C-bus
- Channel selection via I²C-bus
- Power-up with all multiplexer channels deselected
- Low R_{on} switches
- Allows voltage level translation between 1.8 V, 2.5 V, 3.3 V and 5 V buses
- No glitch on power-up
- Supports hot insertion
- Low standby current
- Operating power supply voltage range of 2.3 V to 5.5 V
- 5 V tolerant Inputs
- 0 Hz to 400 kHz clock frequency
- ESD protection exceeds 2000 V HBM per JESD22-A114, 200 V MM per JESD22-A115 and 1000 V CDM per JESD22-C101
- Latch-up testing is done to JEDEC Standard JESD78 which exceeds 100 mA
- Three packages offered: SO20, TSSOP20 and HVQFN20

3. Ordering information

Table 1. Ordering information

| Type number | Package | | |
|-------------|---------|--|----------|
| | Name | Description | Version |
| PCA9544AD | SO20 | plastic small outline package; 20 leads; body width 7.5 mm | SOT163-1 |
| PCA9544APW | TSSOP20 | plastic thin shrink small outline package; 20 leads; body width 4.4 mm | SOT360-1 |
| PCA9544ABS | HVQFN20 | plastic thermal enhanced very thin quad flat package; no leads; 20 terminals; body 5 × 5 × 0.85 mm | SOT662-1 |

3.1 Ordering options

Table 2. Ordering options

| Type number | Topside mark | Temperature range |
|-------------|--------------|-------------------|
| PCA9544AD | PCA9544AD | −40 °C to +85 °C |
| PCA9544APW | PA9544A | −40 °C to +85 °C |
| PCA9544ABS | 9544A | −40 °C to +85 °C |

4. Block diagram

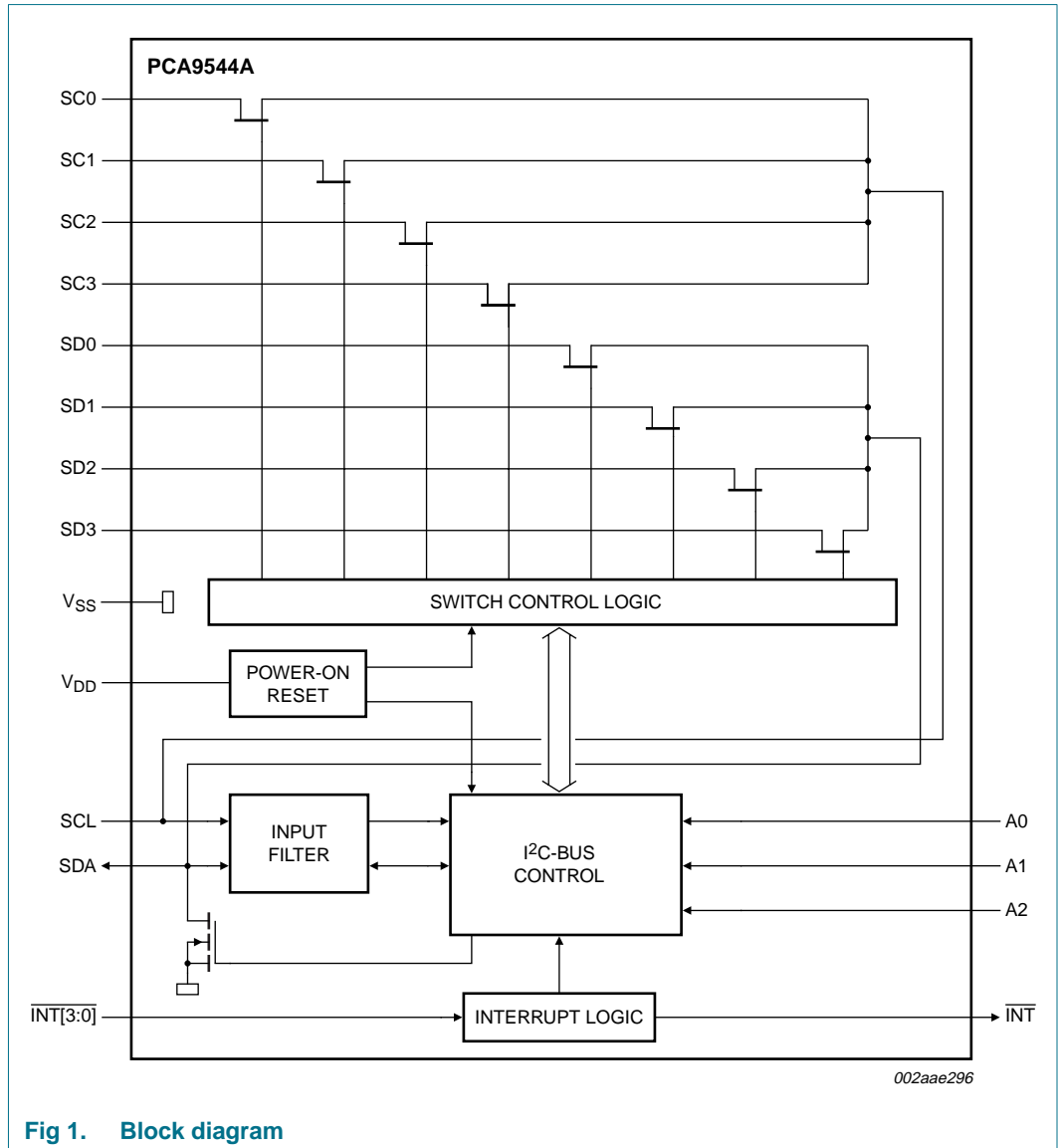


Fig 1. Block diagram

5. Pinning information

5.1 Pinning

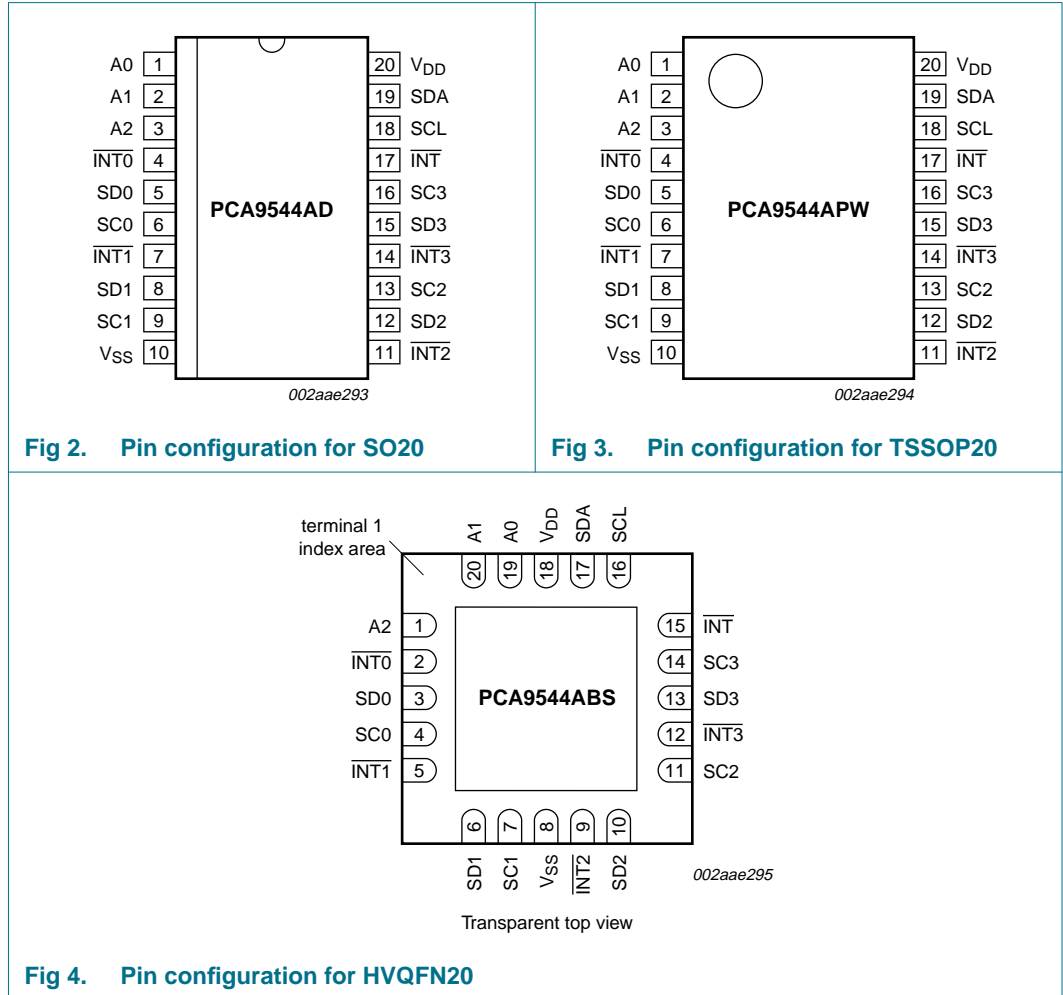


Fig 2. Pin configuration for SO20

Fig 3. Pin configuration for TSSOP20

Fig 4. Pin configuration for HVQFN20

5.2 Pin description

Table 3. Pin description

| Symbol | Pin | | Description |
|--------------------------|---------------|------------------|------------------------------|
| | SO20, TSSOP20 | HVQFN20 | |
| A0 | 1 | 19 | address input 0 |
| A1 | 2 | 20 | address input 1 |
| A2 | 3 | 1 | address input 2 |
| $\overline{\text{INT}}0$ | 4 | 2 | active LOW interrupt input 0 |
| SD0 | 5 | 3 | serial data 0 |
| SC0 | 6 | 4 | serial clock 0 |
| $\overline{\text{INT}}1$ | 7 | 5 | active LOW interrupt input 1 |
| SD1 | 8 | 6 | serial data 1 |
| SC1 | 9 | 7 | serial clock 1 |
| V _{SS} | 10 | 8 ^[1] | supply ground |
| $\overline{\text{INT}}2$ | 11 | 9 | active LOW interrupt input 2 |
| SD2 | 12 | 10 | serial data 2 |
| SC2 | 13 | 11 | serial clock 2 |
| $\overline{\text{INT}}3$ | 14 | 12 | active LOW interrupt input 3 |
| SD3 | 15 | 13 | serial data 3 |
| SC3 | 16 | 14 | serial clock 3 |
| $\overline{\text{INT}}$ | 17 | 15 | active LOW interrupt output |
| SCL | 18 | 16 | serial clock line |
| SDA | 19 | 17 | serial data line |
| V _{DD} | 20 | 18 | supply voltage |

- [1] HVQFN20 package supply ground is connected to both V_{SS} pin and exposed center pad. V_{SS} pin must be connected to supply ground for proper device operation. For enhanced thermal, electrical, and board level performance, the exposed pad needs to be soldered to the board using a corresponding thermal pad on the board and for proper heat conduction through the board, thermal vias need to be incorporated in the PCB in the thermal pad region.

6. Functional description

Refer to [Figure 1 “Block diagram”](#).

6.1 Device addressing

Following a START condition the bus master must output the address of the slave it is accessing. The address of the PCA9544A is shown in [Figure 5](#). To conserve power, no internal pull-up resistors are incorporated on the hardware selectable address pins and they must be pulled HIGH or LOW.

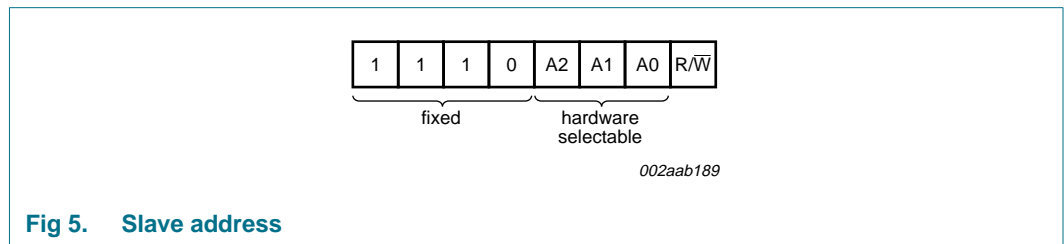


Fig 5. Slave address

The last bit of the slave address defines the operation to be performed. When set to logic 1 a read is selected, while a logic 0 selects a write operation.

6.2 Control register

Following the successful acknowledgement of the slave address, the bus master will send a byte to the PCA9544A which will be stored in the Control register. If multiple bytes are received by the PCA9544A, it will save the last byte received. This register can be written and read via the I²C-bus.

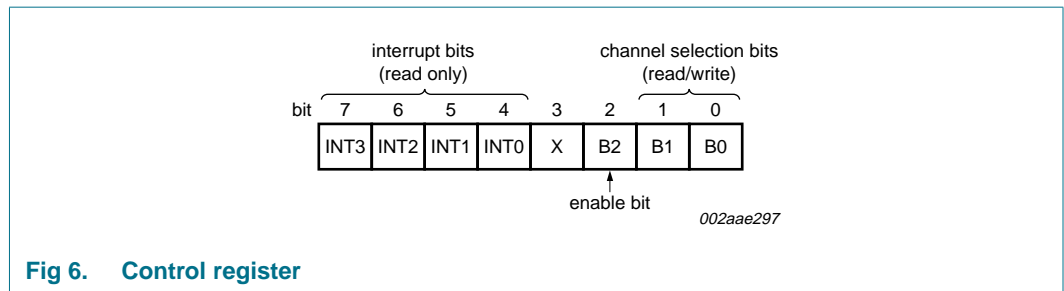


Fig 6. Control register

6.2.1 Control register definition

A SCx/SDx downstream pair, or channel, is selected by the contents of the control register. This register is written after the PCA9544A has been addressed. The 3 LSBs of the control byte are used to determine which channel is to be selected. When a channel is selected, it will become active after a STOP condition has been placed on the I²C-bus. This ensures that all SCx/SDx lines will be in a HIGH state when the channel is made active, so that no false conditions are generated at the time of connection.

Table 4. Control register: Write—channel selection; Read—channel status

| INT3 | INT2 | INT1 | INT0 | D3 | B2 | B1 | B0 | Command |
|------|------|------|------|----|----|----|----|--|
| X | X | X | X | X | 0 | X | x | no channel selected |
| X | X | X | X | X | 1 | 0 | 0 | channel 0 enabled |
| X | X | X | X | X | 1 | 0 | 1 | channel 1 enabled |
| X | X | X | X | X | 1 | 1 | 0 | channel 2 enabled |
| X | X | X | 0 | X | 1 | 1 | 1 | channel 3 enabled |
| 0 | 0 | 0 | 0 | 0 | 0 | 0 | 0 | no channel selected; power-up default state |

6.3 Interrupt handling

The PCA9544A provides 4 interrupt inputs, one for each channel and one open-drain interrupt output. When an interrupt is generated by any device, it will be detected by the PCA9544A and the interrupt output will be driven LOW. The channel need not be active for detection of the interrupt. A bit is also set in the control byte. Bits 7:4 of the control byte correspond to channel 3 to channel 0 of the PCA9544A, respectively. Therefore, if an interrupt is generated by any device connected to channel 2, the state of the interrupt inputs is loaded into the control register when a read is accomplished. Likewise, an interrupt on any device connected to channel 0 would cause bit 4 of the control register to be set on the read. The master can then address the PCA9544A and read the contents of the control byte to determine which channel contains the device generating the interrupt. The master can then reconfigure the PCA9544A to select this channel, and locate the device generating the interrupt and clear it. The interrupt clears when the device originating the interrupt clears.

It should be noted that more than one device can be providing an interrupt on a channel, so it is up to the master to ensure that all devices on a channel are interrogated for an interrupt.

The interrupt inputs may be used as general purpose inputs if the interrupt function is not required.

If unused, interrupt input(s) must be connected to V_{DD} through a pull-up resistor.

Table 5. Control register read — interrupt

| INT3 | INT2 | INT1 | INT0 | D3 | B2 | B1 | B0 | Command |
|------|------|------|------|----|----|----|----|---------------------------|
| X | X | X | 0 | X | X | X | X | no interrupt on channel 0 |
| | | | 1 | | | | | interrupt on channel 0 |
| X | X | 0 | X | X | X | X | X | no interrupt on channel 1 |
| | | | | | | | | 1 |
| X | 0 | X | X | X | X | X | X | no interrupt on channel 2 |
| | | | | | | | | 1 |
| 0 | X | X | X | X | X | X | X | no interrupt on channel 3 |
| | | | | | | | | 1 |

Remark: Several interrupts can be active at the same time. For example: INT3 = 0, INT2 = 1, INT1 = 1, INT0 = 0, means that there is no interrupt on channel 0 and channel 3, and there is an interrupt on channel 1 and on channel 2.

6.4 Power-on reset

When power is applied to V_{DD} , an internal Power-On Reset (POR) holds the PCA9544A in a reset condition until V_{DD} has reached V_{POR} . At this point, the reset condition is released and the PCA9544A registers and I²C-bus state machine are initialized to their default states (all zeroes), causing all the channels to be deselected. Thereafter, V_{DD} must be lowered below 0.2 V to reset the device.

6.5 Voltage translation

The pass gate transistors of the PCA9544A are constructed such that the V_{DD} voltage can be used to limit the maximum voltage that will be passed from one I²C-bus to another.

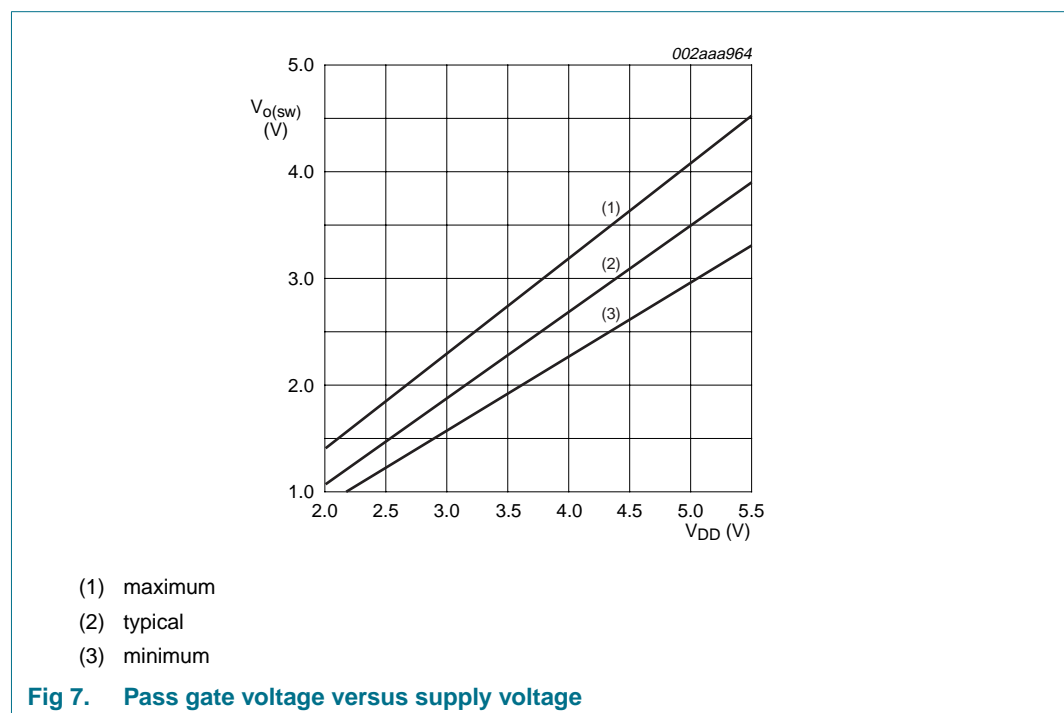


Fig 7. Pass gate voltage versus supply voltage

Figure 7 shows the voltage characteristics of the pass gate transistors (note that the graph was generated using the data specified in Section 11 “Dynamic characteristics” of this data sheet). In order for the PCA9544A to act as a voltage translator, the $V_{O(sw)}$ voltage should be equal to, or lower than the lowest bus voltage. For example, if the main bus was running at 5 V, and the downstream buses were 3.3 V and 2.7 V, then $V_{O(sw)}$ should be equal to or below 2.7 V to effectively clamp the downstream bus voltages. Looking at Figure 7, we see that $V_{O(sw)(max)}$ will be at 2.7 V when the PCA9544A supply voltage is 3.5 V or lower so the PCA9544A supply voltage could be set to 3.3 V. Pull-up resistors can then be used to bring the bus voltages to their appropriate levels (see Figure 14).

More Information can be found in Application Note AN262, PCA954X family of I²C/SMBus multiplexers and switches.

7. Characteristics of the I²C-bus

The I²C-bus is for 2-way, 2-line communication between different ICs or modules. The two lines are a serial data line (SDA) and a serial clock line (SCL). Both lines must be connected to a positive supply via a pull-up resistor when connected to the output stages of a device. Data transfer may be initiated only when the bus is not busy.

7.1 Bit transfer

One data bit is transferred during each clock pulse. The data on the SDA line must remain stable during the HIGH period of the clock pulse as changes in the data line at this time will be interpreted as control signals (see [Figure 8](#)).

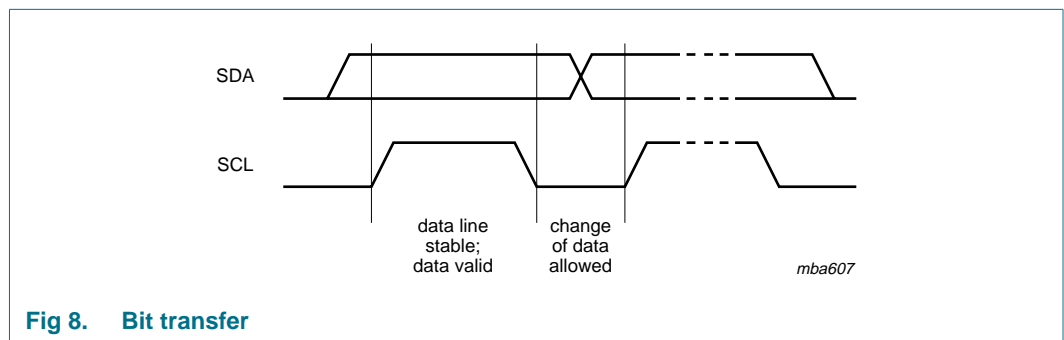


Fig 8. Bit transfer

7.2 START and STOP conditions

Both data and clock lines remain HIGH when the bus is not busy. A HIGH-to-LOW transition of the data line while the clock is HIGH is defined as the START condition (S). A LOW-to-HIGH transition of the data line while the clock is HIGH is defined as the STOP condition (P) (see [Figure 9](#)).

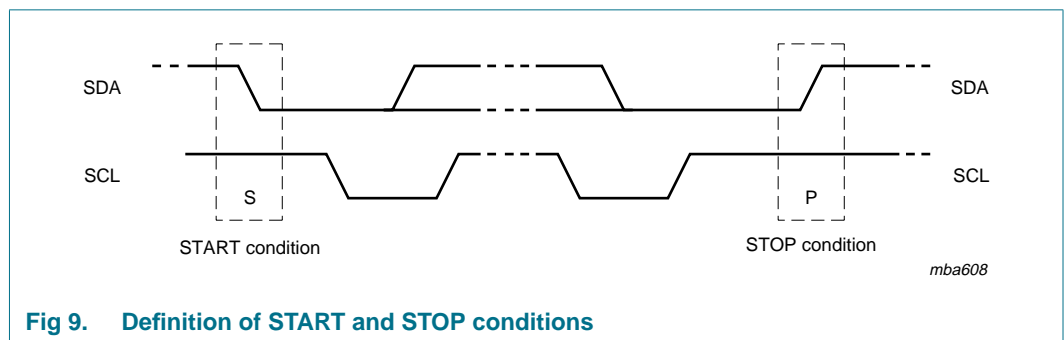


Fig 9. Definition of START and STOP conditions

7.3 System configuration

A device generating a message is a 'transmitter', a device receiving is the 'receiver'. The device that controls the message is the 'master' and the devices which are controlled by the master are the 'slaves' (see [Figure 10](#)).

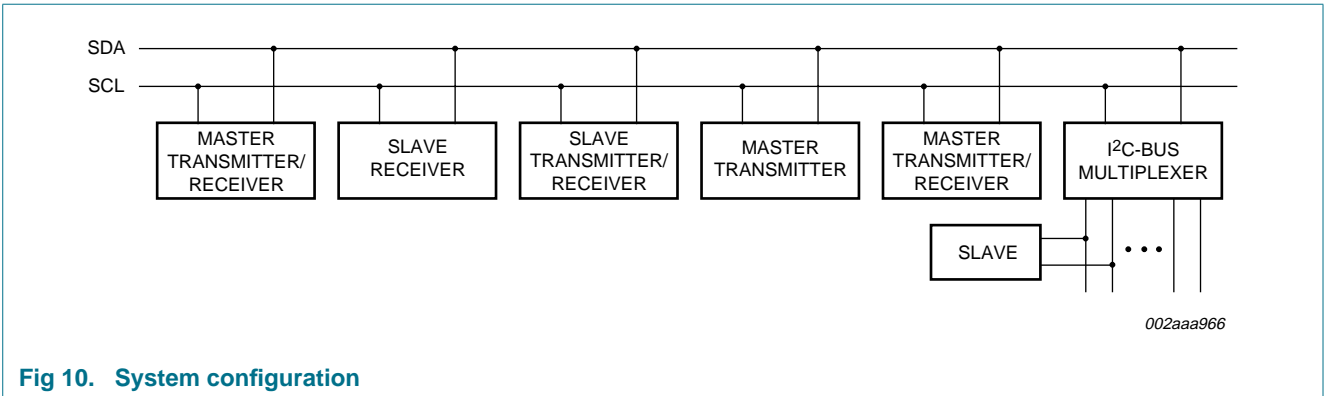


Fig 10. System configuration

7.4 Acknowledge

The number of data bytes transferred between the START and the STOP conditions from transmitter to receiver is not limited. Each byte of eight bits is followed by one acknowledge bit. The acknowledge bit is a HIGH level put on the bus by the transmitter, whereas the master generates an extra acknowledge related clock pulse.

A slave receiver which is addressed must generate an acknowledge after the reception of each byte. Also, a master must generate an acknowledge after the reception of each byte that has been clocked out of the slave transmitter. The device that acknowledges has to pull down the SDA line during the acknowledge clock pulse so that the SDA line is stable LOW during the HIGH period of the acknowledge related clock pulse; setup and hold times must be taken into account.

A master receiver must signal an end of data to the transmitter by not generating an acknowledge on the last byte that has been clocked out of the slave. In this event, the transmitter must leave the data line HIGH to enable the master to generate a STOP condition.

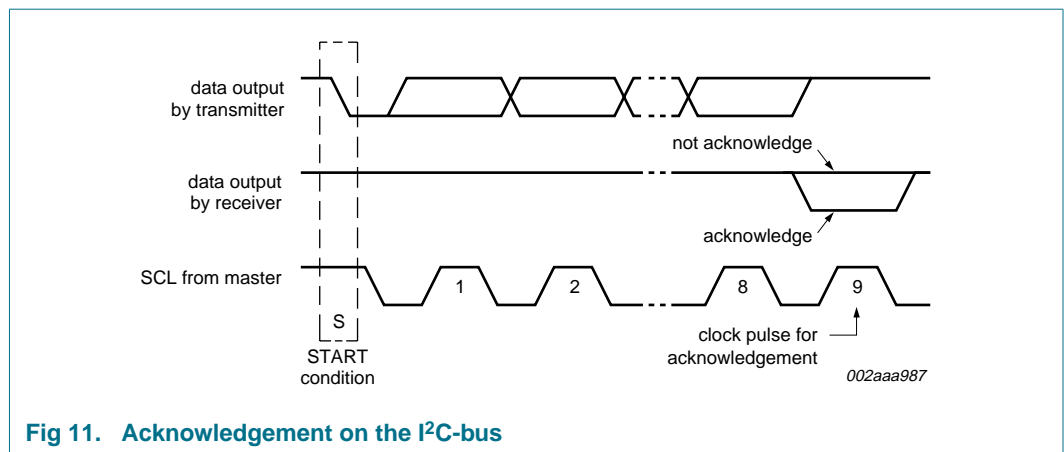


Fig 11. Acknowledgement on the I²C-bus

7.5 Bus transactions

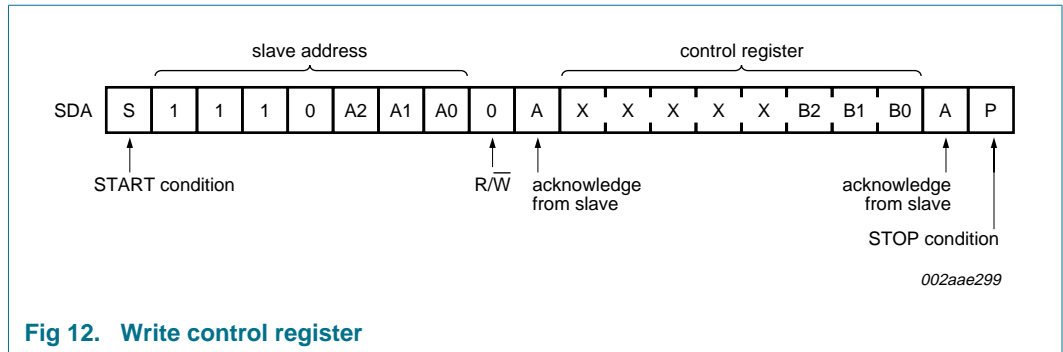


Fig 12. Write control register

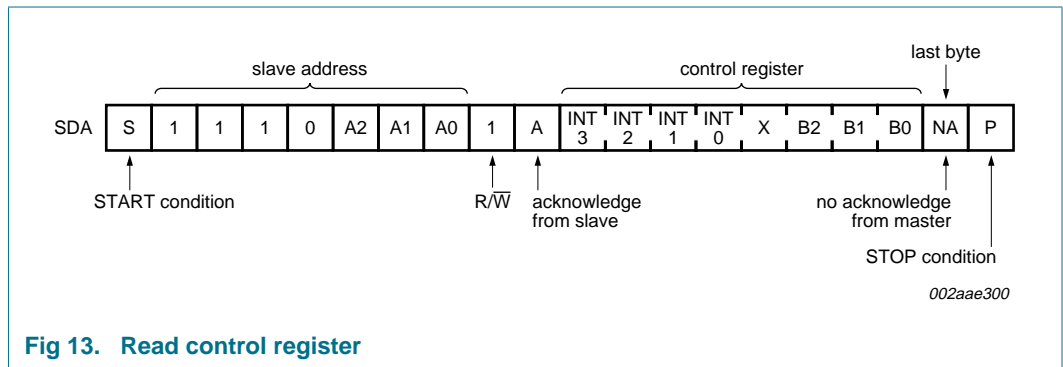
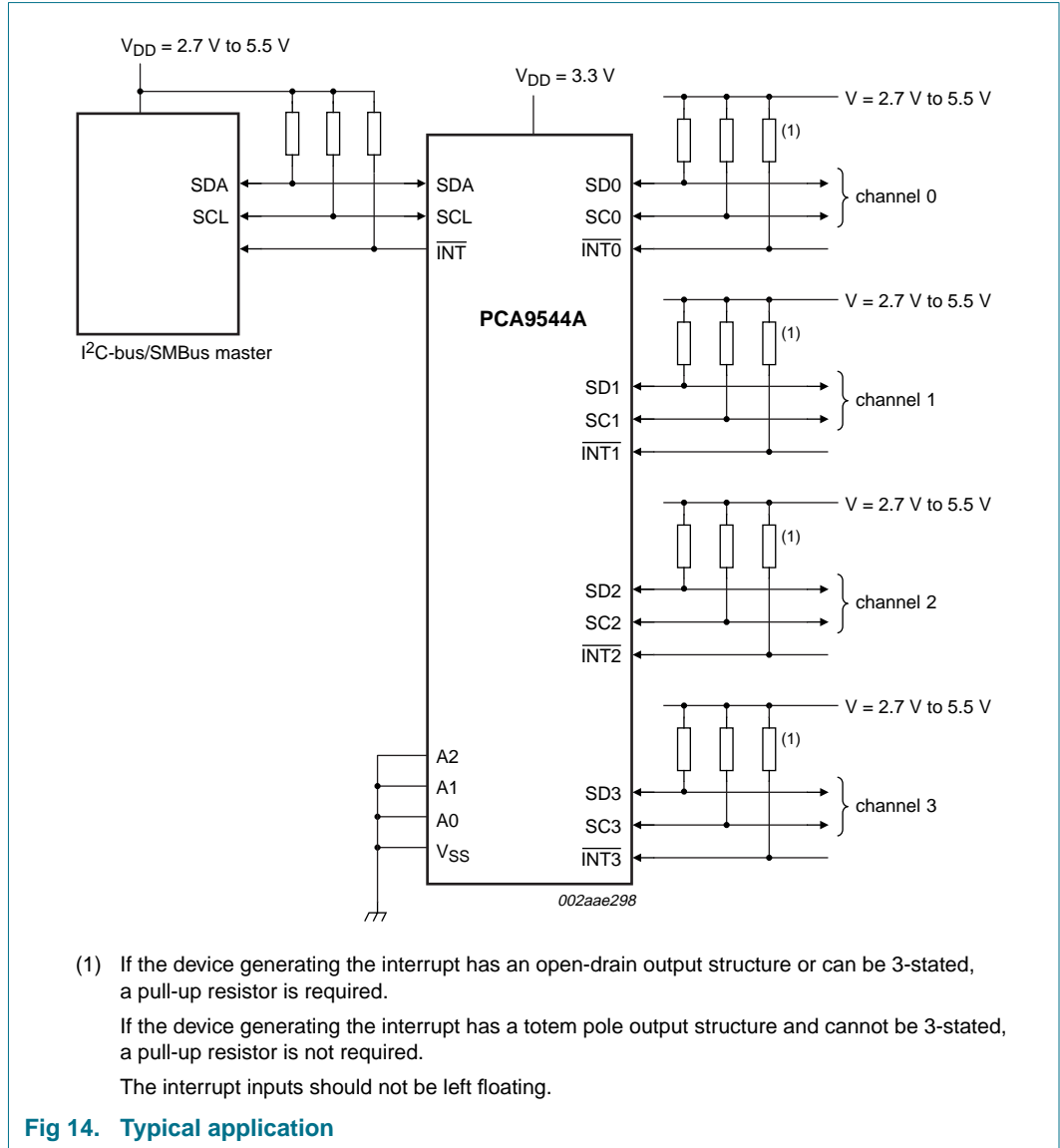


Fig 13. Read control register

8. Application design-in information



9. Limiting values

Table 6. Limiting values

In accordance with the Absolute Maximum Rating System (IEC 60134).

Voltages are referenced to ground ($V_{SS} = 0$ V).^[1]

| Symbol | Parameter | Conditions | Min | Max | Unit |
|-----------|-------------------------|------------|------|------|------|
| V_{DD} | supply voltage | | -0.5 | +7.0 | V |
| V_I | input voltage | | -0.5 | +7.0 | V |
| I_I | input current | | - | ±20 | mA |
| I_O | output current | | - | ±25 | mA |
| I_{DD} | supply current | | - | ±100 | mA |
| I_{SS} | ground supply current | | - | ±100 | mA |
| P_{tot} | total power dissipation | | - | 400 | mW |
| T_{stg} | storage temperature | | -60 | +150 | °C |
| T_{amb} | ambient temperature | operating | -40 | +85 | °C |

- [1] The performance capability of a high-performance integrated circuit in conjunction with its thermal environment can create junction temperatures which are detrimental to reliability. The maximum junction temperature of this integrated circuit should not exceed 125 °C.

10. Static characteristics

Table 7. Static characteristics

$V_{DD} = 2.3 \text{ V to } 3.6 \text{ V}$; $V_{SS} = 0 \text{ V}$; $T_{amb} = -40 \text{ }^\circ\text{C to } +85 \text{ }^\circ\text{C}$; unless otherwise specified.

See [Table 8](#) for $V_{DD} = 4.5 \text{ V to } 5.5 \text{ V}$.^[1]

| Symbol | Parameter | Conditions | Min | Typ | Max | Unit |
|---|---------------------------|--|------------------|-----|----------------|---------------|
| Supply | | | | | | |
| V_{DD} | supply voltage | | 2.3 | - | 3.6 | V |
| I_{DD} | supply current | operating mode; $V_{DD} = 3.6 \text{ V}$; no load; $V_I = V_{DD}$ or V_{SS} ; $f_{SCL} = 100 \text{ kHz}$ | - | 10 | 30 | μA |
| I_{stb} | standby current | standby mode; $V_{DD} = 3.6 \text{ V}$; no load; $V_I = V_{DD}$ or V_{SS} ; $f_{SCL} = 0 \text{ kHz}$ | - | 0.1 | 1 | μA |
| V_{POR} | power-on reset voltage | no load; $V_I = V_{DD}$ or V_{SS} | ^[2] - | 1.5 | 2.1 | V |
| Input SCL; input/output SDA | | | | | | |
| V_{IL} | LOW-level input voltage | | -0.5 | - | +0.3 V_{DD} | V |
| V_{IH} | HIGH-level input voltage | | 0.7 V_{DD} | - | 6 | V |
| I_{OL} | LOW-level output current | $V_{OL} = 0.4 \text{ V}$ | 3 | 7 | - | mA |
| | | $V_{OL} = 0.6 \text{ V}$ | 6 | 10 | - | mA |
| I_L | leakage current | $V_I = V_{DD}$ or V_{SS} | -1 | - | +1 | μA |
| C_i | input capacitance | $V_I = V_{SS}$ | - | 10 | 13 | pF |
| Select inputs A0 to A2, INT0 to INT3 | | | | | | |
| V_{IL} | LOW-level input voltage | | -0.5 | - | +0.3 V_{DD} | V |
| V_{IH} | HIGH-level input voltage | | 0.7 V_{DD} | - | $V_{DD} + 0.5$ | V |
| I_{LI} | input leakage current | $V_I = V_{DD}$ or V_{SS} | -1 | - | +1 | μA |
| C_i | input capacitance | $V_I = V_{SS}$ | - | 1.6 | 3 | pF |
| Pass gate | | | | | | |
| R_{on} | ON-state resistance | $V_{DD} = 3.0 \text{ V to } 3.6 \text{ V}$; $V_O = 0.4 \text{ V}$; $I_O = 15 \text{ mA}$ | 5 | 11 | 30 | Ω |
| | | $V_{DD} = 2.3 \text{ V to } 2.7 \text{ V}$; $V_O = 0.4 \text{ V}$; $I_O = 10 \text{ mA}$ | 7 | 16 | 55 | Ω |
| $V_{o(sw)}$ | switch output voltage | $V_{i(sw)} = V_{DD} = 3.3 \text{ V}$; $I_{o(sw)} = -100 \mu\text{A}$ | - | 1.9 | - | V |
| | | $V_{i(sw)} = V_{DD} = 3.0 \text{ V to } 3.6 \text{ V}$; $I_{o(sw)} = -100 \mu\text{A}$ | 1.6 | - | 2.8 | V |
| | | $V_{i(sw)} = V_{DD} = 2.5 \text{ V}$; $I_{o(sw)} = -100 \mu\text{A}$ | - | 1.5 | - | V |
| | | $V_{i(sw)} = V_{DD} = 2.3 \text{ V to } 2.7 \text{ V}$; $I_{o(sw)} = -100 \mu\text{A}$ | 1.1 | - | 2.0 | V |
| I_L | leakage current | $V_I = V_{DD}$ or V_{SS} | -1 | - | +1 | μA |
| C_{io} | input/output capacitance | $V_I = V_{SS}$ | - | 3 | 5 | pF |
| INT output | | | | | | |
| I_{OL} | LOW-level output current | $V_{OL} = 0.4 \text{ V}$ | 3 | 7 | - | mA |
| I_{OH} | HIGH-level output current | | - | - | +10 | μA |

[1] For operation between published voltage ranges, refer to worst case parameter in both ranges.

[2] V_{DD} must be lowered to 0.2 V in order to reset part.

Table 8. Static characteristics

$V_{DD} = 4.5\text{ V to }5.5\text{ V}$; $V_{SS} = 0\text{ V}$; $T_{amb} = -40\text{ }^{\circ}\text{C to }+85\text{ }^{\circ}\text{C}$; unless otherwise specified.

See [Table 7](#) for $V_{DD} = 2.3\text{ V to }3.6\text{ V}$.^[1]

| Symbol | Parameter | Conditions | Min | Typ | Max | Unit |
|---|---------------------------|--|------------------|-----|----------------|---------------|
| Supply | | | | | | |
| V_{DD} | supply voltage | | 4.5 | - | 5.5 | V |
| I_{DD} | supply current | operating mode; $V_{DD} = 5.5\text{ V}$; no load; $V_I = V_{DD}$ or V_{SS} ; $f_{SCL} = 100\text{ kHz}$ | - | 25 | 100 | μA |
| I_{stb} | standby current | standby mode; $V_{DD} = 5.5\text{ V}$; no load; $V_I = V_{DD}$ or V_{SS} ; $f_{SCL} = 0\text{ kHz}$ | - | 0.3 | 1 | μA |
| V_{POR} | power-on reset voltage | no load; $V_I = V_{DD}$ or V_{SS} | ^[2] - | 1.7 | 2.1 | V |
| Input SCL; input/output SDA | | | | | | |
| V_{IL} | LOW-level input voltage | | -0.5 | - | +0.3 V_{DD} | V |
| V_{IH} | HIGH-level input voltage | | 0.7 V_{DD} | - | 6 | V |
| I_{OL} | LOW-level output current | $V_{OL} = 0.4\text{ V}$ | 3 | - | - | mA |
| | | $V_{OL} = 0.6\text{ V}$ | 6 | - | - | mA |
| I_L | leakage current | $V_I = V_{DD}$ or V_{SS} | -1 | - | +1 | μA |
| C_i | input capacitance | $V_I = V_{SS}$ | - | 12 | 13 | pF |
| Select inputs A0 to A2, INT0 to INT3 | | | | | | |
| V_{IL} | LOW-level input voltage | | -0.5 | - | +0.3 V_{DD} | V |
| V_{IH} | HIGH-level input voltage | | 0.7 V_{DD} | - | $V_{DD} + 0.5$ | V |
| I_{LI} | input leakage current | pin at V_{DD} or V_{SS} | -1 | - | +1 | μA |
| C_i | input capacitance | $V_I = V_{SS}$ | - | 2 | 5 | pF |
| Pass gate | | | | | | |
| R_{on} | ON-state resistance | $V_{DD} = 4.5\text{ V to }5.5\text{ V}$; $V_O = 0.4\text{ V}$; $I_O = 15\text{ mA}$ | 4 | 9 | 24 | Ω |
| $V_{o(sw)}$ | switch output voltage | $V_{i(sw)} = V_{DD} = 5.0\text{ V}$; $I_{o(sw)} = -100\text{ }\mu\text{A}$ | - | 3.6 | - | V |
| | | $V_{i(sw)} = V_{DD} = 4.5\text{ V to }5.5\text{ V}$; $I_{o(sw)} = -100\text{ }\mu\text{A}$ | 2.6 | - | 4.5 | V |
| I_L | leakage current | $V_I = V_{DD}$ or V_{SS} | -1 | - | +1 | μA |
| C_{io} | input/output capacitance | $V_I = V_{SS}$ | - | 3 | 5 | pF |
| INT output | | | | | | |
| I_{OL} | LOW-level output current | $V_{OL} = 0.4\text{ V}$ | 3 | - | - | mA |
| I_{OH} | HIGH-level output current | | - | - | +10 | μA |

[1] For operation between published voltage ranges, refer to worst case parameter in both ranges.

[2] V_{DD} must be lowered to 0.2 V in order to reset part.

11. Dynamic characteristics

Table 9. Dynamic characteristics

| Symbol | Parameter | Conditions | Standard-mode I ² C-bus | | Fast-mode I ² C-bus | | Unit | |
|----------------------------|---|-----------------------------------|------------------------------------|--------------------|---------------------------------------|--------------------|------|----|
| | | | Min | Max | Min | Max | | |
| t _{PD} | propagation delay | from SDA to SDn, or SCL to SCn | - | 0.3 ^[1] | - | 0.3 ^[1] | ns | |
| f _{SCL} | SCL clock frequency | | 0 | 100 | 0 | 400 | kHz | |
| t _{BUF} | bus free time between a STOP and START condition | | 4.7 | - | 1.3 | - | μs | |
| t _{HD;STA} | hold time (repeated) START condition | ^[2] | 4.0 | - | 0.6 | - | μs | |
| t _{LOW} | LOW period of the SCL clock | | 4.7 | - | 1.3 | - | μs | |
| t _{HIGH} | HIGH period of the SCL clock | | 4.0 | - | 0.6 | - | μs | |
| t _{SU;STA} | set-up time for a repeated START condition | | 4.7 | - | 0.6 | - | μs | |
| t _{SU;STO} | set-up time for STOP condition | | 4.0 | - | 0.6 | - | μs | |
| t _{HD;DAT} | data hold time | | 0 ^[3] | 3.45 | 0 ^[3] | 0.9 | μs | |
| t _{SU;DAT} | data set-up time | | 250 | - | 100 | - | ns | |
| t _r | rise time of both SDA and SCL signals | | - | 1000 | 20 + 0.1C _b ^[4] | 300 | ns | |
| t _f | fall time of both SDA and SCL signals | | - | 300 | 20 + 0.1C _b ^[4] | 300 | μs | |
| C _b | capacitive load for each bus line | | - | 400 | - | 400 | μs | |
| t _{SP} | pulse width of spikes that must be suppressed by the input filter | | - | 50 | - | 50 | ns | |
| t _{VD;DAT} | data valid time | HIGH-to-LOW | ^[5] | - | 1 | - | 1 | μs |
| | | LOW-to-HIGH | ^[5] | - | 0.6 | - | 0.6 | μs |
| t _{VD;ACK} | data valid acknowledge time | | - | 1 | - | 1 | μs | |
| INT | | | | | | | | |
| t _{v(INTnN-INTN)} | valid time from \overline{INTn} to \overline{INT} signal | ^[5] | - | 4 | - | 4 | μs | |
| t _{d(INTnN-INTN)} | delay time from \overline{INTn} to \overline{INT} inactive | ^[5] | - | 2 | - | 2 | μs | |
| t _{w(rej)L} | LOW-level rejection time | \overline{INTn} inputs | ^[5] | 1 | - | 1 | μs | |
| t _{w(rej)H} | HIGH-level rejection time | \overline{INTn} inputs | ^[5] | 0.5 | - | 0.5 | μs | |

[1] Pass gate propagation delay is calculated from the 20 Ω typical R_{on} and the 15 pF load capacitance.

[2] After this period, the first clock pulse is generated.

[3] A device must internally provide a hold time of at least 300 ns for the SDA signal (referred to the V_{IH(min)} of the SCL signal) in order to bridge the undefined region of the falling edge of SCL.

[4] C_b = total capacitance of one bus line in pF.

[5] Measurements taken with 1 kΩ pull-up resistor and 50 pF load.

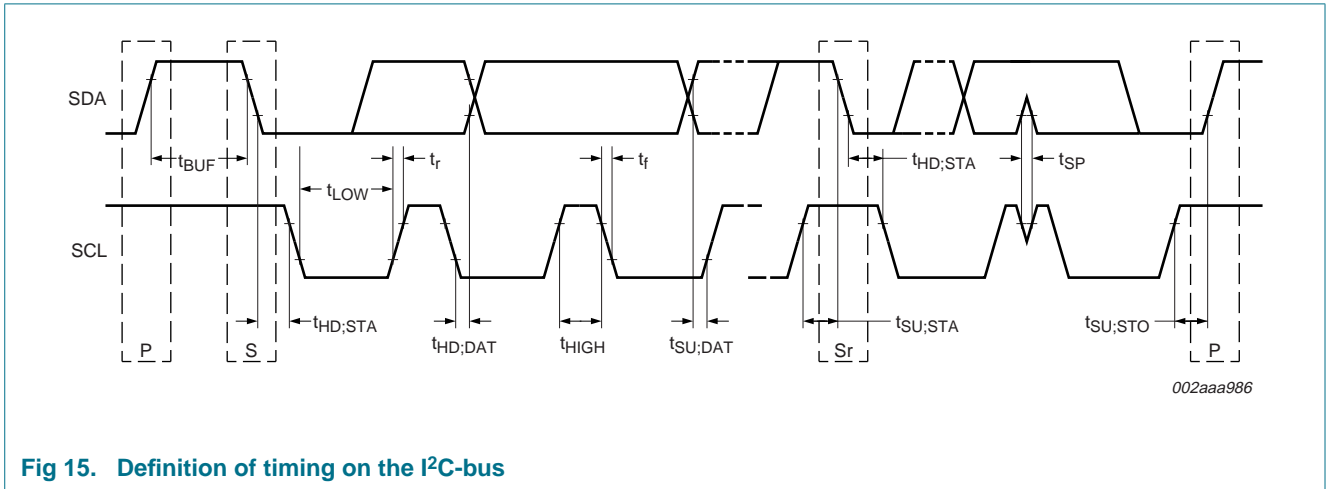


Fig 15. Definition of timing on the I²C-bus

12. Package outline

SO20: plastic small outline package; 20 leads; body width 7.5 mm

SOT163-1

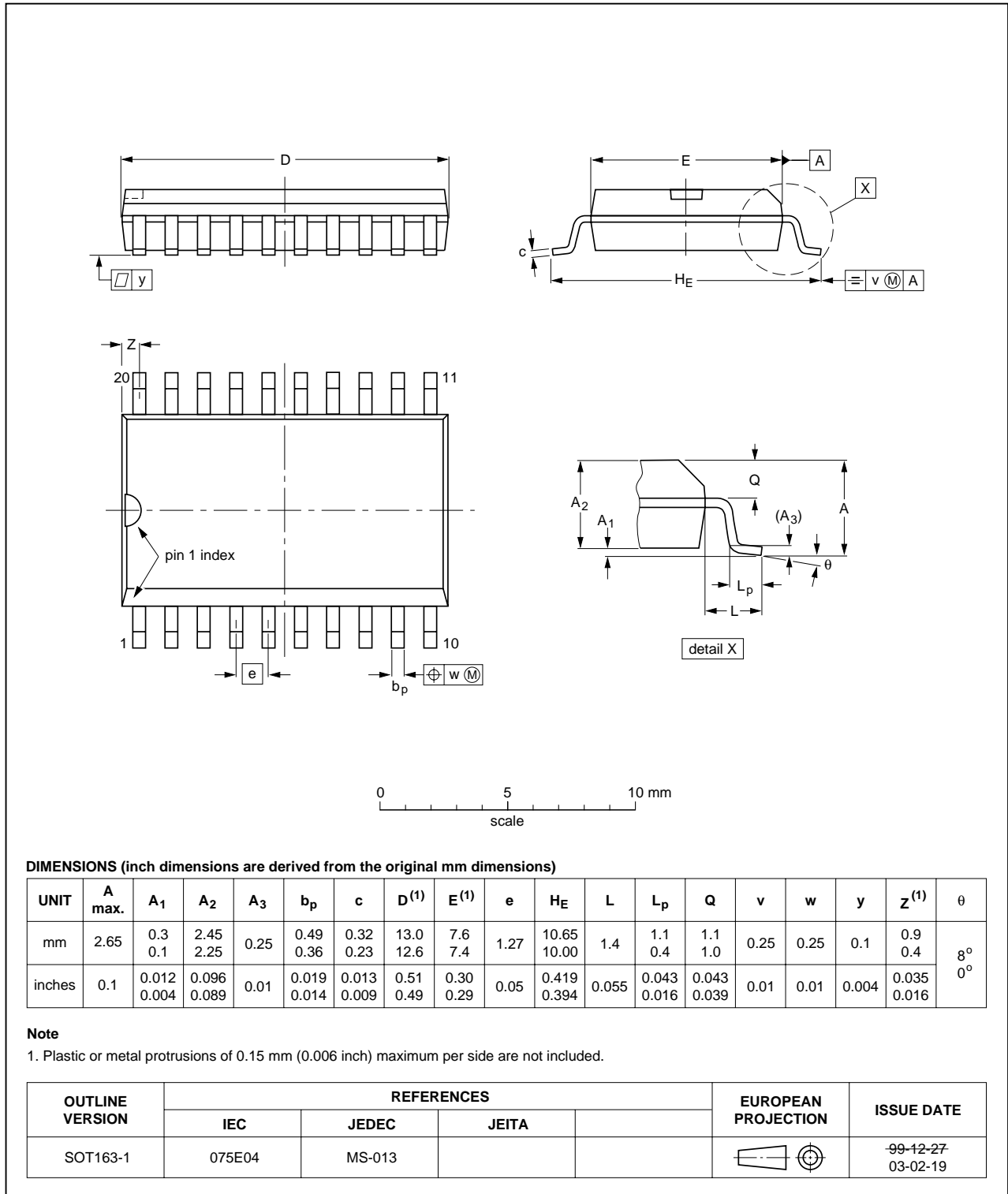


Fig 16. Package outline SOT163-1 (SO20)

TSSOP20: plastic thin shrink small outline package; 20 leads; body width 4.4 mm

SOT360-1

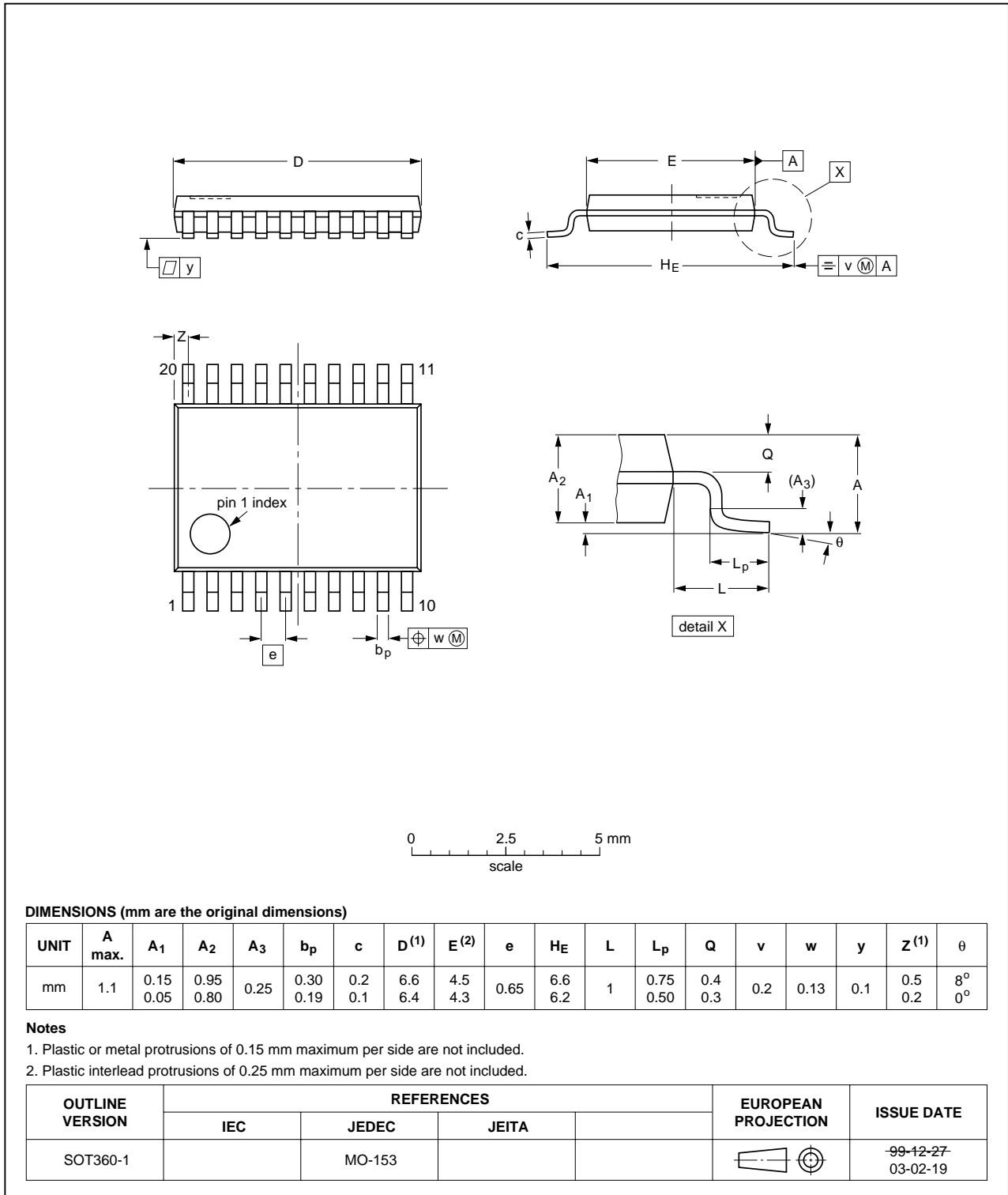
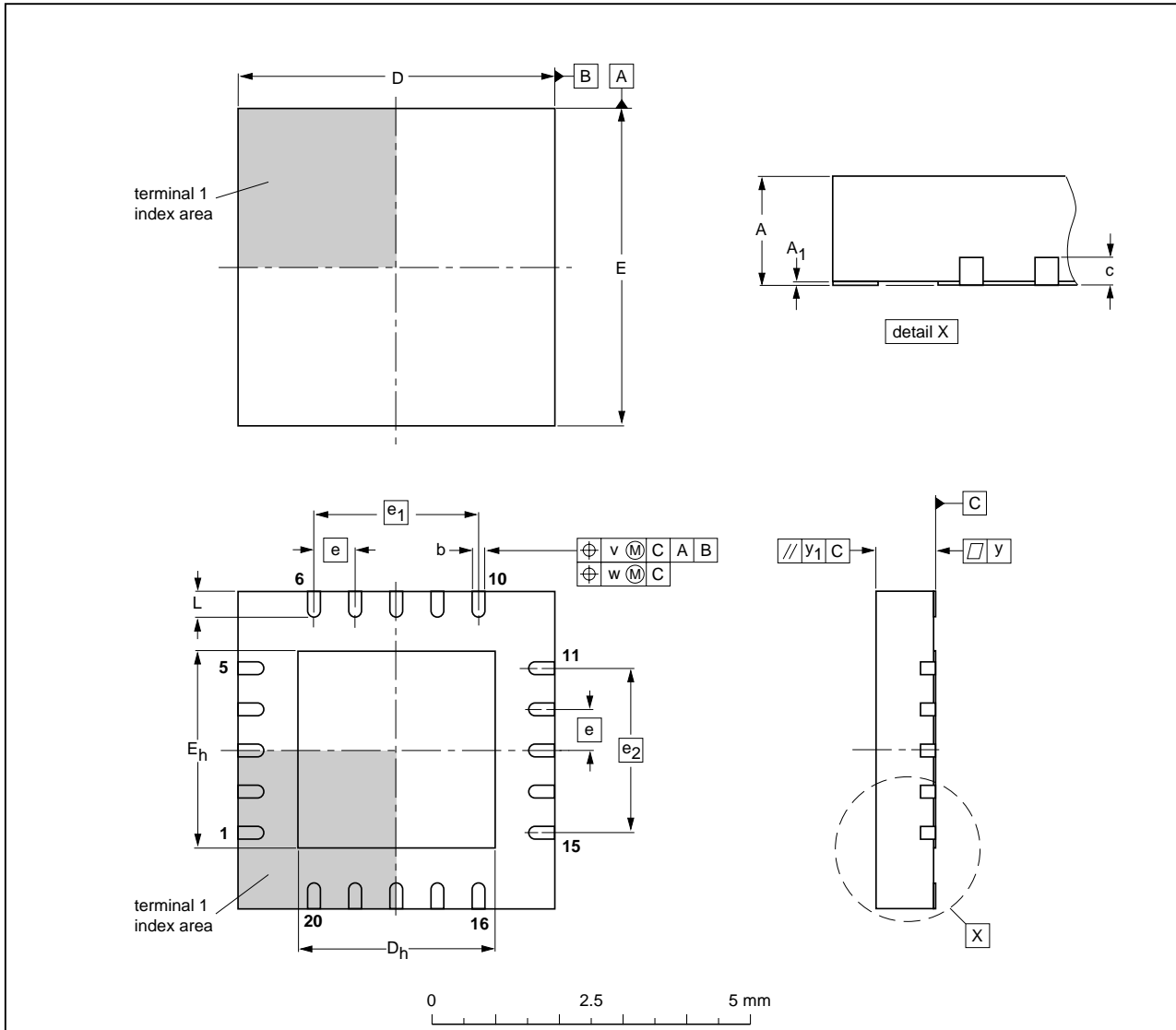


Fig 17. Package outline SOT360-1 (TSSOP20)

HVQFN20: plastic thermal enhanced very thin quad flat package; no leads; 20 terminals; body 5 x 5 x 0.85 mm

SOT662-1



DIMENSIONS (mm are the original dimensions)

| UNIT | A ⁽¹⁾ max. | A ₁ | b | c | D ⁽¹⁾ | D _h | E ⁽¹⁾ | E _h | e | e ₁ | e ₂ | L | v | w | y | y ₁ |
|------|-----------------------|----------------|--------------|-----|------------------|----------------|------------------|----------------|------|----------------|----------------|--------------|-----|------|------|----------------|
| mm | 1 | 0.05 0.00 | 0.38 0.23 | 0.2 | 5.1 4.9 | 3.25 2.95 | 5.1 4.9 | 3.25 2.95 | 0.65 | 2.6 | 2.6 | 0.75 0.50 | 0.1 | 0.05 | 0.05 | 0.1 |

Note

1. Plastic or metal protrusions of 0.075 mm maximum per side are not included.

| OUTLINE VERSION | REFERENCES | | | | EUROPEAN PROJECTION | ISSUE DATE |
|-----------------|------------|--------|-------|--|---------------------|----------------------|
| | IEC | JEDEC | JEITA | | | |
| SOT662-1 | --- | MO-220 | --- | | | 01-08-08 02-10-22 |

Fig 18. Package outline SOT662-1 (HVQFN20)

13. Soldering of SMD packages

This text provides a very brief insight into a complex technology. A more in-depth account of soldering ICs can be found in Application Note *AN10365 "Surface mount reflow soldering description"*.

13.1 Introduction to soldering

Soldering is one of the most common methods through which packages are attached to Printed Circuit Boards (PCBs), to form electrical circuits. The soldered joint provides both the mechanical and the electrical connection. There is no single soldering method that is ideal for all IC packages. Wave soldering is often preferred when through-hole and Surface Mount Devices (SMDs) are mixed on one printed wiring board; however, it is not suitable for fine pitch SMDs. Reflow soldering is ideal for the small pitches and high densities that come with increased miniaturization.

13.2 Wave and reflow soldering

Wave soldering is a joining technology in which the joints are made by solder coming from a standing wave of liquid solder. The wave soldering process is suitable for the following:

- Through-hole components
- Leaded or leadless SMDs, which are glued to the surface of the printed circuit board

Not all SMDs can be wave soldered. Packages with solder balls, and some leadless packages which have solder lands underneath the body, cannot be wave soldered. Also, leaded SMDs with leads having a pitch smaller than ~0.6 mm cannot be wave soldered, due to an increased probability of bridging.

The reflow soldering process involves applying solder paste to a board, followed by component placement and exposure to a temperature profile. Leaded packages, packages with solder balls, and leadless packages are all reflow solderable.

Key characteristics in both wave and reflow soldering are:

- Board specifications, including the board finish, solder masks and vias
- Package footprints, including solder thieves and orientation
- The moisture sensitivity level of the packages
- Package placement
- Inspection and repair
- Lead-free soldering versus SnPb soldering

13.3 Wave soldering

Key characteristics in wave soldering are:

- Process issues, such as application of adhesive and flux, clinching of leads, board transport, the solder wave parameters, and the time during which components are exposed to the wave
- Solder bath specifications, including temperature and impurities

13.4 Reflow soldering

Key characteristics in reflow soldering are:

- Lead-free versus SnPb soldering; note that a lead-free reflow process usually leads to higher minimum peak temperatures (see [Figure 19](#)) than a SnPb process, thus reducing the process window
- Solder paste printing issues including smearing, release, and adjusting the process window for a mix of large and small components on one board
- Reflow temperature profile; this profile includes preheat, reflow (in which the board is heated to the peak temperature) and cooling down. It is imperative that the peak temperature is high enough for the solder to make reliable solder joints (a solder paste characteristic). In addition, the peak temperature must be low enough that the packages and/or boards are not damaged. The peak temperature of the package depends on package thickness and volume and is classified in accordance with [Table 10](#) and [11](#)

Table 10. SnPb eutectic process (from J-STD-020C)

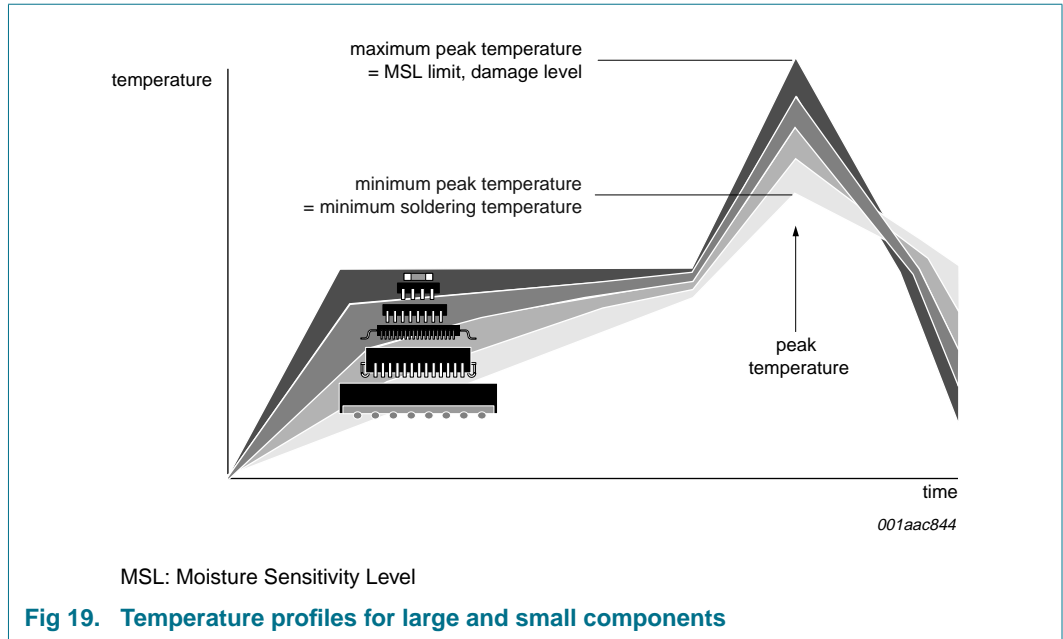
| Package thickness (mm) | Package reflow temperature (°C) | |
|------------------------|---------------------------------|-------|
| | Volume (mm ³) | |
| | < 350 | ≥ 350 |
| < 2.5 | 235 | 220 |
| ≥ 2.5 | 220 | 220 |

Table 11. Lead-free process (from J-STD-020C)

| Package thickness (mm) | Package reflow temperature (°C) | | |
|------------------------|---------------------------------|-------------|--------|
| | Volume (mm ³) | | |
| | < 350 | 350 to 2000 | > 2000 |
| < 1.6 | 260 | 260 | 260 |
| 1.6 to 2.5 | 260 | 250 | 245 |
| > 2.5 | 250 | 245 | 245 |

Moisture sensitivity precautions, as indicated on the packing, must be respected at all times.

Studies have shown that small packages reach higher temperatures during reflow soldering, see [Figure 19](#).



For further information on temperature profiles, refer to Application Note AN10365 “Surface mount reflow soldering description”.

14. Abbreviations

Table 12. Abbreviations

| Acronym | Description |
|----------------------|------------------------------|
| CDM | Charged-Device Model |
| ESD | ElectroStatic Discharge |
| HBM | Human Body Model |
| I/O | Input/Output |
| I ² C-bus | Inter-Integrated Circuit bus |
| LSB | Least Significant Bit |
| MM | Machine Model |
| PCB | Printed-Circuit Board |
| POR | Power-On Reset |
| SMBus | System Management Bus |

15. Revision history

Table 13. Revision history

| Document ID | Release date | Data sheet status | Change notice | Supersedes |
|-------------|--------------|--------------------|---------------|------------|
| PCA9544A_3 | 20081124 | Product data sheet | - | PCA9544A_2 |

- Modifications:
- The format of this data sheet has been redesigned to comply with the new identity guidelines of NXP Semiconductors.
 - Legal texts have been adapted to the new company name where appropriate.
 - [Section 2 “Features”](#):
 - 8th bullet item: changed from “Rds_{ON}” to “R_{on}”
 - 16th bullet item: changed from “and 1000 V per JESD22-C101” to “and 1000 V CDM per JESD22-C101”
 - [Section 5.1 “Pinning”](#): added separate pinning diagrams for SO20 and TSSOP20
 - [Table 3 “Pin description”](#): added [Table note \[1\]](#) and its reference at HVQFN20 pin 8 (V_{SS})
 - [Section 6.5 “Voltage translation”](#): changed symbol from “V_{pass}” to “V_{o(sw)}”
 - [Figure 14 “Typical application”](#): corrected signal names:
 - for channel 2, changed “SD1” and “SC1” to “SD2” and “SC2”
 - for channel 3, changed “SD1” and “SC1” to “SD3” and “SC3”
 - [Table 6 “Limiting values”](#):
 - changed parameter for I_{SS} from “supply current” to “ground supply current”
 - changed parameter for T_{amb} from “operating ambient temperature” to “ambient temperature” (moved “operating” to Conditions column)
 - deleted (old) table note 1 (this statement is now located in [Section 16.3 “Disclaimers”](#), paragraph “Limiting values”)
 - [Table note \[1\]](#), 2nd sentence: changed from “should not exceed 150 °C” to “should not exceed 125 °C”
 - [Table 7 “Static characteristics”](#) (V_{DD} = 2.3 V to 3.6 V):
 - table title changed from “DC characteristics” to “Static characteristics”
 - descriptive line below table title: changed from “See [Table 8](#) for V_{DD} = 3.6 V to 5.5 V.” to “See [Table 8](#) for V_{DD} = 4.5 V to 5.5 V.”
 - sub-section “Pass gate”: changed symbol/parameter from “R_{ON}, Switch resistance” to “R_{on}, ON-state resistance”
 - sub-section “Pass gate”: changed symbol from “V_{Pass}” to “V_{o(sw)}”
 - sub-section “Pass gate”, Conditions column: changed symbol from “V_{swin}” to “V_{i(sw)}”; changed symbol from “I_{swout}” to “I_{o(sw)}”
 - [Table 8 “Static characteristics”](#) (V_{DD} = 4.5 V to 5.5 V):
 - table title changed from “DC characteristics” to “Static characteristics”
 - sub-section “Pass gate”: changed symbol/parameter from “R_{ON}, Switch resistance” to “R_{on}, ON-state resistance”
 - sub-section “Pass gate”: changed symbol from “V_{Pass}” to “V_{o(sw)}”
 - sub-section “Pass gate”, Conditions column: changed symbol from “V_{swin}” to “V_{i(sw)}”; changed symbol from “I_{swout}” to “I_{o(sw)}”

Table 13. Revision history ...continued

| Document ID | Release date | Data sheet status | Change notice | Supersedes |
|--------------------------------|--|----------------------|---------------|------------|
| Modifications: (continued) | <ul style="list-style-type: none"> • Table 9 “Dynamic characteristics”: <ul style="list-style-type: none"> – symbol $t_{HD,STA}$: phrase “After this period, the first clock pulse is generated.” has been moved to Table note [2] – symbols $t_{VD:DATL}$ and $t_{VD:DATH}$ merged to form $t_{VD:DAT}$ (and added Conditions “HIGH-to-LOW” and “LOW-to-HIGH”) – sub-section “\overline{INT}” re-written in its entirety • Added soldering information • Added Section 14 “Abbreviations” | | | |
| PCA9544A_2 (9397 750 13931) | 20040929 | Product data sheet | - | PCA9544A_1 |
| PCA9544A_1 (9397 750 13301) | 20040728 | Objective data sheet | - | - |

16. Legal information

16.1 Data sheet status

| Document status ^{[1][2]} | Product status ^[3] | Definition |
|-----------------------------------|-------------------------------|---|
| Objective [short] data sheet | Development | This document contains data from the objective specification for product development. |
| Preliminary [short] data sheet | Qualification | This document contains data from the preliminary specification. |
| Product [short] data sheet | Production | This document contains the product specification. |

[1] Please consult the most recently issued document before initiating or completing a design.

[2] The term 'short data sheet' is explained in section "Definitions".

[3] The product status of device(s) described in this document may have changed since this document was published and may differ in case of multiple devices. The latest product status information is available on the Internet at URL <http://www.nxp.com>.

16.2 Definitions

Draft — The document is a draft version only. The content is still under internal review and subject to formal approval, which may result in modifications or additions. NXP Semiconductors does not give any representations or warranties as to the accuracy or completeness of information included herein and shall have no liability for the consequences of use of such information.

Short data sheet — A short data sheet is an extract from a full data sheet with the same product type number(s) and title. A short data sheet is intended for quick reference only and should not be relied upon to contain detailed and full information. For detailed and full information see the relevant full data sheet, which is available on request via the local NXP Semiconductors sales office. In case of any inconsistency or conflict with the short data sheet, the full data sheet shall prevail.

16.3 Disclaimers

General — Information in this document is believed to be accurate and reliable. However, NXP Semiconductors does not give any representations or warranties, expressed or implied, as to the accuracy or completeness of such information and shall have no liability for the consequences of use of such information.

Right to make changes — NXP Semiconductors reserves the right to make changes to information published in this document, including without limitation specifications and product descriptions, at any time and without notice. This document supersedes and replaces all information supplied prior to the publication hereof.

Suitability for use — NXP Semiconductors products are not designed, authorized or warranted to be suitable for use in medical, military, aircraft, space or life support equipment, nor in applications where failure or malfunction of an NXP Semiconductors product can reasonably be expected

to result in personal injury, death or severe property or environmental damage. NXP Semiconductors accepts no liability for inclusion and/or use of NXP Semiconductors products in such equipment or applications and therefore such inclusion and/or use is at the customer's own risk.

Applications — Applications that are described herein for any of these products are for illustrative purposes only. NXP Semiconductors makes no representation or warranty that such applications will be suitable for the specified use without further testing or modification.

Limiting values — Stress above one or more limiting values (as defined in the Absolute Maximum Ratings System of IEC 60134) may cause permanent damage to the device. Limiting values are stress ratings only and operation of the device at these or any other conditions above those given in the Characteristics sections of this document is not implied. Exposure to limiting values for extended periods may affect device reliability.

Terms and conditions of sale — NXP Semiconductors products are sold subject to the general terms and conditions of commercial sale, as published at <http://www.nxp.com/profile/terms>, including those pertaining to warranty, intellectual property rights infringement and limitation of liability, unless explicitly otherwise agreed to in writing by NXP Semiconductors. In case of any inconsistency or conflict between information in this document and such terms and conditions, the latter will prevail.

No offer to sell or license — Nothing in this document may be interpreted or construed as an offer to sell products that is open for acceptance or the grant, conveyance or implication of any license under any copyrights, patents or other industrial or intellectual property rights.

16.4 Trademarks

Notice: All referenced brands, product names, service names and trademarks are the property of their respective owners.

I²C-bus — logo is a trademark of NXP B.V.

17. Contact information

For more information, please visit: <http://www.nxp.com>

For sales office addresses, please send an email to: salesaddresses@nxp.com

18. Contents

1 General description 1

2 Features 1

3 Ordering information 2

3.1 Ordering options 2

4 Block diagram 3

5 Pinning information 4

5.1 Pinning 4

5.2 Pin description 5

6 Functional description 6

6.1 Device addressing 6

6.2 Control register 6

6.2.1 Control register definition 6

6.3 Interrupt handling 7

6.4 Power-on reset 8

6.5 Voltage translation 8

7 Characteristics of the I²C-bus 9

7.1 Bit transfer 9

7.2 START and STOP conditions 9

7.3 System configuration 9

7.4 Acknowledge 10

7.5 Bus transactions 11

8 Application design-in information 12

9 Limiting values 13

10 Static characteristics 14

11 Dynamic characteristics 16

12 Package outline 18

13 Soldering of SMD packages 21

13.1 Introduction to soldering 21

13.2 Wave and reflow soldering 21

13.3 Wave soldering 21

13.4 Reflow soldering 22

14 Abbreviations 23

15 Revision history 24

16 Legal information 26

16.1 Data sheet status 26

16.2 Definitions 26

16.3 Disclaimers 26

16.4 Trademarks 26

17 Contact information 26

18 Contents 27

Please be aware that important notices concerning this document and the product(s) described herein, have been included in section 'Legal information'.

