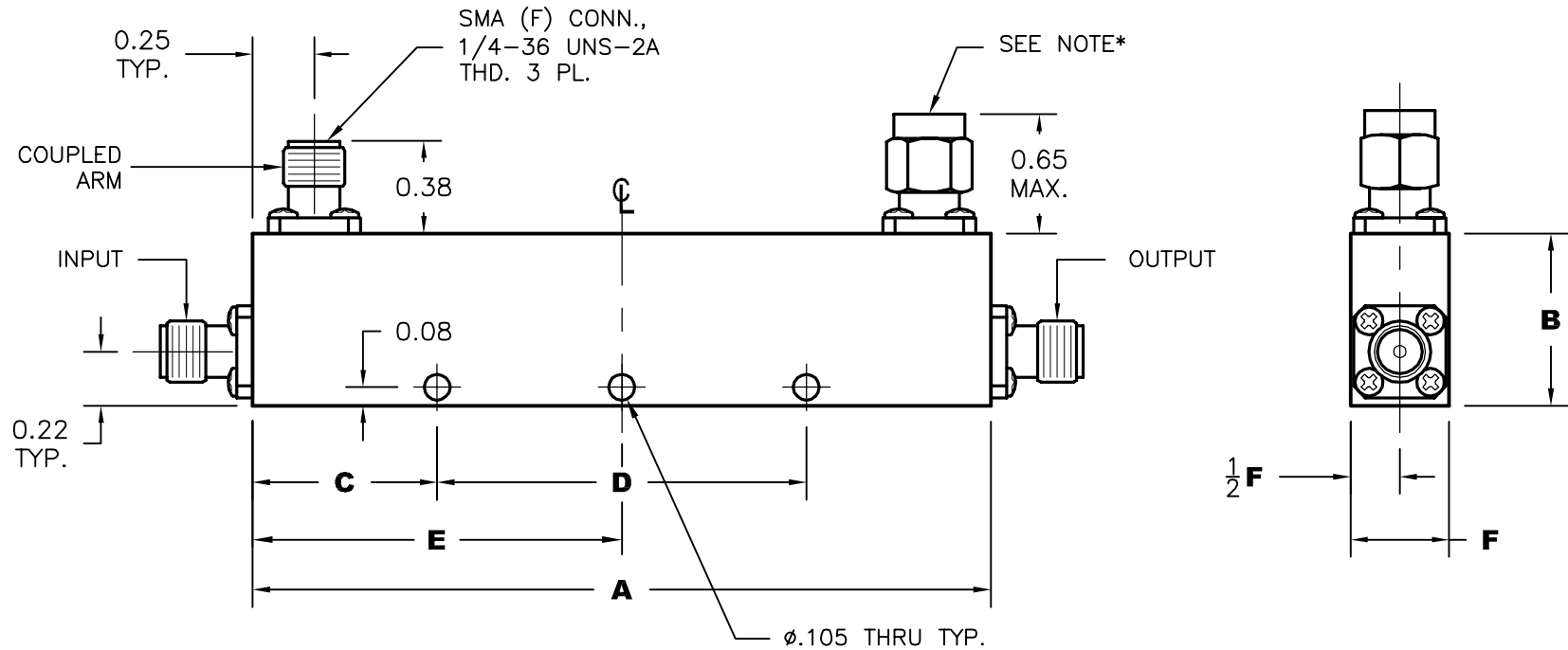


REV A	AUTH RL	DATE 07/17/01	INITIAL RELEASE
REV B	AUTH RL	DATE 08/24/07	TITLE BLOCK UPDATED, TERMINATION NOTE ADDED.



DIMENSIONS IN INCHES						
FIGURE	A	B	C	D	E	F
1	3.10	0.50	0.80	1.50	---	0.40
2	3.10	0.55	0.80	1.50	---	0.40
3	1.78	0.50	0.42	0.94	---	0.40
4	1.78	0.55	0.42	0.94	---	0.40
5	1.16	0.50	0.41	0.34	---	0.40
6	1.16	0.55	0.41	0.34	---	0.40
7	1.00	0.50	---	---	0.50	0.40
8	1.00	0.55	---	---	0.50	0.40

*NOTE: SECONDARY TERMINATION CAN BE INTERNAL OR EXTERNAL DEPENDING ON MODEL AND SHOULD NOT BE REMOVED. FOR CONNECTORIZED LOADS CONSULT FACTORY.

THIRD ANGLE PROJECTION:		APPROVALS	DATE		ADVANCED TECHNICAL MATERIALS, INC.		THE INFORMATION IN THIS DRAWING IS PROPRIETARY AND SHALL NOT BE USED OR DISCLOSED WITHOUT THE PRIOR WRITTEN CONSENT OF ATM, INC. DO NOT SCALE DWG.
UNLESS OTHERWISE NOTED, DIMENSIONS ARE IN INCHES, TOLERANCES ARE: FRACTIONS: ±1/64 ANGLES: ±1/2°		DRAWN RL	7/17/01		TEL: (631) 289-0363 FAX: (631) 289-0358		
BASIC DIMENSION	DECIMALS 2 PLACE	DECIMALS 3 PLACE	APRVD.	OUTLINE, HIGH POWER DIREC. COUPLER, SMA			
UNDER 6"	±.02	±.005	MATERIAL -				
6" - 12"	±.03	±.010	TREATMENT -				
OVER 12"	±.06	±.015	FINISH ATM STD. GRAY	SIZE A	CAGE CODE OR8N4	ATM DWG # 4446W	REVISION B
				SCALE NONE	MODEL # CH11X-XX	SHEET 1/1	