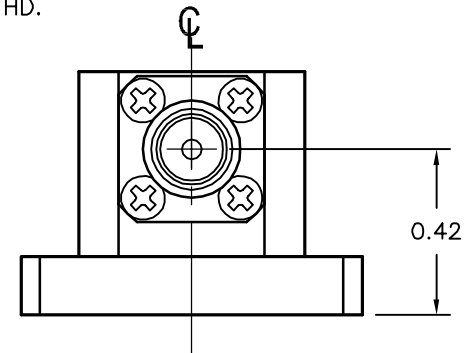
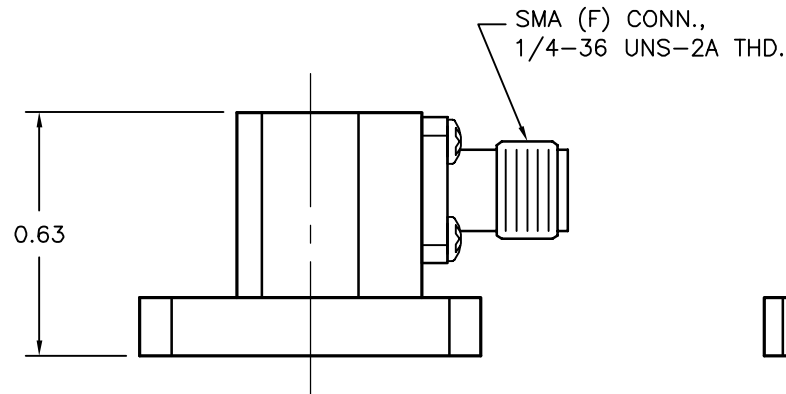
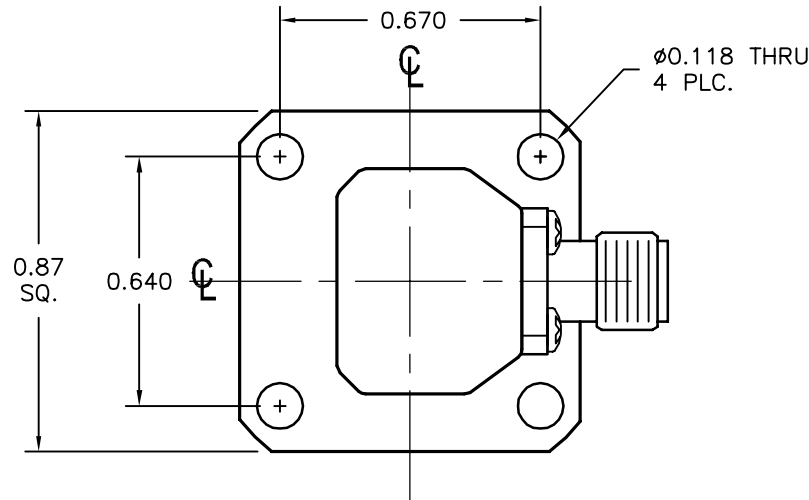


REV A	AUTH RL	DATE 11/03/07	INITIAL RELEASE
----------	------------	------------------	-----------------



### MODEL SPECIFICATIONS

#### MECHANICAL

MODEL NUMBER: 42-251ZA-6

MATERIAL:

BODY: 6061/T-6 ALUM.

CONNECTORS: STAINLESS STEEL

FINISH: UNIQUE CORROSION RESISTANT  
FLANGES: 316 STAINLESS STEEL EPOXY COATING  
UG-COVER STD., OTHERS AVAILABLE  
UPON REQUEST

#### ELECTRICAL

FREQ. RANGE: 18.0-26.5 GHz  
POWER: 50 CW, 3kW PEAK  
VSWR: 1.20 MAX.

THIRD ANGLE PROJECTION:		APPROVALS	DATE	<b>ADVANCED TECHNICAL MATERIALS, INC.</b> TEL: (631) 289-0363 FAX: (631) 289-0358 www.atmmicrowave.com		<small>THE INFORMATION IN THIS DRAWING IS PROPRIETARY AND SHALL NOT BE USED OR DISCLOSED WITHOUT THE PRIOR WRITTEN CONSENT OF AT&amp;T, INC. DO NOT SCALE DWG.</small>		
UNLESS OTHERWISE NOTED, DIMENSIONS ARE IN INCHES, TOLERANCES ARE: FRACTIONS: ±1/64 ANGLES: ±1/2°		DRAWN RL	11/03/07					
BASIC DIMENSION	DECIMALS 2 PLACE	3 PLACE	APRVD.	<b>OUTLINE, WR42 W/G COAX ADAPTER,</b>				
UNDER 6"	±.02	±.005	MATERIAL -					
6" - 12"	±.03	±.010	TREATMENT -					
OVER 12"	±.06	±.015	FINISH -					
SIZE A	CAGE CODE OR8N4	ATM DWG # 8234	REVISION A	SCALE NONE		MODEL # 42-251ZA-6		SHEET 1/1