

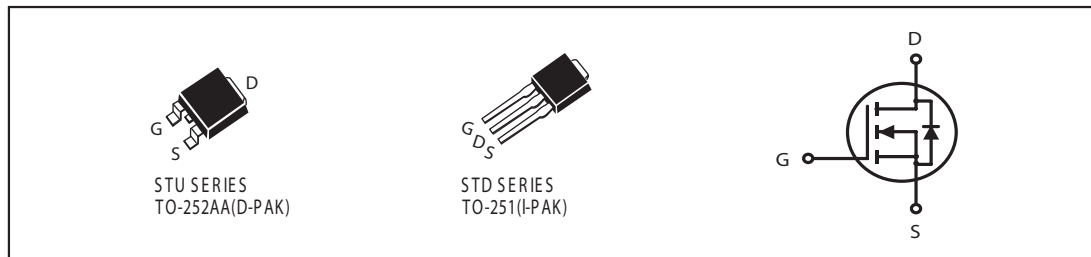


N-Channel Logic Level Enhancement Mode Field Effect Transistor

PRODUCT SUMMARY		
V _{DSS}	I _D	R _{DS(ON)} (mΩ) Typ
40V	53A	8 @ V _{GS} = 10V
		10 @ V _{GS} = 4.5V

FEATURES

- Super high dense cell design for low R_{DS(ON)}.
- Rugged and reliable.
- TO-252 and TO-251 Package.



ABSOLUTE MAXIMUM RATINGS (Ta=25°C unless otherwise noted)

Parameter	Symbol	Limit	Unit
Drain-Source Voltage	V _{DS}	40	V
Gate-Source Voltage	V _{GS}	± 20	V
Drain Current-Continuous @ Ta= 25°C	I _D	53	A
	-Pulsed ^a	I _{DM}	100
Drain-Source Diode Forward Current	I _S	20	A
Avalanche Current ^c	I _{AS}	20	A
Avalanche Energy ^c	E _{AS}	100	mJ
Maximum Power Dissipation @ Ta= 25°C	P _D	50	W
Operating Junction and Storage Temperature Range	T _J , T _{STG}	-55 to 175	°C

THERMAL CHARACTERISTICS

Thermal Resistance, Junction-to-Case	R _{θJC}	3	°C/W
Thermal Resistance, Junction-to-Ambient	R _{θJA}	50	°C/W

STU/D426S

ELECTRICAL CHARACTERISTICS (T_c=25 °C unless otherwise noted)

Parameter	Symbol	Condition	Min	Typ ^c	Max	Unit
OFF CHARACTERISTICS						
Drain-Source Breakdown Voltage	BV _{DSS}	V _{GS} =0V, I _D =250uA	40			V
Drain-Source Breakdown Voltage ^d	BV _{DSS}	V _{GS} =0V, I _D =10mA	45			V
Zero Gate Voltage Drain Current	I _{DSS}	V _{DS} =32V, V _{GS} =0V			1	uA
Gate-Body Leakage	I _{GSS}	V _{GS} =±20V, V _{DS} =0V			±100	nA
ON CHARACTERISTICS^a						
Gate Threshold Voltage	V _{GS(th)}	V _{DS} =V _{GS} , I _D =250uA	1	1.6	3	V
Drain-Source On-State Resistance	R _{DS(ON)}	V _{GS} =10V, I _D =10A		8	10	m ohm
		V _{GS} =4.5V, I _D =5A		10	12	m ohm
On-State Drain Current	I _{D(ON)}	V _{DS} =10V, V _{GS} =10V	30			A
Forward Transconductance	g _{FS}	V _{DS} =10V, I _D =10A		26		S
DYNAMIC CHARACTERISTICS^b						
Input Capacitance	C _{ISS}	V _{DS} =15V, V _{GS} =0V f=1.0MHz		1600		pF
Output Capacitance	C _{OSS}			280		pF
Reverse Transfer Capacitance	C _{RSS}			150		pF
Gate resistance	R _g	V _{GS} =0V, V _{DS} =0V, f=1.0MHz		0.3		ohm
SWITCHING CHARACTERISTICS^b						
Turn-On Delay Time	t _{D(ON)}	V _{DD} =15V I _D =1A V _{GS} =10V R _{GEN} =6 ohm		20		ns
Rise Time	t _r			21		ns
Turn-Off Delay Time	t _{D(OFF)}			45		ns
Fall Time	t _f			16		ns
Total Gate Charge	Q _g	V _{DS} =15V, I _D =10A, V _{GS} =10V		32		nC
		V _{DS} =15V, I _D =10A, V _{GS} =4.5V		15		nC
Gate-Source Charge	Q _{gs}	V _{DS} =15V, I _D =10A		3.5		nC
Gate-Drain Charge	Q _{gd}	V _{GS} =10V		7.3		nC

STU/D426S

ELECTRICAL CHARACTERISTICS ($T_c=25^\circ\text{C}$ unless otherwise noted)

Parameter	Symbol	Condition	Min	Typ	Max	Unit
DRAIN-SOURCE DIODE CHARACTERISTICS ^a						
Diode Forward Voltage	V_{SD}	$V_{GS} = 0V, I_s = 20A$		0.95	1.3	V

Notes

- Pulse Test: Pulse Width $\leq 300\mu\text{s}$, Duty Cycle $\leq 2\%$.
- Guaranteed by design, not subject to production testing.
- Starting $T_j=25^\circ\text{C}$, $L=0.5\text{mH}$, $R_G=25\Omega$, $I_{AS}=20A$, $V_{DD} \leq V_{(BR)DSS}$ (See Figure15)
- Pulse Test: Pulse Width $\leq 1\mu\text{s}$, Duty Cycle $\leq 1\%$.

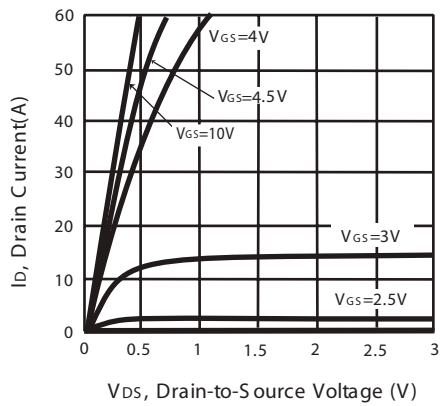


Figure 1. Output Characteristics

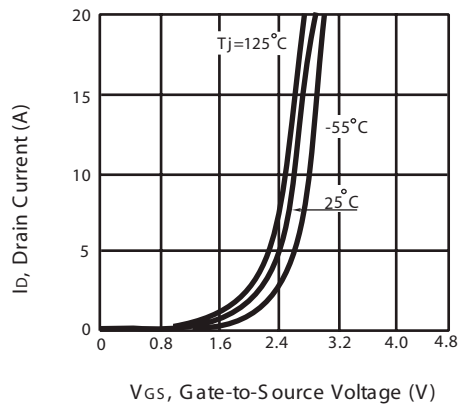


Figure 2. Transfer Characteristics

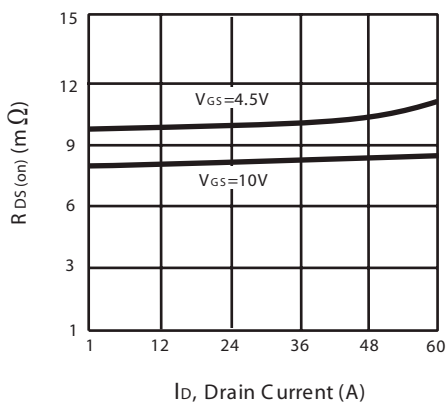


Figure 3. On-Resistance vs. Drain Current and Gate Voltage

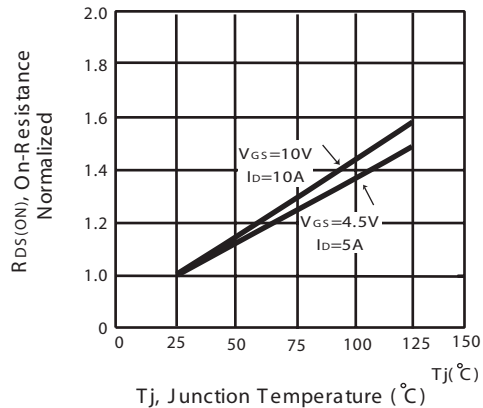


Figure 4. On-Resistance Variation with Drain Current and Temperature

STU/D426S

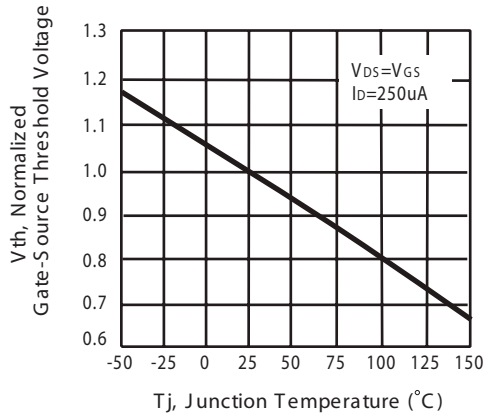


Figure 5. Gate Threshold Variation with Temperature

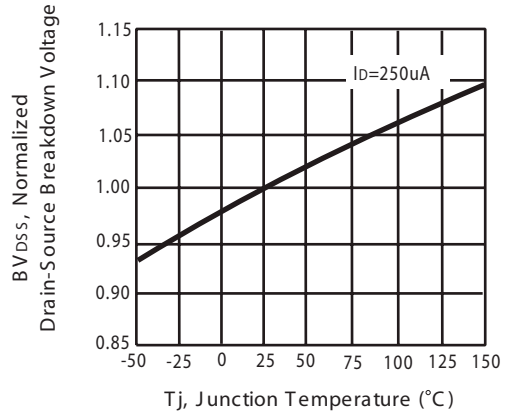


Figure 6. Breakdown Voltage Variation with Temperature

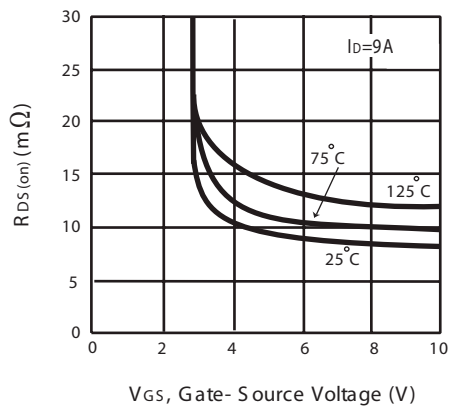


Figure 7. On-Resistance vs. Gate-Source Voltage

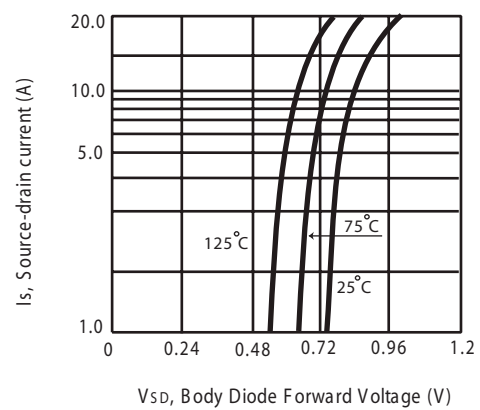


Figure 8. Body Diode Forward Voltage Variation with Source Current

STU/D426S

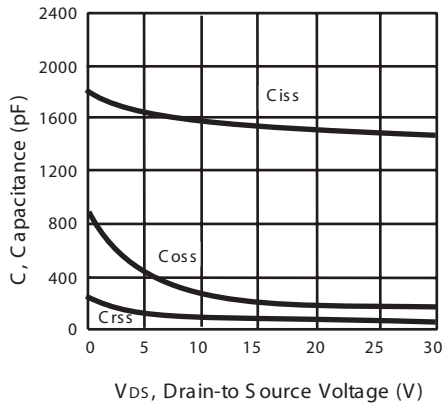


Figure 9. Capacitance

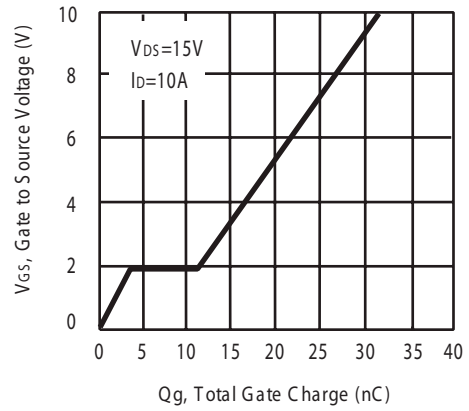


Figure 10. Gate Charge

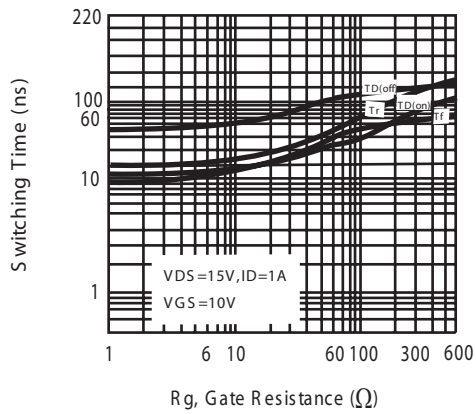


Figure 11. switching characteristics

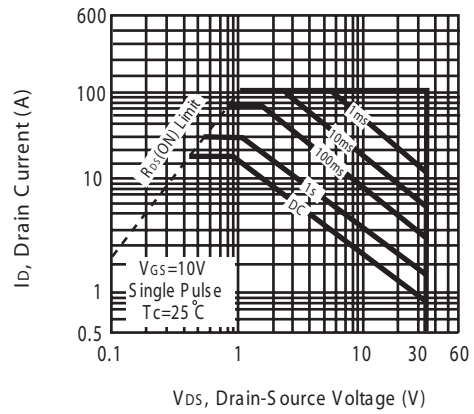


Figure 12. Maximum Safe Operating Area

STU/D426S

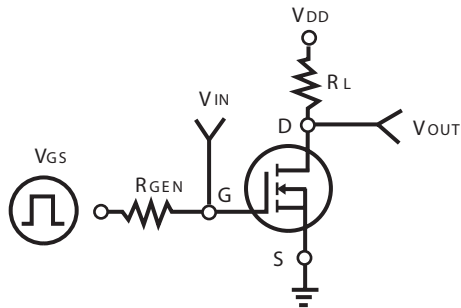


Figure 13. Switching Test Circuit

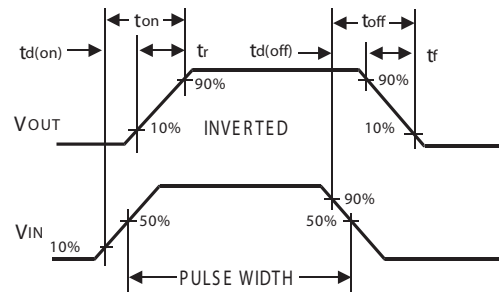
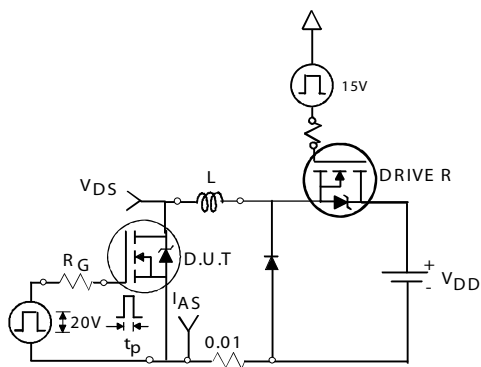
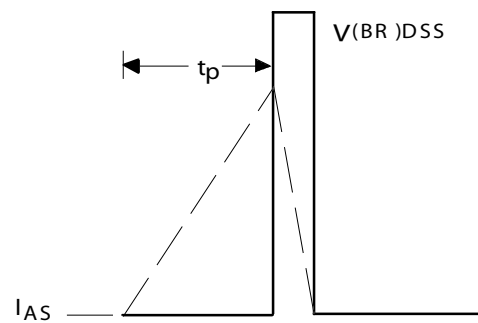


Figure 14. Switching Waveforms



Unclamped Inductive Test Circuit

Figure 15a.



Unclamped Inductive Waveforms

Figure 15b.

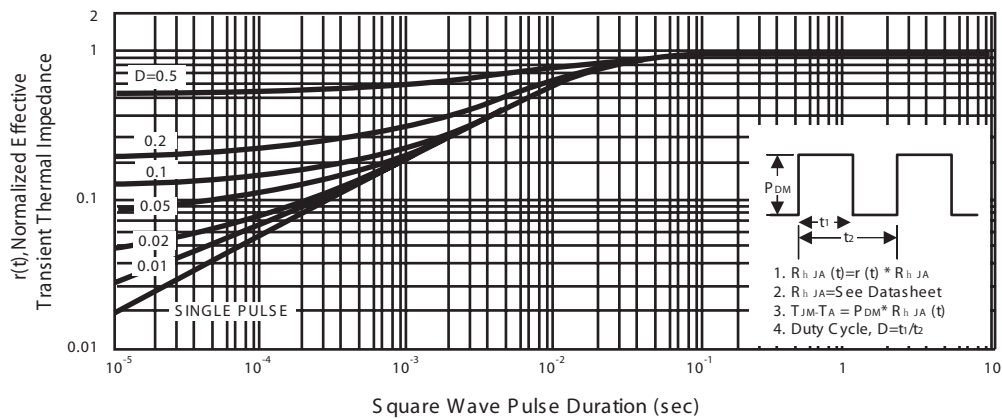
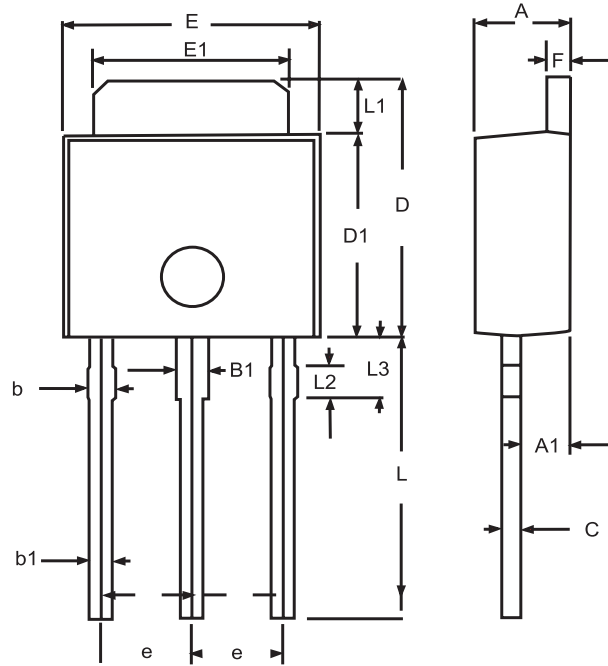


Figure 16. Normalized Thermal Transient Impedance Curve

STU/D426S

PACKAGE OUTLINE DIMENSIONS

TO-251

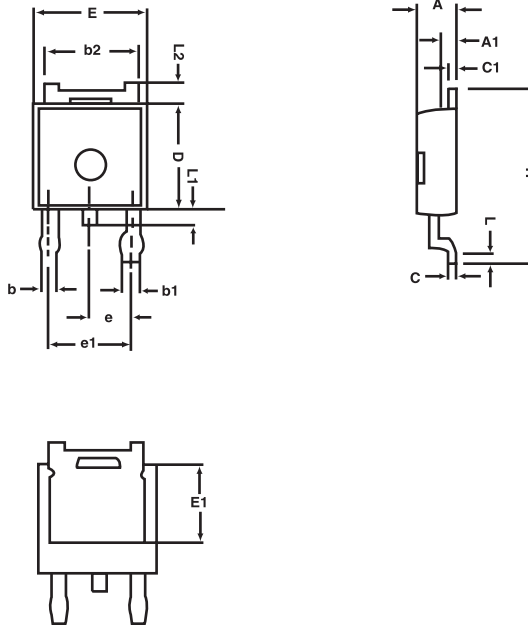


SYMBOLS	MILLIMETERS		INCHES	
	MIN	MAX	MIN	MAX
A	2.20	2.40	0.087	0.095
A1	1.100	1.300	0.043	0.051
B1	0.650	1.050	0.026	0.041
b	0.500	0.900	0.020	0.035
b1	0.400	0.800	0.016	0.32
C	0.400	0.600	0.016	0.024
D	6.700	7.300	0.264	0.287
D1	5.400	5.650	0.213	0.222
E	6.40	6.650	0.252	0.262
e	2.100	2.500	0.083	0.098
F	0.400	0.600	0.016	0.024
L	7.000	8.000	0.276	0.315
L1	1.300	1.700	0.051	0.067
L2	0.700	0.900	0.028	0.035
L3	1.400	1.800	0.055	0.071

STU/D426S

PACKAGE OUTLINE DIMENSIONS

TO-252

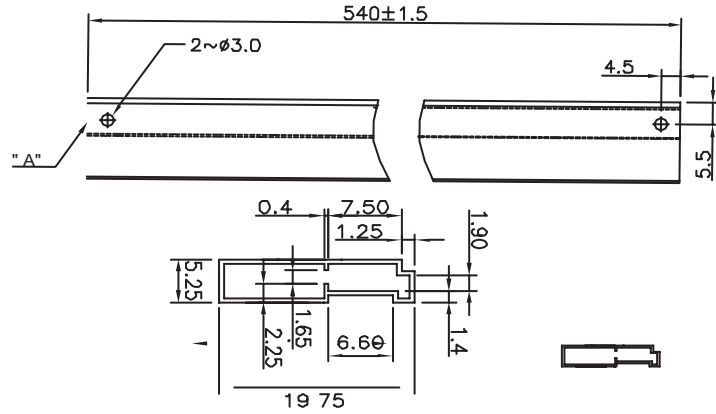


SYMBOLS	MILLIMETERS		INCHES	
	MIN	MAX	MIN	MAX
A	2.25	2.35	0.089	0.093
A1	0.95	1.05	0.037	0.041
b	0.77	0.85	0.030	0.033
b1	0.84	0.94	0.033	0.037
b2	5.30	5.45	0.209	0.215
C	0.49	0.53	0.019	0.021
D	6.00	6.20	0.236	0.244
E	6.40	6.60	0.252	0.260
E1	3.18	3.67	0.125	0.145
e	2.29	BSC	0.090	BSC
H	9.70	10.10	0.382	0.398
L	1.425	1.625	0.056	0.064
L1	0.650	0.850	0.026	0.033
L2	0.600	REF .	0.024	REF .

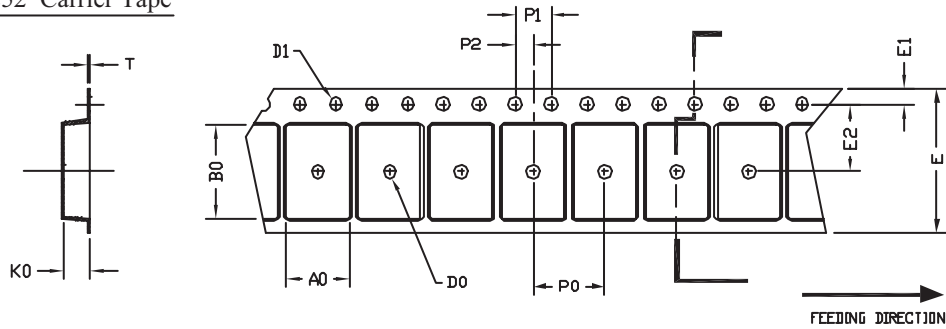
STU/D426S

TO251 Tube/TO-252 Tape and Reel Data

TO-251 Tube



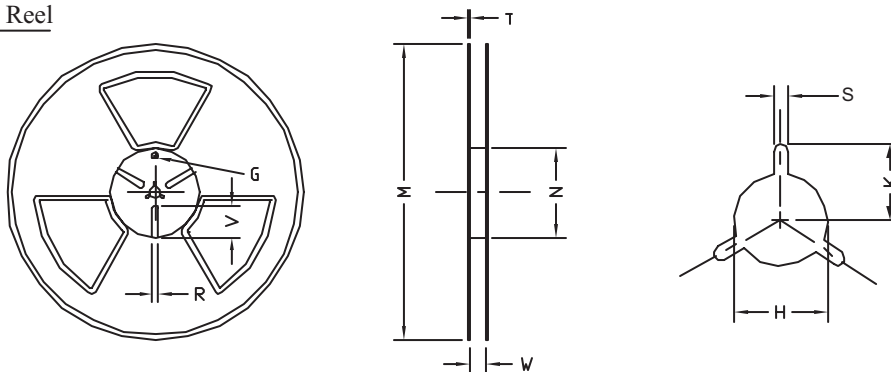
TO-252 Carrier Tape



UNIT:mm

PACKAGE	A0	B0	K0	D0	D1	E	E1	E2	P0	P1	P2	T
TO-252 (16 mm)	6.80 ±0.1	10.3 ±0.1	2.50 ±0.1	∅ 2	∅ 1.5 + 0.1 - 0	16.0 0.3±	1.75 0.1±	7.5 ±0.15	8.0 ±0.1	4.0 ±0.1	2.0 ±0.15	0.3 ±0.05

TO-252 Reel



UNIT:mm

TAPE SIZE	REEL SIZE	M	N	W	T	H	K	S	G	R	V
16 mm	∅ 330	∅ 330 ± 0.5	∅ 97 ± 1.0	17.0 + 1.5 - 0	2.2	∅ 13.0 + 0.5 - 0.2	10.6	2.0 ±0.5	---	---	---