

GOA9xx12

THREE PHASE AC-SWITCH

Fuse protection
Blown fuse indicators with microswitch
Over temperature switches
Fan loss detection circuit
Snubber for SCR's protections
Extractable stacks for easy field service

LINE VOLTAGE UP TO 500V
RMS OUTPUT CURRENT 1200 A

GOA94012 GOA95012

| | | |
|----------------------|-------|-------|
| Line to line voltage | 400 V | 500 V |
|----------------------|-------|-------|

| Characteristic | | Conditions | Value | Value |
|-----------------------|--------------------|------------|--------|--------|
| I _{RMS} | RMS output current | | 1200 A | 1200 A |
| V _{INS} (DC) | Insulation voltage | | 3000 V | 3000 V |

THYRISTOR CHARACTERISTICS

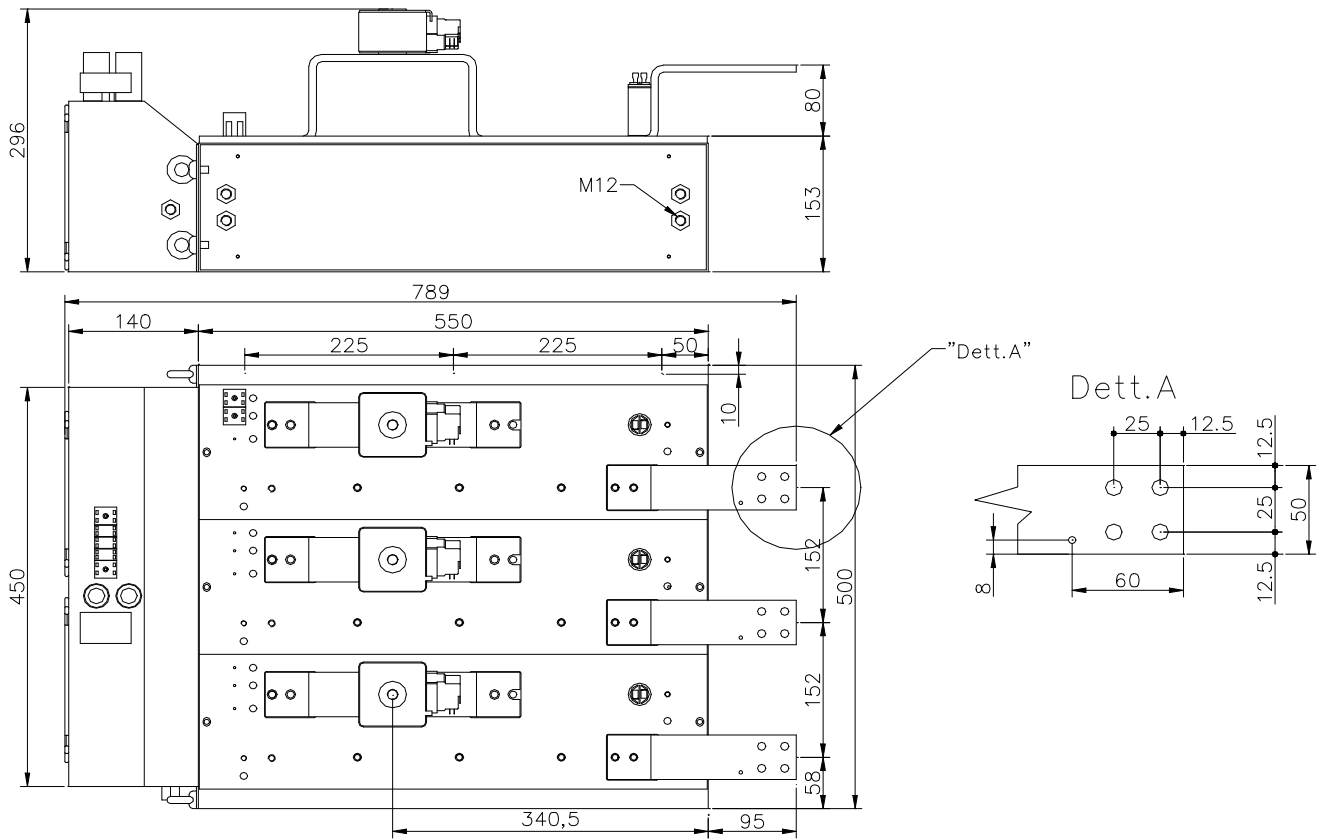
| | | | | |
|------------------|---|--|-----------|-----------|
| V _{GT} | Gate trigger voltage | T _j = 25 °C, V _d = 5 V | 3 V | 3 V |
| I _{GT} | Gate trigger current | T _j = 25 °C, V _d = 5 V | 300 mA | 300 mA |
| dV/dt | Critical rate of rise off-state voltage | T _j = 125 °C | 1000 V/us | 1000 V/us |
| V _{RRM} | Blocking Voltage | T _j = 125 °C | 1200 V | 1600 V |

FUSE TYPE SIBA 2068132.1400

| | | | | |
|-----------------------------|-----------------------------------|------------------|------------------------|------------------------|
| V _{NF} | Rated voltage | | 690 V | 690 V |
| I _{NF} | Rated current | | 1400 A | 1400 A |
| P _{VF} | Power loss | At rated current | 161 W | 161 W |
| I ² _t | Total I ² _t | At 660V | 2200 kA ² s | 2200 kA ² s |

MECHANICAL AND THERMAL CHARACTERISTICS

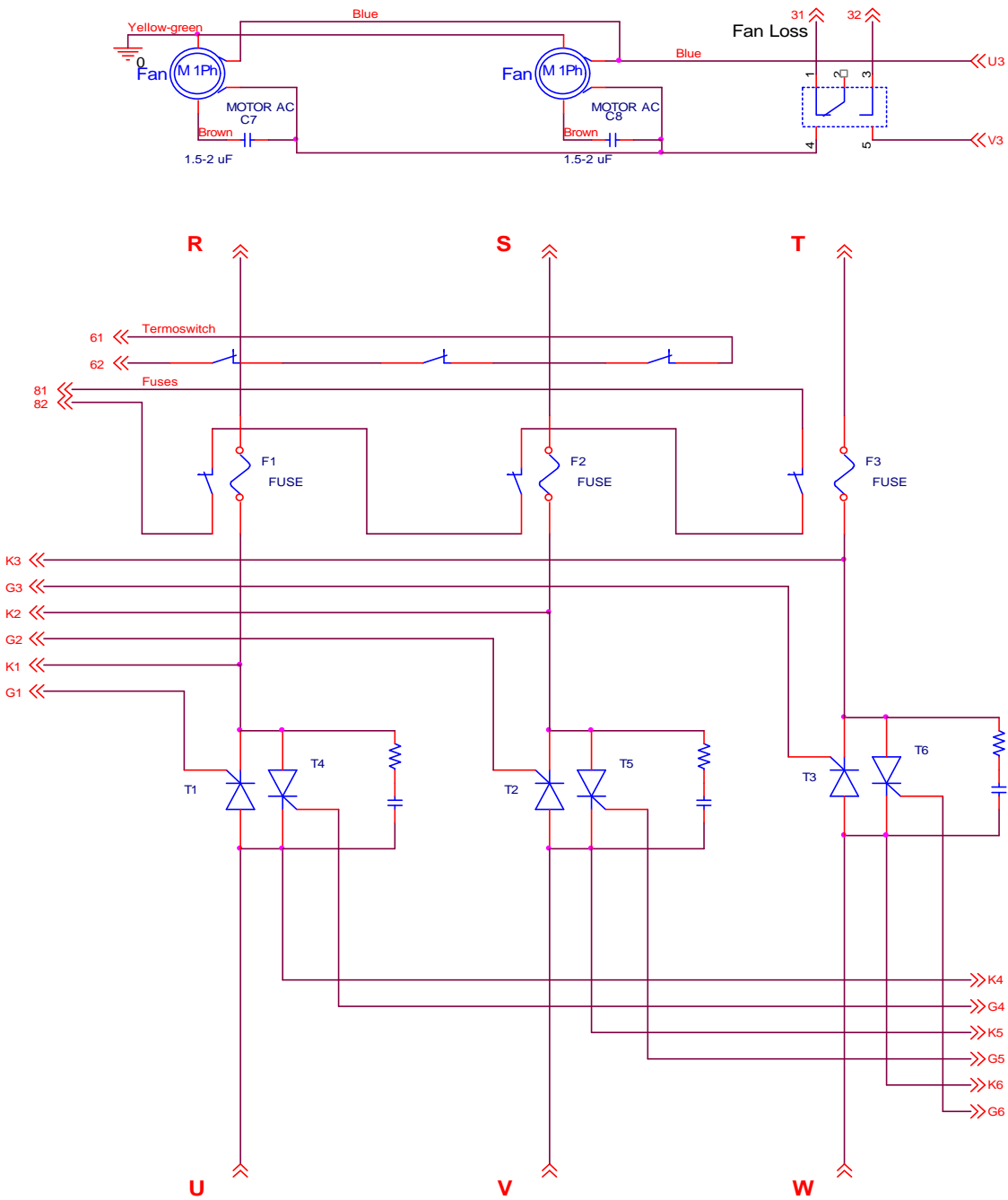
| | | | | |
|--------------------|---------------------|--|-----------|-----------|
| | Width | | 500 mm | 500 mm |
| | Depth | | 275 mm | 275 mm |
| | Height | | 855 mm | 855 mm |
| | Mass | | 70 kg | 70 kg |
| T _{a max} | Max amb. op. Temp. | | 40 °C | 40 °C |
| T _{stg} | Storage temperature | | -40/60 °C | -40/60 °C |



The part numbering system is reported at the beginning of the Open Assembly section.

Customisations are available on request. Please contact factory.

In the interest of product improvement Green Power Solutions reserves the right to change any specification given in this data sheet without notice.



Cooling:

Fan type: single phase axial
 Number of fans: 2
 Voltage: 230 V
 Current: 0.4 A
 Frequency: 50/60 Hz
 Noise: 62 dBA

In the interest of product improvement Green Power Solutions reserves the right to change any specification given in this data sheet without notice.