

## General Description

The AOZ8011 is an 8-line device integrating EMI filtering with ESD protection for each line. It is designed to suppress unwanted EMI/RFI signals and provide electrostatic discharge (ESD) protection in portable electronic equipment. This state-of-the-art device utilizes AOS leading edge Trench Vertical Structure [TVS]<sup>2</sup>™ technology for superior clamping performance and filter attenuation over the full operating display range. The AOZ8011 has been optimized for protection of color LCD displays and CCD camera lines in cellular phones and other portable consumer electronic devices.

The AOZ8011 consists of eight identical circuits comprised of TVS diodes for ESD protection, and a resistor–capacitor network for EMI/RFI filtering. A series resistor value of 100Ω and a capacitance value of 17pF are used to achieve -25dB minimum attenuation from 800MHz to 3.0GHz. The TVS diodes provide effective suppression of ESD voltages in excess of ±17kV (air discharge) and ±17kV (contact discharge). This exceeds IEC 61000-4-2, level 4 ESD immunity test.

The AOZ8011 comes in an RoHS compliant, 1.6mm x 4.0mm DFN package and is rated over a -40°C to +85°C ambient temperature range.

## Features

- 8 lines for EMI filtering and ESD protection:
  - Exceeds IEC 61000-4-2, level 4 (ESD) immunity test
  - ±17kV (air discharge) and ±17kV (contact discharge)
- Trench Vertical Structure [TVS]<sup>2</sup>™ based technology used to achieve excellent ESD clamping & filter performance over the full operating display range
- Filter performance: -25db attenuation from 800MHz to 3.0GHz
- Low operating voltage: 5.0V
- Capacitance stability over wide range of voltages and temperatures
- DFN package 1.6 x 4.0 mm
- Pb-Free device

## Applications

- EMI filtering and ESD protection for data lines
- LCD displays, camera interface, I/O interface
- Portable handheld devices, cell phones, PDA phones

## Electrical Schematic (each channel)

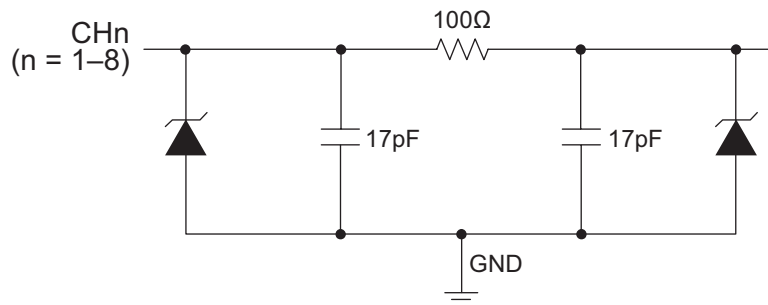



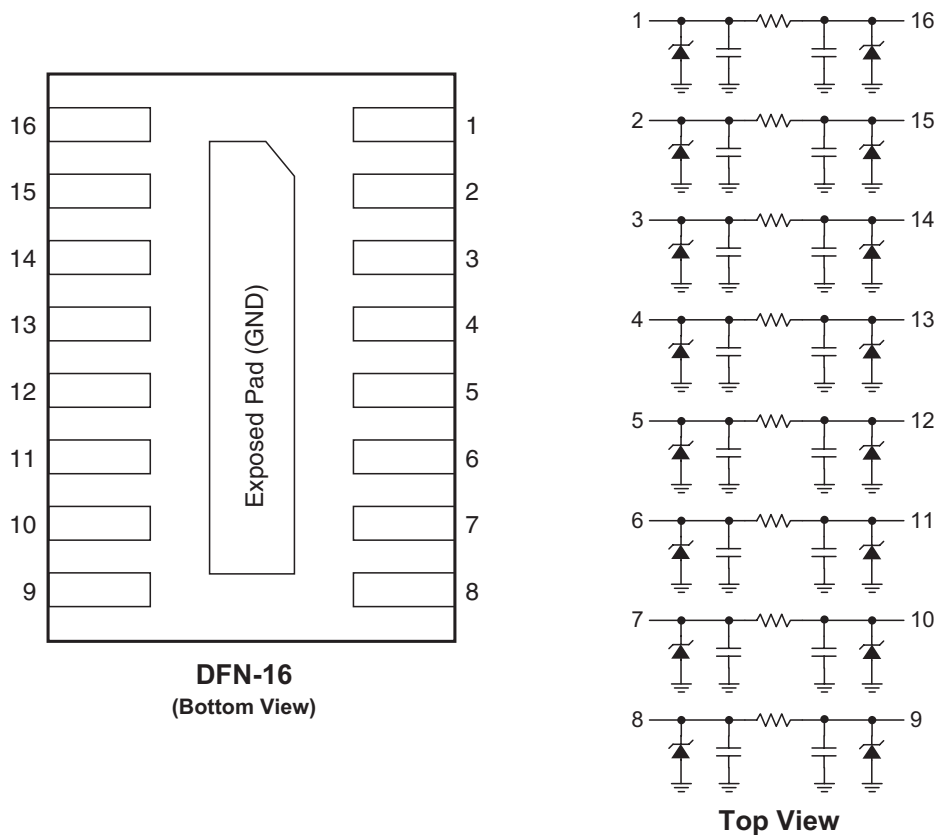
Figure 1.

### Ordering Information

Part Number	Ambient Temperature Range	Package	Environmental
AOZ8011DI	-40°C to +85°C	DFN-16	RoHS Compliant

 All AOS Products are offering in packaging with Pb-free plating and compliant to RoHS standards. Please visit [www.aosmd.com/web/quality/rohs\\_compliant.jsp](http://www.aosmd.com/web/quality/rohs_compliant.jsp) for additional information.

### Pin Configuration



### Pin Description

Pin Number	Pin Name	Pin Function
1,16	CH 1	Channel 1 Connections
2, 15	CH 2	Channel 2 Connections
3, 14	CH 3	Channel 3 Connections
4, 13	CH 4	Channel 4 Connections
5, 12	CH 5	Channel 5 Connections
6, 11	CH 6	Channel 6 Connections
7, 10	CH 7	Channel 7 Connections
8, 9	CH 8	Channel 8 Connections
Exposed Pad	GND	Common Ground Connection

## Absolute Maximum Ratings

Exceeding the Absolute Maximum ratings may damage the device.

Parameter	Rating
Storage Temperature ( $T_S$ )	-65°C to +150°C
ESD Rating per IEC61000-4-2, contact <sup>(1)</sup>	±17kV
ESD Rating per IEC61000-4-2, air <sup>(1)</sup>	±17kV
ESD Rating per Human Body Model <sup>(2)</sup>	±30kV

### Notes:

- IEC 61000-4-2 discharge with  $C_{Discharge} = 150\text{pF}$ ,  $R_{Discharge} = 330\Omega$ .
- Human Body Discharge per MIL-STD-883, Method 3015  $C_{Discharge} = 100\text{pF}$ ,  $R_{Discharge} = 1.5\text{k}\Omega$ .

## Electrical Characteristics

$T_A = 25^\circ\text{C}$  unless otherwise specified.

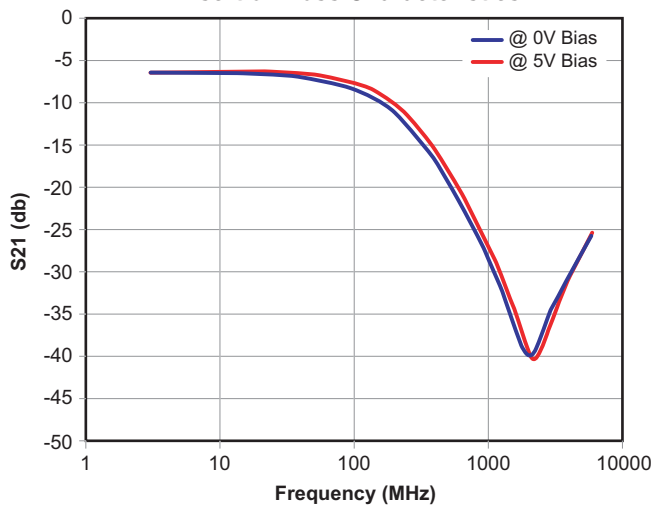
Symbol	Parameter	Conditions	Min.	Typ.	Max.	Units
$V_{RWM}$	Reverse Working Voltage	<sup>(3)(8)</sup>			5.0	V
$V_{BR}$	Reverse Breakdown Voltage	$I_T = 1\text{mA}$ <sup>(4)</sup>	6	7	8	V
$I_R$	Reverse Leakage Current	$V_{RWM} = 3.3\text{V}$			0.1	μA
$V_{CL}$	Signal Clamp Voltage	$I_{LOAD} = 12\text{A}$ , positive clamp <sup>(5)(8)</sup> $I_{LOAD} = 12\text{A}$ , negative clamp <sup>(5)(8)</sup>		7.5 -6.5	8.5 -7.5	V
$R_{CH}$	Total Series Resistance	$I_R = 20\text{mA}$	85	100	115	Ω
$C_{CH}$	Channel Capacitance	Input to Ground <sup>(6)(7)(8)</sup>	15	17	19	pF
$f_C$	Cut-off Frequency	Measured with 50Ω source and 50Ω load termination		125		MHz
	Attenuation from 800MHz to 3.0GHz	Measured with 50Ω source and 50Ω load termination		-25		dB

### Notes:

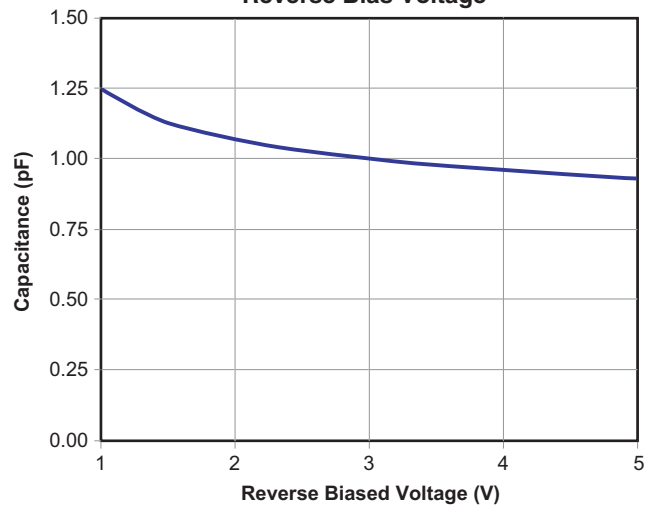
- The working peak reverse voltage,  $V_{RWM}$ , should be equal to or greater than the DC or continuous peak operating voltage level.
- $V_{BR}$  is measured at the pulse test current  $I_T$ .
- Measurements performed using a 100ns Transmission Line Pulse (TLP) system.
- Total capacitance is equal to  $2 \times C_{CH}$ .
- Measured at 25°C,  $V_R = 2.5\text{V}$ ,  $f = 1.0\text{MHz}$ .
- Guaranteed by design.

## Typical Performance Characteristics

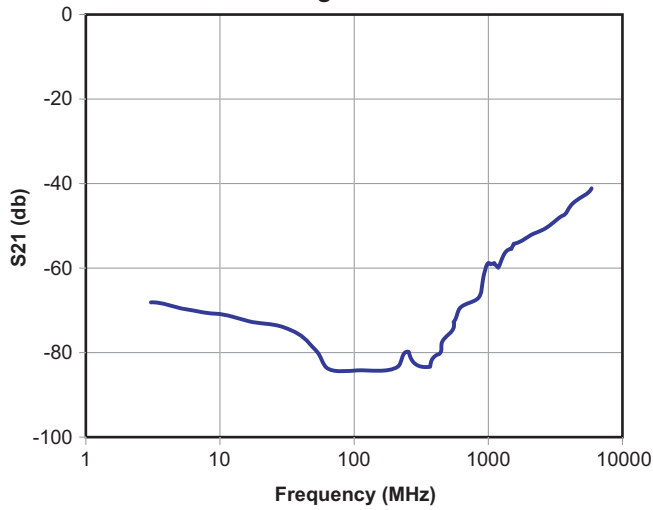
Insertion Loss Characteristics



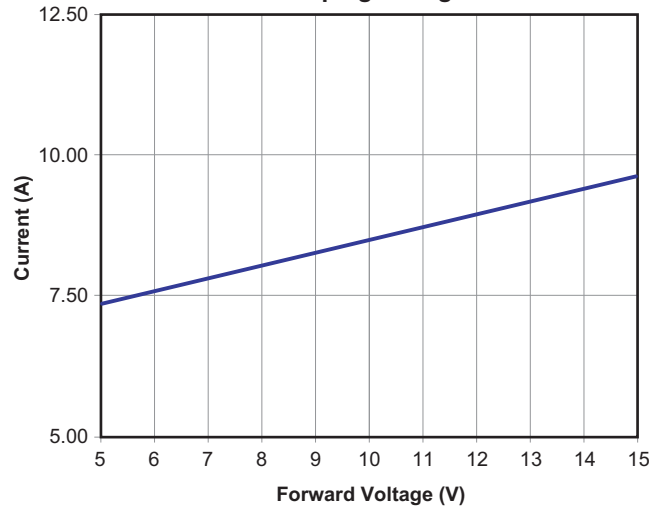
Typical Line Capacitance vs. Reverse Bias Voltage



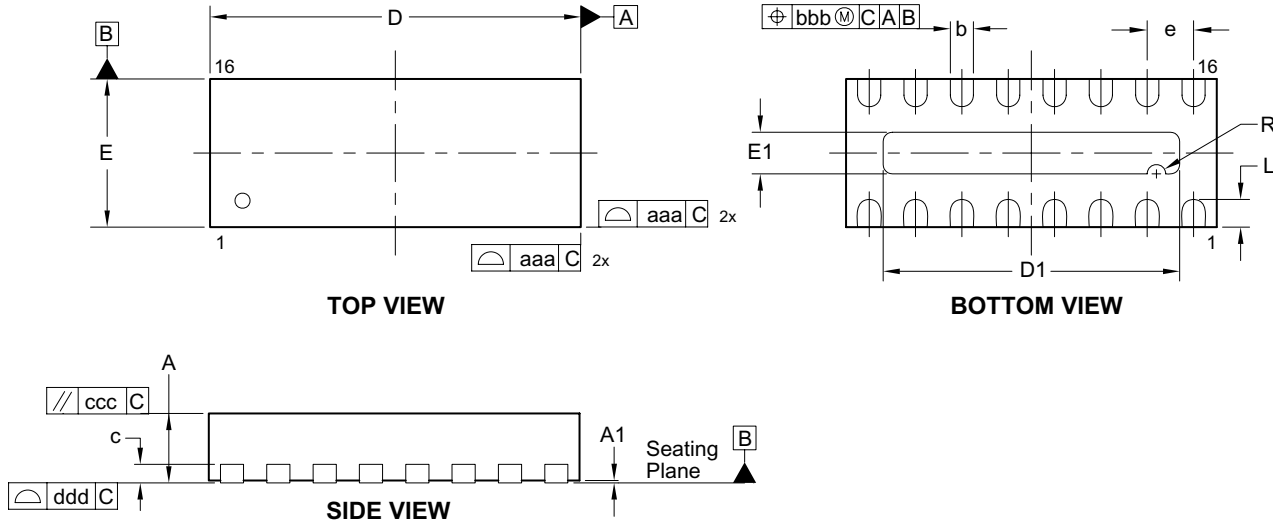
Analog Crosstalk



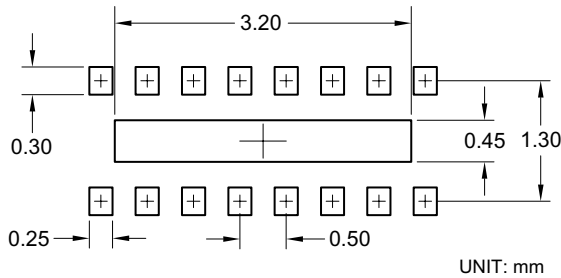
Clamping Voltage



Package Dimensions, DFN 1.6 x 4.0, 16L



RECOMMENDED LAND PATTERN



Dimensions in millimeters

Symbols	Min.	Nom.	Max.
A	0.70	0.75	0.80
A1	0.00	0.02	0.05
b	0.18	0.25	0.30
c	0.15	0.20	0.25
D	4.00 BSC		
D1	3.05	3.20	3.30
E	1.60 BSC		
E1	0.30	0.45	0.55
e	0.50 BSC		
L	0.20	0.30	0.40
R	0.10		
aaa	0.15		
bbb	0.10		
ccc	0.10		
ddd	0.08		

Dimensions in millimeters

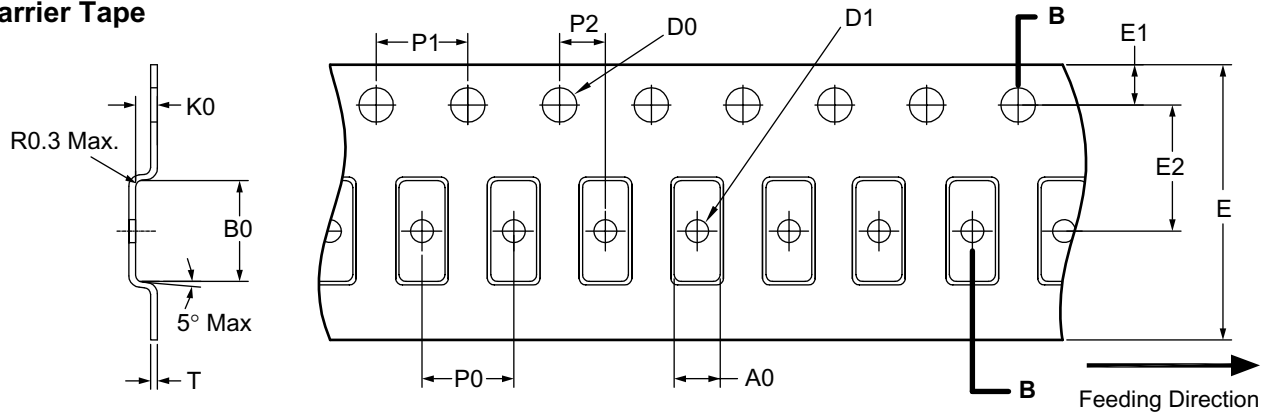
Symbols	Min.	Nom.	Max.
A	0.028	0.030	0.031
A1	0.000	0.001	0.002
b	0.007	0.010	0.012
c	0.006	0.008	0.010
D	0.157 BSC		
D1	0.120	0.126	0.130
E	0.063 BSC		
E1	0.012	0.018	0.022
e	0.020 BSC		
L	0.008	0.012	0.016
R	0.004		
aaa	0.006		
bbb	0.004		
ccc	0.004		
ddd	0.003		

Notes:

1. Dimensions and tolerancing conform to ASME Y14.5M-1994.
2. All dimensions are in millimeters.
3. Dimension b applies to metallized terminal and is measured between 0.10mm and 0.30mm from the terminal tip. If the terminal has the optional radius on the other end of the terminal, the dimension b should not be measured in that radius area.
4. Coplanarity ddd applies to the terminals and all other bottom surface metallization.

### Tape and Reel Dimensions, DFN 1.6 x 4.0

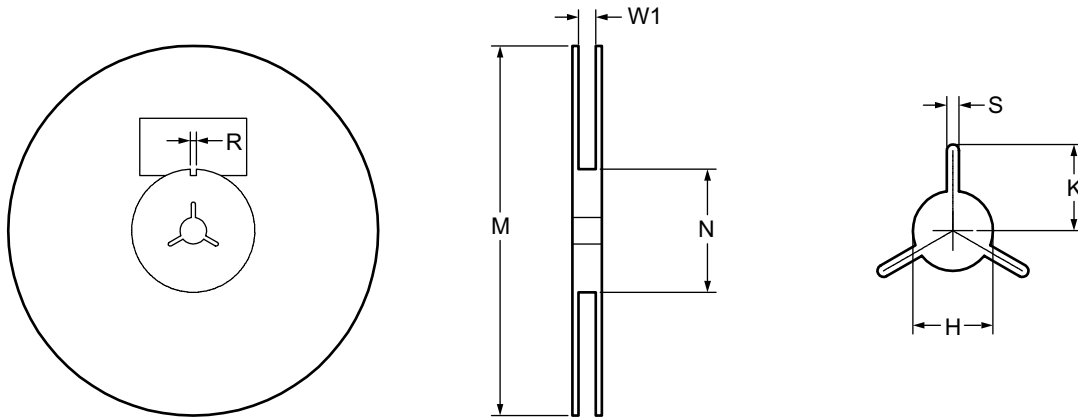
#### Carrier Tape



Unit: mm

Package	A0	B0	K0	D0	D1	E	E1	E2	P0	P1	P2	T
DFN 4x1.6	2.00 ±0.1	4.40 ±0.1	0.95 ±0.1	ø1.50 +0.1/-0	ø1.00 +0.1/-0	12.00 ±0.3	1.75 ±0.10	5.50 ±0.1	4.00 ±0.10	4.00 ±0.10	2.00 ±0.10	0.30 ±0.05

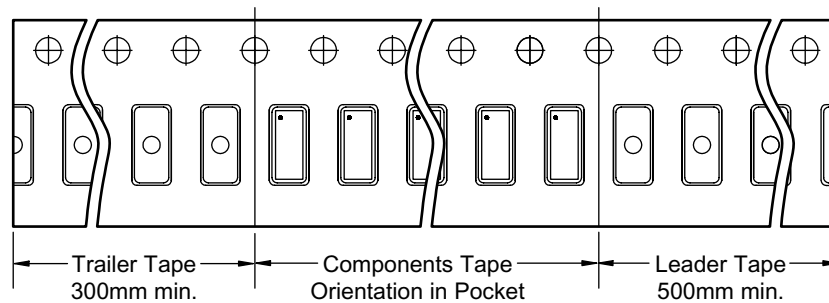
#### Reel



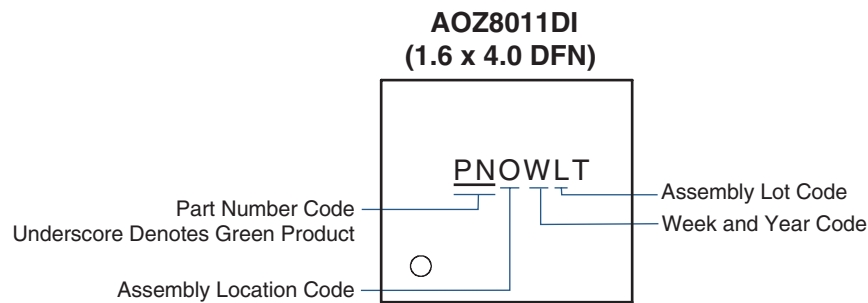
Unit: mm

Tape Size	Reel Size	M	N	W1	H	S	K	R
12mm	ø330	ø330.00 ±0.30/-4.00	55.00 ±0.40	12.4 +2.0/-0	13.00 ±0.20	2.20 ±0.20	10.60 ±0.20	—

#### Leader / Trailer & Orientation



## Package Marking



**This datasheet contains preliminary data; supplementary data may be published at a later date. Alpha & Omega Semiconductor reserves the right to make changes at any time without notice.**

### LIFE SUPPORT POLICY

ALPHA & OMEGA SEMICONDUCTOR PRODUCTS ARE NOT AUTHORIZED FOR USE AS CRITICAL COMPONENTS IN LIFE SUPPORT DEVICES OR SYSTEMS.

As used herein:

1. Life support devices or systems are devices or systems which, (a) are intended for surgical implant into the body or (b) support or sustain life, and (c) whose failure to perform when properly used in accordance with instructions for use provided in the labeling, can be reasonably expected to result in a significant injury of the user.
2. A critical component in any component of a life support, device, or system whose failure to perform can be reasonably expected to cause the failure of the life support device or system, or to affect its safety or effectiveness.