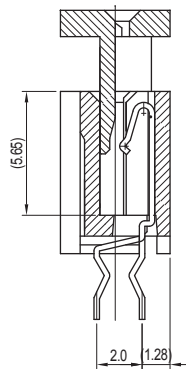
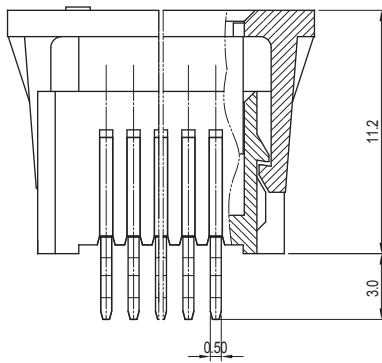
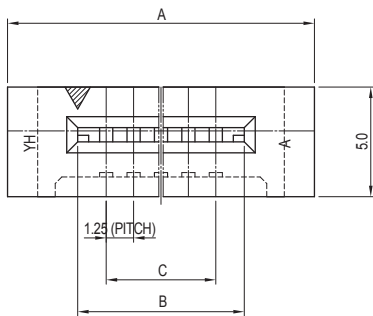
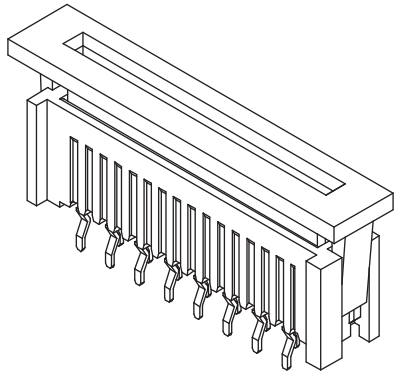


# 1.25mm (0.049") PITCH CONNECTOR



FPC/FFC Connector  
Housing

**12516HS Series**  
**DIP, ZIF(Vertical Through Hole)**  
**Straight**



## Material

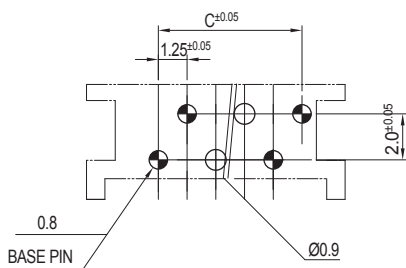
I/NO	DESCRIPTION	TITLE	MATERIAL
1	HOUSING	12516HS	PBT, UL 94V Grade
2	ACTUATOR	12516AS	PBT, UL 94V Grade
3	TERMINAL	12516TS	Phosphor Bronze & Tin plated

## Available Pin

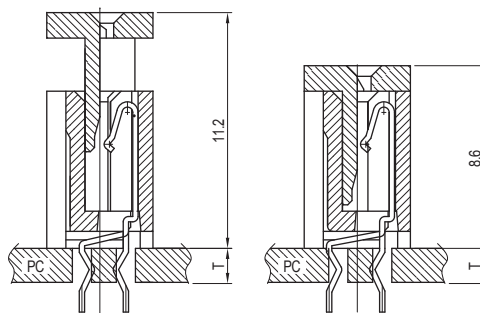
PARTS NO.	A	B	C
12516HS-04A00	12.75	6.35	3.75
12516HS-05A00	14.00	7.60	5.00
12516HS-06A00	15.25	8.85	6.25
12516HS-07A00	16.50	10.10	7.50
12516HS-08A00	17.75	11.35	8.75
12516HS-09A00	19.00	12.60	10.00
12516HS-10A00	20.25	13.85	11.25
12516HS-11A00	21.50	15.10	12.50
12516HS-12A00	22.75	16.35	13.75
12516HS-13A00	24.00	17.60	15.00
12516HS-14A00	25.25	18.85	16.25
12516HS-15A00	26.50	20.10	17.50
12516HS-16A00	27.75	21.35	18.75
12516HS-17A00	29.00	22.60	20.00
12516HS-18A00	30.25	23.85	21.25
12516HS-19A00	31.50	25.10	22.50
12516HS-20A00	32.75	26.35	23.75
12516HS-21A00	34.00	27.60	25.00
12516HS-22A00	35.25	28.85	26.25
12516HS-23A00	36.50	30.10	27.50
12516HS-24A00	37.75	31.35	28.75
12516HS-25A00	39.00	32.60	30.00
12516HS-26A00	40.25	33.85	31.25
12516HS-27A00	41.50	35.10	32.50
12516HS-28A00	42.75	36.35	33.75
12516HS-29A00	44.00	37.60	35.00
12516HS-30A00	45.25	38.85	36.25

## Specification

ITEM	SPEC
Voltage Rating	AC/DC 250V
Current Rating	AC/DC 1A
Operating Temperature	-25°C ~ +85°C
Contact Resistance	30mΩ MAX
Withstanding Voltage	AC500V/1min
Insulation Resistance	500MΩ MIN
Applicable Wire	-
Applicable P.C.B	1.2 ~ 1.6mm
Applicable FPC/FFC	0.30±0.05mm
Solder Height	-
Crimp Tensile Strength	-
UL FILE NO	-



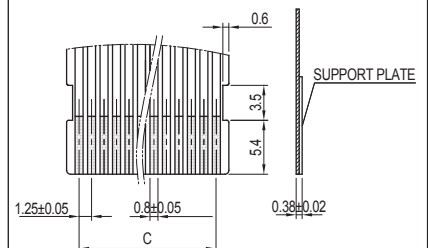
PCB LAYOUT



Actuator Open

Actuator Close

PCB ASS'Y



APPLICABLE FFC/FFC