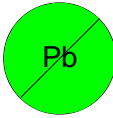


This component is RoHS compliant

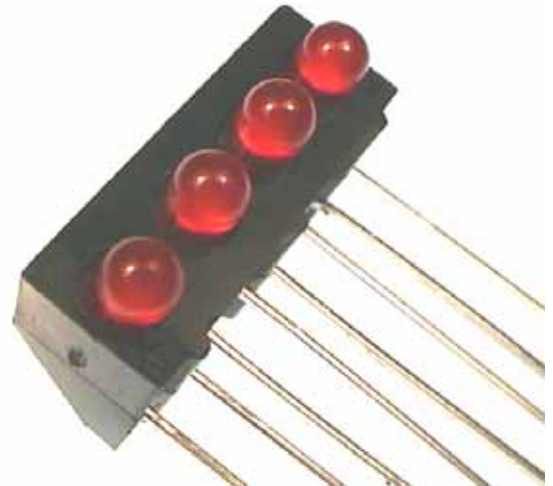


# BOT107Series

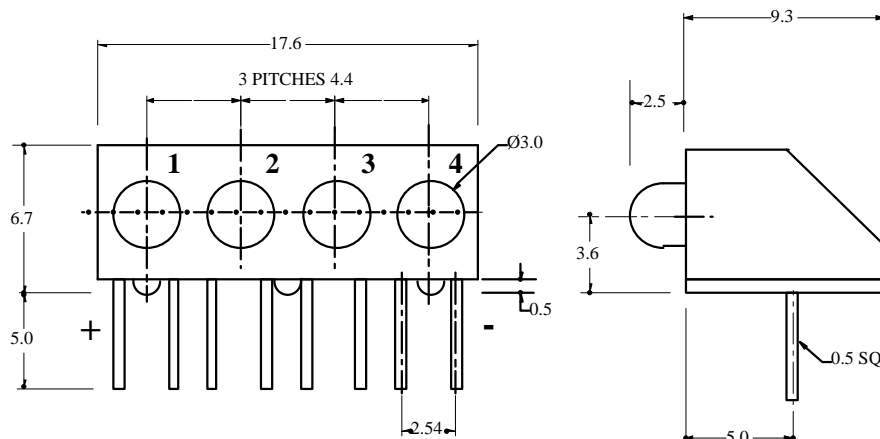
## 4 Way 3mm LED Array 90 deg Mount

The BOT107 series is a family of devices using Black NYLON 6 VO rated housing to mount four 3mm LEDs at right angles to the PCB forming an 4 Way LED Array. LEDs are on a 4.4mm pitch.

- +/- 25 Deg Viewing Angle
- Good matching
- Direct equivalent to Marl 107 series.
- End stackable.



### MECHANICAL DATA



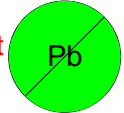
**BEDFORD OPTO TECHNOLOGY LTD**  
**1 BIGGAR BUSINESS PARK, BIGGAR, LANARKSHIRE ML12 6FX**  
**Tel: +44 (0) 1899 221221 Fax: +44 (0) 1899 221009**  
**Website: bot.co.uk E-mail: bill@bot.co.uk**

# BOT107 Series

## ABSOLUTE MAXIMUM RATINGS (T<sub>A</sub> = 25°C)

REVERSE VOLTAGE	5 Volts
CONTINUOUS FORWARD CURRENT	30 mA
POWER DISSIPATION	80 mW
OPERATING TEMP	-40 TO+80°C
STORAGE TEMP	-40to +100°C
LEAD SOLDERING TEMP(1.55mm FROM BODY 5secs)	260°C

This component is RoHS compliant



## OPTO ELECTRONIC DATA (T<sub>a</sub> = 25°C)

COLOUR		Luminous Intensity I <sub>f</sub> = 20mA mcd	Peak Wavelength nm	Forward Voltage I <sub>f</sub> = 20mA volts	VIEWING ANGLE deg
RED	min	50.0	635	2.0	50
	typ				
	max				
YELLOW	min	20.0	585	2.1	50
	typ				
	max				
GREEN	min	70.0	568	2.2	50
	typ				
	max				

## ORDERING INFORMATION

POSITION	1	2	3	4
BOT107	X	X	X	X

**X=R=RED,G=GREEN,Y=YELLOW**

## OPTO ELECTRONIC SOLUTIONS

BOT specialise only in the design, development and manufacture in the visible and infra-red Opto Electronic products. Standard visible products include, LED Bargraph, Arrays, Stand-off, Circuit Board Indicators and Panel Mount Assemblies. Standard I.R. products include 10KV BASEEFA certified Opto Couplers, Transmissive & Reflective Switches. Custom designs of Visible and I.R. products on request.

**BEDFORD OPTO TECHNOLOGY LTD**  
**1,BIGGAR BUSINESS PARK, BIGGAR,LANARKSHIRE ML12 6FX**

**Tel: +44 (0) 1899 221221 Fax: +44 (0) 1899 221009**

**Website: bot.co.uk E-mail: bill@bot.co.uk**