

Features

- Fast Read Access Time – 120 ns
- Automatic Page Write Operation
 - Internal Address and Data Latches for 128 Bytes
 - Internal Control Timer
- Fast Write Cycle Time
 - Page Write Cycle Time – 10 ms Maximum
 - 1 to 128-byte Page Write Operation
- Low Power Dissipation
 - 50 mA Active Current
 - 10 mA CMOS Standby Current
- Hardware and Software Data Protection
- DATA Polling for End of Write Detection
- High Reliability CMOS Technology
 - Endurance: $5 \cdot 10^4$ Read Cycles
 - Data Retention: 10 Years
- Operating Range: 4.5V to 5.5V, -55 to +125°C
- CMOS and TTL Compatible Inputs and Outputs
- No Single Event Latch-up below a LET Threshold of 80 MeV/mg/cm²
- Tested up to a Total Dose of (according to MIL STD 883 Method 1019):
 - 10 kRads (Si) Read-only Mode when Biased
 - 30 kRads (Si) Read-only Mode when Unbiased
- JEDEC Approved byte-Wide Pinout
- 435 Mils Wide 32-Pin Flat Pack Package

Description

The AT28C010-12DK is a high-performance Electrically Erasable and Programmable Read-Only Memory. Its one megabit of memory is organized as 131,072 words by 8 bits. Manufactured with Atmel's advanced nonvolatile CMOS technology, the device offers access times to 120 ns with power dissipation of just 275 mW. When the device is deselected, the CMOS standby current is less than 10 mA.

The AT28C010-12DK is accessed like a Static RAM for the read or write cycle without the need for external components. The device contains a 128-byte page register to allow writing of up to 128 bytes simultaneously. During a write cycle, the address and 1 to 128 bytes of data are internally latched, freeing the address and data bus for other operations. Following the initiation of a write cycle, the device will automatically write the latched data using an internal control timer. The end of a write cycle can be detected by DATA POLLING of I/O7. Once the end of a write cycle has been detected a new access for a read or write can begin.

Atmel's 28C010 has additional features to ensure high quality in manufacturing. The device utilizes internal error correction for extended endurance and improved data retention characteristics. An optional software data protection mechanism is available to guard against inadvertent writes. The device also includes an extra 128 bytes of EEPROM for device identification or tracking.



**Space
1-megabit
(128K x 8)
Paged Parallel
EEPROMs**

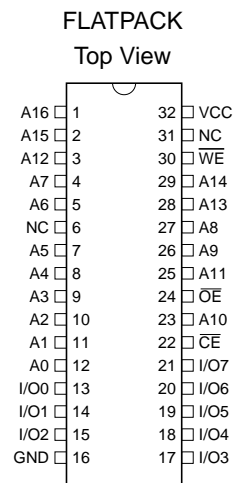
AT28C010-12DK

Rev. 4259C-AERO-05/05

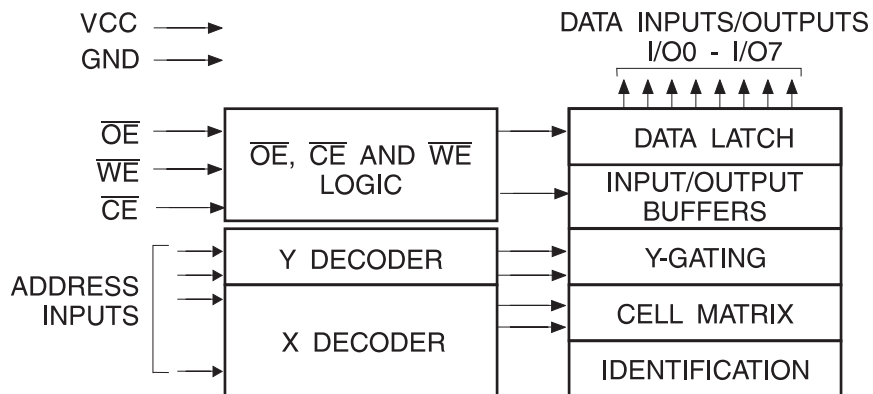


Pin Configuration

Pin Name	Function
A0 - A16	Addresses
\overline{CE}	Chip Enable
\overline{OE}	Output Enable
\overline{WE}	Write Enable
I/O0 - I/O7	Data Inputs/Outputs
NC	No Connect



Block Diagram



Device Operation

- **READ:** The AT28C010-12DK is accessed like a Static RAM. When \overline{CE} and \overline{OE} are low and \overline{WE} is high, the data stored at the memory location determined by the address pins is asserted on the outputs. The outputs are put in the high impedance state when either \overline{CE} or \overline{OE} is high. This dual-line control gives designers flexibility in preventing bus contention in their system.
- **BYTE WRITE:** A low pulse on the \overline{WE} or \overline{CE} input with \overline{CE} or \overline{WE} low (respectively) and \overline{OE} high initiates a write cycle. The address is latched on the falling edge of \overline{CE} or \overline{WE} , whichever occurs last. The data is latched by the first rising edge of \overline{CE} or \overline{WE} . Once a byte write has been started it will automatically time itself to completion. Once a programming operation has been initiated and for the duration of t_{WC} , a read operation will effectively be a polling operation.
- **PAGE WRITE:** The page write operation of the AT28C010-12DK allows 1 to 128 bytes of data to be written into the device during a single internal programming period. A page write operation is initiated in the same manner as a byte write; the first byte written can then be followed by 1 to 127 additional bytes. Each successive byte must be written within $150 \mu s$ (t_{BLC}) of the previous byte. If the t_{BLC} limit is exceeded the AT28C010-12DK will cease accepting data and commence the internal programming operation. All bytes during a page write operation must reside on the same page as defined by the state of the A7 - A16 inputs. For each \overline{WE} high to low transition during the page write operation, A7 - A16 must be the same.
- The A0 to A6 inputs are used to specify which bytes within the page are to be written. The bytes may be loaded in any order and may be altered within the same load period. Only bytes which are specified for writing will be written; unnecessary cycling of other bytes within the page does not occur.
- **DATA POLLING:** The AT28C010-12DK features \overline{DATA} Polling to indicate the end of a write cycle. During a byte or page write cycle an attempted read of the last byte written will result in the complement of the written data to be presented on I/O7. Once the write cycle has been completed, true data is valid on all outputs, and the next write cycle may begin. \overline{DATA} Polling may begin at anytime during the write cycle.
- **TOGGLE BIT:** In addition to \overline{DATA} Polling the AT28C010-12DK provides another method for determining the end of a write cycle. During the write operation, successive attempts to read data from the device will result in I/O6 toggling between one and zero. Once the write has completed, I/O6 will stop toggling and valid data will be read. Reading the toggle bit may begin at any time during the write cycle.
- **DATA PROTECTION:** If precautions are not taken, inadvertent writes may occur during transitions of the host system power supply. Atmel has incorporated both hardware and software features that will protect the memory against inadvertent writes.
For more information see the application note:
http://www.atmel.com/dyn/resources/prod_documents/DOC0544.PDF
- **HARDWARE PROTECTION:** Hardware features protect against inadvertent writes to the AT28C010-12DK in the following ways: (a) V_{DD} sense – if V_{DD} is below 3.8V (typical) the write function is inhibited; (b) V_{DD} power-on delay – once V_{DD} has reached 3.8V the device will automatically time out 5 ms (typical) before allowing a write; (c) write inhibit - holding any one of \overline{OE} low, \overline{CE} high or \overline{WE} high inhibits write cycles; (d) noise filter - pulses of less than 15 ns (typical) on the \overline{WE} or \overline{CE} inputs will not initiate a write cycle.
SOFTWARE DATA PROTECTION: A software controlled data protection feature has been implemented on the AT28C010-12DK. When enabled, the software data protection (SDP), will prevent inadvertent writes. The SDP feature may be enabled

or disabled by the user; the AT28C010-12DK is shipped from Atmel with SDP disabled.

- SDP is enabled by the host system issuing a series of three write commands; three specific bytes of data are written to three specific addresses (refer to Software Data Protection Algorithm). After writing the 3-byte command sequence and after t_{WC} the entire AT28C010-12DK will be protected against inadvertent write operations. It should be noted, that once protected the host may still perform a byte or page write to the AT28C010-12DK. This is done by preceding the data to be written by the same 3-byte command sequence used to enable SDP.
- Once set, SDP will remain active unless the disable command sequence is issued. Power transitions do not disable SDP and SDP will protect the AT28C010-12DK during power-up and power-down conditions. All command sequences must conform to the page write timing specifications. The data in the enable and disable command sequences is not written to the device and the memory addresses used in the sequence may be written with data in either a byte or page write operation.
- After setting SDP, any attempt to write to the device without the 3-byte command sequence will start the internal write timers. No data will be written to the device; however, for the duration of t_{WC} , read operations will effectively be polling operations.
- **DEVICE IDENTIFICATION:** An extra 128 bytes of EEPROM memory are available to the user for device identification. By raising A9 to $12V \pm 0.5V$ and using address locations 1FF80H to 1FFFFH the bytes may be written to or read from in the same manner as the regular memory array.
- **OPTIONAL CHIP ERASE MODE:** The entire device can be erased using a 6-byte software code. Please see Software Chip Erase application note for details.

DC and AC Operating Range

	AT28C010-12DK-12
Operating Temperature (Case)	-55°C to +125°C
V_{DD} Power Supply	5V \pm 10%

Operating Modes

Mode	\overline{CE}	\overline{OE}	\overline{WE}	I/O
Read	V_{IL}	V_{IL}	V_{IH}	D_{OUT}
Write ⁽¹⁾	V_{IL}	V_{IH}	V_{IL}	D_{IN}
Standby	V_{IH}	X	X	High Z
Write Inhibit	X	X	V_{IH}	D_{OUT} or High Z
Write Inhibit	V_{IH}	X	X	High Z
Write Inhibit	X	V_{IL}	X	D_{OUT} or High Z
Write Inhibit	V_{IL}	V_{IL}	V_{IL}	No operation
Software Chip Clear	V_{IL}	V_{IH}	V_{IL}	D_{IN}
Software Write Protect	V_{IL}	V_{IH}	V_{IL}	D_{IN}
High Voltage Chip Clear	V_{IL}	V_H	V_{IL}	V_{IH}
Output Disable	X	V_{IH}	X	High Z

V_{IH} = High Logic, "1" state, V_{IL} = Low Logic "0" state.

X = logic "don't care" state, High Z = high impedance state.

V_H = Chip clear voltage, D_{OUT} = Data out, and D_{IN} = Data in.

Notes: 1. Refer to AC Programming Waveforms



Electrical Characteristics

Absolute Maximum Ratings*

Temperature Under Bias.....	-55°C to +125°C
Storage Temperature	-65°C to +150°C
All Input Voltages (including NC Pins) with Respect to Ground	-0.6V to +6.25V
All Output Voltages with Respect to Ground	-0.6V to $V_{DD} + 0.6V$
Voltage on \overline{OE} and A9 with Respect to Ground	-0.6V to +13.5V

*NOTICE: Stresses beyond those listed under “Absolute Maximum Ratings” may cause permanent damage to the device. This is a stress rating only and functional operation of the device at these or any other conditions beyond those indicated in the operational sections of this specification is not implied. Exposure to absolute maximum rating conditions for extended periods may affect device reliability.

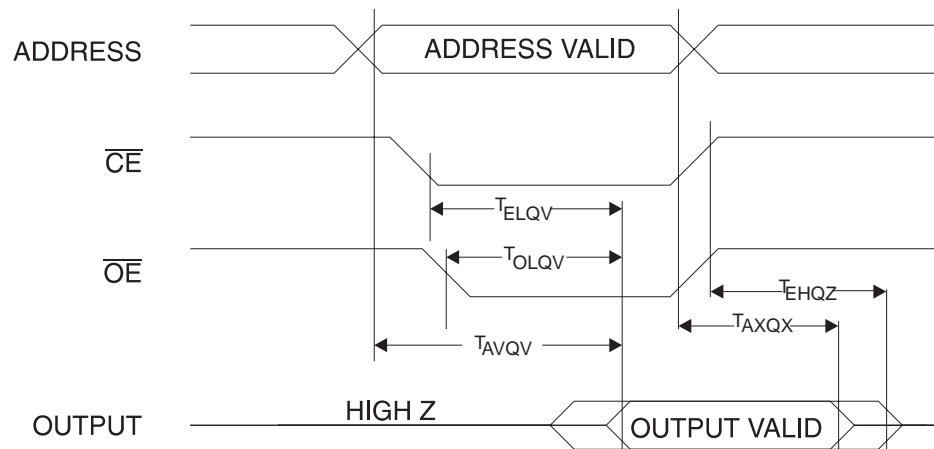
DC Characteristics

Symbol	Parameter	Condition	Min	Max	Units
I_{IL}, I_{IH}	Low Level Input Current	$V_{IN} = 0V$ to $V_{DD} + 1V$	-10	10	μA
I_{OZL}, I_{OZH}	Output Leakage Current	$V_{IO} = 0V$ to V_{DD}	-10	10	μA
I_{CC3}	V_{DD} Standby Current CMOS	$\overline{CE} = V_{DD} - 0.3V$ to $V_{DD} + 1V$		10	mA
I_{CC2}	V_{DD} Standby Current TTL	$\overline{CE} = 2.0V$ to $V_{DD} + 1V$		10	mA
I_{CC1}	V_{DD} Active Current	$f = 5$ MHz; $I_{OUT} = 0$ mA		50	mA
V_{IL}	Input Low Voltage			0.8	V
V_{IH}	Input High Voltage		2.0		V
V_{OL}	Output Low Voltage	$I_{OL} = 2.1$ mA		0.45	V
V_{OH1}	Output High Voltage	$I_{OH} = -400$ μA	2.4		V
V_{OH2}	Output High Voltage CMOS	$I_{OH} = -100$ μA ; $V_{DD} = 4.5V$	4.2		V

AC Read Characteristics

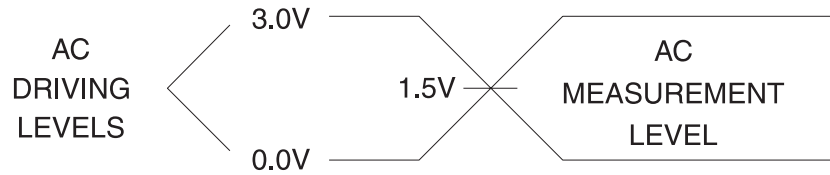
Symbol	Parameter	AT28C010-12DK		Units
		Min	Max	
T_{AVQV}	Address Access Time		120	ns
$T_{ELQV}^{(1)}$	\overline{CE} Access Time		120	ns
$T_{OLQV}^{(2)}$	\overline{OE} Access Time		50	ns
$T_{EHQZ}^{(3,4)}$	Chip disable to output in high Z		50	ns
T_{AXQX}	Output Hold from \overline{OE} , \overline{CE} or Address, whichever occurred first	0		ns

AC Read Waveforms⁽¹⁾⁽²⁾⁽³⁾⁽⁴⁾

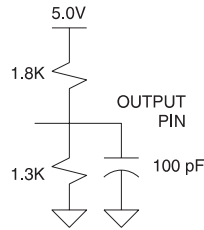


- Notes:
- \overline{CE} may be delayed up to $T_{AVQV} - T_{ELQV}$ after the address transition without impact on T_{AVQV} .
 - \overline{OE} may be delayed up to $T_{ELQV} - T_{OLQV}$ after the falling edge of \overline{CE} without impact on T_{ELQV} or by $T_{AVQV} - T_{OLQV}$ after an address change without impact in T_{AVQV} .
 - T_{EHQZ} is specified from OE or CE whichever occurs first (CL = 5 pF).
 - This parameter is characterized and is not 100% tested.

Input Test Waveforms and Measurement Level



Output Test Load



Pin Capacitance

$f = 1 \text{ MHz}$, $T = 25^\circ\text{C}^{(1)}$

Symbol	Typ	Max	Units	Conditions
C_{IN}	4	10	pF	$V_{IN} = 0V$
C_{OUT}	8	12	pF	$V_{OUT} = 0V$

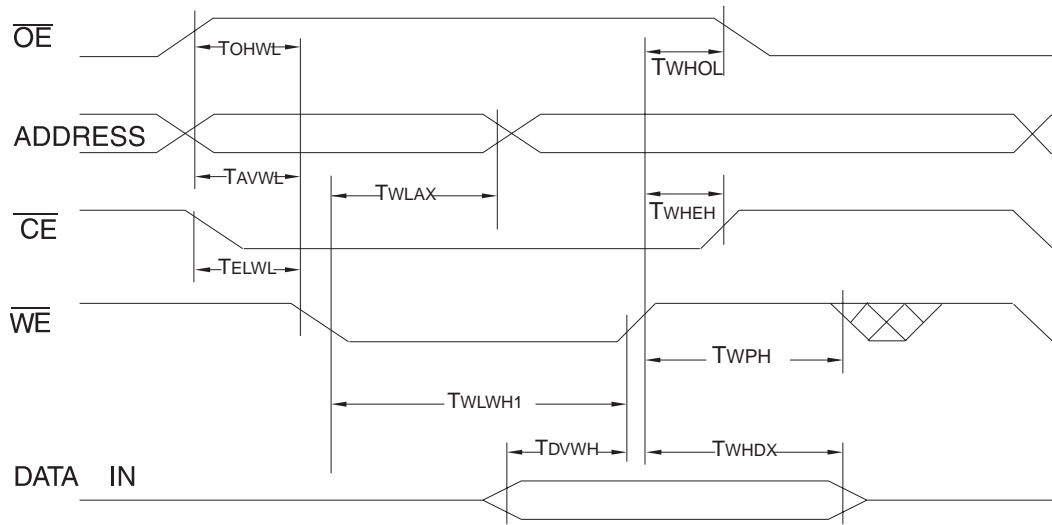
Note: 1. This parameter is 100% characterized and is not 100% tested.

AC Write Characteristics

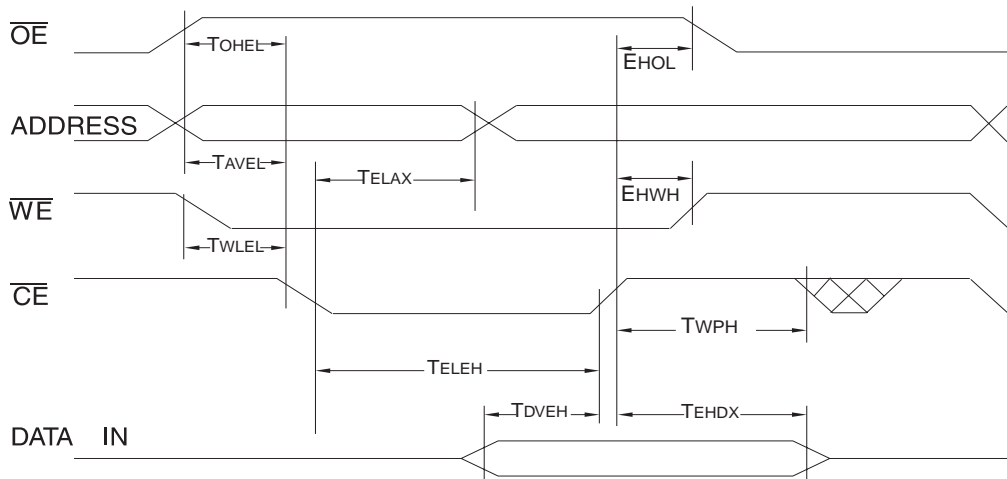
Symbol	Parameter	Min	Max	Units
$T_{A VEL}$, $T_{A VWL}$, $T_{O HWL}$, $T_{O HEL}$	Address, \overline{OE} Set-up Time	0		ns
T_{ELAX} , T_{WLAX}	Address Hold Time	50		ns
T_{WLEL} , T_{ELWL}	Chip Select Set-up Time	0		ns
T_{EHWL} , T_{WHEH}	Chip Select Hold Time	0		ns
T_{ELEH} , T_{WLWHI}	Write Pulse Width (\overline{WE} or \overline{CE})	100		ns
T_{DVEH} , T_{DVWH}	Data Set-up Time	50		ns
T_{EHDX} , T_{WHDX} , T_{WHOL} , T_{EHOL}	Data, \overline{OE} Hold Time	0		ns
T_{WPH}	Write Pulse Width High	50		ns

AC Write Waveforms

\overline{WE} Controlled



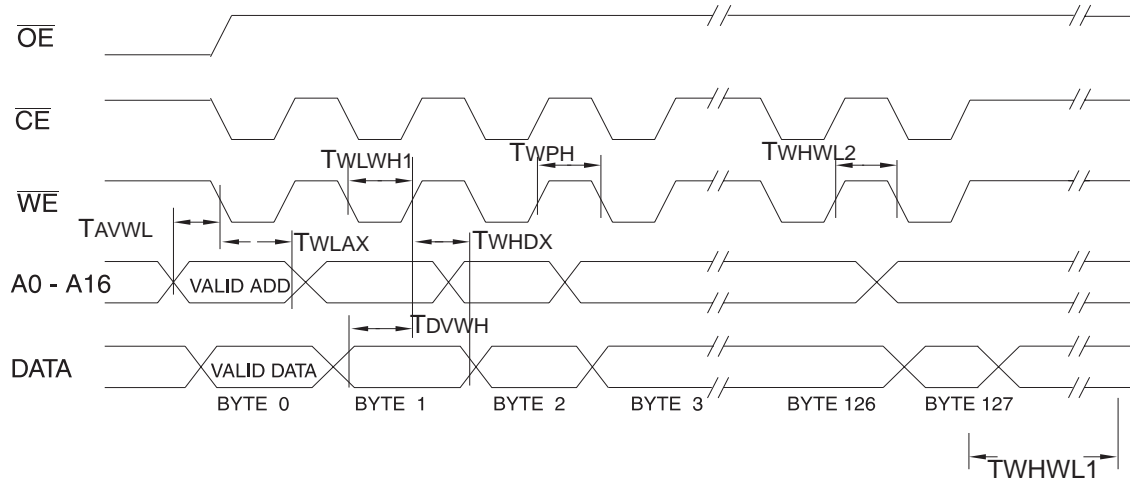
\overline{CE} Controlled



Page Mode Characteristics

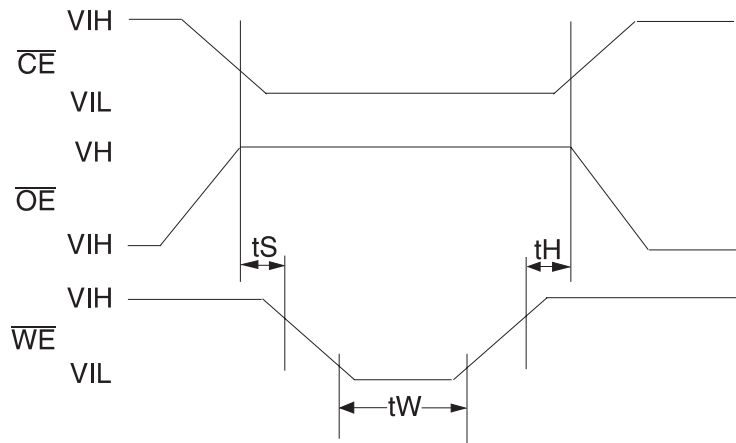
Symbol	Parameter	Min	Max	Units
T_{WHWL1}	Write Cycle Time		10	ms
T_{AVWL}, T_{OHWL}	Address Set-up Time, \overline{OE} Set up time	0		ns
T_{WLAX}	Address Hold Time	50		ns
T_{DVWH}	Data Set-up Time	50		ns
T_{WHDX}, T_{WHOL}	Data Hold Time, \overline{OE} Hold time	0		ns
T_{WLWH1}	Write Pulse Width	100		ns
T_{WHWL2}	Byte Load Cycle Time		150	μ s
T_{WPH}	Write Pulse Width High	50		ns

Page Mode Write Waveforms ⁽¹⁾⁽²⁾



- Notes:
1. A7 through A16 must specify the page address during each high to low transition of \overline{WE} (or \overline{CE}).
 2. \overline{OE} must be high only when \overline{WE} and \overline{CE} are both low.

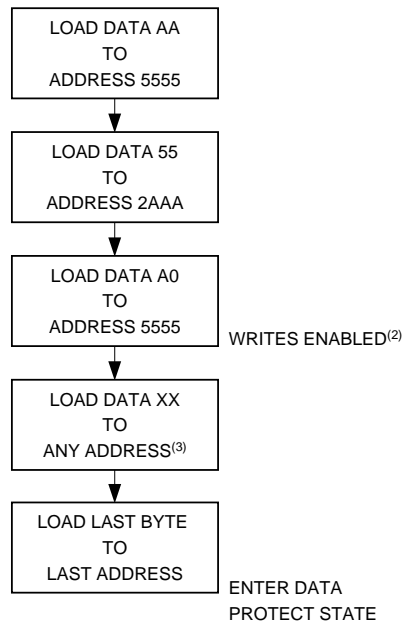
Chip Erase Waveforms



$t_S = 5 \text{ msec (min.)}$
 $t_W = t_H = 10 \text{ msec (min.)}$
 $V_H = 12.0V \pm 0.5V$

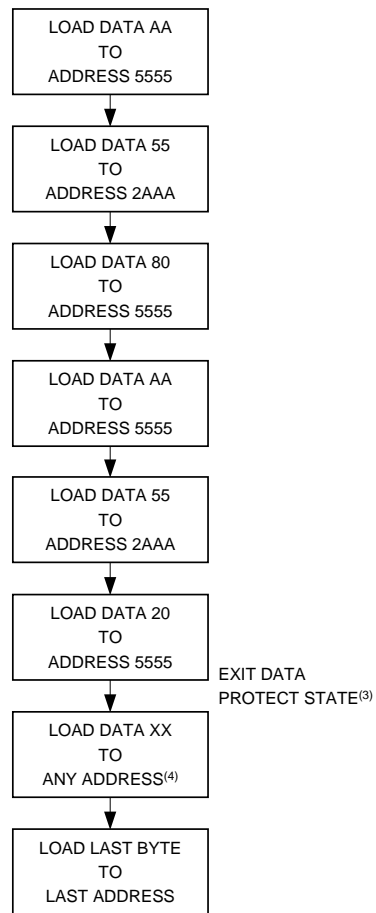
Software Data

Figure 1. Protection Enable Algorithm⁽¹⁾



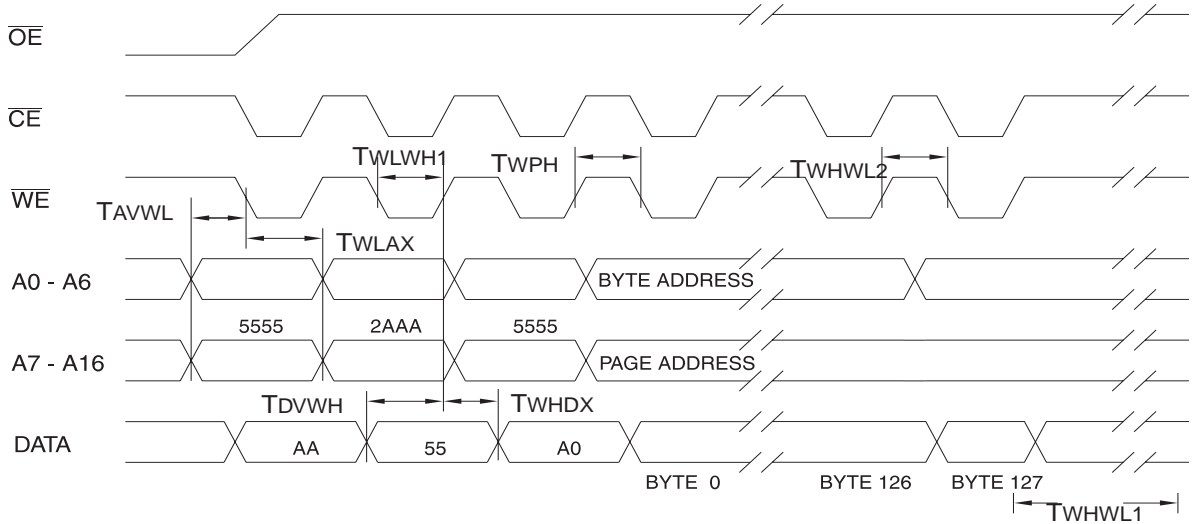
- Notes:
1. Data Format: I/O7 - I/O0 (Hex); Address Format: A14 - A0 (Hex).
 2. Write Protect state will be activated at end of write even if no other data is loaded.
 3. 1 to 128 bytes of data are loaded.

Figure 2. Protection Disable Algorithm⁽¹⁾



- Notes:
1. Data Format: I/O7 - I/O0 (Hex);
Address Format: A14 - A0 (Hex).
 2. Write Protect state will be activated at end of write even if no other data is loaded.
 3. Write Protect state will be deactivated at end of write period even if no other data if loaded.
 4. 1 to 128 bytes of data are loaded.

Software Protected Program Cycle Waveform⁽¹⁾⁽²⁾⁽³⁾



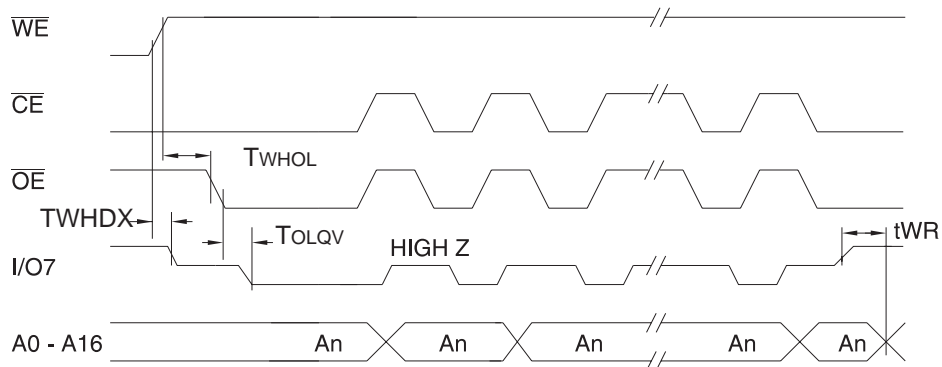
- Notes:
1. A0 - A14 must conform to the addressing sequence for the first 3 bytes as shown above.
 2. After the command sequence has been issued and a page write operation follows, the page address inputs (A7 - A16) must be the same for each high to low transition of WE (or CE).
 3. OE must be high only when WE and CE are both low.

Data Polling Characteristics⁽¹⁾

Symbol	Parameter	Min	Typ	Max	Units
T_{WHDX}	Data Hold Time	10			ns
T_{WHOL}	\overline{OE} Hold Time	10			ns
T_{OLQV}	\overline{OE} Access Time ⁽²⁾				ns
t_{WR}	Write Recovery Time	0			ns

Notes: 1. These parameters are characterized and not 100% tested.
 2. See AC Read Characteristics.

Data Polling Waveforms

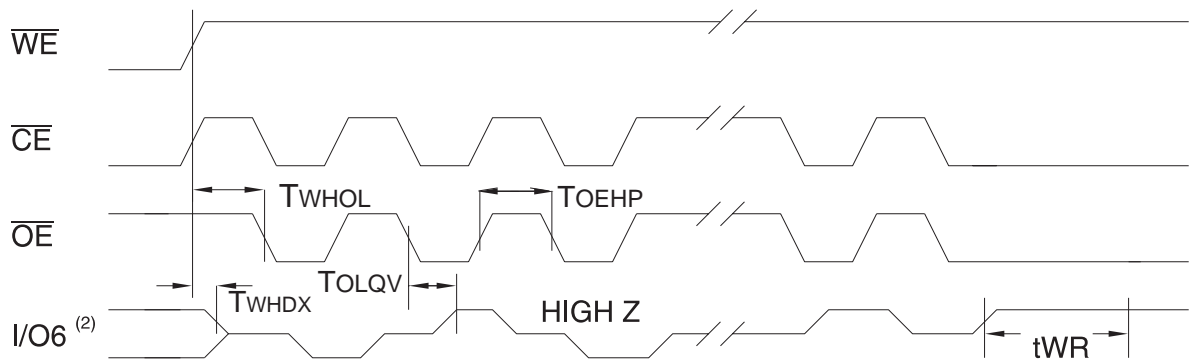


Toggle Bit Characteristics⁽¹⁾

Symbol	Parameter	Min	Typ	Max	Units
T_{WHDX}	Data Hold Time	10			ns
T_{WHOL}	\overline{OE} Hold Time	10			ns
T_{OLQV}	\overline{OE} Access Time ⁽²⁾				ns
T_{OEHP}	\overline{OE} High Pulse	150			ns
T_{WR}	Write Recovery Time	0			ns

- Notes: 1. These parameters are characterized and not 100% tested.
 2. See AC Read Characteristics.

Toggle Bit Waveforms⁽¹⁾⁽²⁾⁽³⁾



- Notes: 1. Toggling either \overline{OE} or \overline{CE} or both \overline{OE} and \overline{CE} will operate toggle bit.
 2. Beginning and ending state of I/O6 will vary.
 3. Any address location may be used but the address should not vary.



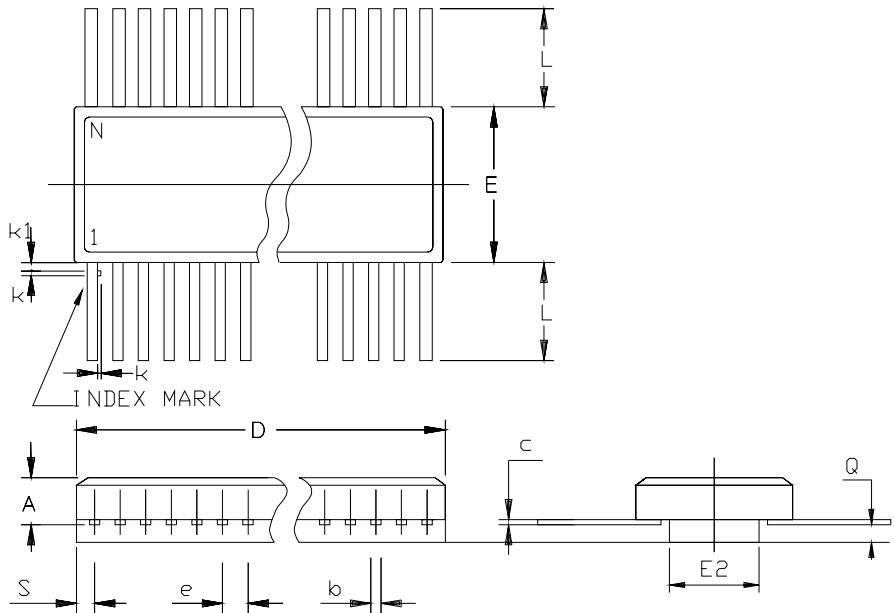
Ordering Information

t_{ACC} (ns)	I_{CC} (mA)		Ordering Code	Package	Packing
	Active	Standby			
120	50	10	AT28C010-12DK-E	FP32.4	Engineering Samples
			AT28C010-12DK-MQ		Military Level B
			AT28C010-12DK-SV		Space Level B

Packaging Information

FP32.435

32F, 32-Lead, Non-Windowed, Ceramic Bottom
 Brazed Flat Package (Flatpack)
 Dimensions in Inches and Millimeters
 MIL-STD-1835 F-18 CONFIG B
 JEDEC OUTLINE MO-115



	MM		INCH	
	Min	Max	Min	Max
A	1.78	2.72	.070	.107
b	0.38	0.48	.015	.019
c	0.076	0.18	.003	.007
D	20.62	21.03	.812	.828
E	10.92	11.18	.430	.440
E2	8.46	8.82	.333	.347
k	0.20	0.39	.008	.015
k1	0.63	BSC	.025	BSC
e	1.27	BSC	.050	BSC
L	6.65	8.20	.262	.323
Q	0.66	0.91	.026	.036
S	----	1.14	----	.045
N	32		32	



Atmel Corporation

2325 Orchard Parkway
San Jose, CA 95131
Tel: 1(408) 441-0311
Fax: 1(408) 487-2600

Regional Headquarters

Europe

Atmel Sarl
Route des Arsenaux 41
Case Postale 80
CH-1705 Fribourg
Switzerland
Tel: (41) 26-426-5555
Fax: (41) 26-426-5500

Asia

Room 1219
Chinachem Golden Plaza
77 Mody Road Tsimshatsui
East Kowloon
Hong Kong
Tel: (852) 2721-9778
Fax: (852) 2722-1369

Japan

9F, Tonetsu Shinkawa Bldg.
1-24-8 Shinkawa
Chuo-ku, Tokyo 104-0033
Japan
Tel: (81) 3-3523-3551
Fax: (81) 3-3523-7581

Atmel Operations

Memory

2325 Orchard Parkway
San Jose, CA 95131
Tel: 1(408) 441-0311
Fax: 1(408) 436-4314

Microcontrollers

2325 Orchard Parkway
San Jose, CA 95131
Tel: 1(408) 441-0311
Fax: 1(408) 436-4314

La Chantrerie
BP 70602
44306 Nantes Cedex 3, France
Tel: (33) 2-40-18-18-18
Fax: (33) 2-40-18-19-60

ASIC/ASSP/Smart Cards

Zone Industrielle
13106 Rousset Cedex, France
Tel: (33) 4-42-53-60-00
Fax: (33) 4-42-53-60-01

1150 East Cheyenne Mtn. Blvd.
Colorado Springs, CO 80906
Tel: 1(719) 576-3300
Fax: 1(719) 540-1759

Scottish Enterprise Technology Park
Maxwell Building
East Kilbride G75 0QR, Scotland
Tel: (44) 1355-803-000
Fax: (44) 1355-242-743

RF/Automotive

Theresienstrasse 2
Postfach 3535
74025 Heilbronn, Germany
Tel: (49) 71-31-67-0
Fax: (49) 71-31-67-2340

1150 East Cheyenne Mtn. Blvd.
Colorado Springs, CO 80906
Tel: 1(719) 576-3300
Fax: 1(719) 540-1759

Biometrics/Imaging/Hi-Rel MPU/ High Speed Converters/RF Datacom

Avenue de Rochepleine
BP 123
38521 Saint-Egreve Cedex, France
Tel: (33) 4-76-58-30-00
Fax: (33) 4-76-58-34-80

e-mail

literature@atmel.com

Web Site

<http://www.atmel.com>

Disclaimer: The information in this document is provided in connection with Atmel products. No license, express or implied, by estoppel or otherwise, to any intellectual property right is granted by this document or in connection with the sale of Atmel products. **EXCEPT AS SET FORTH IN ATMEL'S TERMS AND CONDITIONS OF SALE LOCATED ON ATMEL'S WEB SITE, ATMEL ASSUMES NO LIABILITY WHATSOEVER AND DISCLAIMS ANY EXPRESS, IMPLIED OR STATUTORY WARRANTY RELATING TO ITS PRODUCTS INCLUDING, BUT NOT LIMITED TO, THE IMPLIED WARRANTY OF MERCHANTABILITY, FITNESS FOR A PARTICULAR PURPOSE, OR NON-INFRINGEMENT. IN NO EVENT SHALL ATMEL BE LIABLE FOR ANY DIRECT, INDIRECT, CONSEQUENTIAL, PUNITIVE, SPECIAL OR INCIDENTAL DAMAGES (INCLUDING, WITHOUT LIMITATION, DAMAGES FOR LOSS OF PROFITS, BUSINESS INTERRUPTION, OR LOSS OF INFORMATION) ARISING OUT OF THE USE OR INABILITY TO USE THIS DOCUMENT, EVEN IF ATMEL HAS BEEN ADVISED OF THE POSSIBILITY OF SUCH DAMAGES.** Atmel makes no representations or warranties with respect to the accuracy or completeness of the contents of this document and reserves the right to make changes to specifications and product descriptions at any time without notice. Atmel does not make any commitment to update the information contained herein. Atmel's products are not intended, authorized, or warranted for use as components in applications intended to support or sustain life.

© Atmel Corporation 2005. All rights reserved. Atmel®, logo and combinations thereof, are registered trademarks, and Everywhere You Are® are the trademarks of Atmel Corporation or its subsidiaries. Other terms and product names may be trademarks of others.



Printed on recycled paper.