

To all our customers

Regarding the change of names mentioned in the document, such as Mitsubishi Electric and Mitsubishi XX, to Renesas Technology Corp.

The semiconductor operations of Hitachi and Mitsubishi Electric were transferred to Renesas Technology Corporation on April 1st 2003. These operations include microcomputer, logic, analog and discrete devices, and memory chips other than DRAMs (flash memory, SRAMs etc.) Accordingly, although Mitsubishi Electric, Mitsubishi Electric Corporation, Mitsubishi Semiconductors, and other Mitsubishi brand names are mentioned in the document, these names have in fact all been changed to Renesas Technology Corp. Thank you for your understanding. Except for our corporate trademark, logo and corporate statement, no changes whatsoever have been made to the contents of the document, and these changes do not constitute any alteration to the contents of the document itself.

Note : Mitsubishi Electric will continue the business operations of high frequency & optical devices and power devices.

Renesas Technology Corp.
Customer Support Dept.
April 1, 2003

4570 Group

SINGLE-CHIP 4-BIT CMOS MICROCOMPUTER

DESCRIPTION

The 4570 Group is a 4-bit single-chip microcomputer designed with CMOS technology. Its CPU is that of the 4500 series using a simple, high-speed instruction set. The computer is equipped with a carrier wave output circuit for remote control, an 8-bit timer with a reload register, a 10-bit timer with a reload register, and an 8-bit timer with two reload registers. The various microcomputers in the 4570 Group include variations of the built-in memory size. The mask ROM version and One Time PROM version of 4570 Group are produced as shown in the table below.

FEATURES

- Minimum instruction execution time
When $f(X_{IN})$ is selected for system clock $1.5\mu s$
($f(X_{IN})=2.0$ MHz, $V_{DD}=4.5$ V to 5.5 V)
When $f(X_{IN})/4$ is selected for system clock $2.86\mu s$
($f(X_{IN})=4.2$ MHz, $V_{DD}=2.0$ V to 5.5 V)
- Supply voltage
..... 2.5 V to 5.5 V (One Time PROM version)
..... 2.0 V to 5.5 V (Mask ROM version)

- System clock switch function
..... $f(X_{IN})/4$ or not divided
- Timers
Timer 1... 10-bit timer with a reload register and carrier wave output auto-control function
Timer 2 8-bit timer with a reload register
Timer 3... 8-bit timer with two reload registers and carrier wave generation function
- Interrupt 4 sources
- Power-on reset circuit
- Watchdog timer 16 bits
- Key-on wakeup function (Ports P0, P1, and P4, ON/OFF of port P4 can be switched)
- Pull-up transistor (Ports P0, P1, and P4, ON/OFF of port P4 can be switched)
- Voltage drop detection circuit
- Clock generating circuit (ceramic resonance)

APPLICATION

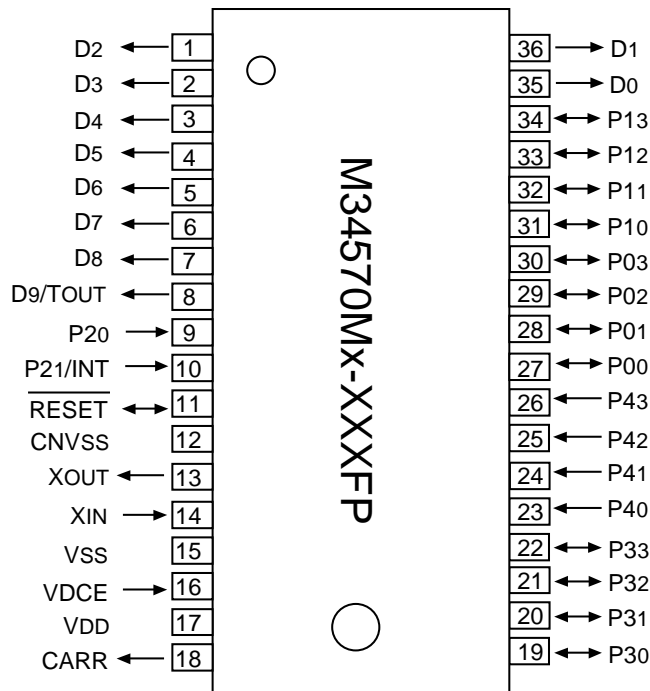
Remote control transmitter

Product	ROM (PROM) size (X 10 bits)	RAM size (X 4 bits)	Package	ROM type
M34570M4-XXXFP	4096 words	128 words	36P2R-A	Mask ROM
M34570M8-XXXFP	8192 words	128 words	36P2R-A	Mask ROM
M34570MD-XXXFP	16384 words	128 words	36P2R-A	Mask ROM
M34570E8FP	8192 words	128 words	36P2R-A	One Time PROM
M34570EDFP *	16384 words	128 words	36P2R-A	One Time PROM

*: Under development (Jan. 1999)

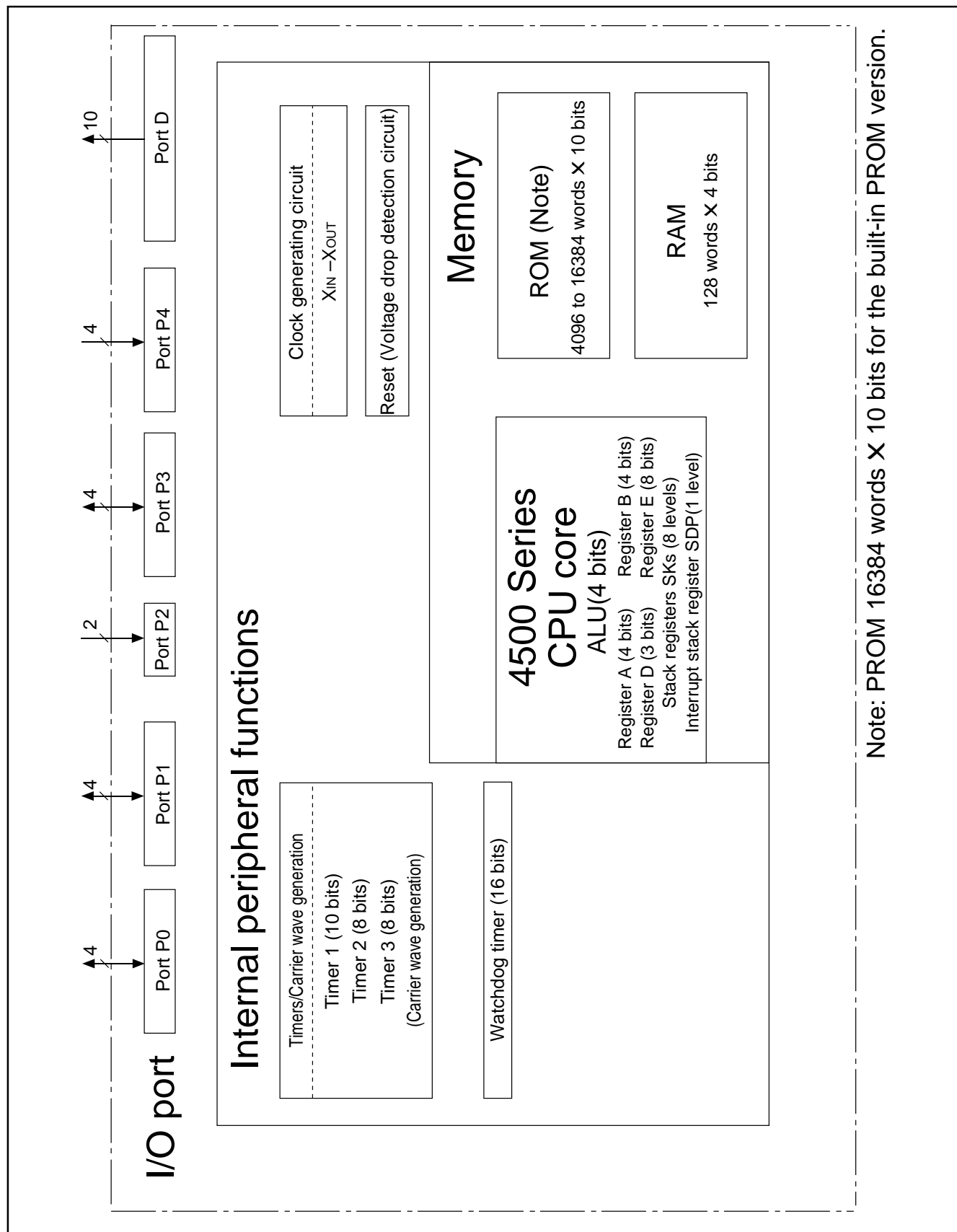
PIN CONFIGURATION (TOP VIEW)

M34570Mx-XXXFP



Outline 36P2R-A

BLOCK DIAGRAM



PERFORMANCE OVERVIEW

Parameter		Function	
Number of basic instructions		99	
Minimum instruction execution time		1.5 μ s ($f(X_{IN}) = 2.0$ MHz:system clock = $f(X_{IN})$: $V_{DD} = 5.0$ V) 2.86 μ s ($f(X_{IN}) = 4.2$ MHz:system clock = $f(X_{IN})/4$: $V_{DD} = 5.0$ V)	
Memory sizes	ROM	M34570M4	4096 words X 10 bits
		M34570M8	8192 words X 10 bits
		M34570MD	16384 words X 10 bits
		M34570E8	8192 words X 10 bits
		M34570ED	16384 words X 10 bits
	RAM		128 words X 4 bits
Input/Output ports	D ₀ –D ₉	Output	Ten independent output ports; port D ₉ is also used as the T _{OUT} output pin.
	P ₀₀ –P ₀₃	I/O	4-bit I/O port; every pin of the ports has a key-on wakeup function and a pull-up function.
	P ₁₀ –P ₁₃	I/O	4-bit I/O port; every pin of the ports has a key-on wakeup function and a pull-up function.
	P ₂₀ , P ₂₁	Input	2-bit input port, port P ₂₁ is also used as INT input pin.
	P ₃₀ –P ₃₃	I/O	4-bit I/O port
	P ₄₀ –P ₄₃	Input	4-bit input port; both pull-up function and key-on wakeup function can be switched by software.
	CARR	Output	1-bit output port (CMOS output)
	T _{OUT}	Output	1-bit output pin; T _{OUT} output pin is also used as port D ₉ .
Timers	Timer 1		10-bit timer with a reload register and carrier wave output auto-control function
	Timer 2		8-bit timer with a reload register
	Timer 3		8-bit timer with two reload registers and carrier wave generation function
Interrupt	Sources		4 (one for external and three for timer)
	Nesting		1 level
Subroutine nesting		8 levels (however, only 7 levels can be used when an interrupt is used or the TABP p instruction is executed)	
Device structure		CMOS silicon gate	
Package		36-pin plastic molded SSOP	
Operating temperature range		–20 °C to 70 °C	
Supply voltage		2.0 V to 5.5 V for mask ROM version (2.5 V to 5.5 V for One Time PROM version)	
Power dissipation (typical value)	at active		1.3 mA ($f(X_{IN}) = 4.2$ MHz: system clock = $f(X_{IN})/4$, $V_{DD}=5.0$ V)
			0.5 mA ($f(X_{IN}) = 1.0$ MHz: system clock = $f(X_{IN})$, $V_{DD}=3.0$ V)
	at RAM back-up		0.1 μ A ($T_a=25$ °C, $V_{DD}=5V$, typical value)

DEFINITION OF CLOCK AND CYCLE

● System clock

The system clock is the basic clock for controlling this product. The system clock can be selected by bit 3 of the clock control register MR as shown in the table below.

Table Selection of system clock

MR ₃	System clock
0	$f(X_{IN})$
1	$f(X_{IN})/4$

Note: $f(X_{IN})/4$ is selected immediately after system is released from reset.

● Instruction clock

The instruction clock is the standard clock for controlling CPU. The instruction clock is a signal derived from dividing the system clock by 3. The one cycle of the instruction clock is equivalent to the one machine cycle.

● Machine cycle

The machine cycle is the standard cycle required to execute the instruction.

PIN DESCRIPTION

Pin	Name	Input/Output	Function
V _{DD}	Power supply	—	Connected to a plus power supply.
V _{SS}	Ground	—	Connected to a 0 V power supply.
CNV _{SS}	CNV _{SS}	Input	Connect CNV _{SS} to V _{SS} and apply "L" (0V) to CNV _{SS} certainly.
$\overline{\text{RESET}}$	Reset input	I/O	An N-channel open-drain I/O pin for a system reset. A pull-up transistor and a capacitor are built-in this pin. When the watchdog timer causes the system to be reset or the low-supply voltage is detected, the $\overline{\text{RESET}}$ pin outputs "L" level.
X _{IN}	Clock input	Input	I/O pins of the clock generating circuit. Connect a ceramic resonator between X _{IN} pin and X _{OUT} pin. A feedback resistor is built-in between them.
X _{OUT}	Clock output	Output	
D ₀ –D ₉	Output port D	Output	Each pin of port D has an independent 1-bit wide output function. Port D ₉ is also used as T _{OUT} output pin. The output structure is N-channel open-drain.
P ₀₀ –P ₀₃	I/O port P0	I/O	4-bit I/O port. It can be used as an input port when the output latch is set to "1." The output structure is N-channel open-drain. Every pin of the ports has a key-on wakeup function and a pull-up function.
P ₁₀ –P ₁₃	I/O port P1	I/O	4-bit I/O port. It can be used as an input port when the output latch is set to "1." The output structure is N-channel open-drain. Every pin of the ports has a key-on wakeup function and a pull-up function.
P ₂₀ , P ₂₁	Input port P2	I/O	2-bit input port. Port P ₂₁ is also used as the INT input pin.
P ₃₀ –P ₃₃	I/O port P3	I/O	4-bit I/O port. It can be used as an input port when the output latch is set to "1." The output structure is N-channel open-drain.
P ₄₀ –P ₄₃	Input port P4	Input	4-bit input port. Every pin of the ports has a key-on wakeup function and a pull-up function. Both functions can be switched by software.
CARR	Carrier wave output for remote control	Output	Carrier wave output pin for remote control transmit. The output structure is the CMOS circuit.
INT	Interrupt input	Input	INT input pin accepts an external interrupt and has a key-on wakeup function. INT input pin is also used as port P ₂₁ .
T _{OUT}	Timer output	Output	T _{OUT} output pin has the function to output the timer 2 underflow signal divided by 2. T _{OUT} output pin is also used as port D ₉ .
VDCE	Voltage drop detection circuit enable	Input	VDCE pin is used to control the operation/stop of the voltage drop detection circuit. The circuit is operating when "H" level is input to the VDCE pin. It is stopped when "L" level is input to this pin.

MULTIFUNCTION

Pin	Multifunction	Pin	Multifunction
D ₉	T _{OUT}	T _{OUT}	D ₉
P ₂₁	INT	INT	P ₂₁

Notes 1: Pins except above have just single function.

2: The port D₉ is the output port and port P₂₁ is the input port.

CONNECTIONS OF UNUSED PINS

Pin	Connection	Pin	Connection
D ₀ –D ₈ D ₉ /T _{OUT}	Connect to V _{SS} , or set the output latch to “0” and open.	P ₃₀ –P ₃₃	Connect to V _{SS} , or set the output latch to “0” and open.
P ₀₀ –P ₀₃ P ₁₀ –P ₁₃	Set the output latch to “1” and open.	P ₄₀ –P ₄₃	Connect to V _{SS} (Note 2) or open (Note 3).
P ₂₀ , P ₂₁ /INT	Connect to V _{SS} (Note 1).	CARR	Open.

Notes 1: When the P₂₁/INT pin is connected to V_{SS} pin, set the return level to “H” level by software (interrupt control register I1₂=“1”). When the P₂₁/INT pin is connected to V_{SS} pin while the return level is set to “L” level, system returns from RAM back-up state immediately after system enters the RAM back-up state.

2: In order to connect ports P₄₀–P₄₃ to V_{SS}, turn off their pull-up transistors (pull-up control register PU0_i=“0”) by software and also invalidate the key-on wakeup functions (key-on wakeup control register KO_i=“0”). When these pins are connected to V_{SS} while the key-on wakeup functions are left valid, the system fails to return from RAM back-up state. In order to make these pins open, turn on their pull-up transistors (register PU0_i=“1”) by software (i = 0, 1, 2, 3). Be sure to select the key-on wakeup function and the pull-up function with every one port.

3: In order to make ports P₄₀–P₄₃ open, turn on their pull-up transistors (register PU0_i = “1”) by software (i = 0, 1, 2, 3).

(Note in order to set the output latch to “0” or “1” or make pins open)

- After system is released from reset, a port is in a high-impedance state until the output latch of the port is set to “0” by software. Accordingly, the voltage level of pins is undefined and the excess of the supply current may occur.
- To set the output latch periodically is recommended because the value of output latch may change by noise or a program run away (caused by noise).

(Note in order to connect unused pins to V_{SS})

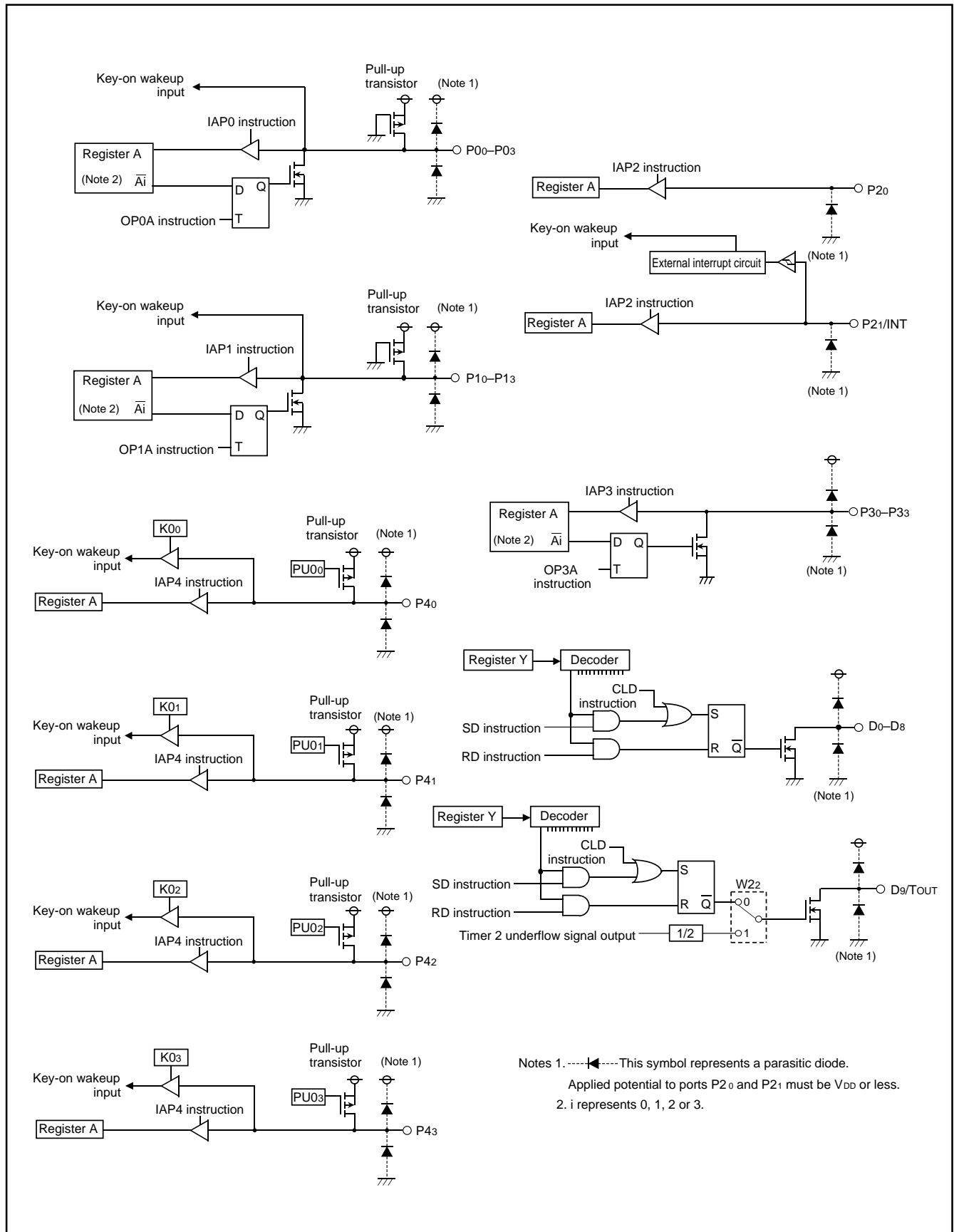
- To avoid noise, connect the unused pins to V_{SS} at the shortest distance using a thick wire.

PORT FUNCTION

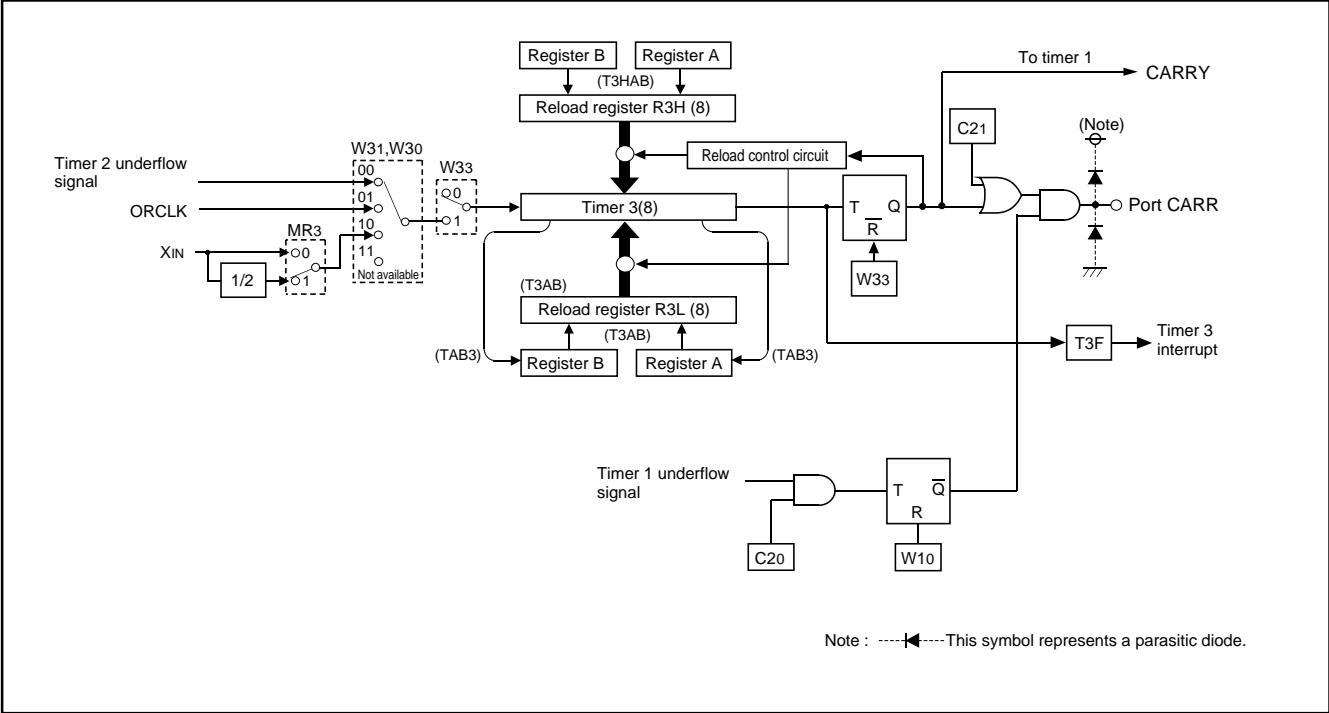
Port	Pin	Input/Output	Output structure	Control bits	Control instructions	Control registers	Remark
Port D	D ₀ –D ₈ , D ₉ /T _{OUT}	Output (10)	N-channel open-drain	1	SD RD CLD	W2 ₂	W2 ₂ controls the switch of D ₉ /T _{OUT} pin
Port P0	P ₀₀ –P ₀₃	I/O (4)	N-channel open-drain	4	OP0A IAP0		Pull-up functions Key-on wakeup functions
Port P1	P ₁₀ –P ₁₃	I/O (4)	N-channel open-drain	4	OP1A IAP1		Pull-up functions Key-on wakeup functions
Port P2	P ₂₀	Input (2)		2	IAP2 SNZ10 (Note)		Key-on wakeup function
	P ₂₁ /INT						
Port P3	P ₃₀ –P ₃₃	I/O	N-channel open-drain	4	OP3A IAP3		
Port P4	P ₄₀ –P ₄₃	Input (4)		4	IAP4	PU0 K0	Pull-up functions (programmable) Key-on wakeup functions (programmable)

Note: Level of the P₂₁/INT pin can be examined with the SNZ10 instruction.

PORT BLOCK DIAGRAMS



PORT BLOCK DIAGRAMS (continued)



Note : -----<-----This symbol represents a parasitic diode.

**FUNCTION BLOCK OPERATIONS
CPU**

(1) Arithmetic logic unit (ALU)

The arithmetic logic unit ALU performs 4-bit arithmetic such as 4-bit data addition, comparison, AND operation, OR operation, and bit manipulation.

(2) Register A and carry flag (CY)

Register A is a 4-bit register used for arithmetic, transfer, exchange, and I/O operation.

Carry flag CY is a 1-bit flag that is set to "1" when there is a carry with the AMC instruction (Figure 1).

It is unchanged with both A n instruction and AM instruction. The value of A₀ is stored in carry flag CY with the RAR instruction (Figure 2).

Carry flag CY can be set to "1" with the SC instruction and cleared to "0" with the RC instruction.

(3) Registers B and E

Register B is a 4-bit register used for temporary storage of 4-bit data, and for 8-bit data transfer together with register A. Register E is an 8-bit register. It can be used for 8-bit data transfer with register B used as the high-order 4 bits and register A as the low-order 4 bits (Figure 3).

(4) Register D

Register D is a 3-bit register.

It is used to store a 7-bit ROM address together with register A and is used as a pointer within the specified page when the TABP p, BLA p, or BMLA p instruction is executed (Figure 4).

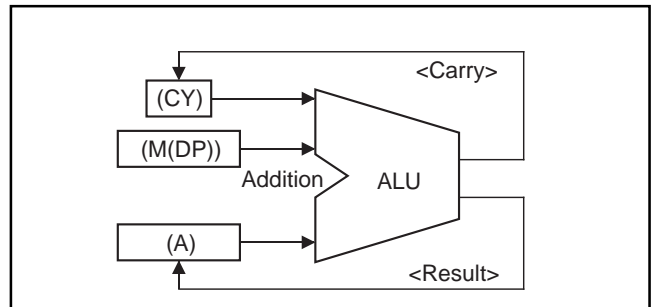


Fig. 1 AMC instruction execution example

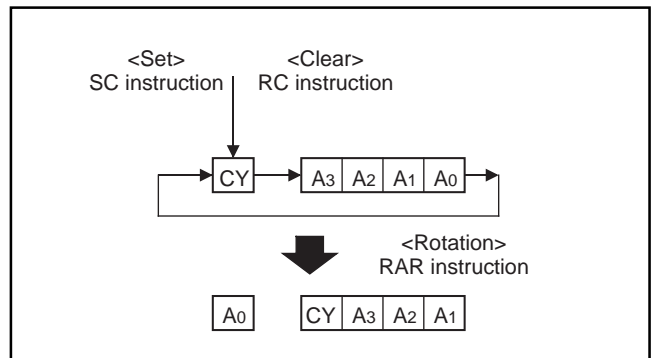


Fig. 2 RAR instruction execution example

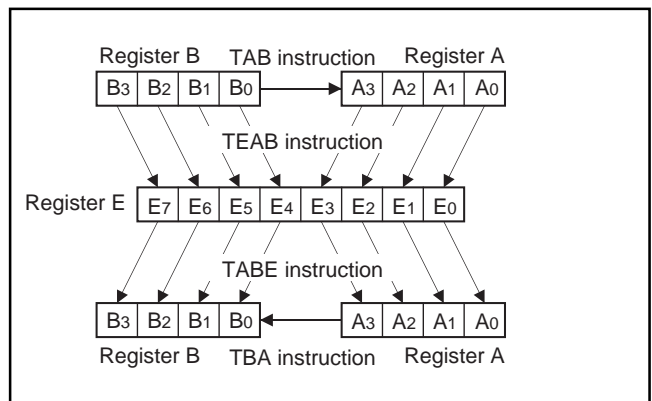


Fig. 3 Registers A, B and register E

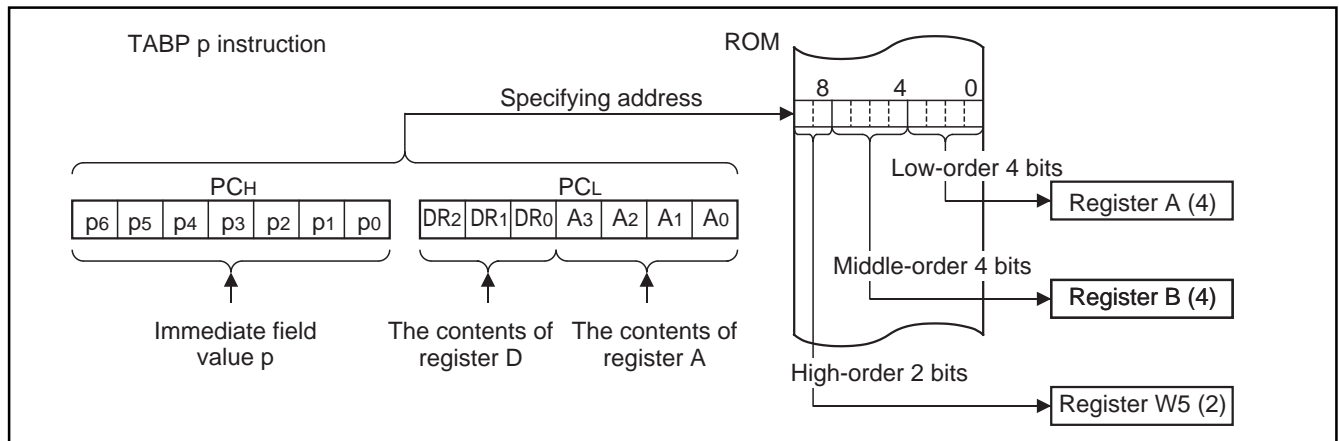


Fig. 4 TABP p instruction execution example

(5) Stack registers (SKs) and stack pointer (SP)

Stack registers (SKs) are used to temporarily store the contents of program counter (PC) just before branching until returning to the original routine when;

- branching to an interrupt service routine (referred to as an interrupt service routine),
- performing a subroutine call, or
- executing the table reference instruction (TABP p).

Stack registers (SKs) are eight identical registers, so that subroutines can be nested up to 8 levels. However, one of stack registers is used when using an interrupt service routine or when executing a table reference instruction. Accordingly, be careful not to stack over when performing these operations together. The contents of registers SKs are destroyed when 8 levels are exceeded.

The register SK nesting level is pointed automatically by 3-bit stack pointer (SP). The contents of the stack pointer (SP) can be transferred to register A with the TASP instruction.

Figure 5 shows the stack registers (SKs) structure.

Figure 6 shows the example of operation at subroutine call.

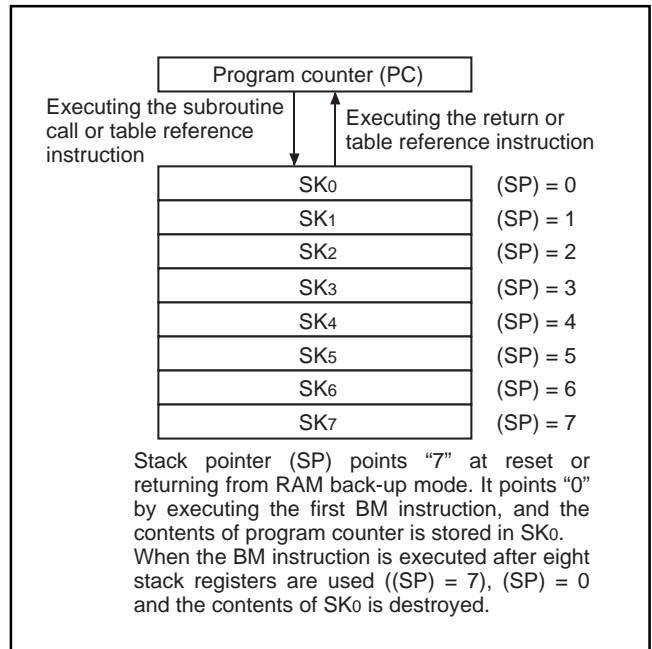
(6) Interrupt stack register (SDP)

Interrupt stack register (SDP) is a 1-stage register. When an interrupt occurs, this register (SDP) is used to temporarily store the contents of data pointer, carry flag, skip flag, register A, and register B just before an interrupt until returning to the original routine.

Unlike the stack registers (SKs), this register (SDP) is not used when executing the subroutine call instruction and the table reference instruction.

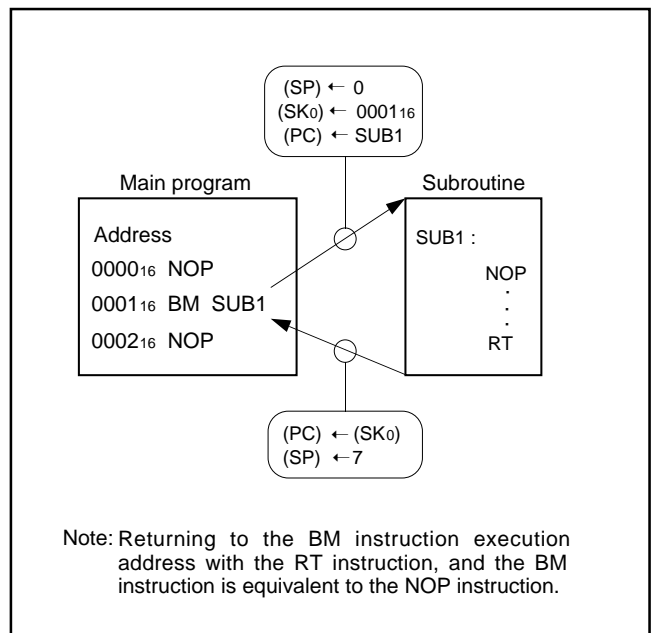
(7) Skip flag

Skip flag controls skip decision for the conditional skip instructions and continuous described skip instructions. When an interrupt occurs, the contents of skip flag is stored automatically in the interrupt stack register (SDP) and the skip condition is retained.



Stack pointer (SP) points "7" at reset or returning from RAM back-up mode. It points "0" by executing the first BM instruction, and the contents of program counter is stored in SK0. When the BM instruction is executed after eight stack registers are used ((SP) = 7), (SP) = 0 and the contents of SK0 is destroyed.

Fig. 5 Stack registers (SKs) structure



Note: Returning to the BM instruction execution address with the RT instruction, and the BM instruction is equivalent to the NOP instruction.

Fig. 6 Example of operation at subroutine call

(8) Program counter (PC)

Program counter (PC) is used to specify a ROM address (page and address). It determines a sequence in which instructions stored in ROM are read. It is a binary counter that increments the number of instruction bytes each time an instruction is executed. However, the value changes to a specified address when branch instructions, subroutine call instructions, return instructions, or the table reference instruction (TABP p) is executed.

Program counter consists of PCH (most significant bit to bit 7) which specifies to a ROM page and PCL (bits 6 to 0) which specifies an address within a page. After it reaches the last address (address 127) of a page, it specifies address 0 of the next page (Figure 7).

Make sure that the PCH does not specify after the last page of the built-in ROM.

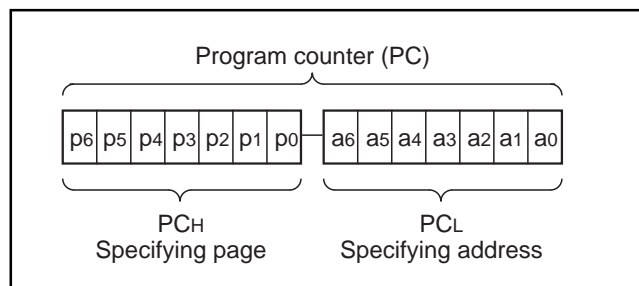


Fig. 7 Program counter (PC) structure

(9) Data pointer (DP)

Data pointer (DP) is used to specify a RAM address and consists of registers Z, X, and Y. Register Z specifies a RAM file group, register X specifies a file, and register Y specifies a RAM digit (Figure 8).

Register Y is also used to specify the port D bit position. When using port D, set the port D bit position to register Y certainly and execute the SD or RD instruction (Figure 9).

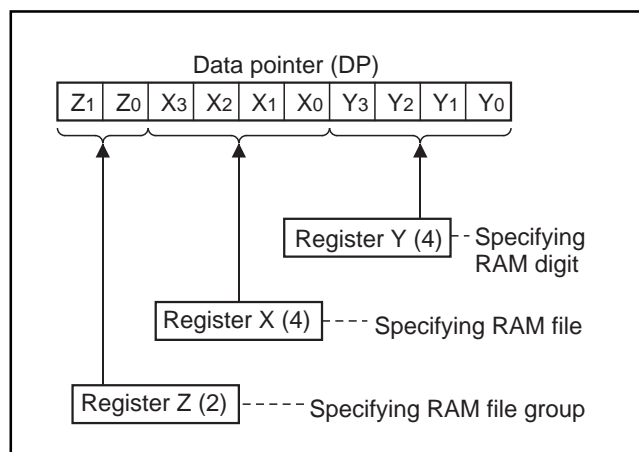


Fig. 8 Data pointer (DP) structure

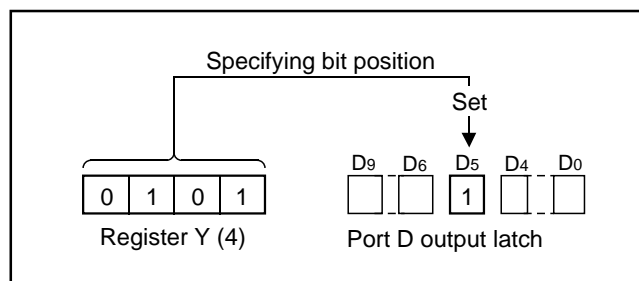


Fig. 9 SD instruction execution example

PROGRAM MEMORY (ROM)

1 word of ROM is composed of 10 bits. ROM is separated every 128 words by the unit of page (addresses 0 to 127). Table 1 shows the ROM size and pages. Figure 10 shows the ROM map of M34570M8.

Table 1 ROM size and pages

Product	ROM size (X 10 bits)	Pages
M34570M4	4096 words	32 (0 to 31)
M34570M8	8192 words	64 (0 to 63)
M34570E8	8192 words	64 (0 to 63)
M34570MD	16384 words	128 (0 to 127)
M34570ED	16384 words	128 (0 to 127)

Note: When the TABP instruction is executed after executing the SBK instruction, data in pages 64 to 127 can be referred. When the TABP instruction is executed after executing the RBK instruction, data in pages 0 to 63 can be referred.

A top part of page 1 (addresses 0080₁₆ to 00FF₁₆) is reserved for interrupt addresses (Figure 11). When an interrupt occurs, the address (interrupt address) corresponding to each interrupt is set in the program counter, and the instruction at the interrupt address is executed. When using an interrupt service routine, write the instruction generating the branch to that routine at an interrupt address.

Page 2 (addresses 0100₁₆ to 017F₁₆) is the special page for subroutine calls. Subroutines written in this page can be called from any page with the 1-word instruction (BM). Subroutines extending from page 2 to another page can also be called with the BM instruction when it starts on page 2.

ROM pattern (bits 9 to 0) of all addresses can be used as data areas with the TABP p instruction.

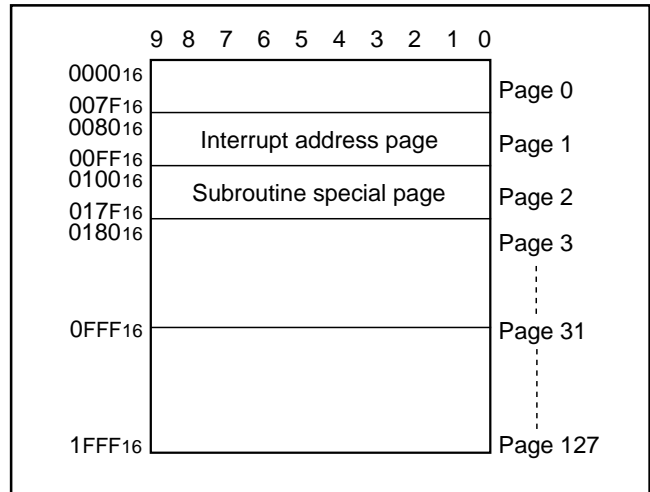


Fig. 10 ROM map of M34570Mx

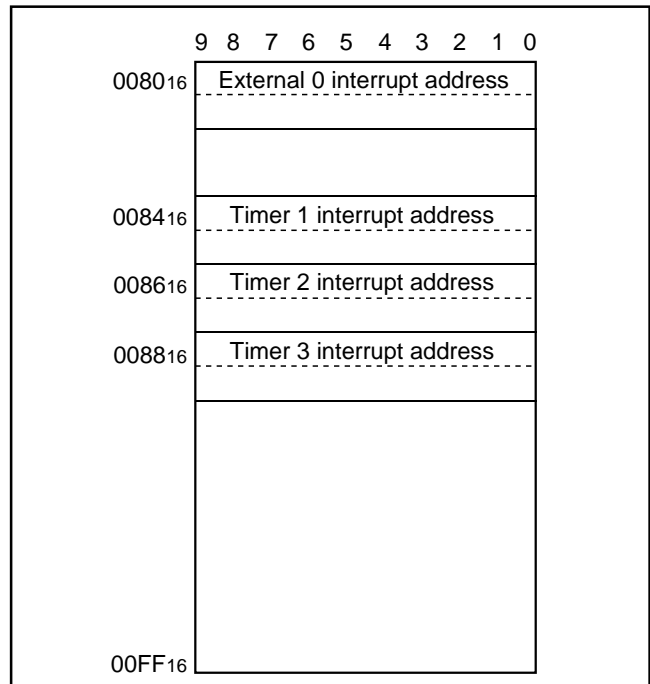


Fig. 11 Interrupt address page (addresses 0080₁₆ to 00FF₁₆) structure

DATA MEMORY (RAM)

1 word of RAM is composed of 4 bits, but 1-bit manipulation (with the SB j, RB j, and SZB j instructions) is enabled for the entire memory area. A RAM address is specified by a data pointer. The data pointer consists of registers Z, X, and Y. Set a value to the data pointer certainly when executing an instruction to access RAM.

Table 2 shows the RAM size. Figure 12 shows the RAM map.

Table 2 RAM size

Product	RAM size
M34570Mx	128 words X 4 bits (512 bits)
M34570Ex	

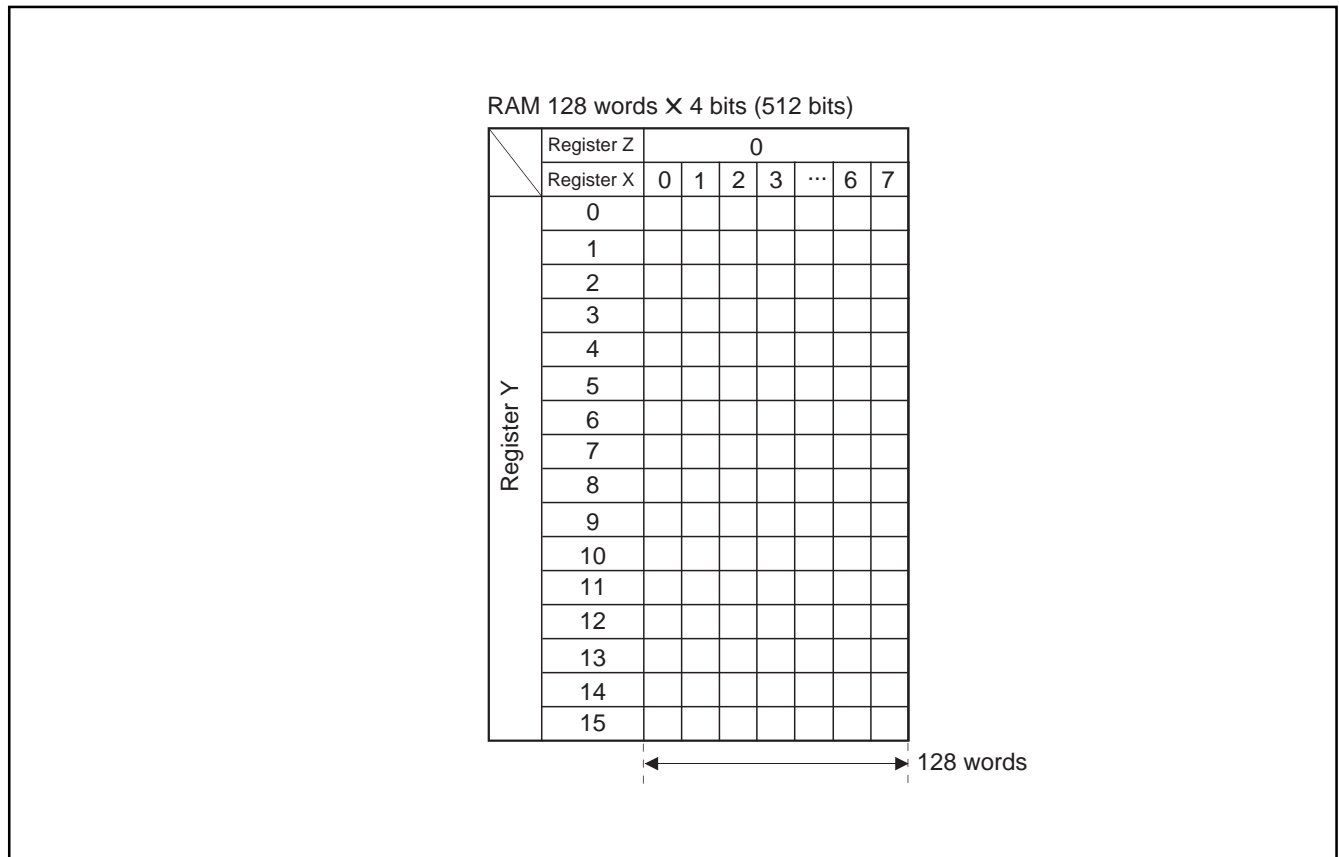


Fig. 12 RAM map

INTERRUPT FUNCTION

The interrupt type is a vectored interrupt branching to an individual address (interrupt address) according to each interrupt source. An interrupt occurs when the following 3 conditions are satisfied.

- Interrupt enable flag (INTE) = "1" (Interrupt enabled)
- Interrupt enable bit = "1" (Interrupt request occurrence enabled)
- An interrupt activated condition is satisfied (request flag = "1")

Table 3 shows interrupt sources. (Refer to each interrupt request flag for details of activated conditions.)

(1) Interrupt enable flag (INTE)

The interrupt enable flag (INTE) controls whether the every interrupt enable/disable. Interrupts are enabled when INTE flag is set to "1" with the EI instruction and disabled when INTE flag is cleared to "0" with the DI instruction. When any interrupt occurs, the INTE flag is automatically cleared to "0," so that other interrupts are disabled until the EI instruction is executed.

(2) Interrupt enable bits (V1₀–V1₃, V2₀–V2₃)

Use an interrupt enable bit of interrupt control registers V1 and V2 to select the corresponding interrupt request or skip instruction.

Table 4 shows the interrupt request flag, interrupt enable bit and skip instruction.

Table 5 shows the interrupt enable bit function.

(3) Interrupt request flag

When the activated condition for each interrupt is satisfied, the corresponding interrupt request flag is set to "1." Each interrupt request flag is cleared to "0" when either;

- an interrupt occurs, or
- the next instruction is skipped with a skip instruction.

Each interrupt request flag is set when the activated condition is satisfied even if the interrupt is disabled by the INTE flag or its interrupt enable bit. Once set, the interrupt request flag retains set until a clear condition is satisfied.

Accordingly, an interrupt occurs when the interrupt disable state is released while the interrupt request flag is set.

If more than one interrupt request flag is set when the interrupt disable state is released, the interrupt priority level is as follows shown in Table 3.

Table 3 Interrupt sources

Priority level	Interrupt name	Activated condition	Interrupt address
1	External 0 interrupt	Level change of INT pin	Address 0 in page 1
2	Timer 1 interrupt	Timer 1 underflow	Address 4 in page 1
3	Timer 2 interrupt	Timer 2 underflow	Address 6 in page 1
4	Timer 3 interrupt	Timer 3 underflow	Address 8 in page 1

Table 4 Interrupt request flag, interrupt enable bit and skip instruction

Interrupt name	Request flag	Enable bit	Skip instruction
External 0 interrupt	EXF0	V1 ₀	SNZ0
Timer 1 interrupt	T1F	V1 ₂	SNZT1
Timer 2 interrupt	T2F	V1 ₃	SNZT2
Timer 3 interrupt	T3F	V2 ₀	SNZT3

Table 5 Interrupt enable bit function

Interrupt enable bit	Occurrence of interrupt request	Skip instruction
1	Enabled	Invalid
0	Disabled	Valid

(4) Internal state during an interrupt

The internal state of the microcomputer during an interrupt is as follows (Figure 14).

- Program counter (PC)
An interrupt address is set in program counter. The address to be executed when returning to the main routine is automatically stored in the stack register (SK).
- Interrupt enable flag (INTE)
INTE flag is cleared to "0" so that interrupts are disabled.
- Interrupt request flag
Only the request flag for the current interrupt source is cleared to "0."
- Data pointer, carry flag, skip flag, registers A and B
The contents of these registers and flags are stored automatically in the interrupt stack register (SDP).

(5) Interrupt processing

When an interrupt occurs, a program at an interrupt address is executed after a branch to a sequence for storing data into stack register is performed. Write the branch instruction to an interrupt service routine at an interrupt address. Use the RTI instruction to return to main routine. Interrupt enabled by executing the EI instruction is performed after executing 1 instruction (just after the next instruction is executed). Accordingly, when the EI instruction is executed just before the RTI instruction, interrupts are enabled after returning to the main routine. (Refer to Figure 13)

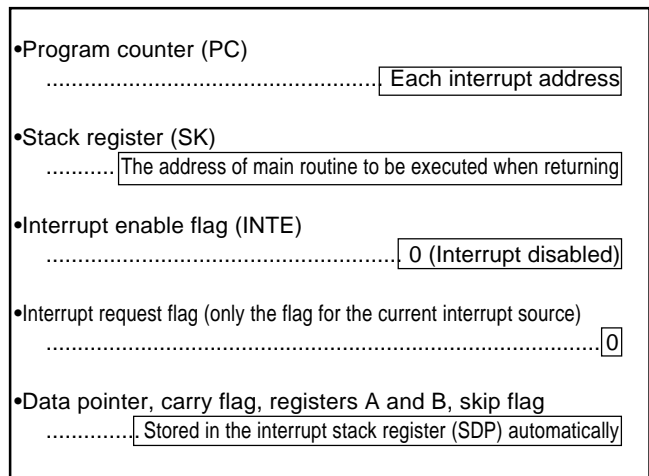


Fig. 14 Internal state when interrupt occurs

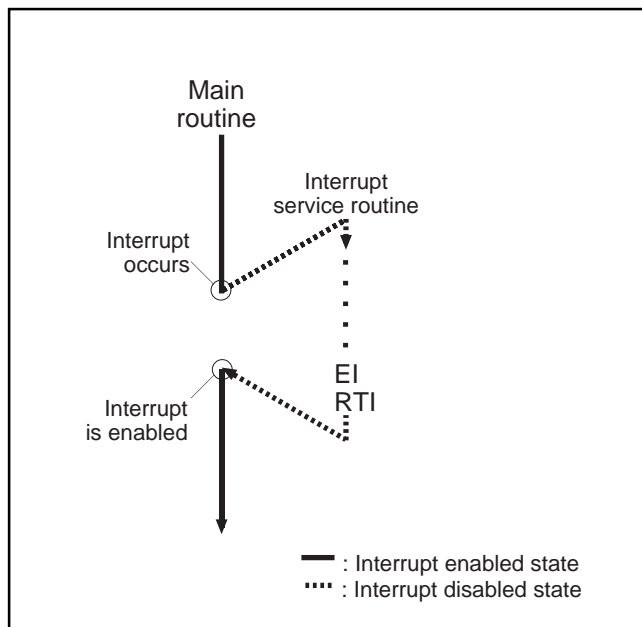


Fig. 13 Program example of interrupt processing

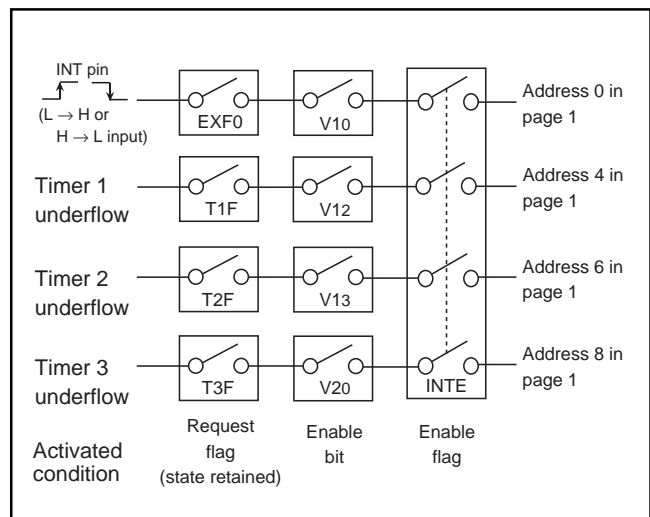


Fig. 15 Interrupt system diagram

(6) Interrupt control register

● Interrupt control register V1

Interrupt enable bits of external 0, timer 1 and timer 2 are assigned to register V1. Set the contents of this register through register A with the TV1A instruction. The TAV1 instruction can be used to transfer the contents of register V1 to register A.

● Interrupt control register V2

Interrupt enable bit of timer 3 is assigned to register V2. Set the contents of this register through register A with the TV2A instruction. The TAV2 instruction can be used to transfer the contents of register V2 to register A.

Table 6 Interrupt control register

Interrupt control register V1		at reset : 0000 ₂	RAM back-up : 0000 ₂	R/W
V1 ₃	Timer 2 interrupt enable bit	0	Interrupt disabled (SNZT2 instruction is valid)	
		1	Interrupt enabled (SNZT2 instruction is invalid)	
V1 ₂	Timer 1 interrupt enable bit	0	Interrupt disabled (SNZT1 instruction is valid)	
		1	Interrupt enabled (SNZT1 instruction is invalid)	
V1 ₁	Not used	0	This bit has no function, but read/write is enabled.	
		1		
V1 ₀	External 0 interrupt enable bit	0	Interrupt disabled (SNZ0 instruction is valid)	
		1	Interrupt enabled (SNZ0 instruction is invalid)	

Interrupt control register V2		at reset : 0000 ₂	at RAM back-up : 0000 ₂	R/W
V2 ₃	Not used	0	This bit has no function, but read/write is enabled.	
		1		
V2 ₂	Not used	0	This bit has no function, but read/write is enabled.	
		1		
V2 ₁	Not used	0	This bit has no function, but read/write is enabled.	
		1		
V2 ₀	Timer 3 interrupt enable bit	0	Interrupt disabled (SNZT3 instruction is valid)	
		1	Interrupt enabled (SNZT3 instruction is invalid)	

Note: "R" represents read enabled, and "W" represents write enabled.

(7) Interrupt sequence

Interrupts occur only when the respective INTE flag, interrupt enable bits (V10–V13 and V20–V23), and interrupt request flags (EXF0, T1F, T2F, T3F) are “1.” The interrupt actually occurs 2 to 3 machine cycles after the cycle in which all three

conditions are satisfied. The interrupt occurs after 3 machine cycles only when the three interrupt conditions are satisfied on execution of instructions other than one-cycle instructions (Refer to Figure 16).

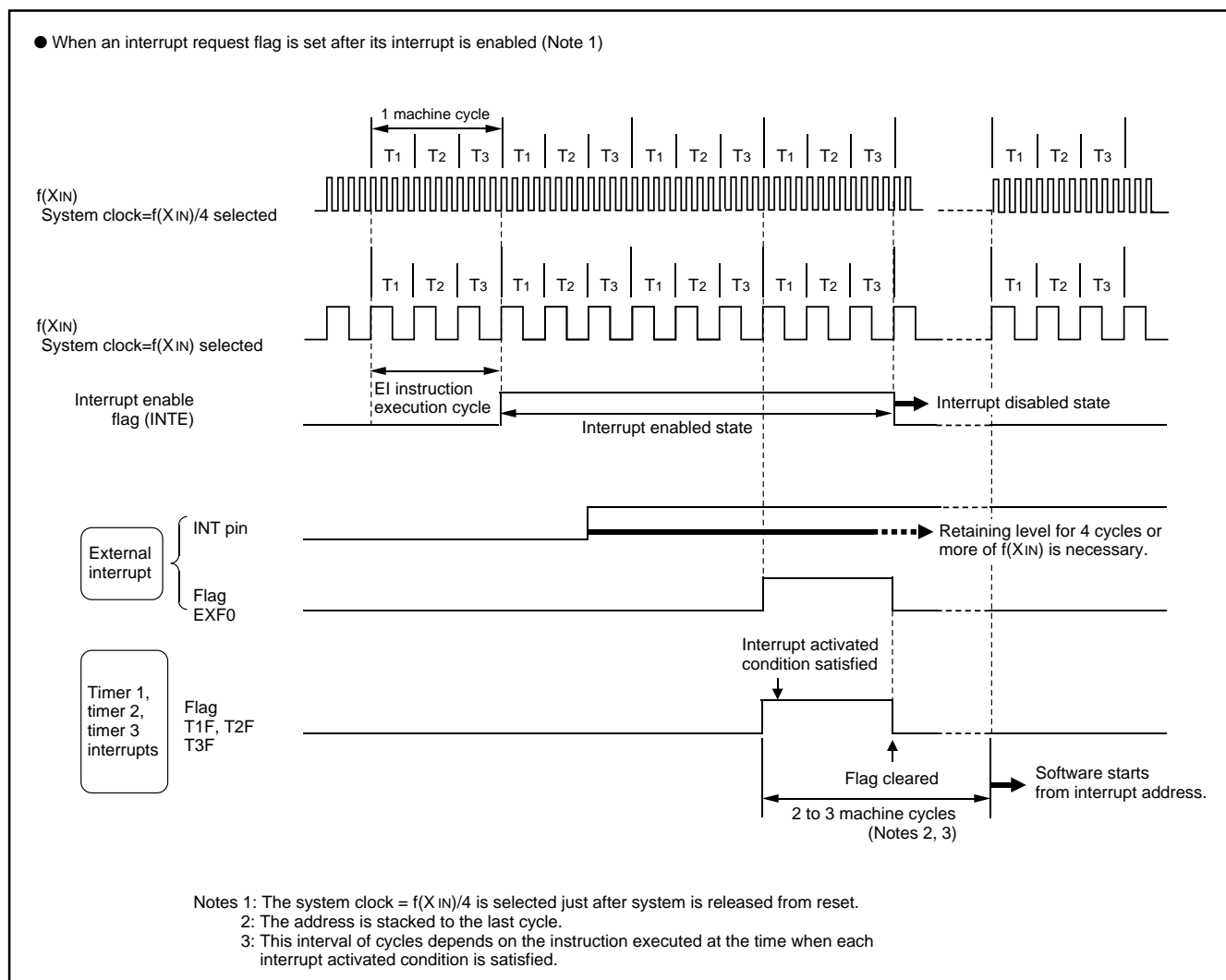


Fig. 16 Interrupt sequence

EXTERNAL INTERRUPTS

An external interrupt request occurs when a valid waveform (= waveform causing the external 0 interrupt) is input to an interrupt input pin (edge detection).

The external 0 interrupt can be controlled with the interrupt control register I1.

Table 7 External interrupt activated condition

Name	Input pin	Valid waveform	Valid waveform selection bit (I12)
External 0 interrupt	P21/INT	Falling waveform ("H"→"L")	0
		Rising waveform ("L"→"H")	1

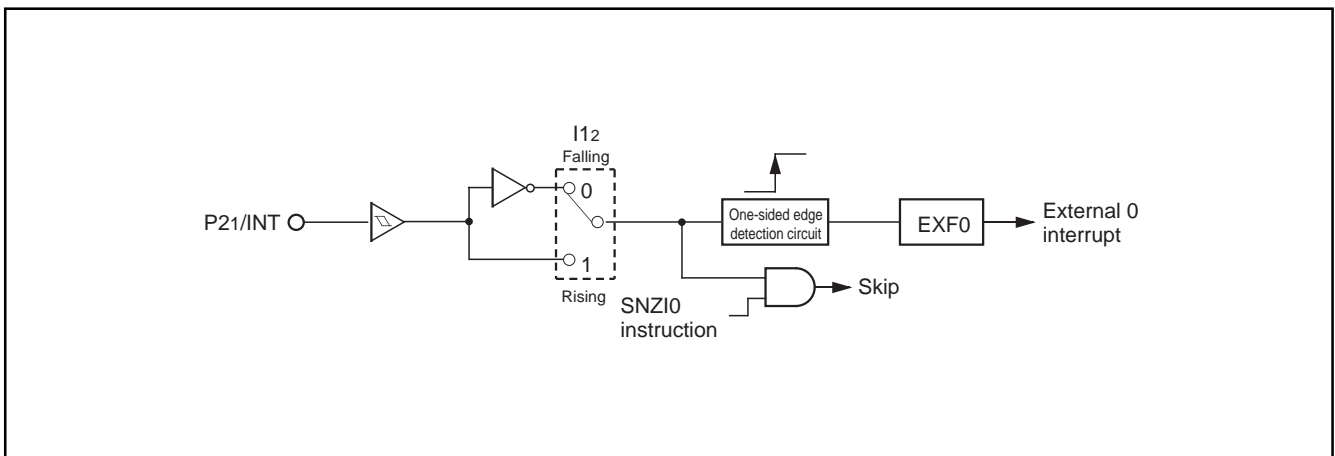


Fig. 17 External interrupt circuit structure

(1) External 0 interrupt request flag (EXF0)

External 0 interrupt request flag (EXF0) is set to "1" when a valid waveform is input to P2₁/INT pin.

The valid waveforms causing the interrupt must be retained at their level for 4 cycles or more of the system clock (Refer to Figure 16).

The state of EXF0 flag can be examined with the skip instruction (SNZ0). Use the interrupt control register V1 to select the interrupt or the skip instruction. The EXF0 flag is cleared to "0" when an interrupt occurs or when the next instruction is skipped with the skip instruction.

The P2₁/INT pin need not be selected the external interrupt input INT function or the normal input port P2₁ function. However, the EXF0 flag is set to "1" when a valid waveform is input to P2₁/INT pin even if it is used as an input port P2₁.

● External 0 interrupt activated condition

External 0 interrupt activated condition is satisfied when a valid waveform is input to P2₁/INT pin.

The valid waveform can be selected from rising waveform or falling waveform. An example of how to use the external 0 interrupt is as follows.

- ① Select the valid waveform with the bit 2 of register I1.
- ② Clear the EXF0 flag to "0" with the SNZ0 instruction.
- ③ Set the NOP instruction for the case when a skip is performed with the SNZ0 instruction.
- ④ Set both the external 0 interrupt enable bit (V1₀) and the INTE flag to "1."

The external 0 interrupt is now enabled. Now when a valid waveform is input to the P2₁/INT pin, the EXF0 flag is set to "1" and the external 0 interrupt occurs.

(2) External interrupt control register

● Interrupt control register I1

Register I1 controls the valid waveform for the external 0 interrupt, the return level (valid level of wakeup signal) from the RAM back-up and P2₁/INT pin function. Set the contents of this register through register A with the TI1A instruction. The TAI1 instruction can be used to transfer the contents of register I1 to register A.

Table 8 External interrupt control register

Interrupt control register I1		at reset : 0000 ₂	at RAM back-up : state retained	R/W
I1 ₃	Not used	0	This bit has no function, but read/write is enabled.	
		1		
I1 ₂	Interrupt valid waveform for INT pin/return level selection bit (Note 2)	0	Falling waveform ("L" level of INT pin is recognized with the SNZIO instruction)/"L" level	
		1	Rising waveform ("H" level of INT pin is recognized with the SNZIO instruction)/"H" level	
I1 ₁	Not used	0	This bit has no function, but read/write is enabled.	
		1		
I1 ₀	Not used	0	This bit has no function, but read/write is enabled.	
		1		

Notes 1: "R" represents read enabled, and "W" represents write enabled.

2: Depending on the input state of P2₁/INT pin, the external interrupt request flag EXF0 may be set to "1" when the contents of I1₂ is changed. Accordingly, set a value to bit 2 of register I1 and execute the SNZ0 instruction to clear the EXF0 flag after executing at least one instruction.

TIMERS

The 4570 Group has the programmable timers and a fixed dividing frequency timer.

● Programmable timer

The programmable timer has a reload register and enables the frequency dividing ratio to be set. It is decremented from a set value n . When it underflows (count to $n + 1$), a timer interrupt request flag is set to "1," new data is loaded from the reload register, and count continues (auto-reload function).

● Fixed dividing frequency timer

The fixed dividing frequency timer has the fixed frequency dividing ratio (n). An interrupt request flag is set to "1" every n count of a count pulse.

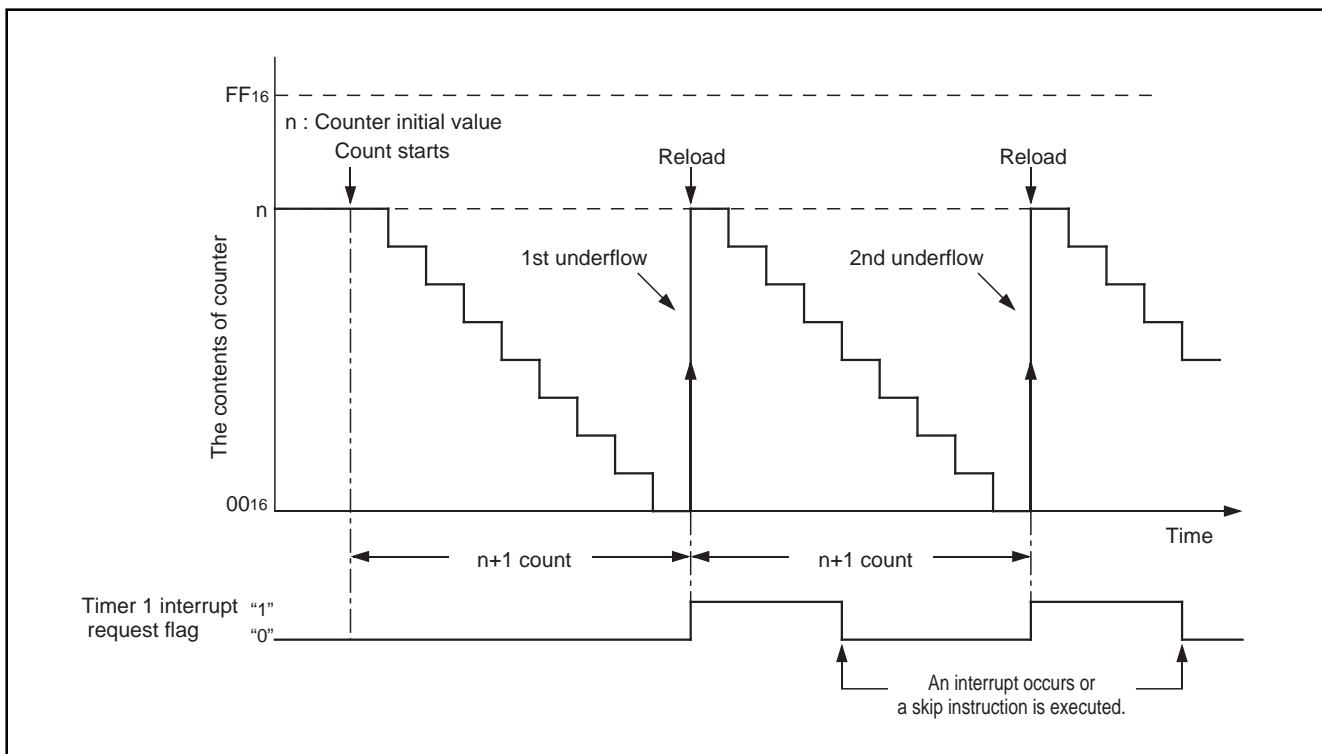


Fig. 18 Auto-reload function

The 4570 Group timer consists of the following circuits.

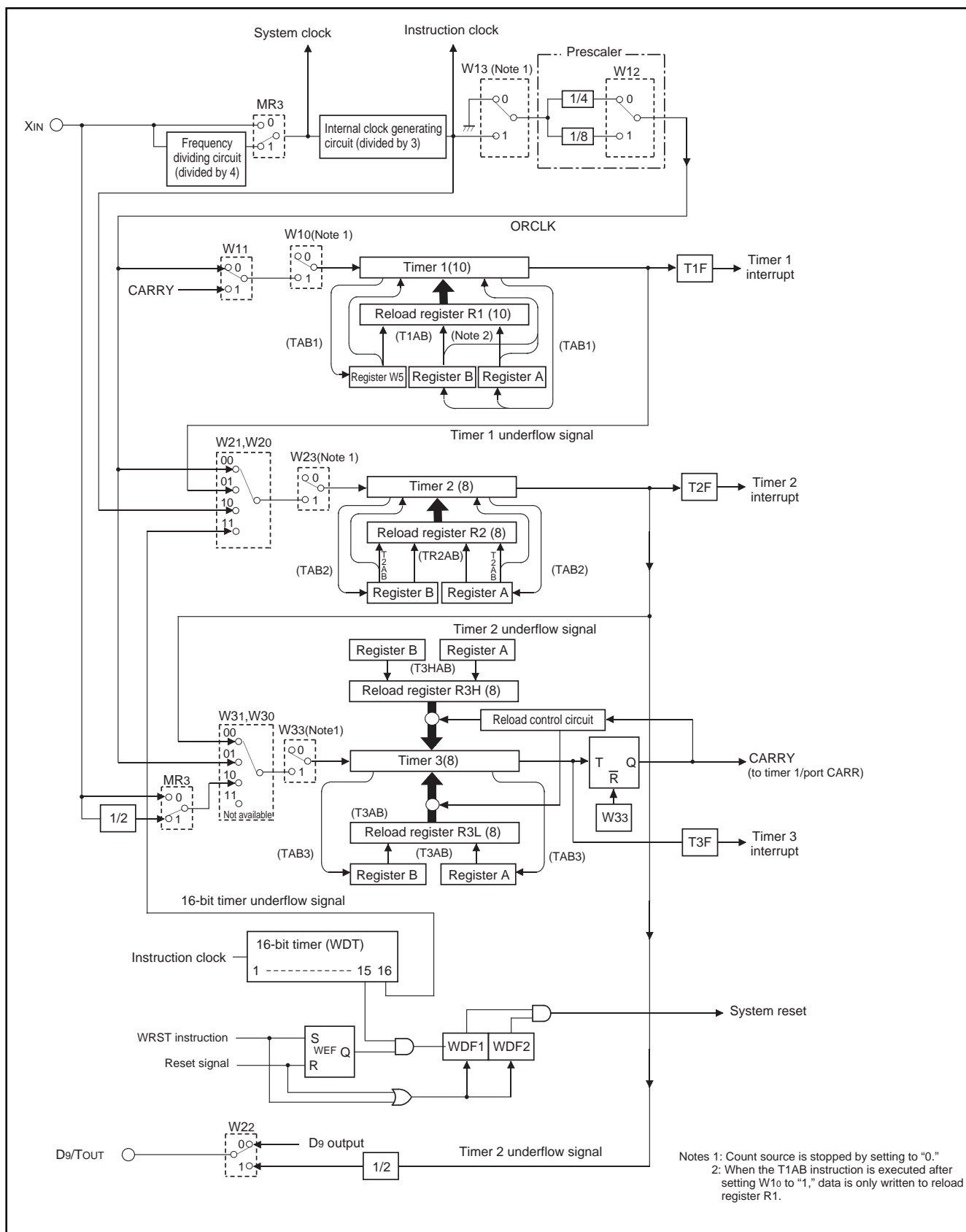
- Prescaler : frequency divider
- Timer 1 : 10-bit programmable timer with the interrupt function and the carrier wave output auto-control function
- Timer 2 : 8-bit programmable timer with the interrupt function
- Timer 3 : 8-bit programmable timer with the interrupt function and the carrier wave generation function
- 16-bit timer

Prescaler, timer 1, timer 2 and timer 3 can be controlled with the timer control registers W1, W2 and W3.

16-bit timer is the free-run counter without the control register. Each function is described below.

Table 9 Function related timers

Circuit	Structure	Count source	Frequency dividing ratio	Use of output signal	Control register
Prescaler	Frequency divider	• Instruction clock	4, 8	• Timer 1, 2 and 3 count sources	W1
Timer 1	10-bit programmable binary down counter	• Prescaler output (ORCLK) • Carrier wave generating circuit output (CARRY)	1 to 1024	• Timer 1 interrupt • Carrier wave output auto-control • Timer 2 count source	W1 (W5)
Timer 2	8-bit programmable binary down counter	• Prescaler output (ORCLK) • Timer 1 underflow • Instruction clock • 16-bit timer underflow	1 to 256	• Timer 2 interrupt • Timer 3 count source • TOUT output	W2
Timer 3	8-bit programmable binary down counter	• Prescaler output (ORCLK) • Timer 2 underflow • $f(X_{IN})$ or $f(X_{IN})/2$	1 to 256	• Timer 3 interrupt • Timer 1 count source • Carrier wave	W3
16-bit timer	16-bit fixed dividing frequency	• Instruction clock	65536	• Watchdog timer (15-th bit output is counted twice.) • Timer 2 count source (16-bit timer underflow)	



Notes 1: Count source is stopped by setting to "0."
 2: When the T1AB instruction is executed after setting W10 to "1," data is only written to reload register R1.

Fig. 19 Timers structure

Table 10 Timer control registers

Timer control register W1		at reset : 0000 ₂		at RAM back-up : 0000 ₂	R/W
W1 ₃	Prescaler control bit	0	Stop (prescaler state initialized)		
		1	Operating		
W1 ₂	Prescaler dividing ratio selection bit	0	Instruction clock divided by 4		
		1	Instruction clock divided by 8		
W1 ₁	Timer 1 count source selection bit	0	Prescaler output (ORCLK)		
		1	Carrier output (CARRY)		
W1 ₀	Timer 1 control bit	0	Stop (state retained)		
		1	Operating		

Timer control register W2		at reset : 0000 ₂		at RAM back-up : state retained	R/W
W2 ₃	Timer 2 control bit	0	Stop (state retained)		
		1	Operating		
W2 ₂	Port D ₉ /TOUT pin function selection bit	0	Port D ₉		
		1	TOUT pin		
W2 ₁	Timer 2 count source selection bits	W2 ₁	W2 ₀	Count source	
		0	0	Prescaler output (ORCLK)	
0		1	Timer 1 underflow signal		
W2 ₀		1	0	Instruction clock	
	1	1	16-bit timer underflow signal		

Timer control register W3		at reset : 0000 ₂		at RAM back-up : state retained	R/W
W3 ₃	Timer 3 control bit	0	Stop (state retained)		
		1	Operating		
W3 ₂	Not used	0	This bit has no function, but read/write is enabled.		
		1			
W3 ₁	Timer 3 count source selection bits	W3 ₁	W3 ₀	Count source	
		0	0	Timer 2 underflow signal	
0		1	Prescaler output (ORCLK)		
W3 ₀		1	0	f(X _{IN}) or f(X _{IN})/2	
	1	1	Not available		

Timer count value store register W5		at reset : 00 ₂		at RAM back-up : state retained	R/W
2-bit register. The contents of the high-order 2 bits (bits 9 and 8) of the 10-bit ROM pattern at address (D ₂ D ₁ D ₀ A ₃ A ₂ A ₁ A ₀) in page p specified by registers D and A is stored in this register W5 with the TABP p instruction. In addition, data can be transferred between the low-order 2 bits of register A and this register W5 with the TW5A or TAW5 instruction. Data can be read/written to/from the high-order 2 bits of timer 1 with the T1AB or TAB1 instruction.					

Note: "R" represents read enabled, and "W" represents write enabled.

(1) Timer control registers

- **Timer control register W1**
Register W1 controls the count source and count operation of timer 1, the frequency dividing ratio and count operation of prescaler. Set the contents of this register through register A with the TW1A instruction. The TAW1 instruction can be used to transfer the contents of register W1 to register A.
- **Timer control register W2**
Register W2 controls the count operation and count source of timer 2 and D₉/TOUT pin function. Set the contents of this register through register A with the TW2A instruction. The TAW2 instruction can be used to transfer the contents of register W2 to register A.
- **Timer control register W3**
Register W3 controls the count operation and count source of timer 3. Set the contents of this register through register A with the TW3A instruction. The TAW3 instruction can be used to transfer the contents of register W3 to register A.
- **Timer count value store register W5**
2-bit register. The contents of the high-order 2 bits (bits 9 and 8) of the 10-bit ROM pattern at address in page p specified by registers D and A is stored in this register W5 with the TABP p instruction.
In addition, data can be transferred between the low-order 2 bits of register A and this register W5 with the TW5A or TAW5 instruction. Data can be read/written to/from the high-order 2 bits of timer 1 with the T1AB or TAB1 instruction.

(2) Precautions

Note the following for the use of timers.

- **Prescaler**
Stop the prescaler operation to change its frequency dividing ratio.
- **Count source**
Stop timer 1, 2 or 3 counting to change its count source.
- **Reading the timer count value**
Stop each of the timers and then execute the TAB1, TAB2 or TAB3 instruction to read timer 1, 2 or 3 data.
- **Writing to reload register R1**
When writing data to reload register R1 while timer 1 is operating, avoid a timing when timer 1 underflows.
- **Writing to reload register R3H**
When writing data to reload register R3H while timer 3 is operating, avoid a timing when timer 3 underflows.

(3) Prescaler

Prescaler is a frequency divider. Its frequency dividing ratio can be selected. The count source of prescaler is the instruction clock.

Use the bit 2 of register W1 to select the prescaler dividing ratio and the bit 3 to start and stop its operation. When the bit 3 of register W1 is cleared to "0," prescaler is initialized, and the output signal (ORCLK) stops.

(4) Timer 1 (interrupt function)

Timer 1 is a 10-bit binary down counter with the timer 1 reload register (R1). The 10-bit data can be set in timer 1 through registers A, B and W5. Set bits 0 to 3 to register A, bits 4 to 7 to register B and bits 8 to 9 to register W5 to set data to timer 1. Also, ROM pattern (bits 0 to 9) can be set to registers A, B and W5 with the TABP p instruction. Execute the T1AB instruction to set data in timer 1.

When timer 1 stops, 10-bit data can be set simultaneously in timer 1 and the reload register (R1) with the T1AB instruction. When timer 1 is operating, data can be set only in the reload register (R1) with the T1AB instruction.

When setting the next count data to reload register R1 while timer 1 is operating, be sure to set data before timer 1 underflows.

Timer 1 starts counting after the following process;

- ① set data in timer 1,
- ② select the count source with bit 1 of register W1,
- ③ set the bit 0 of register W1 to "1."

Once count is started, when timer 1 underflows (the next count pulse is input after the contents of timer 1 becomes "0"), the timer 1 interrupt request flag (T1F) is set to "1," new data is loaded from reload register R1, and count continues (auto-reload function).

When a value set in reload register R1 is n, timer 1 divides the count source signal by n + 1 (n = 0 to 1023).

Data can be read from timer 1 to registers A, B and W5. Stop counting and then execute the TAB1 instruction to read its data.

(5) Timer 2 (interrupt function)

Timer 2 is an 8-bit binary counter with the timer 2 reload register (R2). Data can be set simultaneously in timer 2 and the reload register (R2) with the TAB2 instruction. Also, data can be set only in the reload register (R2) with the TR2AB instruction.

Timer 2 starts counting after following process;

- ① set data in timer 2,
- ② select the count source with bits 0 and 1 of register W2,
- ③ set the bit 3 of register W2 to "1."

Once count is started, when timer 2 underflows (the next count pulse is input after the contents of timer 2 becomes "0"), the timer 2 interrupt request flag (T2F) is set to "1," new data is loaded from reload register R2, and count continues (auto-reload function).

When a value set in reload register R2 is n, timer 2 divides the count source signal by n+1 (n = 0 to 255).

Data can be read from timer 2 to registers A and B with the TAB2 instruction. Stop counting and then execute the TAB2 instruction to read its data.

(6) Timer 3

Timer 3 is an 8-bit binary down counter with the timer 3 reload registers (R3H, R3L). Data can be set simultaneously in timer 3 and the reload register (R3L) with the T3AB instruction. Data can be set in reload register R3H with the T3HAB instruction.

Timer 3 starts counting after the following process;

- ① set data in timer 3,
- ② select the count source with the bits 1 and 0 of register W3,
- ③ set the bit 3 of register W3 to "1."

The $f(X_{IN})$ or $f(X_{IN})/2$ is selected as the count source by setting W3₁ to "1" and W3₀ to "0."

When the $f(X_{IN})$ is selected as the system clock (bit 3 of clock control register MR= "0"), $f(X_{IN})$ is selected as the count source.

When the $f(X_{IN})/4$ is selected as the system clock (bit 3 of clock control register MR= "1"), $f(X_{IN})/2$ is selected as the count source.

Once count is started, when timer 3 underflows (the next count pulse is input after the contents of timer 3 become "0"), the timer 3 interrupt request flag (T3F) is set to "1," new data is loaded from reload register R3H, and count continues (auto-reload function).

When the timer 3 underflows again after auto-reload is performed, the timer 3 interrupt request flag (T3F) is set to "1" and new data is reloaded from the reload register R3L and count continues. Timer 3 reloads data from reload register R3H or R3L alternately every underflow.

When the T3AB instruction is executed while timer 3 is operating, new data is set in timer 3 and reload register R3L, count is started again at the next machine cycle. At the next underflow, data is reloaded from R3H and count continues regardless that auto-reload is performed from reload register R3H or R3L at the previous underflow.

Data can be read from timer 3 through registers A and B. Stop counting and then execute the TAB3 instruction to read its data. Timer 3 can be also used as the carrier wave generating circuit.

(7) Timer output pin (D₉/T_{OUT})

Timer output pin (D₉/T_{OUT}) is used to output the timer 2 underflow signal.

The D₉/T_{OUT} pin function can be selected by the bit 2 of register W2.

(8) Timer interrupt request flags (T1F, T2F, T3F)

Each timer interrupt request flag is set to "1" when each timer underflows. The state of these flags can be examined with the skip instructions (SNZT1, SNZT2, SNZT3).

Use the interrupt control registers V1 and V2 to select an interrupt or a skip instruction.

An interrupt request flag is cleared to "0" when an interrupt occurs or when the next instruction is skipped with a skip instruction.

WATCHDOG TIMER

Watchdog timer provides a method to reset the system when a program runs wild. Watchdog timer consists of 16-bit timer (WDT), watchdog timer enable flag (WEF), and watchdog timer flags (WDF1, WDF2).

Timer WDT starts downcounting the instruction clocks as the count source immediately after system is released from reset. The underflow signal is generated when the count value reaches "0000₁₆." This underflow signal can be used as the timer 2 count source.

When the WRST instruction is executed after system is released from reset, the WEF flag is set to "1." At this time, the watchdog timer starts operating.

When the count value of timer WDT reaches "BFFF₁₆" or "3FFF₁₆," WDF1 flag is set to "1." Then, if the WRST instruction is not executed while the timer WDT counts 32767, the WDF2 flag is set to "1" and the $\overline{\text{RESET}}$ pin outputs "L" level to reset the microcomputer. In software using the watchdog timer, make sure that the WRST instruction is executed in 32766 machine cycles or less in order to keep the microcomputer operating normally. To prevent the watchdog timer from stopping in the event of misoperation, the WEF flag is designed not to be initialized once the WRST instruction has been executed. Note also that, if the WRST instruction is never executed, the watchdog timer does not start.

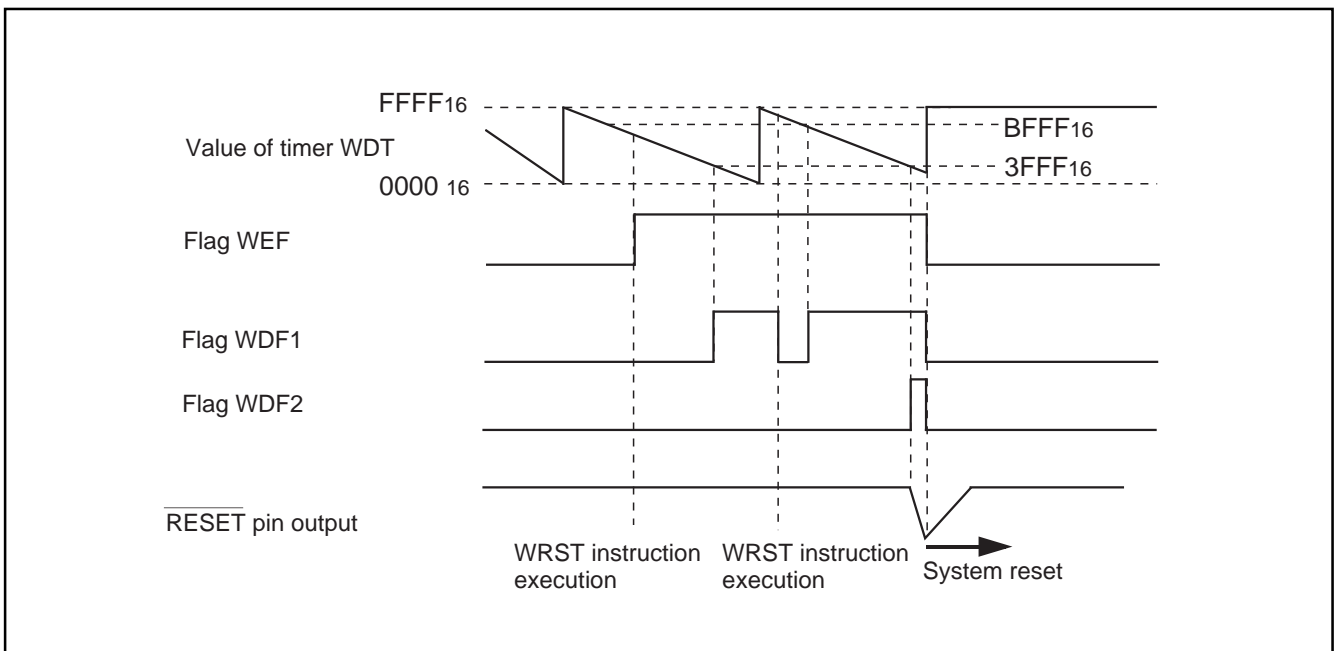


Fig. 20 Watchdog timer function

The contents of the WEF flag, the WDF1 and WDF2 flags and the timer WDT are initialized at the RAM back-up mode.

However, if the WDF2 flag is set to "1" at the same time that the microcomputer enters the RAM back-up mode, system reset may be performed.

When using the watchdog timer and the RAM back-up mode, initialize the WDF1 flag with the WRST instruction just before the microcomputer enters the RAM back-up mode (refer to Figure 21).

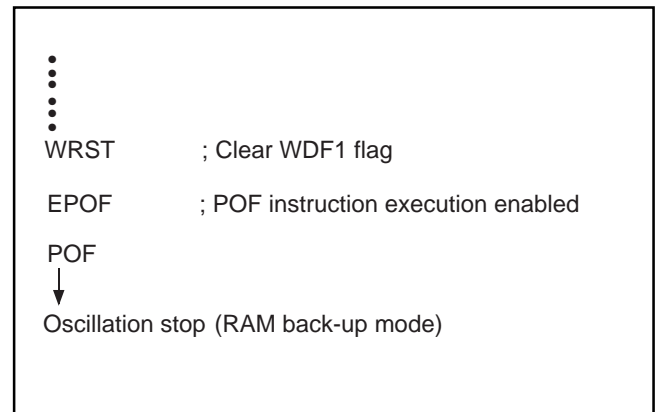


Fig. 21 Program example to enter the RAM back-up mode when using the watchdog timer

CARRIER WAVE GENERATING CIRCUIT

The 4570 Group has a carrier wave generating circuit that generates the transfer waveform for various remote control carrier wave.

The carrier wave generating circuit outputs the signal inverted every timer 3 underflow (CARRY) from port CARR.

When using the carrier wave generating circuit, select the $f(X_{IN})$ or $f(X_{IN})/2$ for the timer 3 count source ($W3_1="1"$, $W3_0="0"$).

When the bit 3 of the clock control register MR is "0" (system clock= $f(X_{IN})$), $f(X_{IN})$ is selected as the count source.

When the bit 3 of the clock control register MR is "1" (system clock= $f(X_{IN})/4$), $f(X_{IN})/2$ is selected as the count source.

Set the count value corresponding to "L" interval of carrier wave output to timer 3 reload register R3L.

Set the count value corresponding to "H" interval of carrier wave output to timer 3 reload register R3H.

Also, timer 1 can auto-control the carrier wave output of port CARR by setting the carrier wave output control register (C2).

When timer 3 is stopped, the output level of port CARR is initialized. ("L" level)

(1) Carrier wave output control register (C2)

Timer 1 can auto-control the output enable interval and the output disable interval of the carrier wave output from port CARR by setting the bit 0 of register C2 to "1." Set the contents of this register through register A with the TC2A instruction.

The setting of the output enable/disable interval is described below.

- ① Validate the carrier wave output auto-control function ($C2_0="1"$).
- ② Set the count value ("L" interval of carrier wave output) to timer 3 and reload register R3L.
- ③ Set the count value ("H" interval of carrier wave output) to timer 3 reload register R3H.
- ④ Set the count value (the output enable interval of carrier wave from port CARR) to timer 1.
- ⑤ Select the carrier wave ($W1_1 = "1"$) as the timer 1 count source.
- ⑥ Operate timer 1 ($W1_0="1"$).
- ⑦ Operate timer 3 ($W3_3="1"$).
- ⑧ Set the next count value (the output disable interval of carrier wave from port CARR) to reload register R1 before timer 1 underflow occurs.

The carrier wave is output from port CARR until the first timer 3 underflow occurs. The output of the carrier wave from port CARR is disabled and the next count value is loaded from reload register R1 to timer 1 by the first timer 1 underflow.

Then, the output of carrier wave is disabled until the second timer 1 underflow occurs. Also, the next enable interval of the carrier wave output can be set by setting the third count value to timer 1 reload register R1 before the second timer 1 underflow occurs.

If the carrier wave output auto-control function is invalidated ($C2_0="0"$) while the carrier wave output is auto-controlled, the output of port CARR retains the state when the auto-control is invalidated regardless of timer 1 underflow. This state can be terminated by timer 1 stop ($W1_0="0"$).

When the carrier wave output auto-control function is validated ($C2_0="1"$) again after it is invalidated ($C2_0="0"$), the auto-control of carrier wave output is started again when the next timer 1 underflow occurs.

Stop the timer 3 and invalidate the auto-control function by timer 1 to use the port CARR output control bit ($C2_1$).

(2) Notes when using the carrier wave output auto-control function

- Set the timer 1 and register C2 before timer 3 is started to operate ($W3_3="1"$).
- Stop the timer 1 ($W1_0="0"$) after stopping the timer 3 ($W3_3="0"$) while the carrier wave output is disabled in order to stop the carrier wave output auto-control operation.
- If the carrier wave output auto-control function is invalidated ($C2_0="0"$) while the carrier wave output is auto-controlled, the output of port CARR retains the state when the auto-control is invalidated regardless of timer 1 underflow. When the carrier wave output auto-control function is validated ($C2_0="1"$) again after it is invalidated ($C2_0="0"$), the auto-control by timer 1 is validated again when the next timer 1 underflow occurs. However, when the carrier wave output auto-control bit ($C2_0$) is changed during timer 1 underflow, the error-operation may occur.
- When the carrier wave output auto-control function is selected, use the carrier wave CARRY as the timer 1 count source. If the ORCLK is used as the count source, a short pulse may occur in port CARR output because ORCLK is not synchronized with the carrier wave.
- When the carrier wave output auto-control function is selected and data is set to reload register R1 while timer 1 is operating, avoid the timing that the contents of timer 1 becomes "0" to execute the T1AB instruction.

Table 11 Carrier wave output control register

Carrier wave output control register C2		at reset : 00z		at RAM back-up : 00z	W
C2 ₁	Port CARR output control bit	0	Port CARR "L" level output		
		1	Port CARR "H" level output		
C2 ₀	Carrier wave output auto-control bit	0	Auto-control output by timer 1 is invalid		
		1	Auto-control output by timer 1 is valid		

Note: "W" represents write enabled.

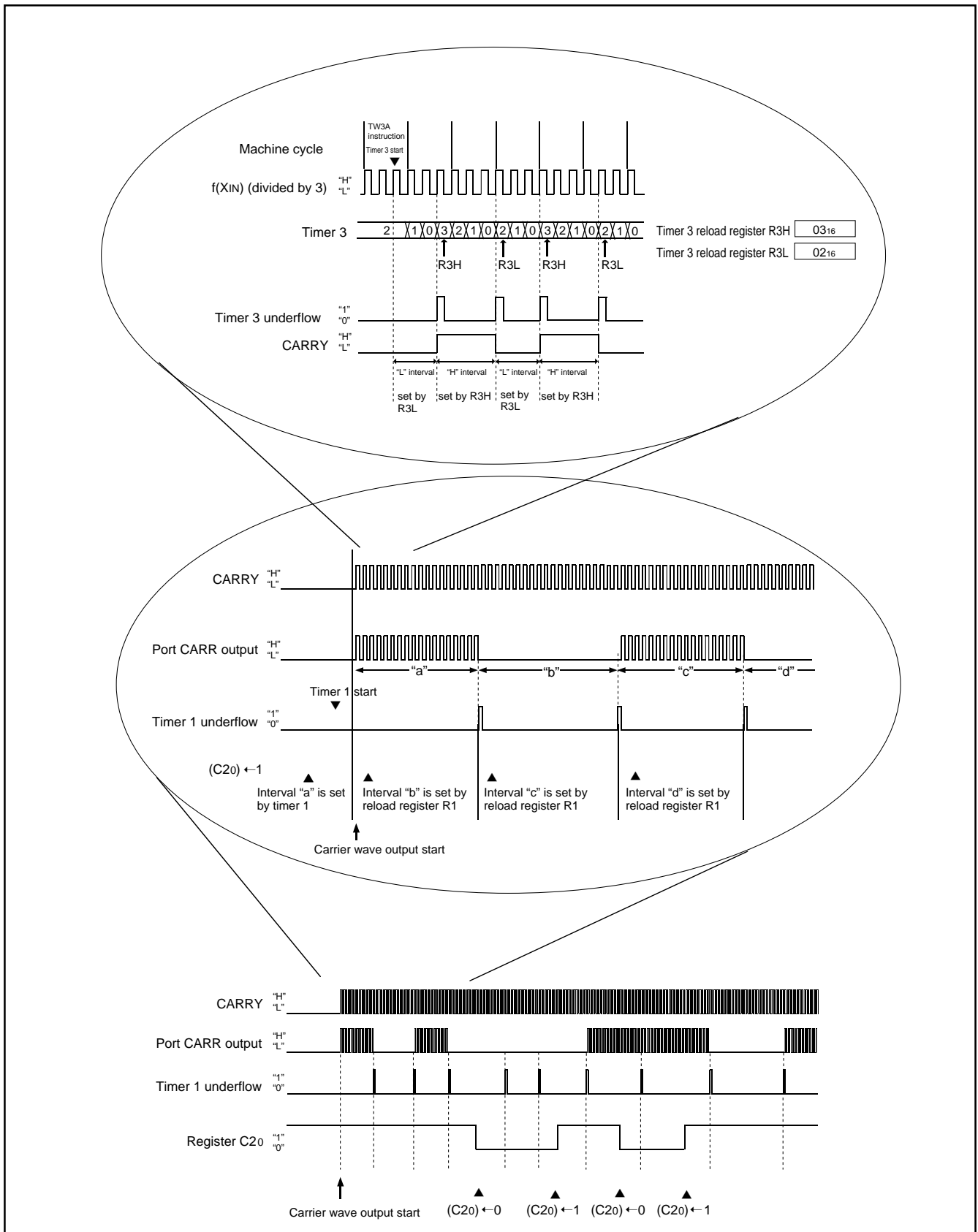


Fig. 22 Carrier wave output auto-control by timer 1

RESET FUNCTION

System reset is performed by applying "L" level to RESET pin for 1 machine cycle or more when the following condition is satisfied;

- the value of supply voltage is the minimum value or more of the recommended operating conditions.
- Then when "H" level is applied to RESET pin, software starts from address 0 in page 0.

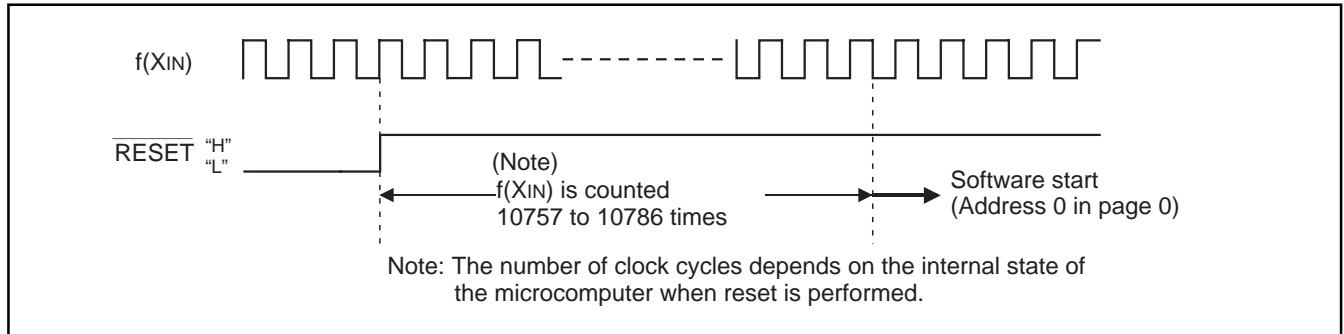


Fig. 23 Reset release timing

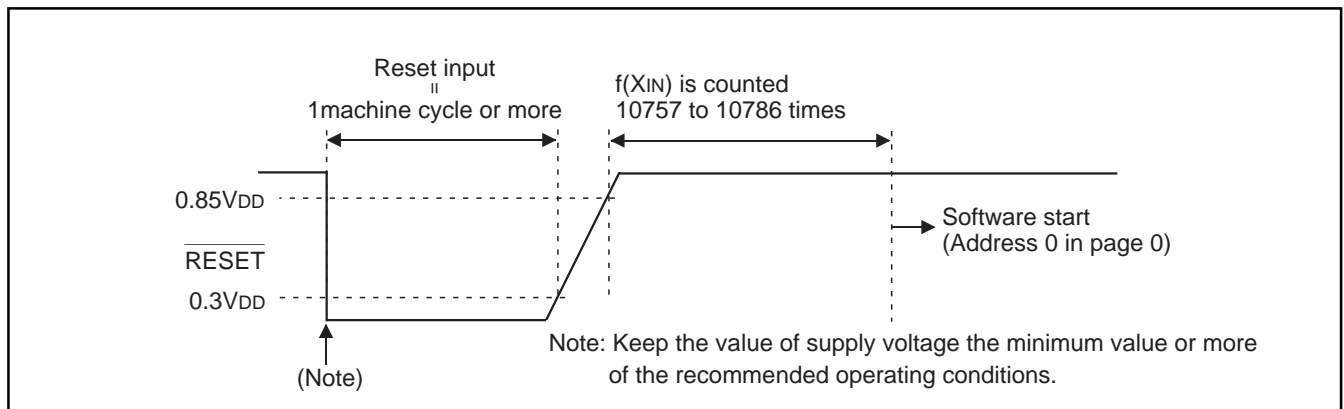


Fig. 24 RESET pin input waveform and reset operation

(1) Power-on reset

Reset can be automatically performed at power on (power-on reset) by the built-in power-on reset circuit. When the built-in power-on reset circuit is used, the time for the supply voltage to reach the minimum operating voltage must be set to 100

μs or less. If the rising time exceeds 100 μs , connect a capacitor between the RESET pin and Vss at the shortest distance, and input "L" level to RESET pin until the value of supply voltage reaches the minimum operating voltage.

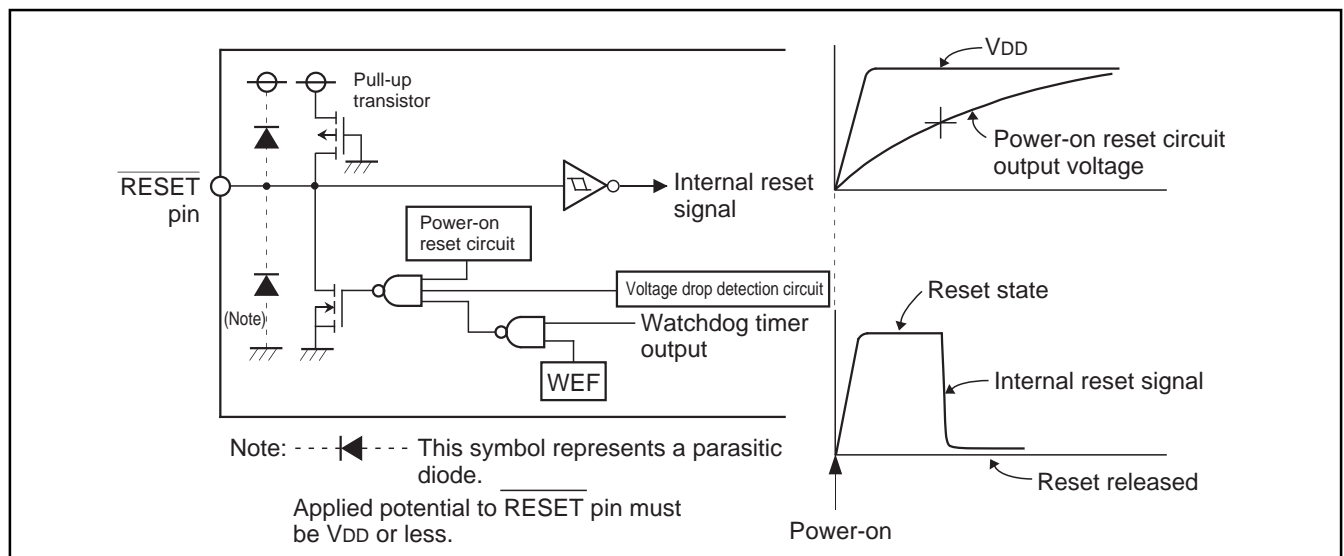


Fig. 25 Power-on reset circuit example

(2) Internal state at reset

Table 12 shows port state at reset, and Figure 26 shows internal state at reset (they are retained after system is released from reset).

The contents of timers, registers, flags and RAM except those shown in Figure 26 are undefined, so set the initial values to them.

Table 12 Port state at reset

Name	Function	State
D ₀ –D ₈ , D ₉ /TOUT	D ₀ –D ₈ , D ₉	High impedance (Note 1)
P ₀ –P ₀₃	P ₀ –P ₀₃	“H” (V _{DD}) level (Note 1)
P ₁ –P ₁₃	P ₁ –P ₁₃	
P ₂ ₀ , P ₂ ₁ /INT	P ₂ ₀ , P ₂ ₁	High impedance
P ₃ –P ₃₃	P ₃ –P ₃₃	High impedance (Note 1)
P ₄ –P ₄₃	P ₄ –P ₄₃	High impedance (Note 2)
CARR	CARR	“L” (V _{SS}) level

Notes 1: Output latch is set to “1.”

2: The pull-up transistor is turned off.

• Program counter (PC)	0 0 0 0 0 0 0 0 0 0 0 0 0 0 0 0	
Address 0 in page 0 is set to program counter.		
• Interrupt enable flag (INTE)	0	(Interrupt disabled)
• Power down flag (P)	0	
• External 0 interrupt request flag (EXF0)	0	
• Interrupt control register V1	0 0 0 0	(Interrupt disabled)
• Interrupt control register V2	0 0 0 0	(Interrupt disabled)
• Interrupt control register I1	0 0 0 0	
• Timer 1 interrupt request flag (T1F)	0	
• Timer 2 interrupt request flag (T2F)	0	
• Timer 3 interrupt request flag (T3F)	0	
• Watchdog timer flags (WDF1, WDF2)	0	
• Watchdog timer enable flag (WEF)	0	
• Timer control register W1	0 0 0 0	(Prescaler and timer 1 stopped)
• Timer control register W2	0 0 0 0	(Timer 2 stopped)
• Timer control register W3	0 0 0 0	(Timer 3 stopped)
• Timer count value store register W5	0 0	
• Clock control register MR	1 0 0 0	
• 8-bit general-purpose register S1	0 0 0 0 0 0 0 0	
• Carrier wave output control register C2	0 0	
• Key-on wakeup control register K0	0 0 0 0	
• Pull-up control register PU0	0 0 0 0	
• Carry flag (CY)	0	
• Register A	0 0 0 0	
• Register B	0 0 0 0	
• Register D	X X X	
• Register E	X X X X X X X X	
• Register X	0 0 0 0	
• Register Y	0 0 0 0	
• Register Z	X X	
• Stack pointer (SP)	1 1 1	“X” represents undefined.

Fig. 26 Internal state at reset

VOLTAGE DROP DETECTION CIRCUIT

The built-in voltage drop detection circuit is designed to detect a drop in voltage and to reset the microcomputer if the supply voltage drops below a set value.

The voltage drop detection circuit is not operated at the RAM back-up mode.

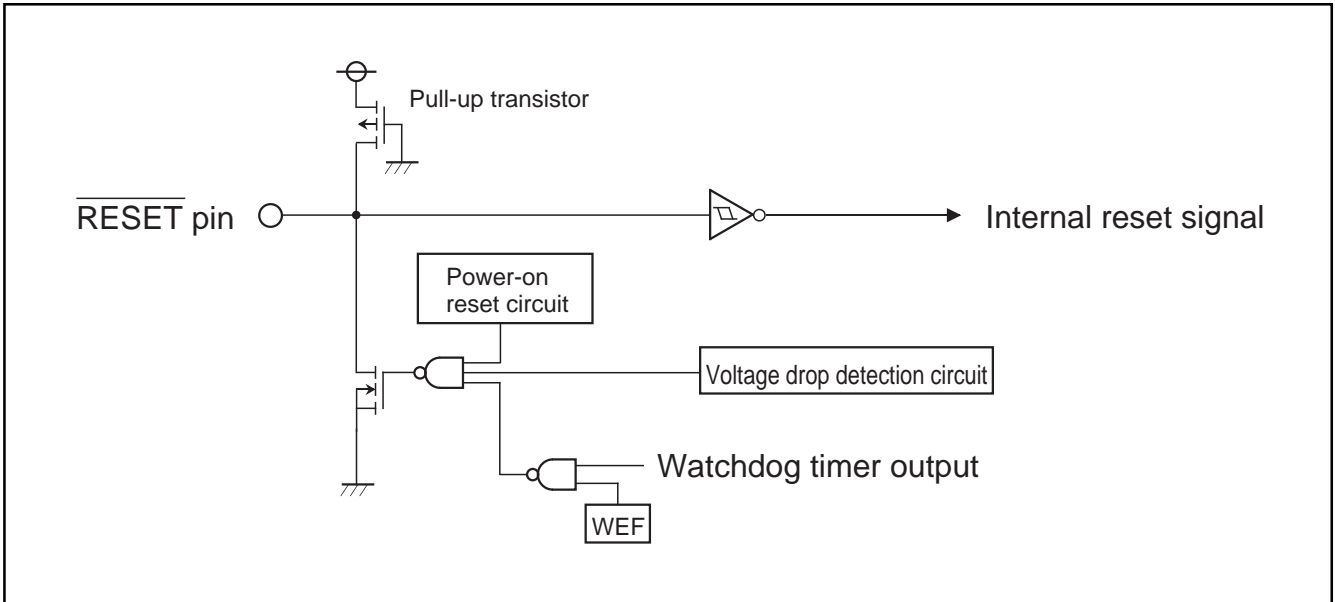


Fig. 27 Voltage drop detection reset circuit

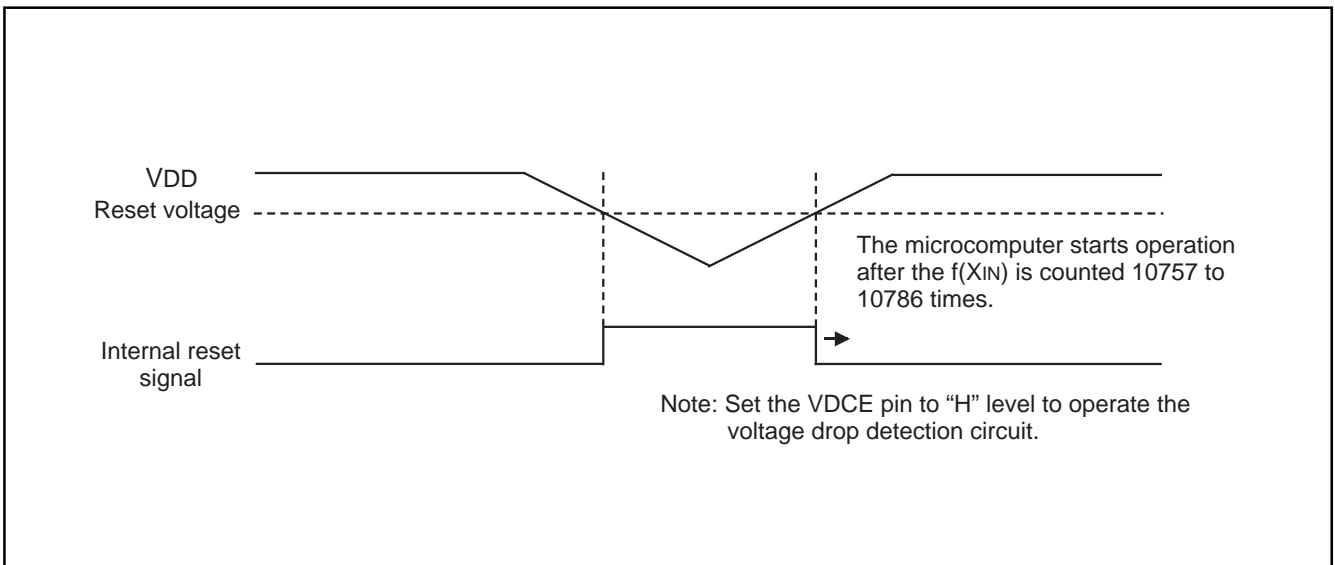


Fig. 28 Voltage drop detection circuit operation waveform

RAM BACK-UP MODE

The 4570 Group has the RAM back-up mode. When the EPOF and POF instructions are executed continuously, system enters the RAM back-up state. The POF instruction is equivalent to the NOP instruction when the EPOF instruction is not executed before the POF instruction. As oscillation is stopped retaining RAM, the function of reset circuit and states at RAM back-up mode, power dissipation can be reduced without losing the contents of RAM. Table 13 shows the function and states retained at RAM back-up. Figure 29 shows the state transition.

(1) Identification of the start condition

Warm start (return from the RAM back-up mode) or cold start (return from the normal reset state) can be identified by examining the state of the power down flag (P) with the SNZP instruction.

(2) Warm start condition

When the external wakeup signal is input after the system enters the RAM back-up mode by executing the EPOF and POF instructions continuously, the CPU starts executing the software from address 0 in page 0. In this case, the P flag is "1."

(3) Cold start condition

The CPU starts executing the software from address 0 in page 0 when;

- reset pulse is input to $\overline{\text{RESET}}$ pin, or
- reset by watchdog timer is performed, or
- voltage drop detection circuit detects the voltage drop.

In this case, the P flag is "0."

Table 13 Functions and states retained at RAM back-up

Function	RAM back-up
Program counter (PC), registers A, B, carry flag (CY), stack pointer (SP) (Note 2)	X
Contents of RAM	O
Port level	O
Clock control register MR	O
Timer control register W1	X
Timer control registers W2, W3	O
Timer count value store register W5	O
Interrupt control registers V1, V2	X
Interrupt control register I1	O
Carrier wave output control register C2	X
8-bit general-purpose register SI	O
Timer 1 function	X
Timer 2 function	(Note 3)
Timer 3 function	(Note 3)
Pull-up control register PU0	O
Key-on wakeup control register K0	O
External 0 interrupt request flag (EXF0)	X
Timer 1 interrupt request flag (T1F)	X
Timer 2 interrupt request flag (T2F)	(Note 3)
Timer 3 interrupt request flag (T3F)	(Note 3)
Watchdog timer flag 1 (WDF1)	X (Note 4)
Watchdog timer flag 2 (WDF2)	X (Note 4)
Watchdog timer enable flag (WEF)	X (Note 4)
16-bit timer (WDT)	X (Note 4)
Interrupt enable flag (INTE)	X

Notes 1: "O" represents that the function can be retained, and "X" represents that the function is initialized.

Registers and flags other than the above are undefined at RAM back-up, and set an initial value after returning.

2: The stack pointer (SP) points the level of the stack register and is initialized to "1112" at RAM back-up.

3: The state of the timer is undefined.

4: Initialize the watchdog timer with the WRST instruction, and then execute the EPOF and POF instructions.

(4) Return signal

An external wakeup signal is used to return from the RAM back-up mode because the oscillation is stopped. Table 14 shows the return condition for each return source.

(5) Port P4 control registers

- Key-on wakeup control register K0
Register K0 controls the port P4 key-on wakeup function. Set the contents of this register through register A with the TK0A instruction. In addition, the TAK0 instruction can be used to transfer the contents of register K0 to register A.

- Pull-up control register PU0
Register PU0 controls the ON/OFF of the port P4 pull-up transistor. Set the contents of this register through register A with the TPU0A instruction. In addition, the TAPU0 instruction can be used to transfer the contents of register PU0 to register A.

Table 14 Return source and return condition

Return source		Return condition	Remarks
External wakeup signal	Ports P0, P1 and P4	Return by an external falling edge input ("H"→"L").	Port P0 shares the falling edge detection circuit with ports P1 and P4. Key-on wakeup functions of ports P0 and P1 are always valid. The key-on wakeup function valid/invalid of port P4 can be controlled with register K0. Set the port using the key-on wakeup function selected to "H" level before going into the RAM back-up mode.
	P2 ₁ /INT pin	Return by an external "H" level or "L" level input. The EXF0 flag is not set.	Select the return level ("L" level or "H" level) with the bit 2 of register I1 according to the external state before going into the RAM back-up mode.

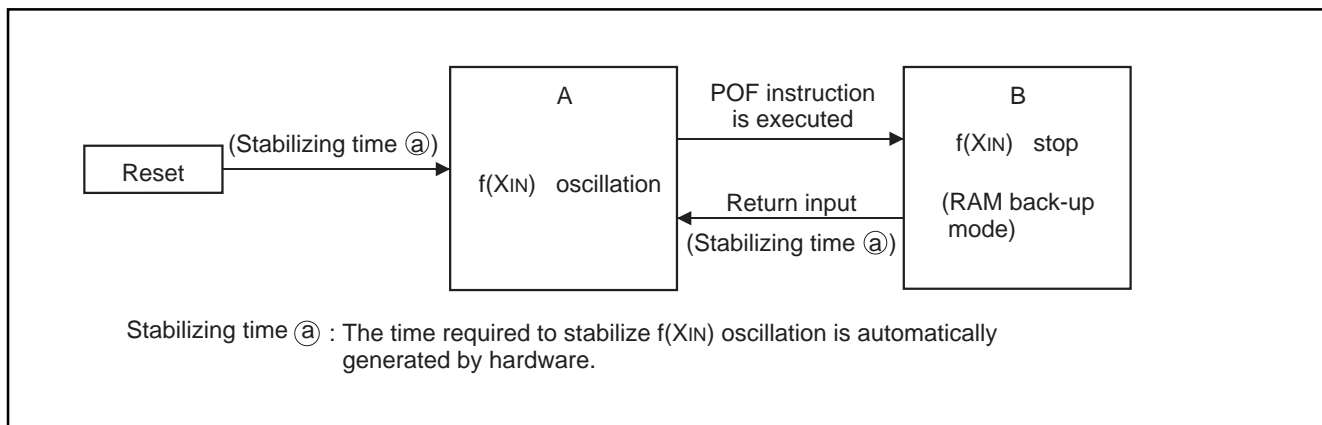


Fig. 29 State transition

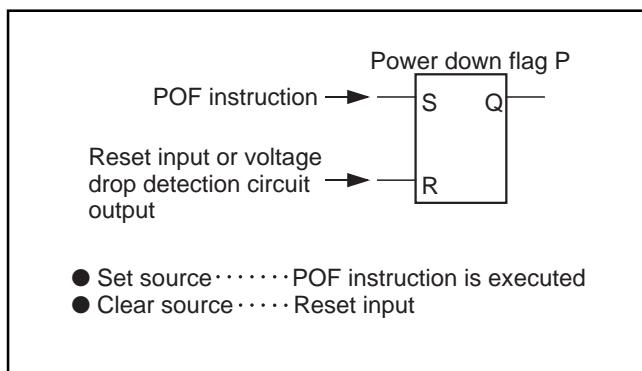


Fig. 30 Set source and clear source of the P flag

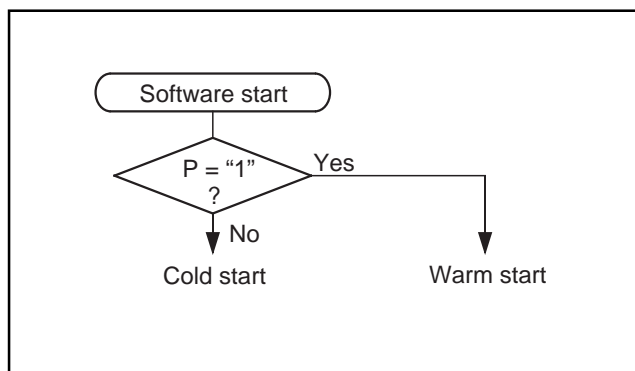


Fig. 31 Start condition identified example using the SNZP instruction

Table 15 Key-on wakeup control register and pull-up control register

Key-on wakeup control register K0		at reset : 0000 ₂		at RAM back-up : state retained		R/W
K0 ₃	Port P4 ₃ key-on wakeup control bit	0	Key-on wakeup not used			
		1	Key-on wakeup used			
K0 ₂	Port P4 ₂ key-on wakeup control bit	0	Key-on wakeup not used			
		1	Key-on wakeup used			
K0 ₁	Port P4 ₁ key-on wakeup control bit	0	Key-on wakeup not used			
		1	Key-on wakeup used			
K0 ₀	Port P4 ₀ key-on wakeup control bit	0	Key-on wakeup not used			
		1	Key-on wakeup used			

Pull-up control register PU0		at reset : 0000 ₂		at RAM back-up : state retained		R/W
PU0 ₃	Port P4 ₃ pull-up transistor control bit	0	Pull-up transistor OFF			
		1	Pull-up transistor ON			
PU0 ₂	Port P4 ₂ pull-up transistor control bit	0	Pull-up transistor OFF			
		1	Pull-up transistor ON			
PU0 ₁	Port P4 ₁ pull-up transistor control bit	0	Pull-up transistor OFF			
		1	Pull-up transistor ON			
PU0 ₀	Port P4 ₀ and P0 ₁ pull-up transistor control bit	0	Pull-up transistor OFF			
		1	Pull-up transistor ON			

Note: "R" represents read enabled, and "W" represents write enabled.

CLOCK CONTROL

The clock control circuit consists of the following circuits.

- Clock generating circuit
- Control circuit to stop the clock oscillation
- System clock selection circuit
- Instruction clock generating circuit
- Control circuit to return from the RAM back-up mode

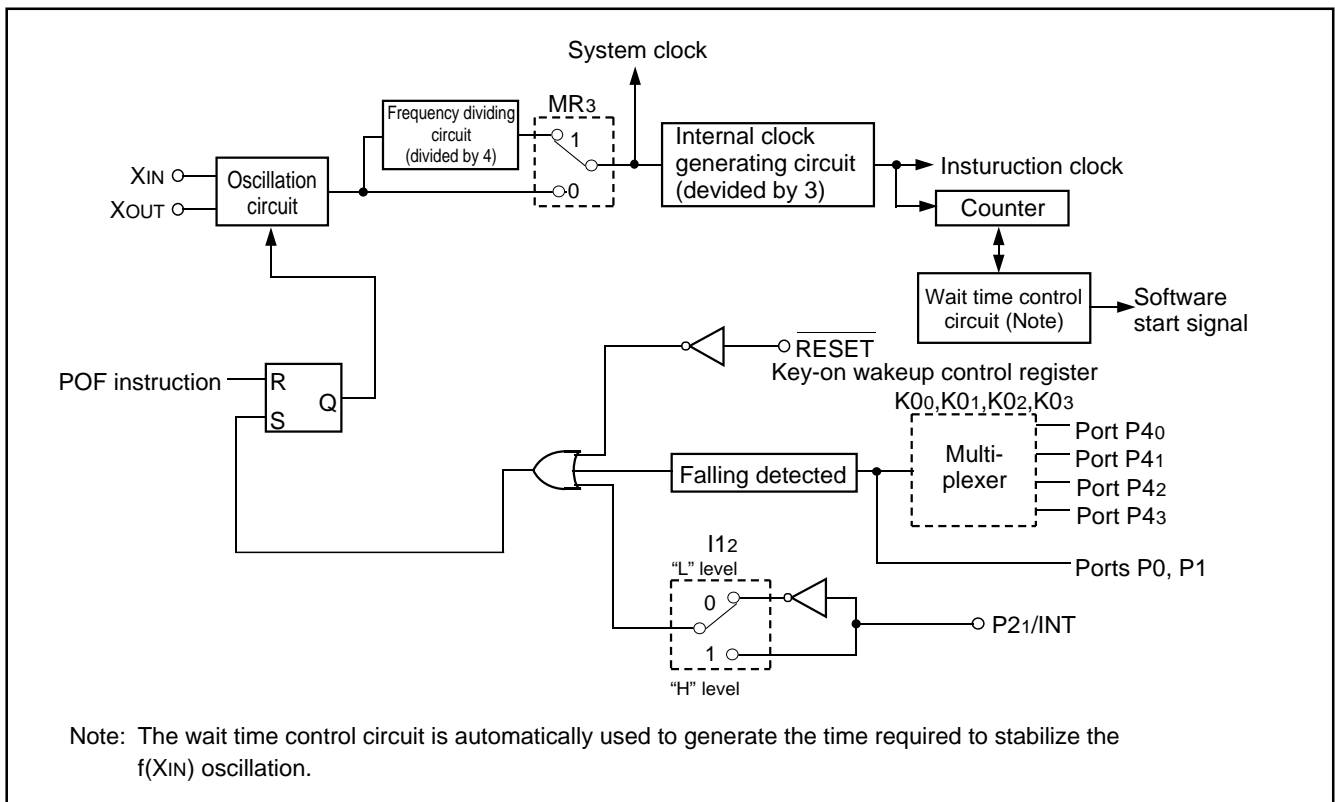


Fig. 32 Clock control circuit structure

Clock signal $f(X_{IN})$ is obtained by externally connecting a ceramic resonator. Connect this external circuit to pins X_{IN} and X_{OUT} at the shortest distance. A feedback resistor is built-in between pins X_{IN} and X_{OUT} .

ROM ORDERING METHOD

Please submit the information described below when ordering Mask ROM.

- (1) M34570M4-XXXXFP Mask ROM Order Confirmation Form, M34570M8-XXXXFP Mask ROM Order Confirmation Form, or M34570MD-XXXXFP Mask ROM Order Confirmation Form 1
- (2) Data to be written into mask ROM EPROM (three sets containing the identical data)
- (3) Mark Specification Form 1

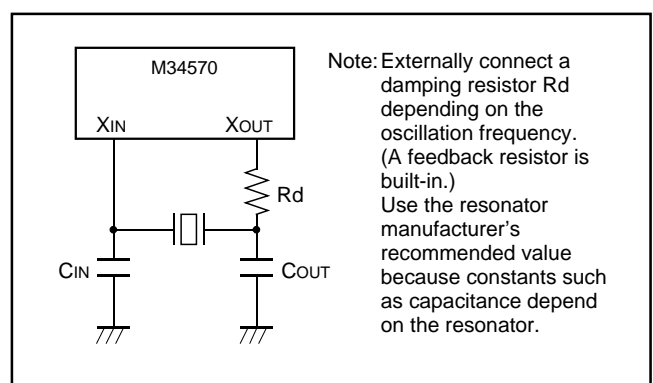


Fig. 33 Ceramic resonator external circuit

LIST OF PRECAUTIONS

① **Noise and latch-up prevention**

Connect a capacitor on the following condition to prevent noise and latch-up;

- connect a capacitor (approx. 0.1 μ F) between pins V_{DD} and V_{SS} at the shortest distance,
- equalize its wiring in width and length, and
- use the thickest wire.

In the One Time PROM version, CNV_{SS} pin is also used as V_{PP} pin. Accordingly, when using this pin, connect this pin to V_{SS} through a resistor about 5 k Ω (connect this resistor to CNV_{SS}/V_{PP} pin as close as possible).

② **Prescaler**

Stop the prescaler operation to change its frequency dividing ratio.

③ **Count source**

Stop timer 1, timer 2 or timer 3 counting to change its count source.

④ **Reading the timer count value**

Stop each of the timers and then execute the TAB1, TAB2 or TAB3 instruction to read timer 1, 2 or 3 data.

⑤ **Writing to reload register R1**

When writing the data to reload register R1 while timer 1 is operating, avoid a timing when timer 1 underflows.

⑥ **Writing to reload register R3H**

When writing the data to reload register R3H while timer 3 is operating, avoid a timing when timer 3 underflows.

⑦ **Notes on timer 3 operation start**

Set the timer 1 and register C2 before timer 3 is started to operate (W3₃="1").

⑧ **Notes on carrier wave output auto-control operation stop**

Stop the timer 1 (W1₀="0") after stopping the timer 3 (W3₃="0") while the carrier wave output is disabled in order to stop the carrier wave output auto-control operation.

⑨ **Notes on setting carrier wave output control register C2**

If the carrier wave output auto-control function is invalidated (C2₀="0") while the carrier wave output is auto-controlled, the output of port CARR retains the state when the auto-control is invalidated regardless of timer 1 underflow.

When the carrier wave output auto-control function is validated (C2₀="1") again after it is invalidated (C2₀="0"), the auto-control by timer 1 is validated again when the next timer 1 underflow occurs.

However, when the carrier wave output auto-control bit (C2₀) is changed during timer 1 underflow, the error-operation may occur.

⑩ **Notes on timer 1 count source**

When the carrier wave output auto-control function is selected, use the carrier wave CARRY as the timer 1 count source.

If the ORCLK is used as the count source, a short pulse may occur in port CARR output because ORCLK is not synchronized with the carrier wave.

⑪ **Notes on writing to reload register R1 when carrier wave output auto-control operation**

When the carrier wave output auto-control function is selected and data is set to reload register R1 while timer 1 is operating, avoid the timing that the contents of timer 1 becomes "0" to execute the T1AB instruction.

⑫ **One Time PROM version**

The operating power voltage of the One Time PROM version is within the range of 2.5 V to 5.5 V.

⑬ **Multifunction**

Note that the port D₉ output function and P2₁ input function can be used even when TOUT and INT pin function is selected.

⑭ **POF instruction**

Note that system cannot enter the RAM back-up state when executing only the POF instruction.

Execute the POF instruction immediately after executing the EPOF instruction to enter the RAM back-up.

Be sure to disable interrupts by executing the DI instruction before executing the EPOF instruction.

⑮ **Program counter**

Make sure that the PC_H does not specify after the last page of the built-in ROM.

⑯ **P2₁/INT pin**

When the interrupt valid waveform of P2₁/INT pin is changed with the bit 2 of register I1 in software, be careful about the following notes.

- Clear the bit 0 of register V1 to "0" and then change the interrupt valid waveform of P2₁/INT pin with the bit 2 of register I1 (refer to Figure 34①).
- Clear the bit 2 of register I1 to "0" and execute the SNZ0 instruction to clear the EXF0 flag after executing at least one instruction (refer to Figure 34②). Depending on the input state of the P2₁/INT pin, the external 0 interrupt request flag (EXF0) may be set to "1" when the interrupt valid waveform is changed.

:			
LA	4	;	(XXX0 ₂)
TV1A		;	The SNZ0 instruction is valid ①
LA	4		
T11A		;	Change of the interrupt valid waveform
NOP			②
SNZ0		;	The SNZ0 instruction is executed
NOP			
:		X :	this bit is not related to the setting of INT.

Fig. 34 External 0 interrupt program example

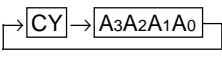
SYMBOL

The symbols shown below are used in the following list of instruction function and machine instructions.

Symbol	Contents	Symbol	Contents
A	Register A (4 bits)	WDF1	Watchdog timer flag 1
B	Register B (4 bits)	WDF2	Watchdog timer flag 2
DR	Register D (3 bits)	WEF	Watchdog timer enable flag
E	Register E (8 bits)	INTE	Interrupt enable flag
C2	Carrier wave output control register C2 (2 bits)	EXF0	External 0 interrupt request flag
SI	8-bit general-purpose register SI (8 bits)	P	Power down flag
V1	Interrupt control register V1 (4 bits)	D	Port D (10 bits)
V2	Interrupt control register V2 (4 bits)	P0	Port P0 (4 bits)
I1	Interrupt control register I1 (4 bits)	P1	Port P1 (4 bits)
W1	Timer control register W1 (4 bits)	P2	Port P2 (2 bits)
W2	Timer control register W2 (4 bits)	P3	Port P3 (4 bits)
W3	Timer control register W3 (4 bits)	P4	Port P4 (4 bits)
W5	Timer count value store register W5 (2 bits)	x	Hexadecimal variable
K0	Key-on wakeup control register K0 (4 bits)	y	Hexadecimal variable
PU0	Pull-up control register PU0 (4 bits)	z	Hexadecimal variable
MR	Clock control register MR (4 bits)	p	Hexadecimal variable
X	Register X (4 bits)	n	Hexadecimal constant which represents the immediate value
Y	Register Y (4 bits)	i	Hexadecimal constant which represents the immediate value
Z	Register Z (2 bits)	j	Hexadecimal constant which represents the immediate value
DP	Data pointer (10 bits) (It consists of registers X, Y, and Z)	A ₃ A ₂ A ₁ A ₀	Binary notation of hexadecimal variable A (same for others)
PC	Program counter (14 bits)	←	Direction of data movement
PC _H	High-order 7 bits of program counter	↔	Data exchange between a register and memory
PC _L	Low-order 7 bits of program counter	?	Decision of state shown before “?”
SK	Stack register (14 bits X 8)	()	Contents of registers and memories
SP	Stack pointer (3 bits)	—	Negate, Flag unchanged after executing instruction
CY	Carry flag	M(DP)	RAM address pointed by the data pointer
R1	Timer 1 reload register	a	Label indicating address a ₆ a ₅ a ₄ a ₃ a ₂ a ₁ a ₀
R2	Timer 2 reload register	p, a	Label indicating address a ₆ a ₅ a ₄ a ₃ a ₂ a ₁ a ₀ in page p ₅ p ₄ p ₃ p ₂ p ₁ p ₀
R3H	Timer 3 reload register	C	Hex. C + Hex. number x (also same for others)
R3L	Timer 3 reload register	+	
T1	Timer 1	x	
T2	Timer 2		
T3	Timer 3		
T1F	Timer 1 interrupt request flag		
T2F	Timer 2 interrupt request flag		
T3F	Timer 3 interrupt request flag		

Note : The 4570 Group just invalidates the next instruction when a skip is performed. The contents of program counter is not increased by 2. Accordingly, the number of cycles does not change even if skip is not performed. However, the cycle count becomes “1” if the TABP p, RT, or RTS instruction is skipped.

LIST OF INSTRUCTION FUNCTION

Grouping	Mnemonic	Function	Grouping	Mnemonic	Function	Grouping	Mnemonic	Function		
Register to register transfer	TAB	(A) ← (B)	RAM to register transfer	XAMI j	(A) ← → (M(DP)) (X) ← (X)EXOR(j) j = 0 to 15 (Y) ← (Y) + 1	Bit operation	SB j	(Mj(DP)) ← 1 j = 0 to 3		
	TBA	(B) ← (A)		TMA j	(M(DP)) ← (A) (X) ← (X)EXOR(j) j = 0 to 15		RB j	(Mj(DP)) ← 0 j = 0 to 3		
	TAY	(A) ← (Y)					SZB j	(Mj(DP)) = 0 ? j = 0 to 3		
	TYA	(Y) ← (A)		Arithmetic operation	LA n	(A) ← n n = 0 to 15	Comparison operation	SEAM	(A) = (M(DP)) ?	
	TEAB	(E7-E4) ← (B) (E3-E0) ← (A)			TABP p	(SP) ← (SP) + 1 (SK(SP)) ← (PC) (PCH) ← p (PCL) ← (DR2-DR0, A3-A0) (W5) ← (ROM(PC)) ^{9 to 8} (B) ← (ROM(PC)) ^{7 to 4} (A) ← (ROM(PC)) ^{3 to 0} (PC) ← (SK(SP)) (SP) ← (SP) - 1		SEA n	(A) = n ? n = 0 to 15	
	TABE	(B) ← (E7-E4) (A) ← (E3-E0)			Arithmetic operation	AM	(A) ← (A) + (M(DP))	Branch operation	B a	(PCL) ← a6-a0
	TDA	(DR2-DR0) ← (A2-A0)				AMC	(A) ← (A) + (M(DP)) + (CY) (CY) ← Carry		BL p, a	(PCH) ← p (PCL) ← a6-a0
	TAD	(A2-A0) ← (DR2-DR0) (A3) ← 0				A n	(A) ← (A) + n n = 0 to 15		BLA p	(PCH) ← p (PCL) ← (DR2-DR0, A3-A0)
	TAZ	(A1, A0) ← (Z1, Z0) (A3, A2) ← 0				AND	(A) ← (A)AND(M(DP))	Subroutine operation	BM a	(SP) ← (SP) + 1 (SK(SP)) ← (PC) (PCH) ← 2 (PCL) ← a6-a0
	TAX	(A) ← (X)				OR	(A) ← (A)OR(M(DP))		BML p, a	(SP) ← (SP) + 1 (SK(SP)) ← (PC) (PCH) ← p (PCL) ← a6-a0
TASP	(A2-A0) ← (SP2-SP0) (A3) ← 0	SC	(CY) ← 1			BMLA p	(SP) ← (SP) + 1 (SK(SP)) ← (PC) (PCH) ← p (PCL) ← (DR2-DR0, A3-A0)			
RAM addresses	LXY x, y	(X) ← x, x = 0 to 15 (Y) ← y, y = 0 to 15	RC			(CY) ← 0	Return operation	RTI	(PC) ← (SK(SP)) (SP) ← (SP) - 1	
	LZ z	(Z) ← z, z = 0 to 3	SZC			(CY) = 0 ?		RT	(PC) ← (SK(SP)) (SP) ← (SP) - 1	
	INY	(Y) ← (Y) + 1	CMA	(A) ← (A̅)		RTS		(PC) ← (SK(SP)) (SP) ← (SP) - 1		
	DEY	(Y) ← (Y) - 1	RAR							
RAM to register transfer	TAM j	(A) ← (M(DP)) (X) ← (X)EXOR(j) j = 0 to 15								
	XAM j	(A) ← → (M(DP)) (X) ← (X)EXOR(j) j = 0 to 15								
	XAMD j	(A) ← → (M(DP)) (X) ← (X)EXOR(j) j = 0 to 15 (Y) ← (Y) - 1								

LIST OF INSTRUCTION FUNCTION (CONTINUED)

Grouping	Mnemonic	Function	Grouping	Mnemonic	Function	Grouping	Mnemonic	Function
Interrupt operation	DI	(INTE) ← 0	Timer operation	TAW1	(A) ← (W1)	Timer operation	TAB3	(B) ← (T37-T34) (A) ← (T33-T30)
	EI	(INTE) ← 1		TW1A	(W1) ← (A)		T3AB	(R3L7-R3L4) ← (B) (T37-T34) ← (B) (R3L3-R3L0) ← (A) (T33-T30) ← (A)
	SNZ0	(EXF0) = 1 ? After skipping the next instruction, (EXF0) ← 0		TAW2	(A) ← (W2)		T3HAB	(R3H7-R3H4) ← (B) (R3H3-R3H0) ← (A)
	SNZI0	I12 = 1 : (INT0) = "H" ? I12 = 0 : (INT0) = "L" ?		TW2A	(W2) ← (A)		SNZT1	(T1F) = 1 ? After skipping the next instruction, (T1F) ← 0
	TAV1	(A) ← (V1)		TAW3	(A) ← (W3)		SNZT2	(T2F) = 1 ? After skipping the next instruction, (T2F) ← 0
	TV1A	(V1) ← (A)		TW3A	(W3) ← (A)		SNZT3	(T3F) = 1 ? After skipping the next instruction, (T3F) ← 0
	TAV2	(A) ← (V2)		TAW5	(A) ← (0, 0, W51, W50)			
	TV2A	(V2) ← (A)		TW5A	(W51, W50) ← (A1, A0)			
	TAI1	(A) ← (I1)		TAB1	(W5) ← (T19-T18) (B) ← (T17-T14) (A) ← (T13-T10)			
	TI1A	(I1) ← (A)		T1AB	at timer 1 stop (W10=0) (R19-R18) ← (W5) (T19-T18) ← (W5) (R17-R14) ← (B) (T17-T14) ← (B) (R13-R10) ← (A) (T13-T10) ← (A) At timer 1 operating (W10=1), (R19-R18) ← (W5) (R17-R14) ← (B) (R13-R10) ← (A)			
			TAB2	(B) ← (T27-T24) (A) ← (T23-T20)				
			T2AB	(R27-R24) ← (B) (T27-T24) ← (B) (R23-R20) ← (A) (T23-T20) ← (A)				
			TR2AB	(R27-R24) ← (B) (R23-R20) ← (A)				

LIST OF INSTRUCTION FUNCTION (CONTINUED)

Grouping	Mnemonic	Function	Grouping	Mnemonic	Function
Input/Output operation	IAP0	$(A) \leftarrow (P0)$	Other operation	NOP	$(PC) \leftarrow (PC) + 1$
	OP0A	$(P0) \leftarrow (A)$		POF	RAM back-up mode
	IAP1	$(A) \leftarrow (P1)$		EPOF	POF instruction valid
	OP1A	$(P1) \leftarrow (A)$		SNZP	$(P) = 1 ?$
	IAP2	$(A_1, A_0) \leftarrow (P_{21}, P_{20})$ $(A_3, A_2) \leftarrow (0)$		WRST	$(WDF1) \leftarrow 0, (WEF) \leftarrow 1$
	IAP3	$(A) \leftarrow (P3)$		TAMR	$(A) \leftarrow (MR_3-MR_0)$
	OP3A	$(P3) \leftarrow (A)$		TMRA	$(MR_3-MR_0) \leftarrow (A)$
	IAP4	$(A) \leftarrow (P4)$		TABSI	$(B) \leftarrow (SI_7-SI_4)$ $(A) \leftarrow (SI_3-SI_0)$
	CLD	$(D) \leftarrow 1$		TSIAB	$(SI_7-SI_4) \leftarrow (B)$ $(SI_3-SI_0) \leftarrow (A)$
	RD	$(D(Y)) \leftarrow 0$ $(Y) = 0 \text{ to } 9$		SBK	When executing the TABP p instruction, $p_6 \leftarrow 1$
	SD	$(D(Y)) \leftarrow 1$ $(Y) = 0 \text{ to } 9$		RBK	When executing the TABP p instruction, $p_6 \leftarrow 0$
	TK0A	$(K0) \leftarrow (A)$			
	TAK0	$(A) \leftarrow (K0)$			
	TPU0A	$(PU0) \leftarrow (A)$			
TAPU0	$(A) \leftarrow (PU0)$				
Carrier wave generating operation	TC2A	$(C_{21}, C_{20}) \leftarrow (A_1, A_0)$			

INSTRUCTION CODE TABLE

D3— D0	Hex. notation	D9—D4																010000		011000	
		000000	000001	000010	000011	000100	000101	000110	000111	001000	001001	001010	001011	001100	001101	001110	001111	010111	011111	10—17	18—1F
0000	0	NOP	BLA	SZB 0	BMLA	RBK	TASP	A 0	LA 0	TABP 0*	TABP 16*	TABP 32**	TABP 48**	BML	BML	BL	BL	BM	B		
0001	1	—	CLD	SZB 1	—	SBK	TAD	A 1	LA 1	TABP 1*	TABP 17*	TABP 33**	TABP 49**	BML	BML	BL	BL	BM	B		
0010	2	POF	—	SZB 2	—	—	TAX	A 2	LA 2	TABP 2*	TABP 18*	TABP 34**	TABP 50**	BML	BML	BL	BL	BM	B		
0011	3	SNZP	INY	SZB 3	—	—	TAZ	A 3	LA 3	TABP 3*	TABP 19*	TABP 35**	TABP 51**	BML	BML	BL	BL	BM	B		
0100	4	DI	RD	—	—	RT	TAV1	A 4	LA 4	TABP 4*	TABP 20*	TABP 36**	TABP 52**	BML	BML	BL	BL	BM	B		
0101	5	EI	SD	SEAn	—	RTS	TAV2	A 5	LA 5	TABP 5*	TABP 21*	TABP 37**	TABP 53**	BML	BML	BL	BL	BM	B		
0110	6	RC	—	SEAM	—	RTI	—	A 6	LA 6	TABP 6*	TABP 22*	TABP 38**	TABP 54**	BML	BML	BL	BL	BM	B		
0111	7	SC	DEY	—	—	—	—	A 7	LA 7	TABP 7*	TABP 23*	TABP 39**	TABP 55**	BML	BML	BL	BL	BM	B		
1000	8	—	AND	—	SNZ0	LZ 0	—	A 8	LA 8	TABP 8*	TABP 24*	TABP 40**	TABP 56**	BML	BML	BL	BL	BM	B		
1001	9	—	OR	TDA	—	LZ 1	—	A 9	LA 9	TABP 9*	TABP 25*	TABP 41**	TABP 57**	BML	BML	BL	BL	BM	B		
1010	A	AM	TEAB	TABE	SNZ10	LZ 2	—	A 10	LA 10	TABP 10*	TABP 26*	TABP 42**	TABP 58**	BML	BML	BL	BL	BM	B		
1011	B	AMC	—	—	—	LZ 3	EPOF	A 11	LA 11	TABP 11*	TABP 27*	TABP 43**	TABP 59**	BML	BML	BL	BL	BM	B		
1100	C	TYA	CMA	—	—	RB 0	SB 0	A 12	LA 12	TABP 12*	TABP 28*	TABP 44**	TABP 60**	BML	BML	BL	BL	BM	B		
1101	D	—	RAR	—	—	RB 1	SB 1	A 13	LA 13	TABP 13*	TABP 29*	TABP 45**	TABP 61**	BML	BML	BL	BL	BM	B		
1110	E	TBA	TAB	—	TV2A	RB 2	SB 2	A 14	LA 14	TABP 14*	TABP 30*	TABP 46**	TABP 62**	BML	BML	BL	BL	BM	B		
1111	F	—	TAY	SZC	TV1A	RB 3	SB 3	A 15	LA 15	TABP 15*	TABP 31*	TABP 47**	TABP 63**	BML	BML	BL	BL	BM	B		

The above table shows the relationship between machine language codes and machine language instructions. D₃—D₀ show the low-order 4 bits of the machine language code, and D₉—D₄ show the high-order 6 bits of the machine language code. The hexadecimal representation of the code is also provided. There are one-word instructions and two-word instructions, but only the first word of each instruction is shown. Do not use code marked "—."

** cannot be used at M34570M4.

For M34570M4/M8/E8, the SBK and RBK instructions cannot be used.

For M34570MD/ED, the pages which is referred with the TABP instruction (*, **) can be switched with the SBK and RBK instructions. After executing the SBK instruction, the pages which can be referred with the TABP instruction are 64 to 127. (ex. TABP 0 →TABP 64)

After executing the RBK instruction, the pages which can be referred with the TABP instruction are 0 to 63.

If the SBK instruction is not executed, the pages which can be referred with the TABP instruction are always 0 to 63.

The codes for the second word of a two-word instruction are described below.

The second word	
BL	1 p p a a a a a a a
BML	1 p p a a a a a a a
BLA	1 p p p 0 0 p p p p
BMLA	1 p p p 0 0 p p p p
SEA	0 0 0 1 1 1 n n n n
SZD	0 0 0 0 1 0 1 0 1 1

INSTRUCTION CODE TABLE (CONTINUED)

D3— D0	Hex. notation	D9—D4						D3—D0						D3—D0					
		100000	100001	100010	100011	100100	100101	100110	100111	101000	101001	101010	101011	101100	101101	101110	101111	110000	111111
0000	0	—	TW3A	OP0A	T1AB	—	—	IAP0	TAB1	SNZT1	—	WRST	TMA 0	TAM 0	XAM 0	XAMI 0	XAMD 0	LXY	
0001	1	—	—	OP1A	T2AB	—	—	IAP1	TAB2	SNZT2	—	—	TMA 1	TAM 1	XAM 1	XAMI 1	XAMD 1	LXY	
0010	2	—	TW5A	—	T3AB	—	TAMR	IAP2	TAB3	SNZT3	—	—	TMA 2	TAM 2	XAM 2	XAMI 2	XAMD 2	LXY	
0011	3	—	—	OP3A	—	—	TAI1	IAP3	—	—	—	—	TMA 3	TAM 3	XAM 3	XAMI 3	XAMD 3	LXY	
0100	4	—	—	—	—	—	—	IAP4	—	—	—	—	TMA 4	TAM 4	XAM 4	XAMI 4	XAMD 4	LXY	
0101	5	—	—	—	—	—	—	—	—	—	—	—	TMA 5	TAM 5	XAM 5	XAMI 5	XAMD 5	LXY	
0110	6	—	TMRA	—	—	—	TAK0	—	—	—	—	—	TMA 6	TAM 6	XAM 6	XAMI 6	XAMD 6	LXY	
0111	7	—	TI1A	—	—	—	TAPU0	—	—	—	—	—	TMA 7	TAM 7	XAM 7	XAMI 7	XAMD 7	LXY	
1000	8	—	—	—	TSIAB	—	—	—	TABSI	—	—	—	TMA 8	TAM 8	XAM 8	XAMI 8	XAMD 8	LXY	
1001	9	—	—	—	—	—	—	—	—	—	—	TC2A	TMA 9	TAM 9	XAM 9	XAMI 9	XAMD 9	LXY	
1010	A	—	—	—	TR2AB	—	—	—	—	—	—	—	TMA 10	TAM 10	XAM 10	XAMI 10	XAMD 10	LXY	
1011	B	—	TK0A	—	—	TAW1	—	—	—	—	—	—	TMA 11	TAM 11	XAM 11	XAMI 11	XAMD 11	LXY	
1100	C	—	—	—	—	TAW2	—	—	—	—	—	—	TMA 12	TAM 12	XAM 12	XAMI 12	XAMD 12	LXY	
1101	D	—	—	TPU0A	T3HAB	TAW3	—	—	—	—	—	—	TMA 13	TAM 13	XAM 13	XAMI 13	XAMD 13	LXY	
1110	E	TW1A	—	—	—	—	—	—	—	—	—	—	TMA 14	TAM 14	XAM 14	XAMI 14	XAMD 14	LXY	
1111	F	TW2A	—	—	—	TAW5	—	—	—	—	—	—	TMA 15	TAM 15	XAM 15	XAMI 15	XAMD 15	LXY	

The above table shows the relationship between machine language codes and machine language instructions. D 3—D0 show the low-order 4 bits of the machine language code, and D 9—D4 show the high-order 6 bits of the machine language code. The hexadecimal representation of the code is also provided. There are one-word instructions and two-word instructions, but only the first word of each instruction is shown. Do not use code marked “—.”

The codes for the second word of a two-word instruction are described below.

The second word	
BL	1 p p a a a a a a a
BML	1 p p a a a a a a a
BLA	1 p p p 0 0 p p p p
BMLA	1 p p p 0 0 p p p p
SEA	0 0 0 1 1 1 n n n n
SZD	0 0 0 0 1 0 1 0 1 1

MACHINE INSTRUCTIONS

Parameter Type of instructions	Mnemonic	Instruction code										Hexadecimal notation	Number of words	Number of cycles	Function
		D ₉	D ₈	D ₇	D ₆	D ₅	D ₄	D ₃	D ₂	D ₁	D ₀				
Register to register transfer	TAB	0	0	0	0	0	1	1	1	1	0	0 1 E	1	1	(A) ← (B)
	TBA	0	0	0	0	0	0	1	1	1	0	0 0 E	1	1	(B) ← (A)
	TAY	0	0	0	0	0	1	1	1	1	1	0 1 F	1	1	(A) ← (Y)
	TYA	0	0	0	0	0	0	1	1	0	0	0 0 C	1	1	(Y) ← (A)
	TEAB	0	0	0	0	0	1	1	0	1	0	0 1 A	1	1	(E ₇ –E ₄) ← (B) (E ₃ –E ₀) ← (A)
	TABE	0	0	0	0	1	0	1	0	1	0	0 2 A	1	1	(B) ← (E ₇ –E ₄) (A) ← (E ₃ –E ₀)
	TDA	0	0	0	0	1	0	1	0	0	1	0 2 9	1	1	(DR ₂ –DR ₀) ← (A ₂ –A ₀)
	TAD	0	0	0	1	0	1	0	0	0	1	0 5 1	1	1	(A ₂ –A ₀) ← (DR ₂ –DR ₀) (A ₃) ← 0
	TAZ	0	0	0	1	0	1	0	0	1	1	0 5 3	1	1	(A ₁ , A ₀) ← (Z ₁ , Z ₀) (A ₃ , A ₂) ← 0
	TAX	0	0	0	1	0	1	0	0	1	0	0 5 2	1	1	(A) ← (X)
TASP	0	0	0	1	0	1	0	0	0	0	0 5 0	1	1	(A ₂ –A ₀) ← (SP ₂ –SP ₀) (A ₃) ← 0	
RAM addresses	LXY x, y	1	1	x ₃	x ₂	x ₁	x ₀	y ₃	y ₂	y ₁	y ₀	3 x y	1	1	(X) ← x, x = 0 to 15 (Y) ← y, y = 0 to 15
	LZ z	0	0	0	1	0	0	1	0	z ₁	z ₀	0 4 8 +z	1	1	(Z) ← z, z = 0 to 3
	INY	0	0	0	0	0	1	0	0	1	1	0 1 3	1	1	(Y) ← (Y) + 1
	DEY	0	0	0	0	0	1	0	1	1	1	0 1 7	1	1	(Y) ← (Y) – 1

Skip condition	Carry flag CY	Detailed description
–	–	Transfers the contents of register B to register A.
–	–	Transfers the contents of register A to register B.
–	–	Transfers the contents of register Y to register A.
–	–	Transfers the contents of register A to register Y.
–	–	Transfers the contents of registers A and B to register E.
–	–	Transfers the contents of register E to registers A and B.
–	–	Transfers the contents of register A to register D.
–	–	Transfers the contents of register D to register A.
–	–	Transfers the contents of register Z to register A.
–	–	Transfers the contents of register X to register A.
–	–	Transfers the contents of stack pointer (SP) to register A.
Continuous description	–	Loads the value x in the immediate field to register X, and the value y in the immediate field to register Y. When the LXY instructions are continuously coded and executed, only the first LXY instruction is executed and other LXY instructions coded continuously are skipped.
–	–	Loads the value z in the immediate field to register Z.
(Y) = 0	–	Adds 1 to the contents of register Y. As a result of addition, when the contents of register Y is 0, the next instruction is skipped.
(Y) = 15	–	Subtracts 1 from the contents of register Y. As a result of subtraction, when the contents of register Y is 15, the next instruction is skipped.

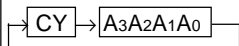
MACHINE INSTRUCTIONS (CONTINUED)

Parameter Type of instructions	Mnemonic	Instruction code										Hexadecimal notation	Number of words	Number of cycles	Function
		D ₉	D ₈	D ₇	D ₆	D ₅	D ₄	D ₃	D ₂	D ₁	D ₀				
RAM to register transfer	TAM j	1	0	1	1	0	0	j	j	j	j	2 C j	1	1	(A) ← (M(DP)) (X) ← (X)EXOR(j) j = 0 to 15
	XAM j	1	0	1	1	0	1	j	j	j	j	2 D j	1	1	(A) ← → (M(DP)) (X) ← (X)EXOR(j) j = 0 to 15
	XAMD j	1	0	1	1	1	1	j	j	j	j	2 F j	1	1	(A) ← → (M(DP)) (X) ← (X)EXOR(j) j = 0 to 15 (Y) ← (Y) - 1
	XAMI j	1	0	1	1	1	0	j	j	j	j	2 E j	1	1	(A) ← → (M(DP)) (X) ← (X)EXOR(j) j = 0 to 15 (Y) ← (Y) + 1
	TMA j	1	0	1	0	1	1	j	j	j	j	2 B j	1	1	(M(DP)) ← (A) (X) ← (X)EXOR(j) j = 0 to 15
Arithmetic operation	LA n	0	0	0	1	1	1	n	n	n	n	0 7 n	1	1	(A) ← n n = 0 to 15
	TABP p	0	0	1	0	p ₅	p ₄	p ₃	p ₂	p ₁	p ₀	0 8 p +p	1	3	(SP) ← (SP) + 1 (SK(SP)) ← (PC) (PC _H) ← p (PC _L) ← (DR ₂ -DR ₀ , A ₃ -A ₀) (W5) ← (ROM(PC)) _{9 to 8} (B) ← (ROM(PC)) _{7 to 4} (A) ← (ROM(PC)) _{3 to 0} (PC) ← (SK(SP)) (SP) ← (SP) - 1 (Note)

Note: p is 0 to 31 for M34570M4 and p is 0 to 63 for M34570E8 and M34570M8.
p is 0 to 127 for M34570ED and M34570MD, and ps is specified with the SBK and RBK instructions.

Skip condition	Carry flag CY	Detailed description
-	-	After transferring the contents of M(DP) to register A, an exclusive OR operation is performed between register X and the value j in the immediate field, and stores the result in register X.
-	-	After exchanging the contents of M(DP) with the contents of register A, an exclusive OR operation is performed between register X and the value j in the immediate field, and stores the result in register X.
(Y) = 15	-	After exchanging the contents of M(DP) with the contents of register A, an exclusive OR operation is performed between register X and the value j in the immediate field, and stores the result in register X. Subtracts 1 from the contents of register Y. As a result of subtraction, when the contents of register Y is 15, the next instruction is skipped.
(Y) = 0	-	After exchanging the contents of M(DP) with the contents of register A, an exclusive OR operation is performed between register X and the value j in the immediate field, and stores the result in register X. Adds 1 to the contents of register Y. As a result of addition, when the contents of register Y is 0, the next instruction is skipped.
-	-	After transferring the contents of register A to M(DP), an exclusive OR operation is performed between register X and the value j in the immediate field, and stores the result in register X.
Continuous description	-	Loads the value n in the immediate field to register A. When the LA instructions are continuously coded and executed, only the first LA instruction is executed and other LA instructions coded continuously are skipped.
-	-	Transfers bits 9 and 8 to register W5, bits 7 to 4 to register B and bits 3 to 0 to register A. These bits 9 to 0 are the ROM pattern in address (DR ₂ DR ₁ DR ₀ A ₃ A ₂ A ₁ A ₀) ₂ specified by registers A and D in page p. When this instruction is executed, 1 stage of stack register is used. When this instruction is executed after executing the SBK instruction, pages 64 to 127 are specified. When this instruction is executed after executing the RBK instruction, pages 0 to 63 are specified. When this instruction is executed after system is released from reset or returned from RAM back-up, pages 0 to 63 are specified.

MACHINE INSTRUCTIONS (CONTINUED)

Parameter Type of instructions	Mnemonic	Instruction code										Hexadecimal notation	Number of words	Number of cycles	Function
		D ₉	D ₈	D ₇	D ₆	D ₅	D ₄	D ₃	D ₂	D ₁	D ₀				
Arithmetic operation	AM	0	0	0	0	0	0	1	0	1	0	0 0 A	1	1	(A) ← (A) + (M(DP))
	AMC	0	0	0	0	0	0	1	0	1	1	0 0 B	1	1	(A) ← (A) + (M(DP)) + (CY) (CY) ← Carry
	A n	0	0	0	1	1	0	n	n	n	n	0 6 n	1	1	(A) ← (A) + n n = 0 to 15
	AND	0	0	0	0	0	1	1	0	0	0	0 1 8	1	1	(A) ← (A) AND (M(DP))
	OR	0	0	0	0	0	1	1	0	0	1	0 1 9	1	1	(A) ← (A) OR (M(DP))
	SC	0	0	0	0	0	0	0	1	1	1	0 0 7	1	1	(CY) ← 1
	RC	0	0	0	0	0	0	0	1	1	0	0 0 6	1	1	(CY) ← 0
	SZC	0	0	0	0	1	0	1	1	1	1	0 2 F	1	1	(CY) = 0 ?
	CMA	0	0	0	0	0	1	1	1	0	0	0 1 C	1	1	(A) ← \bar{A}
	RAR	0	0	0	0	0	1	1	1	0	1	0 1 D	1	1	
Bit operation	SB j	0	0	0	1	0	1	1	1	j	j	0 5 C +j	1	1	(M _j (DP)) ← 1 j = 0 to 3
	RB j	0	0	0	1	0	0	1	1	j	j	0 4 C +j	1	1	(M _j (DP)) ← 0 j = 0 to 3
	SZB j	0	0	0	0	1	0	0	0	j	j	0 2 j	1	1	(M _j (DP)) = 0 ? j = 0 to 3
Comparison operation	SEAM	0	0	0	0	1	0	0	1	1	0	0 2 6	1	1	(A) = (M(DP)) ?
	SEA n	0	0	0	0	1	0	0	1	0	1	0 2 5	2	2	(A) = n ? n = 0 to 15
		0	0	0	1	1	1	n	n	n	n	0 7 n			

Skip condition	Carry flag CY	Detailed description
-	-	Adds the contents of M(DP) to register A. Stores the result in register A. The contents of carry flag CY remains unchanged.
-	0/1	Adds the contents of M(DP) and carry flag CY to register A. Stores the result in register A and carry flag CY.
Overflow = 0	-	Adds the value n in the immediate field to register A. The contents of carry flag CY remains unchanged. Skips the next instruction when there is no overflow as the result of operation.
-	-	Performs the AND operation between the contents of register A and the contents of M(DP), and stores the result in register A.
-	-	Performs the OR operation between the contents of register A and the contents of M(DP), and stores the result in register A.
-	1	Sets carry flag CY to "1."
-	0	Clears carry flag CY to "0."
(CY) = 0	-	Skips the next instruction when the contents of carry flag CY is "0."
-	-	Stores the one's complement for register A's contents in register A.
-	0/1	Rotates the contents of register A including the contents of carry flag CY to the right by 1 bit.
-	-	Sets the contents of bit j (bit specified by the value j in the immediate field) of M(DP) to "1."
-	-	Clears the contents of bit j (bit specified by the value j in the immediate field) of M(DP) to "0."
(M _j (DP)) = 0 j = 0 to 3	-	Skips the next instruction when the contents of bit j (bit specified by the value j in the immediate field) of M(DP) is "0."
(A) = (M(DP))	-	Skips the next instruction when the contents of register A is equal to the contents of M(DP).
(A) = n	-	Skips the next instruction when the contents of register A is equal to the value n in the immediate field.

MACHINE INSTRUCTIONS (CONTINUED)

Parameter Type of instructions	Mnemonic	Instruction code										Hexadecimal notation	Number of words	Number of cycles	Function
		D ₉	D ₈	D ₇	D ₆	D ₅	D ₄	D ₃	D ₂	D ₁	D ₀				
Branch operation	B a	0	1	1	a ₆	a ₅	a ₄	a ₃	a ₂	a ₁	a ₀	1 8 a +a	1	1	(PC _L) ← a ₆ -a ₀
	BL p, a	0	0	1	1	1	p ₄	p ₃	p ₂	p ₁	p ₀	0 E p +p	2	2	(PC _H) ← p (PC _L) ← a ₆ -a ₀ (Note)
		1	0	p ₅	a ₆	a ₅	a ₄	a ₃	a ₂	a ₁	a ₀	2 p a +a			
	BLA p	0	0	0	0	0	1	0	0	0	0	0 1 0	2	2	(PC _H) ← p (PC _L) ← (DR ₂ -DR ₀ , A ₃ -A ₀) (Note)
1		0	p ₅	p ₄	0	0	p ₃	p ₂	p ₁	p ₀	2 p p				
Subroutine operation	BM a	0	1	0	a ₆	a ₅	a ₄	a ₃	a ₂	a ₁	a ₀	1 a a	1	1	(SP) ← (SP) + 1 (SK(SP)) ← (PC) (PC _H) ← 2 (PC _L) ← a ₆ -a ₀
	BML p, a	0	0	1	1	0	p ₄	p ₃	p ₂	p ₁	p ₀	0 C p +p	2	2	(SP) ← (SP) + 1 (SK(SP)) ← (PC) (PC _H) ← p (PC _L) ← a ₆ -a ₀ (Note)
		1	0	p ₅	a ₆	a ₅	a ₄	a ₃	a ₂	a ₁	a ₀	2 p a +a			
	BMLA p	0	0	0	0	1	1	0	0	0	0	0 3 0	2	2	(SP) ← (SP) + 1 (SK(SP)) ← (PC) (PC _H) ← p (PC _L) ← (DR ₂ -DR ₀ , A ₃ -A ₀) (Note)
1		0	p ₅	p ₄	0	0	p ₃	p ₂	p ₁	p ₀	2 p p				
Return operation	RTI	0	0	0	1	0	0	0	1	1	0	0 4 6	1	1	(PC) ← (SK(SP)) (SP) ← (SP) - 1
	RT	0	0	0	1	0	0	0	1	0	0	0 4 4	1	2	(PC) ← (SK(SP)) (SP) ← (SP) - 1
	RTS	0	0	0	1	0	0	0	1	0	1	0 4 5	1	2	(PC) ← (SK(SP)) (SP) ← (SP) - 1

Note: p is 0 to 31 for M34570M4 and p is 0 to 63 for M34570E8 and M34570M8.
p is 0 to 127 for M34570ED and M34570MD, and p₅ is specified with the SBK and RBK instructions.

Skip condition	Carry flag CY	Detailed description
-	-	Branch within a page : Branches to address a in the identical page.
-	-	Branch out of a page : Branches to address a in page p.
-	-	Branch out of a page : Branches to address (DR ₂ DR ₁ DR ₀ A ₃ A ₂ A ₁ A ₀) ₂ specified by registers D and A in page p.
-	-	Call the subroutine in page 2 : Calls the subroutine at address a in page 2.
-	-	Call the subroutine : Calls the subroutine at address a in page p.
-	-	Call the subroutine : Calls the subroutine at address (DR ₂ DR ₁ DR ₀ A ₃ A ₂ A ₁ A ₀) ₂ specified by registers D and A in page p.
-	-	Returns from interrupt service routine to main routine. Returns each value of data pointer (X, Y, Z), carry flag, skip status, NOP mode status by the continuous description of the LA/LXY instruction, register A and register B to the states just before interrupt.
-	-	Returns from subroutine to the routine called the subroutine.
Skip unconditionally	-	Returns from subroutine to the routine called the subroutine, and skips the next instruction unconditionally.

MACHINE INSTRUCTIONS (CONTINUED)

Parameter Type of instructions	Mnemonic	Instruction code										Hexadecimal notation	Number of words	Number of cycles	Function
		D ₉	D ₈	D ₇	D ₆	D ₅	D ₄	D ₃	D ₂	D ₁	D ₀				
Interrupt operation	DI	0	0	0	0	0	0	0	1	0	0	0 0 4	1	1	(INTE) ← 0
	EI	0	0	0	0	0	0	0	1	0	1	0 0 5	1	1	(INTE) ← 1
	SNZ0	0	0	0	0	1	1	1	0	0	0	0 3 8	1	1	(EXF0) = 1 ? After skipping the next instruction, (EXF0) ← 0
	SNZI0	0	0	0	0	1	1	1	0	1	0	0 3 A	1	1	I1 ₂ = 1 : (INT) = "H" ? I1 ₂ = 0 : (INT) = "L" ?
	TAV1	0	0	0	1	0	1	0	1	0	0	0 5 4	1	1	(A) ← (V1)
	TV1A	0	0	0	0	1	1	1	1	1	1	0 3 F	1	1	(V1) ← (A)
	TAV2	0	0	0	1	0	1	0	1	0	1	0 5 5	1	1	(A) ← (V2)
	TV2A	0	0	0	0	1	1	1	1	1	0	0 3 E	1	1	(V2) ← (A)
	TAI1	1	0	0	1	0	1	0	0	1	1	2 5 3	1	1	(A) ← (I1)
	TI1A	1	0	0	0	0	1	0	1	1	1	2 1 7	1	1	(I1) ← (A)
Timer operation	TAW1	1	0	0	1	0	0	1	0	1	1	2 4 B	1	1	(A) ← (W1)
	TW1A	1	0	0	0	0	0	1	1	1	0	2 0 E	1	1	(W1) ← (A)
	TAW2	1	0	0	1	0	0	1	1	0	0	2 4 C	1	1	(A) ← (W2)
	TW2A	1	0	0	0	0	0	1	1	1	1	2 0 F	1	1	(W2) ← (A)
	TAW3	1	0	0	1	0	0	1	1	0	1	2 4 D	1	1	(A) ← (W3)
	TW3A	1	0	0	0	0	1	0	0	0	0	2 1 0	1	1	(W3) ← (A)
	TAW5	1	0	0	1	0	0	1	1	1	1	2 4 F	1	1	(A) ← (0, 0, W5 ₁ , W5 ₀)
	TW5A	1	0	0	0	0	1	0	0	1	0	2 1 2	1	1	(W5 ₁ , W5 ₀) ← (A ₁ , A ₀)

Skip condition	Carry flag CY	Detailed description
-	-	Clears the interrupt enable flag INTE to "0," and disables the interrupt.
-	-	Sets the interrupt enable flag INTE to "1," and enables the interrupt.
(EXF0) = 1	-	Skips the next instruction when the contents of EXF0 flag is "1." After skipping, clears the EXF0 flag to "0."
(INT) = "H" However, I1 ₂ = 1	-	When bit 2 (I1 ₂) of register I1 is "1" : Skips the next instruction when the level of INT pin is "H."
(INT) = "L" However, I1 ₂ = 0	-	When bit 2 (I1 ₂) of register I1 is "0" : Skips the next instruction when the level of INT pin is "L."
-	-	Transfers the contents of interrupt control register V1 to register A.
-	-	Transfers the contents of register A to interrupt control register V1.
-	-	Transfers the contents of interrupt control register V2 to register A.
-	-	Transfers the contents of register A to interrupt control register V2.
-	-	Transfers the contents of interrupt control register I1 to register A.
-	-	Transfers the contents of register A to interrupt control register I1.
-	-	Transfers the contents of timer control register W1 to register A.
-	-	Transfers the contents of register A to timer control register W1.
-	-	Transfers the contents of timer control register W2 to register A.
-	-	Transfers the contents of register A to timer control register W2.
-	-	Transfers the contents of timer control register W3 to register A.
-	-	Transfers the contents of register A to timer control register W3.
-	-	Transfers the contents of timer count value store register W5 to the low-order 2 bits of register A. The contents of the high-order 2 bits of register A is set to "0."
-	-	Transfers the contents of the low-order 2 bits of register A to timer count value store register W5.

MACHINE INSTRUCTIONS (CONTINUED)

Parameter Type of instructions	Mnemonic	Instruction code										Hexadecimal notation	Number of words	Number of cycles	Function
		D9	D8	D7	D6	D5	D4	D3	D2	D1	D0				
Timer operation	TAB1	1	0	0	1	1	1	0	0	0	0	2 7 0	1	1	(W5) ← (T19, T18) (B) ← (T17-T14) (A) ← (T13-T10)
	T1AB	1	0	0	0	1	1	0	0	0	0	2 3 0	1	1	At timer 1 stop (W10=0), (R19, R18) ← (W5) (T19, T18) ← (W5) (R17-R14) ← (B) (T17-T14) ← (B) (R13-R10) ← (A) (T13-T10) ← (A) At timer 1 operating (W10=1), (R19, R18) ← (W5) (R17-R14) ← (B) (R13-R10) ← (A)
	TAB2	1	0	0	1	1	1	0	0	0	1	2 7 1	1	1	(B) ← (T27-T24) (A) ← (T23-T20)
	T2AB	1	0	0	0	1	1	0	0	0	1	2 3 1	1	1	(R27-R24) ← (B) (T27-T24) ← (B) (R23-R20) ← (A) (T23-T20) ← (A)
	TR2AB	1	0	0	0	1	1	1	0	1	0	2 3 A	1	1	(R27-R24) ← (B) (R23-R20) ← (A)
	TAB3	1	0	0	1	1	1	0	0	1	0	2 7 2	1	1	(B) ← (T37-T34) (A) ← (T33-T30)
	T3AB	1	0	0	0	1	1	0	0	1	0	2 3 2	1	1	(R3L7-R3L4) ← (B) (T37-T34) ← (B) (R3L3-R3L0) ← (A) (T33-T30) ← (A)
T3HAB	1	0	0	0	1	1	1	1	0	1	2 3 D	1	1	(R3H7-R3H4) ← (B) (R3H3-R3H0) ← (A)	

Skip condition	Carry flag CY	Detailed description
-	-	Transfers the contents of the high-order 2 bits of timer 1 to register W5, and transfers the contents of the low-order 8 bits of timer 1 to registers A and B.
-	-	When stopping (W10=0), transfers the contents of register W5 to the contents of the high-order 2 bits of timer 1 and of the timer 1 reload register, and transfers the contents of registers A and B to the contents of the low-order 8 bits of timer 1 and of the timer 1 reload register. When operating (W10=1), transfers the contents of register W5 to the contents of the high-order 2 bits of the timer 1 reload register, and transfers the contents of registers A and B to the contents of the low-order 8 bits of the timer 1 reload register.
-	-	Transfers the contents of timer 2 to registers A and B.
-	-	Transfers the contents of registers A and B to timer 2 and timer 2 reload register.
-	-	Transfers the contents of registers A and B to timer 2 reload register.
-	-	Transfers the contents of timer 3 to registers A and B.
-	-	Transfers the contents of registers A and B to timer 3 and timer 3 reload register R3L.
-	-	Transfers the contents of registers A and B to timer 3 reload register R3H.

MACHINE INSTRUCTIONS (CONTINUED)

Parameter Type of instructions	Mnemonic	Instruction code										Hexadecimal notation	Number of words	Number of cycles	Function
		D ₉	D ₈	D ₇	D ₆	D ₅	D ₄	D ₃	D ₂	D ₁	D ₀				
Timer operation	SNZT1	1	0	1	0	0	0	0	0	0	0	2 8 0	1	1	(T1F) = 1 ? After skipping the next instruction (T1F) ← 0
	SNZT2	1	0	1	0	0	0	0	0	0	1	2 8 1	1	1	(T2F) = 1 ? After skipping the next instruction (T2F) ← 0
	SNZT3	1	0	1	0	0	0	0	0	1	0	2 8 2	1	1	(T3F) = 1 ? After skipping the next instruction (T3F) ← 0
Input/Output operation	IAP0	1	0	0	1	1	0	0	0	0	0	2 6 0	1	1	(A) ← (P0)
	OP0A	1	0	0	0	1	0	0	0	0	0	2 2 0	1	1	(P0) ← (A)
	IAP1	1	0	0	1	1	0	0	0	0	1	2 6 1	1	1	(A) ← (P1)
	OP1A	1	0	0	0	1	0	0	0	0	1	2 2 1	1	1	(P1) ← (A)
	IAP2	1	0	0	1	1	0	0	0	1	0	2 6 2	1	1	(A ₁ , A ₀) ← (P ₂₁ , P ₂₀) (A ₃ , A ₂) ← 0
	IAP3	1	0	0	1	1	0	0	0	1	1	2 6 3	1	1	(A) ← (P3)
	OP3A	1	0	0	0	1	0	0	0	1	1	2 2 3	1	1	(P3) ← (A)
	IAP4	1	0	0	1	1	0	0	1	0	0	2 6 4	1	1	(A) ← (P4)
	CLD	0	0	0	0	0	1	0	0	0	1	0 1 1	1	1	(D) ← 1
	RD	0	0	0	0	0	1	0	1	0	0	0 1 4	1	1	(D(Y)) ← 0 (Y) = 0 to 9
	SD	0	0	0	0	0	1	0	1	0	1	0 1 5	1	1	(D(Y)) ← 1 (Y) = 0 to 9
	TK0A	1	0	0	0	0	1	1	0	1	1	2 1 B	1	1	(K0) ← (A)
	TAK0	1	0	0	1	0	1	0	1	1	0	2 5 6	1	1	(A) ← (K0)
	TPU0A	1	0	0	0	1	0	1	1	0	1	2 2 D	1	1	(PU0) ← (A)
TAPU0	1	0	0	1	0	1	0	1	1	1	2 5 7	1	1	(A) ← (PU0)	

Skip condition	Carry flag CY	Detailed description
(T1F) = 1	-	Skips the next instruction when the contents of T1F flag is "1." After skipping, clears T1F flag.
(T2F) = 1	-	Skips the next instruction when the contents of T2F flag is "1." After skipping, clears T2F flag.
(T3F) = 1	-	Skips the next instruction when the contents of T3F flag is "1." After skipping, clears T3F flag.
-	-	Transfers the input of port P0 to register A.
-	-	Outputs the contents of register A to port P0.
-	-	Transfers the input of port P1 to register A.
-	-	Outputs the contents of register A to port P1.
-	-	Transfers the input of port P2 to register A.
-	-	Transfers the input of port P3 to register A.
-	-	Outputs the contents of register A to port P3.
-	-	Transfers the input of port P4 to register A.
-	-	Sets port D to "1."
-	-	Clears a bit of port D specified by register Y to "0."
-	-	Sets a bit of port D specified by register Y to "1."
-	-	Transfers the contents of register A to key-on wakeup control register K0.
-	-	Transfers the contents of key-on wakeup control register K0 to register A.
-	-	Transfers the contents of register A to pull-up control register PU0.
-	-	Transfers the contents of pull-up control register PU0 to register A.

Parameter Type of instructions	Mnemonic	Instruction code										Hexadecimal notation	Number of words	Number of cycles	Function
		D9	D8	D7	D6	D5	D4	D3	D2	D1	D0				
Carrier generating circuit operation	TC2A	1	0	1	0	1	0	1	0	0	1	2 A 9	1	1	(C21, C20) ← (A1, A0)
Other operation	NOP	0	0	0	0	0	0	0	0	0	0	0 0 0	1	1	(PC) ← (PC) + 1
	POF	0	0	0	0	0	0	0	0	1	0	0 0 2	1	1	Transition to RAM back-up mode
	EPOF	0	0	0	1	0	1	1	0	1	1	0 5 B	1	1	POF instruction valid
	SNZP	0	0	0	0	0	0	0	0	1	1	0 0 3	1	1	(P) = 1 ?
	WRST	1	0	1	0	1	0	0	0	0	0	2 A 0	1	1	(WDF1) ← 0, (WEF) ← 1
	TABSI	1	0	0	1	1	1	1	0	0	0	2 7 8	1	1	(B) ← (SI7-SI4) (A) ← (SI3-SI0)
	TSIAB	1	0	0	0	1	1	1	0	0	0	2 3 8	1	1	(SI7-SI4) ← (B) (SI3-SI0) ← (A)
	TAMR	1	0	0	1	0	1	0	0	1	0	2 5 2	1	1	(A) ← (MR3-MR0)
	TMRA	1	0	0	0	0	1	0	1	1	0	2 1 6	1	1	(MR3-MR0) ← (A)
	SBK	0	0	0	1	0	0	0	0	0	1	0 4 1	1	1	When executing the TABP p instruction, p6 ← 1
	RBK	0	0	0	1	0	0	0	0	0	0	0 4 0	1	1	When executing the TABP p instruction, p6 ← 0

Skip condition	Carry flag CY	Detailed description
-	-	Transfers the contents of register A to carrier wave output control register C2.
-	-	No operation
-	-	Puts the system in RAM back-up mode state by executing the POF instruction after executing the EPOF instruction.
-	-	Validates the POF instruction which is executed after the EPOF instruction by executing the EPOF instruction.
(P) = 1	-	Skips the next instruction when P flag is "1." After skipping, P flag remains unchanged.
-	-	Operates the watchdog timer and initializes the watchdog timer flag (WDF1).
-	-	Transfers the contents of general-purpose register SI to registers A and B.
-	-	Transfers the contents of registers A and B to general-purpose register SI.
-	-	Transfers the contents of clock control register MR to register A.
-	-	Transfers the contents of register A to clock control register MR.
-	-	Data area which is referred when executing the TABP p instruction is set to pages 64 to 127. This setting is valid only for the TABP p instruction.
-	-	Data area which is referred when executing the TABP p instruction is set to pages 0 to 63. This setting is valid only for the TABP p instruction. If the SBK instruction is not executed, p6 when executing the TABP p instruction is "0."

CONTROL REGISTERS

Interrupt control register V1		at reset : 0000 ₂	RAM back-up : 0000 ₂	R/W
V1 ₃	Timer 2 interrupt enable bit	0	Interrupt disabled (SNZT2 instruction is valid)	
		1	Interrupt enabled (SNZT2 instruction is invalid)	
V1 ₂	Timer 1 interrupt enable bit	0	Interrupt disabled (SNZT1 instruction is valid)	
		1	Interrupt enabled (SNZT1 instruction is invalid)	
V1 ₁	Not used	0	This bit has no function, but read/write is enabled.	
		1		
V1 ₀	External 0 interrupt enable bit	0	Interrupt disabled (SNZ0 instruction is valid)	
		1	Interrupt enabled (SNZ0 instruction is invalid)	

Interrupt control register V2		at reset : 0000 ₂	at RAM back-up : 0000 ₂	R/W
V2 ₃	Not used	0	This bit has no function, but read/write is enabled.	
		1		
V2 ₂	Not used	0	This bit has no function, but read/write is enabled.	
		1		
V2 ₁	Not used	0	This bit has no function, but read/write is enabled.	
		1		
V2 ₀	Timer 3 interrupt enable bit	0	Interrupt disabled (SNZT3 instruction is valid)	
		1	Interrupt enabled (SNZT3 instruction is invalid)	

Interrupt control register I1		at reset : 0000 ₂	at RAM back-up : state retained	R/W
I1 ₃	Not used	0	This bit has no function, but read/write is enabled.	
		1		
I1 ₂	Interrupt valid waveform for INT pin /return level selection bit (Note 2)	0	Falling waveform ("L" level of INT pin is recognized with the SNZI0 instruction)/"L" level	
		1	Rising waveform ("H" level of INT pin is recognized with the SNZI0 instruction)/"H" level	
I1 ₁	Not used	0	This bit has no function, but read/write is enabled.	
		1		
I1 ₀	Not used	0	This bit has no function, but read/write is enabled.	
		1		

Notes 1: "R" represents read enabled, and "W" represents write enabled.

2: Depending on the input state of P2₁/INT pin, the external interrupt request flag EXF0 may be set to "1" when the contents of I1₂ is changed. Accordingly, set a value to bit 2 of register I1 and execute the SNZ0 instruction to clear the EXF0 flag after executing at least one instruction.

CONTROL REGISTERS (CONTINUED)

Timer control register W1		at reset : 0000 ₂		at RAM back-up : 0000 ₂	R/W
W1 ₃	Prescaler control bit	0	Stop (prescaler state initialized)		
		1	Operating		
W1 ₂	Prescaler dividing ratio selection bit	0	Instruction clock divided by 4		
		1	Instruction clock divided by 8		
W1 ₁	Timer 1 count source selection bit	0	Prescaler output (ORCLK)		
		1	Carrier output (CARRY)		
W1 ₀	Timer 1 control bit	0	Stop (state retained)		
		1	Operating		

Timer control register W2		at reset : 0000 ₂		at RAM back-up : state retained	R/W
W2 ₃	Timer 2 control bit	0	Stop (state retained)		
		1	Operating		
W2 ₂	Port D ₉ /TOUT pin function selection bit	0	Port D ₉		
		1	TOUT pin		
W2 ₁	Timer 2 count source selection bits	W2 ₁	W2 ₀	Count source	
		0	0	Prescaler output (ORCLK)	
0		1	Timer 1 underflow signal		
W2 ₀		1	0	Instruction clock	
	1	1	16-bit timer underflow signal		

Timer control register W3		at reset : 0000 ₂		at RAM back-up : state retained	R/W
W3 ₃	Timer 3 control bit	0	Stop (state retained)		
		1	Operating		
W3 ₂	Not used	0	This bit has no function, but read/write is enabled.		
		1			
W3 ₁	Timer 3 count source selection bits	W3 ₁	W3 ₀	Count source	
		0	0	Timer 2 underflow signal	
0		1	Prescaler output (ORCLK)		
W3 ₀		1	0	f(X _{IN}) or f(X _{IN})/2	
	1	1	Not available		

Timer count value store register W5		at reset : 00 ₂		at RAM back-up : state retained	R/W
2-bit register. The contents of the high-order 2 bits (bits 9 and 8) of the 10-bit ROM pattern at address (D ₂ D ₁ D ₀ A ₃ A ₂ A ₁ A ₀) in page p specified by registers D and A is stored in this register W5 with the TABP p instruction. In addition, data can be transferred between the low-order 2 bits of register A and this register W5 with the TW5A or TAW5 instruction. Data can be read/written to/from the high-order 2 bits of timer 1 with the T1AB or TAB1 instruction.					

Note: "R" represents read enabled, and "W" represents write enabled.

CONTROL REGISTERS (CONTINUED)

Carrier wave output control register C2		at reset : 00 ₂		at RAM back-up : 00 ₂	W
C2 ₁	Port CARR output control bit	0	Port CARR "L" level output		
		1	Port CARR "H" level output		
C2 ₀	Carrier wave output auto-control bit	0	Auto-control output by timer 1 is invalid		
		1	Auto-control output by timer 1 is valid		

Key-on wakeup control register K0		at reset : 0000 ₂		at RAM back-up : state retained	R/W
K0 ₃	Port P4 ₃ key-on wakeup control bit	0	Key-on wakeup not used		
		1	Key-on wakeup used		
K0 ₂	Port P4 ₂ key-on wakeup control bit	0	Key-on wakeup not used		
		1	Key-on wakeup used		
K0 ₁	Port P4 ₁ key-on wakeup control bit	0	Key-on wakeup not used		
		1	Key-on wakeup used		
K0 ₀	Port P4 ₀ key-on wakeup control bit	0	Key-on wakeup not used		
		1	Key-on wakeup used		

Pull-up control register PU0		at reset : 0000 ₂		at RAM back-up : state retained	R/W
PU0 ₃	Port P4 ₃ pull-up transistor control bit	0	Pull-up transistor OFF		
		1	Pull-up transistor ON		
PU0 ₂	Port P4 ₂ pull-up transistor control bit	0	Pull-up transistor OFF		
		1	Pull-up transistor ON		
PU0 ₁	Port P4 ₁ pull-up transistor control bit	0	Pull-up transistor OFF		
		1	Pull-up transistor ON		
PU0 ₀	Port P4 ₀ and P0 ₁ pull-up transistor control bit	0	Pull-up transistor OFF		
		1	Pull-up transistor ON		

Clock control register MR		at reset : 1000 ₂		at RAM back-up : state retained	R/W
MR ₃	System clock selection bit	0	f(X _{IN})		
		1	f(X _{IN})/4		
MR ₂	Not used	0	This bit has no function, but read/write is enabled.		
		1			
MR ₁	Not used	0	This bit has no function, but read/write is enabled.		
		1			
MR ₀	Not used	0	This bit has no function, but read/write is enabled.		
		1			

8-bit general purpose register PU0		at reset : 00 ₁₆		at RAM back-up : state retained	R/W
8-bit general purpose register.					
8-bit data can be transferred between this register PU0 and registers A and B with the TSIAB instruction and TABSI instruction.					

Note: "R" represents read enabled, and "W" represents write enabled.

ABSOLUTE MAXIMUM RATINGS

Symbol	Parameter	Conditions	Ratings	Unit
V _{DD}	Supply voltage		-0.3 to 7.0	V
V _I	Input voltage P0, P1, P2, P3, P4, $\overline{\text{RESET}}$, X _{IN} , VDCE		-0.3 to V _{DD} +0.3	V
V _O	Output voltage P0, P1, P3, D	Output transistors in cut-off state	-0.3 to V _{DD} +0.3	V
V _O	Output voltage CARR, X _{OUT}		-0.3 to V _{DD} +0.3	V
P _d	Power dissipation		300	mW
Topr	Operating temperature range		-20 to 70	°C
Tstg	Storage temperature range		-40 to 125	°C

RECOMMENDED OPERATING CONDITIONS1

(Mask ROM version: Ta = -20 °C to 70 °C, V_{DD} = 2.0 V to 5.5 V, unless otherwise noted)

(One Time PROM version: Ta = -20 °C to 70 °C, V_{DD} = 2.5 V to 5.5 V, unless otherwise noted)

Symbol	Parameter		Conditions	Limits			Unit
				Min.	Typ.	Max.	
V _{DD}	Supply voltage	Mask ROM version System clock =f(X _{IN})/4	f(X _{IN}) ≤ 4.2 MHz Ceramic resonator	2.0		5.5	V
		Mask ROM version System clock =f(X _{IN})	f(X _{IN}) ≤ 2.0 MHz Ceramic resonator	4.5		5.5	
		One Time PROM version System clock =f(X _{IN})	f(X _{IN}) ≤ 1.0 MHz Ceramic resonator	2.0		5.5	
		Mask ROM version System clock =f(X _{IN})/4	f(X _{IN}) ≤ 4.2 MHz Ceramic resonator	2.5		5.5	
		One Time PROM version System clock =f(X _{IN})	f(X _{IN}) ≤ 2.0 MHz Ceramic resonator	4.5		5.5	
		One Time PROM version System clock =f(X _{IN})	f(X _{IN}) ≤ 1.0 MHz Ceramic resonator	2.5		5.5	
V _{RAM}	RAM back-up voltage	Mask ROM version	RAM back-up	1.8		5.5	V
		One Time PROM version		2.0		5.5	V
V _{SS}	Supply voltage				0		V
f(X _{IN})	Oscillation frequency (at ceramic resonance)	Mask ROM version System clock =f(X _{IN})/4	V _{DD} =2.0 V to 5.5V			4.2	MHz
		Mask ROM version System clock =f(X _{IN})	V _{DD} =4.5 V to 5.5V			2.0	
		One Time PROM version System clock =f(X _{IN})	V _{DD} =2.0 V to 5.5V			1.0	
		Mask ROM version System clock =f(X _{IN})/4	V _{DD} =2.5 V to 5.5V			4.2	
		One Time PROM version System clock =f(X _{IN})	V _{DD} =4.5 V to 5.5V			2.0	
		One Time PROM version System clock =f(X _{IN})	V _{DD} =2.5 V to 5.5V			1.0	

RECOMMENDED OPERATING CONDITIONS 2

(Mask ROM version: Ta = -20 °C to 70 °C, VDD = 2.0 V to 5.5 V, unless otherwise noted)

(One Time PROM version: Ta = -20 °C to 70 °C, VDD = 2.5 V to 5.5 V, unless otherwise noted)

Symbol	Parameter	Conditions	Limits			Unit
			Min.	Typ.	Max.	
V _{IH}	"H" level input voltage P0, P1, P2, P3, P4, VDCE		0.8V _{DD}		V _{DD}	V
V _{IH}	"H" level input voltage X _{IN}		0.7V _{DD}		V _{DD}	V
V _{IH}	"H" level input voltage RESET		0.85V _{DD}		V _{DD}	V
V _{IH}	"H" level input voltage INT		0.8V _{DD}		V _{DD}	V
V _{IL}	"L" level input voltage P0, P1, P2, P3, P4, VDCE		0		0.3V _{DD}	V
V _{IL}	"L" level input voltage X _{IN}		0		0.3V _{DD}	V
V _{IL}	"L" level input voltage RESET		0		0.3V _{DD}	V
V _{IL}	"L" level input voltage INT		0		0.2V _{DD}	V
I _{OL} (peak)	"L" level peak output current P0, P1, D ₀ -D ₉ , CARR	V _{DD} =5.0 V			10	mA
		V _{DD} =3.0 V			4	
I _{OL} (peak)	"L" level peak output current P3	V _{DD} =5.0 V			30	mA
		V _{DD} =3.0 V			24	
I _{OL} (avg)	"L" level average output current P0, P1, D ₀ -D ₉ , CARR (Note)	V _{DD} =5.0 V			5	mA
		V _{DD} =3.0 V			2	
I _{OL} (avg)	"L" level average output current P3 (Note)	V _{DD} =5.0 V			15	mA
		V _{DD} =3.0 V			12	
I _{OH} (peak)	"H" level peak output current CARR	V _{DD} =5.0 V			-30	mA
		V _{DD} =3.0 V			-15	
I _{OH} (avg)	"H" level average output current CARR (Note)	V _{DD} =5.0 V			-15	mA
		V _{DD} =3.0 V			-7	
Σ I _{OL}	"L" total current P0, P1, P3				30	mA
Σ I _{OL}	"L" total current D				20	mA
T _{POW}	Power reset circuit valid power rising time	Mask ROM version V _{DD} = 0 to 2.0 V			100	μs
		One Time PROM version V _{DD} = 0 to 2.5 V				

Note: The average output current is the average current value at the 100 ms interval.

ELECTRICAL CHARACTERISTICS

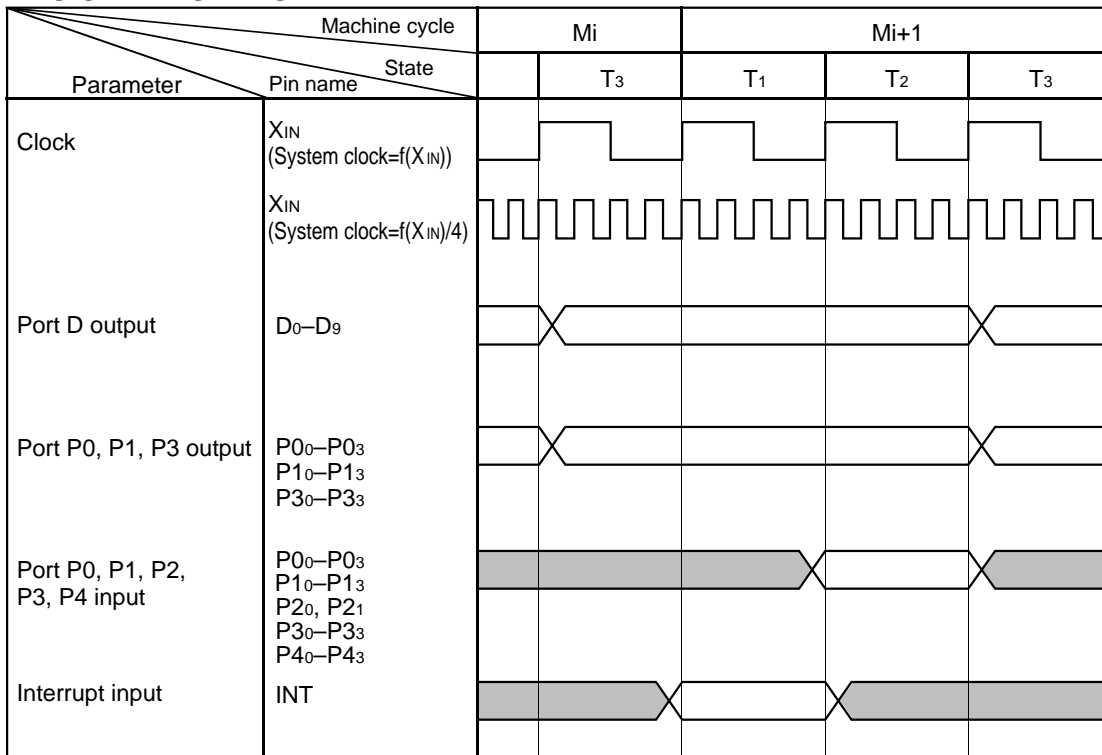
(Mask ROM version: Ta = -20 °C to 70 °C, VDD = 2.0 V to 5.5 V, unless otherwise noted)

(One Time PROM version: Ta = -20 °C to 70 °C, VDD = 2.5 V to 5.5 V, unless otherwise noted)

Symbol	Parameter		Test conditions		Limits			Unit	
					Min.	Typ.	Max.		
VOL	"L" level output voltage P0, P1, D0-D9, CARR, RESET		IO _L = 5 mA	V _{DD} = 5.0 V			0.9	V	
			IO _L = 2 mA	V _{DD} = 3.0 V			0.9		
VOL	"L" level output voltage P3		IO _L = 15 mA	V _{DD} = 5.0 V			1.5	V	
			IO _L = 12 mA	V _{DD} = 3.0 V			1.5		
VOH	"H" level output voltage CARR		IO _H = 15 mA	V _{DD} = 5.0 V	2.4			V	
			IO _H = -7 mA	V _{DD} = 3.0 V	1.0				
I _{IH}	"H" level input current P0, P1, P2, P3, P4, RESET, VDCE		VI = V _{DD} (Note)				1	μA	
I _{IL}	"L" level input current P2, P3, P4, RESET, VDCE		VI = 0 V (Note)		-1			μA	
IOZ	Output current at off-state D0-D9		VO = V _{DD}				1	μA	
IDD	Supply current	at CPU operating mode	V _{DD} = 5.0 V, f(X _{IN}) = 4.2 MHz System clock = f(X _{IN})/4			1.3	2.6	mA	
			V _{DD} = 5.0 V		f(X _{IN}) = 2 MHz		1.9		3.8
			System clock = f(X _{IN})		f(X _{IN}) = 1 MHz		1.3		2.6
			V _{DD} = 3.0 V, f(X _{IN}) = 4.2 MHz System clock = f(X _{IN})/4			0.6	1.2		
		V _{DD} = 3.0 V		f(X _{IN}) = 1 MHz		0.5	1.0		
		System clock = f(X _{IN})		f(X _{IN}) = 500 kHz		0.4	0.8		
		at RAM back-up mode	f(X _{IN}) = stop, typical value at Ta = 25 °C			0.1	10	μA	
R _{PH}	Pull-up resistor value	P0, P1, P4	V _{DD} = 5.0 V, VI = 0 V		20	50	125	kΩ	
			V _{DD} = 3.0 V, VI = 0 V		40	100	250		
		RESET	V _{DD} = 5.0 V, VI = 0 V		12	30	70	kΩ	
			V _{DD} = 3.0 V, VI = 0 V		25	60	130		
VT+ - VT-	Hysteresis	INT	V _{DD} = 5.0 V			0.5		V	
			V _{DD} = 3.0 V			0.4			
		RESET	V _{DD} = 5.0 V			1.5		V	
			V _{DD} = 3.0 V			0.6			

Note: In this case, the pull-up transistor of port P4 is turned off by software.

BASIC TIMING DIAGRAM



BUILT-IN PROM VERSION

In addition to the mask ROM version, the 4570 Group has the programmable ROM version software compatible with mask ROM. The One Time PROM version has PROM which can only be written to and not be erased.

The built-in PROM version has functions similar to those of the mask ROM version, but it has a PROM mode that enables writing to built-in PROM.

Table 16 shows the product of built-in PROM version. Figure 35 shows the pin configurations of built-in PROM version. The One Time PROM version has pin-compatibility with the mask ROM version.

Table 16 Product of built-in PROM version

Product	PROM size (X 10 bits)	RAM size (X 4 bits)	Package	ROM type
M34570E8FP	8192 words	128 words	36P2R-A	One Time PROM
M34570EDFP	16384 words	128 words	36P2R-A	

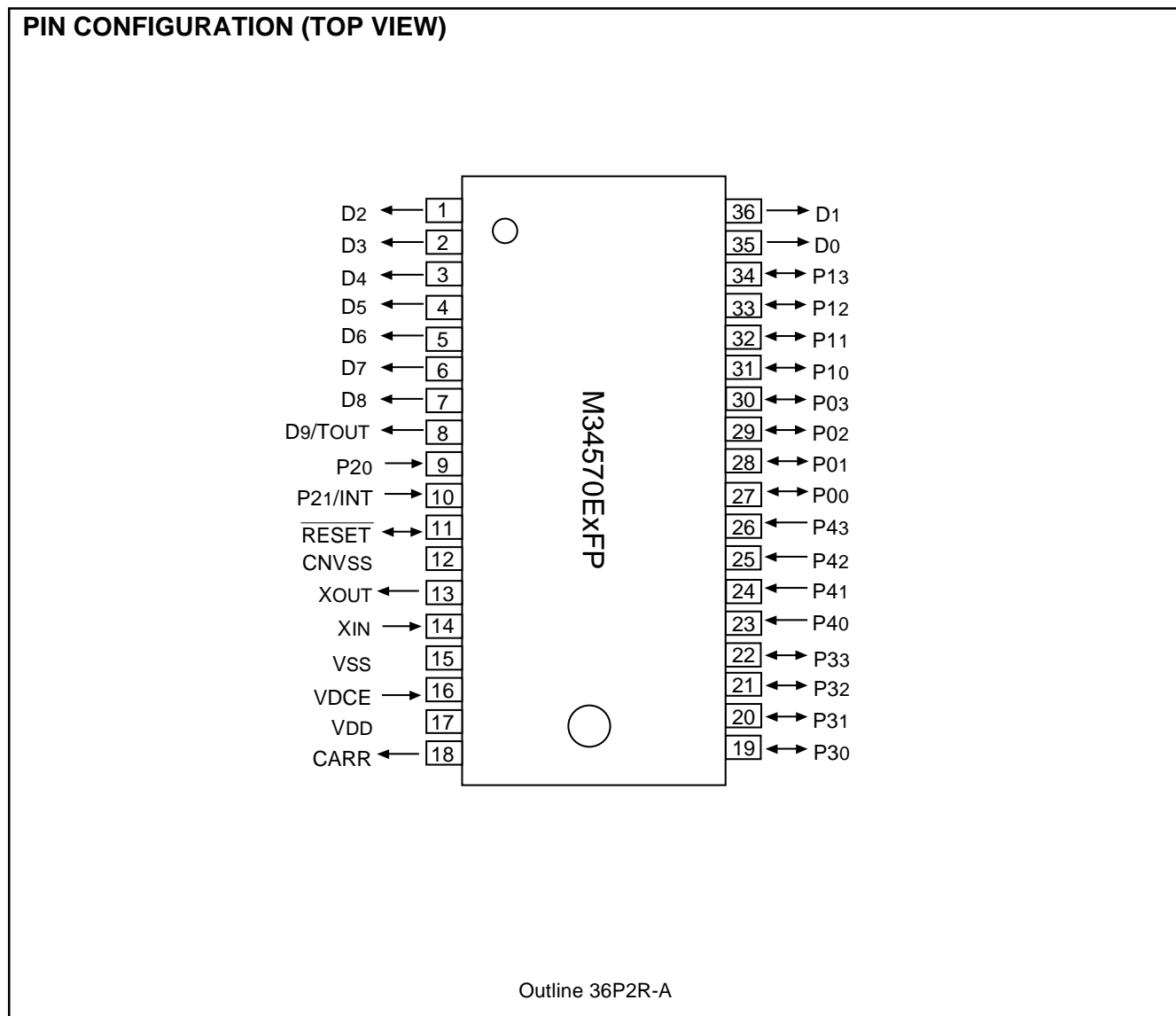


Fig. 35 Pin configuration of built-in PROM version

(1) PROM mode

The built-in PROM version has a PROM mode in addition to a normal operation mode. The PROM mode is used to write to and read from the built-in PROM.

In the PROM mode, the programming adapter can be used with a general-purpose PROM programmer to write to or read from the built-in PROM as if it were M5M27C256K. Programming adapter is listed in Table 17. Contact addresses at the end of this book for the appropriate PROM programmer.

- Writing and reading of built-in PROM

Programming voltage is 12.5 V. Write the program in the PROM of the built-in PROM version as shown in Figure 36.

(2) Notes on handling

- ① A high-voltage is used for writing. Take care that overvoltage is not applied. Take care especially at turning on the power.
- ② For the One Time PROM version Mitsubishi Electric corp. does not perform PROM writing test and screening in the assembly process and following processes. In order to improve reliability after writing, performing writing and test according to the flow shown in Figure 37 before using is recommended.

Table 17 Programming adapter

Microcomputer	Programming adapter
M34570E8FP, M34570EDFP	PCA7425

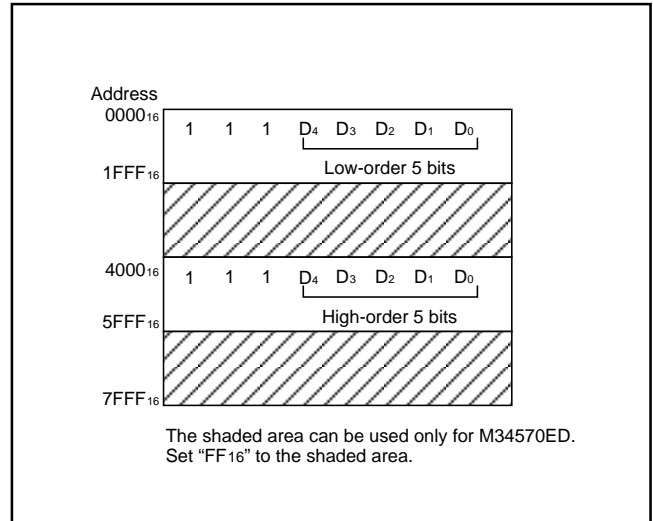


Fig. 36 PROM memory map

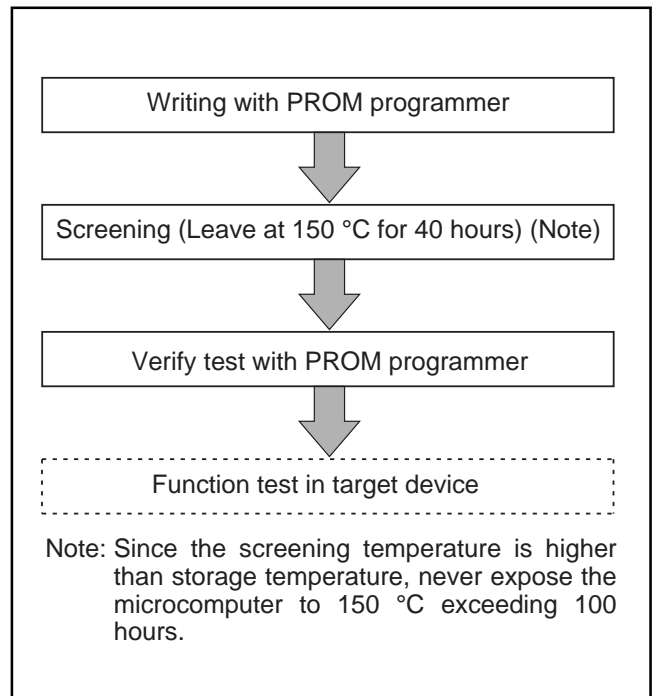


Fig. 37 Flow of writing and test of the product shipped in blank

GZZ-SH55-08B <91A0>

Mask ROM number	
-----------------	--

4500 SERIES MASK ROM ORDER CONFIRMATION FORM
SINGLE-CHIP MICROCOMPUTER M34570M4-XXXFP
MITSUBISHI ELECTRIC

Receipt	Date:	
	Section head signature	Supervisor signature

Please fill in all items marked *.

* Customer	Company name		Issuance signature	Responsible officer	Supervisor
	Date issued	Date: _____			

* 1. Confirmation

Three sets of EPROMs are required for each pattern if this order is performed by EPROMs.
 One floppy disk is required for each pattern if this order is performed by floppy disk.

Ordering by the EPROMs

Specify the type of EPROMs submitted (check in the approximate box).

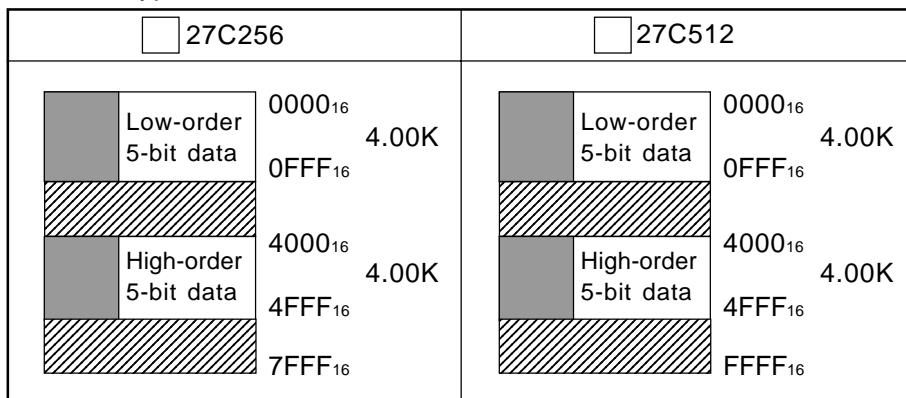
If at least two of the three sets of EPROMs submitted contain the identical data, we will produce masks based on this data. We shall assume the responsibility for errors only if the mask ROM data on the products we produce differ from this data. Thus, the customer must be especially careful in verifying the data contained in the EPROMs submitted.

Checksum code for entire EPROM area

--	--	--	--

 (hexadecimal notation)

EPROM Type:



Set "FF₁₆" in the shaded area.

Set "1112" in the area of low-order and high-order 5-bit data.

GZZ-SH55-08B <91A0>

Mask ROM number	
-----------------	--

**4500 SERIES MASK ROM ORDER CONFIRMATION FORM
SINGLE-CHIP MICROCOMPUTER M34570M4-XXXFP
MITSUBISHI ELECTRIC**

Ordering by floppy disk

We will produce masks based on the mask files generated by the mask file generating utility. We shall assume the responsibility for errors only if the mask ROM data on the products we produce differs from this mask file. Thus, extreme care must be taken to verify the mask file in the submitted floppy disk. The submitted floppy disk must be 3.5 inch 2HD type and DOS/V format. And the number of the mask files must be 1 in one floppy disk.

File code

--	--	--	--	--	--	--	--	--	--

 (hexadecimal notation)

Mask file name

--	--	--	--	--	--	--	--	--	--

 .MSK (equal or less than eight characters)

* 2. Mark Specification

Mark specification must be submitted using the correct form for the type of package being ordered. Fill out the approximate Mark Specification Form (36P2R-A for M34570M4-XXXFP) and attach to the Mask ROM Order Confirmation Form.

* 3. Comments

GZZ-SH55-09B <91A0>

Mask ROM number	
-----------------	--

**4500 SERIES MASK ROM ORDER CONFIRMATION FORM
SINGLE-CHIP MICROCOMPUTER M34570M8-XXXFP
MITSUBISHI ELECTRIC**

Please fill in all items marked *.

* Customer	Company name		Receipt	Date:	
	Date issued	Date:		Section head signature	Supervisor signature
		TEL ()	Issuance signature	Responsible officer	Supervisor

*** 1. Confirmation**

Three sets of EPROMs are required for each pattern if this order is performed by EPROMs.
One floppy disk is required for each pattern if this order is performed by floppy disk.

Ordering by the EPROMs

Specify the type of EPROMs submitted (check in the approximate box).

If at least two of the three sets of EPROMs submitted contain the identical data, we will produce masks based on this data. We shall assume the responsibility for errors only if the mask ROM data on the products we produce differ from this data. Thus, the customer must be especially careful in verifying the data contained in the EPROMs submitted.

Checksum code for entire EPROM area (hexadecimal notation)

EPROM Type:

<input type="checkbox"/> 27C256	<input type="checkbox"/> 27C512

Set "FF16" in the shaded area.

Set "1112" in the area of low-order and high-order 5-bit data.

GZZ-SH55-09B <91A0>

Mask ROM number	
-----------------	--

**4500 SERIES MASK ROM ORDER CONFIRMATION FORM
SINGLE-CHIP MICROCOMPUTER M34570M8-XXXFP
MITSUBISHI ELECTRIC**

Ordering by floppy disk

We will produce masks based on the mask files generated by the mask file generating utility. We shall assume the responsibility for errors only if the mask ROM data on the products we produce differs from this mask file. Thus, extreme care must be taken to verify the mask file in the submitted floppy disk. The submitted floppy disk must be 3.5 inch 2HD type and DOS/V format. And the number of the mask files must be 1 in one floppy disk.

File code

--	--	--	--	--	--	--	--

 (hexadecimal notation)

Mask file name

--	--	--	--	--	--	--	--

 .MSK (equal or less than eight characters)

* 2. Mark Specification

Mark specification must be submitted using the correct form for the type of package being ordered. Fill out the approximate Mark Specification Form (36P2R-A for M34570M8-XXXFP) and attach to the Mask ROM Order Confirmation Form.

* 3. Comments

GZZ-SH55-10B <91A0>

Mask ROM number	
-----------------	--

4500 SERIES MASK ROM ORDER CONFIRMATION FORM
SINGLE-CHIP MICROCOMPUTER M34570MD-XXXFP
MITSUBISHI ELECTRIC

Receipt	Date:	
	Section head signature	Supervisor signature

Please fill in all items marked *.

* Customer	Company name			Issuance signature	Responsible officer	Supervisor
	Date issued	Date:	TEL ()			

*** 1. Confirmation**

Three sets of EPROMs are required for each pattern if this order is performed by EPROMs.
 One floppy disk is required for each pattern if this order is performed by floppy disk.

- Ordering by the EPROMs**
 Specify the type of EPROMs submitted (check in the approximate box).
 If at least two of the three sets of EPROMs submitted contain the identical data, we will produce masks based on this data. We shall assume the responsibility for errors only if the mask ROM data on the products we produce differ from this data. Thus, the customer must be especially careful in verifying the data contained in the EPROMs submitted.

Checksum code for entire EPROM area (hexadecimal notation)

EPROM Type:

<input type="checkbox"/> 27C256	<input type="checkbox"/> 27C512
<p style="font-size: small;">0000₁₆ 16.00K Low-order 5-bit data 3FFF₁₆ 4000₁₆ 16.00K High-order 5-bit data 7FFF₁₆</p>	<p style="font-size: small;">0000₁₆ 16.00K Low-order 5-bit data 3FFF₁₆ 4000₁₆ 16.00K High-order 5-bit data 7FFF₁₆ FFFF₁₆</p>

Set "FF₁₆" in the shaded area.
 Set "1112" in the area of low-order and high-order 5-bit data.

GZZ-SH55-10B <91A0>

Mask ROM number	
-----------------	--

**4500 SERIES MASK ROM ORDER CONFIRMATION FORM
SINGLE-CHIP MICROCOMPUTER M34570MD-XXXFP
MITSUBISHI ELECTRIC**

Ordering by floppy disk

We will produce masks based on the mask files generated by the mask file generating utility. We shall assume the responsibility for errors only if the mask ROM data on the products we produce differs from this mask file. Thus, extreme care must be taken to verify the mask file in the submitted floppy disk. The submitted floppy disk must be 3.5 inch 2HD type and DOS/V format. And the number of the mask files must be 1 in one floppy disk.

File code

--	--	--	--	--	--	--	--	--	--

 (hexadecimal notation)

Mask file name

--	--	--	--	--	--	--	--	--	--

 .MSK (equal or less than eight characters)

* 2. Mark Specification

Mark specification must be submitted using the correct form for the type of package being ordered. Fill out the approximate Mark Specification Form (36P2R-A for M34570MD-XXXFP) and attach to the Mask ROM Order Confirmation Form.

* 3. Comments

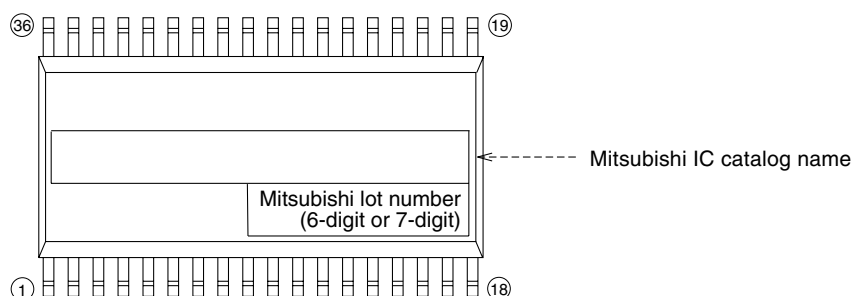
MARK SPECIFICATION FORM

36P2R-A (36-PIN SHRINK SOP) MARK SPECIFICATION FORM

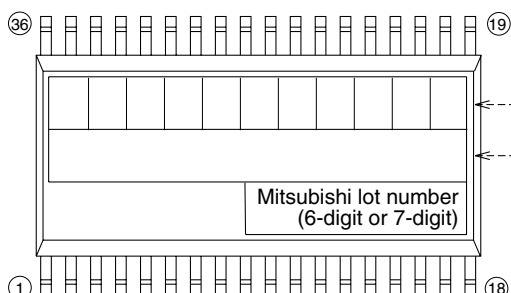
Mitsubishi IC catalog name

Please choose one of the marking types below (A, B, C), and enter the Mitsubishi catalog name and the special mark (if needed).

A. Standard Mitsubishi Mark



B. Customer's Parts Number + Mitsubishi catalog name



Customer's Parts Number

Note : The fonts and size of characters are standard Mitsubishi type.

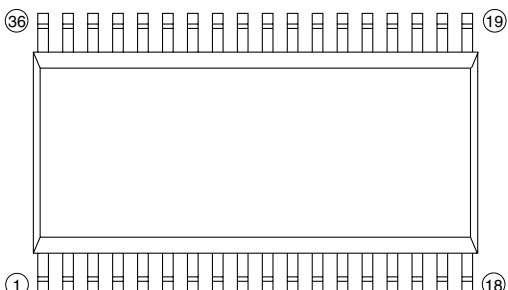
Mitsubishi IC catalog name

Note1 : The mark field should be written right aligned.

2 : The fonts and size of characters are standard Mitsubishi type.

3 : Customer's Parts Number can be up to 11 characters : Only 0 ~ 9, A ~ Z, +, -, /, (,), &, ©, . (periods), , (commas) are usable.

C. Special Mark Required



Note1 : If the Special Mark is to be Printed, indicate the desired layout of the mark in the left figure. The layout will be duplicated as close as possible.

Mitsubishi lot number (6-digit or 7-digit) and Mask ROM number (3-digit) are always marked.

2 : If the customer's trade mark logo must be used in the Special Mark, check the box below.

Please submit a clean original of the logo.

For the new special character fonts a clean font original (ideally logo drawing) must be submitted.

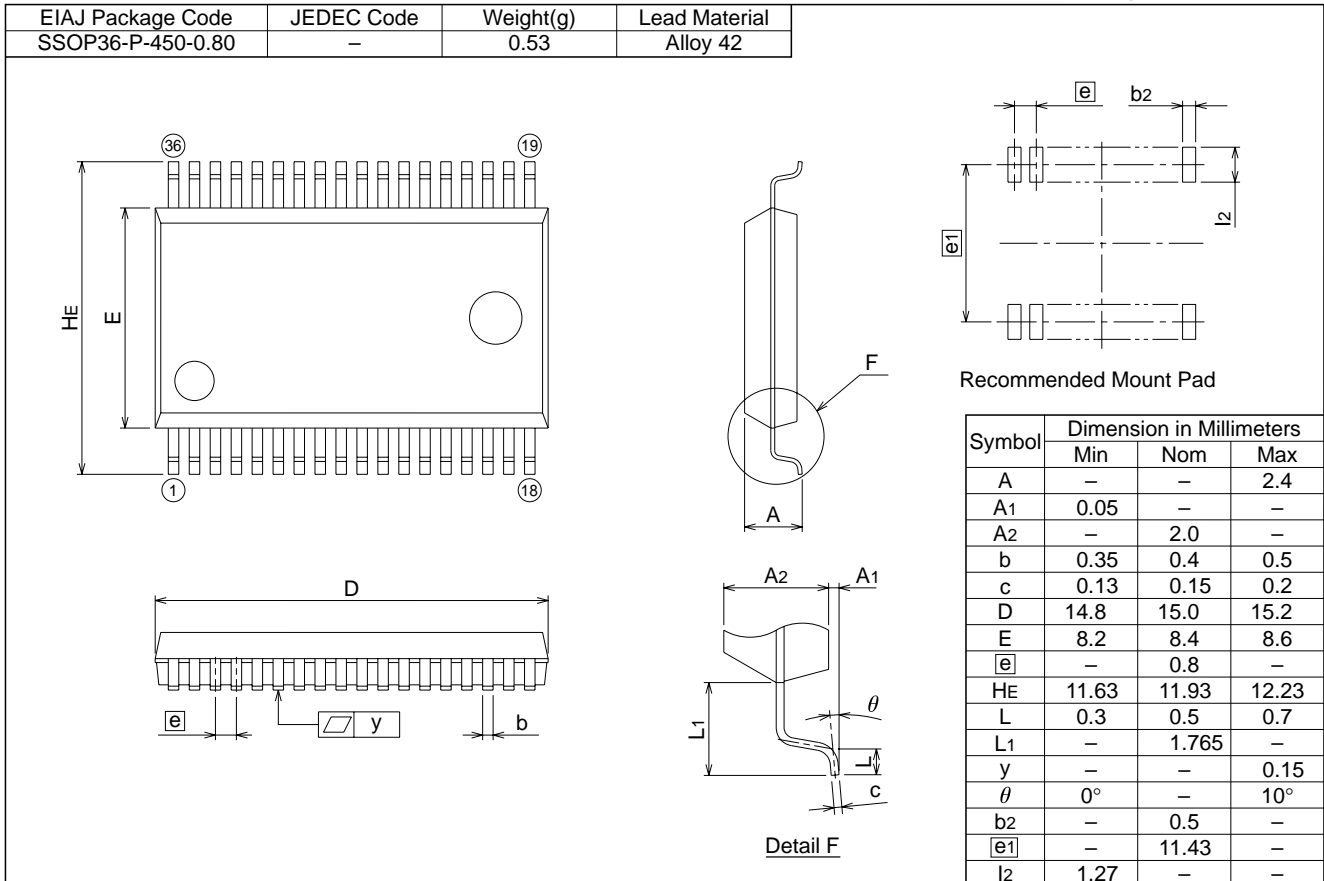
Special logo required

3 : The standard Mitsubishi font is used for all characters except for a logo.

PACKAGE OUTLINE

36P2R-A

Plastic 36pin 450mil SSOP



Renesas Technology Corp.

Nippon Bldg., 6-2, Otemachi 2-chome, Chiyoda-ku, Tokyo, 100-0004 Japan

Keep safety first in your circuit designs!

- Mitsubishi Electric Corporation puts the maximum effort into making semiconductor products better and more reliable, but there is always the possibility that trouble may occur with them. Trouble with semiconductors may lead to personal injury, fire or property damage. Remember to give due consideration to safety when making your circuit designs, with appropriate measures such as (i) placement of substitutive, auxiliary circuits, (ii) use of non-flammable material or (iii) prevention against any malfunction or mishap.

Notes regarding these materials

- These materials are intended as a reference to assist our customers in the selection of the Mitsubishi semiconductor product best suited to the customer's application; they do not convey any license under any intellectual property rights, or any other rights, belonging to Mitsubishi Electric Corporation or a third party.
- Mitsubishi Electric Corporation assumes no responsibility for any damage, or infringement of any third-party's rights, originating in the use of any product data, diagrams, charts or circuit application examples contained in these materials.
- All information contained in these materials, including product data, diagrams and charts, represent information on products at the time of publication of these materials, and are subject to change by Mitsubishi Electric Corporation without notice due to product improvements or other reasons. It is therefore recommended that customers contact Mitsubishi Electric Corporation or an authorized Mitsubishi Semiconductor product distributor for the latest product information before purchasing a product listed herein.
- Mitsubishi Electric Corporation semiconductors are not designed or manufactured for use in a device or system that is used under circumstances in which human life is potentially at stake. Please contact Mitsubishi Electric Corporation or an authorized Mitsubishi Semiconductor product distributor when considering the use of a product contained herein for any specific purposes, such as apparatus or systems for transportation, vehicular, medical, aerospace, nuclear, or undersea repeater use.
- The prior written approval of Mitsubishi Electric Corporation is necessary to reprint or reproduce in whole or in part these materials.
- If these products or technologies are subject to the Japanese export control restrictions, they must be exported under a license from the Japanese government and cannot be imported into a country other than the approved destination.
- Any diversion or reexport contrary to the export control laws and regulations of Japan and/or the country of destination is prohibited.
- Please contact Mitsubishi Electric Corporation or an authorized Mitsubishi Semiconductor product distributor for further details on these materials or the products contained therein.

REVISION DESCRIPTION LIST

4570 GROUP DATA SHEET

Rev. No.	Revision Description	Rev. date
1.0	First Edition	971022
2.0	<p>Main revision points are described below.</p> <ul style="list-style-type: none"> • M34570MD-XXXFP and M34570EDFP (ROM expansion products [size: 16K 5 10 bits]) added. • SBK and RBK instructions added and TABP p instruction function is expanded. (TABP p instruction: When this instruction is executed after executing the SBK instruction, pages 64 to 127 are specified. When this instruction is executed after executing the RBK instruction, pages 0 to 63 are specified. When this instruction is executed after system is released from reset and returned from the RAM back-up mode, pages 0 to 63 are specified.) • BL, BML, BLA and BMLA instructions revised. Referred pages are expanded to pages 0 to 127 (p6 can be used for page specification.) 	990331