

Crystal Oscillators (XO's)

XO-480



Description:

Stable high frequency XO with HCMOS/LVPECL output. Packaged crystal provide low aging.

Features:

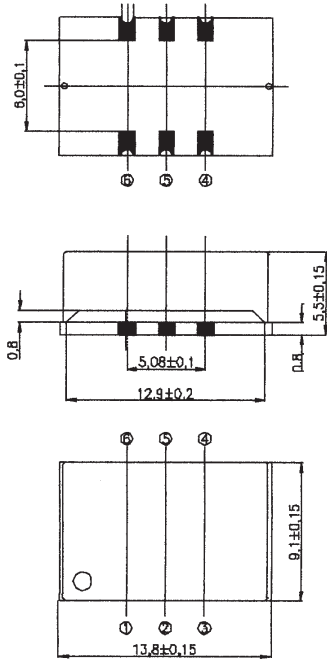
- 14 x 9 mm SMD package
- 155.52, 166.6286, 167.3316 MHz
- 3.3 V supply voltage
- LVPECL output
- HCMOS

Performance Characteristics

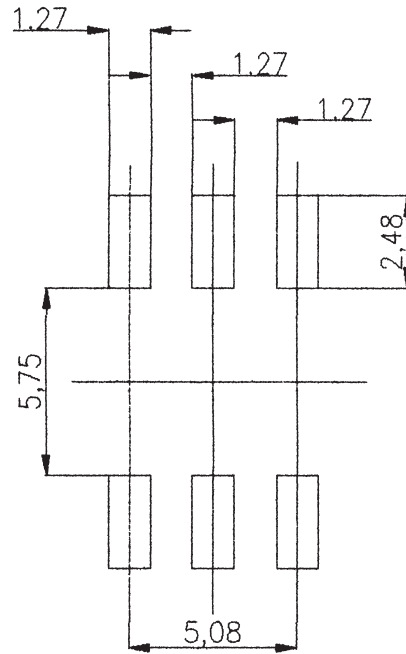
Parameter	Characteristic
Frequency:	155.52 MHz, 167.3316 MHz
Package Size:	13.8 x 9.1 x 5.5 mm
Supply Voltage:	3.3 Vdc \pm 5%
Supply Current:	70 mA max.
Output Type:	LVPECL
Temperature Range/Stability:	D - 105 \pm 10 ppm over -20 to +70°C F - 205 \pm 20 ppm over -40 to +85°C
Accuracy @ +25°C:	\pm 5 ppm
Aging:	2 ppm for the first year 1 ppm per year thereafter
Frequency vs. Supply:	\pm 3 ppm for \pm 5% change
Frequency vs. Load:	\pm 1 ppm for \pm 5% change
Storage Temperature:	-55 to +105°C

XO-480

Outline Drawing



Pad Layout

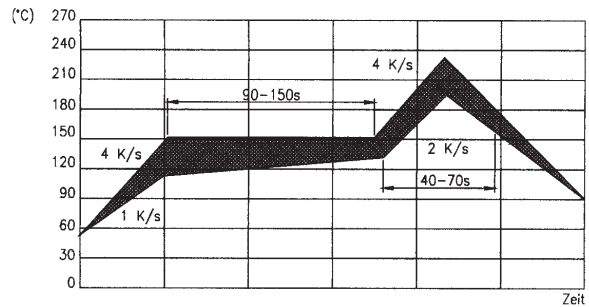


XO

Pin Out Information

Pin	Function
1	N/C
2	Enable/Disable
3	Ground, case
4	RF Output
5	Complementary RF output
6	Supply Voltage UB

Reflow Profile



Ordering Information

