



# Frontier Electronics Corp.

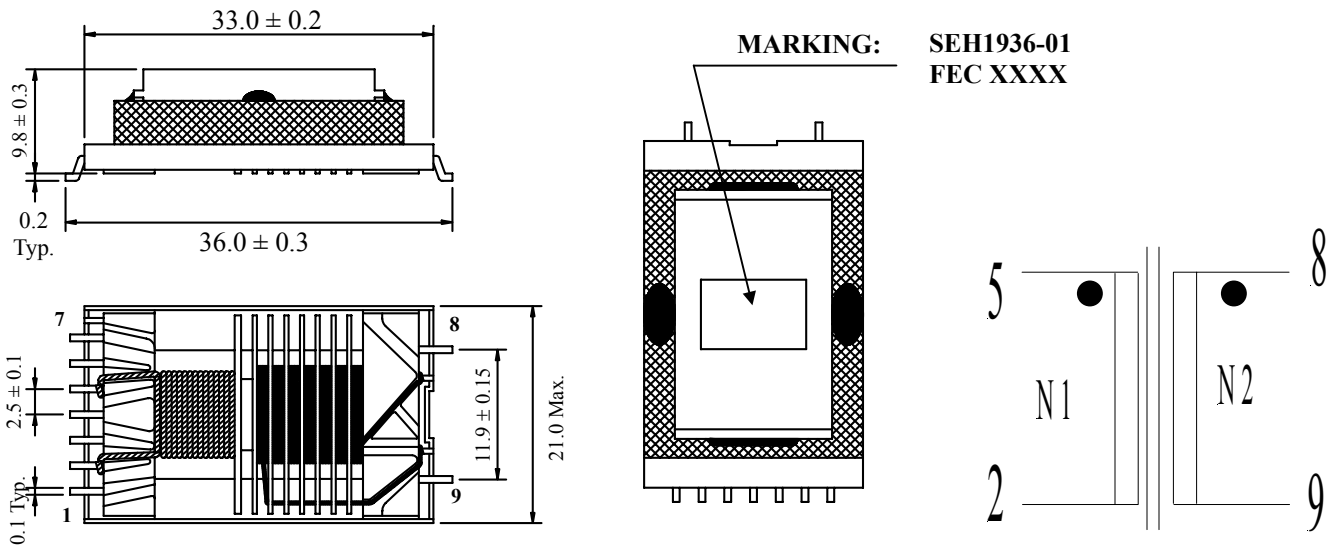
667 E. COCHRAN STREET, SIMI VALLEY, CA 93065  
 TEL: (805) 522-9998 FAX: (805) 522-9989  
 E-mail: frontiersales@frontierusa.com  
 Web: frontierusa.com

## CCFL Inverter Transformer—SEH1936-01

### A. Electrical specification:

Part No.	Marking	Suitable Frequency	Max. Open Voltage	Max. Lamp Watt.	Efficiency
SEH1936-01	SEH1936-01	40KHz~200KHz	1800Vrms	12W	78%

### B. Schematics and Mechanical dimensions: (Unit: mm)



Turn Ratio:  
 N1 : N2 = 1 : 120

### C. Electrical Data:

Winding	Start	Finish	L (@ 50KHz,1.0V)	Lk (@ 50KHz,1.0V)	DCR Ω (@25°C)
N1	4	2	33.5 uH ± 15 %		0.066 Max.
N2	6	7	410 mH ± 15 %	215 mH ± 10%	1100 Max.

### D. Insulation:

Term	Item	Spec.	Condition
Hi-Pot	N 1 & N2 to Core	1600 VAC / 1 Minute	@Cut off current=5mA
	N1 to N2	1200 VAC / 1 Minute	
Isolation	N 1 to N2 & N1, N2 to Core	100 MΩ	500V DC

### E. Features:

- Low profile height: Maximum 5.0mm.
- High efficiency.
- Surface mount.
- Suitable for standard IR re-flows soldering.

### F. Uses:

- Black Light power supplies transformer available.
- Personal Computer.
- LCD panel.
- TV panel.

Note: **RoHS** compliant; for the **ROHS** parts, we add “-LFR” at the end of the P/N.