

Tachometer electronic

Small tachometers and frequency displays

Display LCD, 8-digits

ISI36



ISI36 - Tachometer

Features

- Tachometer and frequency display
- Display unit 1/s
- Input frequency range 1 Hz...12 kHz

Technical data - electrical ratings

Voltage supply	Lithium battery (approx. 8 years at 20 °C)
Display	LCD, 7-segment display
Backlit	24 VDC \pm 20 %, 50 mA
Number of digits	8-digits
Display range	0...12000
Digit height	8 mm
Unit displayed	1/s
Function	Tachometer Frequency display
Display refresh	1 s
Measuring principle	Gate time measurement 1 s
Accuracy	0...0.05 %
Input logic	NPN / PNP coded by wire jumper
Counting frequency	30 Hz, 7 kHz, 12 kHz
Control	NPN, PNP, Floating contact
Emitted interference	DIN EN 61000-6-4
Interference immunity	DIN EN 61000-6-2
Approvals	UL/cUL, CE conform

Technical data - mechanical design

Operating temperature	-10...+60 °C
Storing temperature	-20...+70 °C
Relative humidity	80 % non-condensing
Core cross-section	2.5 mm ² fine wire AWG 12
Protection DIN EN 60529	IP 65 face with seal
Housing type	Housing for control panel installation
Housing colour	Deep grey, RAL 7021
Dimensions W x H x L	48 x 24 x 48 mm
Cutout dimensions	22.2 x 45 mm (+0.3)
Installation depth	47.7 mm
Mounting	Front panel installation by clip frame
Weight approx.	50 g

Tachometer electronic

Small tachometers and frequency displays

Display LCD, 8-digits

ISI36

Type table

ISI36 - Frequency display/Tachometer

Without backlit With backlit	ISI36.010AA01 ISI36.010AB01	ISI36.011AA01 ISI36.011AB01	
Version	NPN	PNP	
Brief description	Fast and slow frequency measuring (1/s)	Fast and slow frequency measuring (1/s)	
Signal input INP A	Fast measuring NPN 7 kHz	Fast measuring PNP 12 kHz	
Signal input INP B	Slow measuring NPN or contact 30 Hz	Slow measuring PNP or contact 30 Hz	

Tachometer electronic

Small tachometers and frequency displays

Display LCD, 8-digits

ISI36

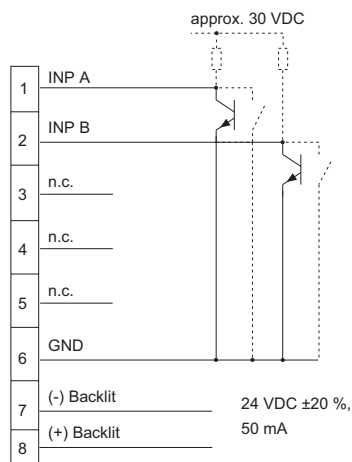
Part number

ISI36.01 **A** **01**

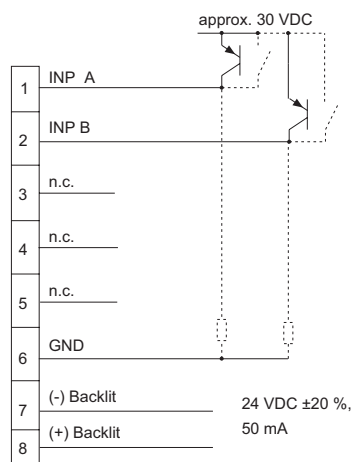
- Display
- A Not backlit
- B Backlit
- Design
- 0 NPN 7 kHz, contact 30 Hz
- 1 PNP 12 kHz, contact 30 Hz

Connection diagram

DC, NPN



DC, PNP



Tachometer electronic

Small tachometers and frequency displays

Display LCD, 8-digits

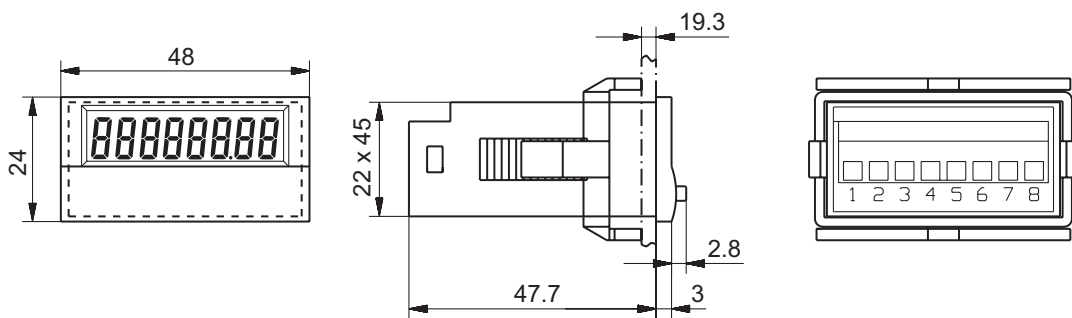
ISI36

Trigger level

Inputs	Input circuit
NPN inputs	Comparator (pin 1+2)
Input level Low	0...0.7 VDC
Input level High	3...30 VDC
Input resistance	1 MΩ
PNP inputs	Comparator (pin 1+2)
Input level Low	0...0.7 VDC
Input level High	4...30 VDC
Input resistance	100 kΩ

Dimensions

ISI36



Front frame for screw/clip mount (included with delivery)

