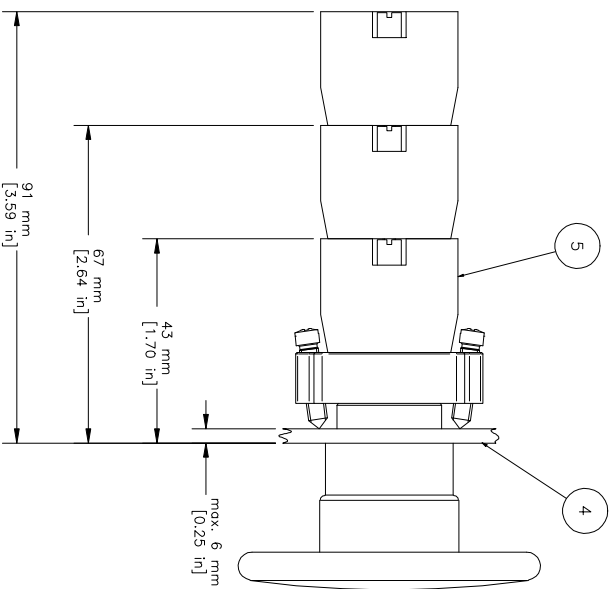
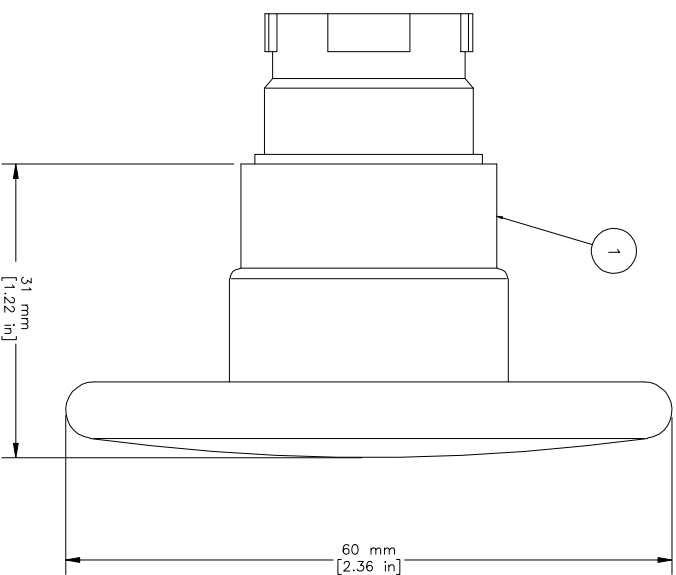
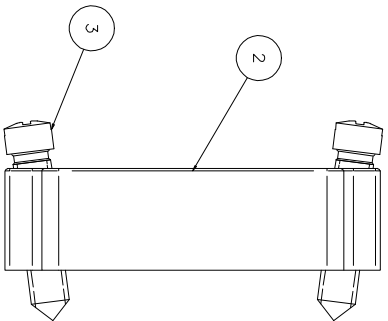
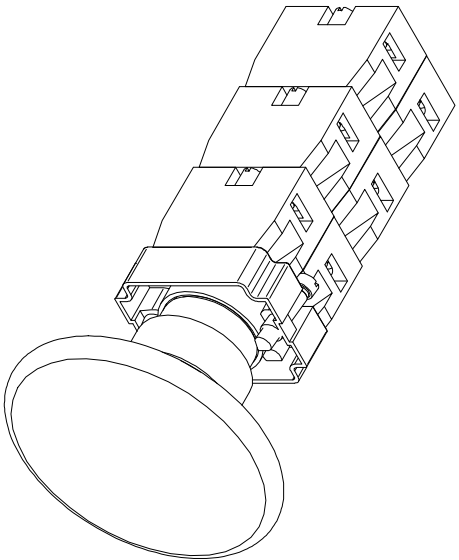


REVISIONS FOR DWG # 1PB-2AMJX

REV	CH. NO.	DESCRIPTION	DATE	REVISED BY
-	-	ORIGINAL DESIGN	09/17/07	Phil E.



ITEM	DESCRIPTION	CAT. NO.	COLOR	MIN. QTY.	MAX. QTY.
1	Mushroom Momentary Large Operator (comes with mounting bracket 2BRK)	2AMJ1	White	1	1
		2AMJ2	Black	1	1
		2AMJ3	Green	1	1
		2AMJ4	Red	1	1
		2AMJ6	Blue	1	1
2AMJ8	Yellow	1	1		
2	Mounting Bracket	2BRK	-	1	1
3	Mounting Bracket Screws	Incl. in 2BRK	-	2	2
4	Panel	S1	Green	1	6
		S2	Red	1	6
5	Switch Contacts	S3	Green/Gray	1	6
		S4	Red/Gray	1	6

UNLESS OTHERWISE SPECIFIED
 • ALL DIMENSIONS ARE IN MILLIMETERS
 • THIRD ANGLE PROJECTION

TOLERANCE	Symbol	Value
XX	⊕	±1 mm
XX X	⊕	±0.5 mm
XX.XX	⊕	±0.2 mm
ALL	⊖	- mm

This Drawing is the property of
Attech Corp.
 35 Royal Road
 Flemington NJ 08822-6000
 (908) 806-9400 • Fax (908) 806-9490

AND IS A CONFIDENTIAL DISCLOSURE
 LENT WITHOUT CONSIDERATION OTHER
 THAN THE BORROWER'S AGREEMENT
 THAT IT SHALL NOT BE REPRODUCED,
 COPIED, LENT, OR DISPOSED OF
 DIRECTLY OR INDIRECTLY NOR USED
 FOR ANY PURPOSE OTHER THAN THAT
 FOR WHICH IT IS SPECIFICALLY
 FURNISHED.

TITLE: 22mm Non-Illuminated Large Mushroom
 Momentary Metal Operator 2AMJX (x=color)

DRAWN BY:	09/17/07	DRAWING NO.:	1PB-2AMJX	REV.:	-
CHECKED BY:	09/17/07	SCALE:	-	SHEET:	1 OF 1
RELEASED BY:	09/17/07				