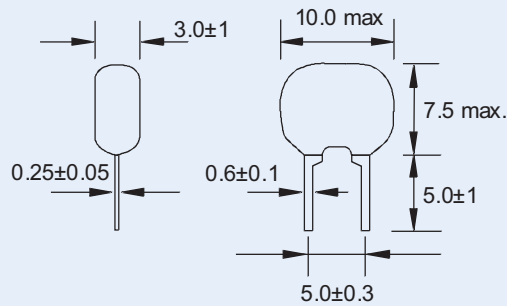


ZTA SERIES 2MHz to 4.91MHz

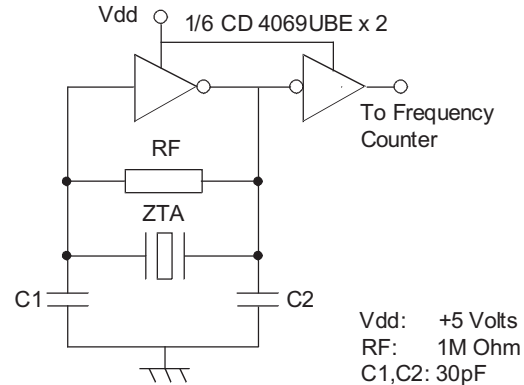
ZTA SERIES

ZTA Series 2MHz to 4.91MHz



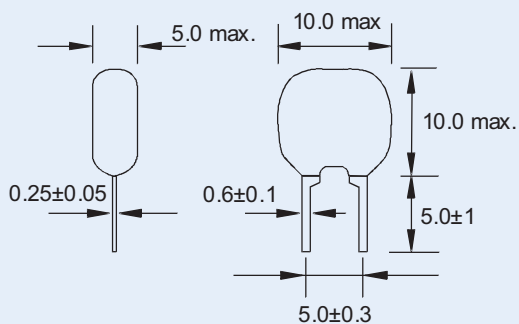
Outline and Dimensions

Test Circuit



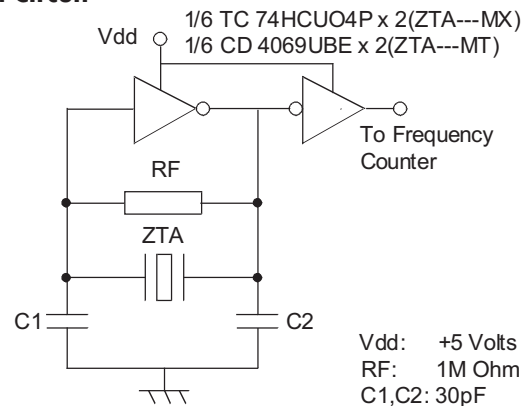
ZTA SERIES 5MHz to 25MHz

ZTA Series 5.0MHz to 25.0MHz



Outline and Dimensions

Test Circuit



Electrical characteristics

Part Number	Frequency Range	Frequency Accuracy at 25°C	Temperature Stability -20° to +80°C	Ageing Stability 10 years	Resonance Resistance (Ω) max.	Withstanding Voltage 5 s max.	Insulation Resistance (Ω) max.
ZTA---MG	2.0 to 2.99	±0.5%	±0.3%	±0.3%	80	100VDC	5x10 ⁸ Ω
ZTA---MG	3.0 to 3.49	±0.5%	±0.3%	±0.3%	50	100VDC	5x10 ⁸ Ω
ZTA---MG	3.5 to 4.99	±0.5%	±0.3%	±0.3%	30	100VDC	5x10 ⁸ Ω
ZTA---MT	5.0 to 6.99	±0.5%	±0.3%	±0.3%	30	100VDC	5x10 ⁸ Ω
ZTA---MT	7.0 to 13.0	±0.5%	±0.3%	±0.3%	25	100VDC	5x10 ⁸ Ω
ZTA---MX	13.01 to 25	±0.5%	±0.3%	±0.3%	25	100VDC	5x10 ⁸ Ω

(For --- insert frequency)