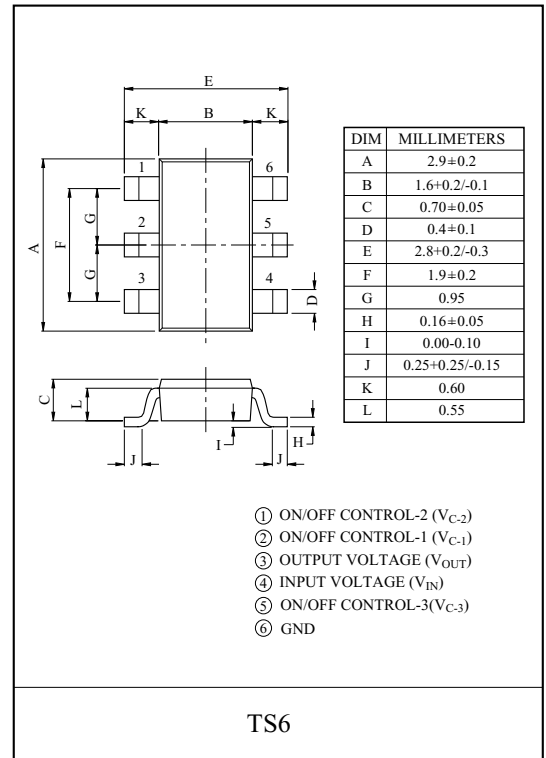


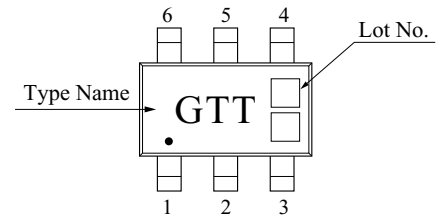
### LOAD SWITCH

#### FEATURES

- Small Package : TS6
- Output Current :  $I_{OUT} = 2.3A_{(DC)}$
- Drain Source On Resistance  
 $; R_{DS} = 115m\ \Omega$  (Typ.) @  $V_{IN} = 4.5V$   
 $; R_{DS} = 175m\ \Omega$  (Typ.) @  $V_{IN} = 3.3V$
- Built-in ON/OFF Control Terminal(3-Terminal)  
(Active High)



#### Marking

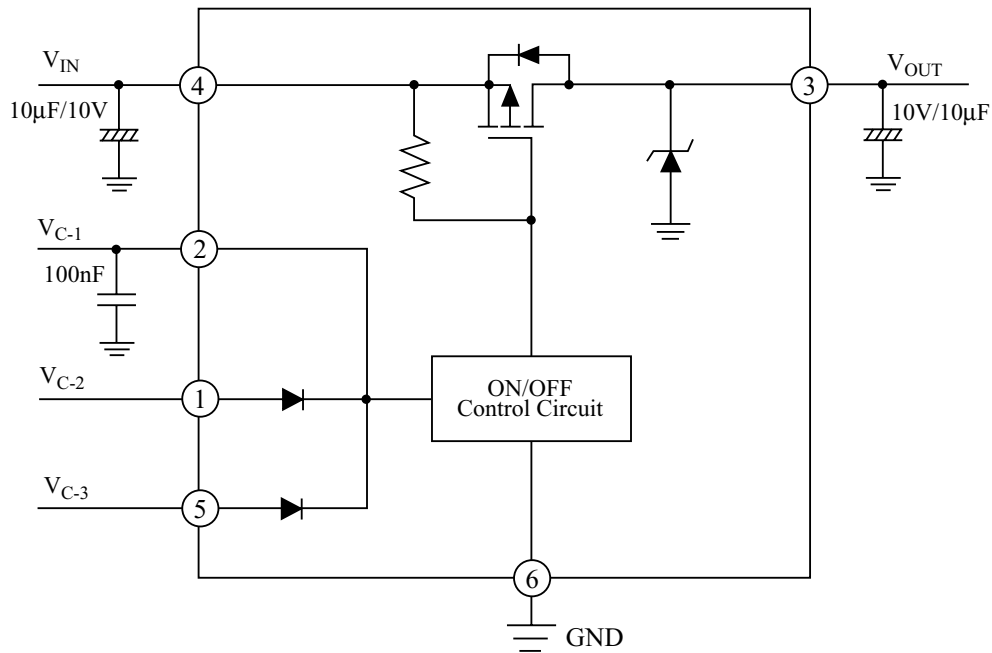


#### MAXIMUM RATINGS ( $T_a=25^\circ C$ )

CHARATERISTICS	SYMBOL	RATING	UNIT
Input Voltage	$V_{IN}$	8	V
Continuos Drain Current	$I_D$	2.3	$A_{(DC)}$
Power Dissipation	$P_D$	350	mW
Operation Temperature	$T_{opr}$	-40 ~ 85	$^\circ C$
Storage temperature	$T_{stg}$	-55 ~ 150	$^\circ C$

# KIB6990T

## BLOCK DIAGRAM & APPLICATION CIRCUIT



## PIN FUNCTIONS

NO	SYMBOL	FUNCTION
1,2,5	$V_C$ - 1,2,3	ON/OFF Control -1,2,3 Pin
3	$V_{OUT}$	Output Pin
4	$V_{IN}$	Input pin
6	GND	GND Pin

## ELECTRICAL CHARACTERISTIC ( unless otherwise specified $V_{IN}=3.3V, T_a=25^\circ C$ )

CHARATERISTICS	SYMBOL	TEST CONDITION	MIN.	TYP.	MAX.	UNIT
Zener Diode Voltage	$V_{ZD}$	$I_Z=30mA$	-	5.6	-	V
C1 Threshold Voltage	$V_{C1(ON)}$	$V_{C1}=High, I_{OUT}=10mA$	1.5	-	-	V
	$V_{C1(OFF)}$	$V_{C1}=Low, I_{OUT}=10mA$	-	-	0.7	
C2 Threshold Voltage	$V_{C2(ON)}$	$V_{C2}=High, I_{OUT}=10mA$	2.1	-	-	V
	$V_{C2(OFF)}$	$V_{C2}=Low, I_{OUT}=10mA$	-	-	1.5	
C3 Threshold Voltage	$V_{C3(ON)}$	$V_{C2}=High, I_{OUT}=10mA$	2.1	-	-	V
	$V_{C3(OFF)}$	$V_{C2}=Low, I_{OUT}=10mA$	-	-	1.5	
P Channel Drain Source on Resistance	$R_{DS(ON)}$	$V_{IN} = 4.5V, I_{IN} = 2.3A, V_{C1} = 2V$	-	115	150	m $\Omega$
		$V_{IN} = 3.3V, I_{IN} = 1.0A, V_{C1} = 2V$	-	175	190	m $\Omega$