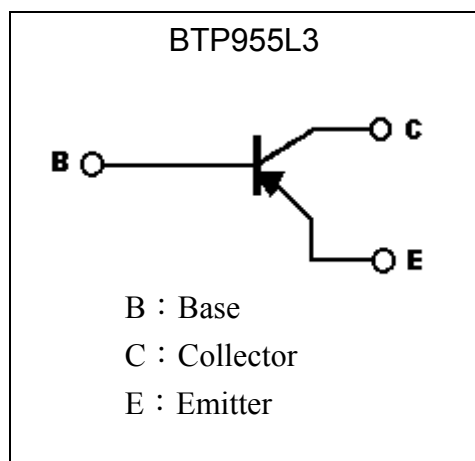
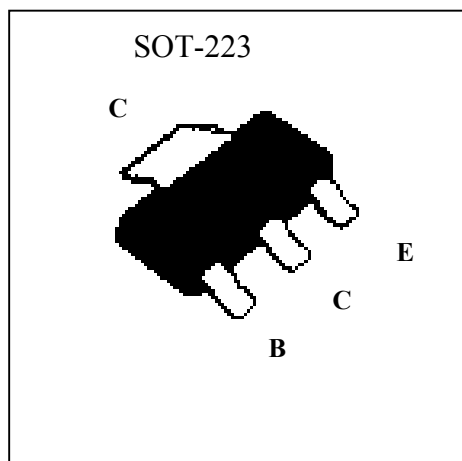


PNP Epitaxial Planar High Current (High Performance) Transistor

BTP955L3

Features

- 4 Amps continuous current, up to 10 Amps peak current
- Very low saturation voltage
- Excellent gain characteristics specified up to 3 Amps
- $P_{tot}=3\text{Watts}$
- Extremely low equivalent on resistance, $R_{CE(SAT)}=90\text{m}\Omega$ at 3A
- Pb-free package

Symbol

Outline

Absolute Maximum Ratings ($T_a=25^\circ\text{C}$)

Parameter	Symbol	Limits	Unit
Collector-Base Voltage	V_{CBO}	-180	V
Collector-Emitter Voltage	V_{CEO}	-140	V
Emitter-Base Voltage	V_{EBO}	-6	V
Continuous Collector Current	I_C	-4	A
Peak Collector Current	I_{CP}	-10	A
Base Current	I_B	-1	A
Power Dissipation @ $T_A=25^\circ\text{C}$	P_d	3 (Note)	W
Operating and Storage Temperature Range	$T_j ; T_{stg}$	-55 ~ +150	$^\circ\text{C}$

Note: The power which can be dissipated assuming the device is mounted in a typical manner on a P.C.B. with copper equal to 4 square inch minimum.

**Characteristics** (Ta=25°C, unless otherwise specified)

Symbol	Min.	Typ.	Max.	Unit	Test Conditions
BV _{CB0}	-180	-210	-	V	I _C =-100μA
BV _{CER}	-180	-210	-	V	I _C =-1μA, R _{BE} ≤1kΩ
*BV _{CEO}	-140	-170	-	V	I _C =-10mA
BV _{EBO}	-6	-8	-	V	I _E =-100μA
I _{CB0}	-	-	-50	nA	V _{CB} =-150V
I _{CER}	-	-	-50	nA	V _{CE} =-150V, R _{BE} ≤1kΩ
I _{EBO}	-	-	-10	nA	V _{EB} =-6V
*V _{CE(sat)1}	-	-40	-60	mV	I _C =-100mA, I _B =-5mA
*V _{CE(sat)2}	-	-70	-120	mV	I _C =-500mA, I _B =-50mA
*V _{CE(sat)3}	-	-110	-150	mV	I _C =-1A, I _B =-100mA
*V _{CE(sat)4}	-	-270	-370	mV	I _C =-3A, I _B =-300mA
*V _{BE(sat)}	-	-930	-1110	mV	I _C =-3A, I _B =-300mA
*V _{BE(on)}	-	-830	-950	mV	V _{CE} =-5V, I _C =-3A
h _{FE1}	100	200	-	-	V _{CE} =-5V, I _C =-10mA
h _{FE2}	100	200	300	-	V _{CE} =-5V, I _C =-1A
*h _{FE3}	75	140	-	-	V _{CE} =-5V, I _C =-3A
*h _{FE4}	-	10	-	-	V _{CE} =-5V, I _C =-10A
f _T	-	110	-	MHz	V _{CE} =-10V, I _C =-100mA, f=50MHz
C _{ob}	-	40	-	pF	V _{CB} =-20V, f=1MHz
ton		68		ns	I _C =-1A, I _{B1} =-100mA, I _{B2} =100mA, V _{CC} =-50V
toff		1030		ns	

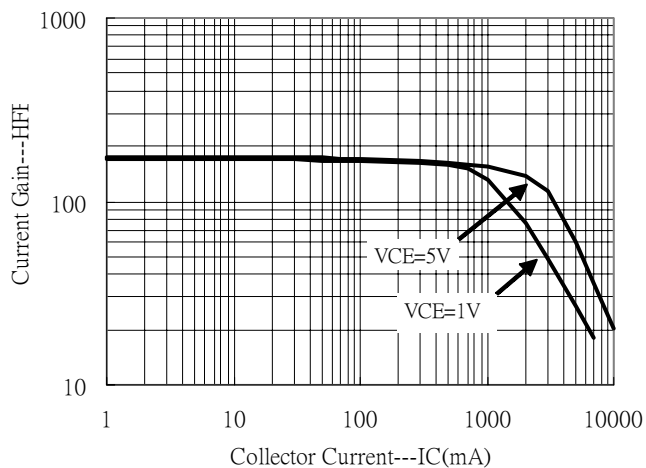
*Pulse Test: Pulse Width ≤380μs, Duty Cycle≤2%

Ordering Information

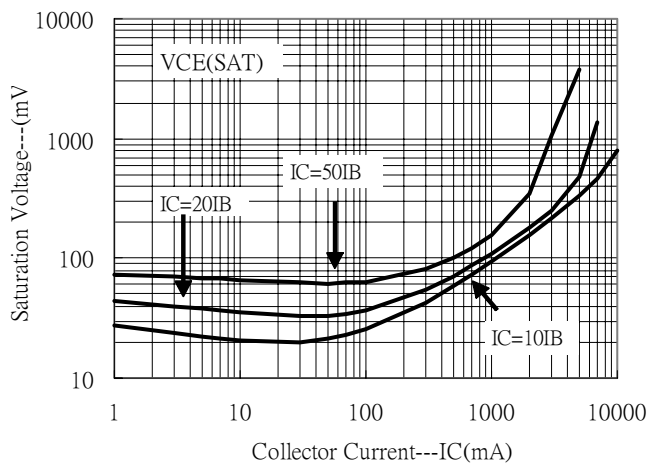
Device	Package	Shipping	Marking
BTP955L3	SOT-223 (Pb-free)	1000 pcs / Tape & Reel	955

Characteristic Curves

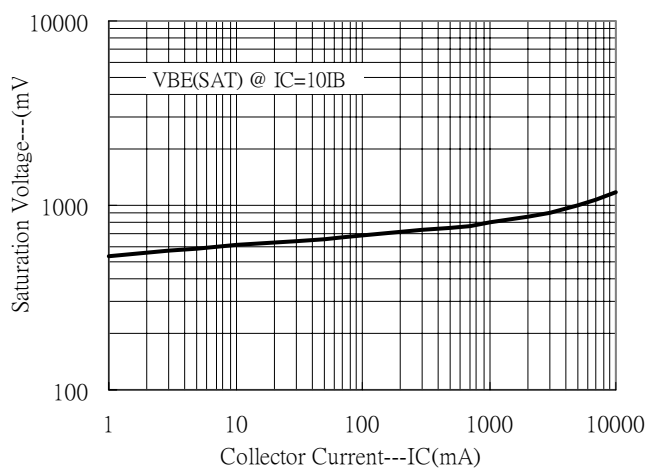
Current Gain vs Collector Current



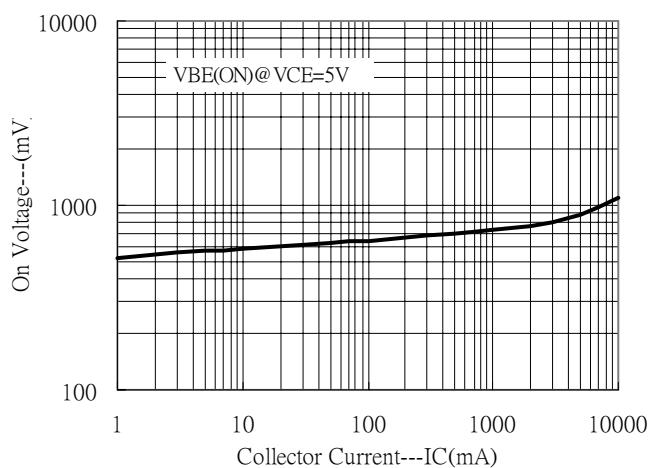
Saturation Voltage vs Collector Current



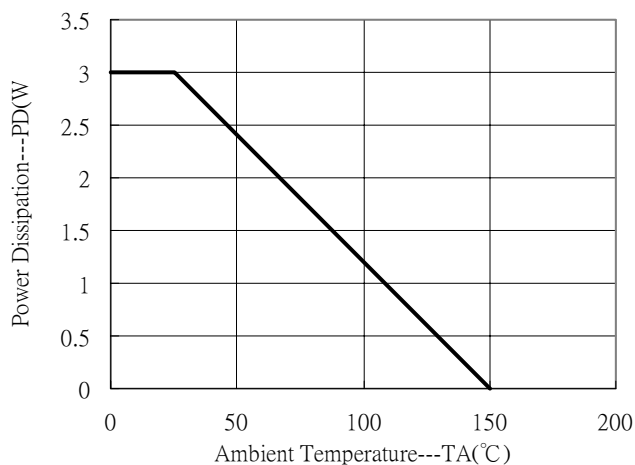
Saturation Voltage vs Collector Current



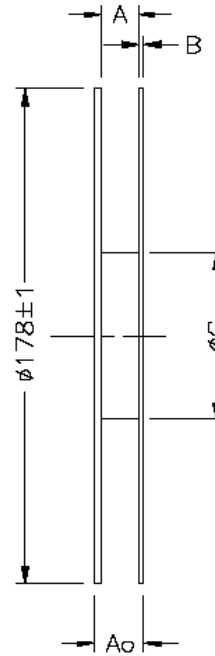
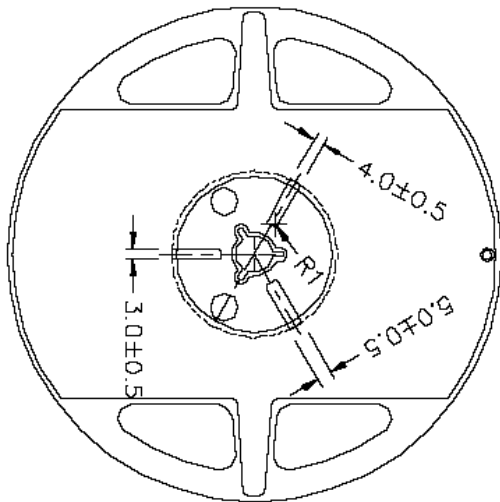
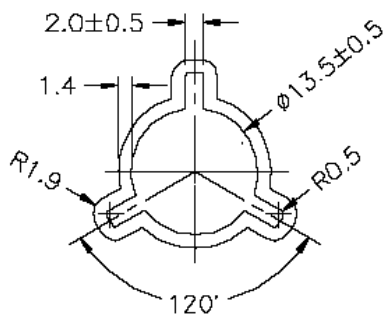
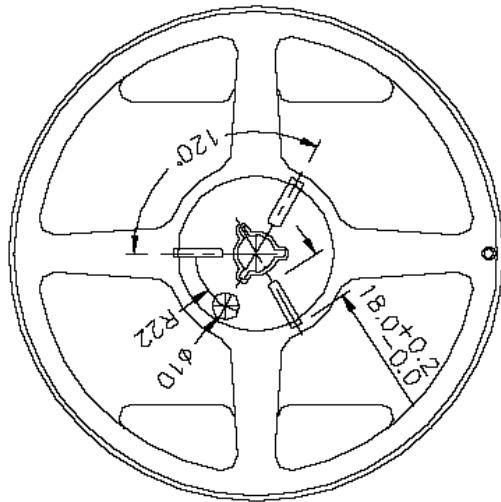
On Voltage vs Collector Current



Power Derating Curve



Reel Dimension



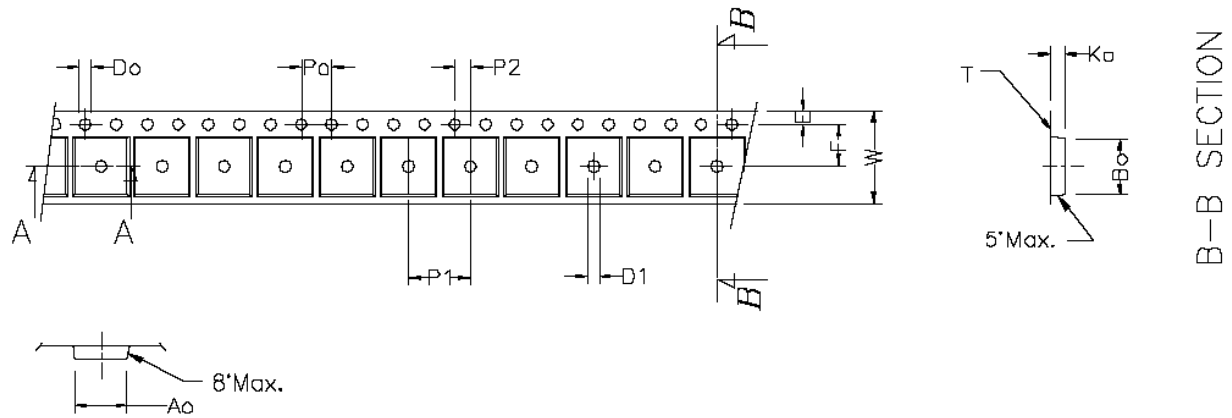
Width of carrier tape	8	12	16
A±0.05	9.0	13.0	17.0
Ao±0.05	12.0	16.0	20.0
B	1.5	1.5	1.5
øC ± ₀ ⁺¹	60	60	60

NOTE :

1. Material : Anti-static polystyrene.
2. Surface resistivity 10⁸ ohm/square

UNIT : millimeter

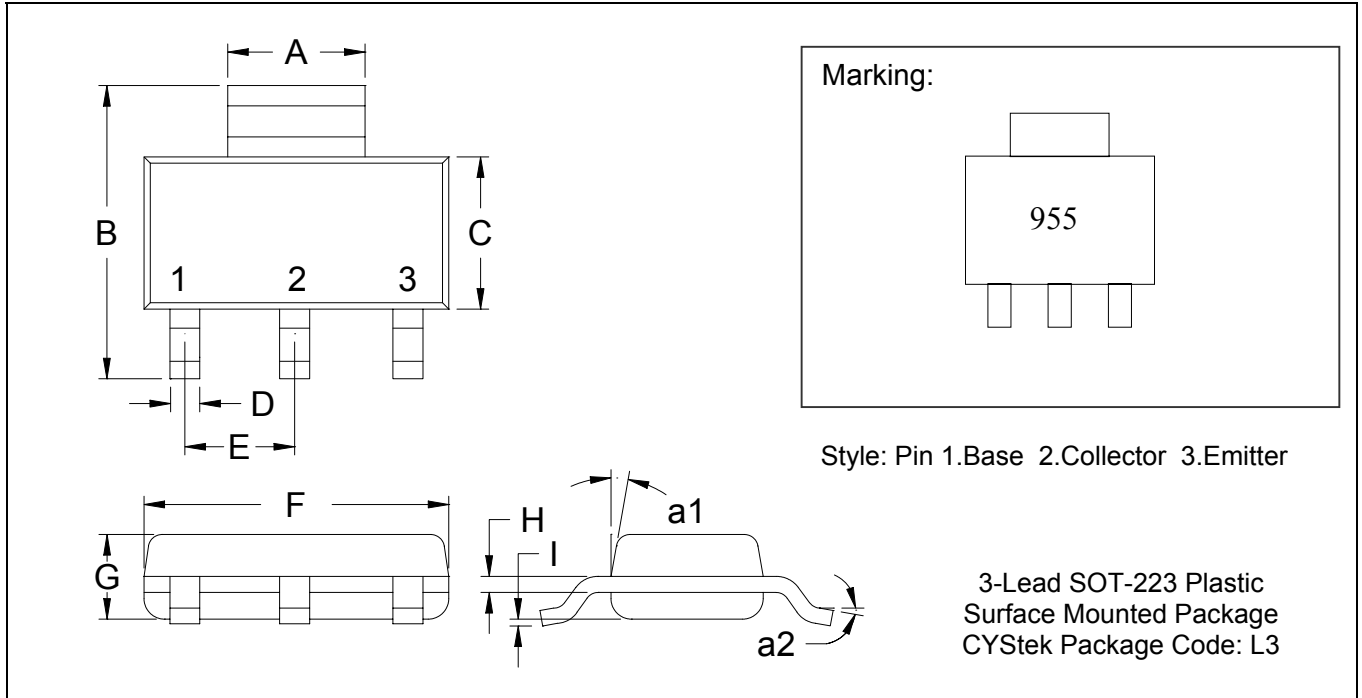
Carrier Tape Dimension



A-A SECTION

symbol	A_o	B_o	K_o	P_o	P_1	P_2	T
Spec	6.83 ± 0.1	7.42 ± 0.1	1.88 ± 0.1	4.0 ± 0.1	8.0 ± 0.10	2.0 ± 0.05	0.292 ± 0.02
symbol	E	F	D_o	D_1	W	$10P_o$	
Spec	1.75 ± 0.1	5.5 ± 0.05	1.60 ± 0.1	1.5 ± 0.25	$12.0^{+0.3}_{-0.1}$	40.0 ± 0.2	

SOT-223 Dimension



*: Typical

DIM	Inches		Millimeters		DIM	Inches		Millimeters	
	Min.	Max.	Min.	Max.		Min.	Max.	Min.	Max.
A	0.1142	0.1220	2.90	3.10	G	0.0551	0.0709	1.40	1.80
B	0.2638	0.2874	6.70	7.30	H	0.0098	0.0138	0.25	0.35
C	0.1299	0.1457	3.30	3.70	I	0.0008	0.0039	0.02	0.10
D	0.0236	0.0315	0.60	0.80	a1	*13°	-	*13°	-
E	*0.0906	-	*2.30	-	a2	0°	10°	0°	10°
F	0.2480	0.2638	6.30	6.70					

- Notes: 1.Controlling dimension: millimeters.
 2.Maximum lead thickness includes lead finish thickness, and minimum lead thickness is the minimum thickness of base material.
 3.If there is any question with packing specification or packing method, please contact your local CYStek sales office.

Material:

- Lead: 42 Alloy; solder plating
- Mold Compound: Epoxy resin family, flammability solid burning class: UL94V-0

Important Notice:

- All rights are reserved. Reproduction in whole or in part is prohibited without the prior written approval of CYStek.
- CYStek reserves the right to make changes to its products without notice.
- CYStek **semiconductor products are not warranted to be suitable for use in Life-Support Applications, or systems.**
- CYStek assumes no liability for any consequence of customer product design, infringement of patents, or application assistance.