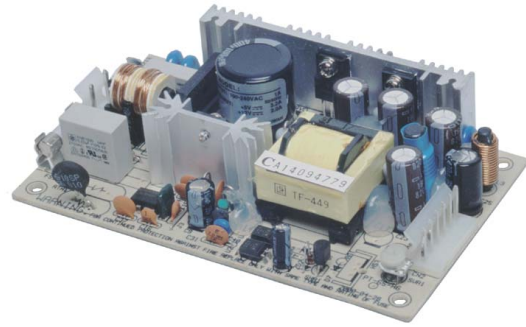


Features

- Universal AC input/Full range
- Low leakage current<0.5mA
- Protections:Short circuit/Over load/Over voltage
- Cooling by free air convection
- 100% full load burn-in test
- Fixed switching frequency at 65KHz
- 2 year warranty



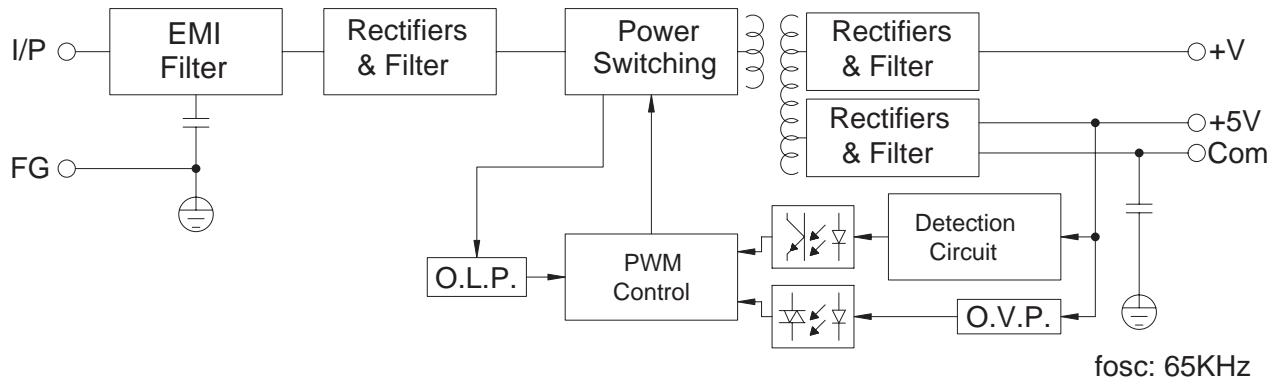
	CH1	CH2
DC output voltage	5V	24V
Output V. tolerance	±4%	±7%
Output rated current	3.2A	1.2A
Output current range	0.4-5A	0.2-1.8A
Ripple & noise	50mVp-p	150mVp-p
Line regulation	±1%	±2%
Load regulation	±3%	±4%
DC output power	65.5W	
Maximum output power	Rated output power for convection; 72W with 18 CFM min.	
Efficiency	78%	
DC voltage adj.	CH1:+10,-5%	
Input voltage range	90~264VAC 47~440Hz ; 120~370VDC	
AC current	1A/115V 0.7A/230V	
Inrush current	cold start 20A/115V 40A/230V	
Leakage current	<0.5mA	
Overload protection	53~75W output power type: Hiccup mode, recovers automatically after fault condition is removed	
Temperature coefficient	±0.04% / °C (0~50°C) ON +5V output	
Set up, rise, hold up time	800ms, 20ms, 20ms	
Vibration	10~500Hz, 2G 10 min./1 cycle, period of 60 min. each axes	
Withstand voltage	I/P-O/P: 3KVAC, I/P-FG: 1.5KVAC, O/P-FG: 0.5KVAC, for 1 min.	
Isolation resistance	I/P-O/P, I/P-FG, O/P-FG: 500VDC / 100M Ohms min.	
Working temp., humidity	-10°C~+60% (refer to output derating curve), 20%-90% RH	
Storage temp., humidity	-20°C~+85°C, 10%-95% RH	
Dimensions	5x3 x1.1 inches (127x76.2x28 mm)	
Weight	0.44 lb. (0.2 Kgs)	
Safety standards	UL1950, TUV EN60950	
EMC standards	CISPR22 (EN55022), IEC1000-4-2,3,4,5 IEC1000-3-2,3	

Notes:

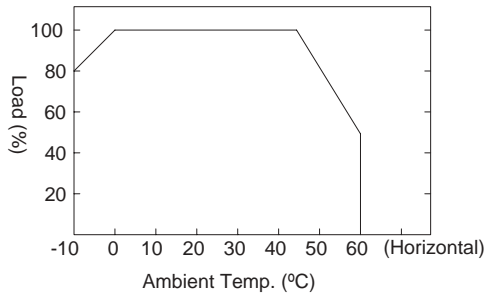
1. All parameters are specified at 230VAC input, rated load, 25°C 70% RH ambient
2. Tolerance includes set up tolerance, line regulation, load regulation
3. Ripple & noise are measured at 20MHz by using a 12" twisted pair terminated with a 0.1uF & 47 uF capacitor
4. Line regulation is measured from low line to high line at rated load
5. Output provided up to maximum current, but related to maximum output power
6. Each output provide up to maximum current, but total load cannot exceed max. output power
7. Mounting holes M1 and M2 should be grounded for purposes

*V-Infinity reserves the right to make changes to its products or to discontinue any product or service without notice, and to advise customers to verify the most up-to-date product information before placing orders. V-Infinity assumes no liability or responsibility for customer's applications using V-Infinity products other than repair or replacing (at V-I's option) V-Infinity products not meeting V-I's published specifications. Nothing will be covered outside of standard product warranty.

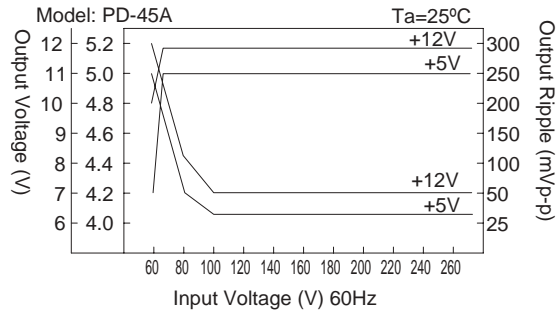
Block Diagram



Output Derating



Static Characteristics



Dimensions (mm)

Terminal Pin No. Assignment

- CN1: MOLEX 5277-02
- PIN 1,2: AC INPUT
- CN2: MOLEX 5273-06
- PIN 1: DC OUTPUT +V
- PIN 2,3: DC OUTPUT +5V
- PIN 4,5: DC OUTPUT COM
- PIN 6: DC OUTPUT N.C.

Mating Connectors

CN1,2 Mating Connector type Molex 5195 and 5239 series or equivalent with Molex 5194 and 5225 or equivalent crimp terminals.

