

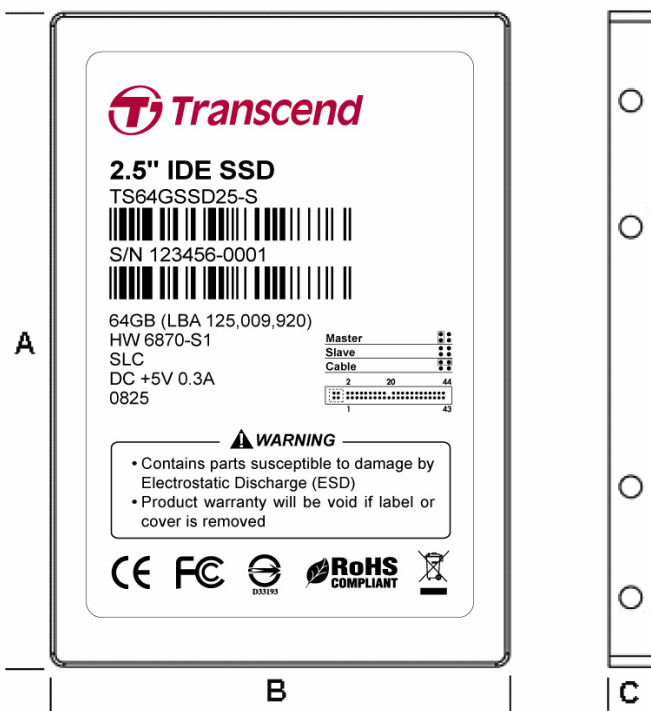
TS8GSSD25-S TS16GSSD25-S TS32GSSD25-S/M TS64GSSD25-M

2.5" Solid State Disk

Description

Due to smaller size (fit the standard dimensions of 2.5" IDE Hard Disk Drives), huge capacity, high speed, and low power consumption, Solid State Disk is perfect replacement storage device for PCs, Laptops, gaming systems, and handheld devices.

Placement



Features

- RoHS compliant
- Fully compatible with devices and OS that support the IDE standard (44-Pin, pitch = 2.00 mm)
- Non-volatile Flash Memory for outstanding data retention
- Built-in ECC (Error Correction Code) functionality and wear-leveling algorithm ensures highly reliable of data transfer
- Supports up to Ultra DMA Mode 5
- Shock resistance

Dimensions

Side	Millimeters	Inches
A	100.00 ± 0.40	3.937 ± 0.016
B	69.85 ± 0.20	2.750 ± 0.008
C	7.40 ± 0.15	0.292 ± 0.004

TS8GSSD25-S
TS16GSSD25-S
TS32GSSD25-S/M
TS64GSSD25-M

2.5" Solid State Disk

Specifications

Physical Specification		
Form Factor	2.5-inch HDD	
Storage Capacities	8 GB to 64 GB	
Dimensions (mm)	Length	100.0 0 ± 0.40
	Width	69.85 ± 0.20
	Height	7.40 ± 0.15
Input Voltage	3.3V/5V ± 5%	
Weight	80 g	
Connector	44-Pin standard IDE/ATA connector (Pitch 2.0 mm)	

Environmental Specifications	
Operating Temperature	0 °C to 70 °C
Storage Temperature	- 40 °C to 85 °C

Power Requirements			
Input Voltage	3.3V/5V ± 5%		
Mode		TYP (mA)	TYP (W)
Power Consumption (DC 5V @25°C)	Write	216	1.08
	Read	190	0.95
	Idle	158	0.79

Reliability	
Data Reliability	Support 8 Bytes ECC in 512 data bytes
Data Retention	10 years

Interface Specification	
Jumper Settings	Master/Slave/Cable-select Settings
ATA Compatibility	ATA/ATAPI 6
	UDMA Modes 5

TS8GSSD25-S
TS16GSSD25-S
TS32GSSD25-S/M
TS64GSSD25-M

2.5" Solid State Disk

Performance				
Model P/N	Read	Write	Random Read	Random Write
TS8GSSD25-S	57 MB/s	40 MB/s	43 MB/s	16 MB/s
TS16GSSD25-S	57 MB/s	38 MB/s	41 MB/s	15 MB/s
TS32GSSD25-S	57 MB/s	41 MB/s	44 MB/s	16 MB/s
TS32GSSD25-M	56 MB/s	23 MB/s	41 MB/s	8 MB/s
TS64GSSD25-M	56 MB/s	22 MB/s	41 MB/s	8 MB/s

* Note : 25 °C, according to 44 pin to 40 pin IDE transferring cable test on GIGABYTE GA-965PDS3, 1GB RAM, IDE interface support UDMA, Windows® XP Version 2002 SP2, benchmark utility HDBENCH (version 3.4006), copied file 100MB

Actual Capacity				
Model P/N	User Max. LBA	Cylinder	Head	Sector
TS8GSSD25-S	15,626,240	14,644	16	63
TS16GSSD25-S	31,252,480	16,383	16	63
TS32GSSD25-S	62,504,960	16,383	16	63
TS32GSSD25-M	62,504,960	16,383	16	63
TS64GSSD25-M	125,009,920	16,383	16	63

Regulations	
Compliance	CE, FCC and BSMI

Vibration	
Operating	3.0G, 5 - 800Hz
Non-Operating	3.0G, 5 - 800Hz

* Note: Reference to the IEC 60068-2-6 Testing procedures; Operating-Sine wave, 5-800Hz/1 oct., 1.5mm, 3g, 0.5 hr./axis, total 1.5 hrs.

Shock	
Operating	1500G, 0.5ms
Non-Operating	1500G, 0.5ms

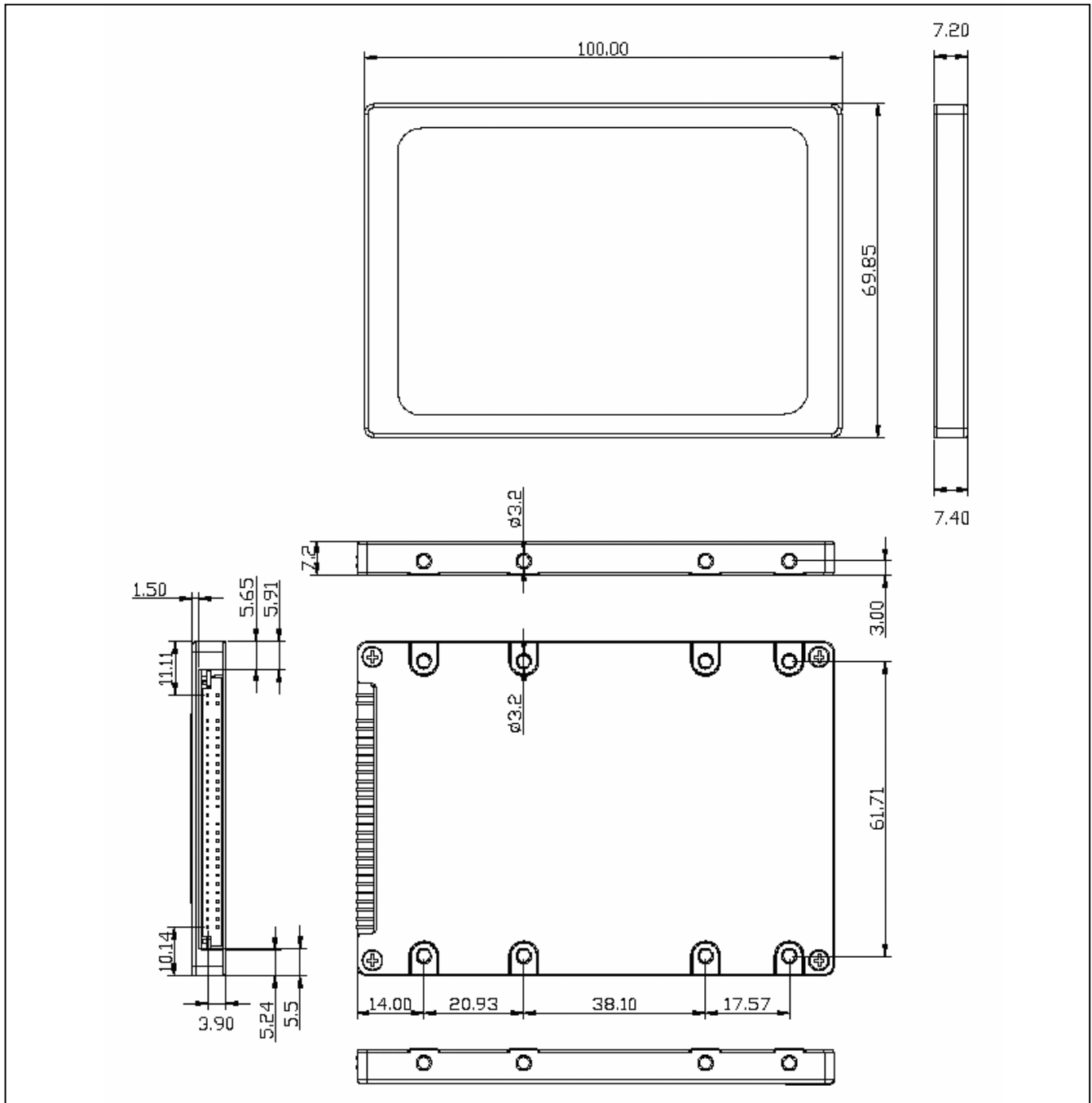
* Note: Reference to the IEC 60068-2-27 Testing procedures; Operating-Half-sine wave, 1500g, 0.5ms, 3 times/dir., total 18 times.

TS8GSSD25-S
TS16GSSD25-S
TS32GSSD25-S/M
TS64GSSD25-M

2.5" Solid State Disk

Package Dimensions

Below figure illustrates the Transcend 2.5" Solid State Disk. All dimensions are in mm.



TS8GSSD25-S
TS16GSSD25-S
TS32GSSD25-S/M
TS64GSSD25-M

2.5" Solid State Disk

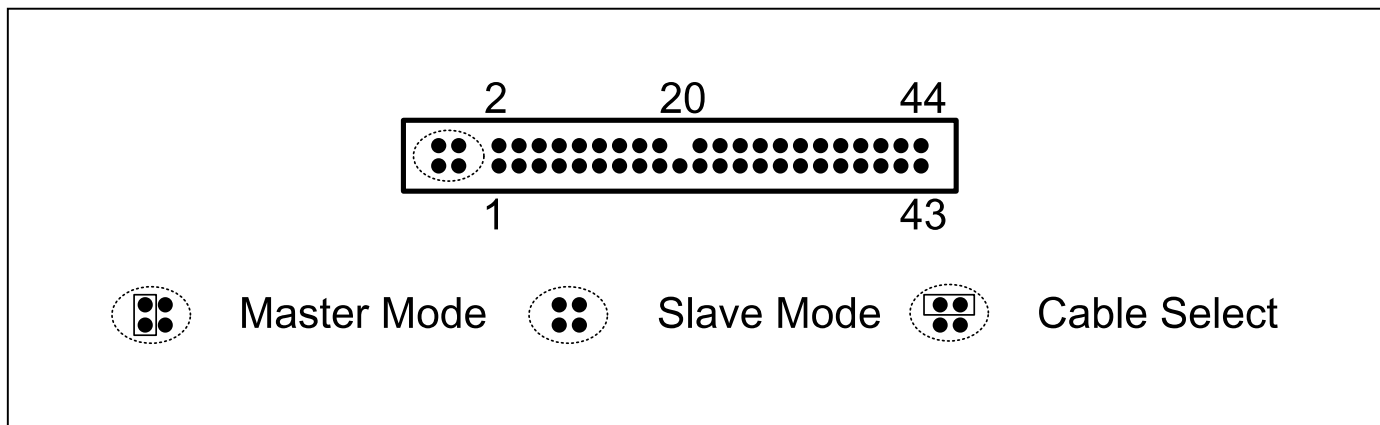
Pin Assignments

Pin No.	Pin Name	Pin No.	Pin Name
01	-RESET	02	GND
03	DD7	04	DD8
05	DD6	06	DD9
07	DD5	08	DD10
09	DD4	10	DD11
11	DD3	12	DD12
13	DD2	14	DD13
15	DD1	16	DD14
17	DD0	18	DD15
19	GND	20	KEY-PIN (OPEN)
21	DMARQ	22	GND
23	-DIOW : STOP	24	GND
25	-DIOR : -HDMARDY : HSTROBE	26	GND
27	IORDY : DDMARDY : DSTROBE	28	CSEL
29	-DMACK	30	GND
31	INTRQ	32	IOCS16B
33	DA1	34	-PDIAG : -CBLID
35	DA0	36	DA2
37	-CS0	38	-CS1
39	-DASP	40	GND
41	VCC	42	VCC
43	GND	44	NC (No Connect)

TS8GSSD25-S
TS16GSSD25-S
TS32GSSD25-S/M
TS64GSSD25-M

2.5" Solid State Disk

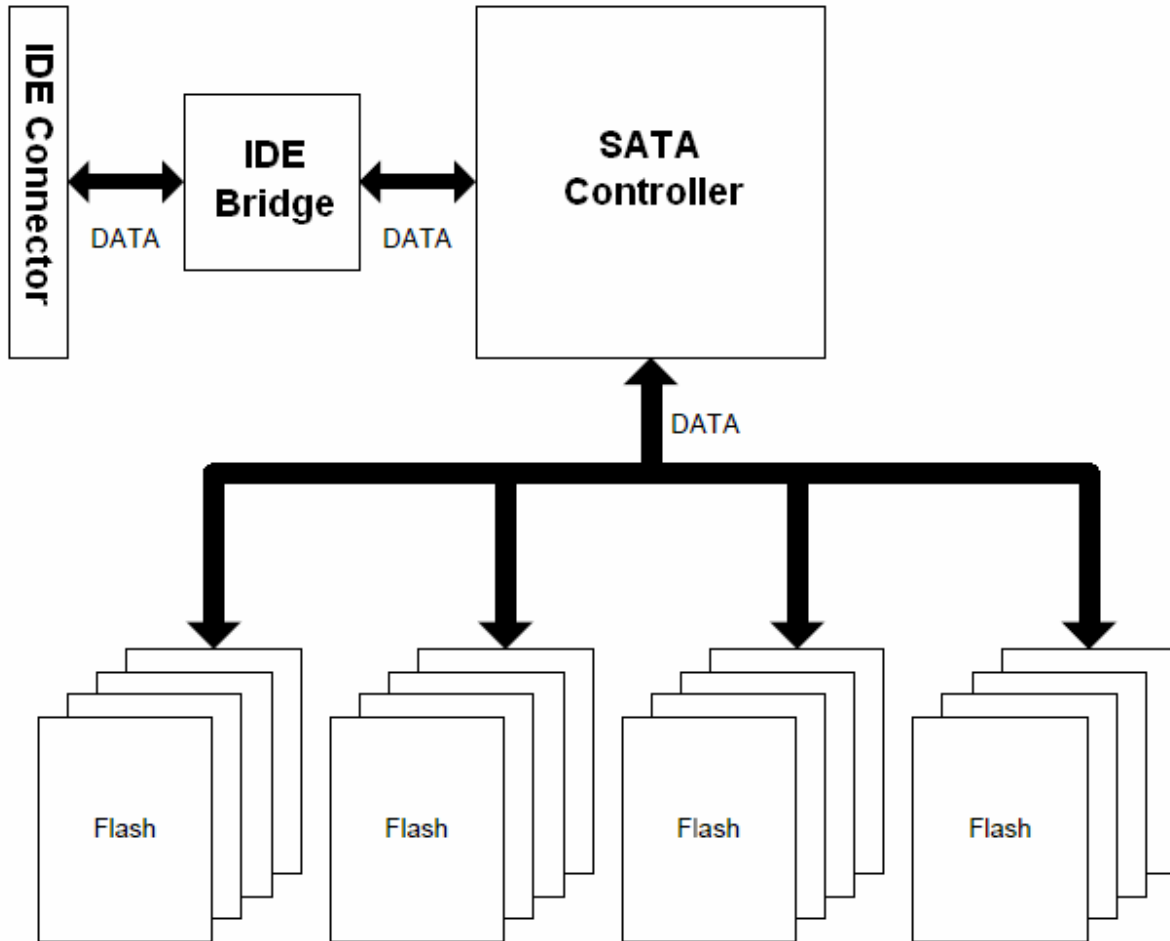
Pin Layout



TS8GSSD25-S
TS16GSSD25-S
TS32GSSD25-S/M
TS64GSSD25-M

2.5" Solid State Disk

Block Diagram



TS8GSSD25-S
TS16GSSD25-S
TS32GSSD25-S/M
TS64GSSD25-M

2.5" Solid State Disk

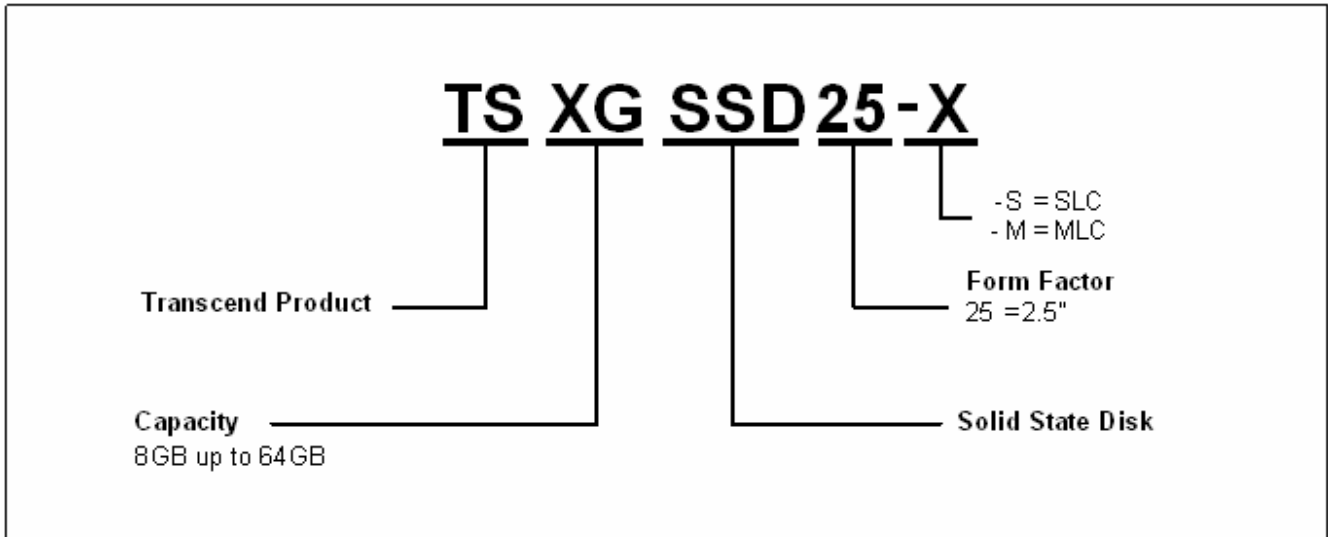
Command Set

Command Name	Code
RECALIBRATE	10h
READ SECTOR(S)	20h
WRITE SECTOR(S)	30h
READ VERIFY SECTOR(S)	40h
INITIALIZE DEVICE PARAMETERS	91h
DOWNLOAD MICRICODE	92h
SMART	B0h
READ MULTIPLE	C4h
WRITE MULTIPLE	C5h
SET MULTIPLE MODE	C6h
READ DMA	C8h
WRITE DMA	CAh
STANDBY IMMEDIATE	E0h
IDLE IMMEDIATE	E1h
STANDBY	E2h
IDLE	E3h
CHECK POWER MODE	E5h
SLEEP	E6h
FLUSH CACHE	E7h
IDENTIFY DEVICE	ECh
SET FEATURES	EFh

TS8GSSD25-S
TS16GSSD25-S
TS32GSSD25-S/M
TS64GSSD25-M

2.5" Solid State Disk

Ordering Information



The above technical information is based on industry standard data and has been tested to be reliable. However, Transcend makes no warranty, either expressed or implied, as to its accuracy and assumes no liability in connection with the use of this product. Transcend reserves the right to make changes to the specifications at any time without prior notice.



TAIWAN

No.70, XingZhong Rd., NeiHu Dist., Taipei, Taiwan, R.O.C
TEL +886-2-2792-8000
Fax +886-2-2793-2222
E-mail: sales@transcend.com.tw
www.transcend.com.tw

USA

Los Angeles:

E-mail: sales@transcendusa.com

Maryland:

E-mail: sales_md@transcendusa.com

www.transcendusa.com

CHINA

E-mail: sales@transcendchina.com

www.transcendchina.com

GERMANY

E-mail: vertrieb@transcend.de

www.transcend.de

HONG KONG

E-mail: sales@transcend.com.hk

www.transcendchina.com

JAPAN

E-mail: sales@transcend.co.jp

www.transcend.jp

THE NETHERLANDS

E-mail: sales@transcend.nl

www.transcend.nl

United Kingdom

E-mail: sales@transcend-uk.com

www.transcend-uk.com