

### DESCRIPTION

The 4518 Group is a 4-bit single-chip microcomputer designed with CMOS technology. Its CPU is that of the 4500 series using a simple, high-speed instruction set. The computer is equipped with serial interface, four 8-bit timers (each timer has one or two reload registers), a 10-bit A/D converter, interrupts, and oscillation circuit switch function.

The various microcomputers in the 4518 Group include variations of the built-in memory size as shown in the table below.

### FEATURES

- Minimum instruction execution time ..... 0.5  $\mu$ s  
(at 6 MHz oscillation frequency, in XIN through-mode)
- Supply voltage  
Mask ROM version ..... 1.8 to 5.5 V  
One Time PROM version ..... 2.5 to 5.5 V  
(It depends on operation source clock, oscillation frequency and operation mode)
- Timers  
Timer 1 ..... 8-bit timer with a reload register  
Timer 2 ..... 8-bit timer with a reload register  
Timer 3 ..... 8-bit timer with a reload register  
Timer 3 ..... 8-bit timer with two reload registers

- Interrupt ..... 8 sources
- Key-on wakeup function pins ..... 10
- Serial interface ..... 8 bits X 1
- A/D converter ..... 10-bit successive comparison method, 4ch
- Voltage drop detection circuit  
Reset occurrence ..... Typ. 3.5 V (Ta = 25 °C)  
Reset release ..... Typ. 3.7 V (Ta = 25 °C)
- Watchdog timer
- Clock generating circuit  
(ceramic resonator/RC oscillation/quartz-crystal oscillation/on-chip oscillator)
- LED drive directly enabled (port D)

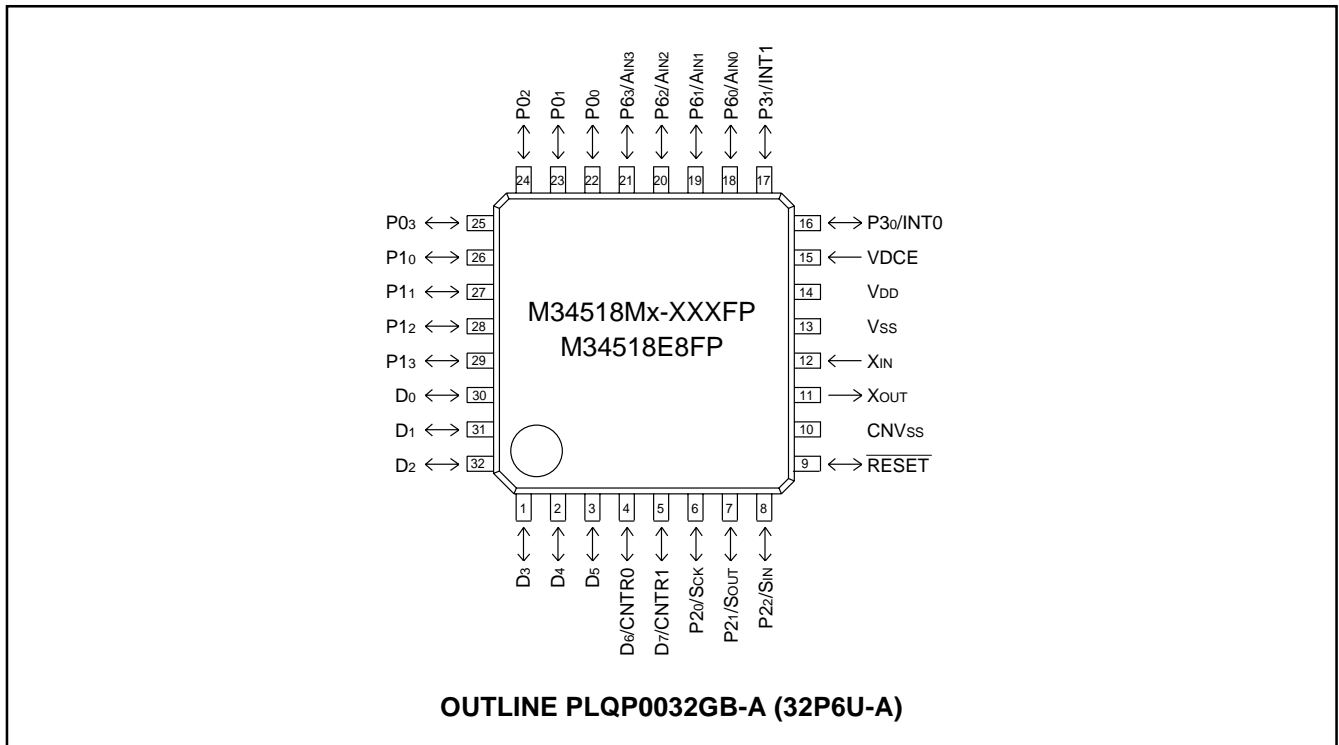
### APPLICATION

Electrical household appliance, consumer electronic products, office automation equipment, etc.

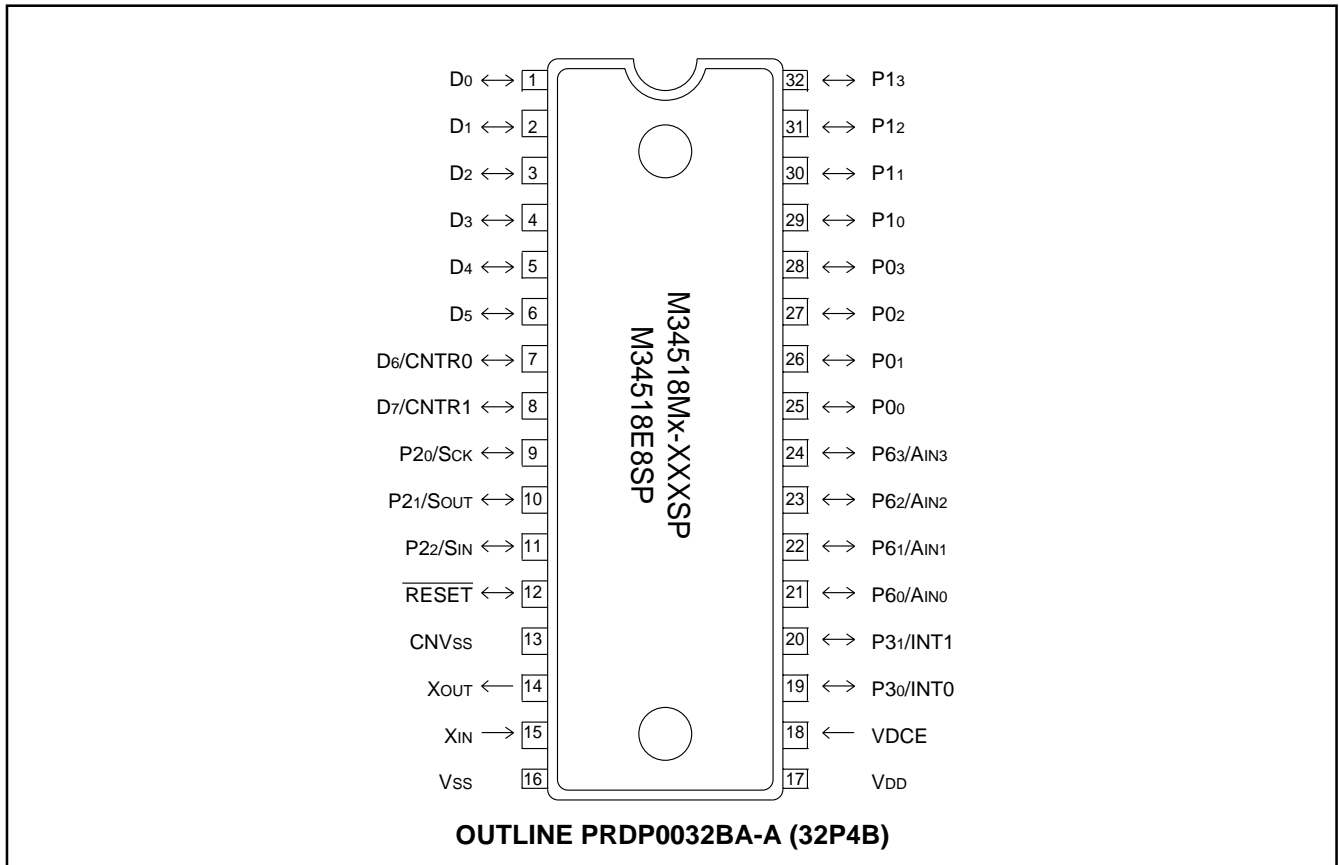
Part number	ROM (PROM) size (X 10 bits)	RAM size (X 4 bits)	Package	ROM type
M34518M2-XXXFP	2048 words	256 words	PLQP0032GB-A	Mask ROM
M34518M2-XXXSP	2048 words	256 words	PRDP0032BA-A	Mask ROM
M34518M4-XXXFP	4096 words	256 words	PLQP0032GB-A	Mask ROM
M34518M4-XXXSP	4096 words	256 words	PRDP0032BA-A	Mask ROM
M34518M6-XXXFP	6144 words	384 words	PLQP0032GB-A	Mask ROM
M34518M8-XXXFP	8192 words	384 words	PLQP0032GB-A	Mask ROM
M34518E8FP ( <b>Note</b> )	8192 words	384 words	PLQP0032GB-A	One Time PROM
M34518E8SP ( <b>Note</b> )	8192 words	384 words	PRDP0032BA-A	One Time PROM

**Note:** Shipped in blank.

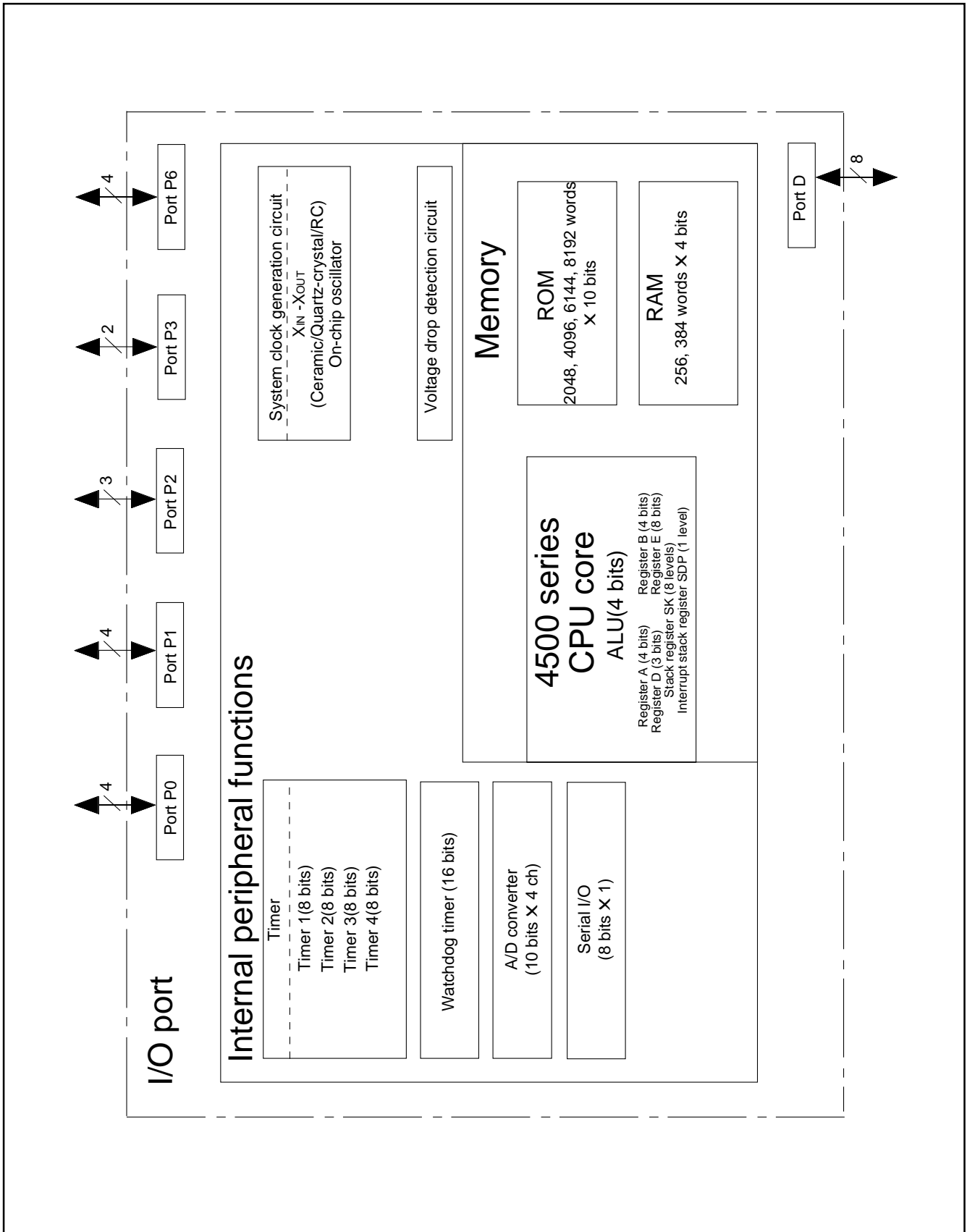
**PIN CONFIGURATION**



Pin configuration (top view) (4518 Group)



Pin configuration (top view) (4518 Group)



Block diagram (4518 Group)

## PERFORMANCE OVERVIEW

Parameter		Function	
Number of basic instructions		148	
Minimum instruction execution time		0.5 $\mu$ s (at 6.0 MHz oscillation frequency, in XIN through-mode)	
Memory sizes	ROM	M34518M2	2048 words X 10 bits
		M34518M4	4096 words X 10 bits
		M34518M6	6144 words X 10 bits
		M34518M8/E8	8192 words X 10 bits
	RAM	M34518M2/M4	256 words X 4 bits
		M34518M6/M8/E8	384 words X 4 bits
Input/Output ports	D0–D7	I/O (Input is examined by skip decision)	Eight independent I/O ports; Ports D6 and D7 are also used as CNTR0 and CNTR1, respectively. The output structure is switched by software.
	P00–P03	I/O	4-bit I/O port; a pull-up function, a key-on wakeup function and output structure can be switched by software.
	P10–P13	I/O	4-bit I/O port; a pull-up function, a key-on wakeup function and output structure can be switched by software.
	P20–P22	I/O	3-bit I/O port; ports P20, P21 and P22 are also used as SCK, SOUT and SIN, respectively.
	P30, P31	I/O	2-bit I/O port ; ports P30 and P31 are also used as INT0 and INT1, respectively.
	P60–P63	I/O	4-bit I/O port ; ports P60–P63 are also used as AIN0–AIN3, respectively.
Timers	Timer 1		8-bit timer with a reload register is also used as an event counter. Also, this is equipped with a period/pulse width measurement function.
	Timer 2		8-bit timer with a reload register.
	Timer 3		8-bit timer with a reload register is also used as an event counter.
	Timer 4		8-bit timer with two reload registers and PWM output function.
A/D converter		10-bit wide X 4 ch, This is equipped with an 8-bit comparator function.	
Serial I/O		8-bit X 1	
Interrupt	Sources		8 (two for external, four for timer, one for A/D, and one for serial I/O)
	Nesting		1 level
Subroutine nesting		8 levels	
Device structure		CMOS silicon gate	
Package		32-pin plastic molded LQFP (PLQP0032GB-A)/SDIP (PRDP0032BA-A)	
Operating temperature range		–20 °C to 85 °C	
Supply voltage	Mask ROM version		1.8 V to 5.5 V (It depends on operation source clock, oscillation frequency and operating mode.)
	One Time PROM version		2.5 V to 5.5 V (It depends on operation source clock, oscillation frequency and operating mode.)
Power dissipation (typical value)	Active mode		2.8 mA (Ta=25 °C, VDD=5V, f(XIN)=6 MHz, f(STCK)=f(XIN), on-chip oscillator stop)
			70 $\mu$ A (Ta=25 °C, VDD=5V, f(XIN)=32 kHz, f(STCK)=f(XIN), on-chip oscillator stop)
			150 $\mu$ A (Ta=25 °C, VDD=5V, on-chip oscillator is used, f(STCK)=f(RING), f(XIN) stop)
	RAM back-up mode		0.1 $\mu$ A (Ta=25 °C, VDD = 5 V, output transistors in the cut-off state)

## PIN DESCRIPTION

Pin	Name	Input/Output	Function
VDD	Power supply	—	Connected to a plus power supply.
VSS	Ground	—	Connected to a 0 V power supply.
CNVSS	CNVSS	—	Connect CNVSS to VSS and apply "L" (0V) to CNVSS certainly.
VDCE	Voltage drop detection circuit enable	Input	This pin is used to operate/stop the voltage drop detection circuit. When "H" level is input to this pin, the circuit starts operating. When "L" level is input to this pin, the circuit stops operating.
RESET	Reset input/output	I/O	An N-channel open-drain I/O pin for a system reset. When the SRST instruction, watchdog timer, the built-in power-on reset or the voltage drop detection circuit causes the system to be reset, the RESET pin outputs "L" level.
XIN	Main clock input	Input	I/O pins of the main clock generating circuit. When using a ceramic resonator, connect it between pins XIN and XOUT. When using a 32 kHz quartz-crystal oscillator, connect it between pins XIN and XOUT. A feedback resistor is built-in between them. When using the RC oscillation, connect a resistor and a capacitor to XIN, and leave XOUT pin open.
XOUT	Main clock output	Output	
D0–D7	I/O port D Input is examined by skip decision.	I/O	Each pin of port D has an independent 1-bit wide I/O function. The output structure can be switched to N-channel open-drain or CMOS by software. For input use, set the latch of the specified bit to "1" and select the N-channel open-drain. Ports D6, D7 is also used as CNTR0 pin and CNTR1 pin, respectively.
P00–P03	I/O port P0	I/O	Port P0 serves as a 4-bit I/O port. The output structure can be switched to N-channel open-drain or CMOS by software. For input use, set the latch of the specified bit to "1" and select the N-channel open-drain. Port P0 has a key-on wakeup function and a pull-up function. Both functions can be switched by software.
P10–P13	I/O port P1	I/O	Port P1 serves as a 4-bit I/O port. The output structure can be switched to N-channel open-drain or CMOS by software. For input use, set the latch of the specified bit to "1" and select the N-channel open-drain. Port P1 has a key-on wakeup function and a pull-up function. Both functions can be switched by software.
P20–P23	I/O port P2	I/O	Port P2 serves as a 3-bit I/O port. The output structure is N-channel open-drain. For input use, set the latch of the specified bit to "1". Ports P20–P22 are also used as SCK, SOUT, SIN, respectively.
P30–P33	I/O port P3	I/O	Port P3 serves as a 2-bit I/O port. The output structure is N-channel open-drain. For input use, set the latch of the specified bit to "1". Ports P30 and P31 are also used as INT0 pin and INT1 pin, respectively.
P60–P63	I/O port P6	I/O	Port P6 serves as a 4-bit I/O port. The output structure can be switched to N-channel open-drain. For input use, set the latch of the specified bit to "1". Ports P60–P63 are also used as AIN0–AIN3, respectively.
CNTR0, CNTR1	Timer input/output	I/O	CNTR0 pin has the function to input the clock for the timer 1 event counter, and to output the timer 1 or timer 2 underflow signal divided by 2. CNTR1 pin has the function to input the clock for the timer 3 event counter, and to output the PWM signal generated by timer 4. CNTR0 pin and CNTR1 pin are also used as Ports D6 and D7, respectively.
INT0, INT1	Interrupt input	Input	INT0 pin and INT1 pin accept external interrupts. They have the key-on wakeup function which can be switched by software. INT0 pin and INT1 pin are also used as Ports P30 and P31, respectively.
AIN0–AIN3	Analog input	Input	A/D converter analog input pins. AIN0–AIN3 are also used as ports P60–P63, respectively.
SCK	Serial I/O data I/O	I/O	Serial I/O data transfer synchronous clock I/O pin. SCK pin is also used as port P20..
SOUT	Serial I/O data output	Output	Serial I/O data output pin. SOUT pin is also used as port P21.
SIN	Serial I/O clock input	Input	Serial I/O data input pin. SIN pin is also used as port P22.

## MULTIFUNCTION

Pin	Multifunction	Pin	Multifunction	Pin	Multifunction	Pin	Multifunction
D6	CNTR0	CNTR0	D6	P60	AIN0	AIN0	P60
D7	CNTR1	CNTR1	D7	P61	AIN1	AIN1	P61
P20	SCK	SCK	P20	P62	AIN2	AIN2	P62
P21	SOUT	SOUT	P21	P63	AIN3	AIN3	P63
P22	SIN	SIN	P22				
P30	INT0	INT0	P30				
P31	INT1	INT1	P31				

Notes 1: Pins except above have just single function.

2: The input/output of P30 and P31 can be used even when INT0 and INT1 are selected.

3: The input of ports P20–P22 can be used even when SIN, SOUT and SCK are selected.

4: The input/output of D6 can be used even when CNTR0 (input) is selected.

5: The input of D6 can be used even when CNTR0 (output) is selected.

6: The input/output of D7 can be used even when CNTR1 (input) is selected.

7: The input of D7 can be used even when CNTR1 (output) is selected.

## DEFINITION OF CLOCK AND CYCLE

### ● Operation source clock

The operation source clock is the source clock to operate this product. In this product, the following clocks are used.

- Clock ( $f(X_{IN})$ ) by the external ceramic resonator
- Clock ( $f(X_{IN})$ ) by the external RC oscillation
- Clock ( $f(X_{IN})$ ) by the external input
- Clock ( $f(RING)$ ) of the on-chip oscillator which is the internal oscillator
- Clock ( $f(X_{IN})$ ) by the external quartz-crystal oscillation

### ● System clock (STCK)

The system clock is the basic clock for controlling this product. The system clock is selected by the clock control register MR shown as the table below.

### ● Instruction clock (INSTCK)

The instruction clock is the basic clock for controlling CPU. The instruction clock (INSTCK) is a signal derived by dividing the system clock (STCK) by 3. The one instruction clock cycle generates the one machine cycle.

### ● Machine cycle

The machine cycle is the standard cycle required to execute the instruction.

**Table Selection of system clock**

Register MR				System clock	Operation mode
MR3	MR2	MR1	MR0		
0	0	0	0	$f(STCK) = f(X_{IN})$	XIN through mode
		X	1	$f(STCK) = f(RING)$	Ring through mode
0	1	0	0	$f(STCK) = f(X_{IN})/2$	XIN divided by 2 mode
		X	1	$f(STCK) = f(RING)/2$	Ring divided by 2 mode
1	0	0	0	$f(STCK) = f(X_{IN})/4$	XIN divided by 4 mode
		X	1	$f(STCK) = f(RING)/4$	Ring divided by 4 mode
1	1	0	0	$f(STCK) = f(X_{IN})/8$	XIN divided by 8 mode
		X	1	$f(STCK) = f(RING)/8$	Ring divided by 8 mode

X: 0 or 1

**Note:** The  $f(RING)/8$  is selected after system is released from reset.

When on-chip oscillator clock is selected for main clock, set the on-chip oscillator to be operating state.

**PORT FUNCTION**

Port	Pin	Input Output	Output structure	I/O unit	Control instructions	Control registers	Remark
Port D	D0–D5 D6/CNTR0 D7/CNTR1	I/O (8)	N-channel open-drain/ CMOS	1	SD, RD SZD CLD	FR1, FR2 W6 W4	Output structure selection function (programmable)
Port P0	P00–P03	I/O (4)	N-channel open-drain/ CMOS	4	OP0A IAP0	FR0 PU0 K0, K1	Built-in programmable pull-up functions, key-on wakeup functions and output structure selection functions
Port P1	P10–P13	I/O (4)	N-channel open-drain/ CMOS	4	OP1A IAP1	FR0 PU1 K0	Built-in programmable pull-up functions, key-on wakeup functions and output structure selection functions
Port P2	P20/SCK, P21/SOUT P22/SIN	I/O (3)	N-channel open-drain	3	OP2A IAP2	J1	
Port P3	P30/INT0, P31/INT1	I/O (2)	N-channel open-drain	2	OP3A IAP3	I1, I2 K2	
Port P6	P60/AIN0–P63/AIN3	I/O (4)	N-channel open-drain	4	OP6A IAP6	Q2 Q1	

## CONNECTIONS OF UNUSED PINS

Pin	Connection	Usage condition
XIN	Open.	Internal oscillator is selected. (Note 1)
XOUT	Open.	Internal oscillator is selected. (Note 1) RC oscillator is selected. (Note 2) External clock input is selected for main clock. (Note 3)
D0–D5	Open.	
	Connect to Vss.	N-channel open-drain is selected for the output structure. (Note 4)
D6/CNTR0	Open.	CNTR0 input is not selected for timer 1 count source.
	Connect to Vss.	N-channel open-drain is selected for the output structure. (Note 4)
D7/CNTR1	Open.	CNTR1 input is not selected for timer 3 count source.
	Connect to Vss.	N-channel open-drain is selected for the output structure. (Note 4)
P00–P03	Open.	The key-on wakeup function is not selected. (Note 6)
	Connect to Vss.	N-channel open-drain is selected for the output structure. (Note 5)
		The pull-up function is not selected. (Note 4)
P10–P13	Open.	The key-on wakeup function is not selected. (Note 7)
	Connect to Vss.	N-channel open-drain is selected for the output structure. (Note 5)
		The pull-up function is not selected. (Note 4)
P20/SCK	Open.	SCK pin is not selected.
	Connect to Vss.	_____
P21/SOUT	Open.	_____
	Connect to Vss.	_____
P22/SIN	Open.	SIN pin is not selected.
	Connect to Vss.	_____
P30/INT0	Open.	"0" is set to output latch.
	Connect to Vss.	_____
P31/INT1	Open.	"0" is set to output latch.
	Connect to Vss.	_____
P60/AIN0–P63/AIN3	Open.	_____
	Connect to Vss.	_____

Notes 1: After system is released from reset, the internal oscillation (on-chip oscillator) is selected for system clock (RG0=0, MR0=1).

2: When the CRCK instruction is executed, the RC oscillation circuit becomes valid. Be careful that the switch of system clock is not executed at oscillation start only by the CRCK instruction execution.

In order to start oscillation, setting the main clock  $f(XIN)$  oscillation to be valid (MR1=0) is required. (If necessary, generate the oscillation stabilizing wait time by software.)

Also, when the main clock ( $f(XIN)$ ) is selected as system clock, set the main clock  $f(XIN)$  oscillation (MR1=0) to be valid, and select main clock  $f(XIN)$  (MR0=0). Be careful that the switch of system clock cannot be executed at the same time when main clock oscillation is started.

3: In order to use the external clock input for the main clock, select the ceramic resonance by executing the CMCK instruction at the beginning of software, and then set the main clock ( $f(XIN)$ ) oscillation to be valid (MR1=0). Until the main clock ( $f(XIN)$ ) oscillation becomes valid (MR1=0) after ceramic resonance becomes valid, XIN pin is fixed to "H". When an external clock is used, insert a 1 k $\Omega$  resistor to XIN pin in series for limits of current.

4: Be sure to select the output structure of ports D0–D5 and the pull-up function of P00–P03 and P10–P13 with every one port. Set the corresponding bits of registers for each port.

5: Be sure to select the output structure of ports P00–P03 and P10–P13 with every two ports. If only one of the two pins is used, leave another one open.

6: The key-on wakeup function is selected with every two bits. When only one of key-on wakeup function is used, considering that the value of key-on wake-up control register K1, set the unused 1-bit to "H" input (turn pull-up transistor ON and open) or "L" input (connect to Vss, or open and set the output latch to "0").

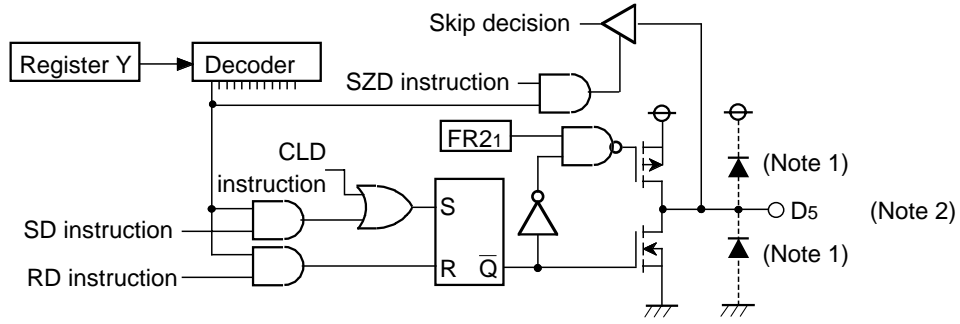
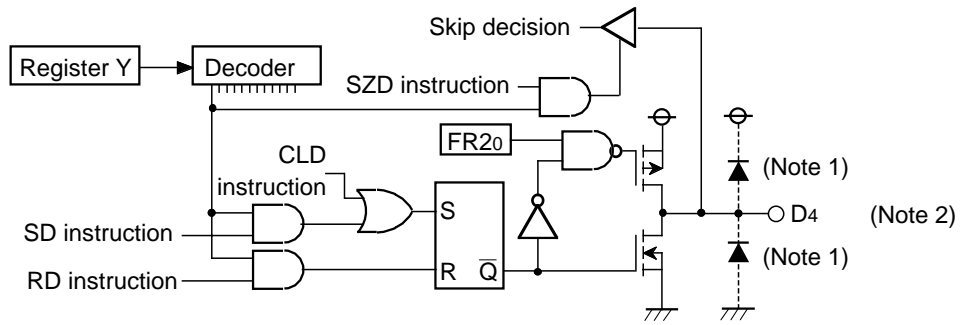
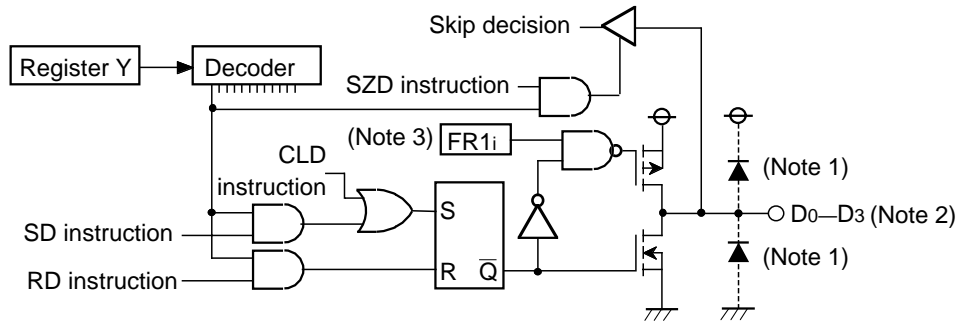
7: The key-on wakeup function is selected with every two bits. When one of key-on wakeup function is used, turn pull-up transistor of the unused one ON and open.

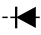
(Note when connecting to Vss and Vdd)

- Connect the unused pins to Vss and Vdd using the thickest wire at the shortest distance against noise.

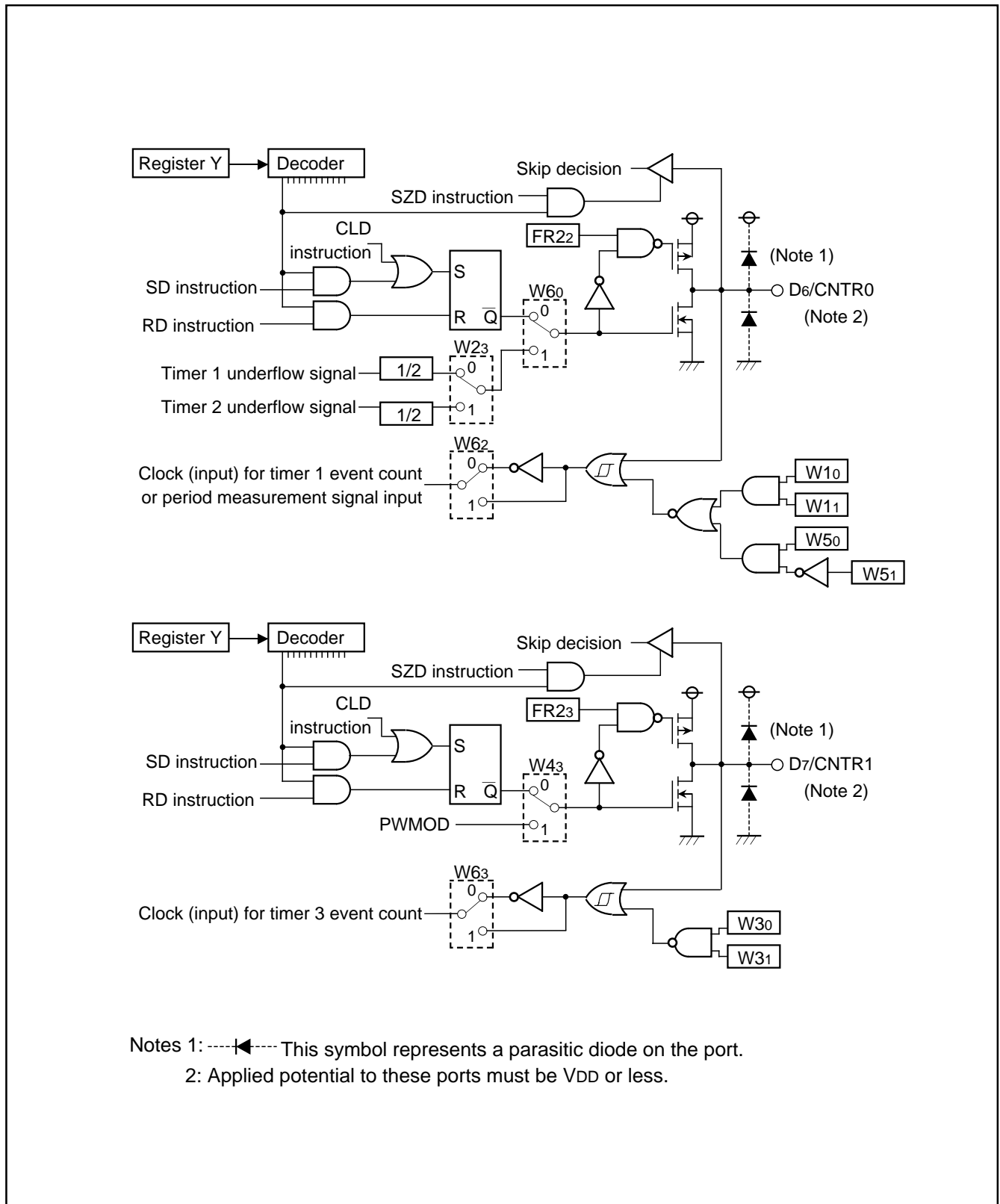


PORT BLOCK DIAGRAMS

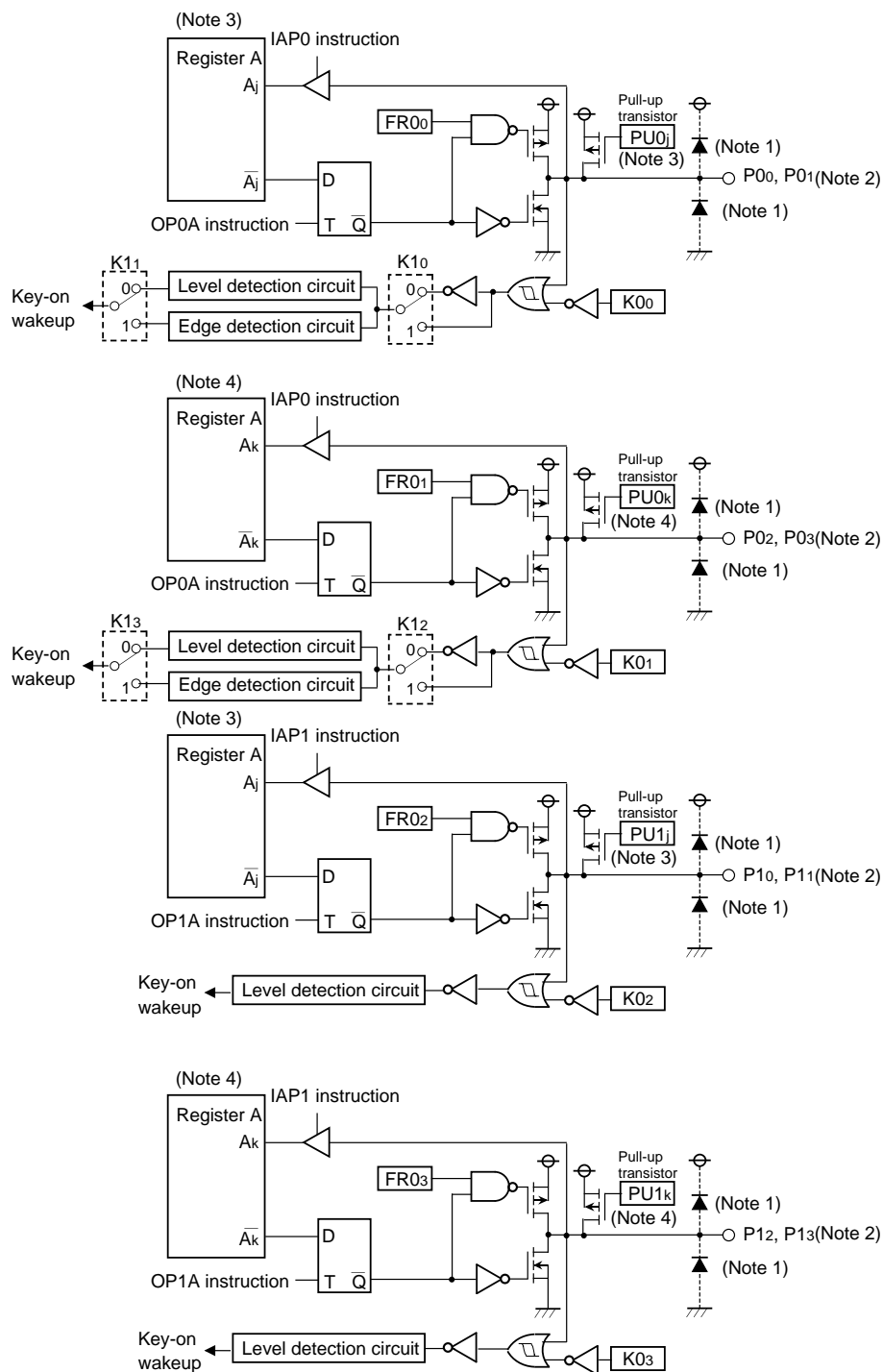


Notes 1:  This symbol represents a parasitic diode on the port.  
 2: Applied potential to these ports must be VDD or less.  
 3: i represents bits 0 to 3.

Port block diagram (1)

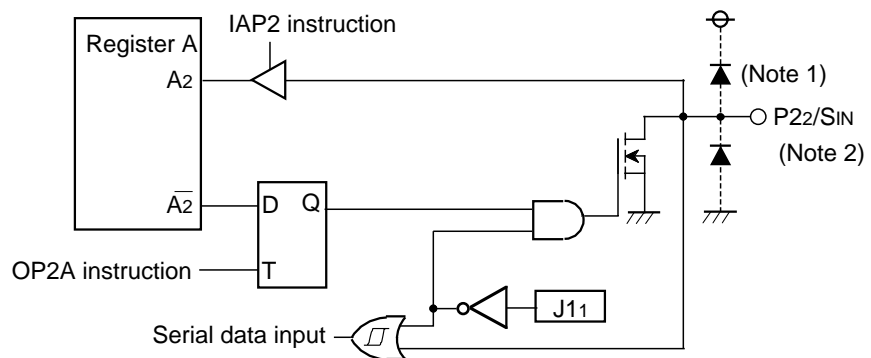
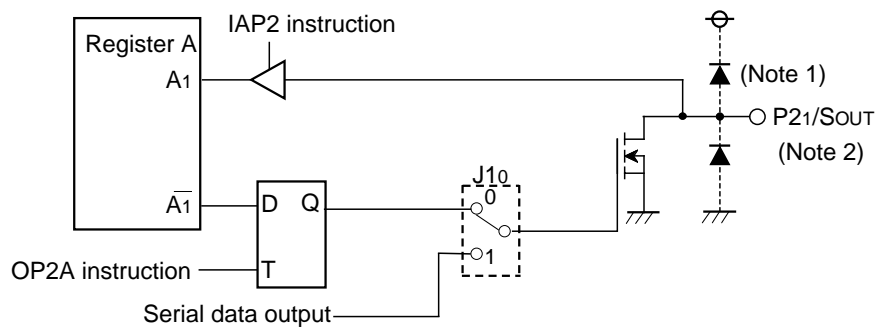
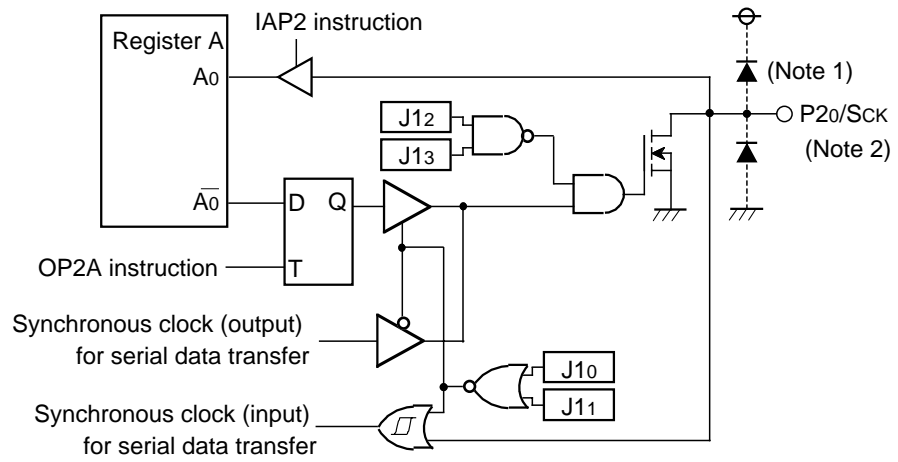



Port block diagram (2)



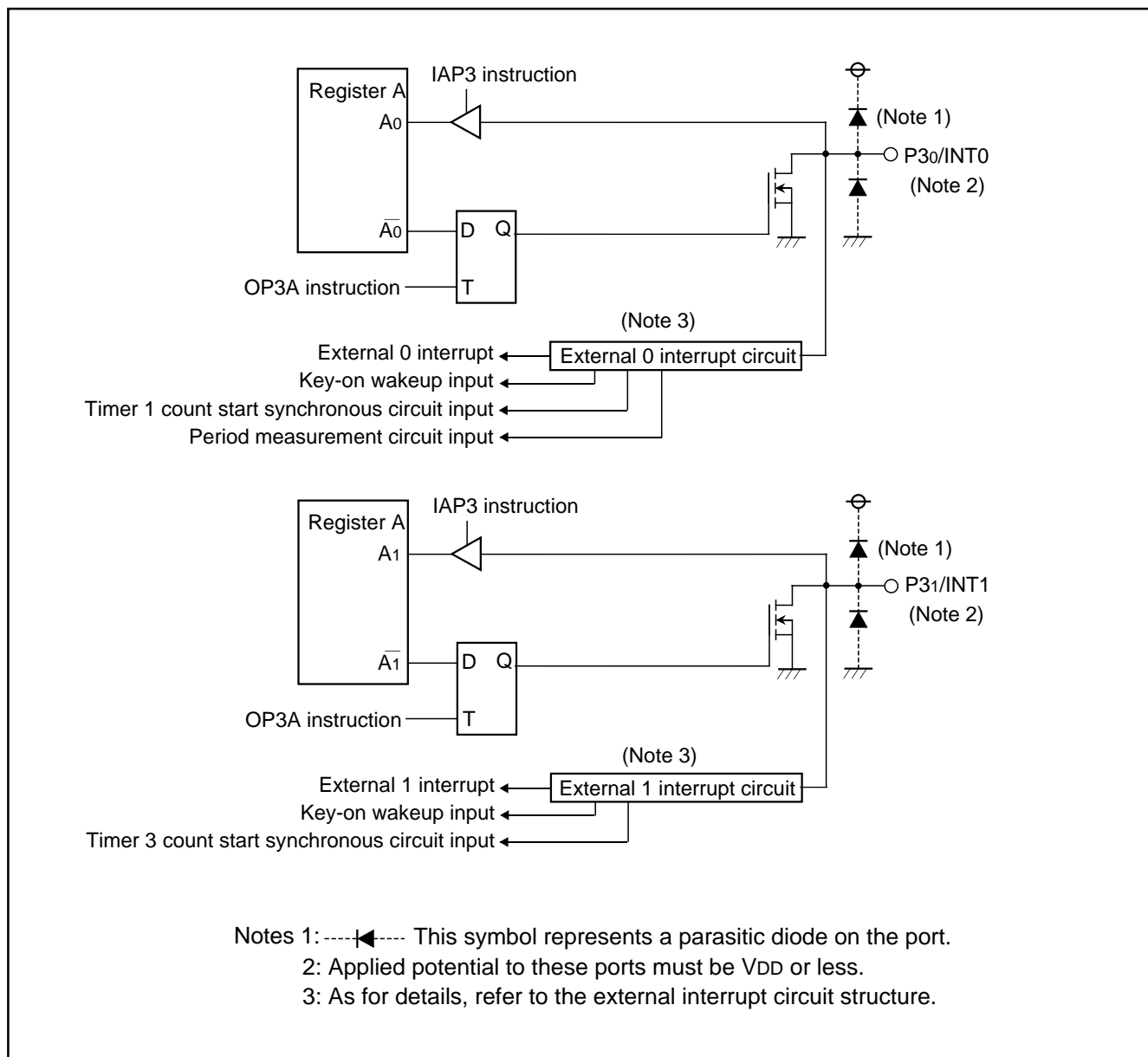
- Notes 1: This symbol represents a parasitic diode on the port.  
 2: Applied potential to these ports must be VDD or less.  
 3: j represents bits 0 and 1.  
 4: k represents bits 2 and 3.

Port block diagram (3)

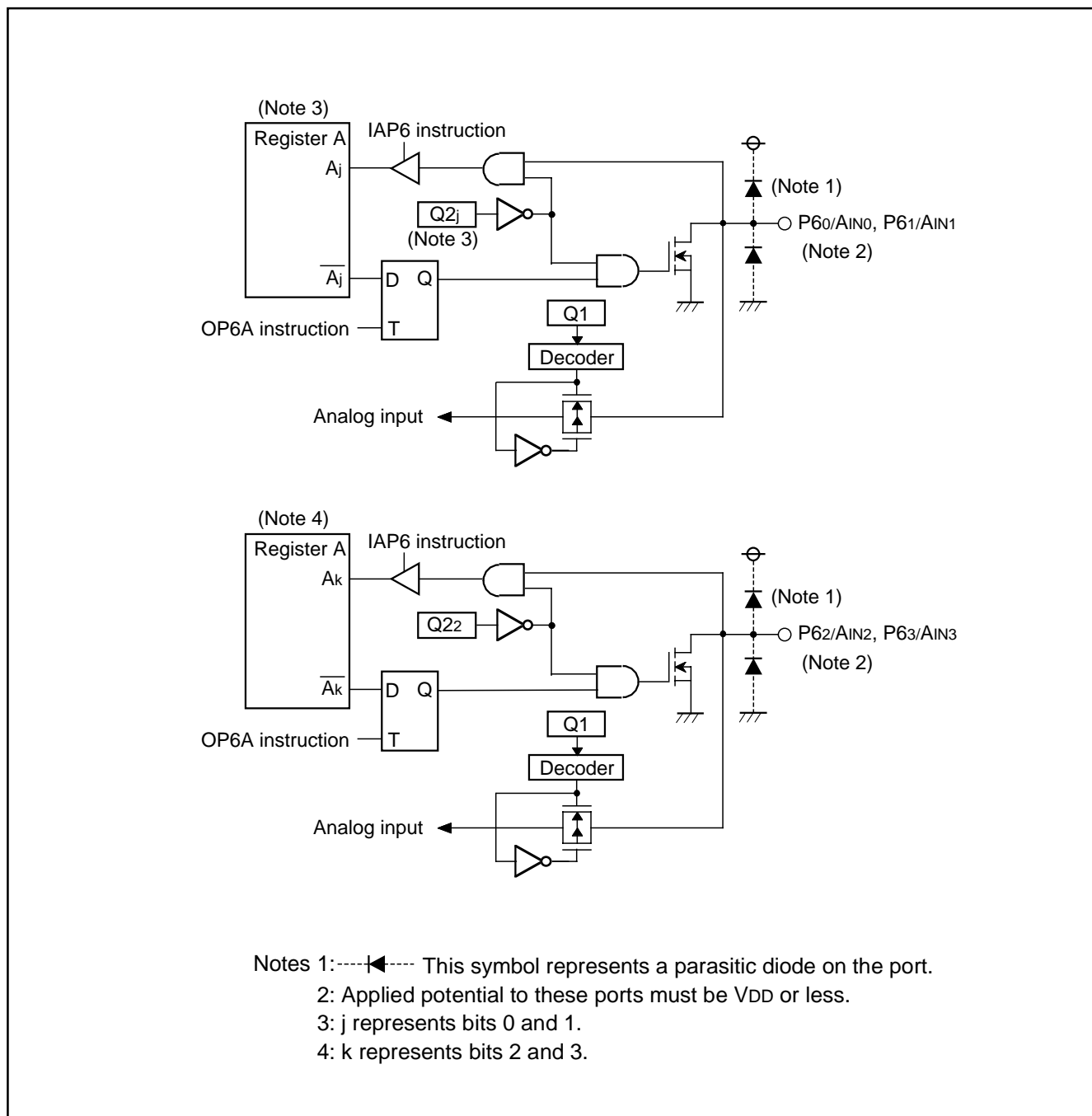


Notes 1:  This symbol represents a parasitic diode on the port.  
 2: Applied potential to these ports must be VDD or less.

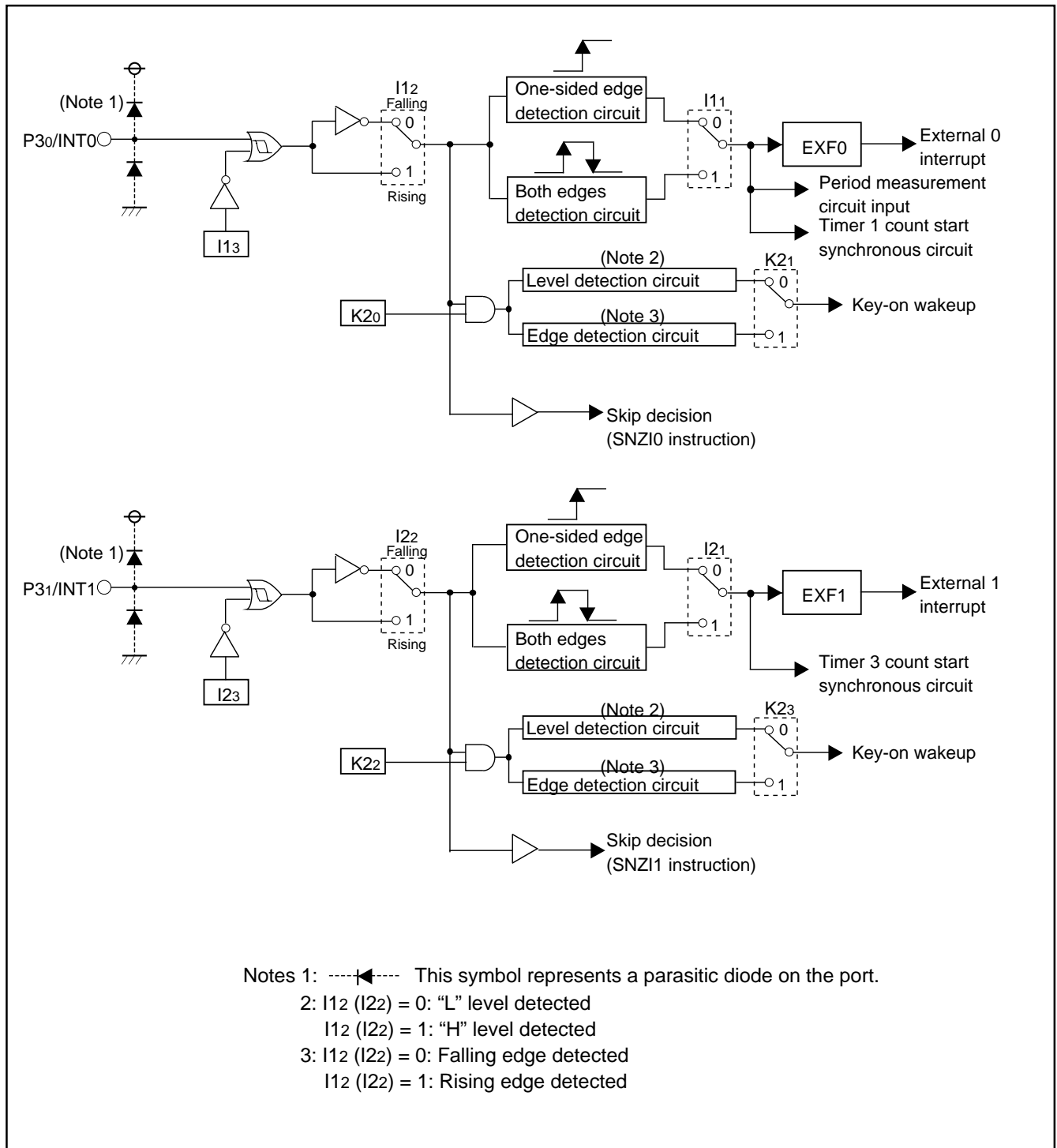
Port block diagram (4)



Port block diagram (5)



Port block diagram (6)



Port block diagram (7)

**FUNCTION BLOCK OPERATIONS CPU**

**(1) Arithmetic logic unit (ALU)**

The arithmetic logic unit ALU performs 4-bit arithmetic such as 4-bit data addition, comparison, AND operation, OR operation, and bit manipulation.

**(2) Register A and carry flag**

Register A is a 4-bit register used for arithmetic, transfer, exchange, and I/O operation.

Carry flag CY is a 1-bit flag that is set to "1" when there is a carry with the AMC instruction (Figure 1).

It is unchanged with both A n instruction and AM instruction. The value of A0 is stored in carry flag CY with the RAR instruction (Figure 2).

Carry flag CY can be set to "1" with the SC instruction and cleared to "0" with the RC instruction.

**(3) Registers B and E**

Register B is a 4-bit register used for temporary storage of 4-bit data, and for 8-bit data transfer together with register A.

Register E is an 8-bit register. It can be used for 8-bit data transfer with register B used as the high-order 4 bits and register A as the low-order 4 bits (Figure 3).

Register E is undefined after system is released from reset and returned from the RAM back-up. Accordingly, set the initial value.

**(4) Register D**

Register D is a 3-bit register.

It is used to store a 7-bit ROM address together with register A and is used as a pointer within the specified page when the TABP p, BLA p, or BMLA p instruction is executed. Also, when the TABP p instruction is executed, the high-order 2 bits of the reference data in ROM is stored to the low-order 2 bits of register D, and the contents of the high-order 1 bit of register D is "0". (Figure 4).

Register D is undefined after system is released from reset and returned from the RAM back-up. Accordingly, set the initial value.

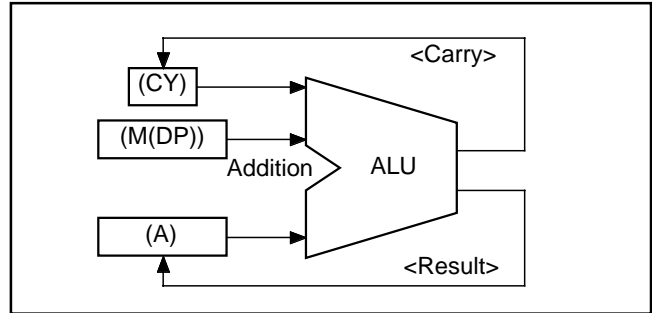


Fig. 1 AMC instruction execution example

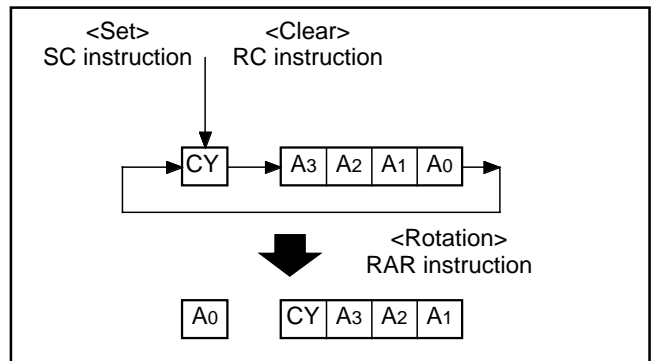


Fig. 2 RAR instruction execution example

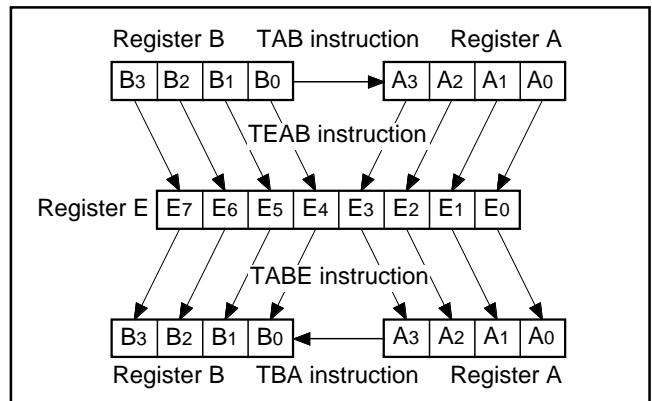


Fig. 3 Registers A, B and register E

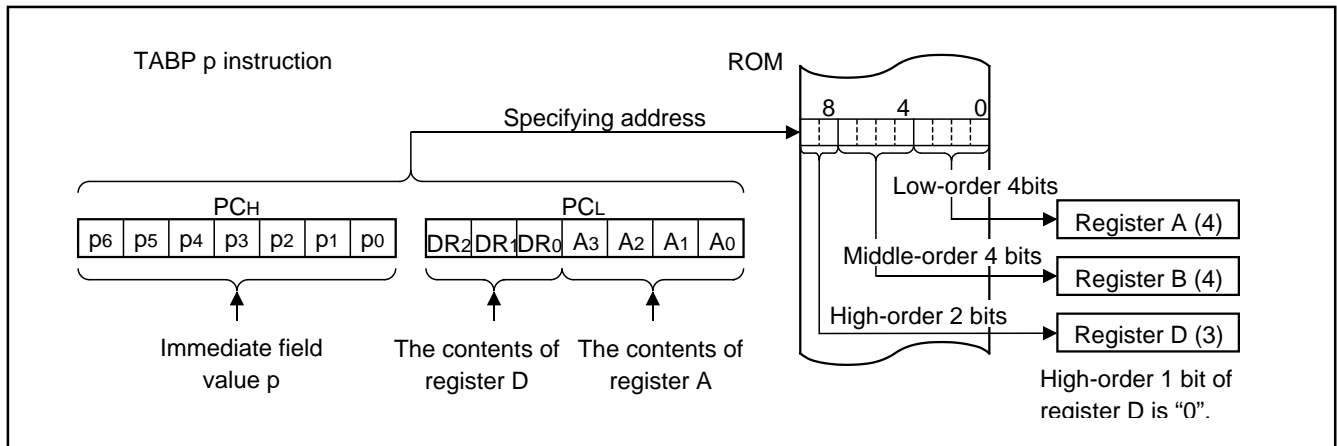


Fig. 4 TABP p instruction execution example



### (5) Stack registers (SKs) and stack pointer (SP)

Stack registers (SKs) are used to temporarily store the contents of program counter (PC) just before branching until returning to the original routine when;

- branching to an interrupt service routine (referred to as an interrupt service routine),
- performing a subroutine call, or
- executing the table reference instruction (TABP p).

Stack registers (SKs) are eight identical registers, so that subroutines can be nested up to 8 levels. However, one of stack registers is used respectively when using an interrupt service routine and when executing a table reference instruction. Accordingly, be careful not to over the stack when performing these operations together. The contents of registers SKs are destroyed when 8 levels are exceeded.

The register SK nesting level is pointed automatically by 3-bit stack pointer (SP). The contents of the stack pointer (SP) can be transferred to register A with the TASP instruction.

Figure 5 shows the stack registers (SKs) structure.

Figure 6 shows the example of operation at subroutine call.

### (6) Interrupt stack register (SDP)

Interrupt stack register (SDP) is a 1-stage register. When an interrupt occurs, this register (SDP) is used to temporarily store the contents of data pointer, carry flag, skip flag, register A, and register B just before an interrupt until returning to the original routine.

Unlike the stack registers (SKs), this register (SDP) is not used when executing the subroutine call instruction and the table reference instruction.

### (7) Skip flag

Skip flag controls skip decision for the conditional skip instructions and continuous described skip instructions. When an interrupt occurs, the contents of skip flag is stored automatically in the interrupt stack register (SDP) and the skip condition is retained.

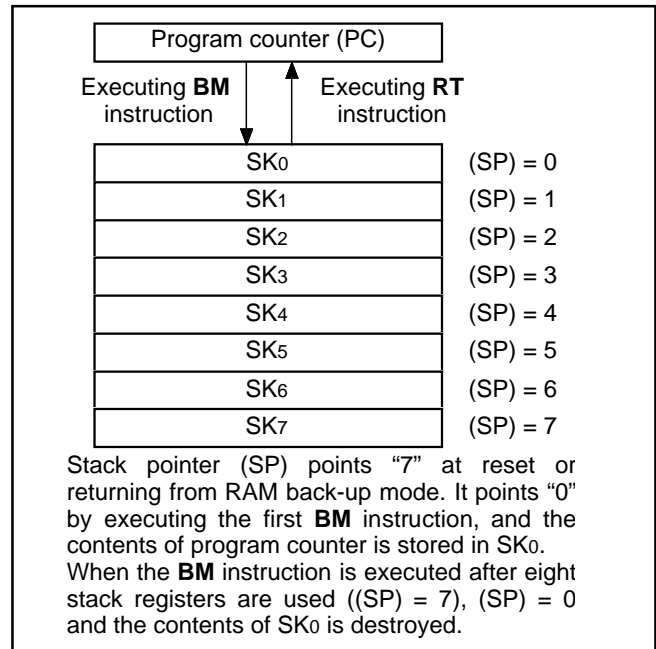


Fig. 5 Stack registers (SKs) structure

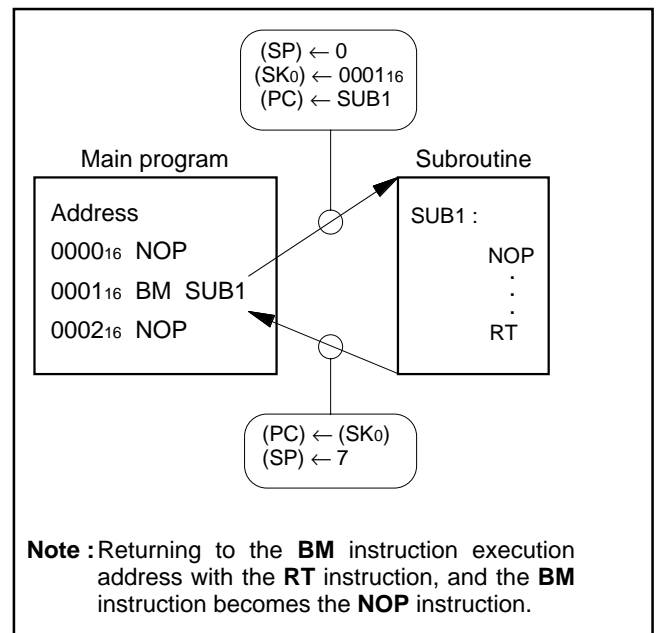


Fig. 6 Example of operation at subroutine call

### (8) Program counter (PC)

Program counter (PC) is used to specify a ROM address (page and address). It determines a sequence in which instructions stored in ROM are read. It is a binary counter that increments the number of instruction bytes each time an instruction is executed. However, the value changes to a specified address when branch instructions, subroutine call instructions, return instructions, or the table reference instruction (TABP p) is executed.

Program counter consists of PCH (most significant bit to bit 7) which specifies to a ROM page and PCL (bits 6 to 0) which specifies an address within a page. After it reaches the last address (address 127) of a page, it specifies address 0 of the next page (Figure 7).

Make sure that the PCH does not specify after the last page of the built-in ROM.

### (9) Data pointer (DP)

Data pointer (DP) is used to specify a RAM address and consists of registers Z, X, and Y. Register Z specifies a RAM file group, register X specifies a file, and register Y specifies a RAM digit (Figure 8).

Register Y is also used to specify the port D bit position. When using port D, set the port D bit position to register Y certainly and execute the SD, RD, or SZD instruction (Figure 9).

• Note

Register Z of data pointer is undefined after system is released from reset.

Also, registers Z, X and Y are undefined in the RAM back-up. After system is returned from the RAM back-up, set these registers.

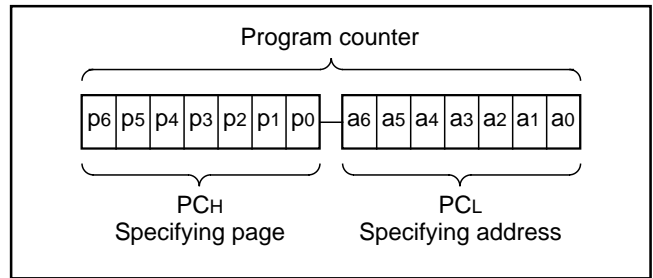


Fig. 7 Program counter (PC) structure

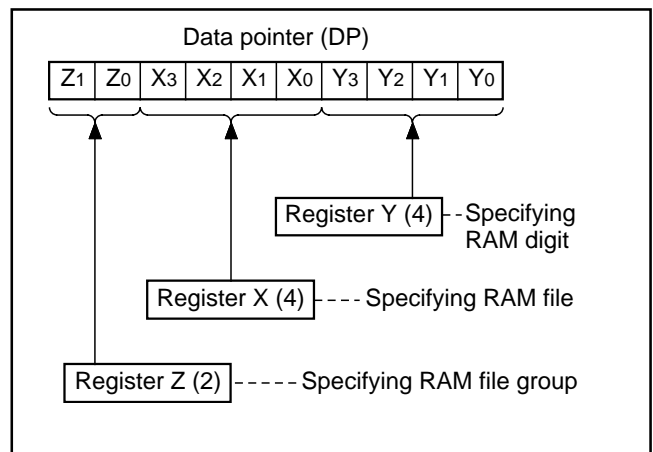


Fig. 8 Data pointer (DP) structure

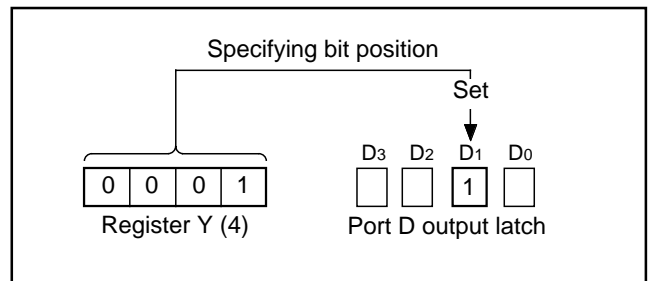


Fig. 9 SD instruction execution example

### PROGRAM MEMORY (ROM)

The program memory is a mask ROM. 1 word of ROM is composed of 10 bits. ROM is separated every 128 words by the unit of page (addresses 0 to 127). Table 1 shows the ROM size and pages. Figure 10 shows the ROM map of M34518M8/E8.

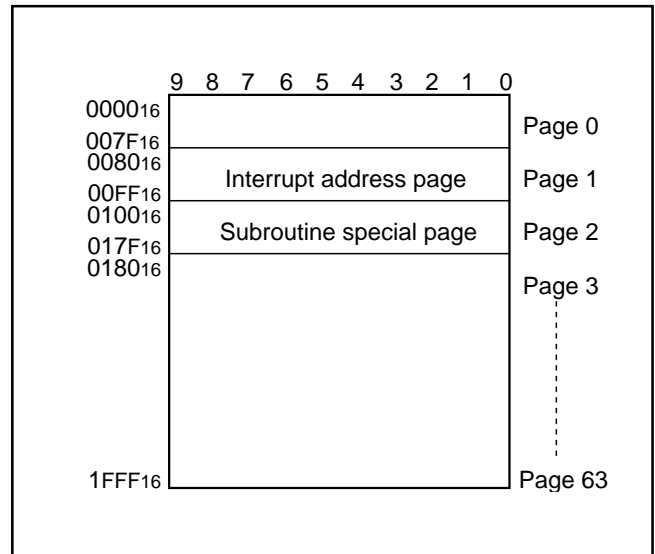
**Table 1 ROM size and pages**

Part number	ROM (PROM) size (X 10 bits)	Pages
M34518M2	2048 words	16 (0 to 15)
M34518M4	4096 words	32 (0 to 31)
M34518M6	6144 words	48 (0 to 47)
M34518M8/E8	8192 words	64 (0 to 63)

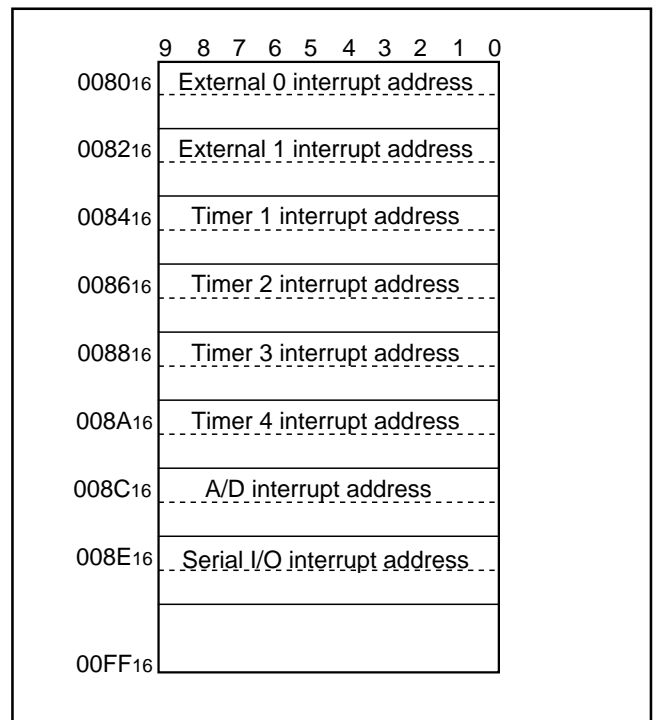
A part of page 1 (addresses 0080<sub>16</sub> to 00FF<sub>16</sub>) is reserved for interrupt addresses (Figure 11). When an interrupt occurs, the address (interrupt address) corresponding to each interrupt is set in the program counter, and the instruction at the interrupt address is executed. When using an interrupt service routine, write the instruction generating the branch to that routine at an interrupt address.

Page 2 (addresses 0100<sub>16</sub> to 017F<sub>16</sub>) is the special page for subroutine calls. Subroutines written in this page can be called from any page with the 1-word instruction (BM). Subroutines extending from page 2 to another page can also be called with the BM instruction when it starts on page 2.

ROM pattern (bits 9 to 0) of all addresses can be used as data areas with the TABP p instruction.



**Fig. 10 ROM map of M34518M8/E8**



**Fig. 11 Page 1 (addresses 0080<sub>16</sub> to 00FF<sub>16</sub>) structure**

### DATA MEMORY (RAM)

1 word of RAM is composed of 4 bits, but 1-bit manipulation (with the SB j, RB j, and SZB j instructions) is enabled for the entire memory area. A RAM address is specified by a data pointer. The data pointer consists of registers Z, X, and Y. Set a value to the data pointer certainly when executing an instruction to access RAM (also, set a value after system returns from RAM back-up). Table 2 shows the RAM size. Figure 12 shows the RAM map.

**Table 2 RAM size**

Part number	RAM size
M34518M2/M4	256 words X 4 bits (1024 bits)
M34518M6/M8/E8	384 words X 4 bits (1536 bits)

• Note

Register Z of data pointer is undefined after system is released from reset.

Also, registers Z, X and Y are undefined in the RAM back-up. After system is returned from the RAM back-up, set these registers.

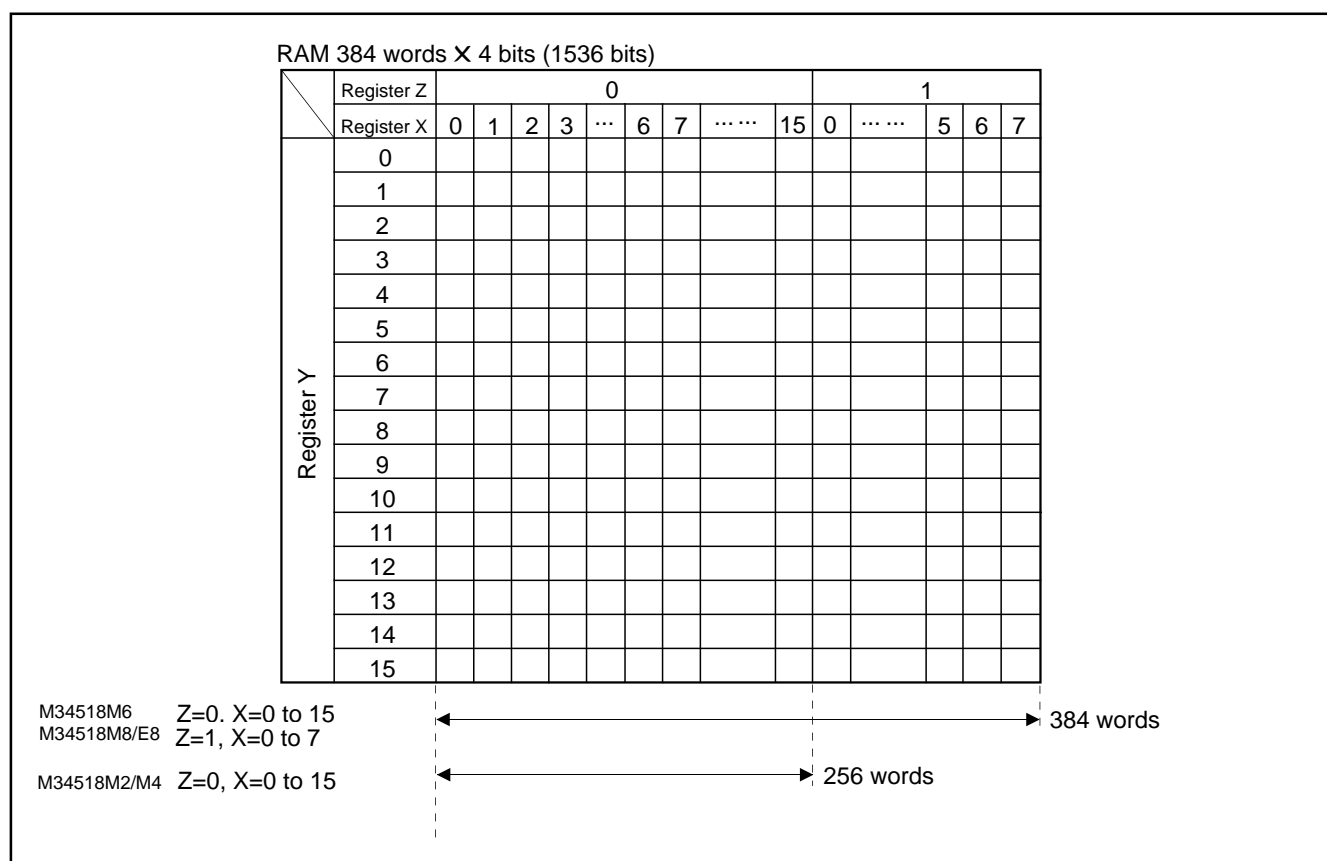


Fig. 12 RAM map

## INTERRUPT FUNCTION

The interrupt type is a vectored interrupt branching to an individual address (interrupt address) according to each interrupt source. An interrupt occurs when the following 3 conditions are satisfied.

- An interrupt activated condition is satisfied (request flag = "1")
- Interrupt enable bit is enabled ("1")
- Interrupt enable flag is enabled (INTE = "1")

Table 3 shows interrupt sources. (Refer to each interrupt request flag for details of activated conditions.)

### (1) Interrupt enable flag (INTE)

The interrupt enable flag (INTE) controls whether the every interrupt enable/disable. Interrupts are enabled when INTE flag is set to "1" with the EI instruction and disabled when INTE flag is cleared to "0" with the DI instruction. When any interrupt occurs, the INTE flag is automatically cleared to "0," so that other interrupts are disabled until the EI instruction is executed.

### (2) Interrupt enable bit

Use an interrupt enable bit of interrupt control registers V1 and V2 to select the corresponding interrupt or skip instruction.

Table 4 shows the interrupt request flag, interrupt enable bit and skip instruction.

Table 5 shows the interrupt enable bit function.

### (3) Interrupt request flag

When the activated condition for each interrupt is satisfied, the corresponding interrupt request flag is set to "1." Each interrupt request flag is cleared to "0" when either;

- an interrupt occurs, or
- the next instruction is skipped with a skip instruction.

Each interrupt request flag is set when the activated condition is satisfied even if the interrupt is disabled by the INTE flag or its interrupt enable bit. Once set, the interrupt request flag retains set until a clear condition is satisfied.

Accordingly, an interrupt occurs when the interrupt disable state is released while the interrupt request flag is set.

If more than one interrupt request flag is set when the interrupt disable state is released, the interrupt priority level is as follows shown in Table 3.

**Table 3 Interrupt sources**

Priority level	Interrupt name	Activated condition	Interrupt address
1	External 0 interrupt	Level change of INT0 pin	Address 0 in page 1
2	External 1 interrupt	Level change of INT1 pin	Address 2 in page 1
3	Timer 1 interrupt	Timer 1 underflow	Address 4 in page 1
4	Timer 2 interrupt	Timer 2 underflow	Address 6 in page 1
5	Timer 3 interrupt	Timer 3 underflow	Address 8 in page 1
6	Timer 4 interrupt	Timer 4 underflow	Address A in page 1
7	A/D interrupt	Completion of A/D conversion	Address C in page 1
8	Serial I/O interrupt	Completion of serial I/O transmit/receive	Address E in page 1

**Table 4 Interrupt request flag, interrupt enable bit and skip instruction**

Interrupt name	Interrupt request flag	Skip instruction	Interrupt enable bit
External 0 interrupt	EXF0	SNZ0	V10
External 1 interrupt	EXF1	SNZ1	V11
Timer 1 interrupt	T1F	SNZT1	V12
Timer 2 interrupt	T2F	SNZT2	V13
Timer 3 interrupt	T3F	SNZT3	V20
Timer 4 interrupt	T4F	SNZT4	V21
A/D interrupt	ADF	SNZAD	V22
Serial I/O interrupt	SIOF	SNZSI	V23

**Table 5 Interrupt enable bit function**

Interrupt enable bit	Occurrence of interrupt	Skip instruction
1	Enabled	Invalid
0	Disabled	Valid

### (4) Internal state during an interrupt

The internal state of the microcomputer during an interrupt is as follows (Figure 14).

- Program counter (PC)  
An interrupt address is set in program counter. The address to be executed when returning to the main routine is automatically stored in the stack register (SK).
- Interrupt enable flag (INTE)  
INTE flag is cleared to "0" so that interrupts are disabled.
- Interrupt request flag  
Only the request flag for the current interrupt source is cleared to "0."
- Data pointer, carry flag, skip flag, registers A and B  
The contents of these registers and flags are stored automatically in the interrupt stack register (SDP).

### (5) Interrupt processing

When an interrupt occurs, a program at an interrupt address is executed after branching a data store sequence to stack register. Write the branch instruction to an interrupt service routine at an interrupt address.

Use the RTI instruction to return from an interrupt service routine. Interrupt enabled by executing the EI instruction is performed after executing 1 instruction (just after the next instruction is executed). Accordingly, when the EI instruction is executed just before the RTI instruction, interrupts are enabled after returning the main routine. (Refer to Figure 13)

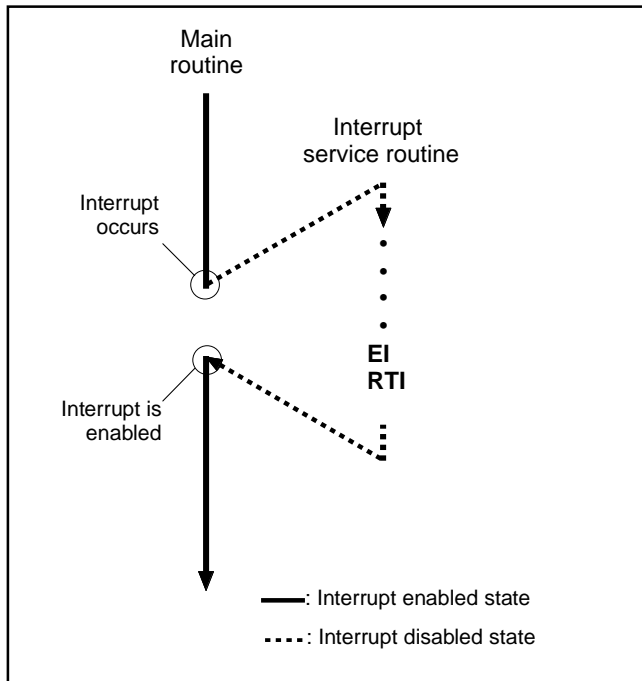


Fig. 13 Program example of interrupt processing

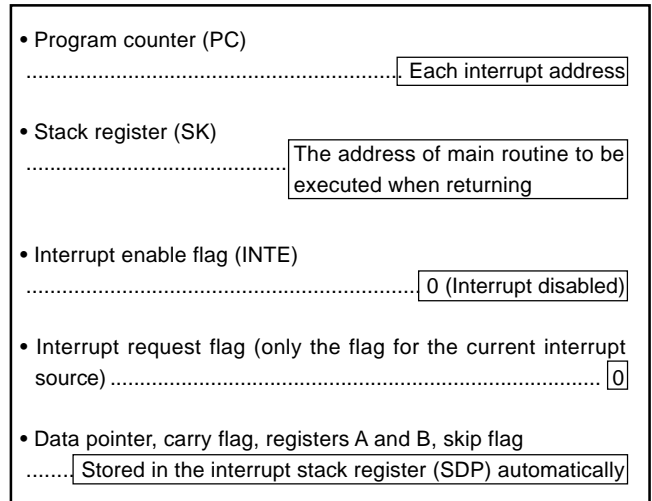


Fig. 14 Internal state when interrupt occurs

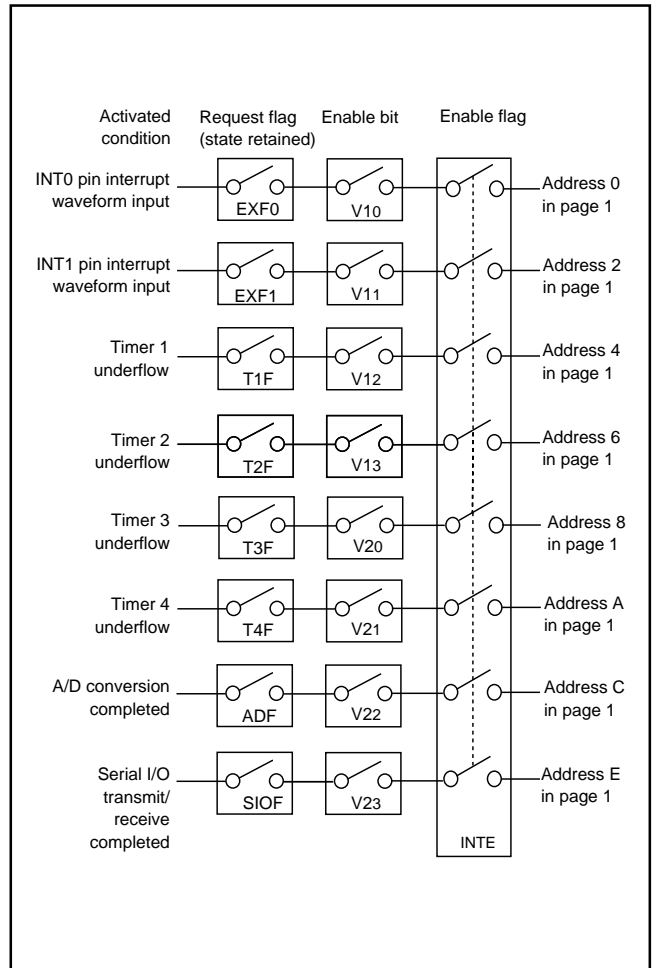


Fig. 15 Interrupt system diagram

## (6) Interrupt control registers

- Interrupt control register V1

Interrupt enable bits of external 0, external 1, timer 1 and timer 2 are assigned to register V1. Set the contents of this register through register A with the TV1A instruction. The TAV1 instruction can be used to transfer the contents of register V1 to register A.

- Interrupt control register V2

The timer 3, timer 4, A/D and serial I/O interrupt enable bit is assigned to register V2. Set the contents of this register through register A with the TV2A instruction. The TAV2 instruction can be used to transfer the contents of register V2 to register A.

**Table 6 Interrupt control registers**

Interrupt control register V1		at reset : 0000 <sub>2</sub>	at RAM back-up : 0000 <sub>2</sub>	R/W TAV1/TV1A
V13	Timer 2 interrupt enable bit	0	Interrupt disabled (SNZT2 instruction is valid)	
		1	Interrupt enabled (SNZT2 instruction is invalid)	
V12	Timer 1 interrupt enable bit	0	Interrupt disabled (SNZT1 instruction is valid)	
		1	Interrupt enabled (SNZT1 instruction is invalid)	
V11	External 1 interrupt enable bit	0	Interrupt disabled (SNZ1 instruction is valid)	
		1	Interrupt enabled (SNZ1 instruction is invalid)	
V10	External 0 interrupt enable bit	0	Interrupt disabled (SNZ0 instruction is valid)	
		1	Interrupt enabled (SNZ0 instruction is invalid)	

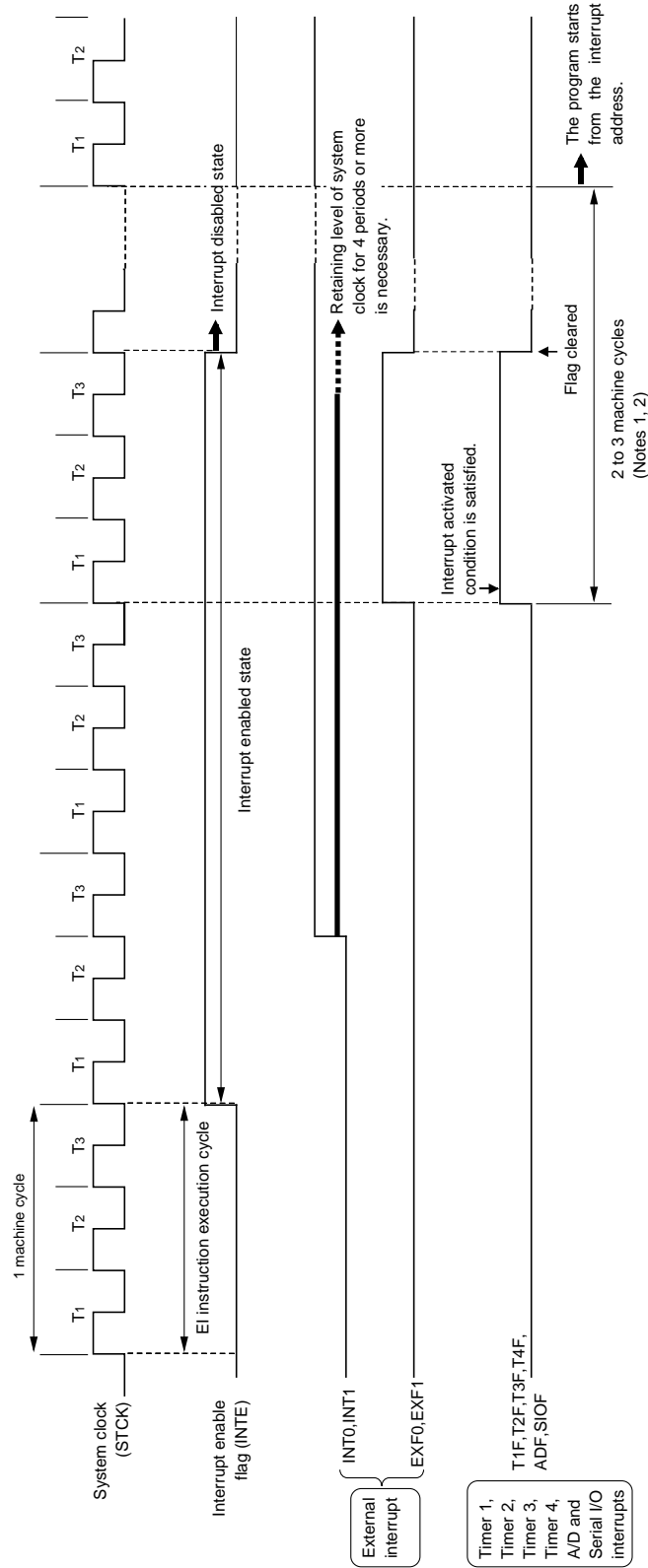
Interrupt control register V2		at reset : 0000 <sub>2</sub>	at RAM back-up : 0000 <sub>2</sub>	R/W TAV2/TV2A
V23	Serial I/O interrupt enable bit	0	Interrupt disabled (SNZSI instruction is valid)	
		1	Interrupt enabled (SNZSI instruction is invalid)	
V22	A/D interrupt enable bit	0	Interrupt disabled (SNZAD instruction is valid)	
		1	Interrupt enabled (SNZAD instruction is invalid)	
V21	Timer 4 interrupt enable bit	0	Interrupt disabled (SNZT4 instruction is valid)	
		1	Interrupt enabled (SNZT4 instruction is invalid)	
V20	Timer 3 interrupt enable bit	0	Interrupt disabled (SNZT3 instruction is valid)	
		1	Interrupt enabled (SNZT3 instruction is invalid)	

**Note:** "R" represents read enabled, and "W" represents write enabled.

## (7) Interrupt sequence

Interrupts only occur when the respective INTE flag, interrupt enable bits (V10–V13, V20–V23), and interrupt request flag are "1." The interrupt actually occurs 2 to 3 machine cycles after the cycle in which all three conditions are satisfied. The interrupt occurs after 3 machine cycles only when the three interrupt conditions are satisfied on execution of other than one-cycle instructions (Refer to Figure 16).

- When an interrupt request flag is set after its interrupt is enabled (Note 1)



- Notes 1: The address is stacked to the last cycle.  
 2: This interval of cycles depends on the executed instruction at the time when each interrupt activated condition is satisfied.

Fig. 16 Interrupt sequence



### EXTERNAL INTERRUPTS

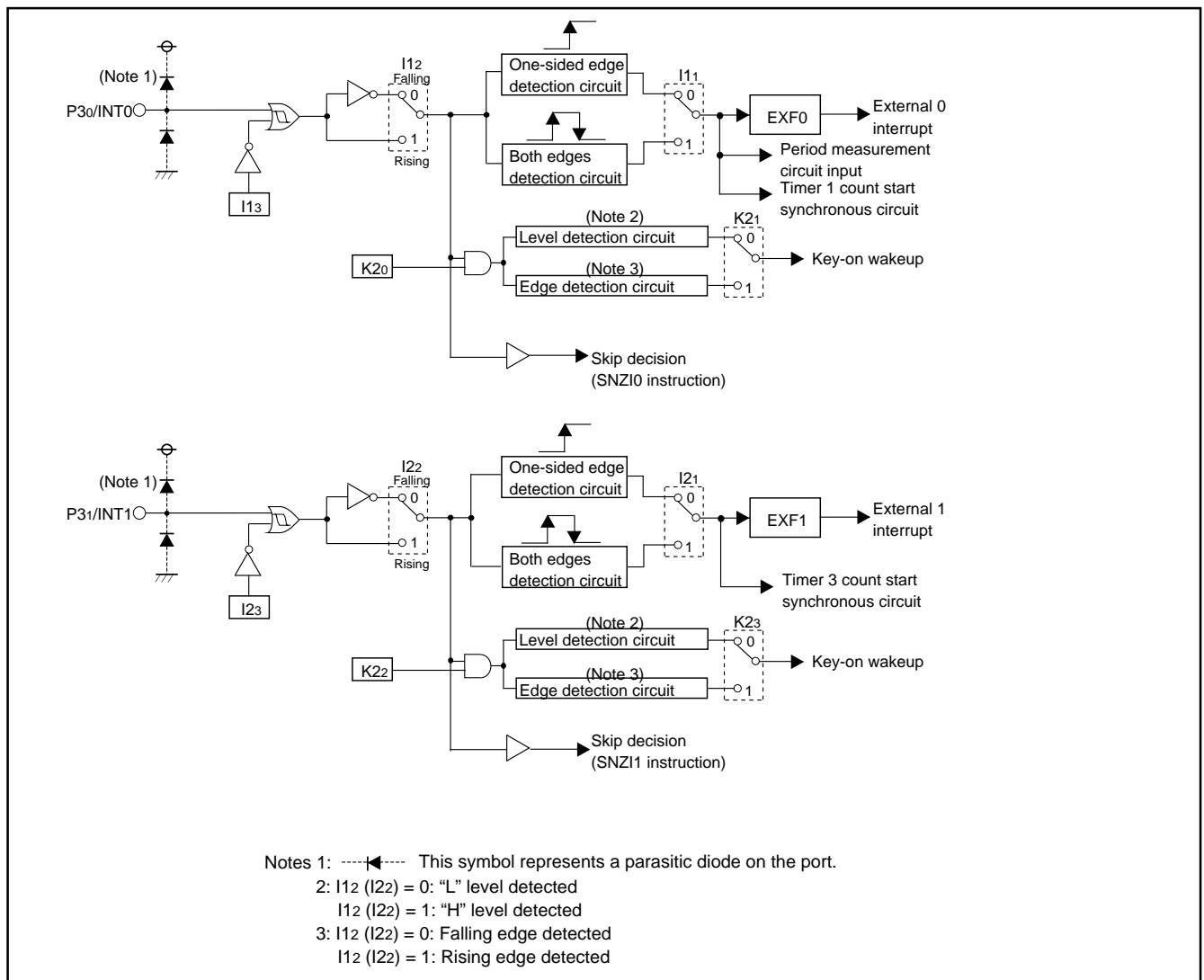
The 4518 Group has the external 0 interrupt and external 1 interrupt.

An external interrupt request occurs when a valid waveform is input to an interrupt input pin (edge detection).

The external interrupt can be controlled with the interrupt control registers I1 and I2.

**Table 7 External interrupt activated conditions**

Name	Input pin	Activated condition	Valid waveform selection bit
External 0 interrupt	P30/INT0	When the next waveform is input to P30/INT0 pin <ul style="list-style-type: none"> <li>Falling waveform ("H"→"L")</li> <li>Rising waveform ("L"→"H")</li> <li>Both rising and falling waveforms</li> </ul>	I11 I12
External 1 interrupt	P31/INT1	When the next waveform is input to P31/INT1 pin <ul style="list-style-type: none"> <li>Falling waveform ("H"→"L")</li> <li>Rising waveform ("L"→"H")</li> <li>Both rising and falling waveforms</li> </ul>	I21 I22



**Fig. 17 External interrupt circuit structure**

### (1) External 0 interrupt request flag (EXF0)

External 0 interrupt request flag (EXF0) is set to "1" when a valid waveform is input to P30/INT0 pin.

The valid waveforms causing the interrupt must be retained at their level for 4 clock cycles or more of the system clock (Refer to Figure 16).

The state of EXF0 flag can be examined with the skip instruction (SNZ0). Use the interrupt control register V1 to select the interrupt or the skip instruction. The EXF0 flag is cleared to "0" when an interrupt occurs or when the next instruction is skipped with the skip instruction.

- External 0 interrupt activated condition

External 0 interrupt activated condition is satisfied when a valid waveform is input to P30/INT0 pin.

The valid waveform can be selected from rising waveform, falling waveform or both rising and falling waveforms. An example of how to use the external 0 interrupt is as follows.

- ① Set the bit 3 of register I1 to "1" for the INT0 pin to be in the input enabled state.
- ② Select the valid waveform with the bits 1 and 2 of register I1.
- ③ Clear the EXF0 flag to "0" with the SNZ0 instruction.
- ④ Set the NOP instruction for the case when a skip is performed with the SNZ0 instruction.
- ⑤ Set both the external 0 interrupt enable bit (V10) and the INTE flag to "1."

The external 0 interrupt is now enabled. Now when a valid waveform is input to the P30/INT0 pin, the EXF0 flag is set to "1" and the external 0 interrupt occurs.

### (2) External 1 interrupt request flag (EXF1)

External 1 interrupt request flag (EXF1) is set to "1" when a valid waveform is input to P31/INT1 pin.

The valid waveforms causing the interrupt must be retained at their level for 4 clock cycles or more of the system clock (Refer to Figure 16).

The state of EXF1 flag can be examined with the skip instruction (SNZ1). Use the interrupt control register V1 to select the interrupt or the skip instruction. The EXF1 flag is cleared to "0" when an interrupt occurs or when the next instruction is skipped with the skip instruction.

- External 1 interrupt activated condition

External 1 interrupt activated condition is satisfied when a valid waveform is input to P31/INT1 pin.

The valid waveform can be selected from rising waveform, falling waveform or both rising and falling waveforms. An example of how to use the external 1 interrupt is as follows.

- ① Set the bit 3 of register I2 to "1" for the INT1 pin to be in the input enabled state.
- ② Select the valid waveform with the bits 1 and 2 of register I2.
- ③ Clear the EXF1 flag to "0" with the SNZ1 instruction.
- ④ Set the NOP instruction for the case when a skip is performed with the SNZ1 instruction.
- ⑤ Set both the external 1 interrupt enable bit (V11) and the INTE flag to "1."

The external 1 interrupt is now enabled. Now when a valid waveform is input to the P31/INT1 pin, the EXF1 flag is set to "1" and the external 1 interrupt occurs.

### (3) External interrupt control registers

- Interrupt control register I1

Register I1 controls the valid waveform for the external 0 interrupt. Set the contents of this register through register A with the TI1A instruction. The TAI1 instruction can be used to transfer the contents of register I1 to register A.

- Interrupt control register I2

Register I2 controls the valid waveform for the external 1 interrupt. Set the contents of this register through register A with the TI2A instruction. The TAI2 instruction can be used to transfer the contents of register I2 to register A.

**Table 8 External interrupt control register**

Interrupt control register I1		at reset : 00002	at RAM back-up : state retained	R/W TAI1/TI1A
I13	INT0 pin input control bit	0	INT0 pin input disabled	
		1	INT0 pin input enabled	
I12	Interrupt valid waveform for INT0 pin/ return level selection bit	0	Falling waveform/"L" level ("L" level is recognized with the SNZIO instruction)	
		1	Rising waveform/"H" level ("H" level is recognized with the SNZIO instruction)	
I11	INT0 pin edge detection circuit control bit	0	One-sided edge detected	
		1	Both edges detected	
I10	INT0 pin Timer 1 count start synchronous circuit selection bit	0	Timer 1 count start synchronous circuit not selected	
		1	Timer 1 count start synchronous circuit selected	

Interrupt control register I2		at reset : 00002	at RAM back-up : state retained	R/W TAI2/TI2A
I23	INT1 pin input control bit (Note 2)	0	INT1 pin input disabled	
		1	INT1 pin input enabled	
I22	Interrupt valid waveform for INT1 pin/ return level selection bit (Note 2)	0	Falling waveform/"L" level ("L" level is recognized with the SNZ11 instruction)	
		1	Rising waveform/"H" level ("H" level is recognized with the SNZ11 instruction)	
I21	INT1 pin edge detection circuit control bit	0	One-sided edge detected	
		1	Both edges detected	
I20	INT1 pin Timer 3 count start synchronous circuit selection bit	0	Timer 3 count start synchronous circuit not selected	
		1	Timer 3 count start synchronous circuit selected	

Notes 1: "R" represents read enabled, and "W" represents write enabled.

2: When the contents of I12, I13 I22 and I23 are changed, the external interrupt request flag (EXF0, EXF1) may be set.

**(4) Notes on External 0 interrupt**

① Note [1] on bit 3 of register I1

When the input of the INT0 pin is controlled with the bit 3 of register I1 in software, be careful about the following notes.

- Depending on the input state of the P30/INT0 pin, the external 0 interrupt request flag (EXF0) may be set when the bit 3 of register I1 is changed. In order to avoid the occurrence of an unexpected interrupt, clear the bit 0 of register V1 to "0" (refer to Figure 18 ①) and then, change the bit 3 of register I1. In addition, execute the SNZ0 instruction to clear the EXF0 flag to "0" after executing at least one instruction (refer to Figure 18 ②). Also, set the NOP instruction for the case when a skip is performed with the SNZ0 instruction (refer to Figure 18 ③).

```

    ⋮
    LA 4 ; (XXX02)
    TV1A ; The SNZ0 instruction is valid ..... ①
    LA 8 ; (1XXX2)
    TI1A ; Control of INT0 pin input is changed
    NOP ..... ②
    SNZ0 ; The SNZ0 instruction is executed
        (EXF0 flag cleared)
    NOP ..... ③
    ⋮
    X : these bits are not used here.
    
```

Fig. 18 External 0 interrupt program example-1

② Note [2] on bit 3 of register I1

When the bit 3 of register I1 is cleared to "0", the RAM back-up mode is selected and the input of INT0 pin is disabled, be careful about the following notes.

- When the input of INT0 pin is disabled (register I13 = "0"), set the key-on wakeup function to be invalid (register K20 = "0") before system enters to the RAM back-up mode. (refer to Figure 19①).

```

    ⋮
    LA 0 ; (XXX02)
    TK2A ; Input of INT0 key-on wakeup invalid .. ①
    DI
    EPOF
    POF ; RAM back-up
    ⋮
    X : these bits are not used here.
    
```

Fig. 19 External 0 interrupt program example-2

③ Note on bit 2 of register I1

When the interrupt valid waveform of the P30/INT0 pin is changed with the bit 2 of register I1 in software, be careful about the following notes.

- Depending on the input state of the P30/INT0 pin, the external 0 interrupt request flag (EXF0) may be set when the bit 2 of register I1 is changed. In order to avoid the occurrence of an unexpected interrupt, clear the bit 0 of register V1 to "0" (refer to Figure 20①) and then, change the bit 2 of register I1. In addition, execute the SNZ0 instruction to clear the EXF0 flag to "0" after executing at least one instruction (refer to Figure 20②). Also, set the NOP instruction for the case when a skip is performed with the SNZ0 instruction (refer to Figure 20③).

```

    ⋮
    LA 4 ; (XXX02)
    TV1A ; The SNZ0 instruction is valid ..... ①
    LA 12 ; (X1XX2)
    TI1A ; Interrupt valid waveform is changed
    NOP ..... ②
    SNZ0 ; The SNZ0 instruction is executed
        (EXF0 flag cleared)
    NOP ..... ③
    ⋮
    X : these bits are not used here.
    
```

Fig. 20 External 0 interrupt program example-3

### (5) Notes on External 1 interrupt

① Note [1] on bit 3 of register I2

When the input of the INT1 pin is controlled with the bit 3 of register I2 in software, be careful about the following notes.

- Depending on the input state of the P31/INT1 pin, the external 1 interrupt request flag (EXF1) may be set when the bit 3 of register I2 is changed. In order to avoid the occurrence of an unexpected interrupt, clear the bit 1 of register V1 to "0" (refer to Figure 21①) and then, change the bit 3 of register I2. In addition, execute the SNZ1 instruction to clear the EXF1 flag to "0" after executing at least one instruction (refer to Figure 21②). Also, set the NOP instruction for the case when a skip is performed with the SNZ1 instruction (refer to Figure 21③).

③ Note on bit 2 of register I2

When the interrupt valid waveform of the P31/INT1 pin is changed with the bit 2 of register I2 in software, be careful about the following notes.

- Depending on the input state of the P31/INT1 pin, the external 1 interrupt request flag (EXF1) may be set when the bit 2 of register I2 is changed. In order to avoid the occurrence of an unexpected interrupt, clear the bit 1 of register V1 to "0" (refer to Figure 23①) and then, change the bit 2 of register I2. In addition, execute the SNZ1 instruction to clear the EXF1 flag to "0" after executing at least one instruction (refer to Figure 23②). Also, set the NOP instruction for the case when a skip is performed with the SNZ1 instruction (refer to Figure 23③).

```

    ⋮
    LA    4    ; (XX0X2)
    TV1A    ; The SNZ1 instruction is valid ..... ①
    LA    8    ; (1XXX2)
    TI2A    ; Control of INT1 pin input is changed
    NOP     ..... ②
    SNZ1    ; The SNZ1 instruction is executed
           ; (EXF1 flag cleared)
    NOP     ..... ③
    ⋮
    X : these bits are not used here.
    
```

Fig. 21 External 1 interrupt program example-1

```

    ⋮
    LA    4    ; (XX0X2)
    TV1A    ; The SNZ1 instruction is valid ..... ①
    LA   12    ; (X1XX2)
    TI2A    ; Interrupt valid waveform is changed
    NOP     ..... ②
    SNZ1    ; The SNZ1 instruction is executed
           ; (EXF1 flag cleared)
    NOP     ..... ③
    ⋮
    X : these bits are not used here.
    
```

Fig. 23 External 1 interrupt program example-3

② Note [2] on bit 3 of register I2

When the bit 3 of register I2 is cleared to "0", the RAM back-up mode is selected and the input of INT1 pin is disabled, be careful about the following notes.

- When the input of INT1 pin is disabled (register I23 = "0"), set the key-on wakeup function to be invalid (register K22 = "0") before system enters to the RAM back-up mode. (refer to Figure 22①).

```

    ⋮
    LA    0    ; (X0XX2)
    TK2A    ; Input of INT1 key-on wakeup invalid .. ①
    DI
    EPOF
    POF     ; RAM back-up
    ⋮
    X : these bits are not used here.
    
```

Fig. 22 External 1 interrupt program example-2

## TIMERS

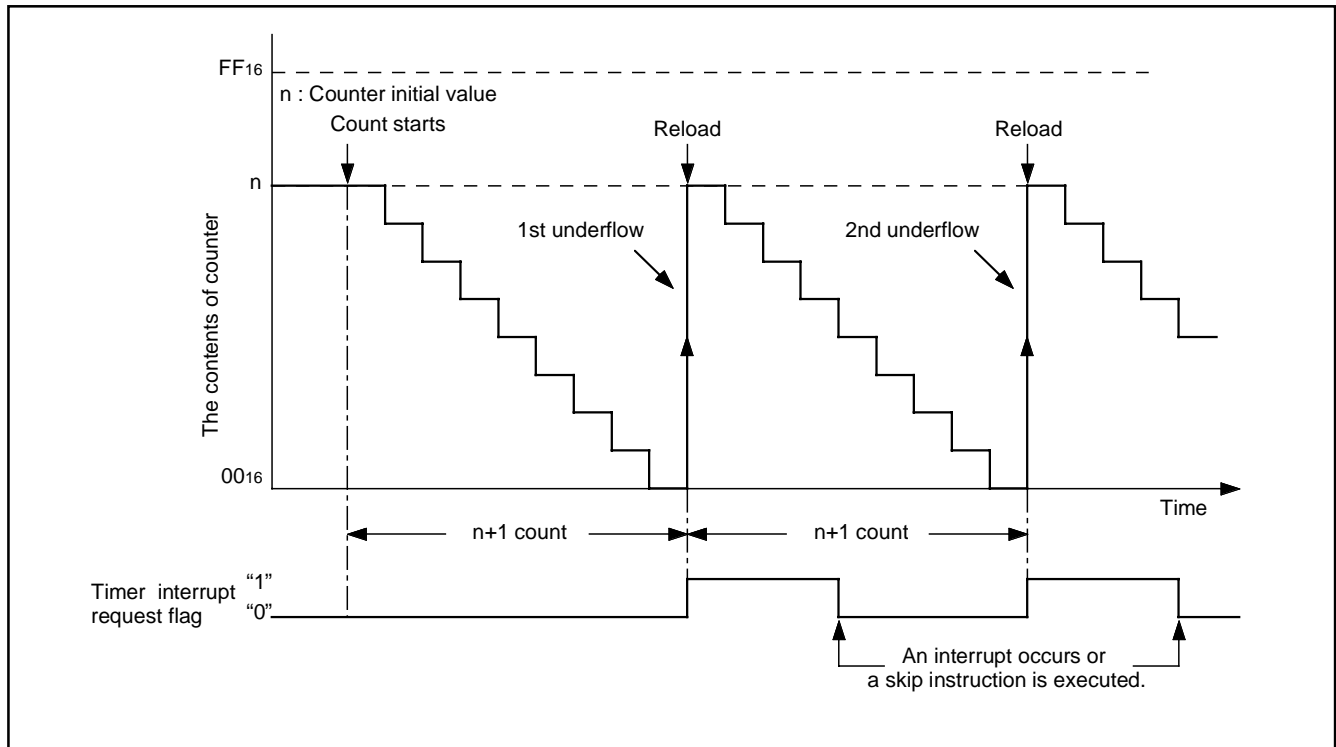
The 4518 Group has the following timers.

- Programmable timer

The programmable timer has a reload register and enables the frequency dividing ratio to be set. It is decremented from a setting value  $n$ . When it underflows (count to  $n + 1$ ), a timer interrupt request flag is set to "1," new data is loaded from the reload register, and count continues (auto-reload function).

- Fixed dividing frequency timer

The fixed dividing frequency timer has the fixed frequency dividing ratio ( $n$ ). An interrupt request flag is set to "1" after every  $n$  count of a count pulse.



**Fig. 24 Auto-reload function**

The 4518 Group timer consists of the following circuits.

- Prescaler : 8-bit programmable timer
- Timer 1 : 8-bit programmable timer
- Timer 2 : 8-bit programmable timer
- Timer 3 : 8-bit programmable timer
- Timer 4 : 8-bit programmable timer
- Watchdog timer : 16-bit fixed dividing frequency timer  
(Timers 1, 2, 3, and 4 have the interrupt function, respectively)

Prescaler and timers 1, 2, 3, and 4 can be controlled with the timer control registers PA, W1 to W6. The watchdog timer is a free counter which is not controlled with the control register.

Each function is described below.

**Table 9 Function related timers**

Circuit	Structure	Count source	Frequency dividing ratio	Use of output signal	Control register
Prescaler	8-bit programmable binary down counter	<ul style="list-style-type: none"> <li>• Instruction clock (INSTCK)</li> </ul>	1 to 256	<ul style="list-style-type: none"> <li>• Timer 1, 2, 3, and 4 count sources</li> </ul>	PA
Timer 1	8-bit programmable binary down counter (link to INT0 input) (period/pulse width measurement function)	<ul style="list-style-type: none"> <li>• Instruction clock (INSTCK)</li> <li>• Prescaler output (ORCLK)</li> <li>• XIN input</li> <li>• CNTR0 input</li> </ul>	1 to 256	<ul style="list-style-type: none"> <li>• Timer 2 count source</li> <li>• CNTR0 output</li> <li>• Timer 1 interrupt</li> </ul>	W1 W2 W5
Timer 2	8-bit programmable binary down counter	<ul style="list-style-type: none"> <li>• System clock (STCK)</li> <li>• Prescaler output (ORCLK)</li> <li>• Timer 1 underflow (T1UDF)</li> <li>• PWM output (PWMOU)</li> </ul>	1 to 256	<ul style="list-style-type: none"> <li>• Timer 3 count source</li> <li>• CNTR0 output</li> <li>• Timer 2 interrupt</li> </ul>	W2
Timer 3	8-bit programmable binary down counter (link to INT1 input)	<ul style="list-style-type: none"> <li>• PWM output (PWMOU)</li> <li>• Prescaler output (ORCLK)</li> <li>• Timer 2 underflow (T2UDF)</li> <li>• CNTR1 input</li> </ul>	1 to 256	<ul style="list-style-type: none"> <li>• CNTR1 output control</li> <li>• Timer 3 interrupt</li> </ul>	W3
Timer 4	8-bit programmable binary down counter (PWM output function)	<ul style="list-style-type: none"> <li>• XIN input</li> <li>• Prescaler output (ORCLK)</li> </ul>	1 to 256	<ul style="list-style-type: none"> <li>• Timer 2, 3 count source</li> <li>• CNTR1 output</li> <li>• Timer 4 interrupt</li> </ul>	W4
Watchdog timer	16-bit fixed dividing frequency	<ul style="list-style-type: none"> <li>• Instruction clock (INSTCK)</li> </ul>	65534	<ul style="list-style-type: none"> <li>• System reset (count twice)</li> <li>• WDF flag decision</li> </ul>	

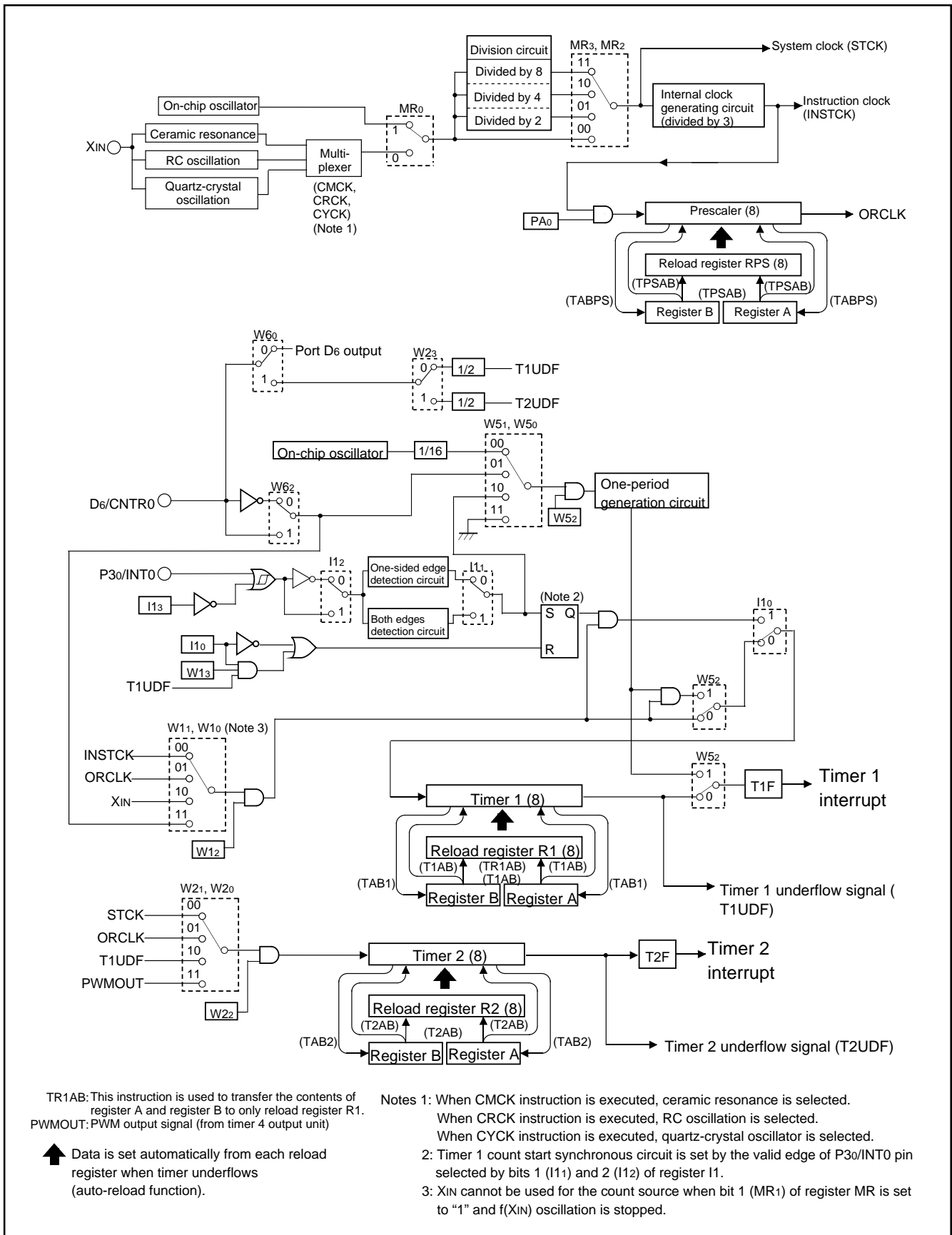


Fig. 25 Timer structure (1)



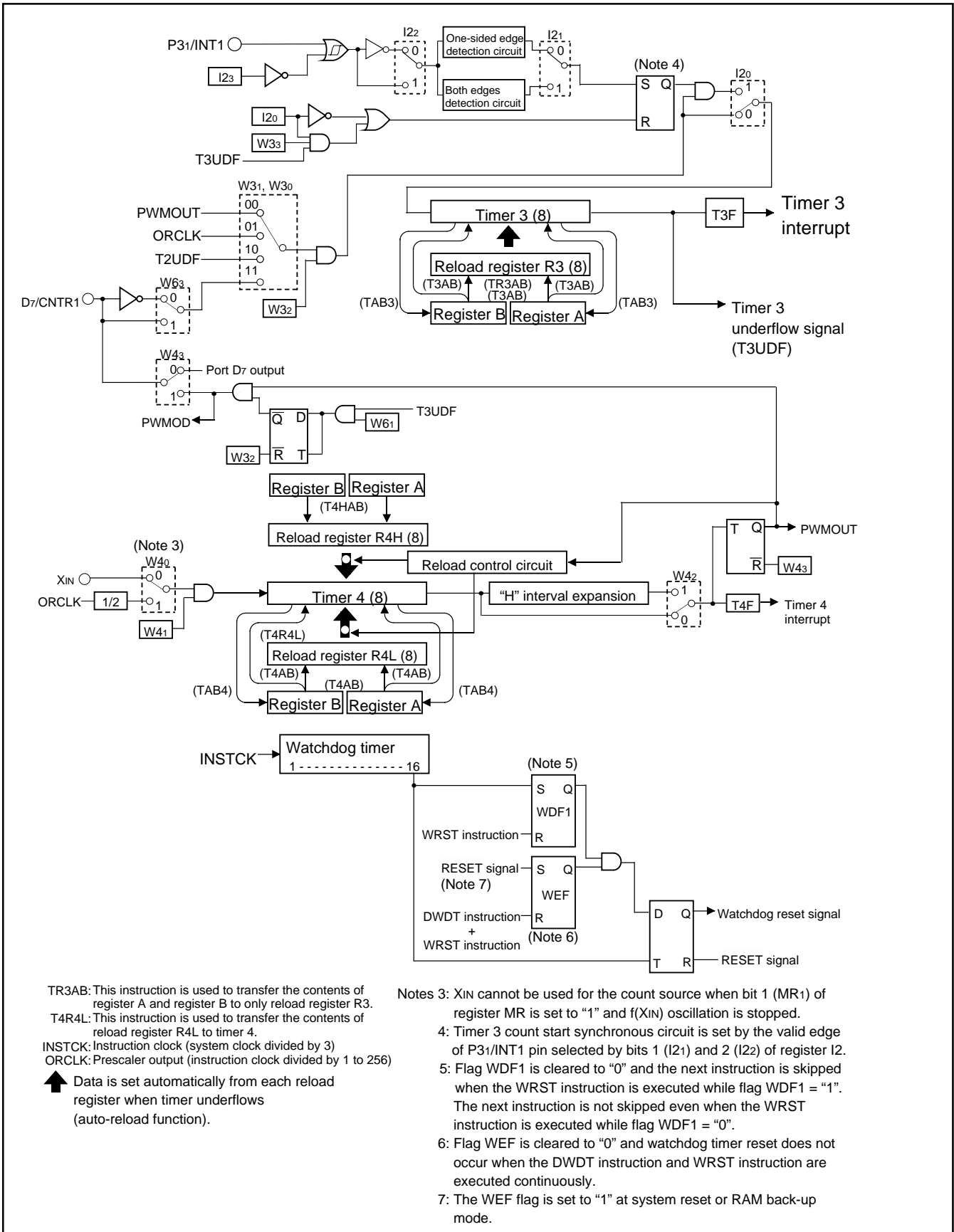


Fig. 26 Timer structure (2)

Table 10 Timer related registers

Timer control register PA		at reset : 02		at RAM back-up : 02		W TPAA		
PA0	Prescaler control bit	0	Stop (state initialized)					
		1	Operating					

Timer control register W1		at reset : 00002		at RAM back-up : state retained		R/W TAW1/TW1A		
W13	Timer 1 count auto-stop circuit selection bit (Note 2)	0	Timer 1 count auto-stop circuit not selected					
		1	Timer 1 count auto-stop circuit selected					
W12	Timer 1 control bit	0	Stop (state retained)					
		1	Operating					
W11	Timer 1 count source selection bits	W11 W10		Count source				
		0	0	Instruction clock (INSTCK)				
0		1	Prescaler output (ORCLK)					
W10		1	0	XIN input				
	1	1	CNTR0 input					

Timer control register W2		at reset : 00002		at RAM back-up : state retained		R/W TAW2/TW2A		
W23	CNTR0 output signal selection bit	0	Timer 1 underflow signal divided by 2 output					
		1	Timer 2 underflow signal divided by 2 output					
W22	Timer 2 control bit	0	Stop (state retained)					
		1	Operating					
W21	Timer 2 count source selection bits	W21 W20		Count source				
		0	0	System clock (STCK)				
0		1	Prescaler output (ORCLK)					
W20		1	0	Timer 1 underflow signal (T1UDF)				
	1	1	PWM signal (PWMOUT)					

Timer control register W3		at reset : 00002		at RAM back-up : state retained		R/W TAW3/TW3A		
W33	Timer 3 count auto-stop circuit selection bit (Note 3)	0	Timer 3 count auto-stop circuit not selected					
		1	Timer 3 count auto-stop circuit selected					
W32	Timer 3 control bit	0	Stop (state retained)					
		1	Operating					
W31	Timer 3 count source selection bits	W31 W30		Count source				
		0	0	PWM signal (PWMOUT)				
0		1	Prescaler output (ORCLK)					
W30		1	0	Timer 2 underflow signal (T2UDF)				
	1	1	CNTR1 input					

Notes 1: "R" represents read enabled, and "W" represents write enabled.

2: This function is valid only when the timer 1 count start synchronous circuit is selected (I10="1").

3: This function is valid only when the timer 3 count start synchronous circuit is selected (I20="1").

Timer control register W4		at reset : 00002		at RAM back-up : 00002	R/W TAW4/TW4A
W43	D7/CNTR1 pin function selection bit	0	D7 (I/O) / CNTR1 (input)		
		1	CNTR1 (I/O) / D7 (input)		
W42	PWM signal "H" interval expansion function control bit	0	PWM signal "H" interval expansion function invalid		
		1	PWM signal "H" interval expansion function valid		
W41	Timer 4 control bit	0	Stop (state retained)		
		1	Operating		
W40	Timer 4 count source selection bit	0	XIN input		
		1	Prescaler output (ORCLK) divided by 2		

Timer control register W5		at reset : 00002		at RAM back-up : state retained	R/W TAW5/TW5A
W53	Not used	0	This bit has no function, but read/write is enabled.		
		1			
W52	Period measurement circuit control bit	0	Stop		
		1	Operating		
W51	Signal for period measurement selection bits	W51 W50		Count source	
		0	0	On-chip oscillator (f(RING/16))	
W50		0	1	CNTR0 pin input	
		1	0	INT0 pin input	
		1	1	Not available	

Timer control register W6		at reset : 00002		at RAM back-up : state retained	R/W TAW6/TW6A
W63	CNTR1 pin input count edge selection bit	0	Falling edge		
		1	Rising edge		
W62	CNTR0 pin input count edge selection bit	0	Falling edge		
		1	Rising edge		
W61	CNTR1 output auto-control circuit selection bit	0	CNTR1 output auto-control circuit not selected		
		1	CNTR1 output auto-control circuit selected		
W60	D6/CNTR0 pin function selection bit	0	D6 (I/O) / CNTR0 (input)		
		1	CNTR0 (I/O) / D6 (input)		

Note: "R" represents read enabled, and "W" represents write enabled.

## (1) Timer control registers

- **Timer control register PA**  
Register PA controls the count operation of prescaler. Set the contents of this register through register A with the TPAA instruction.
- **Timer control register W1**  
Register W1 controls the selection of timer 1 count auto-stop circuit, and the count operation and count source of timer 1. Set the contents of this register through register A with the TW1A instruction. The TAW1 instruction can be used to transfer the contents of register W1 to register A.
- **Timer control register W2**  
Register W2 controls the selection of CNTR0 output, and the count operation and count source of timer 2. Set the contents of this register through register A with the TW2A instruction. The TAW2 instruction can be used to transfer the contents of register W2 to register A.
- **Timer control register W3**  
Register W3 controls the selection of the count operation and count source of timer 3 count auto-stop circuit. Set the contents of this register through register A with the TW3A instruction. The TAW3 instruction can be used to transfer the contents of register W3 to register A.
- **Timer control register W4**  
Register W4 controls the D7/CNTR1 output, the expansion of "H" interval of PWM output, and the count operation and count source of timer 4. Set the contents of this register through register A with the TW4A instruction. The TAW4 instruction can be used to transfer the contents of register W4 to register A.
- **Timer control register W5**  
Register W5 controls the period measurement circuit and target signal for period measurement. Set the contents of this register through register A with the TW5A instruction. The TAW5 instruction can be used to transfer the contents of register W5 to register A.
- **Timer control register W6**  
Register W6 controls the count edges of CNTR0 pin and CNTR1 pin, selection of CNTR1 output auto-control circuit and the D6/CNTR0 pin function. Set the contents of this register through register A with the TW6A instruction. The TAW6 instruction can be used to transfer the contents of register W6 to register A..

## (2) Prescaler

Prescaler is an 8-bit binary down counter with the prescaler reload register PRS. Data can be set simultaneously in prescaler and the reload register RPS with the TPSAB instruction. Data can be read from reload register RPS with the TABPS instruction.

Stop counting and then execute the TPSAB or TABPS instruction to read or set prescaler data.

Prescaler starts counting after the following process;

- ① set data in prescaler, and
- ② set the bit 0 of register PA to "1."

When a value set in reload register RPS is  $n$ , prescaler divides the count source signal by  $n + 1$  ( $n = 0$  to 255).

Count source for prescaler is the instruction clock (INSTCK).

Once count is started, when prescaler underflows (the next count pulse is input after the contents of prescaler becomes "0"), new data is loaded from reload register RPS, and count continues (auto-reload function).

The output signal (ORCLK) of prescaler can be used for timer 1, 2, 3, and 4 count sources.

## (3) Timer 1 (interrupt function)

Timer 1 is an 8-bit binary down counter with the timer 1 reload register (R1). Data can be set simultaneously in timer 1 and the reload register (R1) with the T1AB instruction. Data can be written to reload register (R1) with the TR1AB instruction. Data can be read from timer 1 with the TAB1 instruction.

Stop counting and then execute the T1AB or TAB1 instruction to read or set timer 1 data.

When executing the TR1AB instruction to set data to reload register R1 while timer 1 is operating, avoid a timing when timer 1 underflows.

Timer 1 starts counting after the following process;

- ① set data in timer 1
- ② set count source by bits 0 and 1 of register W1, and
- ③ set the bit 2 of register W1 to "1."

When a value set in reload register R1 is  $n$ , timer 1 divides the count source signal by  $n + 1$  ( $n = 0$  to 255).

Once count is started, when timer 1 underflows (the next count pulse is input after the contents of timer 1 becomes "0"), the timer 1 interrupt request flag (T1F) is set to "1," new data is loaded from reload register R1, and count continues (auto-reload function).

INT0 pin input can be used as the start trigger for timer 1 count operation by setting the bit 0 of register I1 to "1."

Also, in this time, the auto-stop function by timer 1 underflow can be performed by setting the bit 3 of register W1 to "1."

Timer 1 underflow signal divided by 2 can be output from CNTR0 pin by clearing bit 3 of register W2 to "0" and setting bit 0 of register W6 to "1".

The period measurement circuit starts operating by setting bit 2 of register W5 to "1" and timer 1 is used to count the one-period of the target signal for the period measurement. In this time, the timer 1 interrupt request flag (T1F) is not set by the timer 1 underflow signal, it is the flag for detecting the completion of period measurement.

#### (4) Timer 2 (interrupt function)

Timer 2 is an 8-bit binary down counter with the timer 2 reload register (R2). Data can be set simultaneously in timer 2 and the reload register (R2) with the T2AB instruction. Data can be read from timer 2 with the TAB2 instruction. Stop counting and then execute the T2AB or TAB2 instruction to read or set timer 2 data.

Timer 2 starts counting after the following process;

- ① set data in timer 2,
- ② select the count source with the bits 0 and 1 of register W2, and
- ③ set the bit 2 of register W2 to "1."

When a value set in reload register R2 is  $n$ , timer 2 divides the count source signal by  $n + 1$  ( $n = 0$  to 255).

Once count is started, when timer 2 underflows (the next count pulse is input after the contents of timer 2 becomes "0"), the timer 2 interrupt request flag (T2F) is set to "1," new data is loaded from reload register R2, and count continues (auto-reload function).

Timer 2 underflow signal divided by 2 can be output from CNTR0 pin by setting bit 3 of register W2 to "1" and setting bit 0 of register W6 to "1".

#### (5) Timer 3 (interrupt function)

Timer 3 is an 8-bit binary down counter with the timer 3 reload register (R3). Data can be set simultaneously in timer 3 and the reload register (R3) with the T3AB instruction. Data can be written to reload register (R3) with the TR3AB instruction. Data can be read from timer 3 with the TAB3 instruction.

Stop counting and then execute the T3AB or TAB3 instruction to read or set timer 3 data.

When executing the TR3AB instruction to set data to reload register R3 while timer 3 is operating, avoid a timing when timer 3 underflows.

Timer 3 starts counting after the following process;

- ① set data in timer 3
- ② set count source by bits 0 and 1 of register W3, and
- ③ set the bit 2 of register W3 to "1."

When a value set in reload register R3 is  $n$ , timer 3 divides the count source signal by  $n + 1$  ( $n = 0$  to 255).

Once count is started, when timer 3 underflows (the next count pulse is input after the contents of timer 3 becomes "0"), the timer 3 interrupt request flag (T3F) is set to "1," new data is loaded from reload register R3, and count continues (auto-reload function).

INT1 pin input can be used as the start trigger for timer 3 count operation by setting the bit 0 of register I2 to "1."

Also, in this time, the auto-stop function by timer 3 underflow can be performed by setting the bit 3 of register W3 to "1."

#### (6) Timer 4 (interrupt function)

Timer 4 is an 8-bit binary down counter with two timer 4 reload registers (R4L, R4H). Data can be set simultaneously in timer 4 and the reload register R4L with the T4AB instruction. Data can be set in the reload register R4H with the T4HAB instruction. The contents of reload register R4L set with the T4AB instruction can be set to timer 4 again with the T4R4L instruction. Data can be read from timer 4 with the TAB4 instruction.

Stop counting and then execute the T4AB or TAB4 instruction to read or set timer 4 data.

When executing the T4HAB instruction to set data to reload register R4H while timer 4 is operating, avoid a timing when timer 4 underflows.

Timer 4 starts counting after the following process;

- ① set data in timer 4
- ② set count source by bit 0 of register W4, and
- ③ set the bit 1 of register W4 to "1."

When a value set in reload register R4L is  $n$ , timer 4 divides the count source signal by  $n + 1$  ( $n = 0$  to 255).

Once count is started, when timer 4 underflows (the next count pulse is input after the contents of timer 4 becomes "0"), the timer 4 interrupt request flag (T4F) is set to "1," new data is loaded from reload register R4L, and count continues (auto-reload function).

The PWM signal generated by timer 4 can be output from CNTR1 pin by setting bit 3 of the timer control register W4 to "1".

Timer 4 can control the PWM output to CNTR1 pin with timer 3 by setting bit 1 of the timer control register W6 to "1".

## (7) Period measurement function (Timer 1, period measurement circuit)

Timer 1 has the period measurement circuit which performs timer count operation synchronizing with one cycle of the signal divided by 16 of an on-chip oscillator, D6/CNTR0 pin input, or P30/INT0 pin input (one cycle, "H", or "L" pulse width at the case of a P30/INT0 pin input).

When the target signal for period measurement is set by bits 0 and 1 of register W5, a period measurement circuit is started by setting the bit 2 of register W5 to "1".

Then, if a XIN input is set as the count source of a timer 1 and the bit 2 of register W1 is set to "1", timer 1 starts operation.

Timer 1 starts operation synchronizing with the falling edge of the target signal for period measurement, and stops count operation synchronizing with the next falling edge (one-period generation circuit).

When selecting D6/CNTR0 pin input as target signal for period measurement, the period measurement synchronous edge can be changed into a rising edge by setting the bit 2 of register W6 to "1".

When selecting P30/INT0 pin input as target signal for period measurement, period measurement synchronous edge can be changed into a rising edge by setting the bit 2 of register I1 to "1". A timer 1 interrupt request flag (T1F) is set to "1" after completing measurement operation.

When a period measurement circuit is set to be operating, timer 1 interrupt request flag (T1F) is not set by timer 1 underflow signal, but turns into a flag which detects the completion of period measurement.

In addition, a timer 1 underflow signal can be used as timer 2 count source.

Once period measurement operation is completed, even if period measurement valid edge is input next, timer 1 is in a stop state and measurement data is held.

When a period measurement circuit is used again, stop a period measurement circuit at once by setting the bit 2 of register W5 to "0", and change a period measurement circuit into a state of operation by setting the bit 2 of register W5 to "1" again.

When a period measurement circuit is used, clear bit 0 of register I1 to "0", and set a timer 1 count start synchronous circuit to be "not selected".

Start timer operation immediately after operation of a period measurement circuit is started.

When the target edge for measurement is input until timer operation is started from the operation of period measurement circuit is started, the count operation is not executed until the timer operation becomes valid. Accordingly, be careful of count data.

When data is read from timer, stop the timer and clear bit 2 of register W5 to "0" to stop the period measurement circuit, and then execute the data read instruction.

Depending on the state of timer 1, the timer 1 interrupt request flag (T1F) may be set to "1" when the period measurement circuit is stopped by clearing bit 2 of register W5 to "0". In order to avoid the occurrence of an unexpected interrupt, clear the bit 2 of register V1 to "0" (refer to Figure 27①) and then, stop the bit 2 of register W5 to "0" to stop the period measurement circuit.

In addition, execute the SNZT1 instruction to clear the T1F flag after executing at least one instruction (refer to Figure 27②).

Also, set the NOP instruction for the case when a skip is performed with the SNZT1 instruction (refer to Figure 27③).

⋮		
LA	0	; (X0XX2)
TV1A		; The SNZT1 instruction is valid ..... ①
LA	0	; (X0XX2)
TW5A		; Period measurement circuit stop
NOP		..... ②
SNZT1		; The SNZT1 instruction is executed (T1F flag cleared)
NOP		..... ③
⋮		
		X : these bits are not used here.

Fig. 27 Period measurement circuit program example

When a period measurement circuit is used, select the sufficiently higher-speed frequency than the signal for measurement for the count source of a timer 1.

When the target signal for period measurement is D6/CNTR0 pin input, do not select D6/CNTR0 pin input as timer 1 count source. (The XIN input is recommended as timer 1 count source at the time of period measurement circuit use.)

## (8) Pulse width measurement function (timer 1, period measurement circuit)

A period measurement circuit can measure "H" pulse width (from rising to falling) or "L" pulse width (from falling to rising) of P30/INT0 pin input (pulse width measurement function) when the following is set;

- Set the bit 0 of register W5 to "0", and set a bit 1 to "1" (target for period measurement circuit: 30/INT0 pin input).
- Set the bit 1 of register I1 to "1" (INT0 pin edge detection circuit: both edges detection)

The measurement pulse width ("H" or "L") is decided by the period measurement circuit and the P30/INT0 pin input level at the start time of timer operation.

At the time of the start of a period measurement circuit and timer operation, "L" pulse width (from falling to rising) when the input level of P30/INT0 pin is "H" or "H" pulse width (from rising to falling) when its level is "L" is measured.

When the input of P30/INT0 pin is selected as the target for measurement, set the bit 3 of register I1 to "1", and set the input of INT0 pin to be enabled.

### (9) Count start synchronization circuit (timer 1, timer 3)

Timer 1 and timer 3 have the count start synchronous circuit which synchronizes the input of INT0 pin and INT1 pin, and can start the timer count operation.

Timer 1 count start synchronous circuit function is selected by setting the bit 0 of register I1 to "1" and the control by INT0 pin input can be performed.

Timer 3 count start synchronous circuit function is selected by setting the bit 0 of register I2 to "1" and the control by INT1 pin input can be performed.

When timer 1 or timer 3 count start synchronous circuit is used, the count start synchronous circuit is set, the count source is input to each timer by inputting valid waveform to INT0 pin or INT1 pin.

The valid waveform of INT0 pin or INT1 pin to set the count start synchronous circuit is the same as the external interrupt activated condition.

Once set, the count start synchronous circuit is cleared by clearing the bit I10 or I20 to "0" or reset.

However, when the count auto-stop circuit is selected, the count start synchronous circuit is cleared (auto-stop) at the timer 1 or timer 3 underflow.

### (10) Count auto-stop circuit (timer 1, timer 3)

Timer 1 has the count auto-stop circuit which is used to stop timer 1 automatically by the timer 1 underflow when the count start synchronous circuit is used.

The count auto-stop circuit is valid by setting the bit 3 of register W1 to "1". It is cleared by the timer 1 underflow and the count source to timer 1 is stopped.

This function is valid only when the timer 1 count start synchronous circuit is selected.

Timer 3 has the count auto-stop circuit which is used to stop timer 3 automatically by the timer 3 underflow when the count start synchronous circuit is used.

The count auto-stop circuit is valid by setting the bit 3 of register W3 to "1". It is cleared by the timer 3 underflow and the count source to timer 3 is stopped.

This function is valid only when the timer 3 count start synchronous circuit is selected.

### (11) Timer input/output pin (D6/CNTR0 pin, D7/CNTR1 pin)

CNTR0 pin is used to input the timer 1 count source and output the timer 1 and timer 2 underflow signal divided by 2.

CNTR1 pin is used to input the timer 3 count source and output the PWM signal generated by timer 4.

The D6/CNTR0 pin function can be selected by bit 0 of register W6. The selection of D7/CNTR1 output signal can be controlled by bit 3 of register W4.

When the CNTR0 input is selected for timer 1 count source, timer 1 counts the rising or falling waveform of CNTR0 input. The count edge is selected by the bit 2 of register W6.

When the CNTR1 input is selected for timer 3 count source, timer 3 counts the rising or falling waveform of CNTR1 input. The count edge is selected by the bit 3 of register W6.

### (12) PWM output function (D7/CNTR1, timer 3, timer 4)

When bit 3 of register W4 is set to "1", timer 4 reloads data from reload register R4L and R4H alternately each underflow.

Timer 4 generates the PWM signal (PWMOUT) of the "L" interval set as reload register R4L, and the "H" interval set as reload register R4H. The PWM signal (PWMOUT) is output from CNTR1 pin.

When bit 2 of register W4 is set to "1" at this time, the interval (PWM signal "H" interval) set to reload register R4H for the counter of timer 4 is extended for a half period of count source.

In this case, when a value set in reload register R4H is  $n$ , timer 4 divides the count source signal by  $n + 1.5$  ( $n = 1$  to 255).

When this function is used, set "1" or more to reload register R4H. When bit 1 of register W6 is set to "1", the PWM signal output to CNTR1 pin is switched to valid/invalid each timer 3 underflow. However, when timer 3 is stopped (bit 2 of register W3 is cleared to "0"), this function is canceled.

Even when bit 1 of a register W4 is cleared to "0" in the "H" interval of PWM signal, timer 4 does not stop until it next timer 4 underflow. When clearing bit 1 of register W4 to "0" to stop timer 4 at the use of PWM output function, avoid a timing when timer 4 underflows.



### (13) Timer interrupt request flags (T1F, T2F, T3F, T4F)

Each timer interrupt request flag is set to "1" when each timer underflows. The state of these flags can be examined with the skip instructions (SNZT1, SNZT2, SNZT3, SNZT4).

Use the interrupt control register V1, V2 to select an interrupt or a skip instruction.

An interrupt request flag is cleared to "0" when an interrupt occurs or when the next instruction is skipped with a skip instruction. The timer 1 interrupt request flag (T1F) is not set by the timer 1 underflow signal, it is the flag for detecting the completion of period measurement.

### (14) Precautions

Note the following for the use of timers.

- Prescaler
  - Stop counting and then execute the TABPS instruction to read from prescaler data.
  - Stop counting and then execute the TPSAB instruction to set prescaler data.
- Timer count source
  - Stop timer 1, 2, 3 and 4 counting to change its count source.
- Reading the count value
  - Stop timer 1, 2, 3 or 4 counting and then execute the data read instruction (TAB1, TAB2, TAB3, TAB4) to read its data.
- Writing to the timer
  - Stop timer 1, 2, 3 or 4 counting and then execute the data write instruction (T1AB, T2AB, T3AB, T4AB) to write its data.
- Writing to reload register R1, R3, R4H
  - When writing data to reload register R1, reload register R3 or reload register R4H while timer 1, timer 3 or timer 4 is operating, avoid a timing when timer 1, timer 3 or timer 4 underflows.
- Timer 4
  - Avoid a timing when timer 4 underflows to stop timer 4 at the use of PWM output function.
  - When "H" interval extension function of the PWM signal is set to be "valid", set "1" or more to reload register R4H.
- Period measurement function
  - When a period measurement circuit is used, clear bit 0 of register I1 to "0", and set a timer 1 count start synchronous circuit to be "not selected".
  - Start timer operation immediately after operation of a period measurement circuit is started.
  - When the target edge for measurement is input until timer operation is started from the operation of period measurement circuit is started, the count operation is not executed until the timer operation becomes valid. Accordingly, be careful of count data.
  - When data is read from timer, stop the timer and clear bit 2 of register W5 to "0" to stop the period measurement circuit, and then execute the data read instruction.

Depending on the state of timer 1, the timer 1 interrupt request flag (T1F) may be set to "1" when the period measurement circuit is stopped by clearing bit 2 of register W5 to "0". In order to avoid the occurrence of an unexpected interrupt, clear the bit 2 of register V1 to "0" (refer to Figure 28①) and then, stop the bit 2 of register W5 to "0" to stop the period measurement circuit.

In addition, execute the SNZT1 instruction to clear the T1F flag after executing at least one instruction (refer to Figure 28②).

Also, set the NOP instruction for the case when a skip is performed with the SNZT1 instruction (refer to Figure 28③).

⋮		
LA	0	; (X0XX2)
TV1A		; The SNZT1 instruction is valid ..... ①
LA	0	; (X0XX2)
TW5A		; Period measurement circuit stop
NOP		..... ②
SNZT1		; The SNZT1 instruction is executed (T1F flag cleared)
NOP		..... ③
⋮		
		X : these bits are not used here.

Fig. 28 Period measurement circuit program example

While a period measurement circuit is operating, the timer 1 interrupt request flag (T1F) is not set by the timer 1 underflow signal, it is the flag for detecting the completion of period measurement.

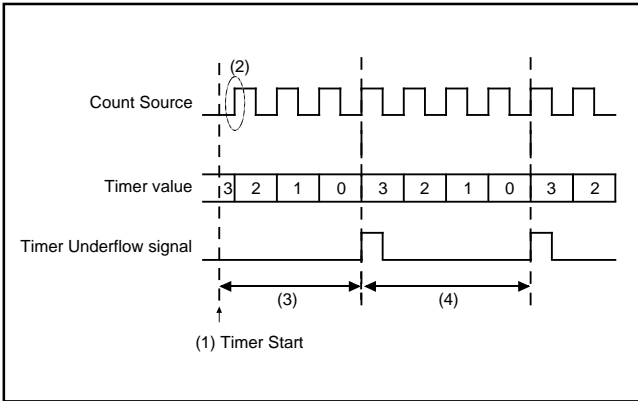
When a period measurement circuit is used, select the sufficiently higher-speed frequency than the signal for measurement for the count source of a timer 1.

When the target signal for period measurement is D6/CNTR0 pin input, do not select D6/CNTR0 pin input as timer 1 count source. (The XIN input is recommended as timer 1 count source at the time of period measurement circuit use.)

When the input of P30/INT0 pin is selected for measurement, set the bit 3 of a register I1 to "1", and set the input of INT0 pin to be enabled.

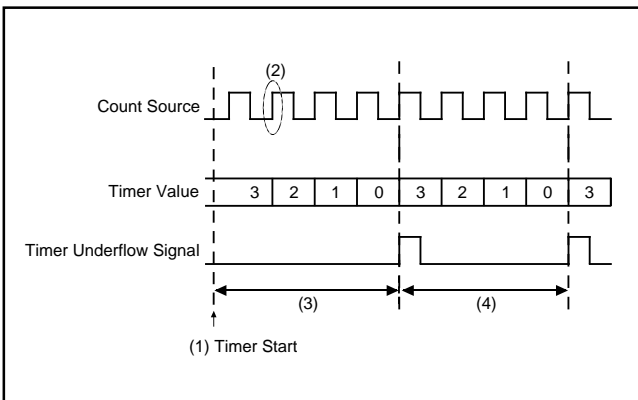


- Prescaler, Timer 1, Timer 2 and Timer 3 count start timing and count time when operation starts  
 Count starts from the first rising edge of the count source (2) after Prescaler, Timer 1, Timer 2 and Timer 3 operations start (1).  
 Time to first underflow (3) is shorter (for up to 1 period of the count source) than time among next underflow (4) by the timing to start the timer and count source operations after count starts.



**Fig. 29 Timer count start timing and count time when operation starts (Prescaler, Timer 1, Timer 2 and Timer 3)**

- Timer 4 count start timing and count time when operation starts  
 Count starts from the rising edge (2) after the first falling edge of the count source, after Timer 4 operations start (1).  
 Time to first underflow (3) is different from time among next underflow (4) by the timing to start the timer and count source operations after count starts.



**Fig. 30 Timer count start timing and count time when operation starts (Timer 4)**

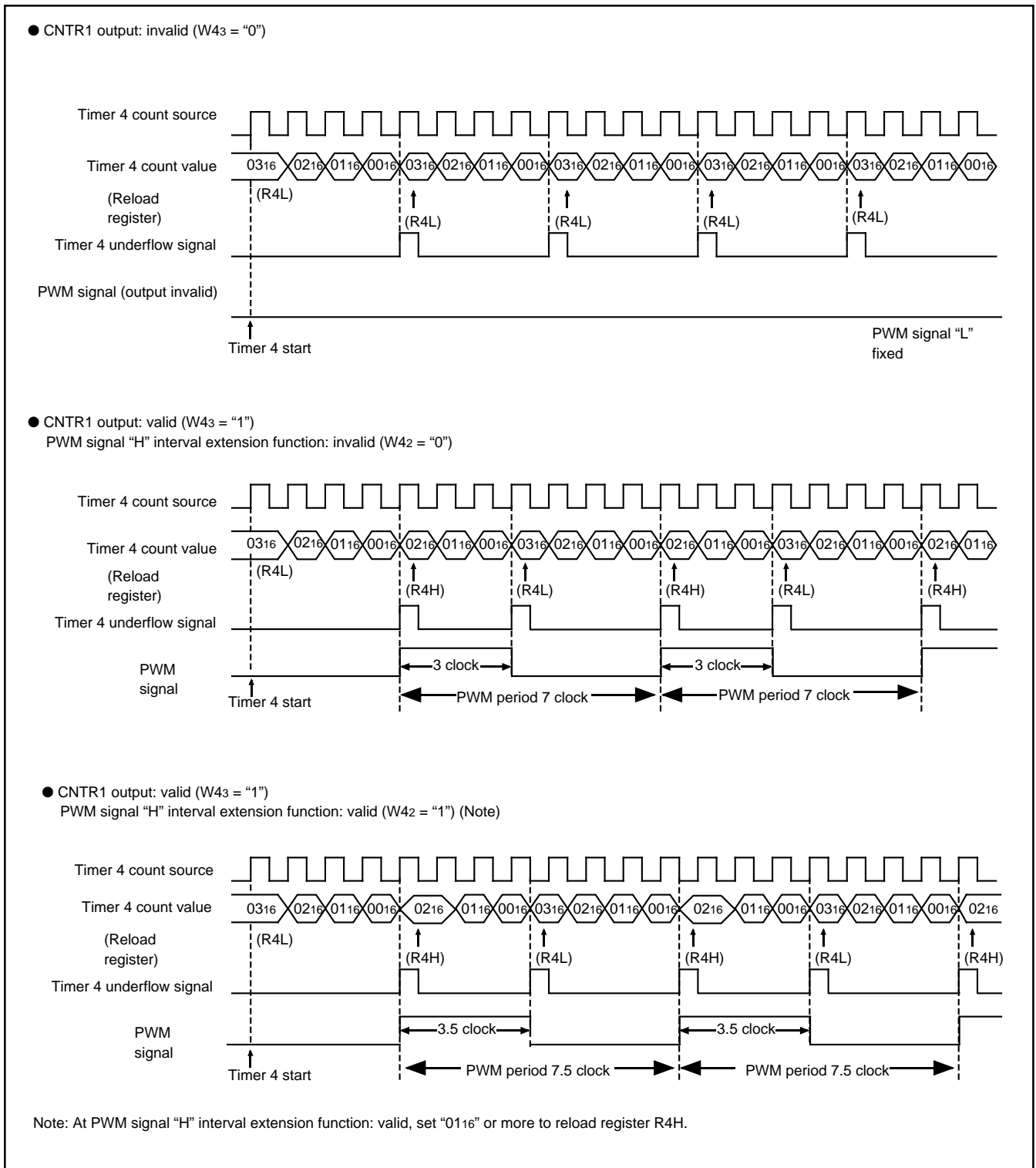
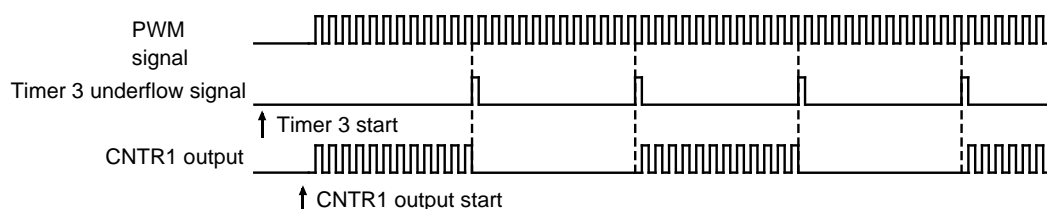


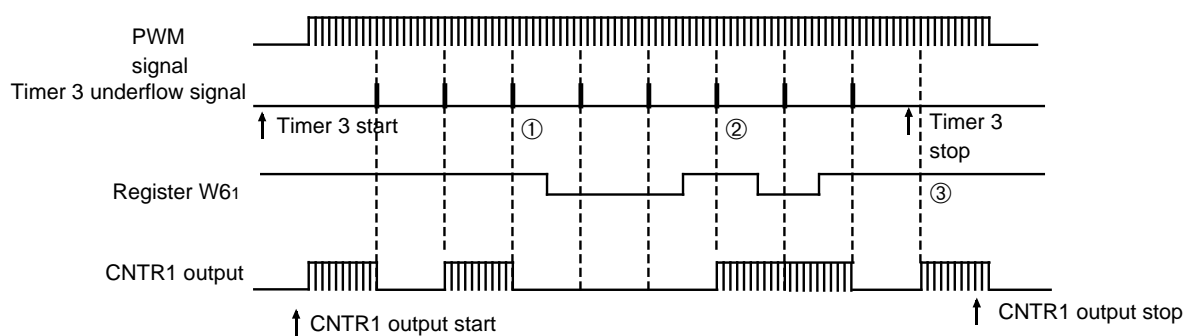
Fig. 31 Timer 4 operation (reload register R4L: "0316", R4H: "0216")

CNTR1 output auto-control circuit by timer 3 is selected.

- CNTR1 output: valid ( $W4_3 = "1"$ )  
CNTR1 output auto-control circuit selected ( $W6_1 = "1"$ )



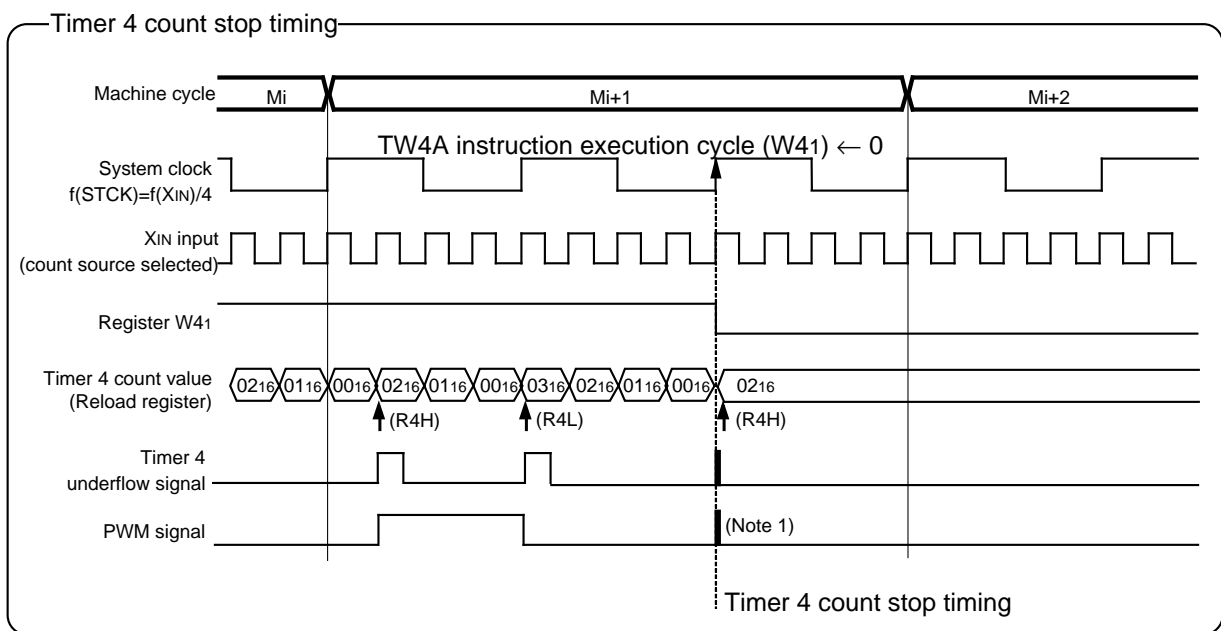
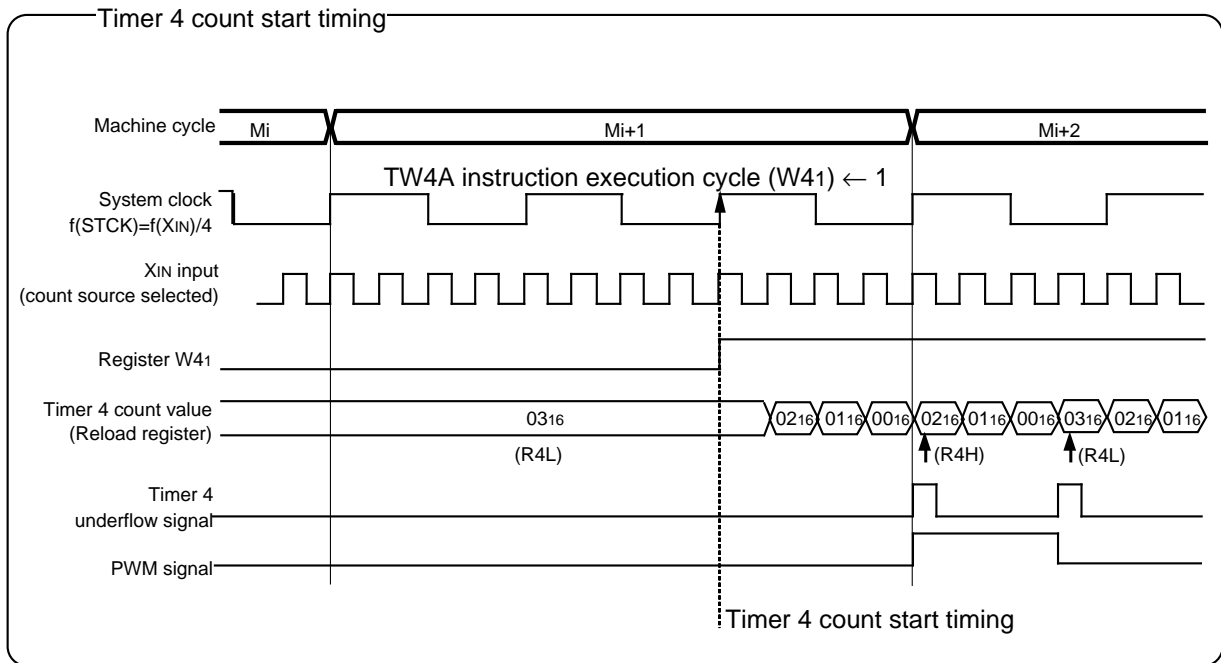
- CNTR1 output auto-control function



- ① When the CNTR1 output auto-control function is set to be invalid while the CNTR1 output is invalid, the CNTR1 output invalid state is retained.
- ② When the CNTR1 output auto-control function is set to be invalid while the CNTR1 output is valid, the CNTR1 output valid state is retained.
- ③ When timer 3 is stopped, the CNTR1 output auto-control function becomes invalid.

Fig. 32 CNTR1 output auto-control function by timer 3

- Waveform extension function of CNTR1 output "H" interval: Invalid ( $W42 = "0"$ ),  
 CNTR1 output: valid ( $W43 = "1"$ ),  
 Count source: XIN input selected ( $W40 = "0"$ ),  
 Reload register R4L: "0316"  
 Reload register R4H: "0216"



Notes 1: In order to stop timer 4 at CNTR1 output valid ( $W43 = "1"$ ), avoid a timing when timer 4 underflows.  
 If these timings overlap, a hazard may occur in a CNTR1 output waveform.  
 2: At CNTR1 output valid, timer 4 stops after "H" interval of PWM signal set by reload register R4H is output.

Fig. 33 Timer 4 count start/stop timing

## WATCHDOG TIMER

Watchdog timer provides a method to reset the system when a program run-away occurs. Watchdog timer consists of timer WDT(16-bit binary counter), watchdog timer enable flag (WEF), and watchdog timer flags (WDF1, WDF2).

The timer WDT downcounts the instruction clocks as the count source from "FFFF<sub>16</sub>" after system is released from reset.

After the count is started, when the timer WDT underflow occurs (after the count value of timer WDT reaches "0000<sub>16</sub>," the next count pulse is input), the WDF1 flag is set to "1."

If the WRST instruction is never executed until the timer WDT underflow occurs (until timer WDT counts 65534), WDF2 flag is set to "1," and the RESET pin outputs "L" level to reset the microcomputer.

Execute the WRST instruction at each period of 65534 machine cycle or less by software when using watchdog timer to keep the microcomputer operating normally.

When the WEF flag is set to "1" after system is released from reset, the watchdog timer function is valid.

When the DWDT instruction and the WRST instruction are executed continuously, the WEF flag is cleared to "0" and the watchdog timer function is invalid.

The WEF flag is set to "1" at system reset or RAM back-up mode. The WRST instruction has the skip function. When the WRST instruction is executed while the WDF1 flag is "1," the WDF1 flag is cleared to "0" and the next instruction is skipped.

When the WRST instruction is executed while the WDF1 flag is "0," the next instruction is not skipped.

The skip function of the WRST instruction can be used even when the watchdog timer function is invalid.

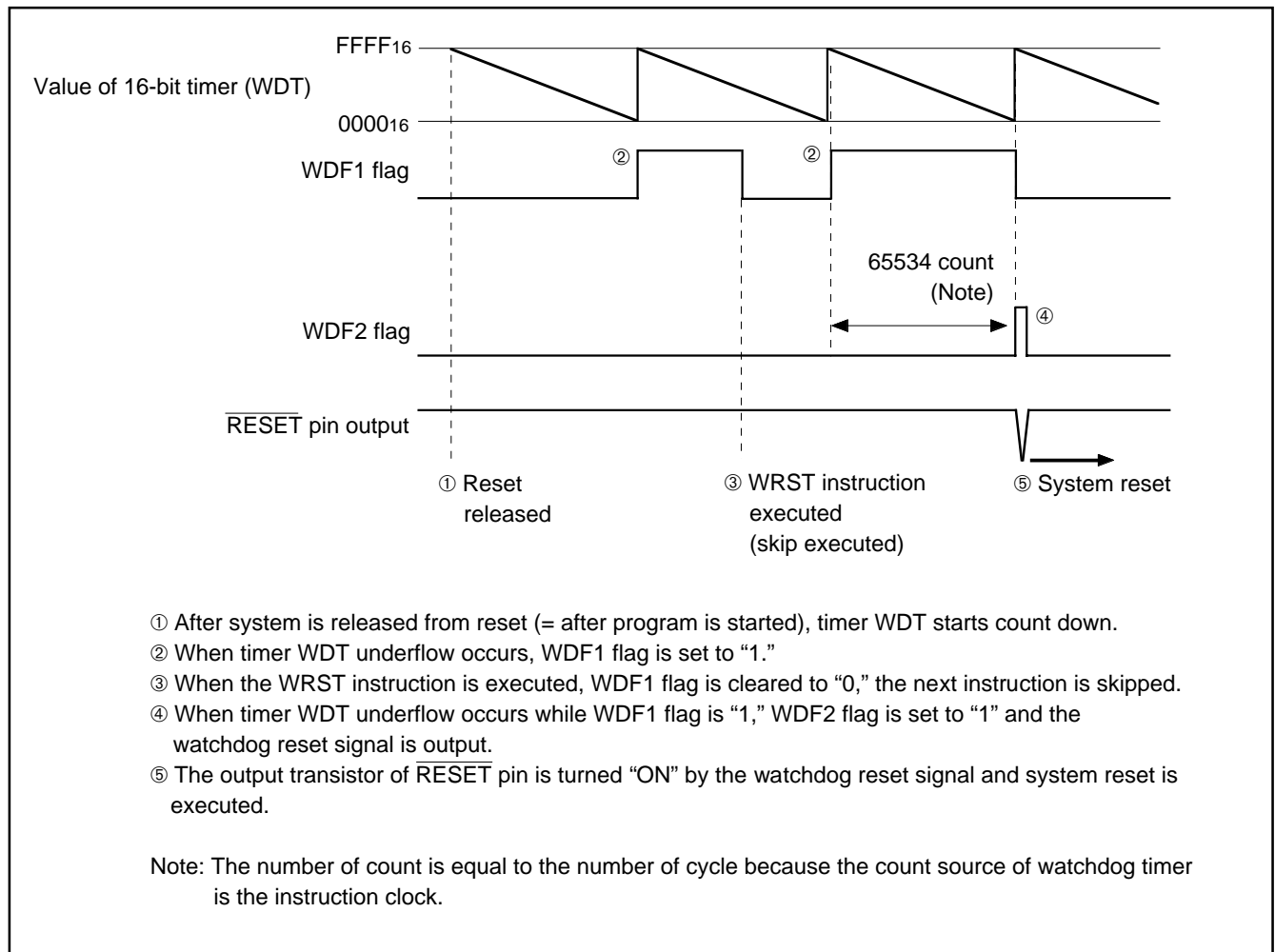


Fig. 34 Watchdog timer function

When the watchdog timer is used, clear the WDF1 flag at the period of 65534 machine cycles or less with the WRST instruction.

When the watchdog timer is not used, execute the DWDT instruction and the WRST instruction continuously (refer to Figure 35).

The watchdog timer is not stopped with only the DWDT instruction. The contents of WDF1 flag and timer WDT are initialized at the RAM back-up mode.

When using the watchdog timer and the RAM back-up mode, initialize the WDF1 flag with the WRST instruction just before the microcomputer enters the RAM back-up state (refer to Figure 36).

The watchdog timer function is valid after system is returned from the RAM back-up. When not using the watchdog timer function, execute the DWDT instruction and the WRST instruction continuously every system is returned from the RAM back-up, and stop the watchdog timer function.

```

:
WRST      ; WDF1 flag cleared
:
DI
DWDT      ; Watchdog timer function enabled/disabled
WRST      ; WEF and WDF1 flags cleared
:

```

**Fig. 35 Program example to start/stop watchdog timer**

```

:
WRST      ; WDF1 flag cleared
NOP
DI         ; Interrupt disabled
EPOF      ; POF instruction enabled
POF
↓
Oscillation stop
:

```

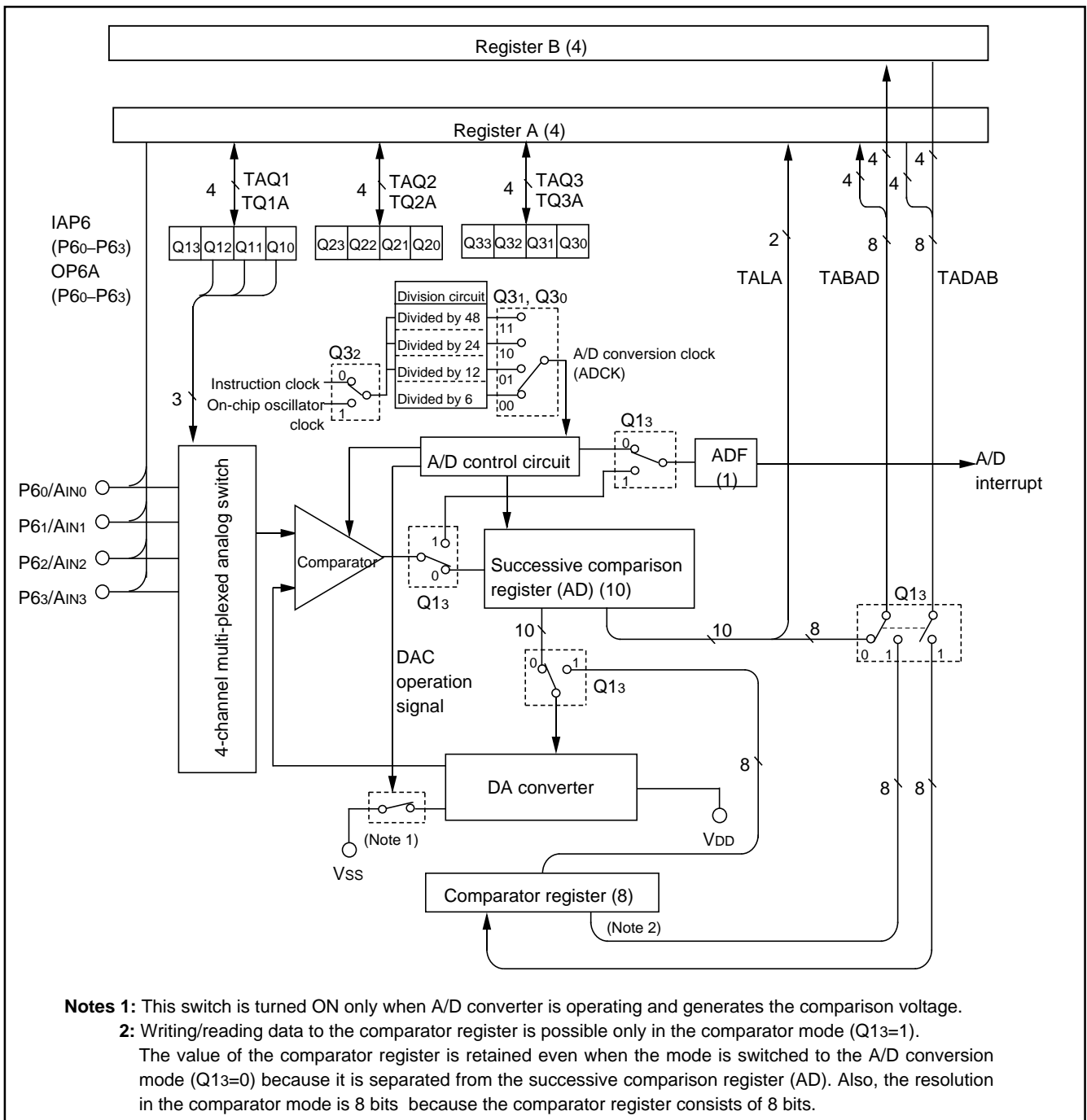
**Fig. 36 Program example to enter the mode when using the watchdog timer**

### A/D CONVERTER (Comparator)

The 4518 Group has a built-in A/D conversion circuit that performs conversion by 10-bit successive comparison method. Table 11 shows the characteristics of this A/D converter. This A/D converter can also be used as an 8-bit comparator to compare analog voltages input from the analog input pin with preset values.

**Table 11 A/D converter characteristics**

Parameter	Characteristics
Conversion format	Successive comparison method
Resolution	10 bits
Relative accuracy	Linearity error: $\pm 2\text{LSB}$ ( $2.7\text{ V} \leq V_{\text{DD}} \leq 5.5\text{ V}$ )
	Differential non-linearity error: $\pm 0.9\text{LSB}$ ( $2.2\text{ V} \leq V_{\text{DD}} \leq 5.5\text{ V}$ )
Conversion speed	$31\ \mu\text{s}$ ( $f(\text{XIN}) = 6\text{ MHz}$ , $\text{STCK} = f(\text{XIN})$ ( $\text{XIN}$ through-mode), $\text{ADCK} = \text{INSTCK}/6$ )
Analog input pin	4



**Fig. 37 A/D conversion circuit structure**

Table 12 A/D control registers

A/D control register Q1		at reset : 00002	at RAM back-up : state retained	R/W TAQ1/TQ1A	
Q13	A/D operation mode selection bit	A/D conversion mode			
		Comparator mode			
Q12	Analog input pin selection bits	Q12	Q11	Q10	Analog input pins
		0	0	0	AIN0
		0	0	1	AIN1
Q11		0	1	0	AIN2
		0	1	1	AIN3
		1	0	0	Not available
		1	0	1	Not available
Q10		1	1	0	Not available
		1	1	1	Not available

A/D control register Q2		at reset : 00002	at RAM back-up : state retained	R/W TAQ2/TQ2A
Q23	Not used	0	This bit has no function, but read/write is enabled.	
		1		
Q22	P62/AIN2, P63/AIN3 pin function selection bit	0	P62, P63	
		1	AIN2, AIN3	
Q21	P61/AIN1 pin function selection bit	0	P61	
		1	AIN1	
Q20	P60/AIN0 pin function selection bit	0	P60	
		1	AIN0	

A/D control register Q3		at reset : 00002	at RAM back-up : state retained	R/W TAQ3/TQ3A
Q33	Not used	0	This bit has no function, but read/write is enabled.	
		1		
Q32	A/D converter operation clock selection bit	0	Instruction clock (INSTCK)	
		1	On-chip oscillator (f(RING))	
Q31	A/D converter operation clock division ratio selection bits	Q31	Q30	Division ratio
		0	0	Frequency divided by 6
		0	1	Frequency divided by 12
Q30		1	0	Frequency divided by 24
		1	1	Frequency divided by 48

Note: "R" represents read enabled, and "W" represents write enabled.



**(1) A/D control register**

- A/D control register Q1  
Register Q1 controls the selection of A/D operation mode and the selection of analog input pins. Set the contents of this register through register A with the TQ1A instruction. The TAQ1 instruction can be used to transfer the contents of register Q1 to register A.
- A/D control register Q2  
Register Q2 controls the selection of P60/AIN0–P63/AIN3. Set the contents of this register through register A with the TQ2A instruction. The TAQ2 instruction can be used to transfer the contents of register Q2 to register A.
- A/D control register Q3  
Register Q3 controls the selection of A/D converter operation clock. Set the contents of this register through register A with the TQ3A instruction. The TAQ3 instruction can be used to transfer the contents of register Q3 to register A.

**(2) Operating at A/D conversion mode**

The A/D conversion mode is set by setting the bit 3 of register Q1 to “0.”

**(3) Successive comparison register AD**

Register AD stores the A/D conversion result of an analog input in 10-bit digital data format. The contents of the high-order 8 bits of this register can be stored in register B and register A with the TABAD instruction. The contents of the low-order 2 bits of this register can be stored into the high-order 2 bits of register A with the TALA instruction. However, do not execute these instructions during A/D conversion.

When the contents of register AD is n, the logic value of the comparison voltage Vref generated from the built-in DA converter can be obtained with the reference voltage VDD by the following formula:

Logic value of comparison voltage Vref

$$V_{ref} = \frac{V_{DD}}{1024} \times n$$

n: The value of register AD (n = 0 to 1023)

**(4) A/D conversion completion flag (ADF)**

A/D conversion completion flag (ADF) is set to “1” when A/D conversion completes. The state of ADF flag can be examined with the skip instruction (SNZAD). Use the interrupt control register V2 to select the interrupt or the skip instruction.

The ADF flag is cleared to “0” when the interrupt occurs or when the next instruction is skipped with the skip instruction.

**(5) A/D conversion start instruction (ADST)**

A/D conversion starts when the ADST instruction is executed. The conversion result is automatically stored in the register AD.

**(6) Operation description**

A/D conversion is started with the A/D conversion start instruction (ADST). The internal operation during A/D conversion is as follows:

- ① When the A/D conversion starts, the register AD is cleared to “00016.”
- ② Next, the topmost bit of the register AD is set to “1,” and the comparison voltage Vref is compared with the analog input voltage VIN.
- ③ When the comparison result is Vref < VIN, the topmost bit of the register AD remains set to “1.” When the comparison result is Vref > VIN, it is cleared to “0.”

The 4518 Group repeats this operation to the lowermost bit of the register AD to convert an analog value to a digital value. A/D conversion stops after 2 machine cycles + A/D conversion clock (31 μs when f(XIN) = 6.0 MHz in XIN through mode, f(ADCK) = f(INSTCK)/6) from the start, and the conversion result is stored in the register AD. An A/D interrupt activated condition is satisfied and the ADF flag is set to “1” as soon as A/D conversion completes (Figure 38).

**Table 13 Change of successive comparison register AD during A/D conversion**

At starting conversion	Change of successive comparison register AD							Comparison voltage (Vref) value		
1st comparison	1	0	0	-----	0	0	0	$\frac{V_{DD}}{2}$		
2nd comparison	*1	1	0	-----	0	0	0	$\frac{V_{DD}}{2} \pm \frac{V_{DD}}{4}$		
3rd comparison	*1	*2	1	-----	0	0	0	$\frac{V_{DD}}{2} \pm \frac{V_{DD}}{4} \pm \frac{V_{DD}}{8}$		
After 10th comparison completes	A/D conversion result							$\frac{V_{DD}}{2} \pm \dots \pm \frac{V_{DD}}{1024}$		
	*1	*2	*3	-----	*8	*9	*A			

- \*1: 1st comparison result
- \*2: 2nd comparison result
- \*3: 3rd comparison result
- \*8: 8th comparison result
- \*9: 9th comparison result
- \*A: 10th comparison result

## (7) A/D conversion timing chart

Figure 38 shows the A/D conversion timing chart.

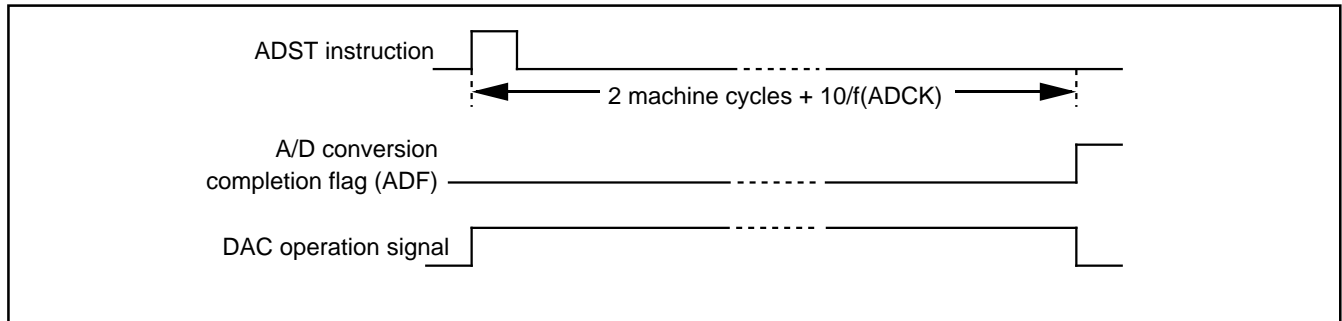


Fig. 38 A/D conversion timing chart

## (8) How to use A/D conversion

How to use A/D conversion is explained using as example in which the analog input from P60/AIN0 pin is A/D converted, and the high-order 4 bits of the converted data are stored in address  $M(Z, X, Y) = (0, 0, 0)$ , the middle-order 4 bits in address  $M(Z, X, Y) = (0, 0, 1)$ , and the low-order 2 bits in address  $M(Z, X, Y) = (0, 0, 2)$  of RAM. The A/D interrupt is not used in this example.

Instruction clock/6 is selected as the A/D converter operation clock.

- ① Select the AIN0 pin function with the bit 0 of the register Q2. Select the AIN0 pin function and A/D conversion mode with the register Q1. Also, the instruction clock divided by 6 is selected with the register Q3. (refer to Figure 39)
- ② Execute the ADST instruction and start A/D conversion.
- ③ Examine the state of ADF flag with the SNZAD instruction to determine the end of A/D conversion.
- ④ Transfer the low-order 2 bits of converted data to the high-order 2 bits of register A (TALA instruction).
- ⑤ Transfer the contents of register A to  $M(Z, X, Y) = (0, 0, 2)$ .
- ⑥ Transfer the high-order 8 bits of converted data to registers A and B (TABAD instruction).
- ⑦ Transfer the contents of register A to  $M(Z, X, Y) = (0, 0, 1)$ .
- ⑧ Transfer the contents of register B to register A, and then, store into  $M(Z, X, Y) = (0, 0, 0)$ .

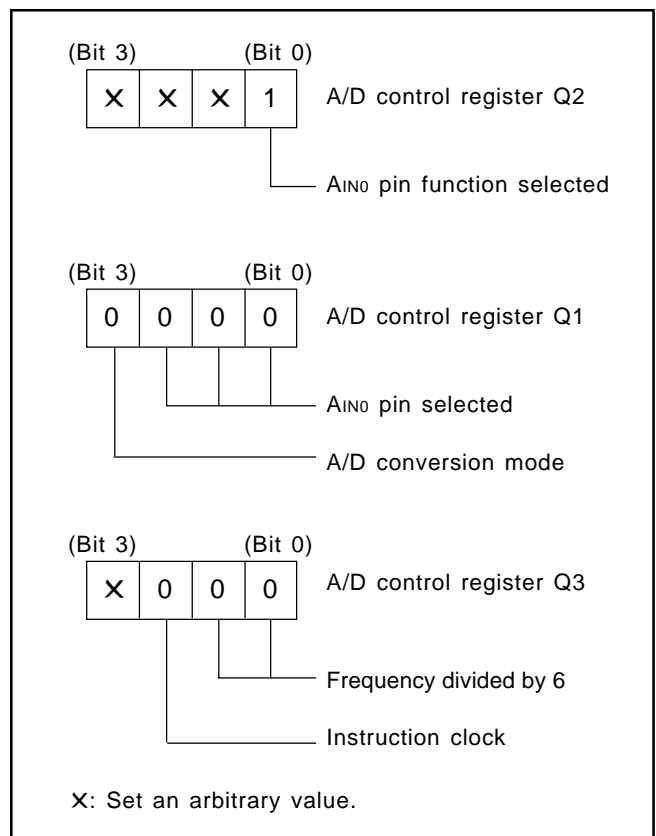


Fig. 39 Setting registers

### (9) Operation at comparator mode

The A/D converter is set to comparator mode by setting bit 3 of the register Q1 to "1."

Below, the operation at comparator mode is described.

### (10) Comparator register

In comparator mode, the built-in DA comparator is connected to the 8-bit comparator register as a register for setting comparison voltages. The contents of register B is stored in the high-order 4 bits of the comparator register and the contents of register A is stored in the low-order 4 bits of the comparator register with the TADAB instruction.

When changing from A/D conversion mode to comparator mode, the result of A/D conversion (register AD) is undefined.

However, because the comparator register is separated from register AD, the value is retained even when changing from comparator mode to A/D conversion mode. Note that the comparator register can be written and read at only comparator mode.

If the value in the comparator register is  $n$ , the logic value of comparison voltage  $V_{ref}$  generated by the built-in DA converter can be determined from the following formula:

Logic value of comparison voltage  $V_{ref}$

$$V_{ref} = \frac{V_{DD}}{256} \times n$$

$n$ : The value of register AD ( $n = 0$  to  $255$ )

### (11) Comparison result store flag (ADF)

In comparator mode, the ADF flag, which shows completion of A/D conversion, stores the results of comparing the analog input voltage with the comparison voltage. When the analog input voltage is lower than the comparison voltage, the ADF flag is set to "1." The state of ADF flag can be examined with the skip instruction (SNZAD). Use the interrupt control register V2 to select the interrupt or the skip instruction.

The ADF flag is cleared to "0" when the interrupt occurs or when the next instruction is skipped with the skip instruction.

### (12) Comparator operation start instruction (ADST instruction)

In comparator mode, executing ADST starts the comparator operating.

The comparator stops 2 machine cycles + A/D conversion clock  $f(ADCK)$  1 clock after it has started ( $4 \mu\text{s}$  at  $f(XIN) = 6.0 \text{ MHz}$  in  $XIN$  through mode,  $f(ADCK) = f(INSTCK)/6$ ). When the analog input voltage is lower than the comparison voltage, the ADF flag is set to "1."

### (13) Notes for the use of A/D conversion

- TALA instruction

When the TALA instruction is executed, the low-order 2 bits of register AD is transferred to the high-order 2 bits of register A, simultaneously, the low-order 2 bits of register A is "0."

- Operation mode of A/D converter

Do not change the operating mode (both A/D conversion mode and comparator mode) of A/D converter with the bit 3 of register Q1 while the A/D converter is operating.

Clear the bit 2 of register V2 to "0" to change the operating mode of the A/D converter from the comparator mode to A/D conversion mode.

The A/D conversion completion flag (ADF) may be set when the operating mode of the A/D converter is changed from the comparator mode to the A/D conversion mode. Accordingly, set a value to the register Q1, and execute the SNZAD instruction to clear the ADF flag.

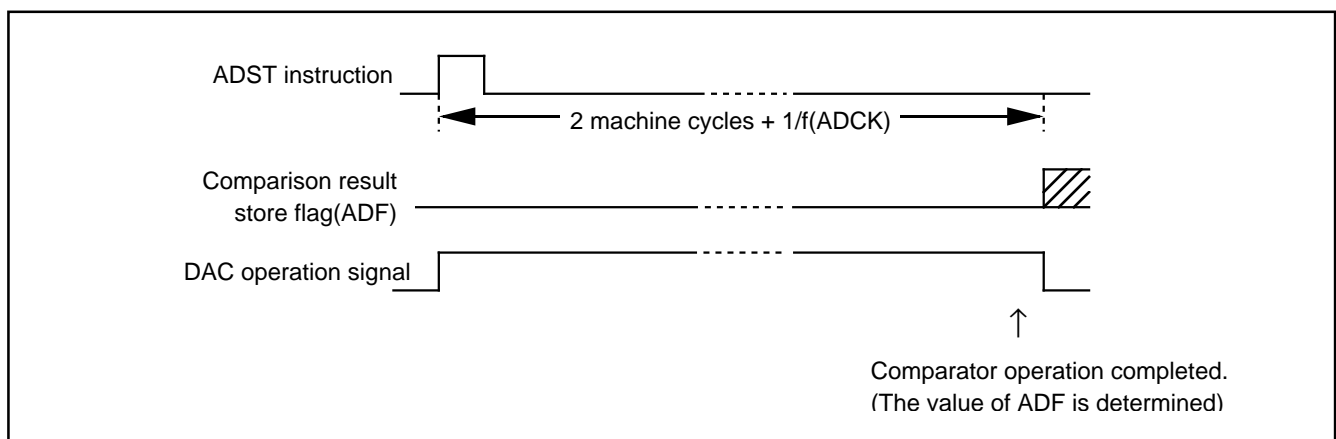


Fig. 40 Comparator operation timing chart

**(14) Definition of A/D converter accuracy**

The A/D conversion accuracy is defined below (refer to Figure 41).

• Relative accuracy

① Zero transition voltage ( $V_{0T}$ )

This means an analog input voltage when the actual A/D conversion output data changes from “0” to “1.”

② Full-scale transition voltage ( $V_{FST}$ )

This means an analog input voltage when the actual A/D conversion output data changes from “1023” to “1022.”

③ Linearity error

This means a deviation from the line between  $V_{0T}$  and  $V_{FST}$  of a converted value between  $V_{0T}$  and  $V_{FST}$ .

④ Differential non-linearity error

This means a deviation from the input potential difference required to change a converter value between  $V_{0T}$  and  $V_{FST}$  by 1 LSB at the relative accuracy.

$V_n$ : Analog input voltage when the output data changes from “n” to “n+1” (n = 0 to 1022)

• 1LSB at relative accuracy  $\rightarrow \frac{V_{FST}-V_{0T}}{1022}$  (V)

• 1LSB at absolute accuracy  $\rightarrow \frac{V_{DD}}{1024}$  (V)

• Absolute accuracy

This means a deviation from the ideal characteristics between 0 to  $V_{DD}$  of actual A/D conversion characteristics.

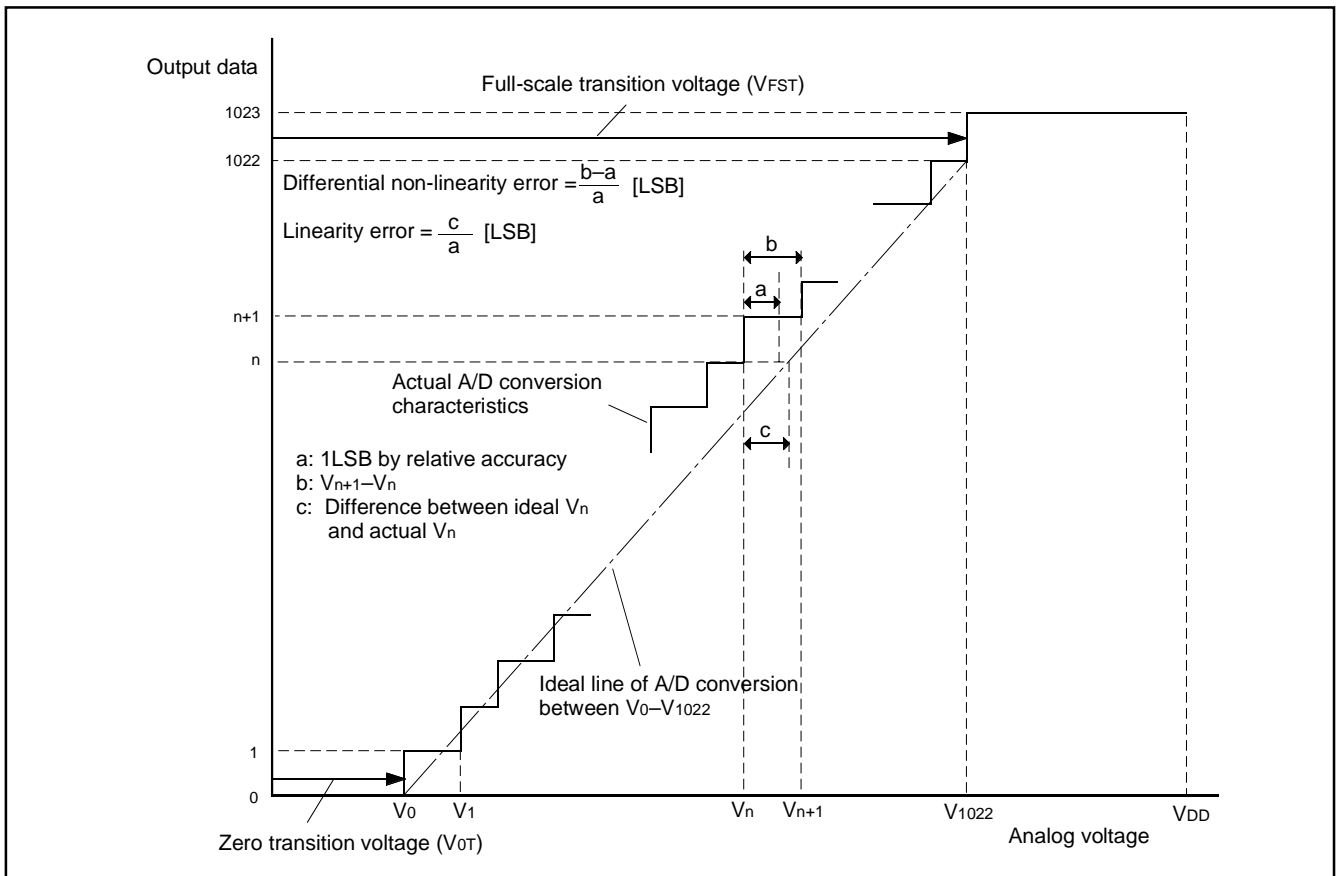


Fig. 41 Definition of A/D conversion accuracy

**SERIAL INTERFACE**

The 4518 Group has a built-in clock synchronous serial I/O which can serially transmit or receive 8-bit data.

Serial I/O consists of;

- serial I/O register SI
- serial I/O control register J1
- serial I/O transmit/receive completion flag (SIOF)
- serial I/O counter

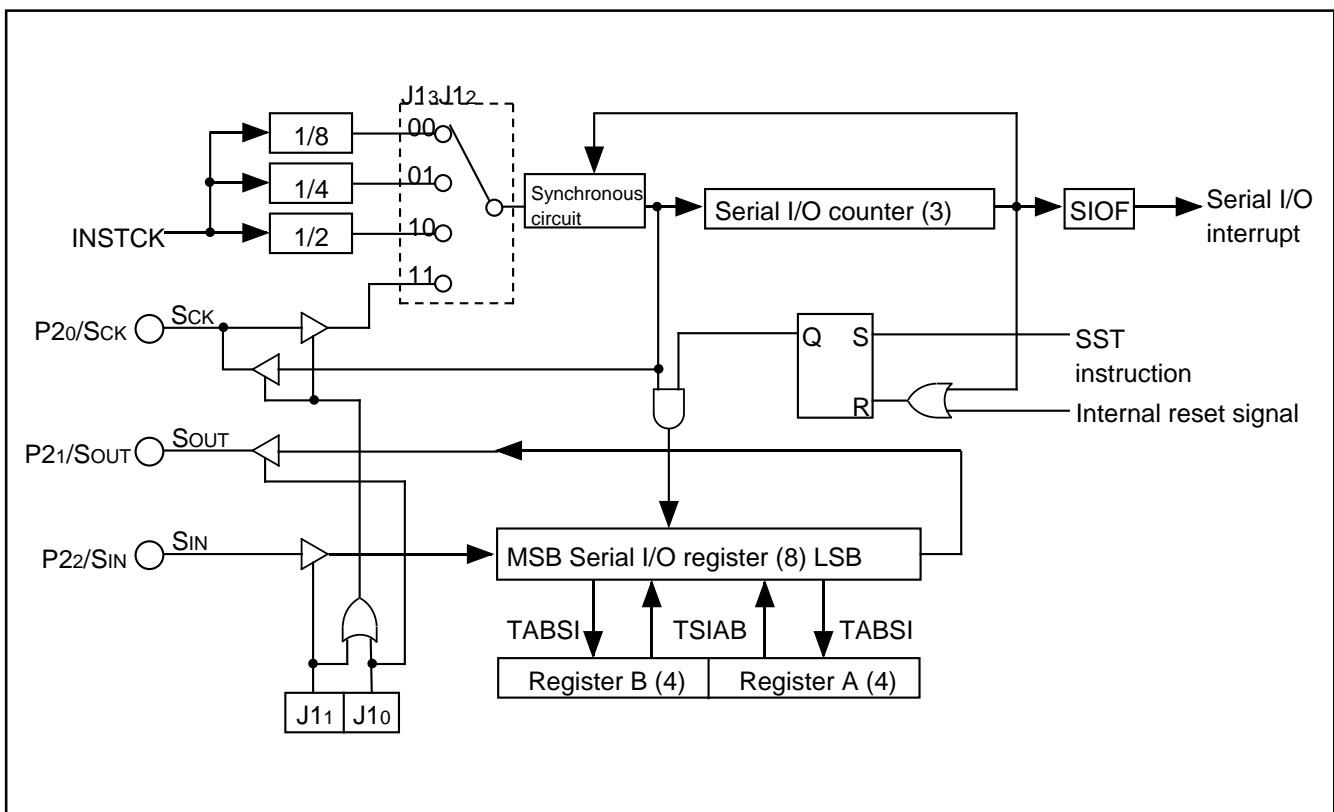
Registers A and B are used to perform data transfer with internal CPU, and the serial I/O pins are used for external data transfer.

The pin functions of the serial I/O pins can be set with the register J1.

**Table 14 Serial I/O pins**

Pin	Pin function when selecting serial I/O
P20/SCK	Clock I/O (SCK)
P21/SOUT	Serial data output (SOUT)
P22/SIN	Serial data input (SIN)

Note: Even when the SCK, SOUT, SIN pin functions are used, the input of P20, P21, P22 are valid.



**Fig. 42 Serial I/O structure**

**Table 15 Serial I/O control register**

Serial I/O control register J1		at reset : 00002		at RAM back-up : state retained	R/W TAJ1/TJ1A
J13	Serial I/O synchronous clock selection bits	J13	J12	Synchronous clock	
		0	0	Instruction clock (INSTCK) divided by 8	
		0	1	Instruction clock (INSTCK) divided by 4	
		1	0	Instruction clock (INSTCK) divided by 2	
J12		1	1	External clock (SCK input)	
J11	Serial I/O port function selection bits	J11	J10	Port function	
		0	0	P20, P21,P22 selected/SCK, SOUT, SIN not selected	
		0	1	SCK, SOUT, P22 selected/P20, P21, SIN not selected	
		1	0	SCK, P21, SIN selected/P20, SOUT, P22 not selected	
J10		1	1	SCK, SOUT, SIN selected/P20, P21,P22 not selected	

Note: "R" represents read enabled, and "W" represents write enabled.

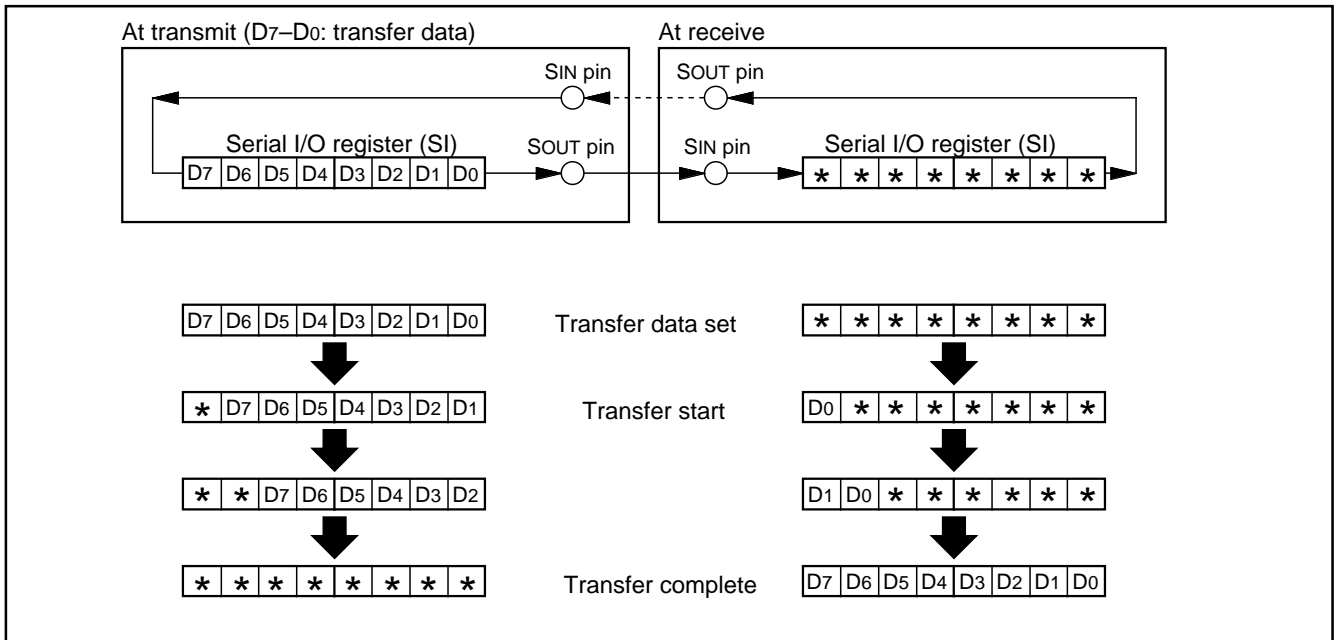


Fig. 43 Serial I/O register state when transferring

### (1) Serial I/O register SI

Serial I/O register SI is the 8-bit data transfer serial/parallel conversion register. Data can be set to register SI through registers A and B with the TSIAB instruction. The contents of register A is transmitted to the low-order 4 bits of register SI, and the contents of register B is transmitted to the high-order 4 bits of register SI. During transmission, each bit data is transmitted LSB first from the lowermost bit (bit 0) of register SI, and during reception, each bit data is received LSB first to register SI starting from the topmost bit (bit 7).

When register SI is used as a work register without using serial I/O, do not select the SCK pin.

### (2) Serial I/O transmit/receive completion flag (SIOF)

Serial I/O transmit/receive completion flag (SIOF) is set to "1" when serial data transmission or reception completes. The state of SIOF flag can be examined with the skip instruction (SNZSI). Use the interrupt control register V2 to select the interrupt or the skip instruction.

The SIOF flag is cleared to "0" when the interrupt occurs or when the next instruction is skipped with the skip instruction.

### (3) Serial I/O start instruction (SST)

When the SST instruction is executed, the SIOF flag is cleared to "0" and then serial I/O transmission/reception is started.

### (4) Serial I/O control register J1

Register J1 controls the synchronous clock, P20/SCK, P21/SOUT and P22/SIN pin function. Set the contents of this register through register A with the TJ1A instruction. The TAJ1 instruction can be used to transfer the contents of register J1 to register A.

**(5) How to use serial I/O**

Figure 44 shows the serial I/O connection example. Serial I/O interrupt is not used in this example. In the actual wiring, pull up the

wiring between each pin with a resistor. Figure 44 shows the data transfer timing and Table 16 shows the data transfer sequence.

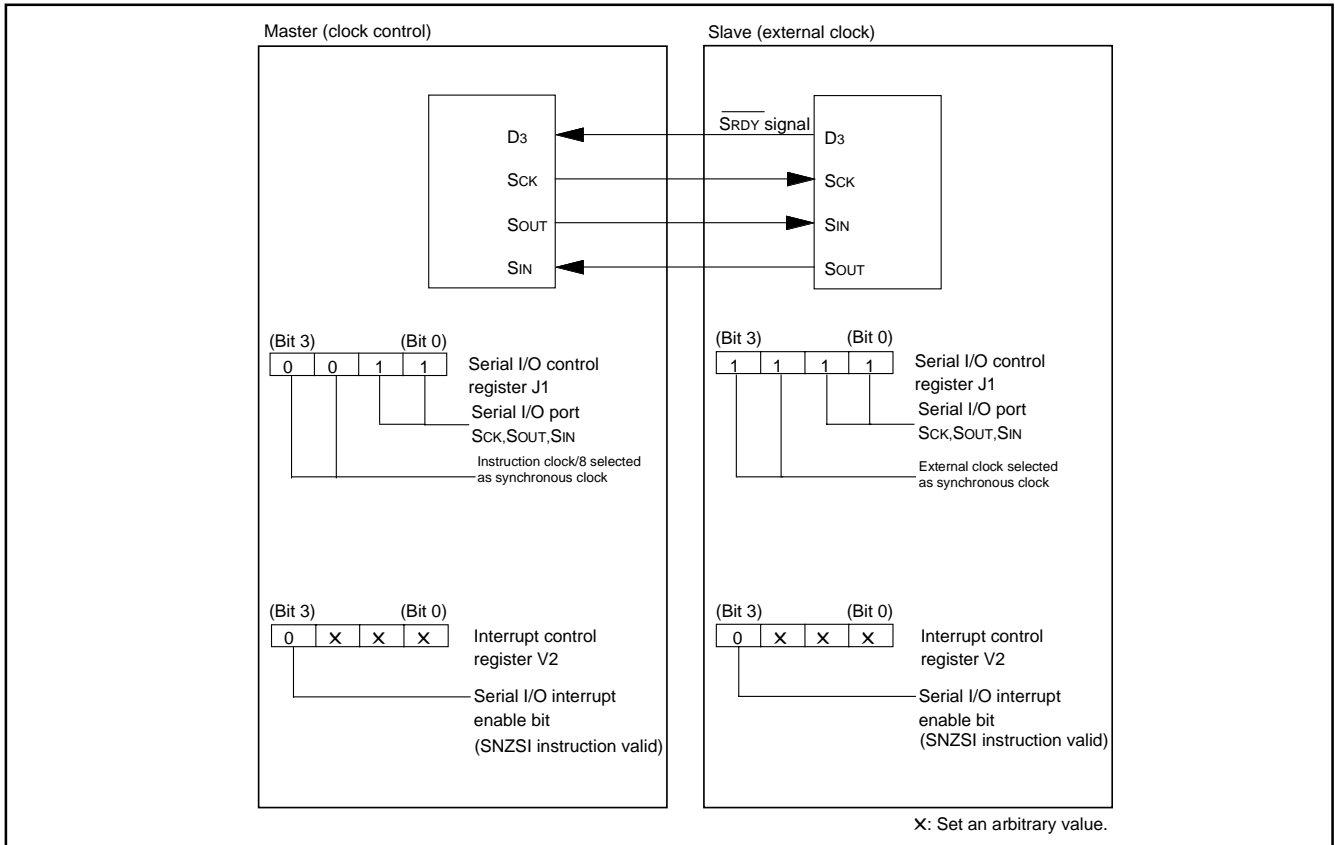


Fig. 44 Serial I/O connection example

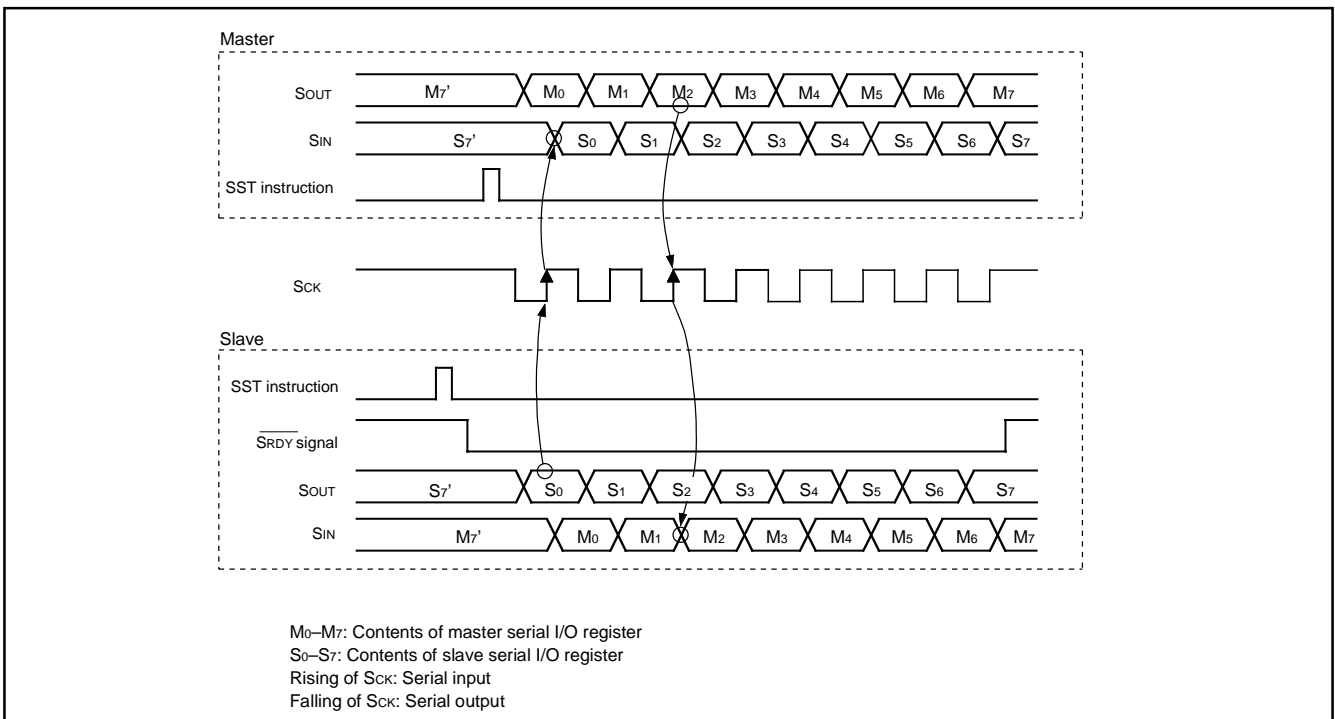


Fig. 45 Timing of serial I/O data transfer

**Table 16 Processing sequence of data transfer from master to slave**

Master (transmission)	Slave (reception)
[Initial setting] • Setting the serial I/O mode register J1 and interrupt control register V2 shown in Figure 44.	[Initial setting] • Setting serial I/O mode register J1, and interrupt control register V2 shown in Figure 44.
TJ1A and TV2A instructions	TJ1A and TV2A instructions
• Setting the port received the reception enable signal (SRDY) to the input mode. (Port D3 is used in this example)	• Setting the port transmitted the reception enable signal (SRDY) and outputting "H" level (reception impossible). (Port D3 is used in this example)
SD instruction	SD instruction
* [Transmission enable state] • Storing transmission data to serial I/O register SI.	*[Reception enable state] • The SIOF flag is cleared to "0."
TSIAB instruction	SST instruction
	• "L" level (reception possible) is output from port D3.
	RD instruction
[Transmission] • Check port D3 is "L" level.	[Reception]
SZD instruction	
• Serial transfer starts.	
SST instruction	
• Check transmission completes.	• Check reception completes.
SNZSI instruction	SNZSI instruction
• Wait (timing when continuously transferring)	• "H" level is output from port D3.
	SD instruction
	[Data processing]

1-byte data is serially transferred on this process. Subsequently, data can be transferred continuously by repeating the process from \*.

When an external clock is selected as a synchronous clock, the clock is not controlled internally. Control the clock externally because serial transfer is performed as long as clock is externally input. (Unlike an internal clock, an external clock is not stopped when serial transfer is completed.) However, the SIOF flag is set to "1" when the clock is counted 8 times after executing the SST instruction. Be sure to set the initial level of the external clock to "H."



### RESET FUNCTION

System reset is performed by applying "L" level to  $\overline{\text{RESET}}$  pin for 1 machine cycle or more when the following condition is satisfied; the value of supply voltage is the minimum value or more of the recommended operating conditions. Then when "H" level is applied to  $\overline{\text{RESET}}$  pin, software starts from address 0 in page 0.

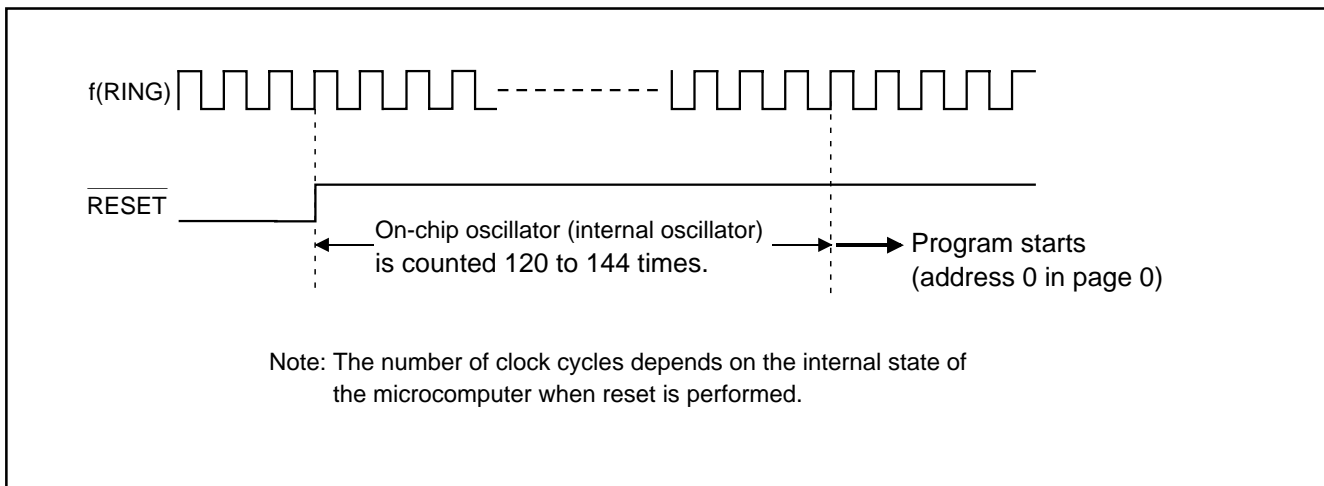


Fig. 46 Reset release timing

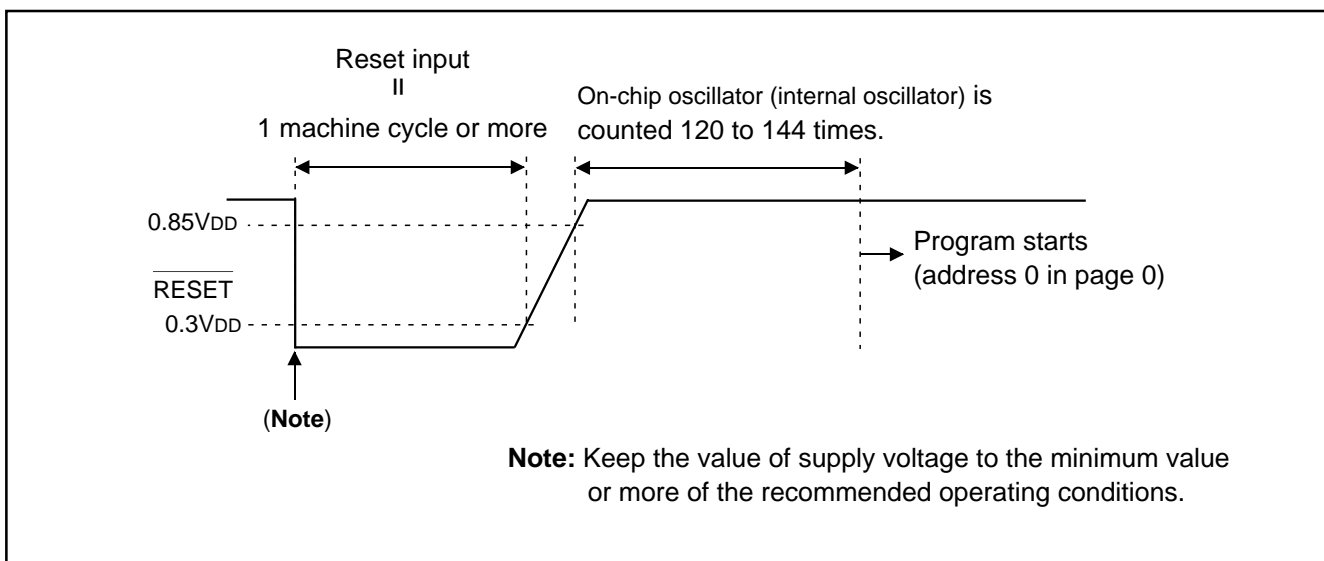
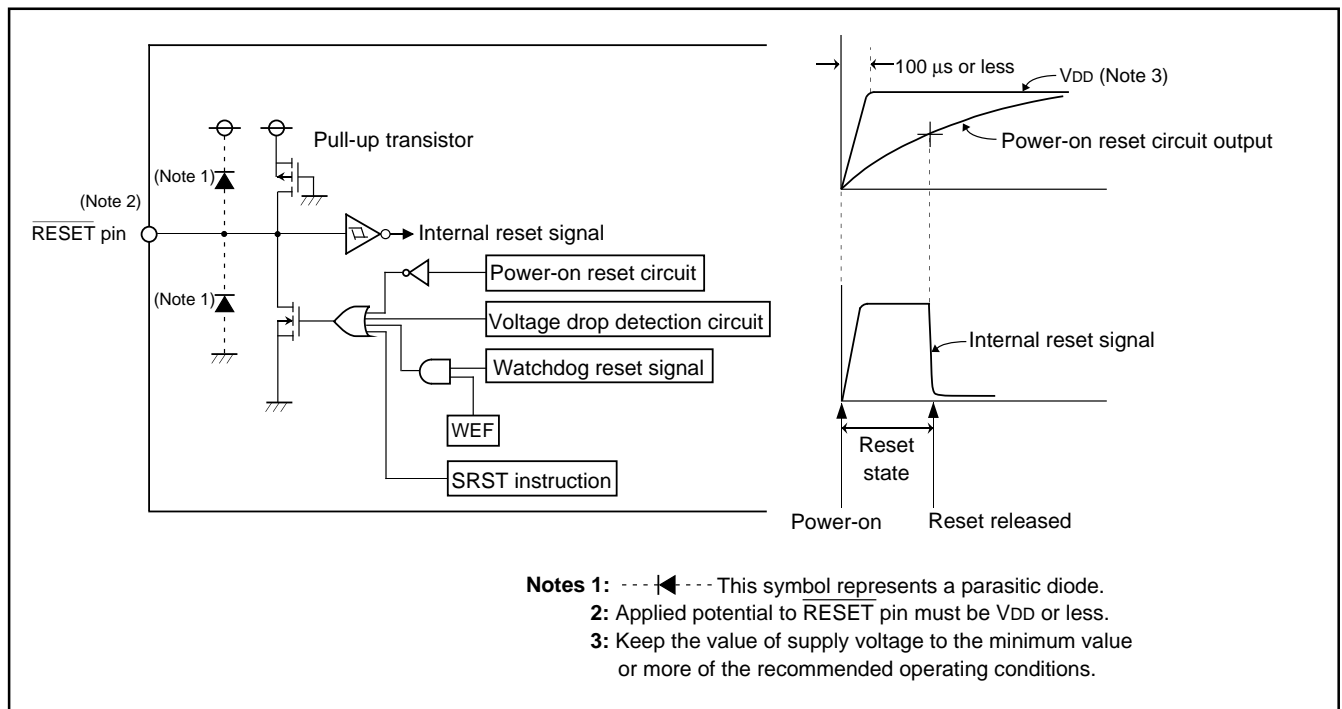


Fig. 47  $\overline{\text{RESET}}$  pin input waveform and reset operation

**(1) Power-on reset**

Reset can be automatically performed at power on (power-on reset) by the built-in power-on reset circuit. When the built-in power-on reset circuit is used, the time for the supply voltage to rise from 0 V until the value of supply voltage reaches the minimum operating voltage must be set to 100  $\mu$ s or less.

If the rising time exceeds 100  $\mu$ s, connect a capacitor between the RESET pin and VSS at the shortest distance, and input “L” level to RESET pin until the value of supply voltage reaches the minimum operating voltage.



**Fig. 48 Structure of reset pin and its peripherals,, and power-on reset operation**

**Table 1 Port state at reset**

Name	Function	State
D0–D5	D0–D5	High-impedance (Notes 1, 2)
D6/CNTR0	D6	High-impedance (Notes 1, 2)
D7/CNTR1	D7	High-impedance (Notes 1, 2)
P00–P03	P00–P03	High-impedance (Notes 1, 2, 3)
P10–P13	P10–P13	High-impedance (Notes 1, 2, 3)
P20/Sck, P21/SOUT, P22/SIN	P20–P22	High-impedance (Note 1)
P30/INT0, P31/INT1	P30, P31	High-impedance (Note 1)
P60/AIN0–P63/AIN3	P60–P63	High-impedance (Note 1)

Notes 1: Output latch is set to “1.”  
 2: Output structure is N-channel open-drain.  
 3: Pull-up transistor is turned OFF.

## (2) Internal state at reset

Figure 49 and 50 show internal state at reset (they are the same after system is released from reset). The contents of timers, registers, flags and RAM except shown in Figure are undefined, so set the initial value to them.

• Program counter (PC) .....	0 0 0 0 0 0 0 0 0 0 0 0 0 0 0 0	
Address 0 in page 0 is set to program counter.		
• Interrupt enable flag (INTE) .....	0	(Interrupt disabled)
• Power down flag (P) .....	0	
• External 0 interrupt request flag (EXF0) .....	0	
• External 1 interrupt request flag (EXF1) .....	0	
• Interrupt control register V1 .....	0 0 0 0	(Interrupt disabled)
• Interrupt control register V2 .....	0 0 0 0	(Interrupt disabled)
• Interrupt control register I1 .....	0 0 0 0	
• Interrupt control register I2 .....	0 0 0 0	
• Timer 1 interrupt request flag (T1F) .....	0	
• Timer 2 interrupt request flag (T2F) .....	0	
• Timer 3 interrupt request flag (T3F) .....	0	
• Timer 4 interrupt request flag (T4F) .....	0	
• Watchdog timer flags (WDF1, WDF2) .....	0	
• Watchdog timer enable flag (WEF) .....	1	
• Timer control register PA .....	0	(Prescaler stopped)
• Timer control register W1 .....	0 0 0 0	(Timer 1 stopped)
• Timer control register W2 .....	0 0 0 0	(Timer 2 stopped)
• Timer control register W3 .....	0 0 0 0	(Timer 3 stopped)
• Timer control register W4 .....	0 0 0 0	(Timer 4 stopped)
• Timer control register W5 .....	0 0 0 0	(Period measurement circuit stopped)
• Timer control register W6 .....	0 0 0 0	
• Clock control register MR .....	1 1 1 1	
• Clock control register RG .....	0	(On-chip oscillator operating)
• Serial I/O transmit/receive completion flag (SIOF) .....	0	
• Serial I/O mode register J1 .....	0 0 0 0	(External clock selected, serial I/O port not selected)
• Serial I/O register SI .....	X X X X X X X X X	
• A/D conversion completion flag (ADF) .....	0	
• A/D control register Q1 .....	0 0 0 0	
• A/D control register Q2 .....	0 0 0 0	
• A/D control register Q3 .....	0 0 0 0	
• Successive comparison register AD .....	X X X X X X X X X X	
• Comparator register .....	X X X X X X X X	
• Key-on wakeup control register K0 .....	0 0 0 0	
• Key-on wakeup control register K1 .....	0 0 0 0	
• Key-on wakeup control register K2 .....	0 0 0 0	
• Pull-up control register PU0 .....	0 0 0 0	
• Pull-up control register PU1 .....	0 0 0 0	

“X” represents undefined.

Fig. 49 Internal state at reset 1

• Port output structure control register FR0 .....	0	0	0	0				
• Port output structure control register FR1 .....	0	0	0	0				
• Port output structure control register FR2 .....	0	0	0	0				
• Carry flag (CY) .....	0							
• Register A .....	0	0	0	0				
• Register B .....	0	0	0	0				
• Register D .....	X	X	X					
• Register E .....	X	X	X	X	X	X	X	X
• Register X .....	0	0	0	0				
• Register Y .....	0	0	0	0				
• Register Z .....	X	X						
• Stack pointer (SP) .....	1	1	1					
• Operation source clock .....	On-chip oscillator (operating)							
• Ceramic resonator circuit .....	Stop							
• RC oscillation circuit .....	Stop							
• Quartz-crystal oscillation circuit .....	Stop							

"X" represents undefined.

Fig. 50 Internal state at reset 2

### VOLTAGE DROP DETECTION CIRCUIT

The built-in voltage drop detection circuit is designed to detect a drop in voltage and to reset the microcomputer if the supply voltage drops below a set value.

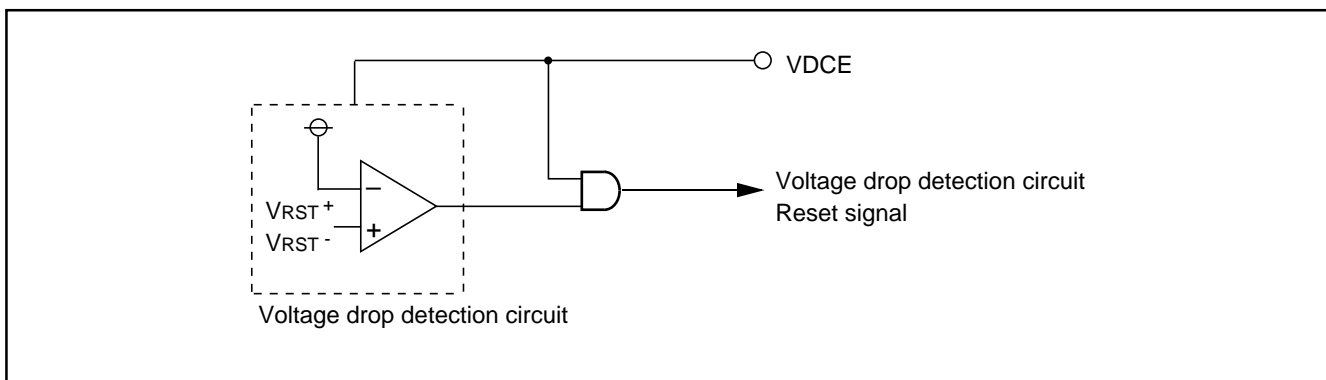


Fig. 51 Voltage drop detection reset circuit

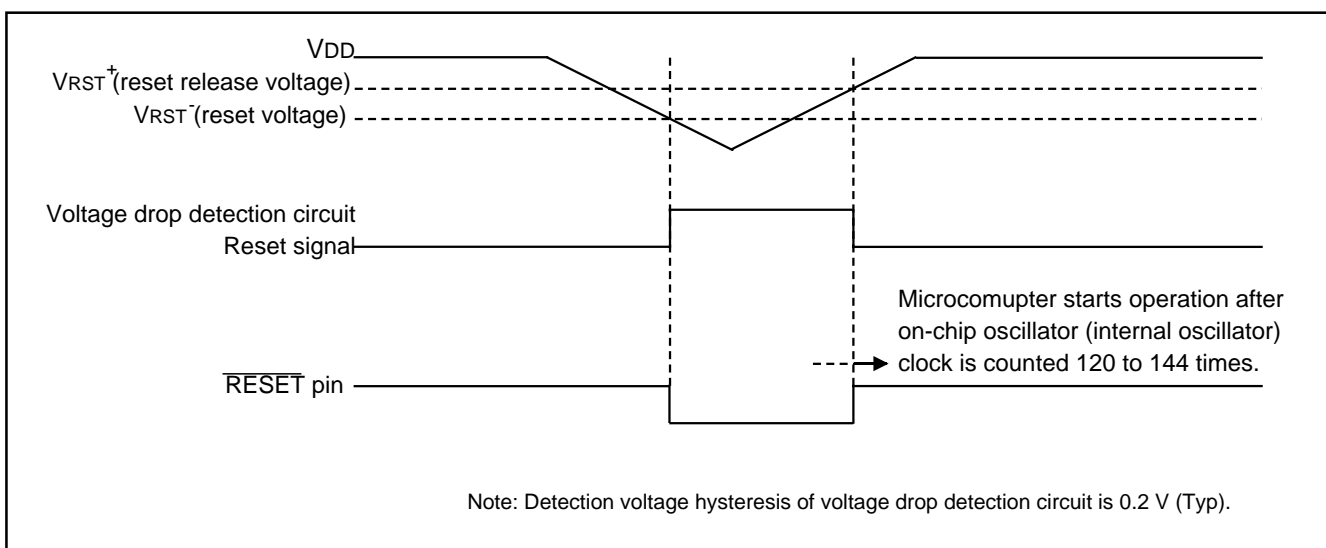


Fig. 52 Voltage drop detection circuit operation waveform

Table 17 Voltage drop detection circuit operation state

VDCE pin	At CPU operating	At RAM back-up
"L"	Invalid	Invalid
"H"	Valid	Valid

## RAM BACK-UP MODE

The 4518 Group has the RAM back-up mode.

When the EPOF and POF instructions are executed continuously, system enters the RAM back-up state. The POF instruction is equal to the NOP instruction when the EPOF instruction is not executed before the POF instruction.

As oscillation stops retaining RAM, the function of reset circuit and states at RAM back-up mode, current dissipation can be reduced without losing the contents of RAM. Table 18 shows the function and states retained at RAM back-up. Figure 53 shows the state transition.

### (1) Identification of the start condition

Warm start (return from the RAM back-up state) or cold start (return from the normal reset state) can be identified by examining the state of the RAM back-up flag (P) with the SNZP instruction.

### (2) Warm start condition

When the external wakeup signal is input after the system enters the RAM back-up state by executing the EPOF and POF instructions continuously, the CPU starts executing the program from address 0 in page 0. In this case, the P flag is "1."

### (3) Cold start condition

The CPU starts executing the program from address 0 in page 0 when;

- reset pulse is input to  $\overline{\text{RESET}}$  pin, or
- reset by watchdog timer is performed, or
- voltage drop detection circuit detects the voltage drop, or
- SRST instruction is executed.

In this case, the P flag is "0."

**Table 18 Functions and states retained at RAM back-up**

Function	RAM back-up
Program counter (PC), registers A, B, carry flag (CY), stack pointer (SP) (Note 2)	X
Contents of RAM	O
Interrupt control registers V1, V2	X
Interrupt control registers I1, I2	O
Selection of oscillation circuit	O
Clock control register MR	X
Timer 1 function	(Note 3)
Timer 2 function	(Note 3)
Timer 3 function	(Note 3)
Timer 4 function	(Note 3)
Watchdog timer function	X (Note 4)
Timer control register PA, W4	X
Timer control registers W1 to W3, W5, W6	O
Serial I/O function	X
Serial I/O mode register J1	O
A/D conversion function	X
A/D control registers Q1 to Q3	O
Voltage drop detection circuit	O (Note 5)
Port level	O
Key-on wakeup control register K0 to K2	O
Pull-up control registers PU0, PU1	O
Port output direction registers FR0 to FR2	O
External 0 interrupt request flag (EXF0)	X
External 1 interrupt request flag (EXF1)	X
Timer 1 interrupt request flag (T1F)	(Note 3)
Timer 2 interrupt request flag (T2F)	(Note 3)
Timer 3 interrupt request flag (T3F)	(Note 3)
Timer 4 interrupt request flag (T4F)	(Note 3)
A/D conversion completion flag (ADF)	X
Serial I/O transmission/reception completion flag (SIOF)	X
Interrupt enable flag (INTE)	X
Watchdog timer flags (WDF1, WDF2)	X (Note 4)
Watchdog timer enable flag (WEF)	X (Note 4)

Notes 1:"O" represents that the function can be retained, and "X" represents that the function is initialized.

Registers and flags other than the above are undefined at RAM back-up, and set an initial value after returning.

2: The stack pointer (SP) points the level of the stack register and is initialized to "7" at RAM back-up.

3: The state of the timer is undefined.

4: Initialize the watchdog timer with the WRST instruction, and then execute the POF instruction.

5: The valid/invalid of the voltage drop detection circuit can be controlled only by VDCE pin.

#### (4) Return signal

An external wakeup signal is used to return from the RAM back-up mode because the oscillation is stopped. Table 19 shows the return condition for each return source.

#### (5) Related registers

- Key-on wakeup control register K0

Register K0 controls the ports P0 and P1 key-on wakeup function. Set the contents of this register through register A with the TK0A instruction. In addition, the TAK0 instruction can be used to transfer the contents of register K0 to register A.

- Key-on wakeup control register K1

Register K1 controls the return condition and valid waveform/level selection for port P0. Set the contents of this register through register A with the TK1A instruction. In addition, the TAK1 instruction can be used to transfer the contents of register K1 to register A.

- Key-on wakeup control register K2

Register K2 controls the INT0 and INT1 key-on wakeup functions and return condition function. Set the contents of this register through register A with the TK2A instruction. In addition, the TAK2 instruction can be used to transfer the contents of register K2 to register A.

- Pull-up control register PU0

Register PU0 controls the ON/OFF of the port P0 pull-up transistor. Set the contents of this register through register A with the TPU0A instruction. In addition, the TAPU0 instruction can be used to transfer the contents of register PU0 to register A.

- Pull-up control register PU1

Register PU1 controls the ON/OFF of the port P1 pull-up transistor. Set the contents of this register through register A with the TPU1A instruction. In addition, the TAPU1 instruction can be used to transfer the contents of register PU0 to register A.

- External interrupt control register I1

Register I1 controls the valid waveform of external 0 interrupt, input control of INT0 pin, and return input level. Set the contents of this register through register A with the TI1A instruction. In addition, the TAI1 instruction can be used to transfer the contents of register I1 to register A.

- External interrupt control register I2

Register I2 controls the valid waveform of external 1 interrupt, input control of INT1 pin, and return input level. Set the contents of this register through register A with the TI2A instruction. In addition, the TAI2 instruction can be used to transfer the contents of register I2 to register A.

**Table 19 Return source and return condition**

	Return source	Return condition	Remarks
External wakeup signal	Ports P0 <sub>0</sub> –P0 <sub>3</sub>	Return by an external “H” level or “L” level input, or rising edge (“L”→“H”) or falling edge (“H”→“L”).	The key-on wakeup function can be selected with 2 port units. Select the return level (“L” level or “H” level), and return condition (return by level or edge) with the register K1 according to the external state before going into the RAM back-up state.
	Ports P1 <sub>0</sub> –P1 <sub>3</sub>	Return by an external “L” level input.	The key-on wakeup function can be selected with 2 port units. Set the port using the key-on wakeup function to “H” level before going into the RAM back-up state.
	INT0 INT1	Return by an external “H” level or “L” level input, or rising edge (“L”→“H”) or falling edge (“H”→“L”). The external interrupt request flags (EXF0, EXF1) are not set.	Select the return level (“L” level or “H” level) with the registers I1 and I2 according to the external state, and return condition (return by level or edge) with the register K2 before going into the RAM back-up state.

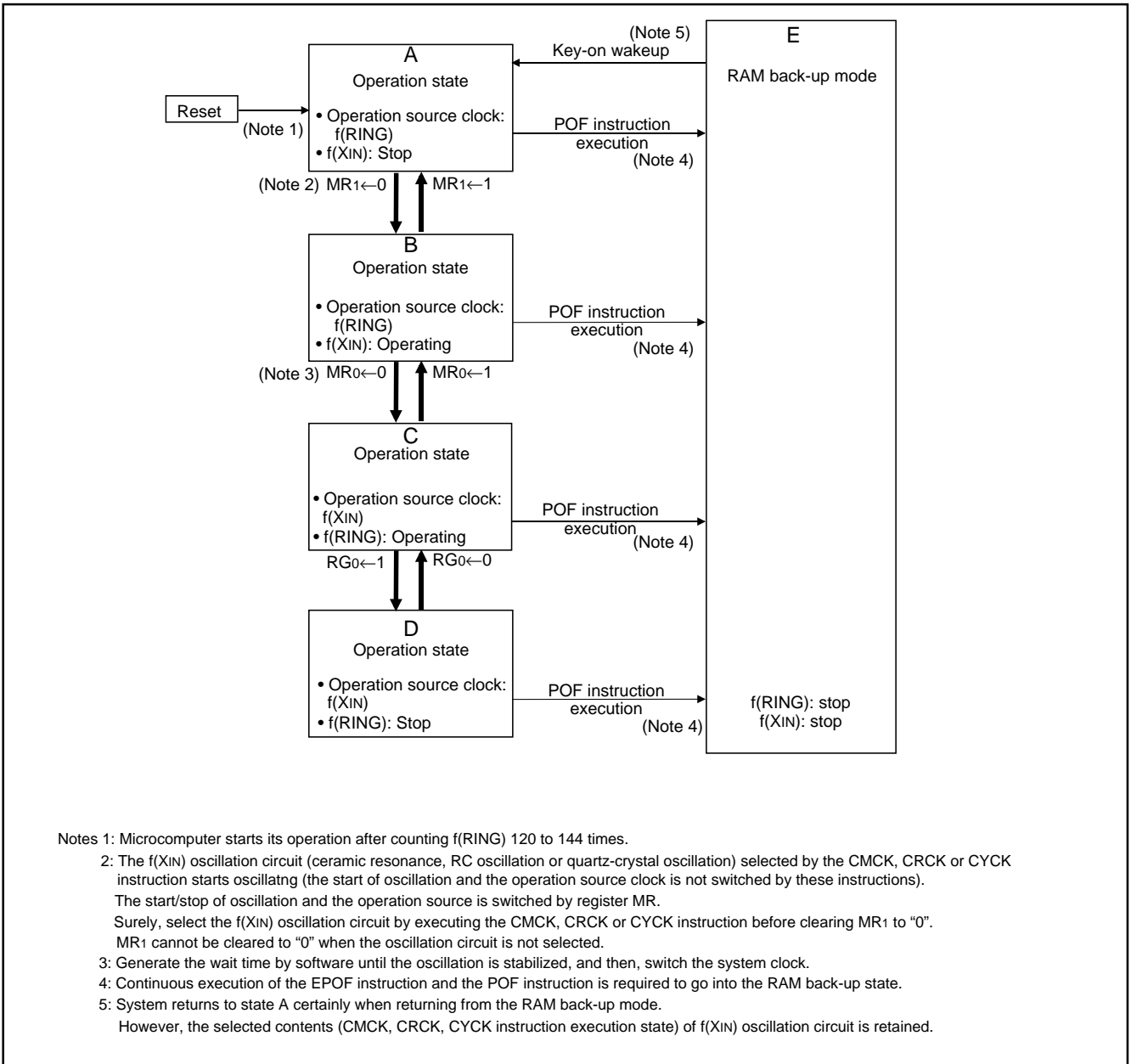


Fig. 53 State transition

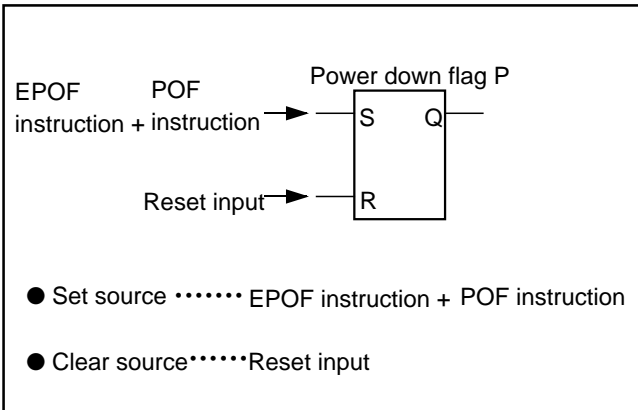


Fig. 54 Set source and clear source of the P flag

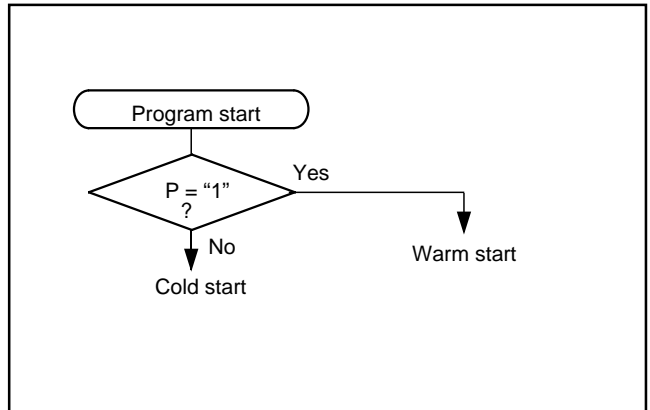


Fig. 55 Start condition identified example using the SNZP instruction



**Table 20 Key-on wakeup control register, pull-up control register**

Key-on wakeup control register K0		at reset : 00002		at RAM back-up : state retained	R/W TAK0/TK0A
K03	Pins P12 and P13 key-on wakeup control bit	0	Key-on wakeup not used		
		1	Key-on wakeup used		
K02	Pins P10 and P11 key-on wakeup control bit	0	Key-on wakeup not used		
		1	Key-on wakeup used		
K01	Pins P02 and P03 key-on wakeup control bit	0	Key-on wakeup not used		
		1	Key-on wakeup used		
K00	Pins P00 and P01 key-on wakeup control bit	0	Key-on wakeup not used		
		1	Key-on wakeup used		
Key-on wakeup control register K1		at reset : 00002		at RAM back-up : state retained	R/W TAK1/TK1A
K13	Ports P02 and P03 return condition selection bit	0	Return by level		
		1	Return by edge		
K12	Ports P02 and P03 valid waveform/level selection bit	0	Falling waveform/"L" level		
		1	Rising waveform/"H" level		
K11	Ports P01 and P00 return condition selection bit	0	Return by level		
		1	Return by edge		
K10	Ports P01 and P00 valid waveform/level selection bit	0	Falling waveform/"L" level		
		1	Rising waveform/"H" level		
Key-on wakeup control register K2		at reset : 00002		at RAM back-up : state retained	R/W TAK2/TK2A
K23	INT1 pin return condition selection bit	0	Return by level		
		1	Return by edge		
K22	INT1 pin key-on wakeup contro bit	0	Key-on wakeup not used		
		1	Key-on wakeup used		
K21	INT0 pin return condition selection bit	0	Return by level		
		1	Return by edge		
K20	INT0 pin key-on wakeup contro bit	0	Key-on wakeup not used		
		1	Key-on wakeup used		

Note: "R" represents read enabled, and "W" represents write enabled.

**Table 21 Key-on wakeup control register, pull-up control register**

Pull-up control register PU0		at reset : 00002		at RAM back-up : state retained	R/W TAPU0/ TPU0A
PU03	P03 pin pull-up transistor control bit	0	Pull-up transistor OFF		
		1	Pull-up transistor ON		
PU02	P02 pin pull-up transistor control bit	0	Pull-up transistor OFF		
		1	Pull-up transistor ON		
PU01	P01 pin pull-up transistor control bit	0	Pull-up transistor OFF		
		1	Pull-up transistor ON		
PU00	P00 pin pull-up transistor control bit	0	Pull-up transistor OFF		
		1	Pull-up transistor ON		
Pull-up control register PU1		at reset : 00002		at RAM back-up : state retained	R/W TAPU1/ TPU1A
PU13	P13 pin pull-up transistor control bit	0	Pull-up transistor OFF		
		1	Pull-up transistor ON		
PU12	P12 pin pull-up transistor control bit	0	Pull-up transistor OFF		
		1	Pull-up transistor ON		
PU11	P11 pin pull-up transistor control bit	0	Pull-up transistor OFF		
		1	Pull-up transistor ON		
PU10	P10 pin pull-up transistor control bit	0	Pull-up transistor OFF		
		1	Pull-up transistor ON		

Note: "R" represents read enabled, and "W" represents write enabled.

## CLOCK CONTROL

The clock control circuit consists of the following circuits.

- On-chip oscillator (internal oscillator)
- Ceramic resonator
- RC oscillation circuit
- Quartz-crystal oscillation circuit
- Multi-plexer (clock selection circuit)
- Frequency divider
- Internal clock generating circuit

The system clock and the instruction clock are generated as the source clock for operation by these circuits.

Figure 56 shows the structure of the clock control circuit.

The 4518 Group operates by the on-chip oscillator clock (f(RING)) which is the internal oscillator after system is released from reset.

Also, the ceramic resonator, the RC oscillation or quartz-crystal oscillator can be used for the main clock (f(XIN)) of the 4518 Group.

The CMCK instruction, CRCK instruction or CYCK instruction is executed to select the ceramic resonator, RC oscillator or quartz-crystal oscillator respectively.

The CMCK, CRCK, and CYCK instructions can be used only to select main clock (f(XIN)). In this time, the start of oscillation and the switch of system clock are not performed.

The oscillation start/stop of main clock f(XIN) is controlled by bit 1 of register MR. The system clock is selected by bit 0 of register MR. The oscillation start/stop of on-chip oscillator is controlled by register RG.

The oscillation circuit by the CMCK, CRCK or CYCK instruction can be selected only at once.

The oscillation circuit corresponding to the first executed one of these instructions is valid.

Execute the main clock (f(XIN)) selection instruction (CMCK, CRCK or CYCK instruction) in the initial setting routine of program (executing it in address 0 in page 0 is recommended).

When the CMCK, CRCK, and CYCK instructions are never executed, main clock (f(XIN)) cannot be used and system can be operated only by on-chip oscillator.

The no operated clock source (f(RING)) or (f(XIN)) cannot be used for the system clock. Also, the clock source (f(RING) or f(XIN)) selected for the system clock cannot be stopped.

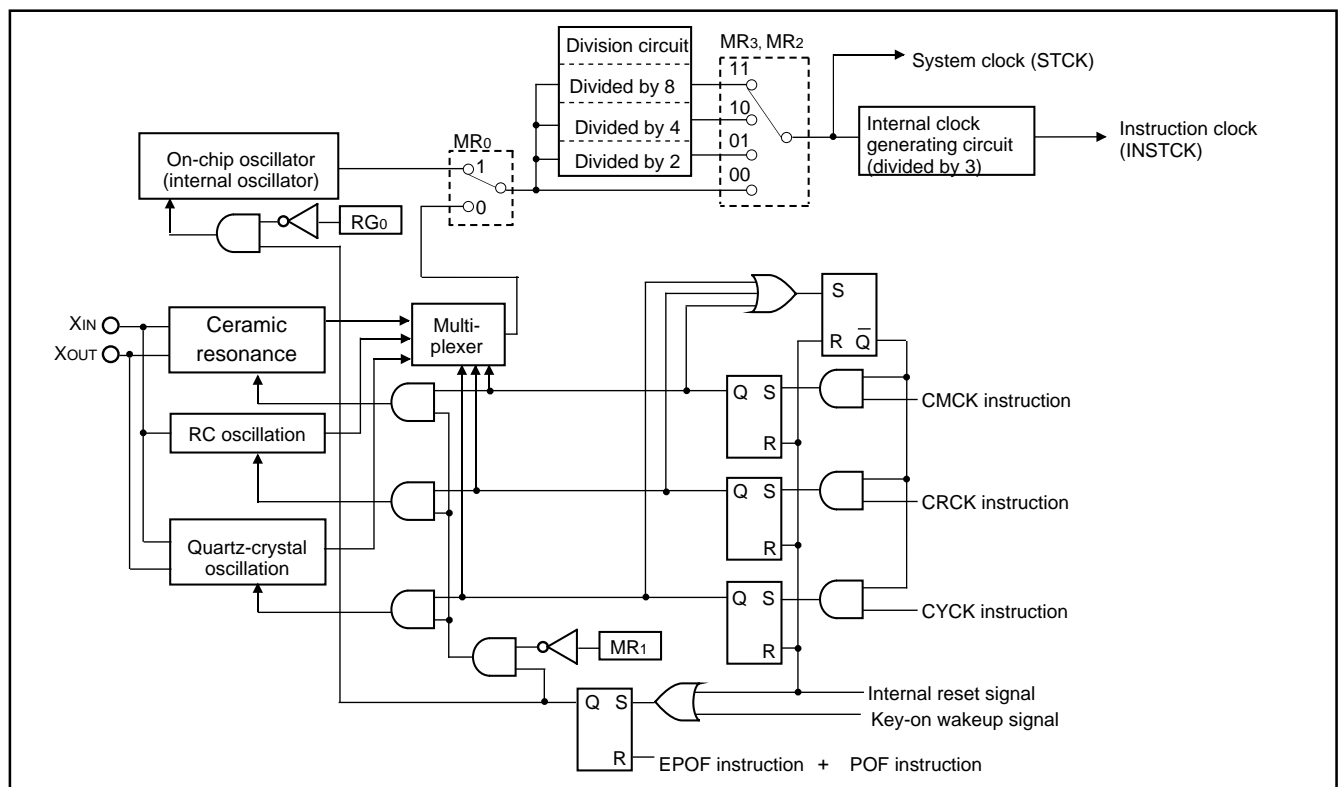


Fig. 56 Clock control circuit structure

### (1) Main clock generating circuit (f(X<sub>IN</sub>))

The ceramic resonator, RC oscillation or quartz-crystal oscillator can be used for the main clock of this MCU.

After system is released from reset, the MCU starts operation by the clock output from the on-chip oscillator which is the internal oscillator.

When the ceramic resonator is used, execute the CMCK instruction. When the RC oscillation is used, execute the CRCK instruction. When the quartz-crystal oscillator is used, execute the CYCK instruction. The oscillation start/stop of main clock f(X<sub>IN</sub>) is controlled by bit 1 of register MR. The system clock is selected by bit 0 of register MR. The oscillation circuit by the CMCK, CRCK or CYCK instruction can be selected only at once. The oscillation circuit corresponding to the first executed one of these instructions is valid.

Execute the CMCK, CRCK or CYCK instruction in the initial setting routine of program (executing it in address 0 in page 0 is recommended). Also, when the CMCK, CRCK or CYCK instruction is not executed in program, this MCU operates by the on-chip oscillator.

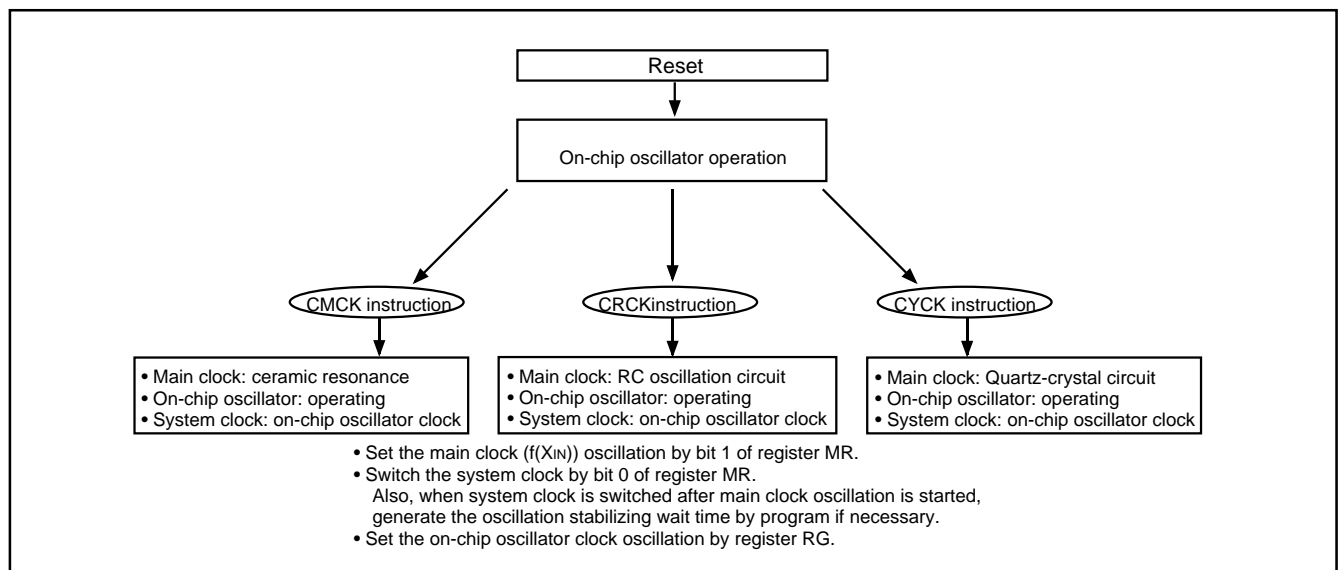


Fig. 57 Switch to ceramic resonance/RC oscillation/quartz-crystal oscillation

## (2) On-chip oscillator operation

When the MCU operates by the on-chip oscillator as the main clock ( $f(XIN)$ ) without using the ceramic resonator, RC oscillator or quartz-crystal oscillation, leave  $XIN$  pin and  $XOUT$  pin open (Figure 58).

The clock frequency of the on-chip oscillator depends on the supply voltage and the operation temperature range.

Be careful that variable frequencies when designing application products.

## (3) Ceramic resonator

When the ceramic resonator is used as the main clock ( $f(XIN)$ ), connect the ceramic resonator and the external circuit to pins  $XIN$  and  $XOUT$  at the shortest distance. Then, execute the  $CMCK$  instruction. A feedback resistor is built in between pins  $XIN$  and  $XOUT$  (Figure 59).

## (4) RC oscillation

When the RC oscillation is used as the main clock ( $f(XIN)$ ), connect the  $XIN$  pin to the external circuit of resistor  $R$  and the capacitor  $C$  at the shortest distance and leave  $XOUT$  pin open. Then, execute the  $CRCK$  instruction (Figure 60).

The frequency is affected by a capacitor, a resistor and a micro-computer. So, set the constants within the range of the frequency limits.

## (5) Quartz-crystal oscillator

When a quartz-crystal oscillator is used as the main clock ( $f(XIN)$ ), connect this external circuit and a quartz-crystal oscillator to pins  $XIN$  and  $XOUT$  at the shortest distance. Then, execute the  $CYCK$  instruction. A feedback resistor is built in between pins  $XIN$  and  $XOUT$  (Figure 61).

## (6) External clock

When the external clock signal for the main clock ( $f(XIN)$ ) is used, connect the clock source to  $XIN$  pin and  $XOUT$  pin open. In program, after the  $CMCK$  instruction is executed, set main clock ( $f(XIN)$ ) oscillation start to be enabled ( $MR1=0$ ).

For this product, when RAM back-up mode and main clock ( $f(XIN)$ ) stop ( $MR1=1$ ),  $XIN$  pin is fixed to "H" in order to avoid the through current by floating of internal logic. The  $XIN$  pin is fixed to "H" until main clock ( $f(XIN)$ ) oscillation starts to be valid ( $MR1=0$ ) by the  $CMCK$  instruction from reset state. Accordingly, when an external clock is used, connect a 1 k $\Omega$  or more resistor to  $XIN$  pin in series to limit of current by competitive signal.

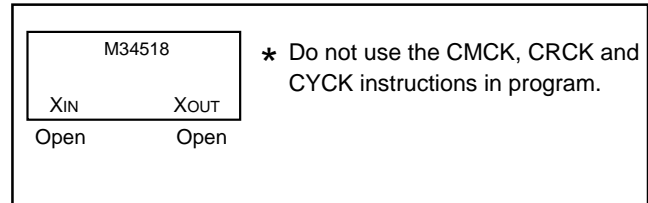


Fig. 58 Handling of  $XIN$  and  $XOUT$  when operating on-chip oscillator

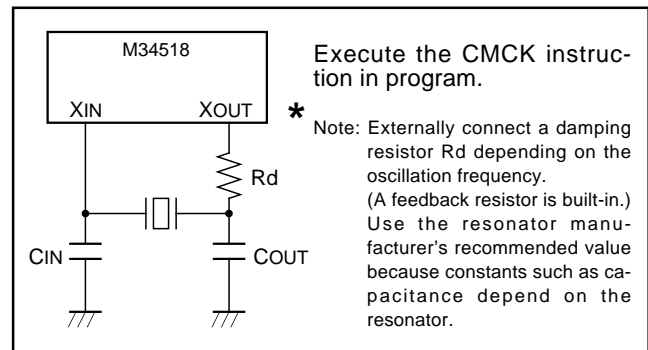


Fig. 59 Ceramic resonator external circuit

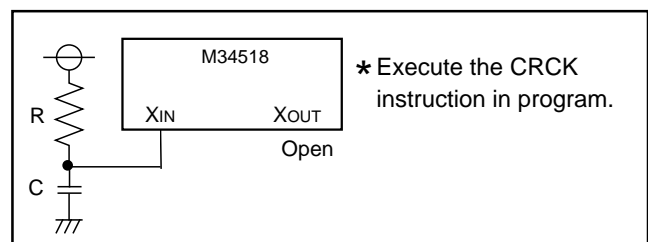


Fig. 60 External RC oscillation circuit

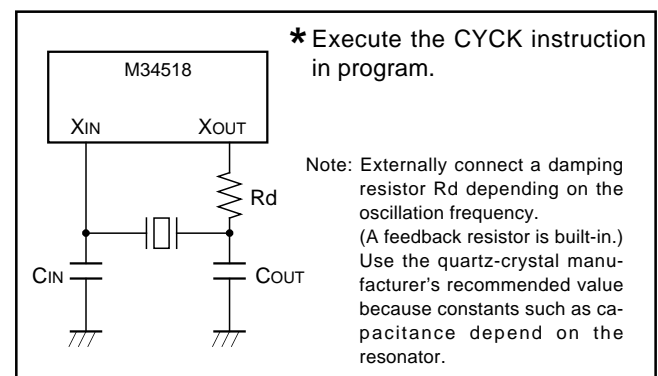


Fig. 61 External quartz-crystal circuit

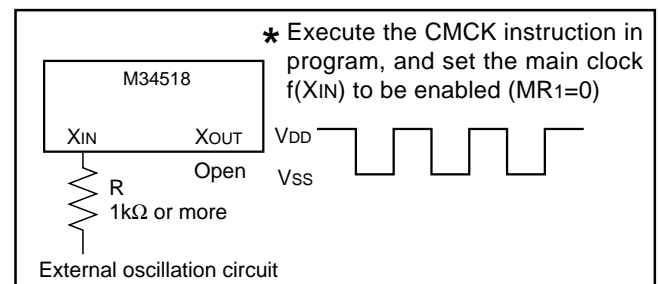


Fig. 62 External clock input circuit

**(7) Clock control register MR**

Register MR controls system clock. Set the contents of this register through register A with the TMRA instruction. In addition, the TAMR instruction can be used to transfer the contents of register MR to register A.

**(8) Clock control register RG**

Register RG controls start/stop of on-chip oscillator. Set the contents of this register through register A with the TRGA instruction.

**Table 22 Clock control registers**

Clock control register MR		at reset : 11112		at RAM back-up : 11112	R/W TAMR/ TMRA
MR3	Operation mode selection bits	MR3	MR2	Operation mode	
		0	0	Through mode (frequency not divided)	
		0	1	Frequency divided by 2 mode	
MR2		1	0	Frequency divided by 4 mode	
		1	1	Frequency divided by 8 mode	
MR1	Main clock f(XIN) oscillation circuit control bit	0		Main clock (f(XIN)) oscillation enabled	
		1		Main clock (f(XIN)) oscillation stop	
MR0	System clock oscillation source selection bit	0		Main clock (f(XIN))	
		1		Main clock (f(RING))	

Clock control register RG		at reset : 02		at RAM back-up : 02	W TRGA
RG0	On-chip oscillator (f(RING)) control bit	0		On-chip oscillator (f(RING)) oscillation enabled	
		1		On-chip oscillator (f(RING)) oscillation stop	

Note: "R" represents read enabled, and "W" represents write enabled.

**ROM ORDERING METHOD**

- 1.Mask ROM Order Confirmation Form\*
- 2.Mark Specification Form\*
- 3.Data to be written to ROM, in EPROM form (three identical copies) or one floppy disk.

\* For the mask ROM confirmation and the mark specifications, refer to the "Renesas Technology Corp." Homepage (<http://www.renesas.com/en/rom>).

## LIST OF PRECAUTIONS

### ① Noise and latch-up prevention

Connect a capacitor on the following condition to prevent noise and latch-up;

- connect a bypass capacitor (approx. 0.1  $\mu$ F) between pins VDD and VSS at the shortest distance,
- equalize its wiring in width and length, and
- use relatively thick wire.

In the One Time PROM version, CNVSS pin is also used as VPP pin. Accordingly, when using this pin, connect this pin to VSS through a resistor about 5 k $\Omega$  (connect this resistor to CNVSS/VPP pin as close as possible).

### ② Register initial values 1

The initial value of the following registers are undefined after system is released from reset. After system is released from reset, set initial values.

- Register Z (2 bits)
- Register D (3 bits)
- Register E (8 bits)

### ③ Register initial values 2

The initial value of the following registers are undefined at RAM back-up. After system is returned from RAM back-up, set initial values.

- Register Z (2 bits)
- Register X (4 bits)
- Register Y (4 bits)
- Register D (3 bits)
- Register E (8 bits)

### ④ Stack registers (SKs)

Stack registers (SKs) are eight identical registers, so that subroutines can be nested up to 8 levels. However, one of stack registers is used respectively when using an interrupt service routine and when executing a table reference instruction. Accordingly, be careful not to over the stack when performing these operations together.

### ⑤ Multifunction

- The input/output of P30 and P31 can be used even when INT0 and INT1 are selected.
- The input of ports P20–P22 can be used even when SIN, SOUT and SCK are selected.
- The input/output of D6 can be used even when CNTR0 (input) is selected.
- The input of D6 can be used even when CNTR0 (output) is selected.
- The input/output of D7 can be used even when CNTR1 (input) is selected.
- The input of D7 can be used even when CNTR1 (output) is selected.

### ⑥ Prescaler

Stop counting and then execute the TABPS instruction to read from prescaler data.

Stop counting and then execute the TPSAB instruction to set prescaler data.

### ⑦ Timer count source

Stop timer 1, 2, 3 and 4 counting to change its count source.

### ⑧ Reading the count value

Stop timer 1, 2, 3 or 4 counting and then execute the data read instruction (TAB1, TAB2, TAB3, TAB4) to read its data.

### ⑨ Writing to the timer

Stop timer 1, 2, 3 or 4 counting and then execute the data write instruction (T1AB, T2AB, T3AB, T4AB) to write its data.

### ⑩ Writing to reload register R1, R3, R4H

When writing data to reload register R1, reload register R3 or reload register R4H while timer 1, timer 3 or timer 4 is operating, avoid a timing when timer 1, timer 3 or timer 4 underflows.

### ⑪ Timer 4

Avoid a timing when timer 4 underflows to stop timer 4 at the use of PWM output function.

When "H" interval extension function of the PWM signal is set to be "valid", set "1" or more to reload register R4H.

⑫ Watchdog timer

- The watchdog timer function is valid after system is released from reset. When not using the watchdog timer function, execute the DWDT instruction and the WRST instruction continuously, and clear the WEF flag to "0" to stop the watchdog timer function.
- The watchdog timer function is valid after system is returned from the RAM back-up state. When not using the watchdog timer function, execute the DWDT instruction and the WRST instruction continuously every system is returned from the RAM back-up state, and stop the watchdog timer function.
- When the watchdog timer function and RAM back-up function are used at the same time, execute the WRST instruction before system enters into the RAM back-up state and initialize the flag

⑬ Prescaler, Timer 1, Timer 2 and Timer 3 count start timing and count time when operation starts

Count starts from the first rising edge of the count source (2) after Prescaler, Timer 1, Timer 2 and Timer 3 operations start (1). Time to first underflow (3) is shorter (for up to 1 period of the count source) than time among next underflow (4) by the timing to start the timer and count source operations after count starts.

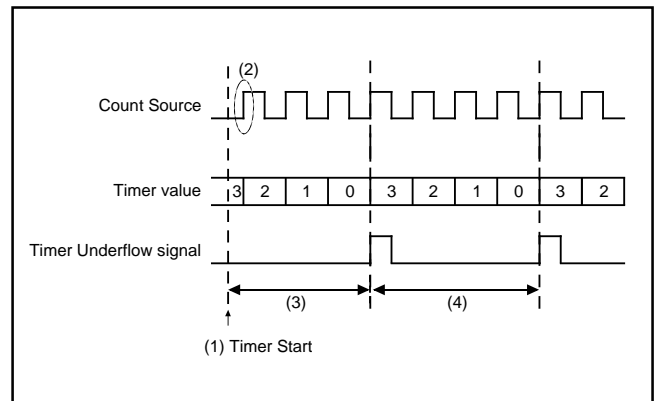


Fig. 63 Timer count start timing and count time when operation starts (Prescaler, Timer 1, Timer 2 and Timer 3)

⑭ Timer 4 count start timing and count time when operation starts

Count starts from the rising edge (2) after the first falling edge of the count source, after Timer 4 operations start (1). Time to first underflow (3) is different from time among next underflow (4) by the timing to start the timer and count source operations after count starts.

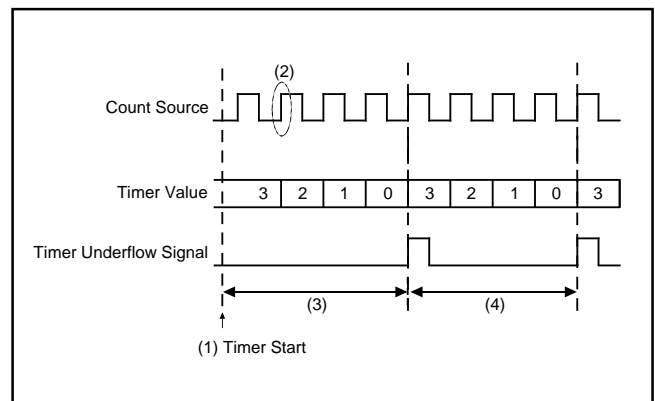


Fig. 64 Timer count start timing and count time when operation starts (Timer 4)



### ⑥ Period measurement circuit

When a period measurement circuit is used, clear bit 0 of register I1 to "0", and set a timer 1 count start synchronous circuit to be "not selected".

Start timer operation immediately after operation of a period measurement circuit is started.

When the edge for measurement is input until timer operation is started from the operation of period measurement circuit is started, the count operation is not executed until the timer operation becomes valid. Accordingly, be careful of count data.

When data is read from timer, stop the timer and clear bit 2 of register W5 to "0" to stop the period measurement circuit, and then execute the data read instruction.

Depending on the state of timer 1, the timer 1 interrupt request flag (T1F) may be set to "1" when the period measurement circuit is stopped by clearing bit 2 of register W5 to "0". In order to avoid the occurrence of an unexpected interrupt, clear the bit 2 of register V1 to "0" (refer to Figure 65①) and then, stop the bit 2 of register W5 to "0" to stop the period measurement circuit.

In addition, execute the SNZT1 instruction to clear the T1F flag after executing at least one instruction (refer to Figure 65②).

Also, set the NOP instruction for the case when a skip is performed with the SNZT1 instruction (refer to Figure 65③).

While a period measurement circuit is operating, the timer 1 interrupt request flag (T1F) is not set by the timer 1 underflow signal, it is the flag for detecting the completion of period measurement.

When a period measurement circuit is used, select the sufficiently higher-speed frequency than the signal for measurement for the count source of a timer 1.

When the signal for period measurement is D6/CNTR0 pin input, do not select D6/CNTR0 pin input as timer 1 count source.

(The XIN input is recommended as timer 1 count source at the time of period measurement circuit use.)

When the input of P30/INT0 pin is selected for measurement, set the bit 3 of a register I1 to "1", and set the input of INT0 pin to be enabled.

```

      ⋮
LA    0    ; (X0XX2)
TV1A   ; The SNZT1 instruction is valid ..... ①
LA    0    ; (X0XX2)
TW5A   ; Period measurement circuit stop
NOP    ..... ②
SNZT1  ; The SNZT1 instruction is executed
        (T1F flag cleared)
NOP    ..... ③
      ⋮
      X : these bits are not used here.

```

Fig. 65 Period measurement circuit program example

⑥ P30/INT0 pin

① Note [1] on bit 3 of register I1

When the input of the INT0 pin is controlled with the bit 3 of register I1 in software, be careful about the following notes.

- Depending on the input state of the P30/INT0 pin, the external 0 interrupt request flag (EXF0) may be set when the bit 3 of register I1 is changed. In order to avoid the occurrence of an unexpected interrupt, clear the bit 0 of register V1 to "0" (refer to Figure 66 ①) and then, change the bit 3 of register I1. In addition, execute the SNZ0 instruction to clear the EXF0 flag to "0" after executing at least one instruction (refer to Figure 66 ②). Also, set the NOP instruction for the case when a skip is performed with the SNZ0 instruction (refer to Figure 66 ③).

```

    ⋮
    LA    4    ; (XXX02)
    TV1A    ; The SNZ0 instruction is valid ..... ①
    LA    8    ; (1XXX2)
    TI1A    ; Control of INT0 pin input is changed
    NOP     ..... ②
    SNZ0    ; The SNZ0 instruction is executed
            (EXF0 flag cleared)
    NOP     ..... ③
    ⋮
    X : these bits are not used here.
    
```

Fig. 66 External 0 interrupt program example-1

② Note [2] on bit 3 of register I1

When the bit 3 of register I1 is cleared to "0", the RAM back-up mode is selected and the input of INT0 pin is disabled, be careful about the following notes.

- When the input of INT0 pin is disabled (register I13 = "0"), set the key-on wakeup function to be invalid (register K20 = "0") before system enters to the RAM back-up mode. (refer to Figure 67①).

```

    ⋮
    LA    0    ; (XXX02)
    TK2A    ; Input of INT0 key-on wakeup invalid .. ①
    DI
    EPOF
    POF     ; RAM back-up
    ⋮
    X : these bits are not used here.
    
```

Fig. 67 External 0 interrupt program example-2

③ Note on bit 2 of register I1

When the interrupt valid waveform of the P30/INT0 pin is changed with the bit 2 of register I1 in software, be careful about the following notes.

- Depending on the input state of the P30/INT0 pin, the external 0 interrupt request flag (EXF0) may be set when the bit 2 of register I1 is changed. In order to avoid the occurrence of an unexpected interrupt, clear the bit 0 of register V1 to "0" (refer to Figure 68①) and then, change the bit 2 of register I1. In addition, execute the SNZ0 instruction to clear the EXF0 flag to "0" after executing at least one instruction (refer to Figure 68②). Also, set the NOP instruction for the case when a skip is performed with the SNZ0 instruction (refer to Figure 68③).

```

    ⋮
    LA    4    ; (XXX02)
    TV1A    ; The SNZ0 instruction is valid ..... ①
    LA    12   ; (X1XX2)
    TI1A    ; Interrupt valid waveform is changed
    NOP     ..... ②
    SNZ0    ; The SNZ0 instruction is executed
            (EXF0 flag cleared)
    NOP     ..... ③
    ⋮
    X : these bits are not used here.
    
```

Fig. 68 External 0 interrupt program example-3

⑦ P31/INT1 pin

① Note [1] on bit 3 of register I2

When the input of the INT1 pin is controlled with the bit 3 of register I2 in software, be careful about the following notes.

- Depending on the input state of the P31/INT1 pin, the external 1 interrupt request flag (EXF1) may be set when the bit 3 of register I2 is changed. In order to avoid the occurrence of an unexpected interrupt, clear the bit 1 of register V1 to "0" (refer to Figure 69①) and then, change the bit 3 of register I2. In addition, execute the SNZ1 instruction to clear the EXF1 flag to "0" after executing at least one instruction (refer to Figure 69②). Also, set the NOP instruction for the case when a skip is performed with the SNZ1 instruction (refer to Figure 69③).

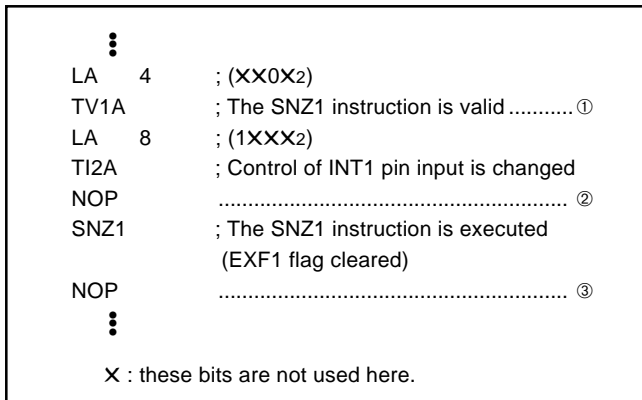


Fig. 69 External 1 interrupt program example-1

⑧ Note on bit 2 of register I2

When the interrupt valid waveform of the P31/INT1 pin is changed with the bit 2 of register I2 in software, be careful about the following notes.

- Depending on the input state of the P31/INT1 pin, the external 1 interrupt request flag (EXF1) may be set when the bit 2 of register I2 is changed. In order to avoid the occurrence of an unexpected interrupt, clear the bit 1 of register V1 to "0" (refer to Figure 71①) and then, change the bit 2 of register I2. In addition, execute the SNZ1 instruction to clear the EXF1 flag to "0" after executing at least one instruction (refer to Figure 71②). Also, set the NOP instruction for the case when a skip is performed with the SNZ1 instruction (refer to Figure 71③).

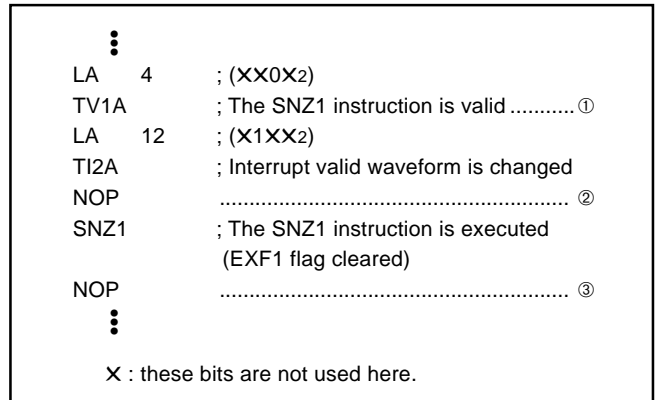


Fig. 71 External 1 interrupt program example-3

⑨ Note [2] on bit 3 of register I2

When the bit 3 of register I2 is cleared to "0", the RAM back-up mode is selected and the input of INT1 pin is disabled, be careful about the following notes.

- When the input of INT1 pin is disabled (register I23 = "0"), set the key-on wakeup function to be invalid (register K22 = "0") before system enters to the RAM back-up mode. (refer to Figure 70①).

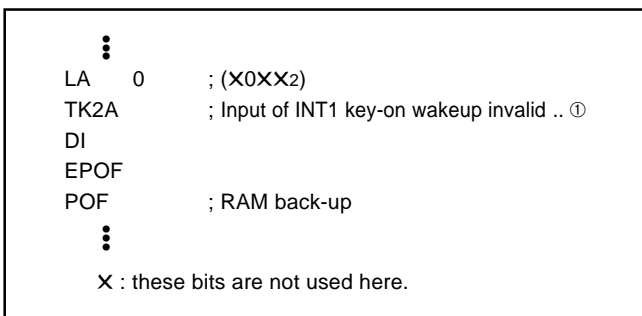


Fig. 70 External 1 interrupt program example-2

⑬ A/D converter-1

- When the TALA instruction is executed, the low-order 2 bits of register AD is transferred to the high-order 2 bits of register A, simultaneously, the low-order 2 bits of register A is "0."
- Do not change the operating mode (both A/D conversion mode and comparator mode) of A/D converter with the bit 3 of register Q1 while the A/D converter is operating.
- Clear the bit 2 of register V2 to "0" to change the operating mode of the A/D converter from the comparator mode to A/D conversion mode.
- The A/D conversion completion flag (ADF) may be set when the operating mode of the A/D converter is changed from the comparator mode to the A/D conversion mode. Accordingly, set a value to the register Q1, and execute the SNZAD instruction to clear the ADF flag.

```

    ⋮
    LA    8    ; (X0XX2)
    TV2A    ; The SNZAD instruction is valid ..... ①
    LA    0    ; (0XXX2)
    TQ1A    ; Operation mode of A/D converter is
            ; changed from comparator mode to A/D
            ; conversion mode.

    SNZAD
    NOP
    ⋮
    X : these bits are not used here.
    
```

Fig. 72 A/D converter program example-3

⑭ A/D converter-2

Each analog input pin is equipped with a capacitor which is used to compare the analog voltage. Accordingly, when the analog voltage is input from the circuit with high-impedance and, charge/discharge noise is generated and the sufficient A/D accuracy may not be obtained. Therefore, reduce the impedance or, connect a capacitor (0.01 μF to 1 μF) to analog input pins (Figure 73). When the overvoltage applied to the A/D conversion circuit may occur, connect an external circuit in order to keep the voltage within the rated range as shown the Figure 74. In addition, test the application products sufficiently.

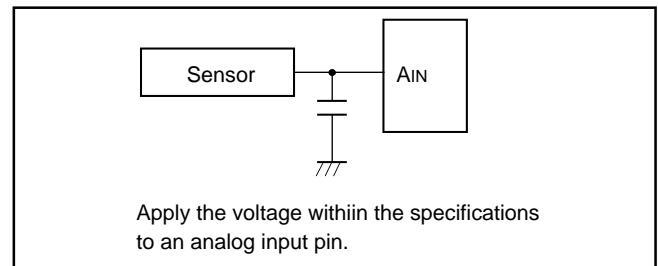


Fig. 73 Analog input external circuit example-1

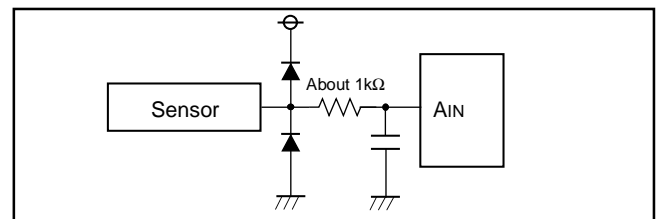


Fig. 74 Analog input external circuit example-2

#### ② POF instruction

When the POF instruction is executed continuously after the EPOF instruction, system enters the RAM back-up state.

Note that system cannot enter the RAM back-up state when executing only the POF instruction.

Be sure to disable interrupts by executing the DI instruction before executing the EPOF instruction and the POF instruction continuously.

#### ① Program counter

Make sure that the PC does not specify after the last page of the built-in ROM.

#### ② Power-on reset

When the built-in power-on reset circuit is used, the time for the supply voltage to rise from 0 V to the value of supply voltage or more must be set to 100  $\mu$ s or less. If the rising time exceeds 100  $\mu$ s, connect a capacitor between the RESET pin and Vss at the shortest distance, and input "L" level to RESET pin until the value of supply voltage reaches the minimum operating voltage.

#### ③ Clock control

Execute the main clock (f(XIN)) selection instruction (CMCK, CRCK or CYCK instruction) in the initial setting routine of program (executing it in address 0 in page 0 is recommended).

The oscillation circuit by the CMCK, CRCK or CYCK instruction can be selected only at once. The oscillation circuit corresponding to the first executed one of these instructions is valid.

The CMCK, CRCK, and CYCK instructions can be used only to select main clock (f(XIN)). In this time, the start of oscillation and the switch of system clock are not performed.

When the CMCK, CRCK, and CYCK instructions are never executed, main clock (f(XIN)) cannot be used and system can be operated only by on-chip oscillator.

The no operated clock source (f(RING)) or (f(XIN)) cannot be used for the system clock. Also, the clock source (f(RING) or f(XIN)) selected for the system clock cannot be stopped.

#### ② On-chip oscillator

The clock frequency of the on-chip oscillator depends on the supply voltage and the operation temperature range.

Be careful that variable frequencies when designing application products.

When considering the oscillation stabilize wait time at the switch of clock, be careful that the variable frequency of the on-chip oscillator clock.

#### ③ External clock

When the external clock signal for the main clock (f(XIN)) is used, connect the clock source to XIN pin and XOUT pin open. In program, after the CMCK instruction is executed, set main clock (f(XIN)) oscillation start to be enabled (MR1=0).

For this product, when RAM back-up mode and main clock (f(XIN)) stop (MR1=1), XIN pin is fixed to "H" in order to avoid the through current by floating of internal logic. The XIN pin is fixed to "H" until main clock (f(XIN)) oscillation start to be valid (MR1=0) by the CMCK instruction from reset state. Accordingly, when an external clock is used, connect a 1 k $\Omega$  or more resistor to XIN pin in series to limit of current by competitive signal.

#### ③ Electric Characteristic Differences Between Mask ROM and One Time PROM Version MCU

There are differences in electric characteristics, operation margin, noise immunity, and noise radiation between Mask ROM and One Time PROM version MCUs due to the difference in the manufacturing processes.

When manufacturing an application system with the One time PROM version and then switching to use of the Mask ROM version, please perform sufficient evaluations for the commercial samples of the Mask ROM version.

#### ② Note on Power Source Voltage

When the power source voltage value of a microcomputer is less than the value which is indicated as the recommended operating conditions, the microcomputer does not operate normally and may perform unstable operation.

In a system where the power source voltage drops slowly when the power source voltage drops or the power supply is turned off, reset a microcomputer when the supply voltage is less than the recommended operating conditions and design a system not to cause errors to the system by this unstable operation.

**CONTROL REGISTERS**

Interrupt control register V1		at reset : 0000 <sub>2</sub>	at RAM back-up : 0000 <sub>2</sub>	R/W TAV1/TV1A
V13	Timer 2 interrupt enable bit	0	Interrupt disabled (SNZT2 instruction is valid)	
		1	Interrupt enabled (SNZT2 instruction is invalid)	
V12	Timer 1 interrupt enable bit	0	Interrupt disabled (SNZT1 instruction is valid)	
		1	Interrupt enabled (SNZT1 instruction is invalid)	
V11	External 1 interrupt enable bit	0	Interrupt disabled (SNZ1 instruction is valid)	
		1	Interrupt enabled (SNZ1 instruction is invalid)	
V10	External 0 interrupt enable bit	0	Interrupt disabled (SNZ0 instruction is valid)	
		1	Interrupt enabled (SNZ0 instruction is invalid)	

Interrupt control register V2		at reset : 0000 <sub>2</sub>	at RAM back-up : 0000 <sub>2</sub>	R/W TAV2/TV2A
V23	Serial I/O interrupt enable bit	0	Interrupt disabled (SNZSI instruction is valid)	
		1	Interrupt enabled (SNZSI instruction is invalid)	
V22	A/D interrupt enable bit	0	Interrupt disabled (SNZAD instruction is valid)	
		1	Interrupt enabled (SNZAD instruction is invalid)	
V21	Timer 4 interrupt enable bit	0	Interrupt disabled (SNZT4 instruction is valid)	
		1	Interrupt enabled (SNZT4 instruction is invalid)	
V20	Timer 3 interrupt enable bit	0	Interrupt disabled (SNZT3 instruction is valid)	
		1	Interrupt enabled (SNZT3 instruction is invalid)	

Interrupt control register I1		at reset : 0000 <sub>2</sub>	at RAM back-up : state retained	R/W TAI1/TI1A
I13	INT0 pin input control bit (Note 2)	0	INT0 pin input disabled	
		1	INT0 pin input enabled	
I12	Interrupt valid waveform for INT0 pin/ return level selection bit (Note 2)	0	Falling waveform/"L" level ("L" level is recognized with the SNZIO instruction)	
		1	Rising waveform/"H" level ("H" level is recognized with the SNZIO instruction)	
I11	INT0 pin edge detection circuit control bit	0	One-sided edge detected	
		1	Both edges detected	
I10	INT0 pin Timer 1 count start synchronous circuit selection bit	0	Timer 1 count start synchronous circuit not selected	
		1	Timer 1 count start synchronous circuit selected	

Interrupt control register I2		at reset : 0000 <sub>2</sub>	at RAM back-up : state retained	R/W TAI2/TI2A
I23	INT1 pin input control bit (Note 2)	0	INT1 pin input disabled	
		1	INT1 pin input enabled	
I22	Interrupt valid waveform for INT1 pin/ return level selection bit (Note 2)	0	Falling waveform/"L" level ("L" level is recognized with the SNZI1 instruction)	
		1	Rising waveform/"H" level ("H" level is recognized with the SNZI1 instruction)	
I21	INT1 pin edge detection circuit control bit	0	One-sided edge detected	
		1	Both edges detected	
I20	INT1 pin Timer 3 count start synchronous circuit selection bit	0	Timer 3 count start synchronous circuit not selected	
		1	Timer 3 count start synchronous circuit selected	

Notes 1: "R" represents read enabled, and "W" represents write enabled.

2: When the contents of I12, I13 I22 and I23 are changed, the external interrupt request flag (EXF0, EXF1) may be set to "1".

Clock control register MR		at reset : 11112		at RAM back-up : 11112		R/W TAMR/ TMRA
MR3	Operation mode selection bits	MR3	MR2	Operation mode		
		0	0	Through mode (frequency not divided)		
0		1	Frequency divided by 2 mode			
1		0	Frequency divided by 4 mode			
MR2		1	1	Frequency divided by 8 mode		
MR1	Main clock f(XIN) oscillation circuit control bit	0	Main clock (f(XIN)) oscillation enabled			
		1	Main clock (f(XIN)) oscillation stop			
MR0	System clock oscillation source selection bit	0	Main clock (f(XIN))			
		1	Main clock (f(RING))			

Clock control register RG		at reset : 02		at RAM back-up : 02		W TRGA
RG0	On-chip oscillator (f(RING)) control bit	0	On-chip oscillator (f(RING)) oscillation enabled			
		1	On-chip oscillator (f(RING)) oscillation stop			

Timer control register PA		at reset : 02		at RAM back-up : 02		W TPAA
PA0	Prescaler control bit	0	Stop (state initialized)			
		1	Operating			

Timer control register W1		at reset : 00002		at RAM back-up : state retained		R/W TAW1/TW1A
W13	Timer 1 count auto-stop circuit selection bit (Note 2)	0	Timer 1 count auto-stop circuit not selected			
		1	Timer 1 count auto-stop circuit selected			
W12	Timer 1 control bit	0	Stop (state retained)			
		1	Operating			
W11	Timer 1 count source selection bits	W11	W10	Count source		
		0	0	Instruction clock (INSTCK)		
0		1	Prescaler output (ORCLK)			
1		0	XIN input			
W10		1	1	CNTR0 input		

Timer control register W2		at reset : 00002		at RAM back-up : state retained		R/W TAW2/TW2A
W23	CNTR0 output signal selection bit	0	Timer 1 underflow signal divided by 2 output			
		1	Timer 2 underflow signal divided by 2 output			
W22	Timer 2 control bit	0	Stop (state retained)			
		1	Operating			
W21	Timer 2 count source selection bits	W21	W20	Count source		
		0	0	System clock (STCK)		
0		1	Prescaler output (ORCLK)			
1		0	Timer 1 underflow signal (T1UDF)			
W20		1	1	PWM signal (PWMOU)		

Note 1: "R" represents read enabled, and "W" represents write enabled.

2: This function is valid only when the timer 1 count start synchronous circuit is selected (I10="1").

Timer control register W3		at reset : 00002		at RAM back-up : state retained		R/W TAW3/TW3A
W33	Timer 3 count auto-stop circuit selection bit (Note 2)	0	Timer 3 count auto-stop circuit not selected			
		1	Timer 3 count auto-stop circuit selected			
W32	Timer 3 control bit	0	Stop (state retained)			
		1	Operating			
W31	Timer 3 count source selection bits	W31 W30		Count source		
		0	0	PWM signal (PWMOUT)		
		0	1	Prescaler output (ORCLK)		
W30		1	0	Timer 2 underflow signal (T2UDF)		
		1	1	CNTR1 input		

Timer control register W4		at reset : 00002		at RAM back-up : 00002		R/W TAW4/TW4A
W43	D7/CNTR1 pin function selection bit	0	D7 (I/O) / CNTR1 (input)			
		1	CNTR1 (I/O) / D7 (input)			
W42	PWM signal "H" interval expansion function control bit	0	PWM signal "H" interval expansion function invalid			
		1	PWM signal "H" interval expansion function valid			
W41	Timer 4 control bit	0	Stop (state retained)			
		1	Operating			
W40	Timer 4 count source selection bit	0	XIN input			
		1	Prescaler output (ORCLK) divided by 2			

Timer control register W5		at reset : 00002		at RAM back-up : state retained		R/W TAW5/TW5A
W53	Not used	0	This bit has no function, but read/write is enabled.			
		1				
W52	Period measurement circuit control bit	0	Stop			
		1	Operating			
W51	Signal for period measurement selection bits	W51 W50		Count source		
		0	0	On-chip oscillator (f(RING/16))		
		0	1	CNTR0 pin input		
W50		1	0	INT0 pin input		
		1	1	Not available		

Timer control register W6		at reset : 00002		at RAM back-up : state retained		R/W TAW6/TW6A
W63	CNTR1 pin input count edge selection bit	0	Falling edge			
		1	Rising edge			
W62	CNTR0 pin input count edge selection bit	0	Falling edge			
		1	Rising edge			
W61	CNTR1 output auto-control circuit selection bit	0	CNTR1 output auto-control circuit not selected			
		1	CNTR1 output auto-control circuit selected			
W60	D6/CNTR0 pin function selection bit	0	D6 (I/O) / CNTR0 (input)			
		1	CNTR0 (I/O) /D6 (input)			

Notes 1: "R" represents read enabled, and "W" represents write enabled.

2: This function is valid only when the timer 3 count start synchronous circuit is selected (I20="1").



Serial I/O control register J1		at reset : 00002		at RAM back-up : state retained	R/W TAJ1/TJ1A
J13	Serial I/O synchronous clock selection bits	J13	J12	Synchronous clock	
		0	0	Instruction clock (INSTCK) divided by 8	
0		1	Instruction clock (INSTCK) divided by 4		
1		0	Instruction clock (INSTCK) divided by 2		
J12		1	1	External clock (Sck input)	
J11	Serial I/O port function selection bits	J11	J10	Port function	
		0	0	P20, P21,P22 selected/SCK, SOUT, SIN not selected	
0		1	SCK, SOUT, P22 selected/P20, P21, SIN not selected		
1		0	SCK, P21, SIN selected/P20, SOUT, P22 not selected		
J10		1	1	SCK, SOUT, SIN selected/P20, P21,P22 not selected	

A/D control register Q1		at reset : 00002		at RAM back-up : state retained	R/W TAQ1/TQ1A
Q13	A/D operation mode selection bit	A/D conversion mode			
		Comparator mode			
Q12	Analog input pin selection bits	Q12	Q11	Q10	Analog input pins
		0	0	0	AIN0
0		0	1	AIN1	
Q11		0	1	0	AIN2
		0	1	1	AIN3
Q10		1	0	0	Not available
	1	0	1	Not available	
	1	1	0	Not available	
		1	1	1	Not available

A/D control register Q2		at reset : 00002		at RAM back-up : state retained	R/W TAQ2/TQ2A
Q23	Not used	0	This bit has no function, but read/write is enabled.		
		1			
Q22	P62/AIN2, P63/AIN3 pin function selection bit	0	P62, P63		
		1	AIN2, AIN3		
Q21	P61/AIN1 pin function selection bit	0	P61		
		1	AIN1		
Q20	P60/AIN0 pin function selection bit	0	P60		
		1	AIN0		

A/D control register Q3		at reset : 00002		at RAM back-up : state retained	R/W TAQ3/TQ3A
Q33	Not used	0	This bit has no function, but read/write is enabled.		
		1			
Q32	A/D converter operation clock selection bit	0	Instruction clock (INSTCK)		
		1	On-chip oscillator (f(RING))		
Q31	A/D converter operation clock division ratio selection bits	Q31	Q30	Division ratio	
		0	0	Frequency divided by 6	
0		1	Frequency divided by 12		
Q30		1	0	Frequency divided by 24	
	1	1	Frequency divided by 48		

Note: "R" represents read enabled, and "W" represents write enabled.

Key-on wakeup control register K0		at reset : 00002		at RAM back-up : state retained	R/W TAK0/TK0A
K03	Pins P12 and P13 key-on wakeup control bit	0	Key-on wakeup not used		
		1	Key-on wakeup used		
K02	Pins P10 and P11 key-on wakeup control bit	0	Key-on wakeup not used		
		1	Key-on wakeup used		
K01	Pins P02 and P03 key-on wakeup control bit	0	Key-on wakeup not used		
		1	Key-on wakeup used		
K00	Pins P00 and P01 key-on wakeup control bit	0	Key-on wakeup not used		
		1	Key-on wakeup used		
Key-on wakeup control register K1		at reset : 00002		at RAM back-up : state retained	R/W TAK1/TK1A
K13	Ports P02 and P03 return condition selection bit	0	Return by level		
		1	Return by edge		
K12	Ports P02 and P03 valid waveform/level selection bit	0	Falling waveform/"L" level		
		1	Rising waveform/"H" level		
K11	Ports P01 and P00 return condition selection bit	0	Return by level		
		1	Return by edge		
K10	Ports P01 and P00 valid waveform/level selection bit	0	Falling waveform/"L" level		
		1	Rising waveform/"H" level		
Key-on wakeup control register K2		at reset : 00002		at RAM back-up : state retained	R/W TAK2/TK2A
K23	INT1 pin return condition selection bit	0	Return by level		
		1	Return by edge		
K22	INT1 pin key-on wakeup contro bit	0	Key-on wakeup not used		
		1	Key-on wakeup used		
K21	INT0 pin return condition selection bit	0	Return by level		
		1	Return by edge		
K20	INT0 pin key-on wakeup contro bit	0	Key-on wakeup not used		
		1	Key-on wakeup used		

Note: "R" represents read enabled, and "W" represents write enabled.

Pull-up control register PU0		at reset : 00002		at RAM back-up : state retained	R/W TAPU0/ TPU0A
PU03	P03 pin pull-up transistor control bit	0	Pull-up transistor OFF		
		1	Pull-up transistor ON		
PU02	P02 pin pull-up transistor control bit	0	Pull-up transistor OFF		
		1	Pull-up transistor ON		
PU01	P01 pin pull-up transistor control bit	0	Pull-up transistor OFF		
		1	Pull-up transistor ON		
PU00	P00 pin pull-up transistor control bit	0	Pull-up transistor OFF		
		1	Pull-up transistor ON		
Pull-up control register PU1		at reset : 00002		at RAM back-up : state retained	R/W TAPU1/ TPU1A
PU13	P13 pin pull-up transistor control bit	0	Pull-up transistor OFF		
		1	Pull-up transistor ON		
PU12	P12 pin pull-up transistor control bit	0	Pull-up transistor OFF		
		1	Pull-up transistor ON		
PU11	P11 pin pull-up transistor control bit	0	Pull-up transistor OFF		
		1	Pull-up transistor ON		
PU10	P10 pin pull-up transistor control bit	0	Pull-up transistor OFF		
		1	Pull-up transistor ON		

Note: "R" represents read enabled, and "W" represents write enabled.

Port output structure control register FR0		at reset : 00002		at RAM back-up : state retained	W TFR0A
FR03	Ports P12, P13 output structure selection bit	0	N-channel open-drain output		
		1	CMOS output		
FR02	Ports P10, P11 output structure selection bit	0	N-channel open-drain output		
		1	CMOS output		
FR01	Ports P02, P03 output structure selection bit	0	N-channel open-drain output		
		1	CMOS output		
FR00	Ports P00, P01 output structure selection bit	0	N-channel open-drain output		
		1	CMOS output		

Port output structure control register FR1		at reset : 00002		at RAM back-up : state retained	W TFR1A
FR13	Port D3 output structure selection bit	0	N-channel open-drain output		
		1	CMOS output		
FR12	Port D2 output structure selection bit	0	N-channel open-drain output		
		1	CMOS output		
FR11	Port D1 output structure selection bit	0	N-channel open-drain output		
		1	CMOS output		
FR10	Port D0 output structure selection bit	0	N-channel open-drain output		
		1	CMOS output		

Port output structure control register FR2		at reset : 00002		at RAM back-up : state retained	W TFR2A
FR23	Port D7/CNTR1 output structure selection bit	0	N-channel open-drain output		
		1	CMOS output		
FR22	Port D6/CNTR0 output structure selection bit	0	N-channel open-drain output		
		1	CMOS output		
FR21	Port D5 output structure selection bit	0	N-channel open-drain output		
		1	CMOS output		
FR20	Port D4 output structure selection bit	0	N-channel open-drain output		
		1	CMOS output		

Note: "R" represents read enabled, and "W" represents write enabled.

## INSTRUCTIONS

The 4518 Group has the 148 instructions. Each instruction is described as follows;

- (1) Index list of instruction function
- (2) Machine instructions (index by alphabet)
- (3) Machine instructions (index by function)
- (4) Instruction code table

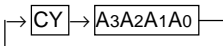
## SYMBOL

The symbols shown below are used in the following list of instruction function and the machine instructions.

Symbol	Contents	Symbol	Contents
A	Register A (4 bits)	PS	Prescaler
B	Register B (4 bits)	T1	Timer 1
DR	Register DR (3 bits)	T2	Timer 2
E	Register E (8 bits)	T3	Timer 3
V1	Interrupt control register V1 (4 bits)	T4	Timer 4
V2	Interrupt control register V2 (4 bits)	T1F	Timer 1 interrupt request flag
I1	Interrupt control register I1 (4 bits)	T2F	Timer 2 interrupt request flag
I2	Interrupt control register I2 (4 bits)	T3F	Timer 3 interrupt request flag
MR	Clock control register MR (4 bits)	T4F	Timer 4 interrupt request flag
RG	Clock control register RG (1 bit)	WDF1	Watchdog timer flag
PA	Timer control register PA (1 bit)	WEF	Watchdog timer enable flag
W1	Timer control register W1 (4 bits)	INTE	Interrupt enable flag
W2	Timer control register W2 (4 bits)	EXF0	External 0 interrupt request flag
W3	Timer control register W3 (4 bits)	EXF1	External 1 interrupt request flag
W4	Timer control register W4 (4 bits)	P	Power down flag
W5	Timer control register W5 (4 bits)	ADF	A/D conversion completion flag
W6	Timer control register W6 (4 bits)	SIOF	Serial I/O transmit/receive completion flag
J1	Serial I/O control register J1 (4 bits)		
Q1	A/D control register Q1 (4 bits)	D	Port D (8 bits)
Q2	A/D control register Q2 (4 bits)	P0	Port P0 (4 bits)
Q3	A/D control register Q3 (4 bits)	P1	Port P1 (4 bits)
PU0	Pull-up control register PU0 (4 bits)	P2	Port P2 (3 bits)
PU1	Pull-up control register PU1 (4 bits)	P3	Port P3 (2 bits)
FR0	Port output format control register FR0 (4 bits)	P6	Port P6 (4 bits)
FR1	Port output format control register FR1 (4 bits)		
FR2	Port output format control register FR2 (4 bits)	x	Hexadecimal variable
K0	Key-on wakeup control register K0 (4 bits)	y	Hexadecimal variable
K1	Key-on wakeup control register K1 (4 bits)	z	Hexadecimal variable
K2	Key-on wakeup control register K2 (4 bits)	p	Hexadecimal variable
X	Register X (4 bits)	n	Hexadecimal constant
Y	Register Y (4 bits)	i	Hexadecimal constant
Z	Register Z (2 bits)	j	Hexadecimal constant
DP	Data pointer (10 bits) (It consists of registers X, Y, and Z)	A3A2A1A0	Binary notation of hexadecimal variable A (same for others)
PC	Program counter (14 bits)		
PCH	High-order 7 bits of program counter	←	Direction of data movement
PCL	Low-order 7 bits of program counter	↔	Data exchange between a register and memory
SK	Stack register (14 bits X 8)	?	Decision of state shown before “?”
SP	Stack pointer (3 bits)	( )	Contents of registers and memories
CY	Carry flag	—	Negate, Flag unchanged after executing instruction
RPS	Prescaler reload register (8 bits)	M(DP)	RAM address pointed by the data pointer
R1	Timer 1 reload register (8 bits)	a	Label indicating address a6 a5 a4 a3 a2 a1 a0
R2	Timer 2 reload register (8 bits)	p, a	Label indicating address a6 a5 a4 a3 a2 a1 a0 in page p5 p4 p3 p2 p1 p0
R3	Timer 3 reload register (8 bits)	C	Hex. C + Hex. number x
R4L	Timer 4 reload register (8 bits)	+	
R4H	Timer 4 reload register (8 bits)	x	

Note : Some instructions of the 4518 Group has the skip function to unexecute the next described instruction. The 4518 Group just invalidates the next instruction when a skip is performed. The contents of program counter is not increased by 2. Accordingly, the number of cycles does not change even if skip is not performed. However, the cycle count becomes “1” if the TABP p, RT, or RTS instruction is skipped.

## INDEX LIST OF INSTRUCTION FUNCTION

Grouping	Mnemonic	Function	Grouping	Mnemonic	Function	
Register to register transfer	TAB	$(A) \leftarrow (B)$	RAM to register transfer	XAMI j	$(A) \leftarrow \rightarrow (M(DP))$ $(X) \leftarrow (X)EXOR(j)$ j = 0 to 15 $(Y) \leftarrow (Y) + 1$	
	TBA	$(B) \leftarrow (A)$		TMA j	$(M(DP)) \leftarrow (A)$ $(X) \leftarrow (X)EXOR(j)$ j = 0 to 15	
	TAY	$(A) \leftarrow (Y)$		Arithmetic operation	LA n	$(A) \leftarrow n$ n = 0 to 15
	TYA	$(Y) \leftarrow (A)$			TABP p	$(SP) \leftarrow (SP) + 1$ $(SK(SP)) \leftarrow (PC)$ $(PCH) \leftarrow p$ $(PCL) \leftarrow (DR2-DR0, A3-A0)$ $(DR2) \leftarrow 0$ $(DR1, DR0) \leftarrow (ROM(PC))_{9,8}$ $(B) \leftarrow (ROM(PC))_{7-4}$ $(A) \leftarrow (ROM(PC))_{3-0}$ $(PC) \leftarrow (SK(SP))$ $(SP) \leftarrow (SP) - 1$
	TEAB	$(E7-E4) \leftarrow (B)$ $(E3-E0) \leftarrow (A)$			AM	$(A) \leftarrow (A) + (M(DP))$
	TABE	$(B) \leftarrow (E7-E4)$ $(A) \leftarrow (E3-E0)$			AMC	$(A) \leftarrow (A) + (M(DP)) + (CY)$ $(CY) \leftarrow \text{Carry}$
	TDA	$(DR2-DR0) \leftarrow (A2-A0)$			A n	$(A) \leftarrow (A) + n$ n = 0 to 15
	TAD	$(A2-A0) \leftarrow (DR2-DR0)$ $(A3) \leftarrow 0$			AND	$(A) \leftarrow (A) \text{ AND } (M(DP))$
	TAZ	$(A1, A0) \leftarrow (Z1, Z0)$ $(A3, A2) \leftarrow 0$			OR	$(A) \leftarrow (A) \text{ OR } (M(DP))$
	TAX	$(A) \leftarrow (X)$			SC	$(CY) \leftarrow 1$
TASP	$(A2-A0) \leftarrow (SP2-SP0)$ $(A3) \leftarrow 0$	RC	$(CY) \leftarrow 0$			
RAM addresses	LXY x, y	$(X) \leftarrow x \ x = 0 \text{ to } 15$ $(Y) \leftarrow y \ y = 0 \text{ to } 15$	SZC		$(CY) = 0 ?$	
	LZ z	$(Z) \leftarrow z \ z = 0 \text{ to } 3$	CMA	$(A) \leftarrow (\bar{A})$		
	INY	$(Y) \leftarrow (Y) + 1$	RAR			
	DEY	$(Y) \leftarrow (Y) - 1$				
RAM to register transfer	TAM j	$(A) \leftarrow (M(DP))$ $(X) \leftarrow (X)EXOR(j)$ j = 0 to 15				
	XAM j	$(A) \leftarrow \rightarrow (M(DP))$ $(X) \leftarrow (X)EXOR(j)$ j = 0 to 15				
	XAMD j	$(A) \leftarrow \rightarrow (M(DP))$ $(X) \leftarrow (X)EXOR(j)$ j = 0 to 15 $(Y) \leftarrow (Y) - 1$				

Note: p is 0 to 15 for M34518M2,  
p is 0 to 31 for M34518M4,  
p is 0 to 47 for M34518M6,  
p is 0 to 63 for M34518M8/E8.

## INDEX LIST OF INSTRUCTION FUNCTION (continued)

Grouping	Mnemonic	Function	Grouping	Mnemonic	Function
Bit operation	SB j	$(M_j(DP)) \leftarrow 1$ j = 0 to 3	Interrupt operation	DI	$(INTE) \leftarrow 0$
	RB j	$(M_j(DP)) \leftarrow 0$ j = 0 to 3		EI	$(INTE) \leftarrow 1$
	SZB j	$(M_j(DP)) = 0 ?$ j = 0 to 3		SNZ0	V10 = 0: (EXF0) = 1 ? After skipping, (EXF0) $\leftarrow$ 0 V10 = 1: NOP
Comparison operation	SEAM	$(A) = (M(DP)) ?$		SNZ1	V11 = 0: (EXF1) = 1 ? After skipping, (EXF1) $\leftarrow$ 0 V11 = 1: NOP
	SEA n	$(A) = n ?$ n = 0 to 15		SNZI0	I12 = 1 : (INT0) = "H" ? I12 = 0 : (INT0) = "L" ?
Branch operation	B a	$(PCL) \leftarrow a6-a0$		SNZI1	I22 = 1 : (INT1) = "H" ? I22 = 0 : (INT1) = "L" ?
	BL p, a	$(PCH) \leftarrow p$ $(PCL) \leftarrow a6-a0$		TAV1	$(A) \leftarrow (V1)$
	BLA p	$(PCH) \leftarrow p$ $(PCL) \leftarrow (DR2-DR0, A3-A0)$		TV1A	$(V1) \leftarrow (A)$
Subroutine operation	BM a	$(SP) \leftarrow (SP) + 1$ $(SK(SP)) \leftarrow (PC)$ $(PCH) \leftarrow 2$ $(PCL) \leftarrow a6-a0$		TAV2	$(A) \leftarrow (V2)$
	BML p, a	$(SP) \leftarrow (SP) + 1$ $(SK(SP)) \leftarrow (PC)$ $(PCH) \leftarrow p$ $(PCL) \leftarrow a6-a0$		TV2A	$(V2) \leftarrow (A)$
	BMLA p	$(SP) \leftarrow (SP) + 1$ $(SK(SP)) \leftarrow (PC)$ $(PCH) \leftarrow p$ $(PCL) \leftarrow (DR2-DR0, A3-A0)$		TAI1	$(A) \leftarrow (I1)$
Return operation	RTI	$(PC) \leftarrow (SK(SP))$ $(SP) \leftarrow (SP) - 1$		TI1A	$(I1) \leftarrow (A)$
	RT	$(PC) \leftarrow (SK(SP))$ $(SP) \leftarrow (SP) - 1$		TAI2	$(A) \leftarrow (I2)$
	RTS	$(PC) \leftarrow (SK(SP))$ $(SP) \leftarrow (SP) - 1$		TI2A	$(I2) \leftarrow (A)$
				Timer operation	TPAA
			TAW1		$(A) \leftarrow (W1)$
			TW1A		$(W1) \leftarrow (A)$
			TAW2		$(A) \leftarrow (W2)$
			TW2A		$(W2) \leftarrow (A)$
			TAW3		$(A) \leftarrow (W3)$
			TW3A	$(W3) \leftarrow (A)$	

Note: p is 0 to 15 for M34518M2, p is 0 to 31 for M34518M4, p is 0 to 47 for M34518M6 and p is 0 to 63 for M34518M8/E8.

## INDEX LIST OF INSTRUCTION FUNCTION (continued)

Grouping	Mnemonic	Function	Grouping	Mnemonic	Function	
Timer operation	TAW4	(A) ← (W4)	Timer operation	T4HAB	(R4H7–R4H4) ← (B) (R4H3–R4H0) ← (A)	
	TW4A	(W4) ← (A)		TR1AB	(R17–R14) ← (B) (R13–R10) ← (A)	
	TAW5	(A) ← (W5)		TR3AB	(R37–R34) ← (B) (R33–R30) ← (A)	
	TW5A	(W5) ← (A)		T4R4L	(T47–T44) ← (R4L7–R4L4)	
	TAW6	(A) ← (W6)		SNZT1	V12 = 0: (T1F) = 1 ? After skipping, (T1F) ← 0 V12 = 1: NOP	
	TW6A	(W6) ← (A)		SNZT2	V13 = 0: (T2F) = 1 ? After skipping, (T2F) ← 0 V13 = 1: NOP	
	TABPS	(B) ← (TPS7–TPS4) (A) ← (TPS3–TPS0)		SNZT3	V20 = 0: (T3F) = 1 ? After skipping, (T3F) ← 0 V20 = 1: NOP	
	TPSAB	(RPS7–RPS4) ← (B) (TPS7–TPS4) ← (B) (RPS3–RPS0) ← (A) (TPS3–TPS0) ← (A)		SNZT4	V21 = 0: (T4F) = 1 ? After skipping, (T4F) ← 0 V21 = 1: NOP	
	TAB1	(B) ← (T17–T14) (A) ← (T13–T10)		Input/Output operation	IAP0	(A) ← (P0)
	T1AB	(R17–R14) ← (B) (T17–T14) ← (B) (R13–R10) ← (A) (T13–T10) ← (A)			OP0A	(P0) ← (A)
	TAB2	(B) ← (T27–T24) (A) ← (T23–T20)			IAP1	(A) ← (P1)
	T2AB	(R27–R24) ← (B) (T27–T24) ← (B) (R23–R20) ← (A) (T23–T20) ← (A)			OP1A	(P1) ← (A)
	TAB3	(B) ← (T37–T34) (A) ← (T33–T30)			IAP2	(A2–A0) ← (P22–P20) (A3) ← 0
	T3AB	(R37–R34) ← (B) (T37–T34) ← (B) (R33–R30) ← (A) (T33–T30) ← (A)			OP2A	(P22–P20) ← (A2–A0)
	TAB4	(B) ← (T47–T44) (A) ← (T43–T40)			IAP3	(A) ← (P3)
	T4AB	(R4L7–R4L4) ← (B) (T47–T44) ← (B) (R4L3–R4L0) ← (A) (T43–T40) ← (A)			OP3A	(P3) ← (A)
					IAP6	(A) ← (P6)
					OP6A	(P6) ← (A)



## INDEX LIST OF INSTRUCTION FUNCTION (continued)

Grouping	Mnemonic	Function	Grouping	Mnemonic	Function
Input/Output operation	CLD	(D) ← 1	Serial I/O operation	TABS1	(B) ← (SI7–SI4) (A) ← (SI3–SI0)
	RD	(D(Y)) ← 0 (Y) = 0 to 7		TSIAB	(SI7–SI4) ← (B) (SI3–SI0) ← (A)
	SD	(D(Y)) ← 1 (Y) = 0 to 7		SST	(SIOF) ← 0 Serial I/O starting
	SZD	(D(Y)) = 0 ? (Y) = 0 to 7		SNZSI	V23=0: (SIOF)=1? After skipping, (SIOF) ← 0 V23=1: NOP
	TAPU0	(A) ← (PU0)		TAJ1	(A) ← (J1)
	TPU0A	(PU0) ← (A)		TJ1A	(J1) ← (A)
	TAPU1	(A) ← (PU1)	A/D operation	TABAD	In A/D conversion mode, (B) ← (AD9–AD6) (A) ← (AD5–AD2) In comparator mode, (B) ← (AD7–AD4) (A) ← (AD3–AD0)
	TPU1A	(PU1) ← (A)		TALA	(A3, A2) ← (AD1, AD0) (A1, A0) ← 0
	TAK0	(A) ← (K0)		TADAB	(AD7–AD4) ← (B) (AD3–AD0) ← (A)
	TK0A	(K0) ← (A)		ADST	(ADF) ← 0 A/D conversion starting
	TAK1	(A) ← (K1)		SNZAD	V21 = 0: (ADF) = 1 ? After skipping, (ADF) ← 0 V21=1: NOP
	TK1A	(K1) ← (A)		TAQ1	(A) ← (Q1)
	TAK2	(A) ← (K2)		TQ1A	(Q1) ← (A)
	TK2A	(K2) ← (A)		TAQ2	(A) ← (Q2)
	TFR0A	(FR0) ← (A)		TQ2A	(Q2) ← (A)
	TFR1A	(FR1) ← (A)		TAQ3	(A) ← (Q3)
	TFR2A	(FR2) ← (A)		TQ3A	(Q3) ← (A)
	Clock operation	CMCK		Ceramic resonator selected	
CRCK		RC oscillator selected			
CYCK		Quartz-crystal oscillator selected			
TRGA		(RG0) ← (A0)			
TAMR		(A) ← (MR)			
TMRA		(MR) ← (A)			

**INDEX LIST OF INSTRUCTION FUNCTION (continued)**

Group- ing	Mnemonic	Function
Other operation	NOP	$(PC) \leftarrow (PC) + 1$
	POF	Transition to RAM back-up mode
	EPOF	POF instruction valid
	SNZP	$(P) = 1 ?$
	DWDT	Stop of watchdog timer function enabled
	WRST	$(WDF1) = 1 ?$ After skipping, $(WDF1) \leftarrow 0$
	SRST	System reset occurrence

## MACHINE INSTRUCTIONS (INDEX BY ALPHABET)

### A n (Add n and accumulator)

Instruction code	D9	D0	Number of words	Number of cycles	Flag CY	Skip condition
	0	0 0 1 1 0 n n n n	1	1	–	Overflow = 0
<b>Operation:</b>	(A) ← (A) + n n = 0 to 15		<b>Grouping:</b> Arithmetic operation			
			<b>Description:</b> Adds the value n in the immediate field to register A, and stores a result in register A. The contents of carry flag CY remains unchanged. Skips the next instruction when there is no overflow as the result of operation. Executes the next instruction when there is overflow as the result of operation.			

### ADST (A/D conversion SStart)

Instruction code	D9	D0	Number of words	Number of cycles	Flag CY	Skip condition
	1	0 1 0 0 0 1 1 1 1 1	1	1	–	–
<b>Operation:</b>	(ADF) ← 0 Q13 = 0: A/D conversion starting Q13 = 1: Comparator operation starting (Q13 : bit 3 of A/D control register Q1)		<b>Grouping:</b> A/D conversion operation			
			<b>Description:</b> Clears (0) to A/D conversion completion flag ADF, and the A/D conversion at the A/D conversion mode (Q13 = 0) or the comparator operation at the comparator mode (Q13 = 1) is started.			

### AM (Add accumulator and Memory)

Instruction code	D9	D0	Number of words	Number of cycles	Flag CY	Skip condition
	0	0 0 0 0 0 0 1 0 1 0	1	1	–	–
<b>Operation:</b>	(A) ← (A) + (M(DP))		<b>Grouping:</b> Arithmetic operation			
			<b>Description:</b> Adds the contents of M(DP) to register A. Stores the result in register A. The contents of carry flag CY remains unchanged.			

### AMC (Add accumulator, Memory and Carry)

Instruction code	D9	D0	Number of words	Number of cycles	Flag CY	Skip condition
	0	0 0 0 0 0 0 1 0 1 1	1	1	0/1	–
<b>Operation:</b>	(A) ← (A) + (M(DP)) + (CY) (CY) ← Carry		<b>Grouping:</b> Arithmetic operation			
			<b>Description:</b> Adds the contents of M(DP) and carry flag CY to register A. Stores the result in register A and carry flag CY.			

## MACHINE INSTRUCTIONS (INDEX BY ALPHABET) (continued)

### AND (logical AND between accumulator and memory)

Instruction code	D9	D0	Number of words	Number of cycles	Flag CY	Skip condition											
	0	0	0	0	0	1	1	0	0	0	0	1	8	1	1	–	–
<b>Operation:</b>	(A) ← (A) AND (M(DP))											<b>Grouping:</b>	Arithmetic operation				
												<b>Description:</b>	Takes the AND operation between the contents of register A and the contents of M(DP), and stores the result in register A.				

### B a (Branch to address a)

Instruction code	D9	D0	Number of words	Number of cycles	Flag CY	Skip condition											
	0	1	1	a <sub>6</sub>	a <sub>5</sub>	a <sub>4</sub>	a <sub>3</sub>	a <sub>2</sub>	a <sub>1</sub>	a <sub>0</sub>	1	8	a	1	1	–	–
<b>Operation:</b>	(PCL) ← a <sub>6</sub> to a <sub>0</sub>											<b>Grouping:</b>	Branch operation				
												<b>Description:</b>	Branch within a page : Branches to address a in the identical page.				
												<b>Note:</b>	Specify the branch address within the page including this instruction.				

### BL p, a (Branch Long to address a in page p)

Instruction code	D9	D0	Number of words	Number of cycles	Flag CY	Skip condition											
	0	0	1	1	1	p <sub>4</sub>	p <sub>3</sub>	p <sub>2</sub>	p <sub>1</sub>	p <sub>0</sub>	0	E	p	2	2	–	–
	1	0	p <sub>5</sub>	a <sub>6</sub>	a <sub>5</sub>	a <sub>4</sub>	a <sub>3</sub>	a <sub>2</sub>	a <sub>1</sub>	a <sub>0</sub>	2	p	a	2	2	–	–
<b>Operation:</b>	(PCH) ← p (PCL) ← a <sub>6</sub> to a <sub>0</sub>											<b>Grouping:</b>	Branch operation				
												<b>Description:</b>	Branch out of a page : Branches to address a in page p.				
												<b>Note:</b>	p is 0 to 15 for M34518M2, p is 0 to 31 for M34518M4, p is 0 to 47 for M34518M6 and p is 0 to 63 for M34518M8E8.				

### BLA p (Branch Long to address (D) + (A) in page p)

Instruction code	D9	D0	Number of words	Number of cycles	Flag CY	Skip condition											
	0	0	0	0	0	1	0	0	0	0	0	1	0	2	2	–	–
	1	0	p <sub>5</sub>	p <sub>4</sub>	0	0	p <sub>3</sub>	p <sub>2</sub>	p <sub>1</sub>	p <sub>0</sub>	2	p	p	2	2	–	–
<b>Operation:</b>	(PCH) ← p (PCL) ← (DR <sub>2</sub> –DR <sub>0</sub> , A <sub>3</sub> –A <sub>0</sub> )											<b>Grouping:</b>	Branch operation				
												<b>Description:</b>	Branch out of a page : Branches to address (DR <sub>2</sub> DR <sub>1</sub> DR <sub>0</sub> A <sub>3</sub> A <sub>2</sub> A <sub>1</sub> A <sub>0</sub> ) <sub>2</sub> specified by registers D and A in page p.				
												<b>Note:</b>	p is 0 to 15 for M34518M2, p is 0 to 31 for M34518M4, p is 0 to 47 for M34518M6 and p is 0 to 63 for M34518M8E8.				

## MACHINE INSTRUCTIONS (INDEX BY ALPHABET) (continued)

### BM a (Branch and Mark to address a in page 2)

Instruction code	D9	D0										Number of words	Number of cycles	Flag CY	Skip condition				
	0	1	0	a6	a5	a4	a3	a2	a1	a0	2	1	a	a	16	1	1	-	-
<b>Operation:</b>	$(SP) \leftarrow (SP) + 1$ $(SK(SP)) \leftarrow (PC)$ $(PCH) \leftarrow 2$ $(PCL) \leftarrow a6-a0$																		
<b>Grouping:</b>	Subroutine call operation																		
<b>Description:</b>	Call the subroutine in page 2 : Calls the subroutine at address a in page 2.																		
<b>Note:</b>	Subroutine extending from page 2 to another page can also be called with the BM instruction when it starts on page 2. Be careful not to over the stack because the maximum level of subroutine nesting is 8.																		

### BML p, a (Branch and Mark Long to address a in page p)

Instruction code	D9	D0										Number of words	Number of cycles	Flag CY	Skip condition					
	0	0	1	1	0	p4	p3	p2	p1	p0	2	0	C	+p	p	16	2	2	-	-
	1	0	p5	a6	a5	a4	a3	a2	a1	a0	2	2	p	+a	a	16	2	2	-	-
<b>Operation:</b>	$(SP) \leftarrow (SP) + 1$ $(SK(SP)) \leftarrow (PC)$ $(PCH) \leftarrow p$ $(PCL) \leftarrow a6-a0$																			
<b>Grouping:</b>	Subroutine call operation																			
<b>Description:</b>	Call the subroutine : Calls the subroutine at address a in page p.																			
<b>Note:</b>	p is 0 to 15 for M34518M2, p is 0 to 31 for M34518M4, p is 0 to 47 for M34518M6 and p is 0 to 63 for M34518M8E8. Be careful not to over the stack because the maximum level of subroutine nesting is 8.																			

### BMLA p (Branch and Mark Long to address (D) + (A) in page p)

Instruction code	D9	D0										Number of words	Number of cycles	Flag CY	Skip condition				
	0	0	0	0	1	1	0	0	0	0	2	0	3	0	16	2	2	-	-
	1	0	p5	p4	0	0	p3	p2	p1	p0	2	2	p	p	16	2	2	-	-
<b>Operation:</b>	$(SP) \leftarrow (SP) + 1$ $(SK(SP)) \leftarrow (PC)$ $(PCH) \leftarrow p$ $(PCL) \leftarrow (DR2-DR0, A3-A0)$																		
<b>Grouping:</b>	Subroutine call operation																		
<b>Description:</b>	Call the subroutine : Calls the subroutine at address (DR2 DR1 DR0 A3 A2 A1 A0) <sub>2</sub> specified by registers D and A in page p.																		
<b>Note:</b>	p is 0 to 15 for M34518M2, p is 0 to 31 for M34518M4, p is 0 to 47 for M34518M6 and p is 0 to 63 for M34518M8E8. Be careful not to over the stack because the maximum level of subroutine nesting is 8.																		

### CLD (CLear port D)

Instruction code	D9	D0										Number of words	Number of cycles	Flag CY	Skip condition					
	0	0	0	0	0	1	0	0	0	0	1	2	0	1	1	16	1	1	-	-
<b>Operation:</b>	$(D) \leftarrow 1$																			
<b>Grouping:</b>	Input/Output operation																			
<b>Description:</b>	Sets (1) to port D.																			

## MACHINE INSTRUCTIONS (INDEX BY ALPHABET) (continued)

### CMA (CoMplement of Accumulator)

Instruction code	D9	D0	Number of words	Number of cycles	Flag CY	Skip condition													
	0	0	0	0	0	1	1	1	0	0	2	0	1	C	16	1	1	-	-
<b>Operation:</b>	$(A) \leftarrow \overline{(A)}$											<b>Grouping:</b>	Arithmetic operation						
												<b>Description:</b>	Stores the one's complement for register A's contents in register A.						

### CMCK (Clock select: ceraMic oscillation Clock)

Instruction code	D9	D0	Number of words	Number of cycles	Flag CY	Skip condition													
	1	0	1	0	0	1	1	0	1	0	2	2	9	A	16	1	1	-	-
<b>Operation:</b>	Ceramic oscillation circuit selected											<b>Grouping:</b>	Clock control operation						
												<b>Description:</b>	Selects the ceramic oscillation circuit for main clock f(XIN).						

### CRCK (Clock select: Rc oscillation Clock)

Instruction code	D9	D0	Number of words	Number of cycles	Flag CY	Skip condition													
	1	0	1	0	0	1	1	0	1	1	2	2	9	B	16	1	1	-	-
<b>Operation:</b>	RC oscillation circuit selected											<b>Grouping:</b>	Clock control operation						
												<b>Description:</b>	Selects the RC oscillation circuit for main clock f(XIN).						

### CYCK (Clock select: crYstal oscillation Clock)

Instruction code	D9	D0	Number of words	Number of cycles	Flag CY	Skip condition													
	1	0	1	0	0	1	1	1	0	1	2	2	9	D	16	1	1	-	-
<b>Operation:</b>	Quartz-crystal oscillation circuit selected											<b>Grouping:</b>	Clock control operation						
												<b>Description:</b>	Selects the quartz-crystal oscillation circuit for main clock f(XIN).						

## MACHINE INSTRUCTIONS (INDEX BY ALPHABET) (continued)

DEY (DEcrement register Y)																				
Instruction code	D9										D0		Number of words	Number of cycles	Flag CY	Skip condition				
	0	0	0	0	0	0	1	0	1	1	1	2	0	1	7	16	1	1	–	(Y) = 15
<b>Operation:</b> $(Y) \leftarrow (Y) - 1$											<b>Grouping:</b> RAM addresses									
											<b>Description:</b> Subtracts 1 from the contents of register Y. As a result of subtraction, when the contents of register Y is 15, the next instruction is skipped. When the contents of register Y is not 15, the next instruction is executed.									
DI (Disable Interrupt)																				
Instruction code	D9										D0		Number of words	Number of cycles	Flag CY	Skip condition				
	0	0	0	0	0	0	0	0	1	0	0	2	0	0	4	16	1	1	–	–
<b>Operation:</b> $(INTE) \leftarrow 0$											<b>Grouping:</b> Interrupt control operation									
											<b>Description:</b> Clears (0) to interrupt enable flag INTE, and disables the interrupt.									
											<b>Note:</b> Interrupt is disabled by executing the DI instruction after executing 1 machine cycle.									
DWDT (Disable WatchDog Timer)																				
Instruction code	D9										D0		Number of words	Number of cycles	Flag CY	Skip condition				
	1	0	1	0	0	1	1	1	0	0	2	2	9	C	16	1	1	–	–	
<b>Operation:</b> Stop of watchdog timer function enabled											<b>Grouping:</b> Other operation									
											<b>Description:</b> Stops the watchdog timer function by the WRST instruction after executing the DWDT instruction.									
EI (Enable Interrupt)																				
Instruction code	D9										D0		Number of words	Number of cycles	Flag CY	Skip condition				
	0	0	0	0	0	0	0	1	0	1	2	0	0	5	16	1	1	–	–	
<b>Operation:</b> $(INTE) \leftarrow 1$											<b>Grouping:</b> Interrupt control operation									
											<b>Description:</b> Sets (1) to interrupt enable flag INTE, and enables the interrupt.									
											<b>Note:</b> Interrupt is enabled by executing the EI instruction after executing 1 machine cycle.									

## MACHINE INSTRUCTIONS (INDEX BY ALPHABET) (continued)

### EPOF (Enable POF instruction)

Instruction code	D9	D0	Number of words	Number of cycles	Flag CY	Skip condition													
	0	0	0	1	0	1	1	0	1	1	2	0	5	B	16	1	1	–	–
<b>Operation:</b>	POF instruction valid											<b>Grouping:</b>	Other operation						
<b>Description:</b>	Makes the immediate after POF instruction valid by executing the EPOF instruction.																		

### IAP0 (Input Accumulator from port P0)

Instruction code	D9	D0	Number of words	Number of cycles	Flag CY	Skip condition													
	1	0	0	1	1	0	0	0	0	0	2	2	6	0	16	1	1	–	–
<b>Operation:</b>	(A) ← (P0)											<b>Grouping:</b>	Input/Output operation						
<b>Description:</b>	Transfers the input of port P0 to register A.																		

### IAP1 (Input Accumulator from port P1)

Instruction code	D9	D0	Number of words	Number of cycles	Flag CY	Skip condition													
	1	0	0	1	1	0	0	0	0	0	2	2	6	1	16	1	1	–	–
<b>Operation:</b>	(A) ← (P1)											<b>Grouping:</b>	Input/Output operation						
<b>Description:</b>	Transfers the input of port P1 to register A.																		

### IAP2 (Input Accumulator from port P2)

Instruction code	D9	D0	Number of words	Number of cycles	Flag CY	Skip condition													
	1	0	0	1	1	0	0	0	1	0	2	2	6	2	16	1	1	–	–
<b>Operation:</b>	(A2–A0) ← (P22–P20) (A3) ← 0											<b>Grouping:</b>	Input/Output operation						
<b>Description:</b>	Transfers the input of port P2 to register A.																		



## MACHINE INSTRUCTIONS (INDEX BY ALPHABET) (continued)

### IAP3 (Input Accumulator from port P3)

Instruction code	D9	D0	Number of words	Number of cycles	Flag CY	Skip condition
	1	0 0 1 1 0 0 0 1 1	1	1	–	–
<b>Operation:</b>	$(A) \leftarrow (P3)$		<b>Grouping:</b>	Input/Output operation		
			<b>Description:</b>	Transfers the input of port P3 to register A.		

### IAP6 (Input Accumulator from port P6)

Instruction code	D9	D0	Number of words	Number of cycles	Flag CY	Skip condition
	1	0 0 1 1 0 0 1 1 0	1	1	–	–
<b>Operation:</b>	$(A) \leftarrow (P6)$		<b>Grouping:</b>	Input/Output operation		
			<b>Description:</b>	Transfers the input of port P6 to register A.		

### INY (INcrement register Y)

Instruction code	D9	D0	Number of words	Number of cycles	Flag CY	Skip condition
	0	0 0 0 0 0 1 0 0 1 1	1	1	–	$(Y) = 0$
<b>Operation:</b>	$(Y) \leftarrow (Y) + 1$		<b>Grouping:</b>	RAM addresses		
			<b>Description:</b>	Adds 1 to the contents of register Y. As a result of addition, when the contents of register Y is 0, the next instruction is skipped. When the contents of register Y is not 0, the next instruction is executed.		

### LA n (Load n in Accumulator)

Instruction code	D9	D0	Number of words	Number of cycles	Flag CY	Skip condition
	0	0 0 1 1 1 n n n n	1	1	–	Continuous description
<b>Operation:</b>	$(A) \leftarrow n$ $n = 0 \text{ to } 15$		<b>Grouping:</b>	Arithmetic operation		
			<b>Description:</b>	Loads the value n in the immediate field to register A. When the LA instructions are continuously coded and executed, only the first LA instruction is executed and other LA instructions coded continuously are skipped.		

## MACHINE INSTRUCTIONS (INDEX BY ALPHABET) (continued)

### LXY x, y (Load register X and Y with x and y)

Instruction code	D9	D0	Number of words	Number of cycles	Flag CY	Skip condition													
	1	1	x3	x2	x1	x0	y3	y2	y1	y0	2	3	x	y	16	1	1	–	Continuous description
<b>Operation:</b>	(X) ← x x = 0 to 15 (Y) ← y y = 0 to 15											<b>Grouping:</b> RAM addresses				<b>Description:</b> Loads the value x in the immediate field to register X, and the value y in the immediate field to register Y. When the LXY instructions are continuously coded and executed, only the first LXY instruction is executed and other LXY instructions coded continuously are skipped.			

### LZ z (Load register Z with z)

Instruction code	D9	D0	Number of words	Number of cycles	Flag CY	Skip condition														
	0	0	0	1	0	0	1	0	z1	z0	2	0	4	8	+z	16	1	1	–	–
<b>Operation:</b>	(Z) ← z z = 0 to 3											<b>Grouping:</b> RAM addresses				<b>Description:</b> Loads the value z in the immediate field to register Z.				

### NOP (No Operation)

Instruction code	D9	D0	Number of words	Number of cycles	Flag CY	Skip condition																		
	0	0	0	0	0	0	0	0	0	0	0	0	0	0	0	2	0	0	0	16	1	1	–	–
<b>Operation:</b>	(PC) ← (PC) + 1											<b>Grouping:</b> Other operation				<b>Description:</b> No operation; Adds 1 to program counter value, and others remain unchanged.								

### OP0A (Output port P0 from Accumulator)

Instruction code	D9	D0	Number of words	Number of cycles	Flag CY	Skip condition													
	1	0	0	0	1	0	0	0	0	0	0	2	2	0	16	1	1	–	–
<b>Operation:</b>	(P0) ← (A)											<b>Grouping:</b> Input/Output operation				<b>Description:</b> Outputs the contents of register A to port P0.			

## MACHINE INSTRUCTIONS (INDEX BY ALPHABET) (continued)

### OP1A (Output port P1 from Accumulator)

Instruction code	D9	D8	D7	D6	D5	D4	D3	D2	D1	D0	Number of words	Number of cycles	Flag CY	Skip condition		
	1	0	0	0	1	0	0	0	0	1	2	2	1	16	–	–
<b>Operation:</b>	(P1) ← (A)											<b>Grouping:</b>	Input/Output operation			
												<b>Description:</b>	Outputs the contents of register A to port P1.			

### OP2A (Output port P2 from Accumulator)

Instruction code	D9	D8	D7	D6	D5	D4	D3	D2	D1	D0	Number of words	Number of cycles	Flag CY	Skip condition		
	1	0	0	0	1	0	0	0	1	0	2	2	2	16	–	–
<b>Operation:</b>	(P2) ← (A)											<b>Grouping:</b>	Input/Output operation			
												<b>Description:</b>	Outputs the contents of register A to port P2.			

### OP3A (Output port P3 from Accumulator)

Instruction code	D9	D8	D7	D6	D5	D4	D3	D2	D1	D0	Number of words	Number of cycles	Flag CY	Skip condition		
	1	0	0	0	1	0	0	0	1	1	2	2	3	16	–	–
<b>Operation:</b>	(P3) ← (A)											<b>Grouping:</b>	Input/Output operation			
												<b>Description:</b>	Outputs the contents of register A to port P3.			

### OP6A (Output port P6 from Accumulator)

Instruction code	D9	D8	D7	D6	D5	D4	D3	D2	D1	D0	Number of words	Number of cycles	Flag CY	Skip condition		
	1	0	0	0	1	0	0	1	1	0	2	2	6	16	–	–
<b>Operation:</b>	(P6) ← (A)											<b>Grouping:</b>	Input/Output operation			
												<b>Description:</b>	Outputs the contents of register A to port P6.			

## MACHINE INSTRUCTIONS (INDEX BY ALPHABET) (continued)

### OR (logical OR between accumulator and memory)

Instruction code	D9	D8	D7	D6	D5	D4	D3	D2	D1	D0	Number of words	Number of cycles	Flag CY	Skip condition	
	0	0	0	0	0	1	1	0	0	1	1	1	9	–	
<b>Operation:</b>	(A) ← (A) OR (M(DP))											<b>Grouping:</b>	Arithmetic operation	<b>Description:</b>	Takes the OR operation between the contents of register A and the contents of M(DP), and stores the result in register A.

### POF (Power Off)

Instruction code	D9	D8	D7	D6	D5	D4	D3	D2	D1	D0	Number of words	Number of cycles	Flag CY	Skip condition			
	0	0	0	0	0	0	0	0	1	0	1	0	2	–			
<b>Operation:</b>	Transition to RAM back-up mode											<b>Grouping:</b>	Other operation	<b>Description:</b>	Puts the system in RAM back-up state by executing the POF instruction after executing the EPOF instruction.	<b>Note:</b>	If the EPOF instruction is not executed before executing this instruction, this instruction is equivalent to the NOP instruction.

### RAR (Rotate Accumulator Right)

Instruction code	D9	D8	D7	D6	D5	D4	D3	D2	D1	D0	Number of words	Number of cycles	Flag CY	Skip condition	
	0	0	0	0	0	1	1	1	0	1	1	1	D	–	
<b>Operation:</b>												<b>Grouping:</b>	Arithmetic operation	<b>Description:</b>	Rotates 1 bit of the contents of register A including the contents of carry flag CY to the right.

### RB j (Reset Bit)

Instruction code	D9	D8	D7	D6	D5	D4	D3	D2	D1	D0	Number of words	Number of cycles	Flag CY	Skip condition	
	0	0	0	1	0	0	1	1	j	j	1	4	C+j	–	
<b>Operation:</b>	(M <sub>j</sub> (DP)) ← 0 j = 0 to 3											<b>Grouping:</b>	Bit operation	<b>Description:</b>	Clears (0) the contents of bit j (bit specified by the value j in the immediate field) of M(DP).

## MACHINE INSTRUCTIONS (INDEX BY ALPHABET) (continued)

### RC (Reset Carry flag)

Instruction code	D9	D0	Number of words	Number of cycles	Flag CY	Skip condition												
	0	0	0	0	0	0	1	1	0	2	0	0	6	16	1	1	0	–
<b>Operation:</b>	(CY) ← 0																	
<b>Grouping:</b>	Arithmetic operation																	
<b>Description:</b>	Clears (0) to carry flag CY.																	

### RD (Reset port D specified by register Y)

Instruction code	D9	D0	Number of words	Number of cycles	Flag CY	Skip condition													
	0	0	0	0	0	1	0	1	0	0	2	0	1	4	16	1	1	–	–
<b>Operation:</b>	(D(Y)) ← 0 However, (Y) = 0 to 7																		
<b>Grouping:</b>	Input/Output operation																		
<b>Description:</b>	Clears (0) to a bit of port D specified by register Y.																		

### RT (ReTurn from subroutine)

Instruction code	D9	D0	Number of words	Number of cycles	Flag CY	Skip condition													
	0	0	0	1	0	0	0	1	0	0	2	0	4	4	16	1	2	–	–
<b>Operation:</b>	(PC) ← (SK(SP)) (SP) ← (SP) – 1																		
<b>Grouping:</b>	Return operation																		
<b>Description:</b>	Returns from subroutine to the routine called the subroutine.																		

### RTI (ReTurn from Interrupt)

Instruction code	D9	D0	Number of words	Number of cycles	Flag CY	Skip condition													
	0	0	0	1	0	0	0	1	1	0	2	0	4	6	16	1	1	–	–
<b>Operation:</b>	(PC) ← (SK(SP)) (SP) ← (SP) – 1																		
<b>Grouping:</b>	Return operation																		
<b>Description:</b>	Returns from interrupt service routine to main routine. Returns each value of data pointer (X, Y, Z), carry flag, skip status, NOP mode status by the continuous description of the LA/LXY instruction, register A and register B to the states just before interrupt.																		

## MACHINE INSTRUCTIONS (INDEX BY ALPHABET) (continued)

### RTS (ReTurn from subroutine and Skip)

Instruction code	D9	D0	Number of words	Number of cycles	Flag CY	Skip condition											
	0	0	0	1	0	0	0	1	0	1	0	4	5	1	2	–	Skip at uncondition
<b>Operation:</b>	(PC) ← (SK(SP)) (SP) ← (SP) – 1						<b>Grouping:</b>	Return operation									
							<b>Description:</b>	Returns from subroutine to the routine called the subroutine, and skips the next instruction at uncondition.									

### SB j (Set Bit)

Instruction code	D9	D0	Number of words	Number of cycles	Flag CY	Skip condition											
	0	0	0	1	0	1	1	1	j	j	0	5	C+j	1	1	–	–
<b>Operation:</b>	(Mj(DP)) ← 1 j = 0 to 3						<b>Grouping:</b>	Bit operation									
							<b>Description:</b>	Sets (1) the contents of bit j (bit specified by the value j in the immediate field) of M(DP).									

### SC (Set Carry flag)

Instruction code	D9	D0	Number of words	Number of cycles	Flag CY	Skip condition											
	0	0	0	0	0	0	0	1	1	1	0	0	7	1	1	1	–
<b>Operation:</b>	(CY) ← 1						<b>Grouping:</b>	Arithmetic operation									
							<b>Description:</b>	Sets (1) to carry flag CY.									

### SD (Set port D specified by register Y)

Instruction code	D9	D0	Number of words	Number of cycles	Flag CY	Skip condition											
	0	0	0	0	0	1	0	1	0	1	0	1	5	1	1	–	–
<b>Operation:</b>	(D(Y)) ← 1 (Y) = 0 to 7						<b>Grouping:</b>	Input/Output operation									
							<b>Description:</b>	Sets (1) to a bit of port D specified by register Y.									

## MACHINE INSTRUCTIONS (INDEX BY ALPHABET) (continued)

### SEA n (Skip Equal, Accumulator with immediate data n)

Instruction code	D9	D0										Number of words	Number of cycles	Flag CY	Skip condition	
	0	0	0	0	1	0	0	1	0	1	2	0	2	5	16	
	0	0	0	1	1	1	n	n	n	n	2	0	7	n	16	
<b>Operation:</b>	(A) = n ? n = 0 to 15															
<b>Grouping:</b>	Comparison operation															
<b>Description:</b>	Skips the next instruction when the contents of register A is equal to the value n in the immediate field. Executes the next instruction when the contents of register A is not equal to the value n in the immediate field.															

### SEAM (Skip Equal, Accumulator with Memory)

Instruction code	D9	D0										Number of words	Number of cycles	Flag CY	Skip condition	
	0	0	0	0	1	0	0	1	1	0	2	0	2	6	16	
<b>Operation:</b>	(A) = (M(DP)) ?															
<b>Grouping:</b>	Comparison operation															
<b>Description:</b>	Skips the next instruction when the contents of register A is equal to the contents of M(DP). Executes the next instruction when the contents of register A is not equal to the contents of M(DP).															

### SNZ0 (Skip if Non Zero condition of external 0 interrupt request flag)

Instruction code	D9	D0										Number of words	Number of cycles	Flag CY	Skip condition	
	0	0	0	0	1	1	1	0	0	0	2	0	3	8	16	
<b>Operation:</b>	V10 = 0: (EXF0) = 1 ? After skipping, (EXF0) ← 0 V10 = 1: SNZ0 = NOP (V10 : bit 0 of the interrupt control register V1)															
<b>Grouping:</b>	Interrupt operation															
<b>Description:</b>	When V10 = 0 : Skips the next instruction when external 0 interrupt request flag EXF0 is "1." After skipping, clears (0) to the EXF0 flag. When the EXF0 flag is "0," executes the next instruction. When V10 = 1 : This instruction is equivalent to the NOP instruction.															

### SNZ1 (Skip if Non Zero condition of external 1 interrupt request flag)

Instruction code	D9	D0										Number of words	Number of cycles	Flag CY	Skip condition	
	0	0	0	0	1	1	1	0	0	1	2	0	3	9	16	
<b>Operation:</b>	V11 = 0: (EXF1) = 1 ? After skipping, (EXF1) ← 0 V11 = 1: SNZ1 = NOP (V11 : bit 1 of the interrupt control register V1)															
<b>Grouping:</b>	Interrupt operation															
<b>Description:</b>	When V11 = 0 : Skips the next instruction when external 1 interrupt request flag EXF1 is "1." After skipping, clears (0) to the EXF1 flag. When the EXF1 flag is "0," executes the next instruction. When V11 = 1 : This instruction is equivalent to the NOP instruction.															

## MACHINE INSTRUCTIONS (INDEX BY ALPHABET) (continued)

### SNZAD (Skip if Non Zero condition of A/D conversion completion flag)

Instruction code	D9	D0										Number of words	Number of cycles	Flag CY	Skip condition					
	1	0	1	0	0	0	0	0	1	1	1	2	2	8	7	16	1	1	-	V22 = 0: (ADF) = 1
<b>Operation:</b>	V22 = 0: (ADF) = 1 ? After skipping, (ADF) ← 0 V22 = 1: SNZAD = NOP (V22 : bit 2 of the interrupt control register V2)																			
<b>Grouping:</b>	A/D conversion operation																			
<b>Description:</b>	When V22 = 0 : Skips the next instruction when A/D conversion completion flag ADF is "1." After skipping, clears (0) to the ADF flag. When the ADF flag is "0," executes the next instruction. When V22 = 1 : This instruction is equivalent to the NOP instruction.																			

### SNZIO (Skip if Non Zero condition of external 0 Interrupt input pin)

Instruction code	D9	D0										Number of words	Number of cycles	Flag CY	Skip condition				
	0	0	0	0	1	1	1	0	1	0	2	0	3	A	16	1	1	-	I12 = 0 : (INT0) = "L" I12 = 1 : (INT0) = "H"
<b>Operation:</b>	I12 = 0 : (INT0) = "L" ? I12 = 1 : (INT0) = "H" ? (I12 : bit 2 of the interrupt control register I1)																		
<b>Grouping:</b>	Interrupt operation																		
<b>Description:</b>	When I12 = 0 : Skips the next instruction when the level of INT0 pin is "L." Executes the next instruction when the level of INT0 pin is "H." When I12 = 1 : Skips the next instruction when the level of INT0 pin is "H." Executes the next instruction when the level of INT0 pin is "L."																		

### SNZ11 (Skip if Non Zero condition of external 1 Interrupt input pin)

Instruction code	D9	D0										Number of words	Number of cycles	Flag CY	Skip condition				
	0	0	0	0	1	1	1	0	1	1	2	0	3	B	16	1	1	-	I22 = 0 : (INT1) = "L" I22 = 1 : (INT1) = "H"
<b>Operation:</b>	I22 = 0 : (INT1) = "L" ? I22 = 1 : (INT1) = "H" ? (I22 : bit 2 of the interrupt control register I2)																		
<b>Grouping:</b>	Interrupt operation																		
<b>Description:</b>	When I22 = 0 : Skips the next instruction when the level of INT1 pin is "L." Executes the next instruction when the level of INT1 pin is "H." When I22 = 1 : Skips the next instruction when the level of INT1 pin is "H." Executes the next instruction when the level of INT1 pin is "L."																		

### SNZP (Skip if Non Zero condition of Power down flag)

Instruction code	D9	D0										Number of words	Number of cycles	Flag CY	Skip condition				
	0	0	0	0	0	0	0	0	1	1	2	0	0	3	16	1	1	-	(P) = 1
<b>Operation:</b>	(P) = 1 ?																		
<b>Grouping:</b>	Other operation																		
<b>Description:</b>	Skips the next instruction when the P flag is "1". After skipping, the P flag remains unchanged. Executes the next instruction when the P flag is "0."																		



## MACHINE INSTRUCTIONS (INDEX BY ALPHABET) (continued)

SNZSI (Skip if Non Zero condition of Serial I/o interrupt request flag)																			
Instruction code	D9							D0			Number of words	Number of cycles	Flag CY	Skip condition					
	1	0	1	0	0	0	1	0	0	0	2	2	8	8	16	1	1	-	V23 = 0: (SIOF) = 1
<b>Operation:</b>	V23 = 0: (SIOF) = 1 ? After skipping, (SIOF) ← 0 V23 = 1: SNZSI = NOP (V23 = bit 3 of interrupt control register V2)										<b>Grouping:</b>	Serial I/O operation							
											<b>Description:</b>	When V23 = 0 : Skips the next instruction when serial I/O interrupt request flag SIOF is "1." After skipping, clears (0) to the SIOF flag. When the SIOF flag is "0," executes the next instruction. When V23 = 1 : This instruction is equivalent to the NOP instruction.							
SNZT1 (Skip if Non Zero condition of Timer 1 interrupt request flag)																			
Instruction code	D9							D0			Number of words	Number of cycles	Flag CY	Skip condition					
	1	0	1	0	0	0	0	0	0	0	2	2	8	0	16	1	1	-	V12 = 0: (T1F) = 1
<b>Operation:</b>	V12 = 0: (T1F) = 1 ? After skipping, (T1F) ← 0 V12 = 1: SNZT1 = NOP (V12 = bit 2 of interrupt control register V1)										<b>Grouping:</b>	Timer operation							
											<b>Description:</b>	When V12 = 0 : Skips the next instruction when timer 1 interrupt request flag T1F is "1." After skipping, clears (0) to the T1F flag. When the T1F flag is "0," executes the next instruction. When V12 = 1 : This instruction is equivalent to the NOP instruction.							
SNZT2 (Skip if Non Zero condition of Timer 2 interrupt request flag)																			
Instruction code	D9							D0			Number of words	Number of cycles	Flag CY	Skip condition					
	1	0	1	0	0	0	0	0	0	1	2	2	8	1	16	1	1	-	V13 = 0: (T2F) = 1
<b>Operation:</b>	V13 = 0: (T2F) = 1 ? After skipping, (T2F) ← 0 V13 = 1: SNZT2 = NOP (V13 = bit 3 of interrupt control register V1)										<b>Grouping:</b>	Timer operation							
											<b>Description:</b>	When V13 = 0 : Skips the next instruction when timer 2 interrupt request flag T2F is "1." After skipping, clears (0) to the T2F flag. When the T2F flag is "0," executes the next instruction. When V13 = 1 : This instruction is equivalent to the NOP instruction.							
SNZT3 (Skip if Non Zero condition of Timer 3 interrupt request flag)																			
Instruction code	D9							D0			Number of words	Number of cycles	Flag CY	Skip condition					
	1	0	1	0	0	0	0	1	0	0	2	2	8	2	16	1	1	-	V20 = 0: (T3F) = 1
<b>Operation:</b>	V20 = 0: (T3F) = 1 ? After skipping, (T3F) ← 0 V20 = 1: SNZT3 = NOP (V20 = bit 0 of interrupt control register V2)										<b>Grouping:</b>	Timer operation							
											<b>Description:</b>	When V20 = 0 : Skips the next instruction when timer 3 interrupt request flag T3F is "1." After skipping, clears (0) to the T3F flag. When the T3F flag is "0," executes the next instruction. When V20 = 1 : This instruction is equivalent to the NOP instruction.							

## MACHINE INSTRUCTIONS (INDEX BY ALPHABET) (continued)

### SNZT4 (Skip if Non Zero condition of Timer 4 interrupt request flag)

Instruction code	D9	D0										Number of words	Number of cycles	Flag CY	Skip condition		
	1	0	1	0	0	0	0	0	0	1	1	2	2	8	3	16	
													1	1	–	V21 = 0: (T4F) = 1	
<b>Operation:</b>	V21 = 0: (T4F) = 1 ? After skipping, (T4F) ← 0 V21 = 1: SNZT4 = NOP (V21 = bit 1 of interrupt control register V2)																
	<b>Grouping:</b> Timer operation																
	<b>Description:</b> When V21 = 0 : Skips the next instruction when timer 4 interrupt request flag T4F is "1." After skipping, clears (0) to the T4F flag. When the T4F flag is "0," executes the next instruction. When V21 = 1 : This instruction is equivalent to the NOP instruction.																

### SRST (System ReSeT)

Instruction code	D9	D0										Number of words	Number of cycles	Flag CY	Skip condition		
	0	0	0	0	0	0	0	0	0	0	1	2	0	0	1	16	
													1	1	–	–	
<b>Operation:</b>	System reset occurrence																
	<b>Grouping:</b> Other operation																
	<b>Description:</b> System reset occurs.																

### SST (Serial i/o transmission/reception Start)

Instruction code	D9	D0										Number of words	Number of cycles	Flag CY	Skip condition		
	1	0	1	0	0	1	1	1	1	1	0	2	2	9	E	16	
													1	1	–	–	
<b>Operation:</b>	(SIOF) ← 0 Serial I/O transmission/reception start																
	<b>Grouping:</b> Serial I/O operation																
	<b>Description:</b> Clears (0) to SIOF flag and starts serial I/O.																

### SZB j (Skip if Zero, Bit)

Instruction code	D9	D0										Number of words	Number of cycles	Flag CY	Skip condition	
	0	0	0	0	1	0	0	0	j	j	2	0	2	j	16	
													1	1	–	(Mj(DP)) = 0 j = 0 to 3
<b>Operation:</b>	(Mj(DP)) = 0 ? j = 0 to 3															
	<b>Grouping:</b> Bit operation															
	<b>Description:</b> Skips the next instruction when the contents of bit j (bit specified by the value j in the immediate field) of M(DP) is "0." Executes the next instruction when the contents of bit j of M(DP) is "1."															

## MACHINE INSTRUCTIONS (INDEX BY ALPHABET) (continued)

### SZC (Skip if Zero, Carry flag)

Instruction code	D9	D0	Number of words	Number of cycles	Flag CY	Skip condition													
	0	0	0	0	1	0	1	1	1	1	2	0	2	F	16	1	1	–	(CY) = 0
<b>Operation:</b>	(CY) = 0 ?										<b>Grouping:</b>	Arithmetic operation							
<b>Description:</b>	Skips the next instruction when the contents of carry flag CY is "0." After skipping, the CY flag remains unchanged. Executes the next instruction when the contents of the CY flag is "1."																		

### SZD (Skip if Zero, port D specified by register Y)

Instruction code	D9	D0	Number of words	Number of cycles	Flag CY	Skip condition													
	0	0	0	0	1	0	0	1	0	0	2	0	2	4	16	2	2	–	(D(Y)) = 0 (Y) = 0 to 7
	0	0	0	0	1	0	1	0	1	1	2	0	2	B	16				
<b>Operation:</b>	(D(Y)) = 0 ? (Y) = 0 to 7										<b>Grouping:</b>	Input/Output operation							
<b>Description:</b>	Skips the next instruction when a bit of port D specified by register Y is "0." Executes the next instruction when the bit is "1."																		

### T1AB (Transfer data to timer 1 and register R1 from Accumulator and register B)

Instruction code	D9	D0	Number of words	Number of cycles	Flag CY	Skip condition													
	1	0	0	0	1	1	0	0	0	0	2	2	3	0	16	1	1	–	–
<b>Operation:</b>	(T17–T14) ← (B) (R17–R14) ← (B) (T13–T10) ← (A) (R13–R10) ← (A)										<b>Grouping:</b>	Timer operation							
<b>Description:</b>	Transfers the contents of register B to the high-order 4 bits of timer 1 and timer 1 reload register R1. Transfers the contents of register A to the low-order 4 bits of timer 1 and timer 1 reload register R1.																		

### T2AB (Transfer data to timer 2 and register R2 from Accumulator and register B)

Instruction code	D9	D0	Number of words	Number of cycles	Flag CY	Skip condition													
	1	0	0	0	1	1	0	0	0	1	2	2	3	1	16	1	1	–	–
<b>Operation:</b>	(T27–T24) ← (B) (R27–R24) ← (B) (T23–T20) ← (A) (R23–R20) ← (A)										<b>Grouping:</b>	Timer operation							
<b>Description:</b>	Transfers the contents of register B to the high-order 4 bits of timer 2 and timer 2 reload register R2. Transfers the contents of register A to the low-order 4 bits of timer 2 and timer 2 reload register R2.																		

## MACHINE INSTRUCTIONS (INDEX BY ALPHABET) (continued)

### T3AB (Transfer data to timer 3 and register R3 from Accumulator and register B)

Instruction code	D9	D0										Number of words	Number of cycles	Flag CY	Skip condition				
	1	0	0	0	1	1	0	0	1	0	2	2	3	2	16	1	1	–	–
<b>Operation:</b>	(T37–T34) ← (B) (R37–R34) ← (B) (T33–T30) ← (A) (R33–R30) ← (A)																		
<b>Grouping:</b>	Timer operation																		
<b>Description:</b>	Transfers the contents of register B to the high-order 4 bits of timer 3 and timer 3 reload register R3. Transfers the contents of register A to the low-order 4 bits of timer 3 and timer 3 reload register R3.																		

### T4AB (Transfer data to timer 4 and register R4L from Accumulator and register B)

Instruction code	D9	D0										Number of words	Number of cycles	Flag CY	Skip condition				
	1	0	0	0	1	1	0	0	1	1	2	2	3	3	16	1	1	–	–
<b>Operation:</b>	(T47–T44) ← (B) (R4L7–R4L4) ← (B) (T43–T40) ← (A) (R4L3–R4L0) ← (A)																		
<b>Grouping:</b>	Timer operation																		
<b>Description:</b>	Transfers the contents of register B to the high-order 4 bits of timer 4 and timer 4 reload register R4L. Transfers the contents of register A to the low-order 4 bits of timer 4 and timer 4 reload register R4L.																		

### T4HAB (Transfer data to register R4H from Accumulator and register B)

Instruction code	D9	D0										Number of words	Number of cycles	Flag CY	Skip condition				
	1	0	0	0	1	1	0	1	1	1	2	2	3	7	16	1	1	–	–
<b>Operation:</b>	(R4H7–R4H4) ← (B) (R4H3–R4H0) ← (A)																		
<b>Grouping:</b>	Timer operation																		
<b>Description:</b>	Transfers the contents of register B to the high-order 4 bits of timer 4 and timer 4 reload register R4H. Transfers the contents of register A to the low-order 4 bits of timer 4 and timer 4 reload register R4H.																		

### T4R4L (Transfer data to timer 4 from register R4L)

Instruction code	D9	D0										Number of words	Number of cycles	Flag CY	Skip condition				
	1	0	1	0	0	1	0	1	1	1	2	2	9	7	16	1	1	–	–
<b>Operation:</b>	(T47–T44) ← (R4L7–R4L4) (T43–T40) ← (R4L3–R4L0)																		
<b>Grouping:</b>	Timer operation																		
<b>Description:</b>	Transfers the contents of reload register R4L to timer 4.																		

## MACHINE INSTRUCTIONS (INDEX BY ALPHABET) (continued)

### TAB (Transfer data to Accumulator from register B)

Instruction code	D9	D0	Number of words	Number of cycles	Flag CY	Skip condition													
	0	0	0	0	0	1	1	1	1	0	2	0	1	E	16	1	1	–	–
<b>Operation:</b>	(A) ← (B)											<b>Grouping:</b>	Register to register transfer	<b>Description:</b>	Transfers the contents of register B to register A.				

### TAB1 (Transfer data to Accumulator and register B from timer 1)

Instruction code	D9	D0	Number of words	Number of cycles	Flag CY	Skip condition													
	1	0	0	1	1	1	0	0	0	0	2	2	7	0	16	1	1	–	–
<b>Operation:</b>	(B) ← (T17–T14) (A) ← (T13–T10)											<b>Grouping:</b>	Timer operation	<b>Description:</b>	Transfers the high-order 4 bits (T17–T14) of timer 1 to register B. Transfers the low-order 4 bits (T13–T10) of timer 1 to register A.				

### TAB2 (Transfer data to Accumulator and register B from timer 2)

Instruction code	D9	D0	Number of words	Number of cycles	Flag CY	Skip condition													
	1	0	0	1	1	1	0	0	0	1	2	2	7	1	16	1	1	–	–
<b>Operation:</b>	(B) ← (T27–T24) (A) ← (T23–T20)											<b>Grouping:</b>	Timer operation	<b>Description:</b>	Transfers the high-order 4 bits (T27–T24) of timer 2 to register B. Transfers the low-order 4 bits (T23–T20) of timer 2 to register A.				

### TAB3 (Transfer data to Accumulator and register B from timer 3)

Instruction code	D9	D0	Number of words	Number of cycles	Flag CY	Skip condition													
	1	0	0	1	1	1	0	0	1	0	2	2	7	2	16	1	1	–	–
<b>Operation:</b>	(B) ← (T37–T34) (A) ← (T33–T30)											<b>Grouping:</b>	Timer operation	<b>Description:</b>	Transfers the high-order 4 bits (T37–T34) of timer 3 to register B. Transfers the low-order 4 bits (T33–T30) of timer 3 to register A.				

## MACHINE INSTRUCTIONS (INDEX BY ALPHABET) (continued)

**TAB4** (Transfer data to Accumulator and register B from timer 4)

Instruction code	D9	D0										Number of words	Number of cycles	Flag CY	Skip condition					
	1	0	0	1	1	1	0	0	1	1	2		2	7	3	16	1	1	-	-
<b>Operation:</b>	(B) ← (T47–T44)																			
	(A) ← (T43–T40)																			
<b>Grouping:</b>	Timer operation																			
<b>Description:</b>	Transfers the high-order 4 bits (T47–T44) of timer 4 to register B. Transfers the low-order 4 bits (T43–T40) of timer 4 to register A.																			

**TABAD** (Transfer data to Accumulator and register B from register AD)

Instruction code	D9	D0										Number of words	Number of cycles	Flag CY	Skip condition					
	1	0	0	1	1	1	1	0	0	1	2		2	7	9	16	1	1	-	-
<b>Operation:</b>	In A/D conversion mode (Q13 = 0), (B) ← (AD9–AD6) (A) ← (AD5–AD2)																			
	In comparator mode (Q13 = 1), (B) ← (AD7–AD4) (A) ← (AD3–AD0) (Q13 : bit 3 of A/D control register Q1)																			
<b>Grouping:</b>	A/D conversion operation																			
<b>Description:</b>	In the A/D conversion mode (Q13 = 0), transfers the high-order 4 bits (AD9–AD6) of register AD to register B, and the middle-order 4 bits (AD5–AD2) of register AD to register A. In the comparator mode (Q13 = 1), transfers the middle-order 4 bits (AD7–AD4) of register AD to register B, and the low-order 4 bits (AD3–AD0) of register AD to register A.																			

**TABE** (Transfer data to Accumulator and register B from register E)

Instruction code	D9	D0										Number of words	Number of cycles	Flag CY	Skip condition					
	0	0	0	0	1	0	1	0	1	0	2		0	2	A	16	1	1	-	-
<b>Operation:</b>	(B) ← (E7–E4)																			
	(A) ← (E3–E0)																			
<b>Grouping:</b>	Register to register transfer																			
<b>Description:</b>	Transfers the high-order 4 bits (E7–E4) of register E to register B, and low-order 4 bits of register E to register A.																			

**TABP p** (Transfer data to Accumulator and register B from Program memory in page p)

Instruction code	D9	D0										Number of words	Number of cycles	Flag CY	Skip condition					
	0	0	1	0	p <sub>5</sub>	p <sub>4</sub>	p <sub>3</sub>	p <sub>2</sub>	p <sub>1</sub>	p <sub>0</sub>	2		0	<sup>8</sup> <sub>+p</sub>	p	16	1	3	-	-
<b>Operation:</b>	(SP) ← (SP) + 1 (SK(SP)) ← (PC) (PCH) ← p (PCL) ← (DR2–DR0, A3–A0) (DR2) ← 0 (DR1, DR0) ← (ROM(PC)) <sub>9,8</sub> (B) ← (ROM(PC)) <sub>7–4</sub> (A) ← (ROM(PC)) <sub>3–0</sub> (PC) ← (SK(SP)) (SP) ← (SP) – 1																			
<b>Grouping:</b>	Arithmetic operation																			
<b>Description:</b>	Transfers bits 9 and 8 to register D, bits 7 to 4 to register B and bits 3 to 0 to register A. These bits 7 to 0 are the ROM pattern in address (DR2 DR1 DR0 A3 A2 A1 A0) <sub>2</sub> specified by registers A and D in page p.																			
<b>Note:</b>	p is 0 to 15 for M34518M2, and p is 0 to 31 for M34518M6, p is 0 to 47 for M34518M6, and p is 0 to 63 for M34518M8E8. When this instruction is executed, be careful not to over the stack because 1 stage of stack register is used.																			

## MACHINE INSTRUCTIONS (INDEX BY ALPHABET) (continued)

### TABPS (Transfer data to Accumulator and register B from PreScaler)

Instruction code	D9	D0				Number of words	Number of cycles	Flag CY	Skip condition										
	1	0	0	1	1	1	0	1	0	1	2	2	7	5	16	1	1	-	-
<b>Operation:</b>	(B) ← (TPS7–TPS4) (A) ← (TPS3–TPS0)										<b>Grouping:</b> Timer operation				<b>Description:</b> Transfers the high-order 4 bits (TPS7–TPS4) of prescaler to register B, and transfers the low-order 4 bits (TPS3–TPS0) of prescaler to register A.				

### TABSI (Transfer data to Accumulator and register B from register SI)

Instruction code	D9	D0				Number of words	Number of cycles	Flag CY	Skip condition											
	1	0	0	1	1	1	1	1	0	0	0	2	2	7	8	16	1	1	-	-
<b>Operation:</b>	(B) ← (SI7–SI4) (A) ← (SI3–SI0)										<b>Grouping:</b> Serial I/O operation				<b>Description:</b> Transfers the high-order 4 bits (SI7–SI4) of serial I/O register SI to register B, and transfers the low-order 4 bits (SI3–SI0) of serial I/O register SI to register A.					

### TAD (Transfer data to Accumulator from register D)

Instruction code	D9	D0				Number of words	Number of cycles	Flag CY	Skip condition											
	0	0	0	1	0	1	0	0	0	0	1	2	0	5	1	16	1	1	-	-
<b>Operation:</b>	(A2–A0) ← (DR2–DR0) (A3) ← 0										<b>Grouping:</b> Register to register transfer				<b>Description:</b> Transfers the contents of register D to the low-order 3 bits (A2–A0) of register A. <b>Note:</b> When this instruction is executed, “0” is stored to the bit 3 (A3) of register A.					

### TADAB (Transfer data to register AD from Accumulator from register B)

Instruction code	D9	D0				Number of words	Number of cycles	Flag CY	Skip condition										
	1	0	0	0	1	1	1	0	0	1	2	2	3	9	16	1	1	-	-
<b>Operation:</b>	(AD7–AD4) ← (B) (AD3–AD0) ← (A)										<b>Grouping:</b> A/D conversion operation				<b>Description:</b> In the A/D conversion mode (Q13 = 0), this instruction is equivalent to the NOP instruction. In the comparator mode (Q13 = 1), transfers the contents of register B to the high-order 4 bits (AD7–AD4) of comparator register, and the contents of register A to the low-order 4 bits (AD3–AD0) of comparator register. (Q13 = bit 3 of A/D control register Q1)				

## MACHINE INSTRUCTIONS (INDEX BY ALPHABET) (continued)

### TAI1 (Transfer data to Accumulator from register I1)

Instruction code	D9	D0	Number of words	Number of cycles	Flag CY	Skip condition
	1	0 0 1 0 1 0 0 1 1	1	1	–	–
<b>Operation:</b>	(A) ← (I1)		<b>Grouping:</b> Interrupt operation			
			<b>Description:</b> Transfers the contents of interrupt control register I1 to register A.			

### TAI2 (Transfer data to Accumulator from register I2)

Instruction code	D9	D0	Number of words	Number of cycles	Flag CY	Skip condition
	1	0 0 1 0 1 0 1 0 0	1	1	–	–
<b>Operation:</b>	(A) ← (I2)		<b>Grouping:</b> Interrupt operation			
			<b>Description:</b> Transfers the contents of interrupt control register I2 to register A.			

### TAJ1 (Transfer data to Accumulator from register J1)

Instruction code	D9	D0	Number of words	Number of cycles	Flag CY	Skip condition
	1	0 0 1 0 0 0 0 1 0	1	1	–	–
<b>Operation:</b>	(A) ← (J1)		<b>Grouping:</b> Serial I/O operation			
			<b>Description:</b> Transfers the contents of serial I/O control register J1 to register A.			

### TAK0 (Transfer data to Accumulator from register K0)

Instruction code	D9	D0	Number of words	Number of cycles	Flag CY	Skip condition
	1	0 0 1 0 1 0 1 1 0	1	1	–	–
<b>Operation:</b>	(A) ← (K0)		<b>Grouping:</b> Input/Output operation			
			<b>Description:</b> Transfers the contents of key-on wakeup control register K0 to register A.			



## MACHINE INSTRUCTIONS (INDEX BY ALPHABET) (continued)

### TAK1 (Transfer data to Accumulator from register K1)

Instruction code	D9	D0	Number of words	Number of cycles	Flag CY	Skip condition
	1	0 0 1 0 1 1 0 0 1	1	1	–	–
<b>Operation:</b>	(A) ← (K1)		<b>Grouping:</b>	Input/Output operation		
			<b>Description:</b>	Transfers the contents of key-on wakeup control register K1 to register A.		

### TAK2 (Transfer data to Accumulator from register K2)

Instruction code	D9	D0	Number of words	Number of cycles	Flag CY	Skip condition
	1	0 0 1 0 1 1 0 1 0	1	1	–	–
<b>Operation:</b>	(A) ← (K2)		<b>Grouping:</b>	Input/Output operation		
			<b>Description:</b>	Transfers the contents of key-on wakeup control register K2 to register A.		

### TALA (Transfer data to Accumulator from register LA)

Instruction code	D9	D0	Number of words	Number of cycles	Flag CY	Skip condition
	1	0 0 1 0 0 1 0 0 1	1	1	–	–
<b>Operation:</b>	(A3, A2) ← (AD1, AD0) (A1, A0) ← 0		<b>Grouping:</b>	A/D conversion operation		
			<b>Description:</b>	Transfers the low-order 2 bits (AD1, AD0) of register AD to the high-order 2 bits (A3, A2) of register A.		
			<b>Note:</b>	After this instruction is executed, "0" is stored to the low-order 2 bits (A1, A0) of register A.		

### TAM j (Transfer data to Accumulator from Memory)

Instruction code	D9	D0	Number of words	Number of cycles	Flag CY	Skip condition
	1	0 1 1 0 0 j j j j	1	1	–	–
<b>Operation:</b>	(A) ← (M(DP)) (X) ← (X)EXOR(j) j = 0 to 15		<b>Grouping:</b>	RAM to register transfer		
			<b>Description:</b>	After transferring the contents of M(DP) to register A, an exclusive OR operation is performed between register X and the value j in the immediate field, and stores the result in register X.		

## MACHINE INSTRUCTIONS (INDEX BY ALPHABET) (continued)

### TAMR (Transfer data to Accumulator from register MR)

Instruction code	D9	D0	Number of words	Number of cycles	Flag CY	Skip condition
	1	0 0 1 0 1 0 0 1 0	1	1	–	–
<b>Operation:</b>	(A) ← (MR)		<b>Grouping:</b>	Clock operation		
			<b>Description:</b>	Transfers the contents of clock control register MR to register A.		

### TAPU0 (Transfer data to Accumulator from register PU0)

Instruction code	D9	D0	Number of words	Number of cycles	Flag CY	Skip condition
	1	0 0 1 0 1 0 1 1 1	1	1	–	–
<b>Operation:</b>	(A) ← (PU0)		<b>Grouping:</b>	Input/Output operation		
			<b>Description:</b>	Transfers the contents of pull-up control register PU0 to register A.		

### TAPU1 (Transfer data to Accumulator from register PU1)

Instruction code	D9	D0	Number of words	Number of cycles	Flag CY	Skip condition
	1	0 0 1 0 1 1 1 1 0	1	1	–	–
<b>Operation:</b>	(A) ← (PU1)		<b>Grouping:</b>	Input/Output operation		
			<b>Description:</b>	Transfers the contents of pull-up control register PU1 to register A.		

### TAQ1 (Transfer data to Accumulator from register Q1)

Instruction code	D9	D0	Number of words	Number of cycles	Flag CY	Skip condition
	1	0 0 1 0 0 0 1 0 0	1	1	–	–
<b>Operation:</b>	(A) ← (Q1)		<b>Grouping:</b>	A/D conversion operation		
			<b>Description:</b>	Transfers the contents of A/D control register Q1 to register A.		

## MACHINE INSTRUCTIONS (INDEX BY ALPHABET) (continued)

### TAQ2 (Transfer data to Accumulator from register Q2)

Instruction code	D9	D0	Number of words	Number of cycles	Flag CY	Skip condition
	1	0 0 1 0 0 0 1 0 1	1	1	–	–
<b>Operation:</b>	(A) ← (Q2)		<b>Grouping:</b>	A/D conversion operation		
			<b>Description:</b>	Transfers the contents of A/D control register Q2 to register A.		

### TAQ3 (Transfer data to Accumulator from register Q3)

Instruction code	D9	D0	Number of words	Number of cycles	Flag CY	Skip condition
	1	0 0 1 0 0 0 1 1 0	1	1	–	–
<b>Operation:</b>	(A) ← (Q3)		<b>Grouping:</b>	A/D conversion operation		
			<b>Description:</b>	Transfers the contents of A/D control register Q3 to register A.		

### TASP (Transfer data to Accumulator from Stack Pointer)

Instruction code	D9	D0	Number of words	Number of cycles	Flag CY	Skip condition
	0	0 0 1 0 1 0 0 0 0	1	1	–	–
<b>Operation:</b>	(A <sub>2</sub> –A <sub>0</sub> ) ← (SP <sub>2</sub> –SP <sub>0</sub> ) (A <sub>3</sub> ) ← 0		<b>Grouping:</b>	Register to register transfer		
			<b>Description:</b>	Transfers the contents of stack pointer (SP) to the low-order 3 bits (A <sub>2</sub> –A <sub>0</sub> ) of register A.		
			<b>Note:</b>	After this instruction is executed, “0” is stored to the bit 3 (A <sub>3</sub> ) of register A.		

### TAV1 (Transfer data to Accumulator from register V1)

Instruction code	D9	D0	Number of words	Number of cycles	Flag CY	Skip condition
	0	0 0 1 0 1 0 1 0 0	1	1	–	–
<b>Operation:</b>	(A) ← (V1)		<b>Grouping:</b>	Interrupt operation		
			<b>Description:</b>	Transfers the contents of interrupt control register V1 to register A.		

## MACHINE INSTRUCTIONS (INDEX BY ALPHABET) (continued)

### TAV2 (Transfer data to Accumulator from register V2)

Instruction code	D9	D0	Number of words	Number of cycles	Flag CY	Skip condition
	0	0 0 1 0 1 0 1 0 1	1	1	–	–
<b>Operation:</b>	(A) ← (V2)		<b>Grouping:</b>	Interrupt operation		
			<b>Description:</b>	Transfers the contents of interrupt control register V2 to register A.		

### TAW1 (Transfer data to Accumulator from register W1)

Instruction code	D9	D0	Number of words	Number of cycles	Flag CY	Skip condition
	1	0 0 1 0 0 1 0 1 1	1	1	–	–
<b>Operation:</b>	(A) ← (W1)		<b>Grouping:</b>	Timer operation		
			<b>Description:</b>	Transfers the contents of timer control register W1 to register A.		

### TAW2 (Transfer data to Accumulator from register W2)

Instruction code	D9	D0	Number of words	Number of cycles	Flag CY	Skip condition
	1	0 0 1 0 0 1 1 0 0	1	1	–	–
<b>Operation:</b>	(A) ← (W2)		<b>Grouping:</b>	Timer operation		
			<b>Description:</b>	Transfers the contents of timer control register W2 to register A.		

### TAW3 (Transfer data to Accumulator from register W3)

Instruction code	D9	D0	Number of words	Number of cycles	Flag CY	Skip condition
	1	0 0 1 0 0 1 1 0 1	1	1	–	–
<b>Operation:</b>	(A) ← (W3)		<b>Grouping:</b>	Timer operation		
			<b>Description:</b>	Transfers the contents of timer control register W3 to register A.		

## MACHINE INSTRUCTIONS (INDEX BY ALPHABET) (continued)

<b>TAW4</b> (Transfer data to Accumulator from register W4)					Number of words	Number of cycles	Flag CY	Skip condition											
Instruction code	D9	D0																	
	1	0	0	1	0	0	1	1	1	0	2	2	4	E	16	1	1	–	–
<b>Operation:</b> (A) ← (W4)					<b>Grouping:</b> Timer operation					<b>Description:</b> Transfers the contents of timer control register W4 to register A.									
<b>TAW5</b> (Transfer data to Accumulator from register W5)					Number of words	Number of cycles	Flag CY	Skip condition											
Instruction code	D9	D0																	
	1	0	0	1	0	0	1	1	1	1	2	2	4	F	16	1	1	–	–
<b>Operation:</b> (A) ← (W5)					<b>Grouping:</b> Timer operation					<b>Description:</b> Transfers the contents of timer control register W5 to register A.									
<b>TAW6</b> (Transfer data to Accumulator from register W6)					Number of words	Number of cycles	Flag CY	Skip condition											
Instruction code	D9	D0																	
	1	0	0	1	0	1	0	0	0	0	2	2	5	0	16	1	1	–	–
<b>Operation:</b> (A) ← (W6)					<b>Grouping:</b> Timer operation					<b>Description:</b> Transfers the contents of timer control register W6 to register A.									
<b>TAX</b> (Transfer data to Accumulator from register X)					Number of words	Number of cycles	Flag CY	Skip condition											
Instruction code	D9	D0																	
	0	0	0	1	0	1	0	0	1	0	2	0	5	2	16	1	1	–	–
<b>Operation:</b> (A) ← (X)					<b>Grouping:</b> Register to register transfer					<b>Description:</b> Transfers the contents of register X to register A.									

## MACHINE INSTRUCTIONS (INDEX BY ALPHABET) (continued)

### TAY (Transfer data to Accumulator from register Y)

Instruction code	D9	D0										Number of words	Number of cycles	Flag CY	Skip condition					
	0	0	0	0	0	1	1	1	1	1	1	2	0	1	F	16	1	1	–	–
<b>Operation:</b>	(A) ← (Y)											<b>Grouping:</b> Register to register transfer								
												<b>Description:</b> Transfers the contents of register Y to register A.								

### TAZ (Transfer data to Accumulator from register Z)

Instruction code	D9	D0										Number of words	Number of cycles	Flag CY	Skip condition					
	0	0	0	1	0	1	0	0	1	1	1	2	0	5	3	16	1	1	–	–
<b>Operation:</b>	(A1, A0) ← (Z1, Z0) (A3, A2) ← 0											<b>Grouping:</b> Register to register transfer								
												<b>Description:</b> Transfers the contents of register Z to the low-order 2 bits (A1, A0) of register A.								
												<b>Note:</b> After this instruction is executed, "0" is stored to the high-order 2 bits (A3, A2) of register A.								

### TBA (Transfer data to register B from Accumulator)

Instruction code	D9	D0										Number of words	Number of cycles	Flag CY	Skip condition					
	0	0	0	0	0	0	1	1	1	1	0	2	0	0	E	16	1	1	–	–
<b>Operation:</b>	(B) ← (A)											<b>Grouping:</b> Register to register transfer								
												<b>Description:</b> Transfers the contents of register A to register B.								

### TDA (Transfer data to register D from Accumulator)

Instruction code	D9	D0										Number of words	Number of cycles	Flag CY	Skip condition					
	0	0	0	0	1	0	1	0	0	1	1	2	0	2	9	16	1	1	–	–
<b>Operation:</b>	(DR2–DR0) ← (A2–A0)											<b>Grouping:</b> Register to register transfer								
												<b>Description:</b> Transfers the contents of the low-order 3 bits (A2–A0) of register A to register D.								

## MACHINE INSTRUCTIONS (INDEX BY ALPHABET) (continued)

<b>TEAB</b> (Transfer data to register E from Accumulator and register B)																			
Instruction code	D9	D0				Number of words	Number of cycles	Flag CY	Skip condition										
	0	0	0	0	0	1	1	0	1	0	2	0	1	A	16	1	1	–	–
<b>Operation:</b>	(E7–E4) ← (B) (E3–E0) ← (A)										<b>Grouping:</b>	Register to register transfer							
											<b>Description:</b>	Transfers the contents of register B to the high-order 4 bits (E7–E4) of register E, and the contents of register A to the low-order 4 bits (E3–E0) of register E.							
<b>TFR0A</b> (Transfer data to register FR0 from Accumulator)																			
Instruction code	D9	D0				Number of words	Number of cycles	Flag CY	Skip condition										
	1	0	0	0	1	0	1	0	0	0	2	2	2	8	16	1	1	–	–
<b>Operation:</b>	(FR0) ← (A)										<b>Grouping:</b>	Input/Output operation							
											<b>Description:</b>	Transfers the contents of register A to the port output structure control register FR0.							
<b>TFR1A</b> (Transfer data to register FR1 from Accumulator)																			
Instruction code	D9	D0				Number of words	Number of cycles	Flag CY	Skip condition										
	1	0	0	0	1	0	1	0	0	1	2	2	2	9	16	1	1	–	–
<b>Operation:</b>	(FR1) ← (A)										<b>Grouping:</b>	Input/Output operation							
											<b>Description:</b>	Transfers the contents of register A to the port output structure control register FR1.							
<b>TFR2A</b> (Transfer data to register FR2 from Accumulator)																			
Instruction code	D9	D0				Number of words	Number of cycles	Flag CY	Skip condition										
	1	0	0	0	1	0	1	0	1	0	2	2	2	A	16	1	1	–	–
<b>Operation:</b>	(FR2) ← (A)										<b>Grouping:</b>	Input/Output operation							
											<b>Description:</b>	Transfers the contents of register A to the port output structure control register FR2.							

## MACHINE INSTRUCTIONS (INDEX BY ALPHABET) (continued)

### TI1A (Transfer data to register I1 from Accumulator)

Instruction code	D9	D0	Number of words	Number of cycles	Flag CY	Skip condition													
	1	0	0	0	0	1	0	1	1	1	2	2	1	7	16	1	1	–	–
<b>Operation:</b>	(I1) ← (A)										<b>Grouping:</b>	Interrupt operation							
<b>Description:</b>	Transfers the contents of register A to interrupt control register I1.																		

### TI2A (Transfer data to register I2 from Accumulator)

Instruction code	D9	D0	Number of words	Number of cycles	Flag CY	Skip condition													
	1	0	0	0	0	1	1	0	0	0	2	2	1	8	16	1	1	–	–
<b>Operation:</b>	(I2) ← (A)										<b>Grouping:</b>	Interrupt operation							
<b>Description:</b>	Transfers the contents of register A to interrupt control register I2.																		

### TJ1A (Transfer data to register J1 from Accumulator)

Instruction code	D9	D0	Number of words	Number of cycles	Flag CY	Skip condition													
	1	0	0	0	0	0	0	0	1	0	2	2	0	2	16	1	1	–	–
<b>Operation:</b>	(J1) ← (A)										<b>Grouping:</b>	Serial I/O operation							
<b>Description:</b>	Transfers the contents of register A to serial I/O control register J1.																		

### TK0A (Transfer data to register K0 from Accumulator)

Instruction code	D9	D0	Number of words	Number of cycles	Flag CY	Skip condition													
	1	0	0	0	0	1	1	0	1	1	2	2	1	B	16	1	1	–	–
<b>Operation:</b>	(K0) ← (A)										<b>Grouping:</b>	Input/Output operation							
<b>Description:</b>	Transfers the contents of register A to key-on wakeup control register K0.																		



## MACHINE INSTRUCTIONS (INDEX BY ALPHABET) (continued)

<b>TK1A</b> (Transfer data to register K1 from Accumulator)																			
Instruction code	D9	D0				Number of words	Number of cycles	Flag CY	Skip condition										
	1	0	0	0	0	1	0	1	0	0	2	2	1	4	16	1	1	–	–
<b>Operation:</b>	(K1) ← (A)										<b>Grouping:</b>	Input/Output operation							
											<b>Description:</b>	Transfers the contents of register A to key-on wakeup control register K1.							
<b>TK2A</b> (Transfer data to register K2 from Accumulator)																			
Instruction code	D9	D0				Number of words	Number of cycles	Flag CY	Skip condition										
	1	0	0	0	0	1	0	1	0	1	2	2	1	5	16	1	1	–	–
<b>Operation:</b>	(K2) ← (A)										<b>Grouping:</b>	Input/Output operation							
											<b>Description:</b>	Transfers the contents of register A to key-on wakeup control register K2.							
<b>TMA j</b> (Transfer data to Memory from Accumulator)																			
Instruction code	D9	D0				Number of words	Number of cycles	Flag CY	Skip condition										
	1	0	1	0	1	1	j	j	j	j	2	2	B	j	16	1	1	–	–
<b>Operation:</b>	(M(DP)) ← (A) (X) ← (X)EXOR(j) j = 0 to 15										<b>Grouping:</b>	RAM to register transfer							
											<b>Description:</b>	After transferring the contents of register A to M(DP), an exclusive OR operation is performed between register X and the value j in the immediate field, and stores the result in register X.							
<b>TMRA</b> (Transfer data to register MR from Accumulator)																			
Instruction code	D9	D0				Number of words	Number of cycles	Flag CY	Skip condition										
	1	0	0	0	0	1	0	1	1	0	2	2	1	6	16	1	1	–	–
<b>Operation:</b>	(MR) ← (A)										<b>Grouping:</b>	Other operation							
											<b>Description:</b>	Transfers the contents of register A to clock control register MR.							

## MACHINE INSTRUCTIONS (INDEX BY ALPHABET) (continued)

### TPAA (Transfer data to register PA from Accumulator)

Instruction code	D9	D0	Number of words	Number of cycles	Flag CY	Skip condition				
	1	0 1 0 1 0 1 0 1 0 1 0	2	2	A	A	1	1	-	-
<b>Operation:</b>	(PA0) ← (A0)						<b>Grouping:</b>	Timer operation		
							<b>Description:</b>	Transfers the contents of lowermost bit (A0) register A to timer control register PA.		

### TPSAB (Transfer data to Pre-Scaler from Accumulator and register B)

Instruction code	D9	D0	Number of words	Number of cycles	Flag CY	Skip condition				
	1	0 0 0 0 1 1 0 1 0 1 1	2	2	3	5	1	1	-	-
<b>Operation:</b>	(RPS7–RPS4) ← (B) (TPS7–TPS4) ← (B) (RPS3–RPS0) ← (A) (TPS3–TPS0) ← (A)						<b>Grouping:</b>	Timer operation		
							<b>Description:</b>	Transfers the contents of register B to the high-order 4 bits of prescaler and prescaler reload register RPS, and transfers the contents of register A to the low-order 4 bits of prescaler and prescaler reload register RPS.		

### TPOA (Transfer data to register PU0 from Accumulator)

Instruction code	D9	D0	Number of words	Number of cycles	Flag CY	Skip condition				
	1	0 0 0 0 1 0 1 1 0 1 1	2	2	2	D	1	1	-	-
<b>Operation:</b>	(PU0) ← (A)						<b>Grouping:</b>	Input/Output operation		
							<b>Description:</b>	Transfers the contents of register A to pull-up control register PU0.		

### TPIA (Transfer data to register PU1 from Accumulator)

Instruction code	D9	D0	Number of words	Number of cycles	Flag CY	Skip condition				
	1	0 0 0 0 1 0 1 1 1 1 0	2	2	2	E	1	1	-	-
<b>Operation:</b>	(PU1) ← (A)						<b>Grouping:</b>	Input/Output operation		
							<b>Description:</b>	Transfers the contents of register A to pull-up control register PU1.		

## MACHINE INSTRUCTIONS (INDEX BY ALPHABET) (continued)

### TQ1A (Transfer data to register Q1 from Accumulator)

Instruction code	D9	D0	Number of words	Number of cycles	Flag CY	Skip condition
	1	0 0 0 0 0 0 1 0 0	1	1	–	–
<b>Operation:</b>	(Q1) ← (A)		<b>Grouping:</b>	A/D conversion operation		
			<b>Description:</b>	Transfers the contents of register A to A/D control register Q1.		

### TQ2A (Transfer data to register Q2 from Accumulator)

Instruction code	D9	D0	Number of words	Number of cycles	Flag CY	Skip condition
	1	0 0 0 0 0 0 1 0 1	1	1	–	–
<b>Operation:</b>	(Q2) ← (A)		<b>Grouping:</b>	A/D conversion operation		
			<b>Description:</b>	Transfers the contents of register A to A/D control register Q2.		

### TQ3A (Transfer data to register Q3 from Accumulator)

Instruction code	D9	D0	Number of words	Number of cycles	Flag CY	Skip condition
	1	0 0 0 0 0 0 1 1 0	1	1	–	–
<b>Operation:</b>	(Q3) ← (A)		<b>Grouping:</b>	A/D conversion operation		
			<b>Description:</b>	Transfers the contents of register A to A/D control register Q3.		

### TR1AB (Transfer data to register R1 from Accumulator and register B)

Instruction code	D9	D0	Number of words	Number of cycles	Flag CY	Skip condition
	1	0 0 0 1 1 1 1 1 1	1	1	–	–
<b>Operation:</b>	(R17–R14) ← (B) (R13–R10) ← (A)		<b>Grouping:</b>	Timer operation		
			<b>Description:</b>	Transfers the contents of register B to the high-order 4 bits (R17–R14) of reload register R1, and the contents of register A to the low-order 4 bits (R13–R10) of reload register R1.		

## MACHINE INSTRUCTIONS (INDEX BY ALPHABET) (continued)

### TR3AB (Transfer data to register R3 from Accumulator and register B)

Instruction code	D9	D8	D7	D6	D5	D4	D3	D2	D1	D0	Number of words	Number of cycles	Flag CY	Skip condition				
	1	0	0	0	1	1	1	0	1	1	2	3	B	16				
<b>Operation:</b>	(R37–R34) ← (B) (R33–R30) ← (A)										<b>Number of words</b>	1	<b>Number of cycles</b>	1	<b>Flag CY</b>	–	<b>Skip condition</b>	–
											<b>Grouping:</b>	Timer operation						
											<b>Description:</b>	Transfers the contents of register B to the high-order 4 bits (R37–R34) of reload register R3, and the contents of register A to the low-order 4 bits (R33–R30) of reload register R3.						

### TRGA (Transfer data to register RG from Accumulator)

Instruction code	D9	D8	D7	D6	D5	D4	D3	D2	D1	D0	Number of words	Number of cycles	Flag CY	Skip condition				
	1	0	0	0	0	0	1	0	0	1	2	0	9	16				
<b>Operation:</b>	(RG0) ← (A0)										<b>Number of words</b>	1	<b>Number of cycles</b>	1	<b>Flag CY</b>	–	<b>Skip condition</b>	–
											<b>Grouping:</b>	Clock control operation						
											<b>Description:</b>	Transfers the contents of register A to register RG.						

### TSIAB (Transfer data to register SI from Accumulator and register B)

Instruction code	D9	D8	D7	D6	D5	D4	D3	D2	D1	D0	Number of words	Number of cycles	Flag CY	Skip condition				
	1	0	0	0	1	1	1	0	0	0	2	3	8	16				
<b>Operation:</b>	(SI7–SI4) ← (B) (SI3–SI0) ← (A)										<b>Number of words</b>	1	<b>Number of cycles</b>	1	<b>Flag CY</b>	–	<b>Skip condition</b>	–
											<b>Grouping:</b>	Serial I/O operation						
											<b>Description:</b>	Transfers the contents of register B to the high-order 4 bits (SI7–SI4) of serial I/O register SI, and transfers the contents of register A to the low-order 4 bits (SI3–SI0) of serial I/O register SI.						

### TV1A (Transfer data to register V1 from Accumulator)

Instruction code	D9	D8	D7	D6	D5	D4	D3	D2	D1	D0	Number of words	Number of cycles	Flag CY	Skip condition				
	0	0	0	0	1	1	1	1	1	1	2	0	3	F	16			
<b>Operation:</b>	(V1) ← (A)										<b>Number of words</b>	1	<b>Number of cycles</b>	1	<b>Flag CY</b>	–	<b>Skip condition</b>	–
											<b>Grouping:</b>	Interrupt operation						
											<b>Description:</b>	Transfers the contents of register A to interrupt control register V1.						

## MACHINE INSTRUCTIONS (INDEX BY ALPHABET) (continued)

### TV2A (Transfer data to register V2 from Accumulator)

Instruction code	D9	D0	Number of words	Number of cycles	Flag CY	Skip condition
	0	0 0 0 0 1 1 1 1 1 0	1	1	–	–
<b>Operation:</b>	(V2) ← (A)		<b>Grouping:</b> Interrupt operation			
			<b>Description:</b> Transfers the contents of register A to interrupt control register V2.			

### TW1A (Transfer data to register W1 from Accumulator)

Instruction code	D9	D0	Number of words	Number of cycles	Flag CY	Skip condition
	1	0 0 0 0 0 0 1 1 1 0	1	1	–	–
<b>Operation:</b>	(W1) ← (A)		<b>Grouping:</b> Timer operation			
			<b>Description:</b> Transfers the contents of register A to timer control register W1.			

### TW2A (Transfer data to register W2 from Accumulator)

Instruction code	D9	D0	Number of words	Number of cycles	Flag CY	Skip condition
	1	0 0 0 0 0 0 1 1 1 1	1	1	–	–
<b>Operation:</b>	(W2) ← (A)		<b>Grouping:</b> Timer operation			
			<b>Description:</b> Transfers the contents of register A to timer control register W2.			

### TW3A (Transfer data to register W3 from Accumulator)

Instruction code	D9	D0	Number of words	Number of cycles	Flag CY	Skip condition
	1	0 0 0 0 0 1 0 0 0 0	1	1	–	–
<b>Operation:</b>	(W3) ← (A)		<b>Grouping:</b> Timer operation			
			<b>Description:</b> Transfers the contents of register A to timer control register W3.			

## MACHINE INSTRUCTIONS (INDEX BY ALPHABET) (continued)

<b>TW4A (Transfer data to register W4 from Accumulator)</b>																			
Instruction code	D9	D0				Number of words	Number of cycles	Flag CY	Skip condition										
	1	0	0	0	0	1	0	0	0	1	2	2	1	1	16	1	1	-	-
<b>Operation:</b>	(W4) ← (A)										<b>Grouping:</b>	Timer operation							
											<b>Description:</b>	Transfers the contents of register A to timer control register W4.							
<b>TW5A (Transfer data to register W5 from Accumulator)</b>																			
Instruction code	D9	D0				Number of words	Number of cycles	Flag CY	Skip condition										
	1	0	0	0	0	1	0	0	1	0	2	2	1	2	16	1	1	-	-
<b>Operation:</b>	(W5) ← (A)										<b>Grouping:</b>	Timer operation							
											<b>Description:</b>	Transfers the contents of register A to timer control register W5.							
<b>TW6A (Transfer data to register W6 from Accumulator)</b>																			
Instruction code	D9	D0				Number of words	Number of cycles	Flag CY	Skip condition										
	1	0	0	0	0	1	0	0	1	1	2	2	1	3	16	1	1	-	-
<b>Operation:</b>	(W6) ← (A)										<b>Grouping:</b>	Timer operation							
											<b>Description:</b>	Transfers the contents of register A to timer control register W6.							
<b>TYA (Transfer data to register Y from Accumulator)</b>																			
Instruction code	D9	D0				Number of words	Number of cycles	Flag CY	Skip condition										
	0	0	0	0	0	0	1	1	0	0	2	0	0	C	16	1	1	-	-
<b>Operation:</b>	(Y) ← (A)										<b>Grouping:</b>	Register to register transfer							
											<b>Description:</b>	Transfers the contents of register A to register Y.							

## MACHINE INSTRUCTIONS (INDEX BY ALPHABET) (continued)

WRST (Watchdog timer ReSeT)																		
Instruction code	D9	D0				Number of words	Number of cycles	Flag CY	Skip condition									
	1	0	1	0	1	0	0	0	0	0	2	A	0	16	1	1	–	(WDF1) = 1
<b>Operation:</b>	(WDF1) = 1 ? After skipping, (WDF1) ← 0				<b>Grouping:</b>	Other operation				<b>Description:</b>	Skips the next instruction when watchdog timer flag WDF1 is "1." After skipping, clears (0) to the WDF1 flag. When the WDF1 flag is "0," executes the next instruction. Also, stops the watchdog timer function when executing the WRST instruction immediately after the DWDT instruction.							
XAM j (eXchange Accumulator and Memory data)																		
Instruction code	D9	D0				Number of words	Number of cycles	Flag CY	Skip condition									
	1	0	1	1	0	1	j	j	j	j	2	D	j	16	1	1	–	–
<b>Operation:</b>	(A) ↔ (M(DP)) (X) ← (X)EXOR(j) j = 0 to 15				<b>Grouping:</b>	RAM to register transfer				<b>Description:</b>	After exchanging the contents of M(DP) with the contents of register A, an exclusive OR operation is performed between register X and the value j in the immediate field, and stores the result in register X.							
XAMD j (eXchange Accumulator and Memory data and Decrement register Y and skip)																		
Instruction code	D9	D0				Number of words	Number of cycles	Flag CY	Skip condition									
	1	0	1	1	1	1	j	j	j	j	2	F	j	16	1	1	–	(Y) = 15
<b>Operation:</b>	(A) ↔ (M(DP)) (X) ← (X)EXOR(j) j = 0 to 15 (Y) ← (Y) – 1				<b>Grouping:</b>	RAM to register transfer				<b>Description:</b>	After exchanging the contents of M(DP) with the contents of register A, an exclusive OR operation is performed between register X and the value j in the immediate field, and stores the result in register X. Subtracts 1 from the contents of register Y. As a result of subtraction, when the contents of register Y is 15, the next instruction is skipped. When the contents of register Y is not 15, the next instruction is executed.							
XAMI j (eXchange Accumulator and Memory data and Increment register Y and skip)																		
Instruction code	D9	D0				Number of words	Number of cycles	Flag CY	Skip condition									
	1	0	1	1	1	0	j	j	j	j	2	E	j	16	1	1	–	(Y) = 0
<b>Operation:</b>	(A) ↔ (M(DP)) (X) ← (X)EXOR(j) j = 0 to 15 (Y) ← (Y) + 1				<b>Grouping:</b>	RAM to register transfer				<b>Description:</b>	After exchanging the contents of M(DP) with the contents of register A, an exclusive OR operation is performed between register X and the value j in the immediate field, and stores the result in register X. Adds 1 to the contents of register Y. As a result of addition, when the contents of register Y is 0, the next instruction is skipped. when the contents of register Y is not 0, the next instruction is executed.							

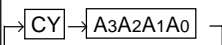
## MACHINE INSTRUCTIONS (INDEX BY TYPES)

Parameter Type of instructions	Mnemonic	Instruction code											Number of words	Number of cycles	Function		
		D9	D8	D7	D6	D5	D4	D3	D2	D1	D0	Hexadecimal notation					
Register to register transfer	TAB	0	0	0	0	0	1	1	1	1	0	0	1	E	1	1	(A) ← (B)
	TBA	0	0	0	0	0	0	1	1	1	0	0	0	E	1	1	(B) ← (A)
	TAY	0	0	0	0	0	1	1	1	1	1	0	1	F	1	1	(A) ← (Y)
	TYA	0	0	0	0	0	0	1	1	0	0	0	0	C	1	1	(Y) ← (A)
	TEAB	0	0	0	0	0	1	1	0	1	0	0	1	A	1	1	(E7–E4) ← (B) (E3–E0) ← (A)
	TABE	0	0	0	0	1	0	1	0	1	0	0	0	A	1	1	(B) ← (E7–E4) (A) ← (E3–E0)
	TDA	0	0	0	0	1	0	1	0	0	1	0	0	9	1	1	(DR2–DR0) ← (A2–A0)
	TAD	0	0	0	1	0	1	0	0	0	1	0	0	1	1	1	(A2–A0) ← (DR2–DR0) (A3) ← 0
	TAZ	0	0	0	1	0	1	0	0	1	1	0	0	3	1	1	(A1, A0) ← (Z1, Z0) (A3, A2) ← 0
	TAX	0	0	0	1	0	1	0	0	1	0	0	0	2	1	1	(A) ← (X)
	TASP	0	0	0	1	0	1	0	0	0	0	0	0	0	1	1	(A2–A0) ← (SP2–SP0) (A3) ← 0
RAM addresses	LXY x, y	1	1	x3	x2	x1	x0	y3	y2	y1	y0	0	0	3 x y	1	1	(X) ← x x = 0 to 15 (Y) ← y y = 0 to 15
	LZ z	0	0	0	1	0	0	1	0	z1	z0	0	0	0 4 8 +z	1	1	(Z) ← z z = 0 to 3
	INY	0	0	0	0	0	1	0	0	1	1	0	0	0 1 3	1	1	(Y) ← (Y) + 1
	DEY	0	0	0	0	0	1	0	1	1	1	0	0	0 1 7	1	1	(Y) ← (Y) – 1
RAM to register transfer	TAM j	1	0	1	1	0	0	j	j	j	j	0	0	2 C j	1	1	(A) ← (M(DP)) (X) ← (X)EXOR(j) j = 0 to 15
	XAM j	1	0	1	1	0	1	j	j	j	j	0	0	2 D j	1	1	(A) ← → (M(DP)) (X) ← (X)EXOR(j) j = 0 to 15
	XAMD j	1	0	1	1	1	1	j	j	j	j	0	0	2 F j	1	1	(A) ← → (M(DP)) (X) ← (X)EXOR(j) j = 0 to 15 (Y) ← (Y) – 1
	XAMI j	1	0	1	1	1	0	j	j	j	j	0	0	2 E j	1	1	(A) ← → (M(DP)) (X) ← (X)EXOR(j) j = 0 to 15 (Y) ← (Y) + 1
	TMA j	1	0	1	0	1	1	j	j	j	j	0	0	2 B j	1	1	(M(DP)) ← (A) (X) ← (X)EXOR(j) j = 0 to 15



Skip condition	Carry flag CY	Detailed description
-	-	Transfers the contents of register B to register A.
-	-	Transfers the contents of register A to register B.
-	-	Transfers the contents of register Y to register A.
-	-	Transfers the contents of register A to register Y.
-	-	Transfers the contents of register B to the high-order 4 bits (E7–E4) of register E, and the contents of register A to the low-order 4 bits (E3–E0) of register E.
-	-	Transfers the high-order 4 bits (E7–E4) of register E to register B, and low-order 4 bits (E3–E0) of register E to register A.
-	-	Transfers the contents of the low-order 3 bits (A2–A0) of register A to register D.
-	-	Transfers the contents of register D to the low-order 3 bits (A2–A0) of register A.
-	-	Transfers the contents of register Z to the low-order 2 bits (A1, A0) of register A.
-	-	Transfers the contents of register X to register A.
-	-	Transfers the contents of stack pointer (SP) to the low-order 3 bits (A2–A0) of register A.
Continuous description	-	Loads the value x in the immediate field to register X, and the value y in the immediate field to register Y. When the LXY instructions are continuously coded and executed, only the first LXY instruction is executed and other LXY instructions coded continuously are skipped.
-	-	Loads the value z in the immediate field to register Z.
(Y) = 0	-	Adds 1 to the contents of register Y. As a result of addition, when the contents of register Y is 0, the next instruction is skipped. When the contents of register Y is not 0, the next instruction is executed.
(Y) = 15	-	Subtracts 1 from the contents of register Y. As a result of subtraction, when the contents of register Y is 15, the next instruction is skipped. When the contents of register Y is not 15, the next instruction is executed.
-	-	After transferring the contents of M(DP) to register A, an exclusive OR operation is performed between register X and the value j in the immediate field, and stores the result in register X.
-	-	After exchanging the contents of M(DP) with the contents of register A, an exclusive OR operation is performed between register X and the value j in the immediate field, and stores the result in register X.
(Y) = 15	-	After exchanging the contents of M(DP) with the contents of register A, an exclusive OR operation is performed between register X and the value j in the immediate field, and stores the result in register X. Subtracts 1 from the contents of register Y. As a result of subtraction, when the contents of register Y is 15, the next instruction is skipped. When the contents of register Y is not 15, the next instruction is executed.
(Y) = 0	-	After exchanging the contents of M(DP) with the contents of register A, an exclusive OR operation is performed between register X and the value j in the immediate field, and stores the result in register X. Adds 1 to the contents of register Y. As a result of addition, when the contents of register Y is 0, the next instruction is skipped. When the contents of register Y is not 0, the next instruction is executed.
-	-	After transferring the contents of register A to M(DP), an exclusive OR operation is performed between register X and the value j in the immediate field, and stores the result in register X.

## MACHINE INSTRUCTIONS (INDEX BY TYPES) (continued)

Parameter Type of instructions	Mnemonic	Instruction code											Hexadecimal notation	Number of words	Number of cycles	Function
		D9	D8	D7	D6	D5	D4	D3	D2	D1	D0					
Arithmetic operation	LA n	0	0	0	1	1	1	n	n	n	n	0 7 n	1	1	(A) ← n n = 0 to 15	
	TABP p	0	0	1	0	p5	p4	p3	p2	p1	p0	0 8 p +p	1	3	(SP) ← (SP) + 1 (SK(SP)) ← (PC) (PCH) ← p (Note) (PCL) ← (DR2–DR0, A3–A0) (DR2) ← 0 (DR1, DR0) ← (ROM(PC)) <sub>9,8</sub> (B) ← (ROM(PC)) <sub>7–4</sub> (A) ← (ROM(PC)) <sub>3–0</sub> (SK(SP)) ← (PC) (SP) ← (SP) – 1	
	AM	0	0	0	0	0	0	1	0	1	0	0 0 A	1	1	(A) ← (A) + (M(DP))	
	AMC	0	0	0	0	0	0	1	0	1	1	0 0 B	1	1	(A) ← (A) + (M(DP)) + (CY) (CY) ← Carry	
	A n	0	0	0	1	1	0	n	n	n	n	0 6 n	1	1	(A) ← (A) + n n = 0 to 15	
	AND	0	0	0	0	0	1	1	0	0	0	0 1 8	1	1	(A) ← (A) AND (M(DP))	
	OR	0	0	0	0	0	1	1	0	0	1	0 1 9	1	1	(A) ← (A) OR (M(DP))	
	SC	0	0	0	0	0	0	0	1	1	1	0 0 7	1	1	(CY) ← 1	
	RC	0	0	0	0	0	0	0	1	1	0	0 0 6	1	1	(CY) ← 0	
	SZC	0	0	0	0	1	0	1	1	1	1	0 2 F	1	1	(CY) = 0 ?	
	CMA	0	0	0	0	0	1	1	1	0	0	0 1 C	1	1	(A) ← (A̅)	
	RAR	0	0	0	0	0	1	1	1	0	1	0 1 D	1	1		
Bit operation	SB j	0	0	0	1	0	1	1	1	j	j	0 5 C +j	1	1	(M <sub>j</sub> (DP)) ← 1 j = 0 to 3	
	RB j	0	0	0	1	0	0	1	1	j	j	0 4 C +j	1	1	(M <sub>j</sub> (DP)) ← 0 j = 0 to 3	
	SZB j	0	0	0	0	1	0	0	0	j	j	0 2 j	1	1	(M <sub>j</sub> (DP)) = 0 ? j = 0 to 3	
Comparison operation	SEAM	0	0	0	0	1	0	0	1	1	0	0 2 6	1	1	(A) = (M(DP)) ?	
	SEA n	0	0	0	0	1	0	0	1	0	1	0 2 5	2	2	(A) = n ? n = 0 to 15	
		0	0	0	1	1	1	n	n	n	n	0 7 n				

Note: p is 0 to 15 for M34518M2,  
p is 0 to 31 for M34518M4,  
p is 0 to 47 for M34518M6,  
p is 0 to 63 for M34518M8/E8.

Skip condition	Carry flag CY	Detailed description
Continuous description	–	Loads the value n in the immediate field to register A. When the LA instructions are continuously coded and executed, only the first LA instruction is executed and other LA instructions coded continuously are skipped.
–	–	Transfers bits 9 and 8 to register D, bits 7 to 4 to register B and bits 3 to 0 to register A. These bits 7 to 0 are the ROM pattern in address (DR2 DR1 DR0 A3 A2 A1 A0) <sub>2</sub> specified by registers A and D in page p. When this instruction is executed, be careful not to over the stack because 1 stage of stack register is used.
–	–	Adds the contents of M(DP) to register A. Stores the result in register A. The contents of carry flag CY remains unchanged.
–	0/1	Adds the contents of M(DP) and carry flag CY to register A. Stores the result in register A and carry flag CY.
Overflow = 0	–	Adds the value n in the immediate field to register A, and stores a result in register A. The contents of carry flag CY remains unchanged. Skips the next instruction when there is no overflow as the result of operation. Executes the next instruction when there is overflow as the result of operation.
–	–	Takes the AND operation between the contents of register A and the contents of M(DP), and stores the result in register A.
–	–	Takes the OR operation between the contents of register A and the contents of M(DP), and stores the result in register A.
–	1	Sets (1) to carry flag CY.
–	0	Clears (0) to carry flag CY.
(CY) = 0	–	Skips the next instruction when the contents of carry flag CY is "0."
–	–	Stores the one's complement for register A's contents in register A.
–	0/1	Rotates 1 bit of the contents of register A including the contents of carry flag CY to the right.
–	–	Sets (1) the contents of bit j (bit specified by the value j in the immediate field) of M(DP).
–	–	Clears (0) the contents of bit j (bit specified by the value j in the immediate field) of M(DP).
(Mj(DP)) = 0 j = 0 to 3	–	Skips the next instruction when the contents of bit j (bit specified by the value j in the immediate field) of M(DP) is "0." Executes the next instruction when the contents of bit j of M(DP) is "1."
(A) = (M(DP))	–	Skips the next instruction when the contents of register A is equal to the contents of M(DP). Executes the next instruction when the contents of register A is not equal to the contents of M(DP).
(A) = n	–	Skips the next instruction when the contents of register A is equal to the value n in the immediate field. Executes the next instruction when the contents of register A is not equal to the value n in the immediate field.

## MACHINE INSTRUCTIONS (continued)

Parameter Type of instructions	Mnemonic	Instruction code											Number of words	Number of cycles	Function
		D9	D8	D7	D6	D5	D4	D3	D2	D1	D0	Hexadecimal notation			
Branch operation	B a	0	1	1	a6	a5	a4	a3	a2	a1	a0	1 8 a +a	1	1	(PCL) ← a6–a0
	BL p, a	0	0	1	1	1	p4	p3	p2	p1	p0	0 E p +p	2	2	(PCH) ← p (Note) (PCL) ← a6–a0
		1	0	p5	a6	a5	a4	a3	a2	a1	a0	2 p a +a			
	BLA p	0	0	0	0	0	1	0	0	0	0	0 1 0	2	2	(PCH) ← p (Note) (PCL) ← (DR2–DR0, A3–A0)
		1	0	p5	p4	0	0	p3	p2	p1	p0	2 p p			
Subroutine operation	BM a	0	1	0	a6	a5	a4	a3	a2	a1	a0	1 a a	1	1	(SP) ← (SP) + 1 (SK(SP)) ← (PC) (PCH) ← 2 (PCL) ← a6–a0
	BML p, a	0	0	1	1	0	p4	p3	p2	p1	p0	0 C p +p	2	2	(SP) ← (SP) + 1 (SK(SP)) ← (PC) (PCH) ← p (Note) (PCL) ← a6–a0
		1	0	p5	a6	a5	a4	a3	a2	a1	a0	2 p a +a			
	BMLA p	0	0	0	0	1	1	0	0	0	0	0 3 0	2	2	(SP) ← (SP) + 1 (SK(SP)) ← (PC) (PCH) ← p (Note) (PCL) ← (DR2–DR0, A3–A0)
		1	0	p5	p4	0	0	p3	p2	p1	p0	2 p p			
Return operation	RTI	0	0	0	1	0	0	0	1	1	0	0 4 6	1	1	(PC) ← (SK(SP)) (SP) ← (SP) – 1
	RT	0	0	0	1	0	0	0	1	0	0	0 4 4	1	2	(PC) ← (SK(SP)) (SP) ← (SP) – 1
	RTS	0	0	0	1	0	0	0	1	0	1	0 4 5	1	2	(PC) ← (SK(SP)) (SP) ← (SP) – 1

Note: p is 0 to 15 for M34518M2,  
p is 0 to 31 for M34518M4,  
p is 0 to 47 for M34518M6,  
p is 0 to 63 for M34518M8/E8.

Skip condition	Carry flag CY	Detailed description
-	-	Branch within a page : Branches to address a in the identical page.
-	-	Branch out of a page : Branches to address a in page p.
-	-	Branch out of a page : Branches to address (DR2 DR1 DR0 A3 A2 A1 A0) <sub>2</sub> specified by registers D and A in page p.
-	-	Call the subroutine in page 2 : Calls the subroutine at address a in page 2.
-	-	Call the subroutine : Calls the subroutine at address a in page p.
-	-	Call the subroutine : Calls the subroutine at address (DR2 DR1 DR0 A3 A2 A1 A0) <sub>2</sub> specified by registers D and A in page p.
-	-	Returns from interrupt service routine to main routine. Returns each value of data pointer (X, Y, Z), carry flag, skip status, NOP mode status by the continuous description of the LA/LXY instruction, register A and register B to the states just before interrupt.
-	-	Returns from subroutine to the routine called the subroutine.
Skip at uncondition	-	Returns from subroutine to the routine called the subroutine, and skips the next instruction at uncondition.

## MACHINE INSTRUCTIONS (INDEX BY TYPES) (continued)

Parameter Type of instructions	Mnemonic	Instruction code											Number of words	Number of cycles	Function
		D9	D8	D7	D6	D5	D4	D3	D2	D1	D0	Hexadecimal notation			
Interrupt operation	DI	0	0	0	0	0	0	0	1	0	0	0 0 4	1	1	(INTE) ← 0
	EI	0	0	0	0	0	0	0	1	0	1	0 0 5	1	1	(INTE) ← 1
	SNZ0	0	0	0	0	1	1	1	0	0	0	0 3 8	1	1	V10 = 0: (EXF0) = 1 ? After skipping, (EXF0) ← 0 V10 = 1: SNZ0 = NOP
	SNZ1	0	0	0	0	1	1	1	0	0	1	0 3 9	1	1	V11 = 0: (EXF1) = 1 ? After skipping, (EXF1) ← 0 V11 = 1: SNZ1 = NOP
	SNZI0	0	0	0	0	1	1	1	0	1	0	0 3 A	1	1	I12 = 1 : (INT0) = "H" ?  I12 = 0 : (INT0) = "L" ?
	SNZI1	0	0	0	0	1	1	1	0	1	1	0 3 B	1	1	I22 = 1 : (INT1) = "H" ?  I22 = 0 : (INT1) = "L" ?
	TAV1	0	0	0	1	0	1	0	1	0	0	0 5 4	1	1	(A) ← (V1)
	TV1A	0	0	0	0	1	1	1	1	1	1	0 3 F	1	1	(V1) ← (A)
	TAV2	0	0	0	1	0	1	0	1	0	1	0 5 5	1	1	(A) ← (V2)
	TV2A	0	0	0	0	1	1	1	1	1	0	0 3 E	1	1	(V2) ← (A)
	TAI1	1	0	0	1	0	1	0	0	1	1	2 5 3	1	1	(A) ← (I1)
TI1A	1	0	0	0	0	1	0	1	1	1	2 1 7	1	1	(I1) ← (A)	
TAI2	1	0	0	1	0	1	0	1	0	0	2 5 4	1	1	(A) ← (I2)	
TI2A	1	0	0	0	0	1	1	0	0	0	2 1 8	1	1	(I2) ← (A)	
Timer operation	TPAA	1	0	1	0	1	0	1	0	1	0	2 A A	1	1	(PA0) ← (A0)
	TAW1	1	0	0	1	0	0	1	0	1	1	2 4 B	1	1	(A) ← (W1)
	TW1A	1	0	0	0	0	0	1	1	1	0	2 0 E	1	1	(W1) ← (A)
	TAW2	1	0	0	1	0	0	1	1	0	0	2 4 C	1	1	(A) ← (W2)
	TW2A	1	0	0	0	0	0	1	1	1	1	2 0 F	1	1	(W2) ← (A)
	TAW3	1	0	0	1	0	0	1	1	0	1	2 4 D	1	1	(A) ← (W3)
	TW3A	1	0	0	0	0	1	0	0	0	0	2 1 0	1	1	(W3) ← (A)
	TAW4	1	0	0	1	0	0	1	1	1	0	2 4 E	1	1	(A) ← (W4)
	TW4A	1	0	0	0	0	1	0	0	0	1	2 1 1	1	1	(W4) ← (A)

Skip condition	Carry flag CY	Detailed description
-	-	Clears (0) to interrupt enable flag INTE, and disables the interrupt.
-	-	Sets (1) to interrupt enable flag INTE, and enables the interrupt.
V10 = 0: (EXF0) = 1	-	When V10 = 0 : Skips the next instruction when external 0 interrupt request flag EXF0 is "1." After skipping, clears (0) to the EXF0 flag. When the EXF0 flag is "0," executes the next instruction. When V10 = 1 : This instruction is equivalent to the NOP instruction. (V10: bit 0 of interrupt control register V1)
V11 = 0: (EXF1) = 1	-	When V11 = 0 : Skips the next instruction when external 1 interrupt request flag EXF1 is "1." After skipping, clears (0) to the EXF1 flag. When the EXF1 flag is "0," executes the next instruction. When V11 = 1 : This instruction is equivalent to the NOP instruction. (V11: bit 1 of interrupt control register V1)
(INT0) = "H" However, I12 = 1	-	When I12 = 1 : Skips the next instruction when the level of INT0 pin is "H." (I12: bit 2 of interrupt control register I1)
(INT0) = "L" However, I12 = 0	-	When I12 = 0 : Skips the next instruction when the level of INT0 pin is "L."
(INT1) = "H" However, I22 = 1	-	When I22 = 1 : Skips the next instruction when the level of INT1 pin is "H." (I22: bit 2 of interrupt control register I2)
(INT1) = "L" However, I22 = 0	-	When I22 = 0 : Skips the next instruction when the level of INT1 pin is "L."
-	-	Transfers the contents of interrupt control register V1 to register A.
-	-	Transfers the contents of register A to interrupt control register V1.
-	-	Transfers the contents of interrupt control register V2 to register A.
-	-	Transfers the contents of register A to interrupt control register V2.
-	-	Transfers the contents of interrupt control register I1 to register A.
-	-	Transfers the contents of register A to interrupt control register I1.
-	-	Transfers the contents of interrupt control register I2 to register A.
-	-	Transfers the contents of register A to interrupt control register I2.
-	-	Transfers the contents of register A to timer control register PA.
-	-	Transfers the contents of timer control register W1 to register A.
-	-	Transfers the contents of register A to timer control register W1.
-	-	Transfers the contents of timer control register W2 to register A.
-	-	Transfers the contents of register A to timer control register W2.
-	-	Transfers the contents of timer control register W3 to register A.
-	-	Transfers the contents of register A to timer control register W3.
-	-	Transfers the contents of timer control register W4 to register A.
-	-	Transfers the contents of register A to timer control register W4.

Parameter Type of instructions	Mnemonic	Instruction code											Number of words	Number of cycles	Function
		D9	D8	D7	D6	D5	D4	D3	D2	D1	D0	Hexadecimal notation			
Timer operation	TAW5	1	0	0	1	0	0	1	1	1	1	2 4 F	1	1	(A) ← (W5)
	TW5A	1	0	0	0	0	1	0	0	1	0	2 1 2	1	1	(W5) ← (A)
	TAW6	1	0	0	1	0	1	0	0	0	0	2 5 0	1	1	(A) ← (W6)
	TW6A	1	0	0	0	0	1	0	0	1	1	2 1 3	1	1	(W6) ← (A)
	TABPS	1	0	0	1	1	1	0	1	0	1	2 7 5	1	1	(B) ← (TPS7–TPS4) (A) ← (TPS3–TPS0)
	TPSAB	1	0	0	0	1	1	0	1	0	1	2 3 5	1	1	(RPS7–RPS4) ← (B) (TPS7–TPS4) ← (B) (RPS3–RPS0) ← (A) (TPS3–TPS0) ← (A)
	TAB1	1	0	0	1	1	1	0	0	0	0	2 7 0	1	1	(B) ← (T17–T14) (A) ← (T13–T10)
	T1AB	1	0	0	0	1	1	0	0	0	0	2 3 0	1	1	(R17–R14) ← (B) (T17–T14) ← (B) (R13–R10) ← (A) (T13–T10) ← (A)
	TAB2	1	0	0	1	1	1	0	0	0	1	2 7 1	1	1	(B) ← (T27–T24) (A) ← (T23–T20)
	T2AB	1	0	0	0	1	1	0	0	0	1	2 3 1	1	1	(R27–R24) ← (B) (T27–T24) ← (B) (R23–R20) ← (A) (T23–T20) ← (A)
	TAB3	1	0	0	1	1	1	0	0	1	0	2 7 2	1	1	(B) ← (T37–T34) (A) ← (T33–T30)
	T3AB	1	0	0	0	1	1	0	0	1	0	2 3 2	1	1	(R37–R34) ← (B) (T37–T34) ← (B) (R33–R30) ← (A) (T33–T30) ← (A)
	TAB4	1	0	0	1	1	1	0	0	1	1	2 7 3	1	1	(B) ← (T47–T44) (A) ← (T43–T40)
	T4AB	1	0	0	0	1	1	0	0	1	1	2 3 3	1	1	(R4L7–R4L4) ← (B) (T47–T44) ← (B) (R4L3–R4L0) ← (A) (T43–T40) ← (A)
	T4HAB	1	0	0	0	1	1	0	1	1	1	2 3 7	1	1	(R4H7–R4H4) ← (B) (R4H3–R4H0) ← (A)
	TR1AB	1	0	0	0	1	1	1	1	1	1	2 3 F	1	1	(R17–R14) ← (B) (R13–R10) ← (A)
	TR3AB	1	0	0	0	1	1	1	0	1	1	2 3 B	1	1	(R37–R34) ← (B) (R33–R30) ← (A)
T4R4L	1	0	1	0	0	1	0	1	1	1	2 9 7	1	1	(T47–T40) ← (R4L7–R4L0)	



Skip condition	Carry flag CY	Detailed description
-	-	Transfers the contents of timer control register W5 to register A.
-	-	Transfers the contents of register A to timer control register W5.
-	-	Transfers the contents of timer control register W6 to register A.
-	-	Transfers the contents of register A to timer control register W6.
-	-	Transfers the high-order 4 bits of prescaler to register B, and transfers the low-order 4 bits of prescaler to register A.
-	-	Transfers the contents of register B to the high-order 4 bits of prescaler and prescaler reload register RPS, and transfers the contents of register A to the low-order 4 bits of prescaler and prescaler reload register RPS.
-	-	Transfers the high-order 4 bits of timer 1 to register B, and transfers the low-order 4 bits of timer 1 to register A.
-	-	Transfers the contents of register B to the high-order 4 bits of timer 1 and timer 1 reload register R1, and transfers the contents of register A to the low-order 4 bits of timer 1 and timer 1 reload register R1.
-	-	Transfers the high-order 4 bits of timer 2 to register B, and transfers the low-order 4 bits of timer 2 to register A.
-	-	Transfers the contents of register B to the high-order 4 bits of timer 2 and timer 2 reload register R2, and transfers the contents of register A to the low-order 4 bits of timer 2 and timer 2 reload register R2.
-	-	Transfers the high-order 4 bits of timer 3 to register B, and transfers the low-order 4 bits of timer 3 to register A.
-	-	Transfers the contents of register B to the high-order 4 bits of timer 3 and timer 3 reload register R3, and transfers the contents of register A to the low-order 4 bits of timer 3 and timer 3 reload register R3.
-	-	Transfers the high-order 4 bits of timer 4 to register B, and transfers the low-order 4 bits of timer 4 to register A.
-	-	Transfers the contents of register B to the high-order 4 bits of timer 4 and timer 4 reload register R4L, and transfers the contents of register A to the low-order 4 bits of timer 4 and timer 4 reload register R4L.
-	-	Transfers the contents of register B to the high-order 4 bits of timer 4 reload register R4H, and transfers the contents of register A to the low-order 4 bits of timer 4 reload register R4H.
-	-	Transfers the contents of register B to the high-order 4 bits of timer 1 reload register R1, and transfers the contents of register A to the low-order 4 bits of timer 1 reload register R1.
-	-	Transfers the contents of register B to the high-order 4 bits of timer 3 reload register R3, and transfers the contents of register A to the low-order 4 bits of timer 3 reload register R3.
-	-	Transfers the contents of timer 4 reload register R4L to timer 4.
-	-	

Parameter Type of instructions	Mnemonic	Instruction code											Number of words	Number of cycles	Function
		D9	D8	D7	D6	D5	D4	D3	D2	D1	D0	Hexadecimal notation			
Timer operation	SNZT1	1	0	1	0	0	0	0	0	0	0	2 8 0	1	1	V12 = 0: (T1F) = 1 ? After skipping, (T1F) ← 0 V12 = 0: NOP
	SNZT2	1	0	1	0	0	0	0	0	0	1	2 8 1	1	1	V13 = 0: (T2F) = 1 ? After skipping, (T2F) ← 0 V13 = 0: NOP
	SNZT3	1	0	1	0	0	0	0	0	1	0	2 8 2	1	1	V20 = 0: (T3F) = 1 ? After skipping, (T3F) ← 0 V20 = 0: NOP
	SNZT4	1	0	1	0	0	0	0	0	1	1	2 8 3	1	1	V21 = 0: (T4F) = 1 ? After skipping, (T4F) ← 0 V21 = 0: NOP
Input/Output operation	IAP0	1	0	0	1	1	0	0	0	0	0	2 6 0	1	1	(A) ← (P0)
	OP0A	1	0	0	0	1	0	0	0	0	0	2 2 0	1	1	(P0) ← (A)
	IAP1	1	0	0	1	1	0	0	0	0	1	2 6 1	1	1	(A) ← (P1)
	OP1A	1	0	0	0	1	0	0	0	0	1	2 2 1	1	1	(P1) ← (A)
	IAP2	1	0	0	1	1	0	0	0	1	0	2 6 2	1	1	(A2–A0) ← (P22–P20) (A3) ← 0
	OP2A	1	0	0	0	1	0	0	0	1	0	2 2 2	1	1	(P22–P20) ← (A2–A0)
	IAP3	1	0	0	1	1	0	0	0	1	1	2 6 3	1	1	(A1, A0) ← (P31, P30)
	OP3A	1	0	0	0	1	0	0	0	1	1	2 2 3	1	1	(P31, P30) ← (A1, A0)
	IAP6	1	0	0	1	1	0	0	1	1	0	2 6 6	1	1	(A) ← (P6)
	OP6A	1	0	0	0	1	0	0	1	1	0	2 2 6	1	1	(P6) ← (A)
	CLD	0	0	0	0	0	1	0	0	0	1	0 1 1	1	1	(D) ← 1
	RD	0	0	0	0	0	1	0	1	0	0	0 1 4	1	1	(D(Y)) ← 0 (Y) = 0 to 7
	SD	0	0	0	0	0	1	0	1	0	1	0 1 5	1	1	(D(Y)) ← 1 (Y) = 0 to 7
	SZD	0	0	0	0	1	0	0	1	0	0	0 2 4	1	1	(D(Y)) = 0 ? (Y) = 0 to 7
			0	0	0	0	1	0	1	0	1	0 2 B	1	1	
	TAPU0	1	0	0	1	0	1	0	1	1	1	2 5 7	1	1	(A) ← (PU0)
TPU0A	1	0	0	0	1	0	1	1	0	1	2 2 D	1	1	(PU0) ← (A)	
TAPU1	1	0	0	1	0	1	1	1	1	0	2 5 E	1	1	(A) ← (PU1)	
TPU1A	1	0	0	0	1	0	1	1	1	0	2 2 E	1	1	(PU1) ← (A)	



## MACHINE INSTRUCTIONS (INDEX BY TYPES) (continued)

Parameter Type of instructions	Mnemonic	Instruction code											Number of words	Number of cycles	Function
		D9	D8	D7	D6	D5	D4	D3	D2	D1	D0	Hexadecimal notation			
Input/Output operation	TAK0	1	0	0	1	0	1	0	1	1	0	2 5 6	1	1	(A) ← (K0)
	TK0A	1	0	0	0	0	1	1	0	1	1	2 1 B	1	1	(K0) ← (A)
	TAK1	1	0	0	1	0	1	1	0	0	1	2 5 9	1	1	(A) ← (K1)
	TK1A	1	0	0	0	0	1	0	1	0	0	2 1 4	1	1	(K1) ← (A)
	TAK2	1	0	0	1	0	1	1	0	1	0	2 5 A	1	1	(A) ← (K2)
	TK2A	1	0	0	0	0	1	0	1	0	1	2 1 5	1	1	(K2) ← (A)
	TFR0A	1	0	0	0	1	0	1	0	0	0	2 2 8	1	1	(FR0) ← (A)
	TFR1A	1	0	0	0	1	0	1	0	0	1	2 2 9	1	1	(FR1) ← (A)
	TFR2A	1	0	0	0	1	0	1	0	1	0	2 2 A	1	1	(FR2) ← (A)
Serial I/O operation	TABSI	1	0	0	1	1	1	1	0	0	0	2 7 8	1	1	(B) ← (SI7–SI4) (A) ← (SI3–SI0)
	TSIAB	1	0	0	0	1	1	1	0	0	0	2 3 8	1	1	(SI7–SI4) ← (B) (SI3–SI0) ← (A)
	SST	1	0	1	0	0	1	1	1	1	0	2 9 E	1	1	(SIOF) ← 0 Serial I/O starting
	SNZSI	1	0	1	0	0	0	1	0	0	0	2 8 8	1	1	V23=0: (SIOF)=1? After skipping, (SIOF) ← 0 V23 = 1: NOP
	TAJ1	1	0	0	1	0	0	0	0	1	0	2 4 2	1	1	(A) ← (J1)
	TJ1A	1	0	0	0	0	0	0	0	1	0	2 0 2	1	1	(J1) ← (A)
Clock operation	CMCK	1	0	1	0	0	1	1	0	1	0	2 9 A	1	1	Ceramic resonator selected
	CRCK	1	0	1	0	0	1	1	0	1	1	2 9 B	1	1	RC oscillator selected
	CYCK	1	0	1	0	0	1	1	1	0	1	2 9 D	1	1	Quartz-crystal oscillator selected
	TRGA	1	0	0	0	0	0	1	0	0	1	2 0 9	1	1	(RGo) ← (A0)
	TAMR	1	0	0	1	0	1	0	0	1	0	2 5 2	1	1	(A) ← (MR)
	TMRA	1	0	0	0	0	1	0	1	1	0	2 1 6	1	1	(MR) ← (A)

Skip condition	Carry flag CY	Detailed description
-	-	Transfers the contents of key-on wakeup control register K0 to register A.
-	-	Transfers the contents of register A to key-on wakeup control register K0 .
-	-	Transfers the contents of key-on wakeup control register K1 to register A.
-	-	Transfers the contents of register A to key-on wakeup control register K1.
-	-	Transfers the contents of key-on wakeup control register K2 to register A.
-	-	Transfers the contents of register A to key-on wakeup control register K2.
-	-	Transfers the contents of register A to port output format control register FR0.
-	-	Transfers the contents of register A to port output format control register FR1.
-	-	Transfers the contents of register A to port output format control register FR2.
-	-	Transfers the high-order 4 bits of serial I/O register SI to register B, and transfers the low-order 4 bits of serial I/O register SI to register A.
-	-	Transfers the contents of register B to the high-order 4 bits of serial I/O register SI, and transfers the contents of register A to the low-order 4 bits of serial I/O register SI.
-	-	Clears (0) to SIOF flag and starts serial I/O.
V23 = 0: (SIOF) = 1	-	Skips the next instruction when the contents of bit 3 (V23) of interrupt control register V2 is "0" and contents of SIOF flag is "1." After skipping, clears (0) to SIOF flag.
-	-	Transfers the contents of serial I/O control register J1 to register A.
-	-	Transfers the contents of register A to serial I/O control register J1.
-	-	Selects the ceramic resonator for main clock f(XIN).
-	-	Selects the RC oscillation circuit for main clock f(XIN).
-	-	Selects the quartz-crystal oscillation circuit for main clock f(XIN).
-	-	Transfers the contents of clock control register RG to register A.
-	-	Transfers the contents of clock control register MR to register A.
-	-	Transfers the contents of register A to clock control register MR.

## MACHINE INSTRUCTIONS (INDEX BY TYPES) (continued)

Parameter Type of instructions	Mnemonic	Instruction code											Hexadecimal notation	Number of words	Number of cycles	Function
		D9	D8	D7	D6	D5	D4	D3	D2	D1	D0					
A/D conversion operation	TABAD	1	0	0	1	1	1	1	0	0	1	2 7 9	1	1	Q13 = 0: (B) ← (AD9–AD6) (A) ← (AD5–AD2) Q13 = 1: (B) ← (AD7–AD4) (A) ← (AD3–AD0)	
	TALA	1	0	0	1	0	0	1	0	0	1	2 4 9	1	1	(A3, A2) ← (AD1, AD0) (A1, A0) ← 0	
	TADAB	1	0	0	0	1	1	1	0	0	1	2 3 9	1	1	(AD7–AD4) ← (B) (AD3–AD0) ← (A)	
	ADST	1	0	1	0	0	1	1	1	1	1	2 9 F	1	1	(ADF) ← 0 A/D conversion starting	
	SNZAD	1	0	1	0	0	0	0	1	1	1	2 8 7	1	1	V21 = 0: (ADF) = 1 ? After skipping, (ADF) ← 0 V22 = 1: NOP	
	TAQ1	1	0	0	1	0	0	0	1	0	0	2 4 4	1	1	(A) ← (Q1)	
	TQ1A	1	0	0	0	0	0	0	1	0	0	2 0 4	1	1	(Q1) ← (A)	
	TAQ2	1	0	0	1	0	0	0	1	0	1	2 4 5	1	1	(A) ← (Q2)	
	TQ2A	1	0	0	0	0	0	0	1	0	1	2 0 5	1	1	(Q2) ← (A)	
	TAQ3	1	0	0	1	0	0	0	1	1	0	2 4 6	1	1	(A) ← (Q3)	
TQ3A	1	0	0	0	0	0	0	1	1	0	2 0 6	1	1	(Q3) ← (A)		
Other operation	NOP	0	0	0	0	0	0	0	0	0	0	0 0 0	1	1	(PC) ← (PC) + 1	
	POF	0	0	0	0	0	0	0	0	1	0	0 0 2	1	1	Transition to RAM back-up mode	
	EPOF	0	0	0	1	0	1	1	0	1	1	0 5 B	1	1	POF instruction valid	
	SNZP	0	0	0	0	0	0	0	0	1	1	0 0 3	1	1	(P) = 1 ?	
	WRST	1	0	1	0	1	0	0	0	0	0	2 A 0	1	1	(WDF1) = 1 ? After skipping, (WDF1) ← 0	
	DWDT	1	0	1	0	0	1	1	1	0	0	2 9 C	1	1	Stop of watchdog timer function enabled	
	SRST	0	0	0	0	0	0	0	0	0	1	0 0 1	1	1	System reset occurrence	

Skip condition	Carry flag CY	Detailed description
–	–	In the A/D conversion mode (Q13 = 0), transfers the high-order 4 bits (AD9–AD6) of register AD to register B, and the middle-order 4 bits (AD5–AD2) of register AD to register A. In the comparator mode (Q13 = 1), transfers the middle-order 4 bits (AD7–AD4) of register AD to register B, and the low-order 4 bits (AD3–AD0) of register AD to register A. (Q13: bit 3 of A/D control register Q1)
–	–	Transfers the low-order 2 bits (AD1, AD0) of register AD to the high-order 2 bits (AD3, AD2) of register A.
–	–	In the comparator mode (Q13 = 1), transfers the contents of register B to the high-order 4 bits (AD7–AD4) of comparator register, and the contents of register A to the low-order 4 bits (AD3–AD0) of comparator register. (Q13 = bit 3 of A/D control register Q1)
–	–	Clears (0) to A/D conversion completion flag ADF, and the A/D conversion at the A/D conversion mode (Q13 = 0) or the comparator operation at the comparator mode (Q13 = 1) is started. (Q13 = bit 3 of A/D control register Q1)
V22 = 0: (ADF) = 1	–	When V22 = 0 : Skips the next instruction when A/D conversion completion flag ADF is "1." After skipping, clears (0) to the ADF flag. When the ADF flag is "0," executes the next instruction. (V22: bit 2 of interrupt control register V2)
–	–	Transfers the contents of A/D control register Q1 to register A.
–	–	Transfers the contents of register A to A/D control register Q1.
–	–	Transfers the contents of A/D control register Q2 to register A.
–	–	Transfers the contents of register A to A/D control register Q2.
–	–	Transfers the contents of A/D control register Q3 to register A.
–	–	Transfers the contents of register A to A/D control register Q3.
–	–	No operation; Adds 1 to program counter value, and others remain unchanged.
–	–	Puts the system in RAM back-up state by executing the POF instruction after executing the EPOF instruction.
–	–	Makes the immediate after POF instruction valid by executing the EPOF instruction.
(P) = 1	–	Skips the next instruction when the P flag is "1". After skipping, the P flag remains unchanged.
(WDF1) = 1	–	Skips the next instruction when watchdog timer flag WDF1 is "1." After skipping, clears (0) to the WDF1 flag. Also, stops the watchdog timer function when executing the WRST instruction immediately after the DWDT instruction.
–	–	Stops the watchdog timer function by the WRST instruction after executing the DWDT instruction.
–	–	System reset occurs.

**INSTRUCTION CODE TABLE**

D3-D0	D9-D4 Hex. notation	000000	000001	000010	000011	000100	000101	000110	000111	001000	001001	001010	001011	001100	001101	001110	001111	010000	011000
		00	01	02	03	04	05	06	07	08	09	0A	0B	0C	0D	0E	0F	10-17	18-1F
0000	0	NOP	BLA	SZB 0	BMLA	-	TASP	A 0	LA 0	TABP 0	TABP 16***	TABP 32**	TABP 48*	BML***	BML	BL***	BL	BM	B
0001	1	SRST	CLD	SZB 1	-	-	TAD	A 1	LA 1	TABP 1	TABP 17***	TABP 33**	TABP 49*	BML***	BML	BL***	BL	BM	B
0010	2	POF	-	SZB 2	-	-	TAX	A 2	LA 2	TABP 2	TABP 18***	TABP 34**	TABP 50*	BML***	BML	BL***	BL	BM	B
0011	3	SNZP	INY	SZB 3	-	-	TAZ	A 3	LA 3	TABP 3	TABP 19***	TABP 35**	TABP 51*	BML***	BML	BL***	BL	BM	B
0100	4	DI	RD	SZD	-	RT	TAV1	A 4	LA 4	TABP 4	TABP 20***	TABP 36**	TABP 52*	BML***	BML	BL***	BL	BM	B
0101	5	EI	SD	SEAn	-	RTS	TAV2	A 5	LA 5	TABP 5	TABP 21***	TABP 37**	TABP 53*	BML***	BML	BL***	BL	BM	B
0110	6	RC	-	SEAM	-	RTI	-	A 6	LA 6	TABP 6	TABP 22***	TABP 38**	TABP 54*	BML***	BML	BL***	BL	BM	B
0111	7	SC	DEY	-	-	-	-	A 7	LA 7	TABP 7	TABP 23***	TABP 39**	TABP 55*	BML***	BML	BL***	BL	BM	B
1000	8	-	AND	-	SNZ0	LZ 0	-	A 8	LA 8	TABP 8	TABP 24***	TABP 40**	TABP 56*	BML***	BML	BL***	BL	BM	B
1001	9	-	OR	TDA	SNZ1	LZ 1	-	A 9	LA 9	TABP 9	TABP 25***	TABP 41**	TABP 57*	BML***	BML	BL***	BL	BM	B
1010	A	AM	TEAB	TABE	SNZ10	LZ 2	-	A 10	LA 10	TABP 10	TABP 26***	TABP 42**	TABP 58*	BML***	BML	BL***	BL	BM	B
1011	B	AMC	-	-	SNZ11	LZ 3	EPOF	A 11	LA 11	TABP 11	TABP 27***	TABP 43**	TABP 59*	BML***	BML	BL***	BL	BM	B
1100	C	TYA	CMA	-	-	RB 0	SB 0	A 12	LA 12	TABP 12	TABP 28***	TABP 44**	TABP 60*	BML***	BML	BL***	BL	BM	B
1101	D	-	RAR	-	-	RB 1	SB 1	A 13	LA 13	TABP 13	TABP 29***	TABP 45**	TABP 61*	BML***	BML	BL***	BL	BM	B
1110	E	TBA	TAB	-	TV2A	RB 2	SB 2	A 14	LA 14	TABP 14	TABP 30***	TABP 46**	TABP 62*	BML***	BML	BL***	BL	BM	B
1111	F	-	TAY	SZC	TV1A	RB 3	SB 3	A 15	LA 15	TABP 15	TABP 31***	TABP 47**	TABP 63*	BML***	BML	BL***	BL	BM	B

The above table shows the relationship between machine language codes and machine language instructions. D3-D0 show the low-order 4 bits of the machine language code, and D9-D4 show the high-order 6 bits of the machine language code. The hexadecimal representation of the code is also provided. There are one-word instructions and two-word instructions, but only the first word of each instruction is shown. Do not use code marked “-.”

The codes for the second word of a two-word instruction are described below.

	The second word
BL	1p paaa aaaa
BML	1p paaa aaaa
BLA	1p pp00 pppp
BMLA	1p pp00 pppp
SEA	00 0111 nnnn
SZD	00 0010 1011

- \*, \*\*, \*\*\* cannot be used in the M34518M2.
- \*, \*\* cannot be used in the M34518M4.
- \* cannot be used in the M34518M6.



**INSTRUCTION CODE TABLE (continued)**

D3–D0	Hex. notation	D9–D4	100000	100001	100010	100011	100100	100101	100110	100111	101000	101001	101010	101011	101100	101101	101110	101111	110000
		20	21	22	23	24	25	26	27	28	29	2A	2B	2C	2D	2E	2F	30–3F	
0000	0	–	TW3A	OP0A	T1AB	–	TAW6	IAP0	TAB1	SNZT1	–	WRST	TMA0	TAM0	XAM0	XAMI0	XAMD0	LXY	
0001	1	–	TW4A	OP1A	T2AB	–	–	IAP1	TAB2	SNZT2	–	–	TMA1	TAM1	XAM1	XAMI1	XAMD1	LXY	
0010	2	TJ1A	TW5A	OP2A	T3AB	TAJ1	TAMR	IAP2	TAB3	SNZT3	–	–	TMA2	TAM2	XAM2	XAMI2	XAMD2	LXY	
0011	3	–	TW6A	OP3A	T4AB	–	TAI1	IAP3	TAB4	SNZT4	–	–	TMA3	TAM3	XAM3	XAMI3	XAMD3	LXY	
0100	4	TQ1A	TK1A	–	–	TAQ1	TAI2	–	–	–	–	–	TMA4	TAM4	XAM4	XAMI4	XAMD4	LXY	
0101	5	TQ2A	TK2A	–	TPSAB	TAQ2	–	–	TABPS	–	–	–	TMA5	TAM5	XAM5	XAMI5	XAMD5	LXY	
0110	6	TQ3A	TMRA	OP6A	–	TAQ3	TAK0	IAP6	–	–	–	–	TMA6	TAM6	XAM6	XAMI6	XAMD6	LXY	
0111	7	–	TI1A	–	T4HAB	–	TAPU0	–	–	SNZADT4R4L	–	–	TMA7	TAM7	XAM7	XAMI7	XAMD7	LXY	
1000	8	–	TI2A	TFR0A	TSIAB	–	–	–	TABS	SNZSI	–	–	TMA8	TAM8	XAM8	XAMI8	XAMD8	LXY	
1001	9	TRGA	–	TFR1A	TADAB	TALA	TAK1	–	TABAD	–	–	–	TMA9	TAM9	XAM9	XAMI9	XAMD9	LXY	
1010	A	–	–	TFR2A	–	–	TAK2	–	–	–	CMCK	TPAA	TMA10	TAM10	XAM10	XAMI10	XAMD10	LXY	
1011	B	–	TK0A	–	TR3AB	TAW1	–	–	–	–	CRCK	–	TMA11	TAM11	XAM11	XAMI11	XAMD11	LXY	
1100	C	–	–	–	–	TAW2	–	–	–	–	DWDT	–	TMA12	TAM12	XAM12	XAMI12	XAMD12	LXY	
1101	D	–	–	TPU0A	–	TAW3	–	–	–	–	CYCK	–	TMA13	TAM13	XAM13	XAMI13	XAMD13	LXY	
1110	E	TW1A	–	TPU1A	–	TAW4	TAPU1	–	–	–	SST	–	TMA14	TAM14	XAM14	XAMI14	XAMD14	LXY	
1111	F	TW2A	–	–	TR1AB	TAW5	–	–	–	–	ADST	–	TMA15	TAM15	XAM15	XAMI15	XAMD15	LXY	

The above table shows the relationship between machine language codes and machine language instructions. D3–D0 show the low-order 4 bits of the machine language code, and D9–D4 show the high-order 6 bits of the machine language code. The hexadecimal representation of the code is also provided. There are one-word instructions and two-word instructions, but only the first word of each instruction is shown. Do not use code marked “–.”

The codes for the second word of a two-word instruction are described below.

	The second word
BL	1p paaa aaaa
BML	1p paaa aaaa
BLA	1p pp00 pppp
BMLA	1p pp00 pppp
SEA	00 0111 nnnn
SZD	00 0010 1011

**ABSOLUTE MAXIMUM RATINGS**

Symbol	Parameter	Conditions		Ratings	Unit
VDD	Supply voltage			-0.3 to 6.5	V
Vi	Input voltage P0, P1, P2, P3, P6, D0-D7, RESET, XIN, VDCE			-0.3 to VDD+0.3	V
Vi	Input voltage SCK, SIN, CNTR0, CNTR1, INT0, INT1			-0.3 to VDD+0.3	V
Vi	Input voltage AIN0-AIN3			-0.3 to VDD+0.3	V
Vo	Output voltage P0, P1, P2, P3, P6, D0-D7, RESET	Output transistors in cut-off state		-0.3 to VDD+0.3	V
Vo	Output voltage SCK, SOUT, CNTR0, CNTR1	Output transistors in cut-off state		-0.3 to VDD+0.3	V
Vo	Output voltage XOUT			-0.3 to VDD+0.3	V
Pd	Power dissipation	Ta = 25 °C	PLQP0032GB-A	300	mW
			PRDP0032BA-A	1100	
Topr	Operating temperature range			-20 to 85	°C
Tstg	Storage temperature range			-40 to 125	°C

**RECOMMENDED OPERATING CONDITIONS 1**

(Mask ROM version: Ta = -20 °C to 85 °C, VDD = 1.8 to 5.5 V, unless otherwise noted)

(One Time PROM version: Ta = -20 °C to 85 °C, VDD = 2.5 to 5.5 V, unless otherwise noted)

Symbol	Parameter	Conditions	Limits			Unit	
			Min.	Typ.	Max.		
VDD	Supply voltage (when ceramic resonator/ on-chip oscillator is used)	Mask ROM version	f(STCK) ≤ 6 MHz	4.0		5.5	V
			f(STCK) ≤ 4.4 MHz	2.7		5.5	
			f(STCK) ≤ 2.2 MHz	2.0		5.5	
			f(STCK) ≤ 1.1 MHz	1.8		5.5	
		One Time PROM version	f(STCK) ≤ 6 MHz	4.0		5.5	
			f(STCK) ≤ 2.2 MHz	2.5		5.5	
VDD	Supply voltage (when RC oscillation is used)	f(STCK) ≤ 4.4 MHz		2.7		5.5	V
VDD	Supply voltage (when quartz-crystal oscillator is used)	Mask ROM version	f(XIN) ≤ 50 kHz	2.0		5.5	V
		One Time PROM version	f(XIN) ≤ 50 kHz	2.5		5.5	
VRAM	RAM back-up voltage	Mask ROM version	at RAM back-up mode	1.6			V
		One Time PROM version	at RAM back-up mode	2.0			
VSS	Supply voltage				0		V
VIH	"H" level input voltage	P0, P1, P2, P3, P6, D0-D7, VDCE, XIN		0.8VDD		VDD	V
VIH	"H" level input voltage	RESET		0.85VDD		VDD	V
VIH	"H" level input voltage	SCK, SIN, CNTR0, CNTR1, INT0, INT1		0.85VDD		VDD	V
VIL	"L" level input voltage	P0, P1, P2, P3, P6, D0-D7, VDCE, XIN		0		0.2VDD	V
VIL	"L" level input voltage	RESET		0		0.3VDD	V
VIL	"L" level input voltage	SCK, SIN, CNTR0, CNTR1, INT0, INT1		0		0.15VDD	V
IOH(peak)	"H" level peak output current	P0, P1, D0-D7 CNTR0, CNTR1	VDD = 5 V			-20	mA
			VDD = 3 V			-10	
IOH(avg)	"H" level average output current (Note)	P0, P1, D0-D7 CNTR0, CNTR1	VDD = 5 V			-10	mA
			VDD = 3 V			-5	
IOL(peak)	"L" level peak output current	P0, P1, P2, P6 SCK, SOUT	VDD = 5 V			24	mA
			VDD = 3 V			12	
IOL(peak)	"L" level peak output current	P3, RESET	VDD = 5 V			10	mA
			VDD = 3 V			4	
IOL(peak)	"L" level peak output current	D0-D5	VDD = 5 V			24	mA
			VDD = 3 V			12	
IOL(peak)	"L" level peak output current	D6, D7 CNTR0, CNTR1	VDD = 5 V			40	mA
			VDD = 3 V			30	
IOL(avg)	"L" level average output current (Note)	P0, P1, P2, P6 SCK, SOUT	VDD = 5 V			12	mA
			VDD = 3 V			6	
IOL(avg)	"L" level average output current (Note)	P3, RESET	VDD = 5 V			5	mA
			VDD = 3 V			2	
IOL(avg)	"L" level average output current (Note)	D0-D5	VDD = 5 V			15	mA
			VDD = 3 V			7	
IOL(avg)	"L" level average output current (Note)	D6, D7 CNTR0, CNTR1	VDD = 5 V			30	mA
			VDD = 3 V			15	
ΣIOH(avg)	"H" level total average current	D0-D7, CNTR0, CNTR1				-60	mA
		P0, P1				-60	
ΣIOL(avg)	"L" level total average current	P2, D0-D7, RESET, CNTR0, CNTR1				80	mA
		P0, P1, P3, P6				80	

Note: The average output current is the average value during 100 ms.

## RECOMMENDED OPERATING CONDITIONS 2

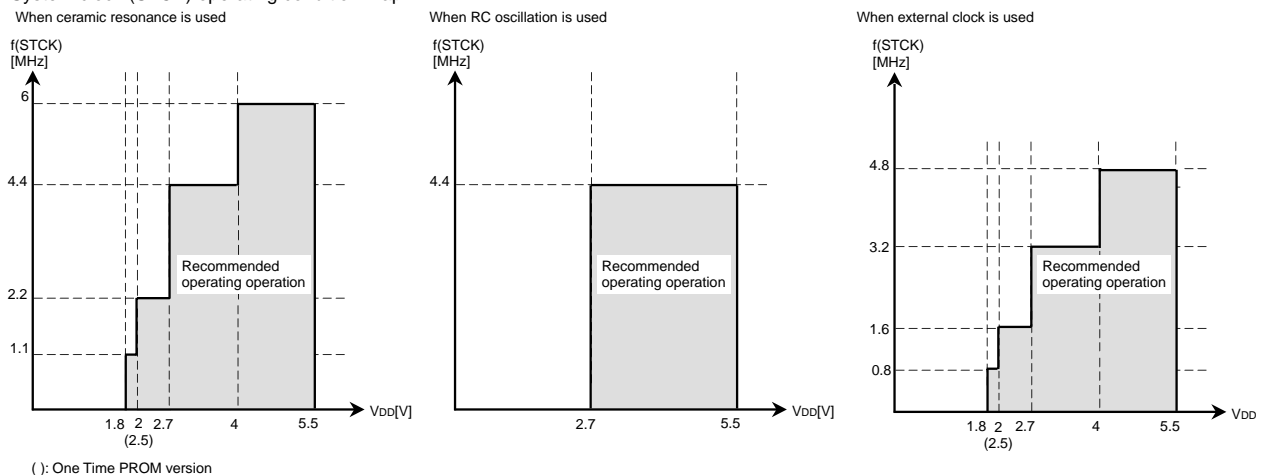
(Mask ROM version: Ta = -20 °C to 85 °C, VDD = 1.8 to 5.5 V, unless otherwise noted)

(One Time PROM version: Ta = -20 °C to 85 °C, VDD = 2.5 to 5.5 V, unless otherwise noted)

Symbol	Parameter	Conditions			Limits			Unit
					Min.	Typ.	Max.	
f(XIN)	Oscillation frequency (with a ceramic resonator)	Mask ROM version	Through mode	VDD = 4.0 to 5.5 V			6.0	MHz
				VDD = 2.7 to 5.5 V			4.4	
				VDD = 2.0 to 5.5 V			2.2	
				VDD = 1.8 to 5.5 V			1.1	
			Frequency/2 mode	VDD = 2.7 to 5.5 V			6.0	
				VDD = 2.0 to 5.5 V			4.4	
		Frequency/4, 8 mode	VDD = 1.8 to 5.5 V			2.2		
			VDD = 2.0 to 5.5 V			6.0		
		One Time PROM version	Through mode	VDD = 4.0 to 5.5 V			6.0	
				VDD = 2.7 to 5.5 V			4.4	
				VDD = 2.5 to 5.5 V			2.2	
				VDD = 2.5 to 5.5 V			6.0	
Frequency/2 mode	VDD = 2.7 to 5.5 V				6.0			
	VDD = 2.5 to 5.5 V				4.4			
Frequency/4, 8 mode	VDD = 2.5 to 5.5 V			6.0				
	VDD = 2.5 to 5.5 V			6.0				
f(XIN)	Oscillation frequency (at RC oscillation) (Note)	VDD = 2.7 to 5.5 V					4.4	MHz
f(XIN)	Oscillation frequency (with a ceramic resonator selected, external clock input)	Mask ROM version	Through mode	VDD = 4.0 to 5.5 V			4.8	MHz
				VDD = 2.7 to 5.5 V			3.2	
				VDD = 2.0 to 5.5 V			1.6	
				VDD = 1.8 to 5.5 V			0.8	
			Frequency/2 mode	VDD = 2.7 to 5.5 V			4.8	
				VDD = 2.0 to 5.5 V			3.2	
		Frequency/4, 8 mode	VDD = 1.8 to 5.5 V			1.6		
			VDD = 2.0 to 5.5 V			4.8		
		One Time PROM version	Through mode	VDD = 4.0 to 5.5 V			4.8	
				VDD = 2.7 to 5.5 V			3.2	
				VDD = 2.5 to 5.5 V			1.6	
				VDD = 2.5 to 5.5 V			4.8	
Frequency/2 mode	VDD = 2.7 to 5.5 V				4.8			
	VDD = 2.5 to 5.5 V				3.2			
Frequency/4, 8 mode	VDD = 2.5 to 5.5 V			4.8				
	VDD = 2.5 to 5.5 V			4.8				

Note: The frequency is affected by a capacitor, a resistor and a microcomputer. So, set the constants within the range of the frequency limits.

### <System clock (STCK) operating condition map>



**RECOMMENDED OPERATING CONDITIONS 3**

(Mask ROM version: Ta = -20 °C to 85 °C, VDD = 1.8 to 5.5 V, unless otherwise noted)

(One Time PROM version: Ta = -20 °C to 85 °C, VDD = 2.5 to 5.5 V, unless otherwise noted)

Symbol	Parameter	Conditions		Limits			Unit
				Min.	Typ.	Max.	
f(XIN)	Oscillation frequency (with a quartz-crystal oscillator)	Mask ROM version	VDD = 2.0 to 5.5 V			50	kHz
		One Time PROM version	VDD = 2.5 to 5.5 V			50	
f(CNTR)	Timer external input frequency	CNTR0, CNTR1				f(STCK)/6	Hz
tw(CNTR)	Timer external input period ("H" and "L" pulse width)	CNTR0, CNTR1		3/f(STCK)			s
f(SCK)	Serial I/O external input frequency	SCK				f(STCK)/6	Hz
tw(SCK)	Serial I/O external input frequency ("H" and "L" pulse width)	SCK		3/f(STCK)			s
TPON	Power-on reset circuit valid supply voltage rising time	Mask ROM version	VDD = 0 → 1.8 V			100	μs
		One Time PROM version	VDD = 0 → 2.5 V			100	

**ELECTRICAL CHARACTERISTICS 1**

(Mask ROM version: Ta = -20 °C to 85 °C, VDD = 1.8 to 5.5 V, unless otherwise noted)

(One Time PROM version: Ta = -20 °C to 85 °C, VDD = 2.5 to 5.5 V, unless otherwise noted)

Symbol	Parameter	Test conditions		Limits			Unit
				Min.	Typ.	Max.	
VOH	"H" level output voltage P0, P1, D0-D7, CNTR0, CNTR1	VDD = 5 V	IOH = -10 mA	3			V
			IOH = -3 mA	4.1			
		VDD = 3 V	IOH = -5 mA	2.1			
			IOH = -1 mA	2.4			
VOL	"L" level output voltage P0, P1, P2, P6 SCK, SOUT	VDD = 5 V	IOL = 12 mA			2	V
			IOL = 4 mA			0.9	
		VDD = 3 V	IOL = 6 mA			0.9	
			IOL = 2 mA			0.6	
VOL	"L" level output voltage P3, RESET	VDD = 5 V	IOL = 5 mA			2	V
			IOL = 1 mA			0.9	
		VDD = 3 V	IOL = 2 mA			0.9	
VOL	"L" level output voltage D0-D5	VDD = 5 V	IOL = 15 mA			2	V
			IOL = 5 mA			0.9	
		VDD = 3 V	IOL = 9 mA			1.4	
			IOL = 3 mA			0.9	
VOL	"L" level output voltage D6, D7, CNTR0, CNTR1	VDD = 5 V	IOL = 30 mA			2	V
			IOL = 10 mA			0.9	
		VDD = 3 V	IOL = 15 mA			2	
			IOL = 5 mA			0.9	
I <sub>IH</sub>	"H" level input current P0, P1, P2, P3, P6, D0-D7, VDCE, RESET, SCK, SIN, CNTR0, CNTR1, INT0, INT1	VI = VDD Port P6 selected				2	μA
I <sub>IL</sub>	"L" level input current P0, P1, P2, P3, P6, D0-D7, VDCE, SCK, SIN, CNTR0, CNTR1, INT0, INT1	VI = 0 V P0, P1 No pull-up Port P6 selected				-2	μA
RPU	Pull-up resistor value P0, P1, RESET	VI = 0 V	VDD = 5 V	30	60	125	kΩ
			VDD = 3 V	50	120	250	
VT+ - VT-	Hysteresis SCK, SIN, CNTR0, CNTR1, INT0, INT1	VDD = 5 V			0.2		V
		VDD = 3 V			0.2		
VT+ - VT-	Hysteresis RESET	VDD = 5 V			1		V
		VDD = 3 V			0.4		
f(RING)	On-chip oscillator clock frequency	VDD = 5 V		200	500	700	kHz
		VDD = 3 V		100	250	400	
		Mask ROM version	VDD = 1.8 V	30	120	200	
Δf(XIN)	Frequency error (with RC oscillation, error of external R, C not included ) (Note)	VDD = 5 V ± 10 %, Ta = 25 °C				±17	%
		VDD = 3 V ± 10 %, Ta = 25 °C				±17	%

Note: When RC oscillation is used, use the external 30 or 33 pF capacitor (C).

## ELECTRICAL CHARACTERISTICS 2

(Mask ROM version: Ta = -20 °C to 85 °C, VDD = 1.8 to 5.5 V, unless otherwise noted)

(One Time PROM version: Ta = -20 °C to 85 °C, VDD = 2.5 to 5.5 V, unless otherwise noted)

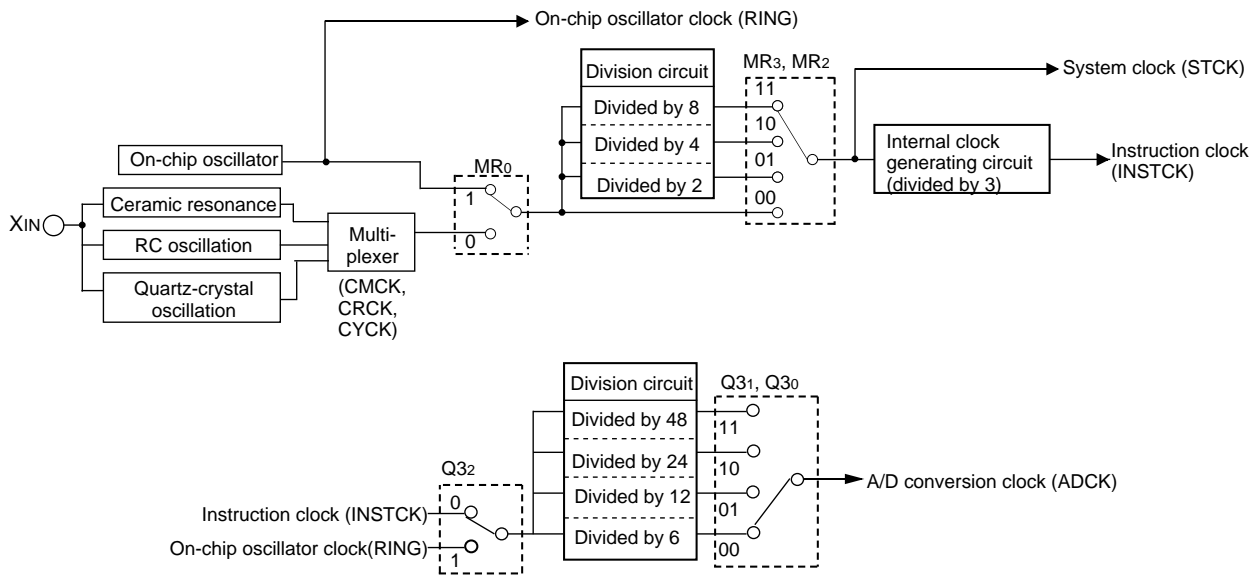
Symbol	Parameter	Test conditions	Limits			Unit
			Min.	Typ.	Max.	
IDD	Supply current at active mode (with a ceramic resonator, on-chip oscillator stop)	VDD = 5 V f(XIN) = 6 MHz	f(STCK) = f(XIN)/8	1.4	2.8	mA
			f(STCK) = f(XIN)/4	1.6	3.2	
			f(STCK) = f(XIN)/2	2.0	4.0	
			f(STCK) = f(XIN)	2.8	5.6	
		VDD = 5 V f(XIN) = 4 MHz	f(STCK) = f(XIN)/8	1.1	2.2	mA
			f(STCK) = f(XIN)/4	1.2	2.4	
			f(STCK) = f(XIN)/2	1.5	3.0	
			f(STCK) = f(XIN)	2.0	4.0	
		VDD = 3 V f(XIN) = 4 MHz	f(STCK) = f(XIN)/8	0.4	0.8	mA
			f(STCK) = f(XIN)/4	0.5	1.0	
			f(STCK) = f(XIN)/2	0.6	1.2	
			f(STCK) = f(XIN)	0.8	1.6	
	at active mode (with a quartz-crystal oscillator, on-chip oscillator stop)	VDD = 5 V f(XIN) = 32 kHz	f(STCK) = f(XIN)/8	55	110	μA
			f(STCK) = f(XIN)/4	60	120	
			f(STCK) = f(XIN)/2	65	130	
			f(STCK) = f(XIN)	70	140	
		VDD = 3 V f(XIN) = 32 kHz	f(STCK) = f(XIN)/8	12	24	μA
			f(STCK) = f(XIN)/4	13	26	
			f(STCK) = f(XIN)/2	14	28	
			f(STCK) = f(XIN)	15	30	
	at active mode (with an on-chip oscillator, f(XIN) stop)	VDD = 5 V	f(STCK) = f(RING)/8	50	100	μA
			f(STCK) = f(RING)/4	70	140	
			f(STCK) = f(RING)/2	100	200	
			f(STCK) = f(RING)	150	300	
VDD = 3 V		f(STCK) = f(RING)/8	10	20	μA	
		f(STCK) = f(RING)/4	15	30		
		f(STCK) = f(RING)/2	20	40		
		f(STCK) = f(RING)	35	70		
at RAM back-up mode (POF instruction execution)	Ta = 25 °C		0.1	3	μA	
	VDD = 5 V			10		
	VDD = 3 V			6		

### A/D CONVERTER RECOMMENDED OPERATING CONDITIONS

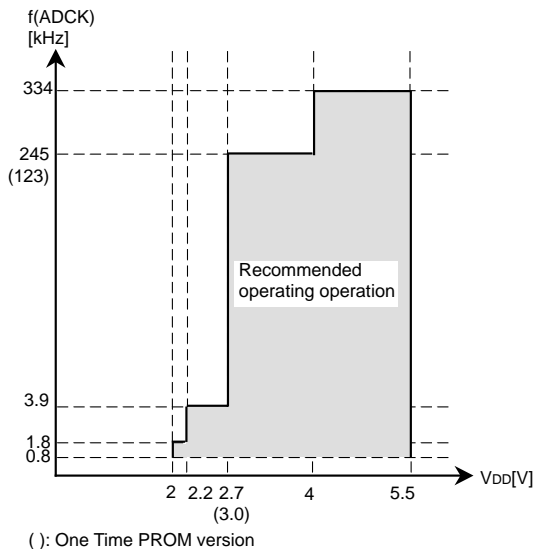
(Comparator mode included, Ta = -20 °C to 85 °C, unless otherwise noted)

Symbol	Parameter	Conditions	Limits			Unit	
			Min.	Typ.	Max.		
VDD	Supply voltage	Mask ROM version	2.0		5.5	V	
		One Time PROM version	3.0		5.5		
VIA	Analog input voltage		0		VDD	V	
f(ADCK)	A/D conversion clock frequency (Note)	Mask ROM version	VDD = 4.0 to 5.5 V	0.8		334	kHz
			VDD = 2.7 to 5.5 V	0.8		245	
			VDD = 2.2 to 5.5 V	0.8		3.9	
			VDD = 2.0 to 5.5 V	0.8		1.8	
		One Time PROM version	VDD = 4.0 to 5.5 V	0.8		334	
			VDD = 3.0 to 5.5 V	0.8		123	

Note: Definition of A/D conversion clock (ADCK)



<Operating condition map of A/D conversion clock (ADCK) >





**A/D CONVERTER CHARACTERISTICS**

(Ta = -20 °C to 85 °C, unless otherwise noted)

Symbol	Parameter	Test conditions		Limits			Unit
				Min.	Typ.	Max.	
–	Resolution					10	bits
–	Linearity error	2.7(3.0) V ≤ VDD ≤ 5.5 V ((): One Time PROM version)				±2	LSB
		Mask ROM version	2.2 V ≤ VDD < 2.7 V			±4	
–	Differential non-linearity error	2.2 (3.0) V ≤ VDD ≤ 5.5 V ((): One Time PROM version)				±0.9	LSB
V0T	Zero transition voltage	Mask ROM version	VDD = 5.12 V	0	10	20	mV
			VDD = 3.072 V	0	7.5	15	
			VDD = 2.56 V	0	7.5	15	
		One Time PROM version	VDD = 5.12 V	0	15	30	
			VDD = 3.072 V	3	13	23	
VFST	Full-scale transition voltage	Mask ROM version	VDD = 5.12 V	5105	5115	5125	mV
			VDD = 3.072 V	3064.5	3072	3079.5	
			VDD = 2.56 V	2552.5	2560	2567.5	
		One Time PROM version	VDD = 5.12 V	5100	5115	5130	
			VDD = 3.072 V	3065	3075	3085	
–	Absolute accuracy (Quantization error excluded)	Mask ROM version 2.0 V ≤ VDD < 2.2 V				±8	LSB
IADD	A/D operating current (Note 1)	VDD = 5 V			150	450	μA
		VDD = 3 V			75	225	
TCONV	A/D conversion time	f(XIN) = 6 MHz f(STCK) = f(XIN) (XIN through mode) ADCK=INSTCK/6				31	μs
–	Comparator resolution					8	bits
–	Comparator error (Note 2)	Mask ROM version	VDD = 5.12 V			±20	mV
			VDD = 3.072 V			±15	
			VDD = 2.56 V			±15	
		One Time PROM version	VDD = 5.12 V			±30	
			VDD = 3.072 V			±23	
–	Comparator comparison time	f(XIN) = 6 MHz f(STCK) = f(XIN) (XIN through mode) ADCK=INSTCK/6				4	μs

Notes 1: When the A/D converter is used, IADD is added to IDD (supply current).

2: As for the error from the ideal value in the comparator mode, when the contents of the comparator register is n, the logic value of the comparison voltage Vref which is generated by the built-in DA converter can be obtained by the following formula.

— Logic value of comparison voltage Vref —

$$V_{ref} = \frac{V_{DD}}{256} \times n$$

n = Value of register AD (n = 0 to 255)

### VOLTAGE DROP DETECTION CIRCUIT CHARACTERISTICS

(Ta = -20 °C to 85 °C, unless otherwise noted)

Symbol	Parameter	Test conditions	Limits			Unit
			Min.	Typ.	Max.	
VRST-	Detection voltage (reset occurs) (Note 1)	Ta = 25 °C	3.3	3.5	3.7	V
		Mask ROM version	2.7		4.2	
		One Time PROM version	2.6		4.2	
VRST+	Detection voltage (reset release) (Note 2)	Ta = 25 °C	3.5	3.7	3.9	V
		Mask ROM version	2.9		4.4	
		One Time PROM version	2.8		4.4	
VRST+ - VRST-	Detection voltage hysteresis			0.2	V	
IRST	Operation current (Note 3)	VDD = 5 V		50	100	μA
		VDD = 3 V		30	60	
TRST	Detection time	VDD → (VRST- - 0.1 V) (Note 4)		0.2	1.2	ms

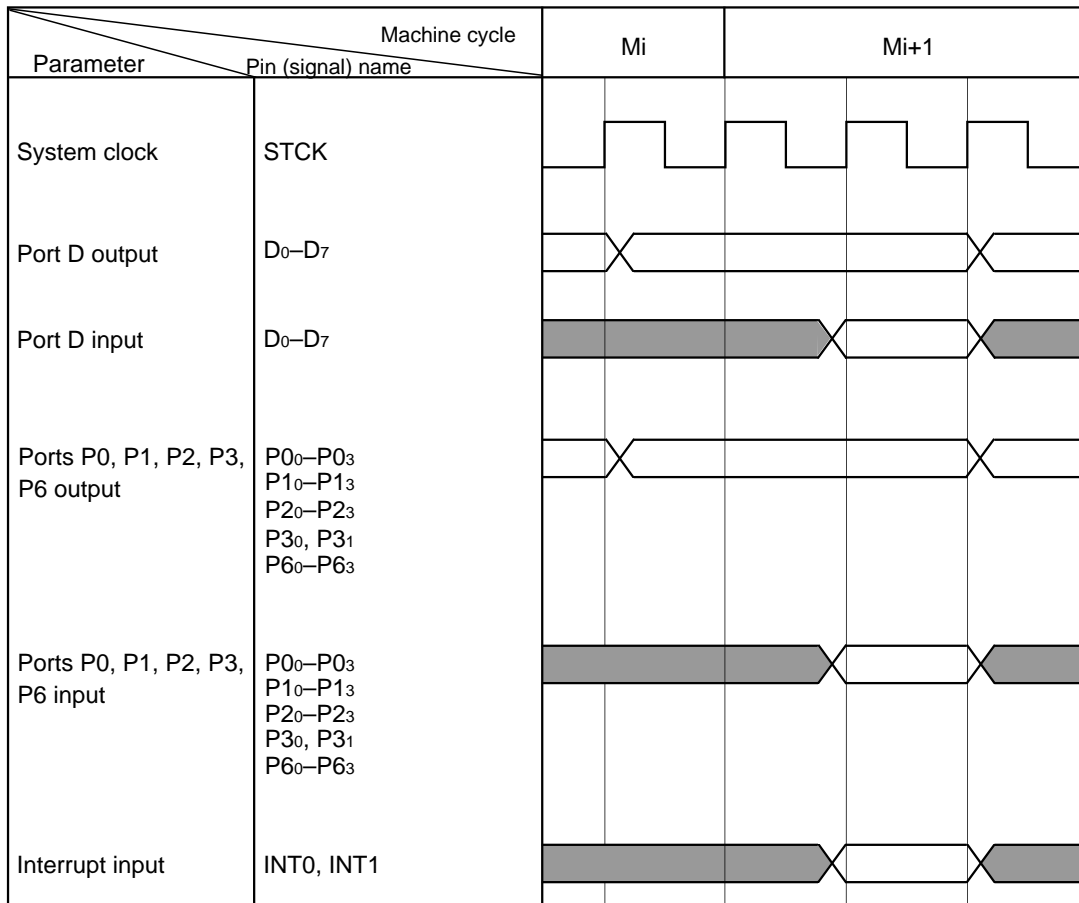
Notes 1: The detected voltage (VRST-) is defined as the voltage when reset occurs when the supply voltage (VDD) is falling.

2: The detected voltage (VRST+) is defined as the voltage when reset is released when the supply voltage (VDD) is rising from reset occurs.

3: When the voltage drop detection circuit is used (VDCE pin = "H"), IRST is added to IDD (power current).

4: The detection time (TRST) is defined as the time until reset occurs when the supply voltage (VDD) is falling to [VRST- - 0.1 V].

### BASIC TIMING DIAGRAM



**BUILT-IN PROM VERSION**

In addition to the mask ROM versions, the 4518 Group has the One Time PROM versions whose PROMs can only be written to and not be erased.

The built-in PROM version has functions similar to those of the mask ROM versions, but it has PROM mode that enables writing to built-in PROM.

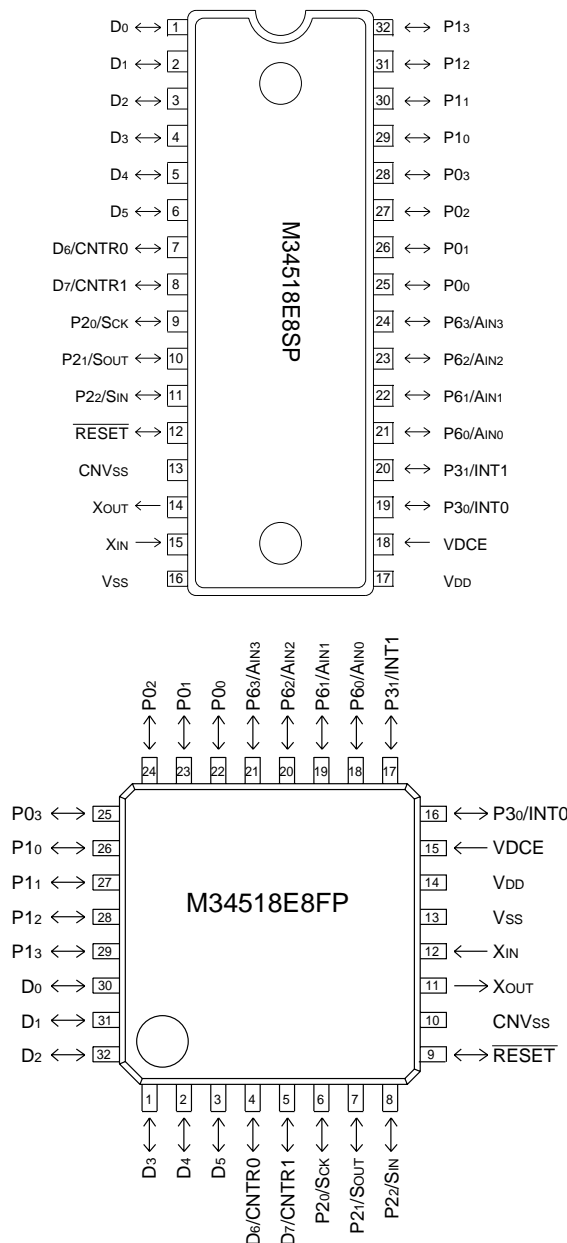
Table 23 shows the product of built-in PROM version. Figure 75 shows the pin configurations of built-in PROM versions.

The One Time PROM version has pin-compatibility with the mask ROM version.

**Table 23 Product of built-in PROM version**

Part number	PROM size (X 10 bits)	RAM size (X 4 bits)	Package	ROM type
M34518E8FP	8192 words	384 words	PLQP0032GB-A	One Time PROM [shipped in blank]
M34518E8SP	8192 words	384 words	PRDP0032BA-A	One Time PROM [shipped in blank]

**PIN CONFIGURATION (TOP VIEW)**



**Fig. 75 Pin configuration of built-in PROM version**

**(1) PROM mode**

The built-in PROM version has a PROM mode in addition to a normal operation mode. The PROM mode is used to write to and read from the built-in PROM.

In the PROM mode, the programming adapter can be used with a general-purpose PROM programmer to write to or read from the built-in PROM as if it were M5M27C256K.

Programming adapter is listed in Table 24. Contact addresses at the end of this data sheet for the appropriate PROM programmer.

- Writing and reading of built-in PROM

Programming voltage is 12.5 V. Write the program in the PROM of the built-in PROM version as shown in Figure 76.

**(2) Notes on handling**

- ① A high-voltage is used for writing. Take care that overvoltage is not applied. Take care especially at turning on the power.
- ② For the One Time PROM version shipped in blank, Renesas Technology Corp. does not perform PROM writing test and screening in the assembly process and following processes. In order to improve reliability after writing, performing writing and test according to the flow shown in Figure 77 before using is recommended (Products shipped in blank: PROM contents is not written in factory when shipped).

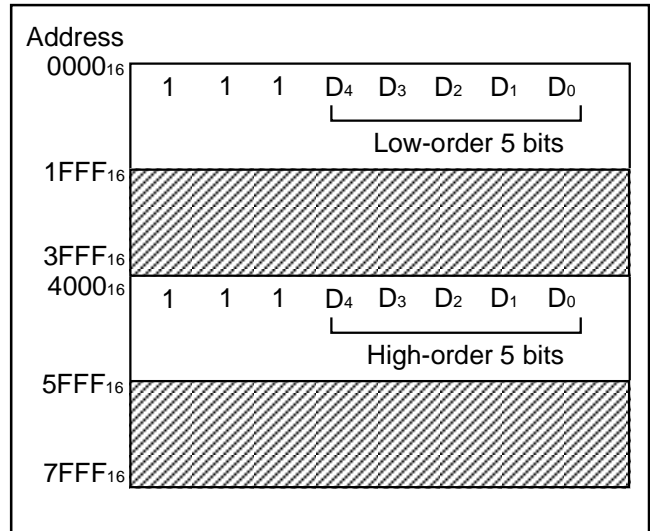
**(3) Electric Characteristic Differences Between Mask ROM and One Time PROM Version MCU**

There are differences in electric characteristics, operation margin, noise immunity, and noise radiation between Mask ROM and One Time PROM version MCUs due to the difference in the manufacturing processes.

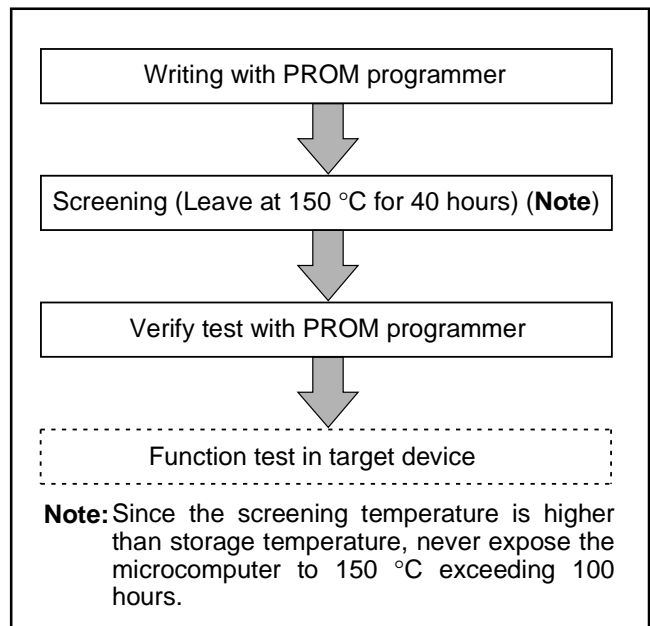
When manufacturing an application system with the One Time PROM version and then switching to use of the Mask ROM version, please perform sufficient evaluations for the commercial samples of the Mask ROM version.

**Table 24 Programming adapter**

Microcomputer	Name of Programming Adapter
M34518E8FP	PCA7442FP
M34518E8SP	PCA7442SP



**Fig. 76 PROM memory map**



**Fig. 77 Flow of writing and test of the product shipped in blank**

PACKAGE OUTLINE

JEITA Package Code	RENESAS Code	Previous Code	MASS[Typ.]
P-SDIP32-8.9x28-1.78	PRDP0032BA-A	32P4B	2.2g

NOTE:

- DIMENSIONS \*1\* AND \*2\* DO NOT INCLUDE MOLD FLASH.
- DIMENSION \*3\* DOES NOT INCLUDE TRIM OFFSET.

Reference Symbol	Dimension in Millimeters		
	Min	Nom	Max
$\overline{[E]}$	9.86	10.16	10.46
D	27.8	28.0	28.2
E	8.75	8.9	9.05
A	—	—	5.08
A <sub>1</sub>	0.51	—	—
A <sub>2</sub>	—	3.8	—
b <sub>p</sub>	0.35	0.45	0.55
b <sub>2</sub>	0.63	0.73	1.03
b <sub>3</sub>	0.9	1.0	1.3
c	0.22	0.27	0.34
$\theta$	0°	—	15°
e	1.528	1.778	2.028
L	3.0	—	—

JEITA Package Code	RENESAS Code	Previous Code	MASS[Typ.]
P-LQFP32-7x7-0.80	PLQP0032GB-A	32P6U-A	0.2g

NOTE:

- DIMENSIONS \*1\* AND \*2\* DO NOT INCLUDE MOLD FLASH.
- DIMENSION \*3\* DOES NOT INCLUDE TRIM OFFSET.

Reference Symbol	Dimension in Millimeters		
	Min	Nom	Max
D	6.9	7.0	7.1
E	6.9	7.0	7.1
A <sub>2</sub>	—	1.4	—
H <sub>b</sub>	8.8	9.0	9.2
H <sub>e</sub>	8.8	9.0	9.2
A	—	—	1.7
A <sub>1</sub>	0	0.1	0.2
b <sub>p</sub>	0.32	0.37	0.42
b <sub>1</sub>	—	0.35	—
c	0.09	0.145	0.20
c <sub>1</sub>	—	0.125	—
$\theta$	0°	—	8°
$\overline{[E]}$	—	0.8	—
x	—	—	0.20
y	—	—	0.10
Z <sub>D</sub>	—	0.7	—
Z <sub>E</sub>	—	0.7	—
L	0.3	0.5	0.7
L <sub>1</sub>	—	1.0	—

REVISION HISTORY

4518 Group Data Sheet

Rev.	Date	Description	
		Page	Summary
1.00	Jan. 14, 2003	–	First edition issued
2.00	Apr. 15, 2003	145 147 150 151 152	Some values of the following table are revised. RECOMMENDED OPERATING CONDITIONS 1; • Supply voltage (when quartz-crystal oscillator is used) • RAM back voltage RECOMMENDED OPERATING CONDITIONS 3; • Oscillation frequency (with a quartz-crystal oscillator) A/D CONVERTER RECOMMENDED OPERATING CONDITIONS; • Supply voltage • A/D conversion clock frequency A/D CONVERTER CHARACTERISTICS; • Linearity error • Differential non-linearity error • Zero transition voltage • Full-scale transition voltage • Comparator error VOLTAGE DROP DETECTION CIRCUIT; • Detection voltage (reset occurs) • Detection voltage (reset release)
3.00	Jul. 27, 2004	All pages 4 5 15 25 28 29 33 34 39 40 44 45 46 57 70 72 73 75 76 77 85 154	Words standardized: On-chip oscillator, A/D converter PERFORMANCE OVERVIEW: Power dissipation revised. PIN DESCRIPTION: Description of RESET pin revised. Port block diagram (7): Period measurement circuit added. Fig.17: Period measurement circuit added. Fig.20 revised. Fig.23 revised. Fig.26: Note added. Table 10 W13: (Note 2) added, W33: (Note 2) → (Note 3). (12): Some description added. (14): Some description added. Some description added. Fig.33: "DI" instruction added. Table 11: Relative accuracy revised. Fig.46: SRST instruction added. ① Timer 4: Some description added. Fig.64 revised. Fig.67 revised. Note on Power Source Voltage added. I13, I12: (Note 2) added. W13: (Note 2) added, and Note 2 added. SNZ0, SNZ1 revised. Fig.73 revised.
3.01	Jun.15, 2005	All pages 1 2 4 41	Delete the following: "PRELIMINARY". Package name revised. Pin configuration: Package name revised. PERFORMANCE OVERVIEW: Package name revised. •Prescaler, Timer 1, Timer 2 and Timer 3 count start timing and count time when operation starts, •Timer 4 count start timing and count time when operation starts added.

REVISION HISTORY

4518 Group Data Sheet

Rev.	Date	Description	
		Page	Summary
3.01	Jun.15, 2005	72	Ⓜ Prescaler, Timer 1, Timer 2 and Timer 3 count start timing and count time when operation starts, Ⓜ Timer 4 count start timing and count time when operation starts added.
		146	ABSOLUTE MAXIMUM RATINGS: Package name revised.
		155	BUILT-IN PROM VERSION: Package name revised.
		157	PACKAGE OUTLINE revised.

## Renesas Technology Corp. Sales Strategic Planning Div. Nippon Bldg., 2-6-2, Ohte-machi, Chiyoda-ku, Tokyo 100-0004, Japan

---

Keep safety first in your circuit designs!

1. Renesas Technology Corp. puts the maximum effort into making semiconductor products better and more reliable, but there is always the possibility that trouble may occur with them. Trouble with semiconductors may lead to personal injury, fire or property damage. Remember to give due consideration to safety when making your circuit designs, with appropriate measures such as (i) placement of substitutive, auxiliary circuits, (ii) use of nonflammable material or (iii) prevention against any malfunction or mishap.

Notes regarding these materials

1. These materials are intended as a reference to assist our customers in the selection of the Renesas Technology Corp. product best suited to the customer's application; they do not convey any license under any intellectual property rights, or any other rights, belonging to Renesas Technology Corp. or a third party.
  2. Renesas Technology Corp. assumes no responsibility for any damage, or infringement of any third-party's rights, originating in the use of any product data, diagrams, charts, programs, algorithms, or circuit application examples contained in these materials.
  3. All information contained in these materials, including product data, diagrams, charts, programs and algorithms represents information on products at the time of publication of these materials, and are subject to change by Renesas Technology Corp. without notice due to product improvements or other reasons. It is therefore recommended that customers contact Renesas Technology Corp. or an authorized Renesas Technology Corp. product distributor for the latest product information before purchasing a product listed herein.  
The information described here may contain technical inaccuracies or typographical errors.  
Renesas Technology Corp. assumes no responsibility for any damage, liability, or other loss rising from these inaccuracies or errors.  
Please also pay attention to information published by Renesas Technology Corp. by various means, including the Renesas Technology Corp. Semiconductor home page (<http://www.renesas.com>).
  4. When using any or all of the information contained in these materials, including product data, diagrams, charts, programs, and algorithms, please be sure to evaluate all information as a total system before making a final decision on the applicability of the information and products. Renesas Technology Corp. assumes no responsibility for any damage, liability or other loss resulting from the information contained herein.
  5. Renesas Technology Corp. semiconductors are not designed or manufactured for use in a device or system that is used under circumstances in which human life is potentially at stake. Please contact Renesas Technology Corp. or an authorized Renesas Technology Corp. product distributor when considering the use of a product contained herein for any specific purposes, such as apparatus or systems for transportation, vehicular, medical, aerospace, nuclear, or undersea repeater use.
  6. The prior written approval of Renesas Technology Corp. is necessary to reprint or reproduce in whole or in part these materials.
  7. If these products or technologies are subject to the Japanese export control restrictions, they must be exported under a license from the Japanese government and cannot be imported into a country other than the approved destination.  
Any diversion or reexport contrary to the export control laws and regulations of Japan and/or the country of destination is prohibited.
  8. Please contact Renesas Technology Corp. for further details on these materials or the products contained therein.
- 



### RENESAS SALES OFFICES

<http://www.renesas.com>

Refer to "<http://www.renesas.com/en/network>" for the latest and detailed information.

#### **Renesas Technology America, Inc.**

450 Holger Way, San Jose, CA 95134-1368, U.S.A  
Tel: <1> (408) 382-7500, Fax: <1> (408) 382-7501

#### **Renesas Technology Europe Limited**

Dukes Meadow, Millboard Road, Bourne End, Buckinghamshire, SL8 5FH, U.K.  
Tel: <44> (1628) 585-100, Fax: <44> (1628) 585-900

#### **Renesas Technology Hong Kong Ltd.**

7th Floor, North Tower, World Finance Centre, Harbour City, 1 Canton Road, Tsimshatsui, Kowloon, Hong Kong  
Tel: <852> 2265-6688, Fax: <852> 2730-6071

#### **Renesas Technology Taiwan Co., Ltd.**

10th Floor, No.99, Fushing North Road, Taipei, Taiwan  
Tel: <886> (2) 2715-2888, Fax: <886> (2) 2713-2999

#### **Renesas Technology (Shanghai) Co., Ltd.**

Unit2607 Ruijing Building, No.205 Maoming Road (S), Shanghai 200020, China  
Tel: <86> (21) 6472-1001, Fax: <86> (21) 6415-2952

#### **Renesas Technology Singapore Pte. Ltd.**

1 Harbour Front Avenue, #06-10, Keppel Bay Tower, Singapore 098632  
Tel: <65> 6213-0200, Fax: <65> 6278-8001

#### **Renesas Technology Korea Co., Ltd.**

Kukje Center Bldg. 18th Fl., 191, 2-ka, Hangang-ro, Yongsan-ku, Seoul 140-702, Korea  
Tel: <82> 2-796-3115, Fax: <82> 2-796-2145

#### **Renesas Technology Malaysia Sdn. Bhd.**

Unit 906, Block B, Menara Amcorp, Amcorp Trade Centre, No.18, Jalan Persiaran Barat, 46050 Petaling Jaya, Selangor Darul Ehsan, Malaysia  
Tel: <603> 7955-9390, Fax: <603> 7955-9510

