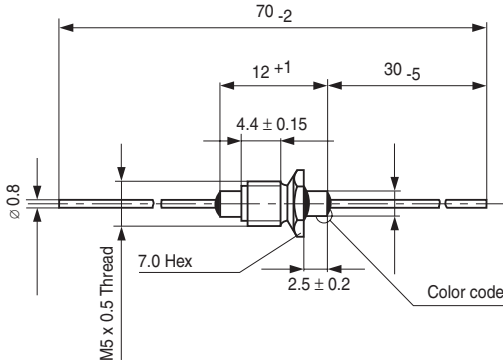


Ceramic Singlelayer Feed-Through Capacitors 400V_{DC}



• Dimensions in mm

	L ¹ (mm)	L ² (mm)
DDLK 0307	7	39 +1
DDLK 0312	12	65 +1
DDLK 0316	16	65 +1

PERMISSIBLE POWER LOSS:

DDLK 0307: 135 mW
DDLK 0312: 135 mW
DDLK 0316: 150 mW

MARKING:

none

DESIGN:

Feed-through capacitor solderable, varnished

RATED VOLTAGE U_R:

400 V_{DC} (280 V_{RMS})

DIELECTRIC STRENGTH BETWEEN LEADS:

1250V_{DC} 1 s

DISSIPATION FACTOR tan δ:

Ceramic Class 1: see General Information
Ceramic Class 2: ≤ 25 • 10⁻³

INSULATION RESISTANCE R_{IS}:

Ceramic Class 1: ≥ 1 • 10¹⁰ Ω
Ceramic Class 2: ≥ 5 • 10⁹ Ω

CATEGORY TEMPERATURE RANGE θ_A:

Ceramic Class 1: (- 55 to + 125) °C
Ceramic Class 2: (- 25 to + 85) °C

CLIMATIC CATEGORY ACC. TO EN 60068-1:

40 / 085 / 04

PERMISSIBLE REACTIVE POWER:

DDLK 0307: 4 VAR (Class 2), 67 VAR (Class 1)
DDLK 0312: 5.4 VAR (Class 2), 90 VAR (Class 1)
DDLK 0316: 7.1 VAR (Class 2), 120 VAR (Class 1)

DIRECT CURRENT I_{DC}:

10 A

CLASS	CERAMIC DIELECTRIC	CAPACITANCE VALUES (pF)		
		DDLK 0307	DDLK 0312	DDLK 0316
1 B	P 100	1.5 to 10	to 12	to 36
	NP 0	5 to 15		
	N 075	5 to 20		
	N 150	6.8 to 20	to 62	to 100
	N 470	12 to 30		
1 F	N 750	20 to 62	to 130	to 200
2	N 1500	68 to 100	to 150	to 180
	R 700	180 to 360	to 680	to 1500
	R 2000	390 to 910	to 1600	to 3900
	R 4000	680 to 1800	to 3600	to 6800

* This series is available in both the Class 1A and Class 1B (standard)

** Class 1A only available ≥ 15 pF

CERAMIC DIELECTRIC	NOMINAL VALUE	CAPACITANCE TOLERANCE		
P 100 to N 750	< 10 pF	± 0.5 pF	± 1 pF	
	≥ 10 pF		± 10 %	± 20 %
R 700 to R 2000			- 20 + 50 %	
R 4000 to R 6000			- 20 + 50 %	- 20 + 80 %

ORDERING INFORMATION

DDLK 0307	400 V _{DC}	680 pF	- 20 + 50 %	R 2000
-----------	---------------------	--------	-------------	--------



Disclaimer

All product specifications and data are subject to change without notice.

Vishay Intertechnology, Inc., its affiliates, agents, and employees, and all persons acting on its or their behalf (collectively, "Vishay"), disclaim any and all liability for any errors, inaccuracies or incompleteness contained herein or in any other disclosure relating to any product.

Vishay disclaims any and all liability arising out of the use or application of any product described herein or of any information provided herein to the maximum extent permitted by law. The product specifications do not expand or otherwise modify Vishay's terms and conditions of purchase, including but not limited to the warranty expressed therein, which apply to these products.

No license, express or implied, by estoppel or otherwise, to any intellectual property rights is granted by this document or by any conduct of Vishay.

The products shown herein are not designed for use in medical, life-saving, or life-sustaining applications unless otherwise expressly indicated. Customers using or selling Vishay products not expressly indicated for use in such applications do so entirely at their own risk and agree to fully indemnify Vishay for any damages arising or resulting from such use or sale. Please contact authorized Vishay personnel to obtain written terms and conditions regarding products designed for such applications.

Product names and markings noted herein may be trademarks of their respective owners.