

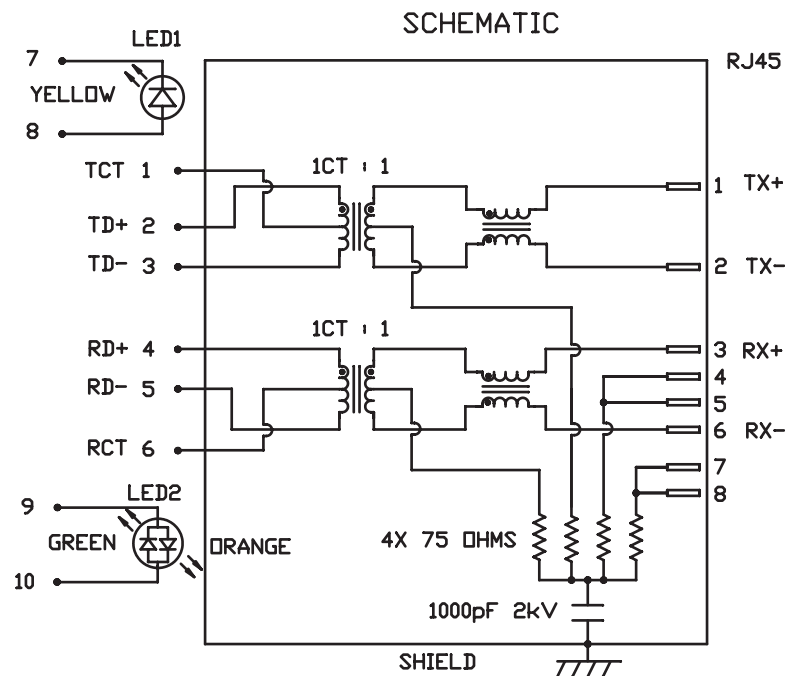
INTEGRATED CONNECTOR MODULES

0810-1X1T-06 10/100Base-TX AutoMDIX Single Port MagJack® with LEDs

| LED1 POLARITY | | | LED2 POLARITY | | |
|---------------|-------|--------|---------------|--------|--------|
| PIN 7 | PIN 8 | COLOR | PIN 9 | PIN 10 | COLOR |
| - | + | YELLOW | + | - | ORANGE |
| | | | - | + | GREEN |

ELECTRICAL CHARACTERISTICS @ 25°C

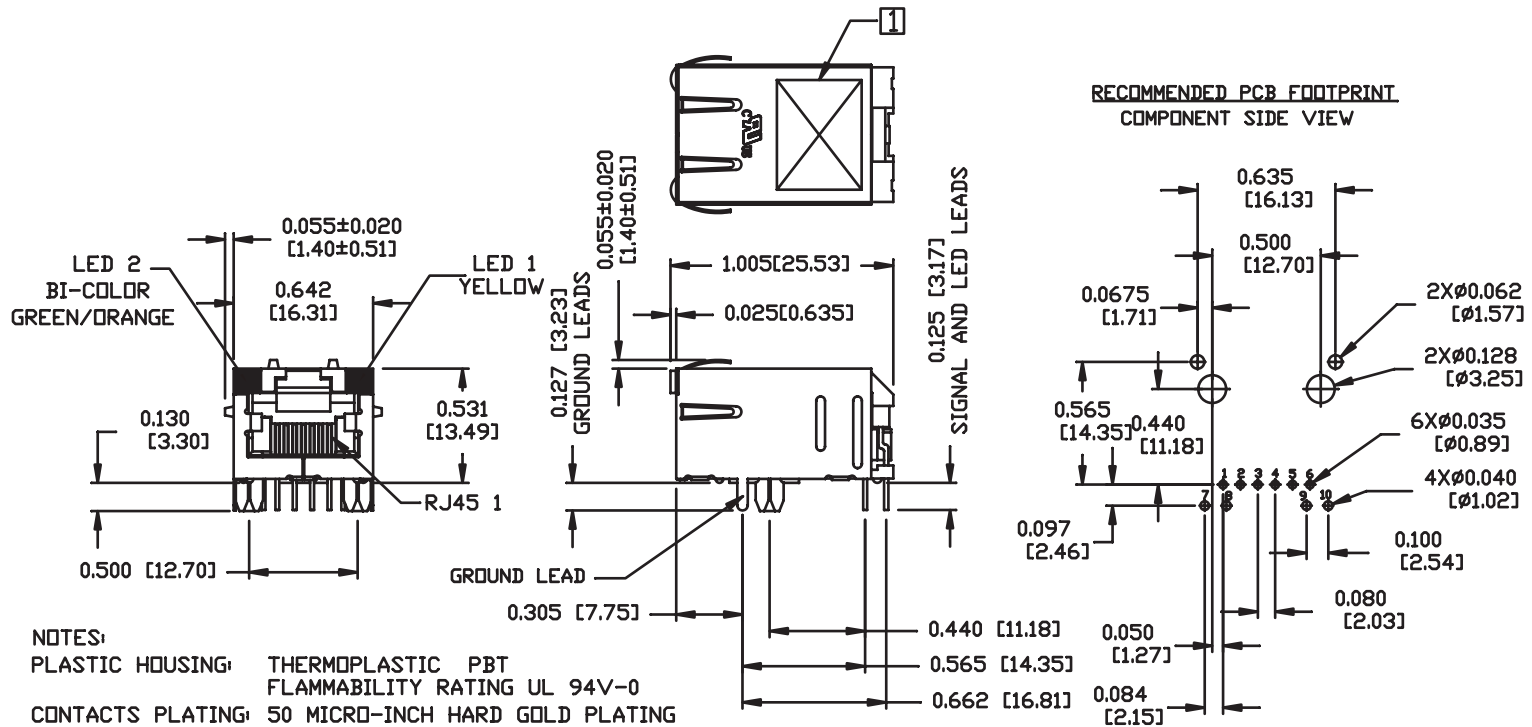
| | |
|---|-----------------------|
| URNS RATIO | |
| TX | 1CT : 1 |
| RX | 1CT : 1 |
| DCL @ 100kHz/100mVRMS | |
| 8mA DC BIAS | 350µH MIN. |
| INS. LOSS | |
| 1MHz TO 100MHz | -1.0 dB MAX |
| RET. LOSS (MIN) | |
| 1MHz-30MHz | -18 dB |
| 30MHz-60MHz | -18+20LOG(F/30MHz) dB |
| 60MHz-80MHz | -12 dB |
| CROSS TALK (TX - RX) | |
| 500kHz-1MHz | -70 dB MIN |
| 10 MHz | -50 dB MIN |
| 30 MHz | -45 dB MIN |
| 50 MHz | -40 dB MIN |
| 100 MHz | -35 dB MIN |
| CM TO CM REJ | |
| 100kHz-1MHz | -70 dB MIN |
| 10 MHz | -47 dB MIN |
| 30 MHz | -42 dB MIN |
| 60 MHz | -37 dB MIN |
| 100 MHz | -30 dB MIN |
| CM TO DM REJ | |
| 100kHz-1MHz | -70 dB MIN |
| 10 MHz | -60 dB MIN |
| 30 MHz | -50 dB MIN |
| 60 MHz | -45 dB MIN |
| 100 MHz | -40 dB MIN |
| HIPOT (Isolation Voltage) | |
| | 1500 Vrms |
| 100% OF PRODUCTION TESTED TO COMPLY WITH IEEE 802.3 ISOLATION REQUIREMENTS. | |
| LED 1 | |
| V _F (FORWARD VOLTAGE) IF=20mA | YELLOW 2.1V TYP. |
| λ _D (DOMINANT WAVELENGTH) IF=20mA | YELLOW 590nm TYP. |
| LED 2 | |
| V _F (FORWARD VOLTAGE) IF=20mA | ORANGE 2.0V TYP. |
| λ _D (DOMINANT WAVELENGTH) IF=20mA | GREEN 2.2V TYP. |
| | ORANGE 610nm TYP. |
| | GREEN 565nm TYP. |



INTEGRATED CONNECTOR MODULES

0810-1X1T-06 10/100Base-TX AutoMDIX Single Port MagJack® with LEDs

MECHANICAL SPECIFICATION



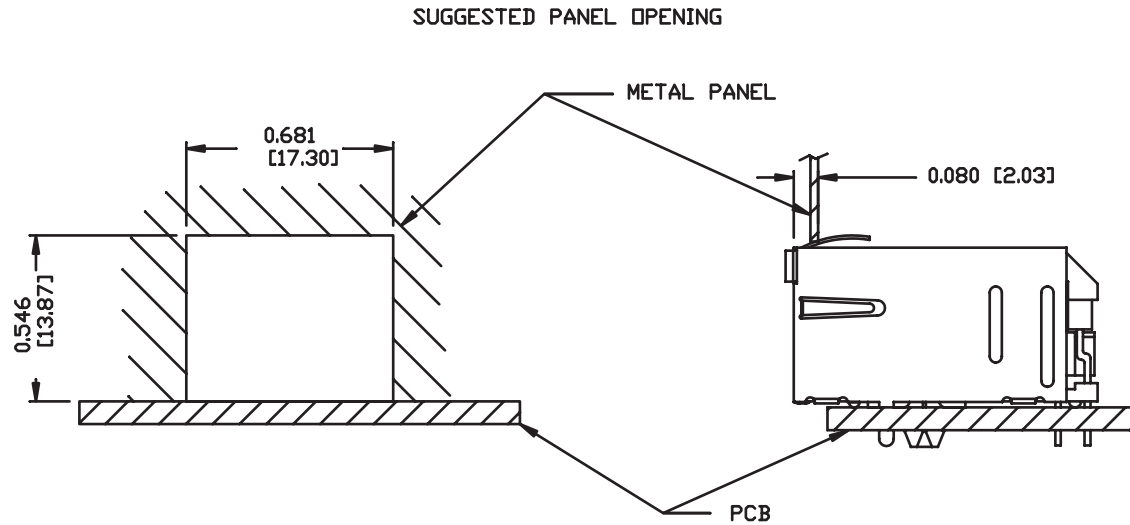
- NOTES:**
- PLASTIC HOUSING: THERMOPLASTIC PBT
FLAMMABILITY RATING UL 94V-0
 - CONTACTS PLATING: 50 MICRO-INCH HARD GOLD PLATING
 - PINS: TIN-COATED COPPER WIRE, DIA 0.018 INCH.
 - METAL SHIELD: NICKEL OR TIN PLATED ON COPPER ALLOY.
(ALL NICKEL PLATED GROUND LEADS ARE SOLDER DIPPED)

1. MARK PART WITH MFG LOGO, MFG NAME, PART NUMBER, AND DATE CODE.

UL RECOGNIZED - FILE #E196366 AND E169987.
ROHS COMPLIANCE, PER EU DIRECTIVE 2002/95/EC

INTEGRATED CONNECTOR MODULES

0810-1X1T-06 10/100Base-TX AutoMDIX Single Port MagJack® with LEDs



THE DISTANCE OF PANEL INSIDE SURFACE RELATIVE TO FRONT SURFACE OF PART IS ONLY A SUGGESTION.
 IN CASE THIS DISTANCE IS DIFFERENT, THE REQUIRED PANEL OPENING DIMENSIONS CHANGE ACCORDINGLY.

PACKING INFORMATION

PACKING TRAY : 0200-9999-D4 (TOP)

0200-9999-D5 (BOTTOM)

PACKING QUANTITY : 60 PCS FINISHED GOODS PER TRAY

11 TRAYS (660 PCS FINISHED GOODS) PER CARTON BOX

NOTE : CARDBOARDS ARE PLACED BETWEEN LAYERS OF PACKING TRAY INSIDE CARTON BOX

(INCLUDE THE UPPERMOST AND LOWERMOST TRAY)