



**Rated inductance 10  $\mu\text{H}$  .. 680  $\mu\text{H}$**

### Construction

- Ferrite core
- Winding: enamel copper wire
- Winding soldered to terminals
- Plastic terminal carrier

### Features

- High rated current
- Low DC resistance
- Suitable for reflow soldering

### Applications

- Filtering of supply voltages
- Coupling / decoupling
- DC/DC converters
- Automotive electronics

### Terminals

- Tinned

### Marking

Marking on component:  
Manufacturer, L value (in  $\mu\text{H}$ ), date code

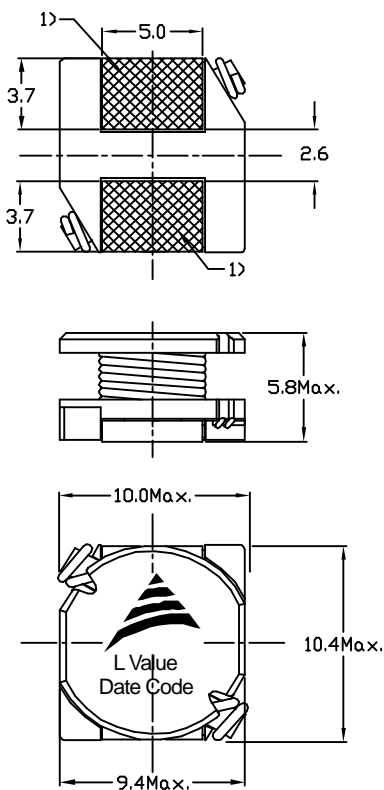
Minimum marking on reel:  
Manufacturer, part number, ordering code,  
L value and tolerance  
quantity, date of packing

### Delivery mode

24–mm blister tape , reel packing  
packaging quantity 500pcs/reel

**General technical data**

|                              |  |
|------------------------------|--|
| Rated inductance $L_R$       | Measured with HP 4284A ,<br>measuring voltage 100 mV   |
| Rated current $I_R$          | Maximum permissible DC with temperature increase<br>of $\leq 40$ K at ambient temperature of $85$ °C |
| Saturation current $I_{sat}$ | Maximum permissible DC with inductance decrease<br>$\Delta L/L_0 \approx 10\%$                       |
| Climatic category            | In accordance with IEC 60068-1 55/125/56<br>(-55 °C/ +125 °C/ 56 days damp heat test)                |
| Solderability                | 5s, 235°C, wetting > 90%   |
| DC resistance $R_{max}$      | Measured at 20 °C ambient temperature  |
| Weight                       | Approx. 1,5g   |

**Dimensional drawing and layout recommendation**


1) Soldering area


**Characteristics and ordering codes**

| $L_R$<br>$\mu\text{H}$ | $f_L$<br>MHz | Tolerance | $I_R$<br>A | $I_{\text{Sat}}$<br>A | $R_{\text{max}}$<br>$\Omega$ | Ordering code  |
|------------------------|--------------|-----------|------------|-----------------------|------------------------------|----------------|
| 10                     | 0,1          | 20 %      | 2,60       | 2,75                  | 0,06                         | B82475-A1103-M |
| 15                     | 0,1          | 20 %      | 2,27       | 2,35                  | 0,08                         | B82475-A1153-M |
| 22                     | 0,1          | 20 %      | 1,95       | 2,00                  | 0,10                         | B82475-A1223-M |
| 33                     | 0,1          | 20 %      | 1,50       | 1,60                  | 0,12                         | B82475-A1333-M |
| 47                     | 0,1          | 10 %      | 1,28       | 1,35                  | 0,17                         | B82475-A1473-K |
| 68                     | 0,1          | 10 %      | 1,11       | 1,20                  | 0,22                         | B82475-A1683-K |
| 100                    | 0,1          | 10 %      | 0,97       | 1,00                  | 0,35                         | B82475-A1104-K |
| 150                    | 0,1          | 10 %      | 0,78       | 0,82                  | 0,47                         | B82475-A1154-K |
| 220                    | 0,1          | 10 %      | 0,66       | 0,70                  | 0,73                         | B82475-A1224-K |
| 330                    | 0,1          | 10 %      | 0,52       | 0,55                  | 1,15                         | B82475-A1334-K |
| 470                    | 0,1          | 10 %      | 0,42       | 0,45                  | 1,48                         | B82475-A1474-K |
| 680                    | 0,1          | 10 %      | 0,28       | 0,30                  | 2,25                         | B82475-A1684-K |