

# HA16341NT/FP, HA16342NT/FP

## Redundant Secondary Switching Power Supply Controller

REJ03F0148-0400  
(Previous: ADE-204-035C)  
Rev.4.00  
Jun 15, 2005

### Description

The HA16341NT/FP and the HA16342NT/FP are switching regulator control ICs for the off-line converters of redundant power supplies.

The HA16342NT/FP is reverse current detection less version of the HA16341NT/FP.

The HA16341NT/FP have the functions of current sharing and hot swap control for redundancy. These functions enable high efficiency and high reliability for switching power supplies.

Combination the HA16341 with the HA16141 is suitable for the redundant AC to DC converters.

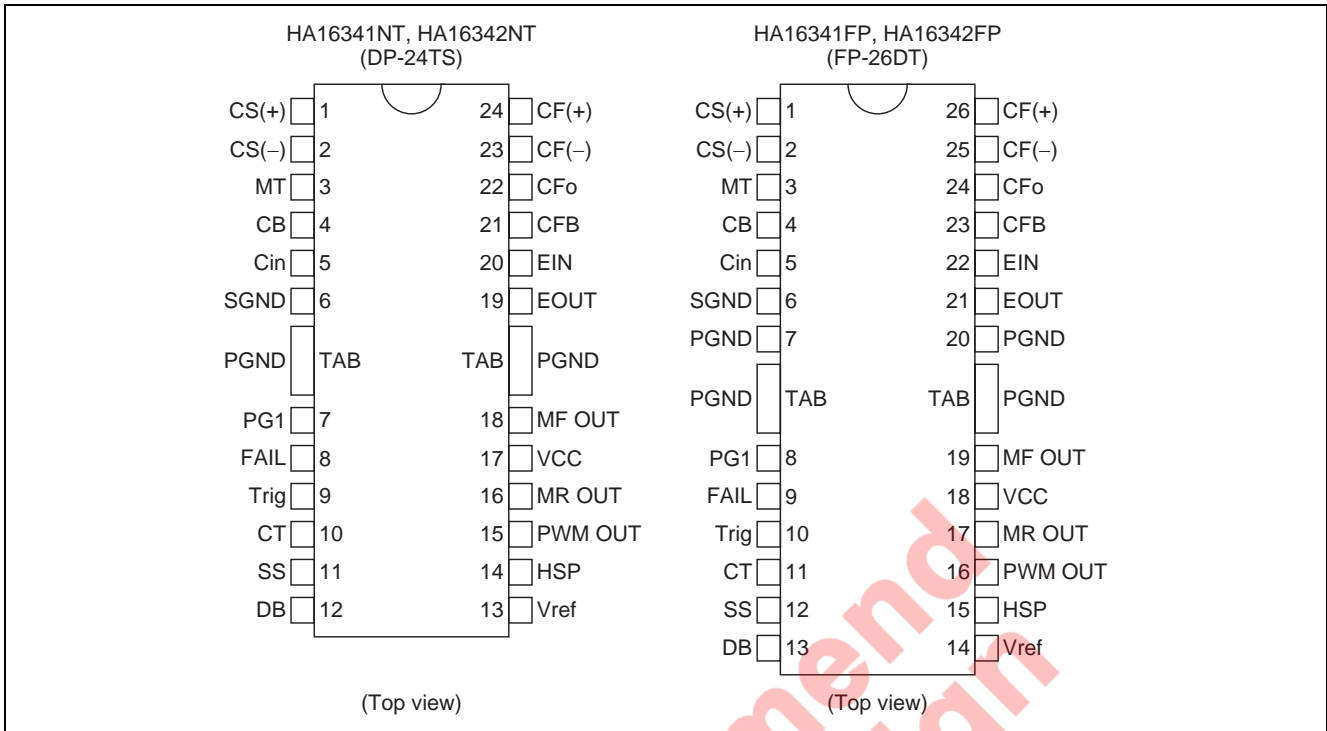
### Features

- Secondary-side synchronous rectification control
- Main switching controller
- Dead-time adjustment for synchronous rectification MOS
- Current share function with line resistance compensation
- Hot swap power MOS FET control
- Remote on/off function, FAIL output function
- Synchronized switching with primary side
- Soft start function
- Maximum duty adjustment
- Overcurrent limiting, overcurrent shutdown functions
- Reverse current detection (only the HA16341NT/FP)
- Light load detection
- OVP function
- VCC pin UVL function

### Ordering Information

Type No.	Package Code
HA16341NT	DP-24TS
HA16342NT	
HA16341FP	FP-26DT
HA16342FP	

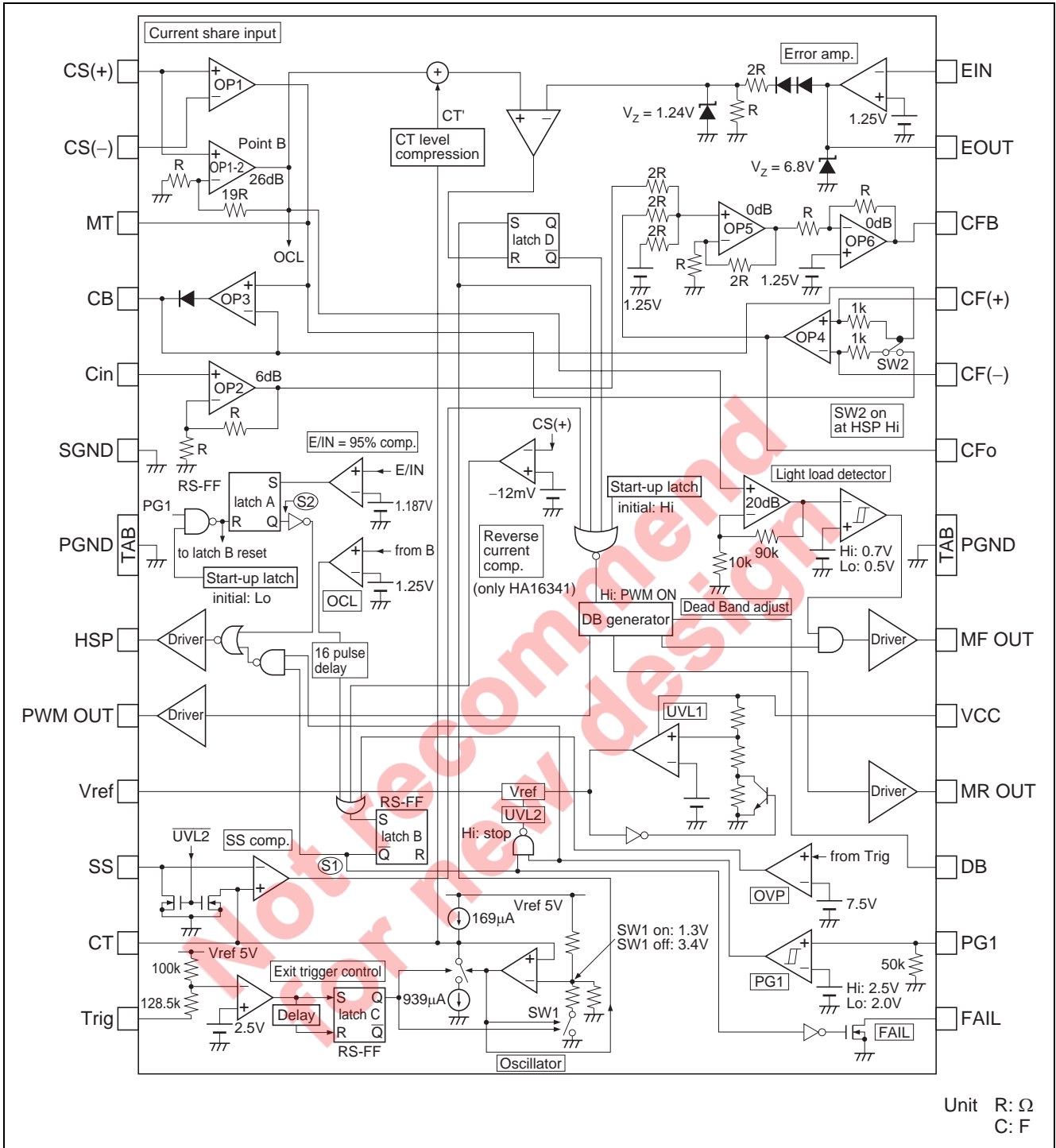
Pin Arrangement



Pin Functions

Pin No.		Symbol	Pin Name
DP-24TS	FP-26DT		
1	1	CS(+)	Current sense amp input (+)
2	2	CS(-)	Current sense amp input (-)
3	3	MT	Current sense amp output
4	4	CB	Current bus output
5	5	Cin	Line resistance compensation input
6	6	SGND	Signal ground
7	8	PG1	Remote on/off
8	9	FAIL	FAIL output (open-drain)
9	10	Trig	External synchronization input
10	11	CT	Timing capacitance
11	12	SS	Soft start
12	13	DB	Dead band
13	14	Vref	Vref (5 V)
14	15	HSP	Hot swap output
15	16	PWM OUT	PWM output
16	17	MR OUT	MR output
17	18	VCC	Power supply voltage
18	19	MF OUT	MF output
19	21	EOUT	Error amp output
20	22	EIN	Error amp input
21	23	CFB	Current share feedback output
22	24	CFo	Current share differential amp output
23	25	CF(-)	Current share differential amp input (-)
24	26	CF(+)	Current share differential amp input (+)
TAB	TAB, 7, 20	PGND	Power ground

Block Diagram



## Absolute Maximum Ratings

(Ta = 25°C)

Item	Symbol	Ratings	Unit	Note
Supply Voltage	VCC	18	V	
DC output current1	Io1	±0.1	A	PWM OUT *1
Peak output current1	Iopeak1	±1.0	A	PWM OUT *2
DC output current2	Io2	±0.2	A	MF OUT *1
Peak output current2	Iopeak2	±2.0	A	MF OUT *2
DC output current3	Io3	±0.1	A	MR OUT *1
Peak output current3	Iopeak3	±1.0	A	MR OUT *2
DC output current4	Io4	–	mA	CB OUT
DC output current5	Io5	±500	μA	CFB OUT
DC output current6	Io6	20	mA	FAIL OUT
DC output current7	Io7	–5.0	mA	Vref OUT
Peak output current4	Iopeak4	0.5	A	HSP sink
DC output current8	Io8	±500	μA	MT OUT
DC output current9	Io9	±500	μA	CFo OUT
DC output current10	Io10	6	mA	EOUT sink
TRIG terminal voltage	Vtrigmax	–1.5 to VCC	V	
CT terminal voltage	VCTmax	–0.3 to Vref	V	
Vref terminal voltage	Vrefmax	–0.3 to Vref	V	
SS terminal voltage	Vssmax	–0.3 to Vref	V	
EIN terminal voltage	VEINmax	–0.3 to Vref	V	
EOUT terminal voltage	VEOUTmax	–0.3 to VCC	V	
PG1 terminal voltage	VPG1max	–0.3 to Vref	V	
FAIL terminal voltage	VFAILmax	–0.3 to VCC	V	
PWM OUT terminal voltage	VoPWMmax	–0.3 to VCC	V	
MR OUT terminal voltage	VoMRmax	–0.3 to VCC	V	
MF OUT terminal voltage	VoMFmax	–0.3 to VCC	V	
HSP terminal voltage	VoHSPmax	–0.3 to VCC	V	
CFB terminal voltage	VCFBmax	–0.3 to Vref	V	
CS(+) terminal voltage	VCS(+ )max	–0.3 to Vref	V	
CS(–) terminal voltage	VCS(–)max	–0.3 to Vref	V	
MT terminal voltage	VMTmax	–0.3 to Vref	V	
Cin terminal voltage	VCinmax	–0.3 to Vref	V	

Notes: 1.  $V_{DS} = 10\text{ V max.}$  Therefore test condition must be  $V_{OH} = V_{CC} - 10\text{ V or over}$ ,  $V_{OL} = 10\text{ V or under.}$

2.  $V_{DS} = 10\text{ V max.}$  Pulse duration  $\leq 10\text{ ms}$

**Absolute Maximum Ratings (cont.)**

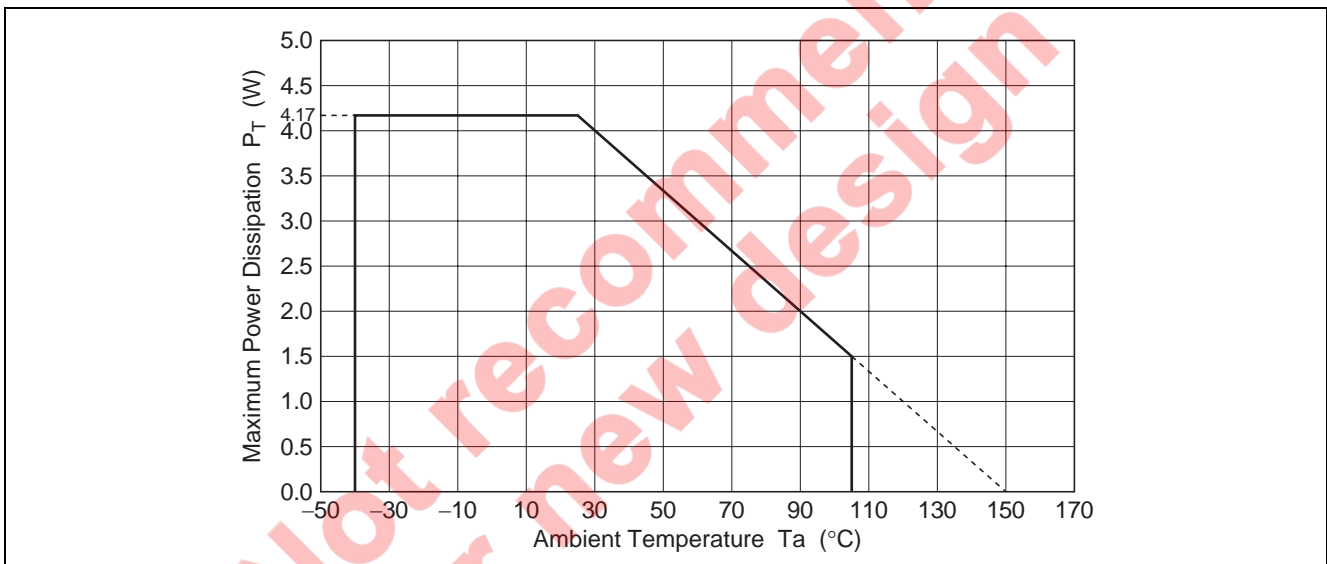
(Ta = 25°C)

Item	Symbol	Ratings	Unit	Note
CF(+) terminal voltage	VCF(+) <sub>max</sub>	-0.3 to Vref	V	
CF(-) terminal voltage	VCF(-) <sub>max</sub>	-0.3 to Vref	V	
CFo terminal voltage	VCFo <sub>max</sub>	-0.3 to Vref	V	
CB terminal voltage	VCB <sub>max</sub>	-0.3 to Vref	V	
DB terminal voltage	VDB <sub>max</sub>	-0.3 to Vref	V	
Maximum power dissipation	P <sub>T</sub>	4.17	W	1
Operating temperature	T <sub>opr</sub>	-40 to +105	°C	
Storage temperature	T <sub>stg</sub>	-55 to +150	°C	
Junction temperature	T <sub>j</sub>	150	°C	

Note: 1. This is allowable value up to Ta = 25°C.

Derate by  $\theta_{j-a} = 30^\circ\text{C/W}$  above that temperature.

$\theta_{j-a} = 30^\circ\text{C/W}$  is the case that HA16341NT is mounted on 30% wiring density glass epoxy board (105 mm × 76.2 mm × 1.6 mm) and HA16341FP is mounted on a board which thermal resistance is 23°C/W because of  $\theta_{j-pin}(\text{SOP}) = 7^\circ\text{C/W}$  typ.



## Electrical Characteristics

( $T_a = 25^\circ\text{C}$ ,  $V_{CC} = 12\text{V}$ ,  $PG1 = 3\text{V}$ ,  $V_{\text{trig}} = 0\text{V}$ ,  $V_{CS(+)} = 0\text{V}$ ,  $V_{Cin} = 0\text{V}$ ,  $CCT = 330\text{pF}$ ,  $GvOP1 = 26\text{dB}$ ,  $GvOP4 = 40\text{dB}$ ,  $RDB = 1.8\text{k}\Omega$ )

- Current share

Item	Symbol	Min	Typ	Max	Unit	Test Conditions	Note
CB output Hi voltage	VCBH	2.5	–	–	V	$I_{\text{source}} = 300\mu\text{A}$ $V_{CS(+)} = 1\text{V}$	
CB output Lo voltage	VCBL	–	–	25	mV	$V_{CS(+)} = 0\text{V}$ , $RCB = 10\text{k}\Omega$	
CFB output Lo voltage	VCFBL	–	–	100	mV	$I_{\text{sink}} = 100\mu\text{A}$ , HSP ON $V_{CS(+)} = 0\text{V}$ , $VCB = 0.1\text{V}$	
CFB output typ voltage	VCFBtyp	1.19	1.25	1.31	V	$V_{CS(+)} = 0\text{V}$ , $VCB = 0\text{V}$ $R_{fOP4} = 1\text{k}\Omega$ , HSP ON	
OP1 input offset voltage	VioOP1	–	–	(1)	mV		1
CS(+) input bias current	libCS(+)	–	–20	–30	$\mu\text{A}$	$V_{CS(+)} = 0\text{V}$ , $V_{CS(-)} = 0\text{V}$	
CS(–) input bias current	libCS(–)	–	0.2	1.0	$\mu\text{A}$	$V_{CS(+)} = 0\text{V}$ , $V_{CS(-)} = 0\text{V}$	
Cin input bias current	libCin	–	0.2	1.0	$\mu\text{A}$	$V_{cin} = 0\text{V}$	
OP4 input resistance	Rsin	0.75	1.00	1.25	$\text{k}\Omega$		1, 2
Open loop gain OP1–OP6	Avo	(70)	80	–	dB		1
Band width OP1–OP6	BWCS	–	700	–	kHz		1
OCL detector threshold voltage	VthOCL	59.5	62.5	65.5	mV	CS(+) terminal voltage sensing	
Light load detector threshold Hi voltage	VthHLL	(2.0)	3.5	(5.0)	mV	CS(+) terminal voltage sensing	1
Light load detector threshold Lo voltage	VthLLL	(1.0)	2.5	(4.0)	mV	CS(+) terminal voltage sensing	1
VthLL hysteresis	dVthLL	(0.5)	1.0	(1.5)	mV		1
Reverse current detector threshold Hi voltage	VthRC	–6	–12	–18	mV	CS(+) terminal voltage sensing	3

- Notes: 1. Design spec.  
2. Temperature coefficient is 5400ppm/°C.  
3. Only HA16341NT/FP.

- Hot swap

Item	Symbol	Min	Typ	Max	Unit	Test Conditions	Note
HSP ON threshold voltage	VthHSP	1.14	1.19	1.23	V	95% typ of reference 1.25V	
HSP charge current	IcHSP	–7	–10	–13	$\mu\text{A}$	$V_{HSP} = 5\text{V}$ , $V_{EIN} = 2\text{V}$	
HSP output Lo voltage	VOLHSP	–	0.3	0.6	V	$V_{EIN} = 1\text{V}$ , $I_{\text{sink}} = 50\text{mA}$	

**Electrical Characteristics (cont.)**

( $T_a = 25^\circ\text{C}$ ,  $V_{CC} = 12\text{V}$ ,  $PG1 = 3\text{V}$ ,  $V_{trig} = 0\text{V}$ ,  $V_{CS(+)} = 0\text{V}$ ,  $V_{Cin} = 0\text{V}$ ,  $CCT = 330\text{pF}$ ,  $GvOP1 = 26\text{dB}$ ,  
 $GvOP4 = 40\text{dB}$ ,  $RDB = 1.8\text{k}\Omega$ )

## • Oscillator

Item	Symbol	Min	Typ	Max	Unit	Test Conditions	Note
Typical oscillating frequency	fosc <sub>typ</sub>	180	200	220	kHz		±10%
Maximum oscillating frequency	fosc <sub>max</sub>	400	–	–	kHz		
Typical oscillating temperature stability	dfosc	–	±5	–	%	$-20^\circ\text{C} < T_a < 85^\circ\text{C}$	1
CT charge current	I <sub>ci</sub>	–135	–169	–203	μA		±20%
CT discharge current	I <sub>cd</sub>	616	770	924	μA		±20%
Upper trip point	V <sub>thCTH</sub>	–	3.4	–	V		2
Lower trip point	V <sub>thCTL</sub>	–	1.3	–	V		
Amplitude	dVCT	–	2.1	–	V		
Exit trigger V <sub>th</sub>	V <sub>thtrig</sub>	–0.3	–0.5	–0.7	V		

Notes: 1. Design spec.

2. In case of external trigger control, CCT should be changed from 330 pF to 430 pF.

At this synchronous and 430 pF CCT condition V<sub>thCTH</sub> becomes about 2.9 V.

• V<sub>ref</sub>

Item	Symbol	Min	Typ	Max	Unit	Test Conditions	Note
Reference voltage	V <sub>ref</sub>	4.9	5.0	5.1	V	I <sub>osource</sub> = 1mA	±2%
Line regulation	V <sub>ref-line</sub>	–	5	20	mV	I <sub>osource</sub> = 1mA 12V < V <sub>CC</sub> < 18V	
Load regulation	V <sub>ref-load</sub>	–	5	20	mV	0 < I <sub>osource</sub> < 3mA	
Temperature stability	dV <sub>ref</sub>	–	80	–	ppm/°C	$-20^\circ\text{C} < T_a < 85^\circ\text{C}$	1

Note: 1. Design spec.

## • UVL

Item	Symbol	Min	Typ	Max	Unit	Test Conditions	Note
Hi threshold voltage	V <sub>H</sub>	9.5	10.0	10.5	V		
Lo threshold voltage	V <sub>L</sub>	8.5	9.0	9.5	V		
Hysteresis	dV <sub>UVL</sub>	0.6	1.0	1.4	V		

**Electrical Characteristics (cont.)**

(Ta = 25°C, V<sub>CC</sub> = 12V, PG1 = 3V, V<sub>trig</sub> = 0V, V<sub>Cs(+)</sub> = 0V, V<sub>Cin</sub> = 0V, CCT = 330pF, GvOP1 = 26dB, GvOP4 = 40dB, RDB = 1.8kΩ)

• PG1

Item	Symbol	Min	Typ	Max	Unit	Test Conditions	Note
PG1 threshold Hi voltage	VthHPG1	2.4	2.5	2.6	V		
PG1 threshold Lo voltage	VthLPG1	1.9	2.0	2.1	V		
Input impedance	RinPG1	(37.5)	50.0	(62.5)	kΩ		1

Note: 1. Design spec.

• FAIL

Item	Symbol	Min	Typ	Max	Unit	Test Conditions	Note
Leak current	IleakFAIL	–	–	–10	μA	V <sub>FAIL</sub> = 5V	
Output Lo voltage	VOLFAIL	–	–	0.5	V	I <sub>osink</sub> = 10mA	

• Error amp.

Item	Symbol	Min	Typ	Max	Unit	Test Conditions	Note
Input threshold voltage	VthEIN	1.23	1.25	1.27	V	VEOUT = 1.25V	±1.6%
Input bias current	I <sub>ib</sub> EIN	–	–0.2	–2.0	μA	VEIN = 2V	
Open loop gain	A <sub>vo</sub> EA	60	80	–	dB		
Band width	BWEA	(0.7)	1.4	–	MHz		1
EOUT sink current	I <sub>osink</sub> EA	0.5	5.0	–	mA	VEIN = 1.5V, EOUT = 1.1V	
EOUT source current	I <sub>osource</sub> EA	–100	–250	–	μA	VEIN = 1.0V, EOUT = 5V	
EOUT clamp voltage	VOHEA	5.8	6.8	7.8	V	VEIN = 1.0V	
EOUT Lo voltage	VOLEA	–	–	1.0	V	VEIN = 1.5V, I <sub>osink</sub> = 200μA	

Note: 1. Design spec.

• PWM OUT

Item	Symbol	Min	Typ	Max	Unit	Test Conditions	Note
Output Lo voltage	VOLPWM	–	0.2	0.4	V	I <sub>osink</sub> = 100mA	
Output Hi voltage	VOHPWM	V <sub>CC</sub> –0.4	V <sub>CC</sub> –0.2	–	V	I <sub>osource</sub> = 100mA	
Rise time	t <sub>r</sub> PWM	20	50	100	ns	CL = 3300pF	
Fall time	t <sub>f</sub> PWM	20	50	100	ns	CL = 3300pF	
Maximum duty	D <sub>max</sub>	58	65	72	%	V <sub>SS</sub> = 4V, VEIN = 1.0V	
Minimum duty	D <sub>min</sub>	–	–	0	%	V <sub>SS</sub> = 4V, VEIN = 1.5V	

Note: 1. Design spec.



**Electrical Characteristics (cont.)**

(Ta = 25°C, V<sub>CC</sub> = 12V, PG1 = 3V, V<sub>trig</sub> = 0V, V<sub>CS(+)</sub> = 0V, V<sub>Cin</sub> = 0V, CCT = 330pF, GvOP1 = 26dB, GvOP4 = 40dB, RDB = 1.8kΩ)

• MR OUT

Item	Symbol	Min	Typ	Max	Unit	Test Conditions	Note
Output Lo voltage	VOLMR	–	0.2	0.4	V	I <sub>osink</sub> = 100mA	
Output Hi voltage	VOHMR	V <sub>CC</sub> –0.4	V <sub>CC</sub> –0.2	–	V	I <sub>osource</sub> = 100mA	
Rise time	trMR	20	50	100	ns	CL = 3300pF	
Fall time	tfMR	20	50	100	ns	CL = 3300pF	

• MF OUT

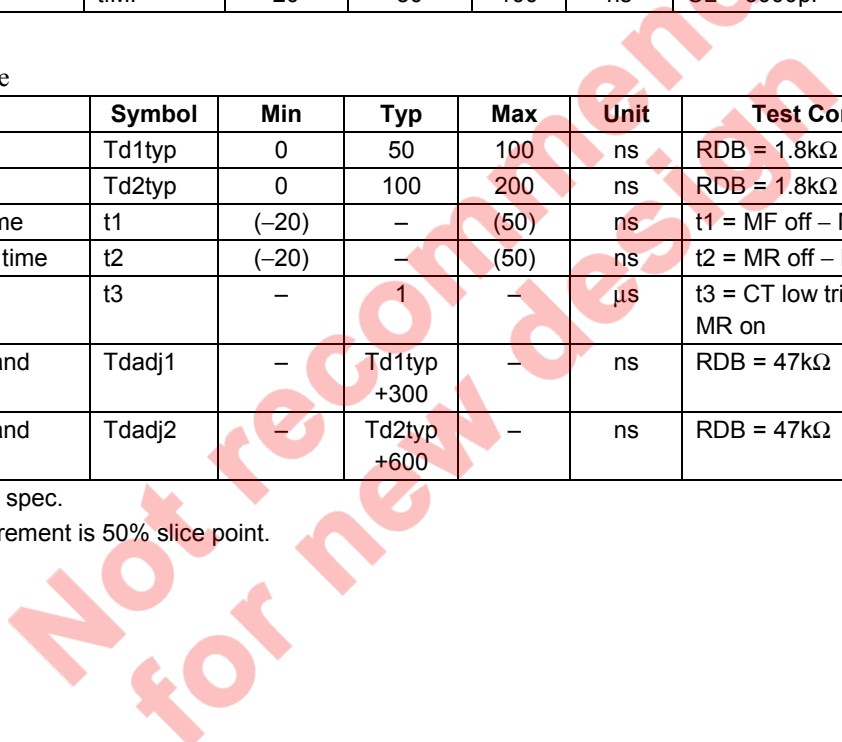
Item	Symbol	Min	Typ	Max	Unit	Test Conditions	Note
Output Lo voltage	VOLMF	–	0.2	0.4	V	I <sub>osink</sub> = 200mA	
Output Hi voltage	VOHMF	V <sub>CC</sub> –0.4	V <sub>CC</sub> –0.2	–	V	I <sub>osource</sub> = 200mA	
Rise time	trMF	20	50	100	ns	CL = 6000pF	
Fall time	tfMF	20	50	100	ns	CL = 6000pF	

• Dead band time

Item	Symbol	Min	Typ	Max	Unit	Test Conditions	Note
Dead band time1	Td1typ	0	50	100	ns	RDB = 1.8kΩ	
Dead band time2	Td2typ	0	100	200	ns	RDB = 1.8kΩ	
MR to MF delay time	t1	(–20)	–	(50)	ns	t1 = MF off – MR on	1
PWM to MR delay time	t2	(–20)	–	(50)	ns	t2 = MR off – PWM off	1
MR delay time	t3	–	1	–	μs	t3 = CT low trip point – MR on	1
Maximum Dead band adjust time1	Tdadj1	–	Td1typ +300	–	ns	RDB = 47kΩ	1
Maximum Dead band adjust time2	Tdadj2	–	Td2typ +600	–	ns	RDB = 47kΩ	1

Note: 1. Design spec.

Measurement is 50% slice point.



**Electrical Characteristics (cont.)**

( $T_a = 25^\circ\text{C}$ ,  $V_{CC} = 12\text{V}$ ,  $\text{PG1} = 3\text{V}$ ,  $V_{\text{trig}} = 0\text{V}$ ,  $V_{\text{CS}(+)} = 0\text{V}$ ,  $V_{\text{Cin}} = 0\text{V}$ ,  $\text{CCT} = 330\text{pF}$ ,  $\text{GvOP1} = 26\text{dB}$ ,  
 $\text{GvOP4} = 40\text{dB}$ ,  $\text{RDB} = 1.8\text{k}\Omega$ )

- SS

Item	Symbol	Min	Typ	Max	Unit	Test Conditions	Note
SS sink current	$I_{\text{dss}}$	500	–	–	$\mu\text{A}$	$\text{PG1} = 2\text{V}$ , $\text{VSS} = 2\text{V}$	

- OVP

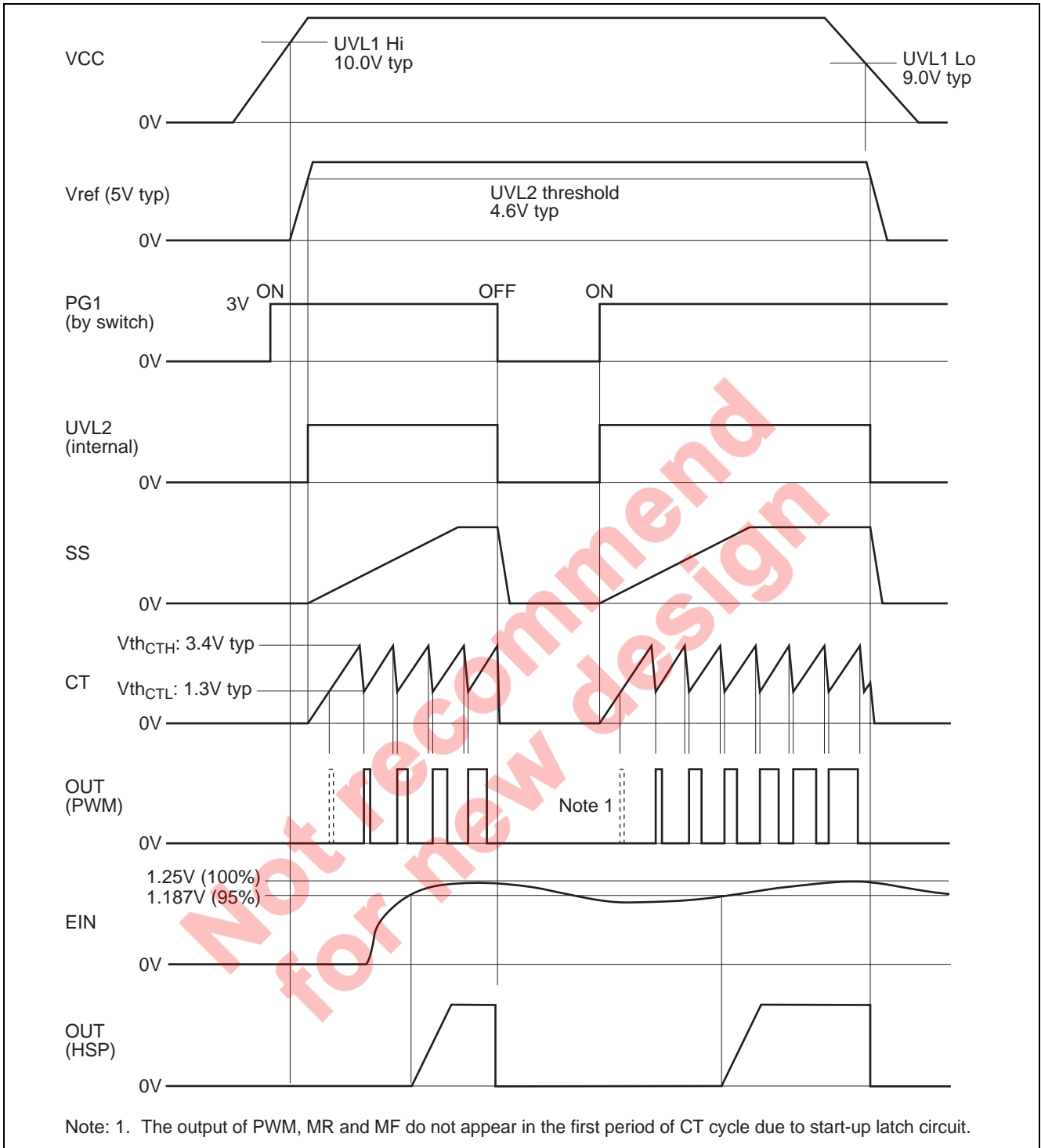
Item	Symbol	Min	Typ	Max	Unit	Test Conditions	Note
OVP latch voltage	$V_{\text{OVP}}$	6.5	7.5	8.5	V		

- Current consumption

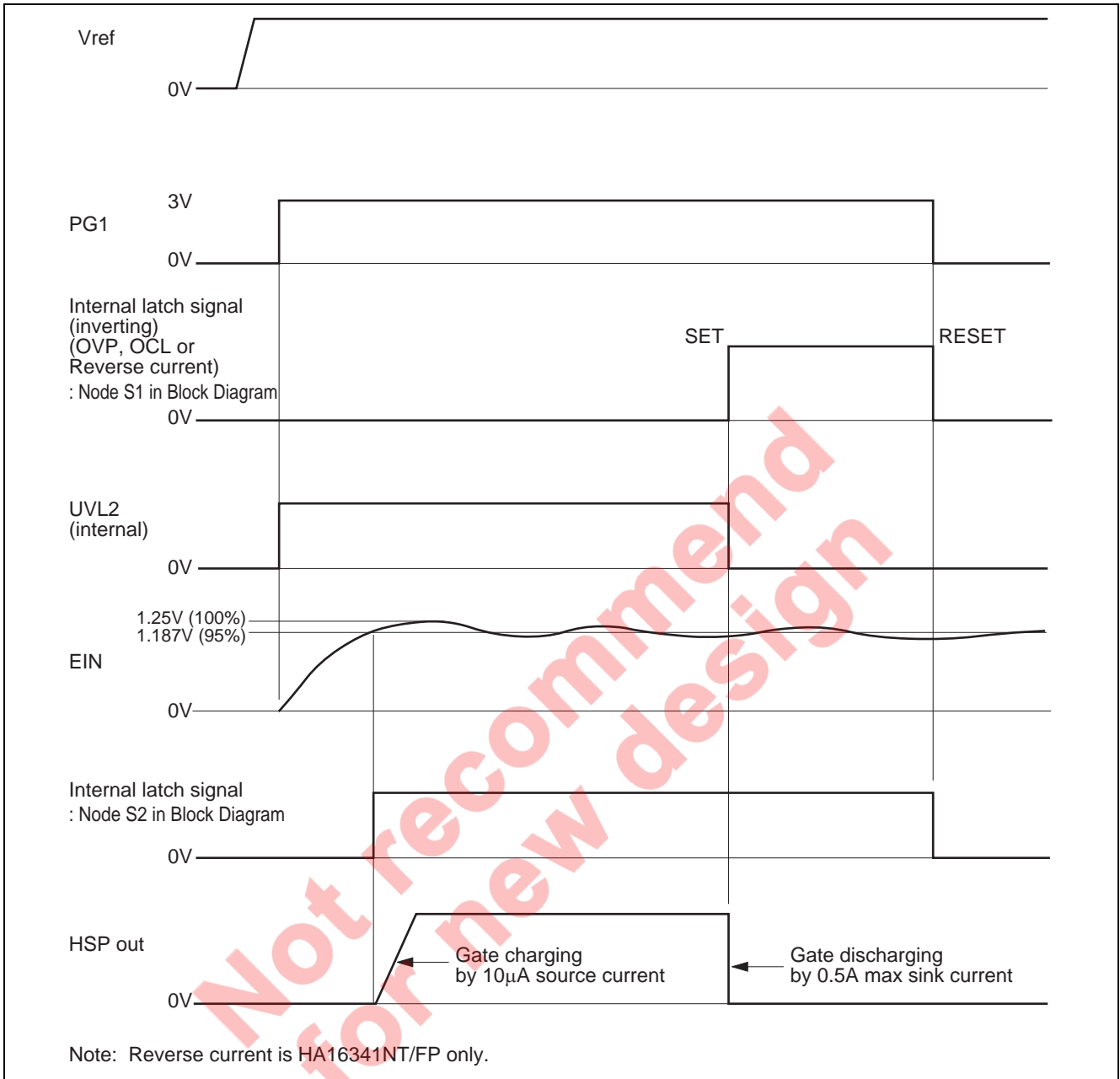
Item	Symbol	Min	Typ	Max	Unit	Test Conditions	Note
Operating current	$I_{\text{CC}}$	5.4	7.4	9.4	mA	$V_{\text{CT}} = 1\text{V}$	
Standby current	$I_{\text{STBY}}$	–	200	600	$\mu\text{A}$	$V_{\text{CC}} = 8\text{V}$ , $\text{PG1} = 0\text{V}$	

Not recommended for new design

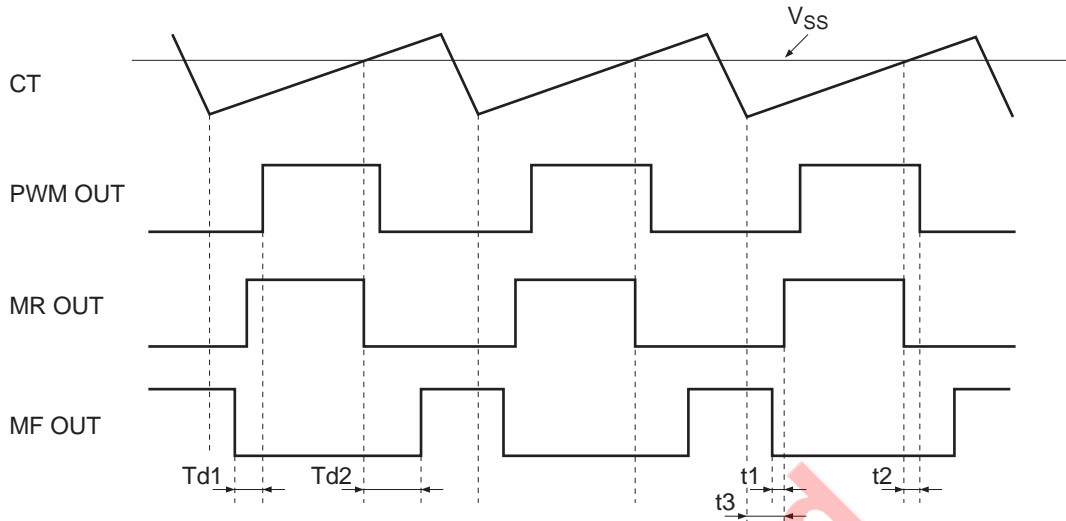
Timing Chart 1 (Total)



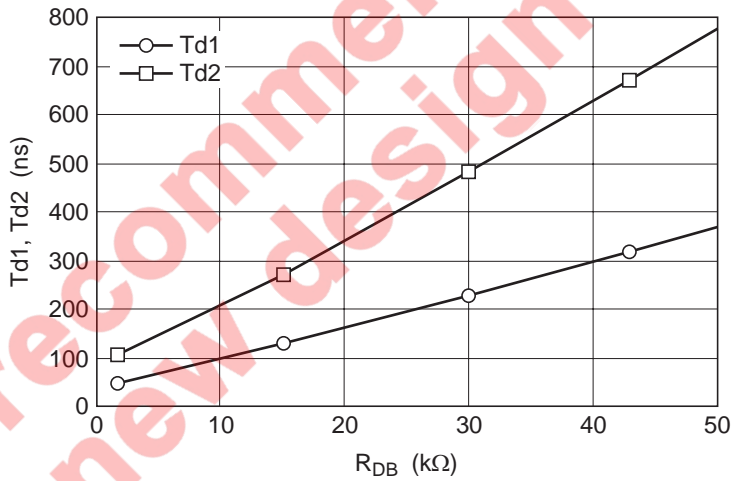
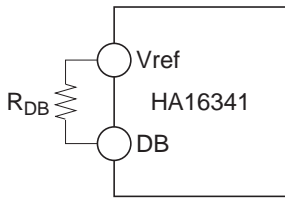
Timing Chart 2 (Hot Swap)



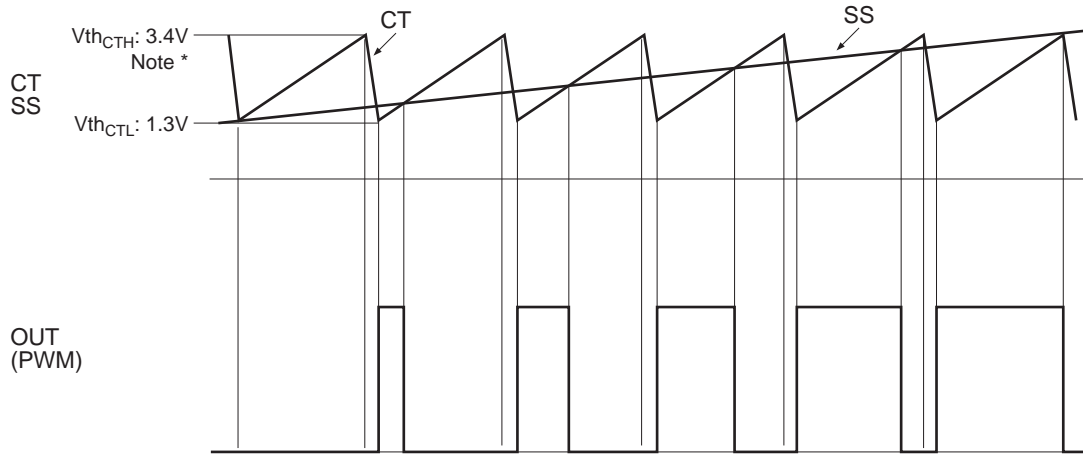
Timing Chart 3 (Dead Band Control)



Note:  $V_{SS}$  determines maximum duty. This waveform example shows the case of  $E_{IN} = Lo$ .  
 $V_{SS}$ : Voltage of SS pin



Timing Chart 4 (Soft Start)



Note: Self-oscillation:  $V_{thCTH} = 3.4V$  typ  
 Synchronized operation:  $V_{thCTH} = 2.9V$  typ

Case  $V_{HSS} \geq V_{thCTH}$   
 Maximum duty would be the value specified in page 9.

Case  $V_{HSS} < V_{thCTH}$   
 Maximum duty decrease to the corresponding value.

Please refer to formula 1 as design value of maximum duty.

Max duty =  $(t_{ss} - 0.63\mu s - Td1) \times$  Operating frequency . . . . Formula 1

$$t_{ss} = \frac{C_{CT}}{I_{ci}} (V_{HSS} - V_{thCTL})$$

- $I_{ci}$  : CT charge current
- $C_{CT}$  : CT terminal capacitor
- $V_{thCTH}$  : CT upper trip point
- $V_{thCTL}$  : CT lower trip point

Select values R1, R2 and C1 for suitable maximum duty and SS time constant.

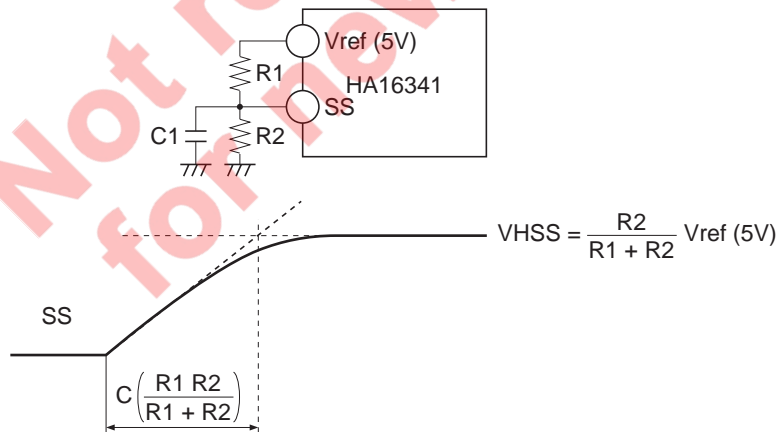
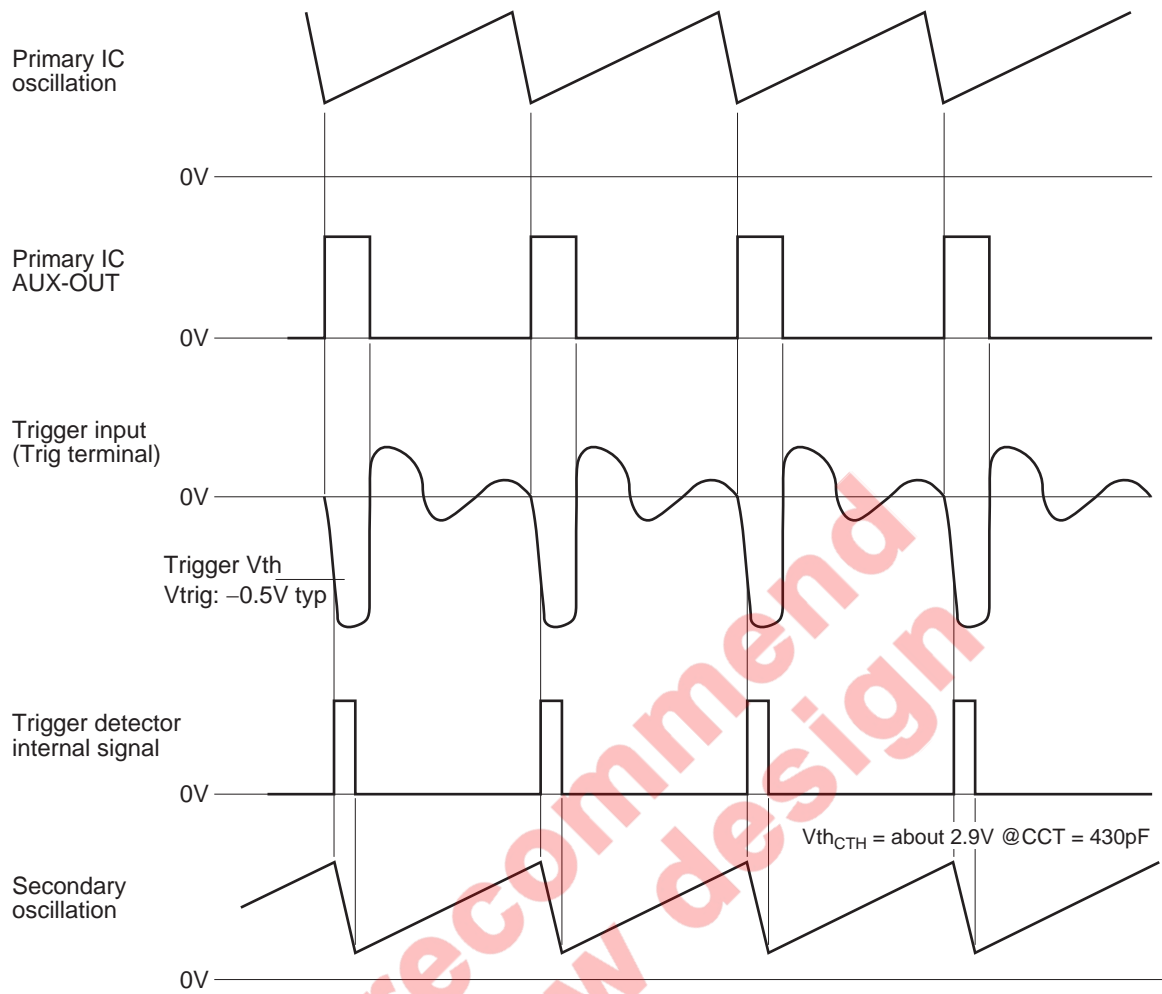


Figure A. SS Terminal Application

Timing Chart 5 (External Trigger Control)



This IC is triggered by negative pulse.  
 R1 and R2 must be calculated including internal impedance of 230kΩ.

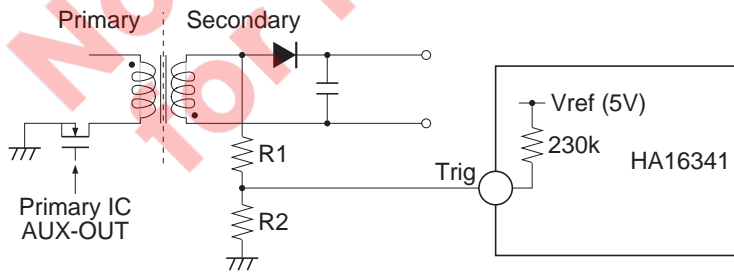
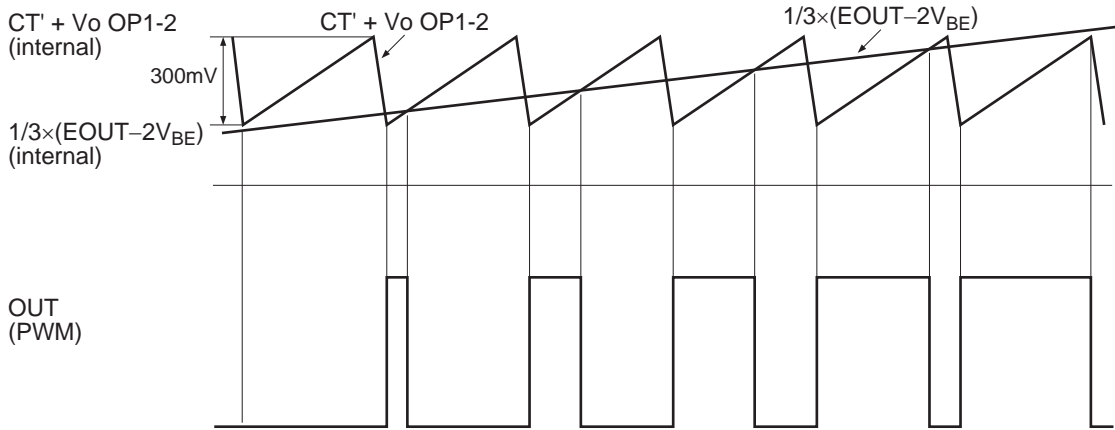


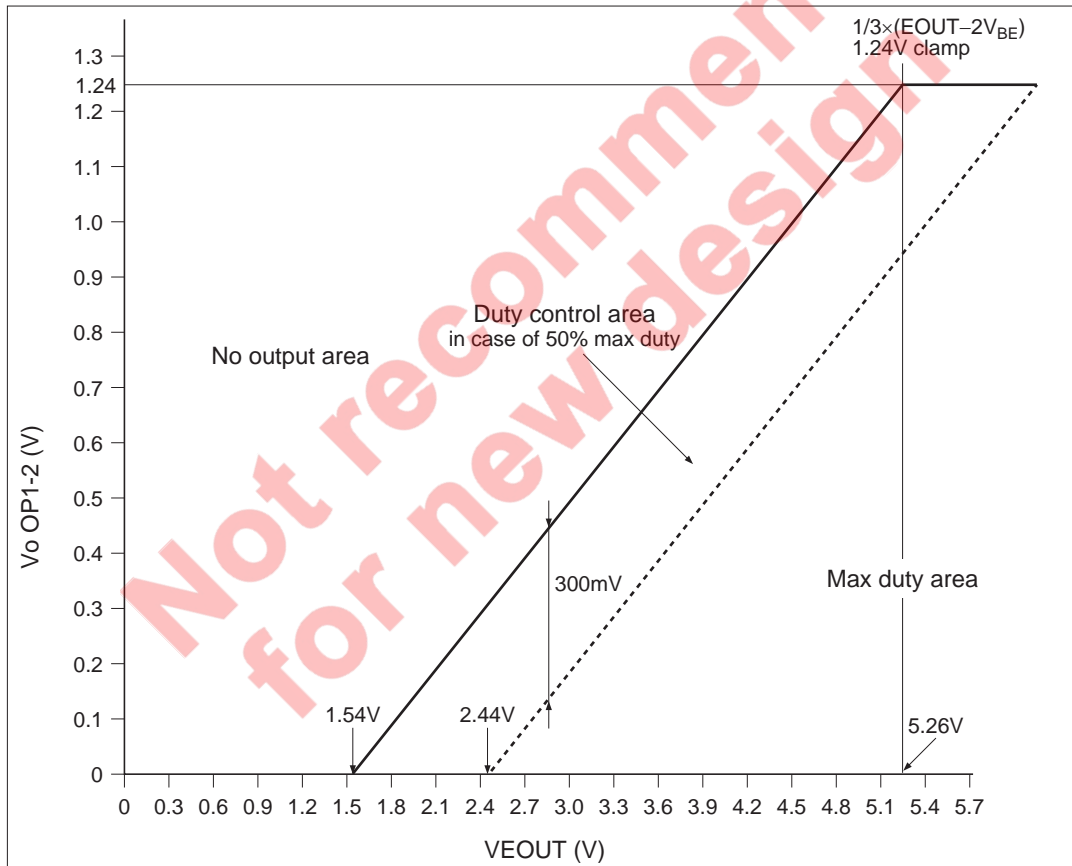
Figure B. External Trigger Application

Timing Chart 6 (Duty Control)



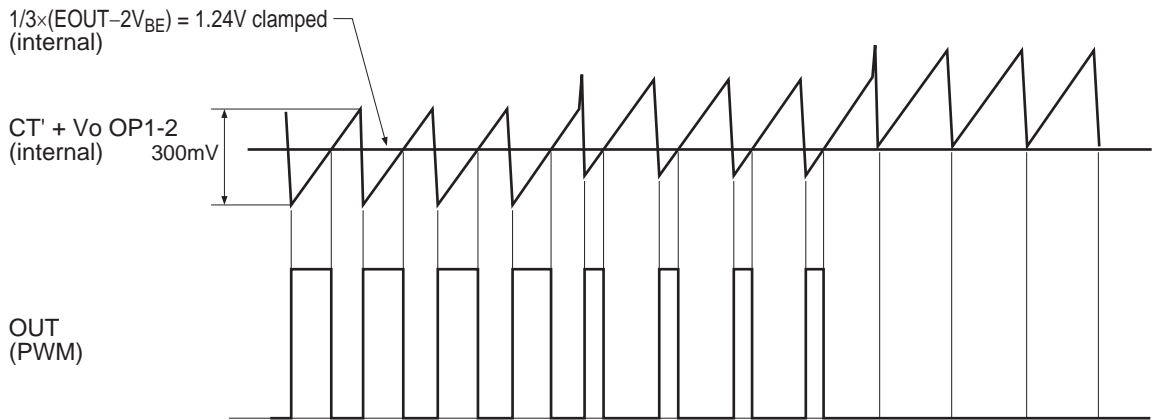
$$CT' = \frac{CT}{5.33}$$

The amplitude of  $CT'$  is 300mV typ at synchronous operation with trigger frequency as 200kHz and  $C_{CT} = 430\text{pF}$ .



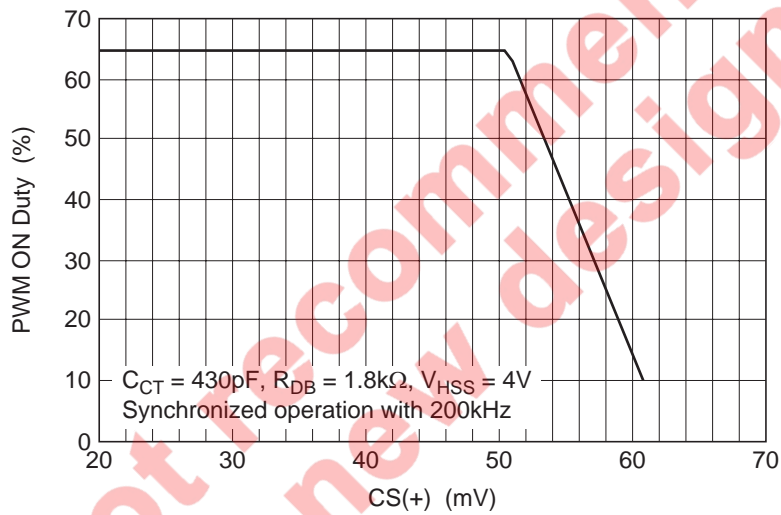


**Timing Chart 7 (Current Limiting)**

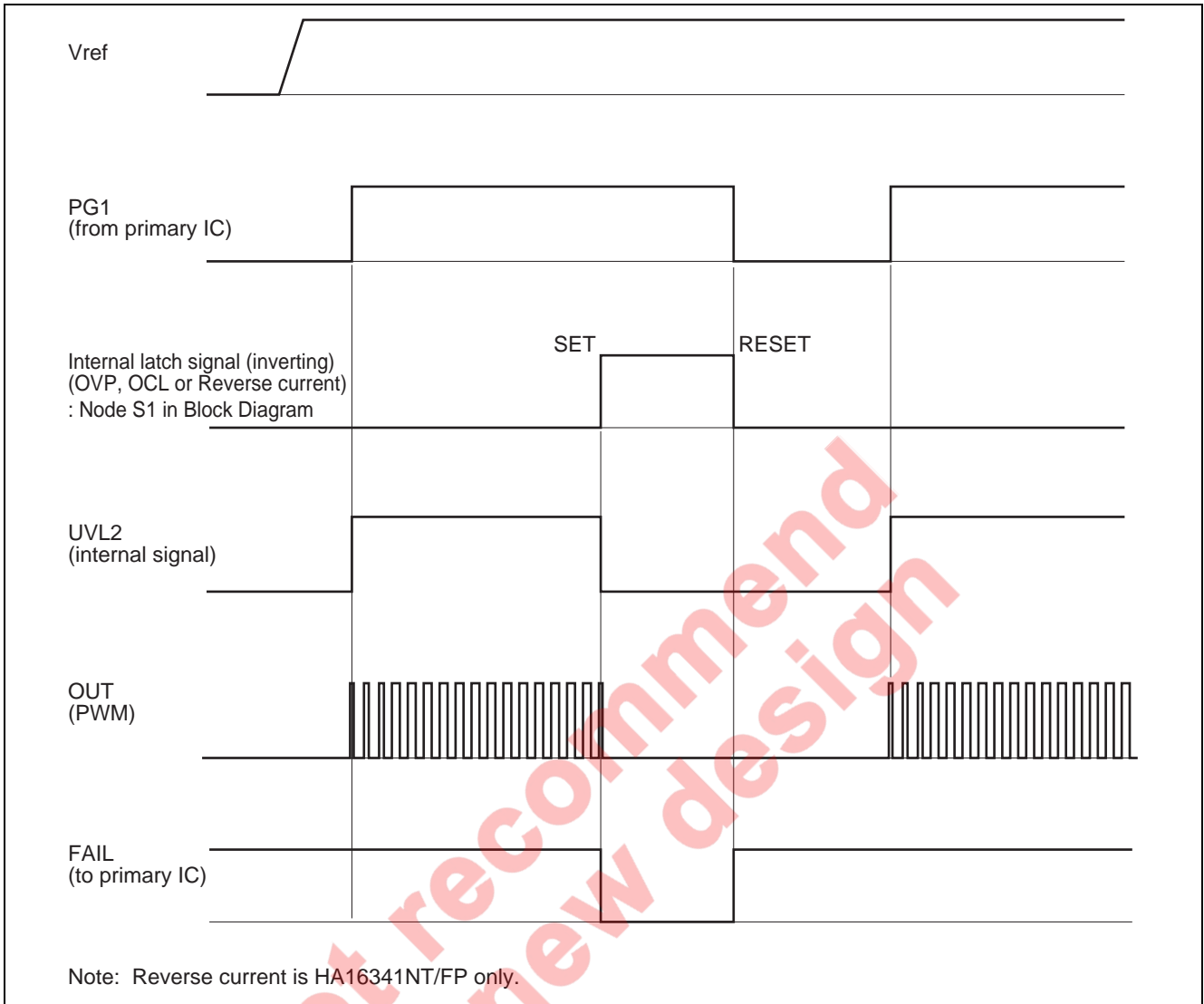


$$CT' = \frac{CT}{5.33}$$

The amplitude of CT' is 300mV typ at synchronous operation with trigger frequency as 200kHz and  $C_{CT} = 430\text{pF}$ .

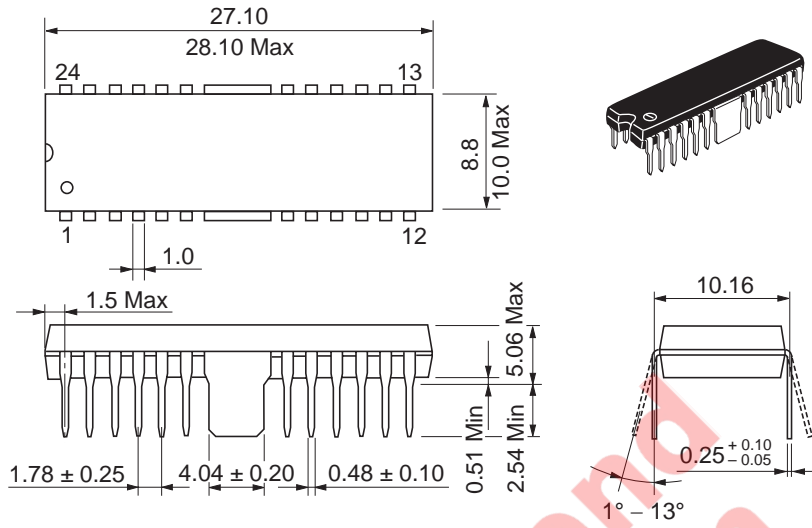


Timing Chart 8 (Interface with Primary Control IC)



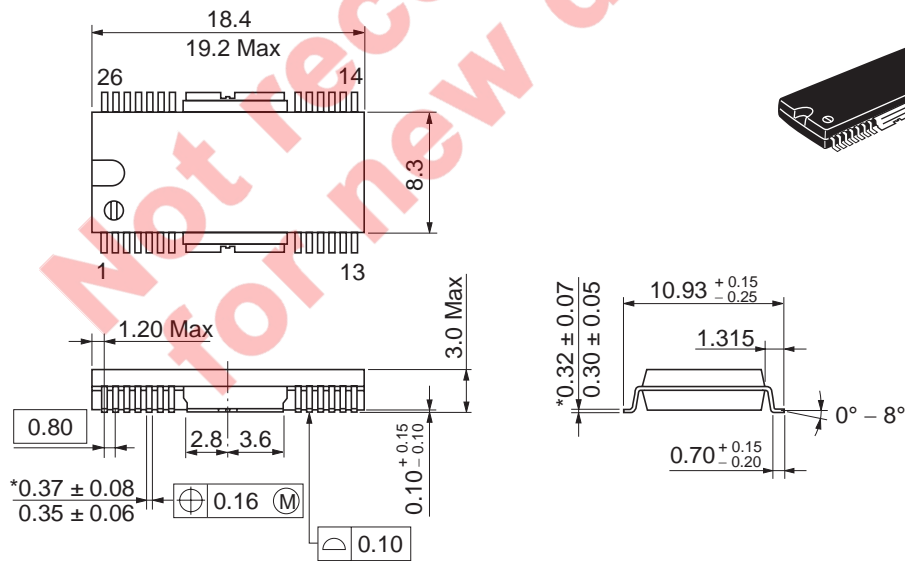
Package Dimensions

As of January, 2003  
Unit: mm



Package Code	DP-24TS
JEDEC	-
JEITA	-
Mass (reference value)	2.04 g

As of January, 2003  
Unit: mm



\*Dimension including the plating thickness  
Base material dimension

Package Code	FP-26DT
JEDEC	-
JEITA	-
Mass (reference value)	0.98 g

**Renesas Technology Corp.** Sales Strategic Planning Div. Nippon Bldg., 2-6-2, Ohte-machi, Chiyoda-ku, Tokyo 100-0004, Japan

---

Keep safety first in your circuit designs!

1. Renesas Technology Corp. puts the maximum effort into making semiconductor products better and more reliable, but there is always the possibility that trouble may occur with them. Trouble with semiconductors may lead to personal injury, fire or property damage.  
Remember to give due consideration to safety when making your circuit designs, with appropriate measures such as (i) placement of substitutive, auxiliary circuits, (ii) use of nonflammable material or (iii) prevention against any malfunction or mishap.

Notes regarding these materials

1. These materials are intended as a reference to assist our customers in the selection of the Renesas Technology Corp. product best suited to the customer's application; they do not convey any license under any intellectual property rights, or any other rights, belonging to Renesas Technology Corp. or a third party.
  2. Renesas Technology Corp. assumes no responsibility for any damage, or infringement of any third-party's rights, originating in the use of any product data, diagrams, charts, programs, algorithms, or circuit application examples contained in these materials.
  3. All information contained in these materials, including product data, diagrams, charts, programs and algorithms represents information on products at the time of publication of these materials, and are subject to change by Renesas Technology Corp. without notice due to product improvements or other reasons. It is therefore recommended that customers contact Renesas Technology Corp. or an authorized Renesas Technology Corp. product distributor for the latest product information before purchasing a product listed herein.  
The information described here may contain technical inaccuracies or typographical errors.  
Renesas Technology Corp. assumes no responsibility for any damage, liability, or other loss rising from these inaccuracies or errors.  
Please also pay attention to information published by Renesas Technology Corp. by various means, including the Renesas Technology Corp. Semiconductor home page (<http://www.renesas.com>).
  4. When using any or all of the information contained in these materials, including product data, diagrams, charts, programs, and algorithms, please be sure to evaluate all information as a total system before making a final decision on the applicability of the information and products. Renesas Technology Corp. assumes no responsibility for any damage, liability or other loss resulting from the information contained herein.
  5. Renesas Technology Corp. semiconductors are not designed or manufactured for use in a device or system that is used under circumstances in which human life is potentially at stake. Please contact Renesas Technology Corp. or an authorized Renesas Technology Corp. product distributor when considering the use of a product contained herein for any specific purposes, such as apparatus or systems for transportation, vehicular, medical, aerospace, nuclear, or undersea repeater use.
  6. The prior written approval of Renesas Technology Corp. is necessary to reprint or reproduce in whole or in part these materials.
  7. If these products or technologies are subject to the Japanese export control restrictions, they must be exported under a license from the Japanese government and cannot be imported into a country other than the approved destination.  
Any diversion or reexport contrary to the export control laws and regulations of Japan and/or the country of destination is prohibited.
  8. Please contact Renesas Technology Corp. for further details on these materials or the products contained therein.
- 

**RENESAS SALES OFFICES**



<http://www.renesas.com>

Refer to "<http://www.renesas.com/en/network>" for the latest and detailed information.

**Renesas Technology America, Inc.**  
450 Holger Way, San Jose, CA 95134-1368, U.S.A  
Tel: <1> (408) 382-7500, Fax: <1> (408) 382-7501

**Renesas Technology Europe Limited**  
Dukes Meadow, Millboard Road, Bourne End, Buckinghamshire, SL8 5FH, U.K.  
Tel: <44> (1628) 585-100, Fax: <44> (1628) 585-900

**Renesas Technology Hong Kong Ltd.**  
7th Floor, North Tower, World Finance Centre, Harbour City, 1 Canton Road, Tsimshatsui, Kowloon, Hong Kong  
Tel: <852> 2265-6688, Fax: <852> 2730-6071

**Renesas Technology Taiwan Co., Ltd.**  
10th Floor, No.99, Fushing North Road, Taipei, Taiwan  
Tel: <886> (2) 2715-2888, Fax: <886> (2) 2713-2999

**Renesas Technology (Shanghai) Co., Ltd.**  
Unit2607 Ruijing Building, No.205 Maoming Road (S), Shanghai 200020, China  
Tel: <86> (21) 6472-1001, Fax: <86> (21) 6415-2952

**Renesas Technology Singapore Pte. Ltd.**  
1 Harbour Front Avenue, #06-10, Keppel Bay Tower, Singapore 098632  
Tel: <65> 6213-0200, Fax: <65> 6278-8001