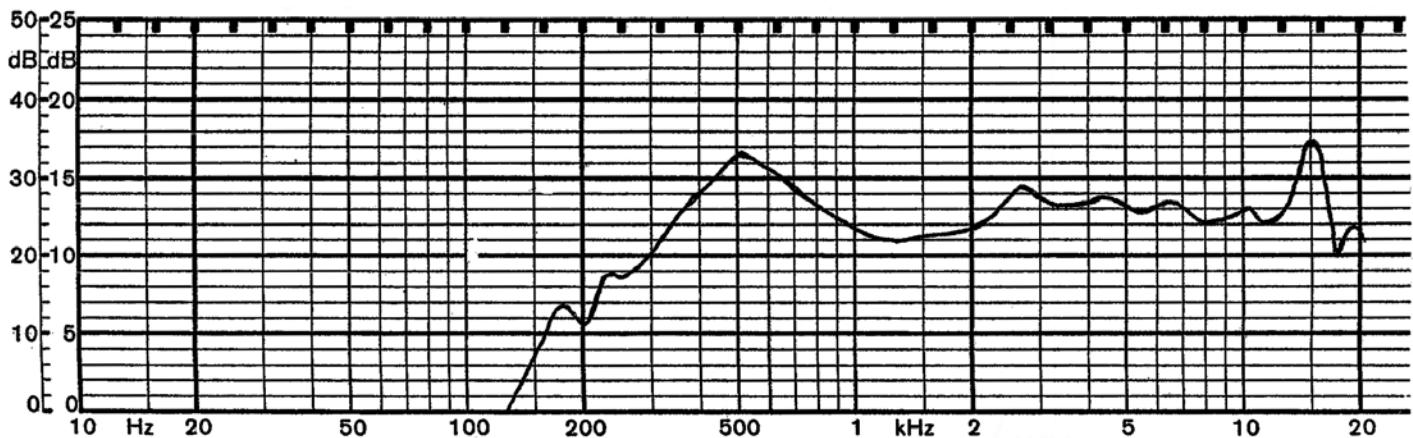



Specifications

Nominal Size	40.1 x 40.1 x 14.5 mm (See attached drawing)		
Impedance	8 Ohm \pm 15%	at	1K Hz 1 V
Resonant frequency	440 Hz \pm 88 Hz	at	1 V
Sound pressure level	86 dB/w \pm 3 dB	1 w 50 cm ave. at	0.6K, 0.8K, 1.0K, 1.2KHz
Response	Fo Hz ~ 20 KHz max 10 dB		
Input power	Nominal 5 W	Handling capacity	8 W
Operation	must be normal at program source 5 W		
Buzz, rattle, etc.	must be normal at sine wave 6.32 V		
Magnet	Size: 24.5 x 3.5 mm		
Load test	White noise 5 W	for	24 hours
Heat test	65 \pm 2° C	20-50% R.H.	24 hours
Humidity test	40 \pm 2° C	90-95% R.H.	24 hours

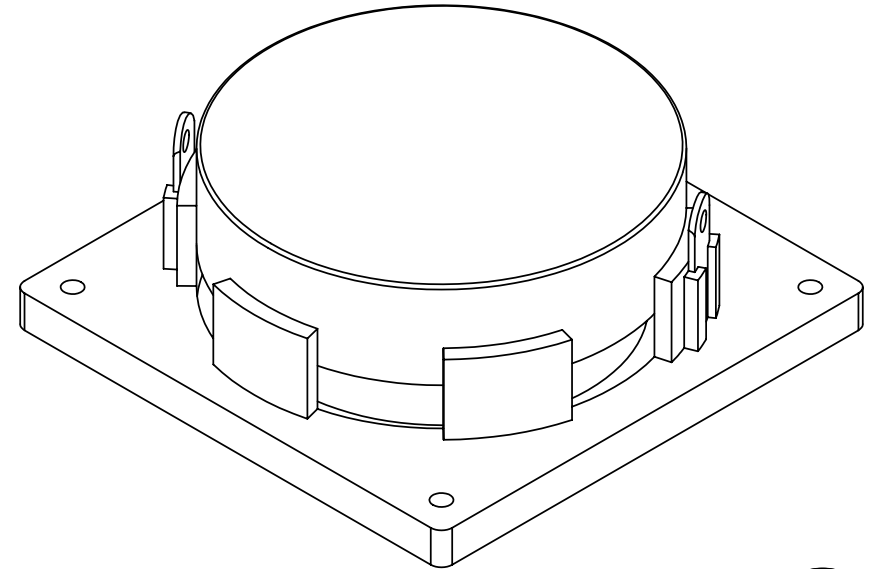
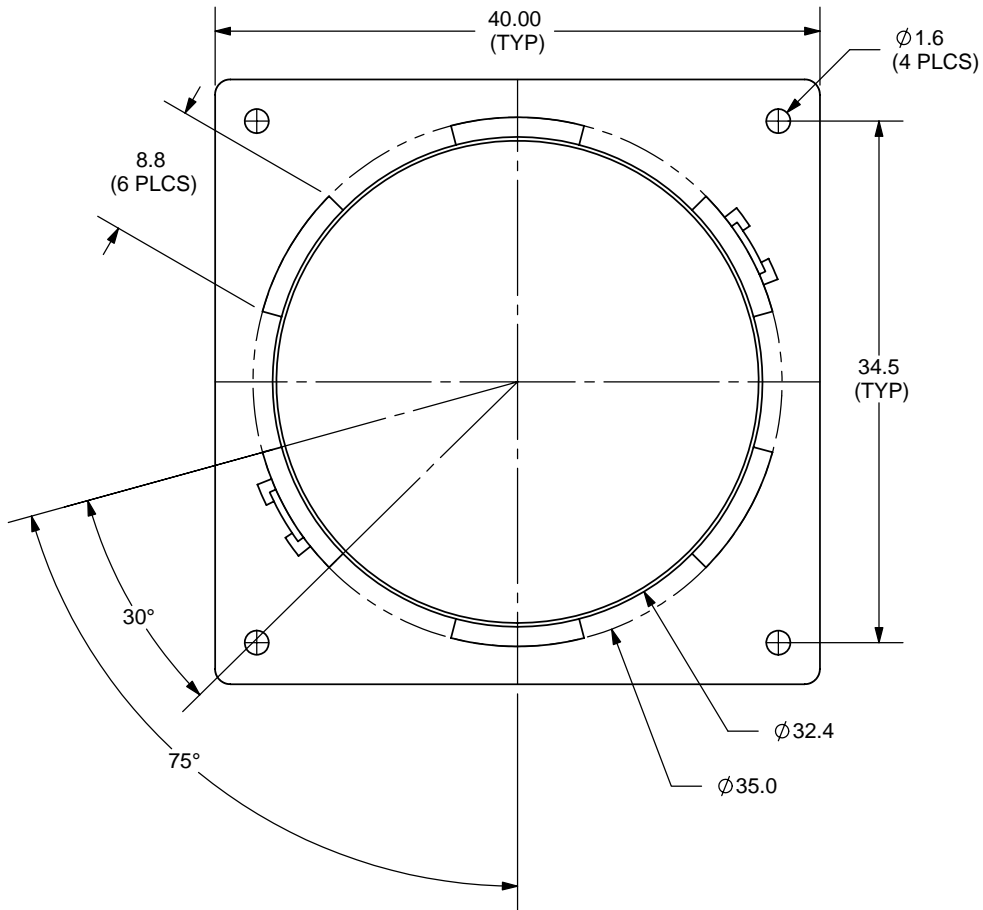
Frequency Response Curve

Potentiometer range	50 dB
Rectifier	RMS
Lower limit frequency	20 Hz
Wr. speed	100 mm/sec

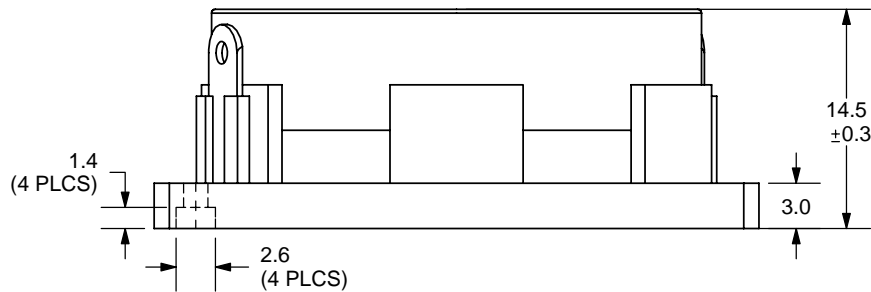


Zero level 60 dB

REV.	DESCRIPTION	DATE
A	NEW DRAWING	10/2/2006



TOLERANCE:
±0.2mm UNLESS OTHERWISE
SPECIFIED



PC FILE NAME:
CMS0401KL-3X

COPYRIGHT 2006 BY CUI INC.



20050 SW 112th Ave.
Tualatin, OR 97062
Phone: 503-643-4899
800-275-4899
Fax: 503-372-1266
Website: www.cui.com

TITLE: MINIATURE MONITOR SPEAKER		REV: A
PART NO. CMS0401KL-3X	UNITS: MM [INCHES]	
DRAWN BY: ZRJ	APPROVED BY:	SCALE: 2:1