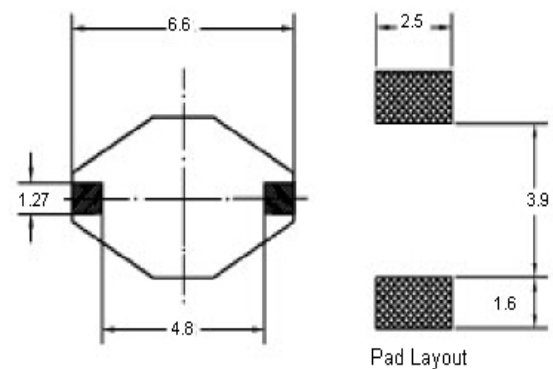
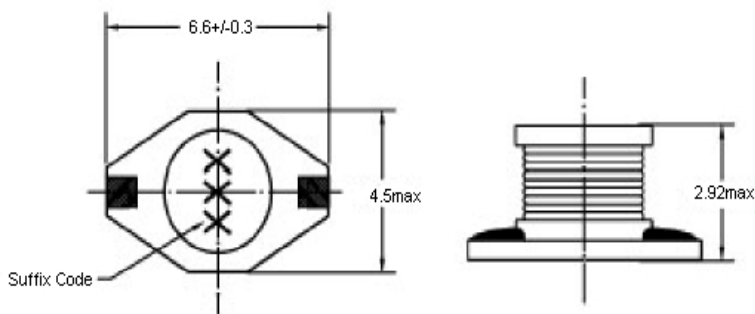


AM1608 SERIES

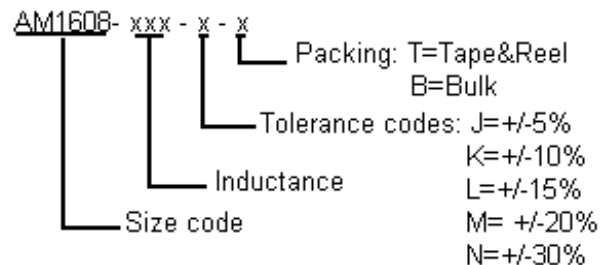
FEATURES

- Designed for low profile and high performance
- High energy storage and low resistance
- Ideal for DC-DC converter applications, such as pagers, notebook computers, PDA's, etc



Part No.	L (uhy)	DCR (mΩ)	Max Current
AM1608-1R0M	1.0	50	2.90
AM1608-1R5M	1.5	50	2.60
AM1608-2R2M	2.2	70	2.30
AM1608-3R3M	3.3	80	2.00
AM1608-4R7M	4.7	90	1.50
AM1608-6R8M	6.8	130	1.20
AM1608-100M	10.0	160	1.10
AM1608-150M	15.0	230	0.90
AM1608-220M	22.0	370	0.70
AM1608-330M	33.0	510	0.58
AM1608-470M	47.0	640	0.50
AM1608-680M	68.0	860	0.40
AM1608-101M	100.0	1270	0.31
AM1608-151M	150.0	2000	0.27
AM1608-221M	220.0	2650	0.22
AM1608-331M	330.0	3800	0.18
AM1608-471M	470.0	5060	0.16
AM1608-681M	680.0	9200	0.12
AM1608-102M	1000.0	13800	0.10
AM1608-472M	4700.0	73000	0.05

Ordering Code



Notes:

- 1) Inductance measured at 100KHz, 0.1V
- 2) Inductance drop at rated current: 10%
- 3) Temp rise at rated current: 40 deg C
- 4) Operating temp range: -40 to +85 deg C
- 5) Electrical specifications at 20 deg C