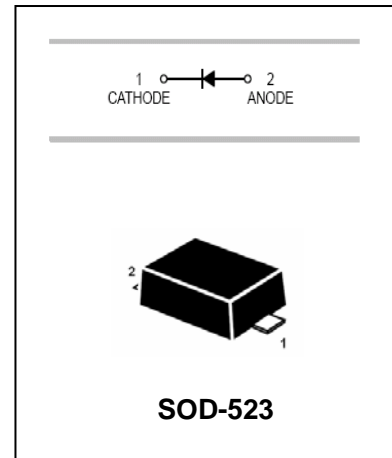


## High Speed Switching Diode

## 1SS387

### FEATURES

- Low forward voltage.
- Fast reverse recovery time.
- Small total capacitance.



### APPLICATIONS

- High-speed switching in surface mounted circuits.

### ORDERING INFORMATION

Type No.	Marking	Package Code
1SS387	G	SOD-523

### MAXIMUM RATING @ Ta=25°C unless otherwise specified

Parameter	Symbol	Limits	Unit
Repetitive peak reverse voltage	$V_{RRM}$	85	V
Reverse voltage	$V_R$	80	V
Continuous forward current	$I_F$	100	mA
Surge current	$I_{FSM}$	1	A
Total power dissipation	$P_{tot}$	150	mW
Junction temperature	$T_j$	125	°C
Storage temperature	$T_{stg}$	-55-125	°C

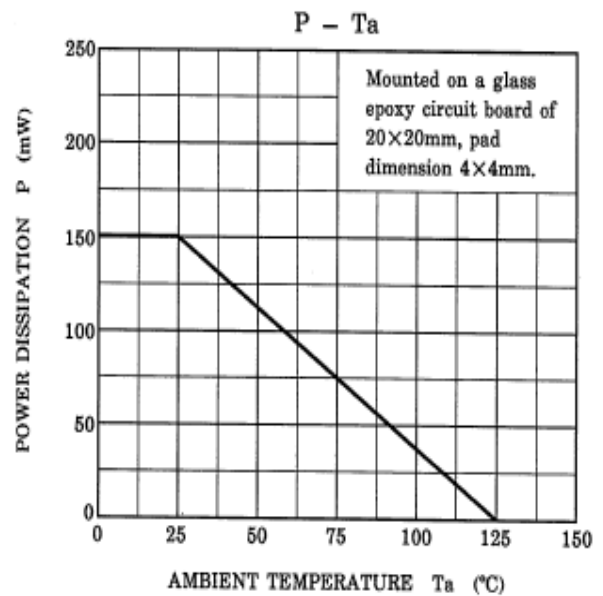
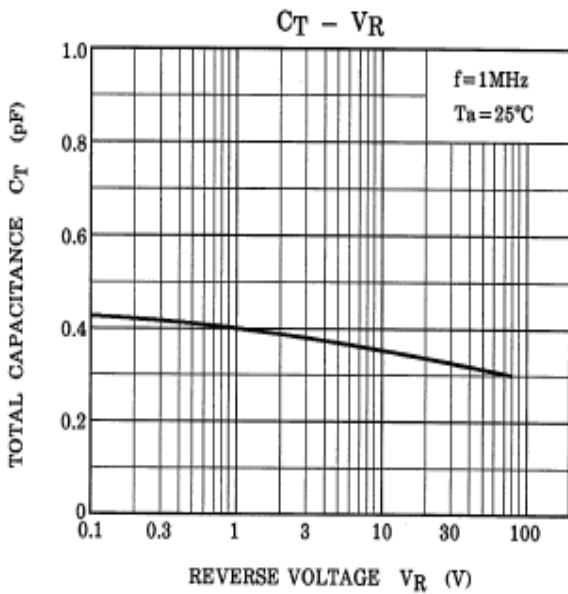
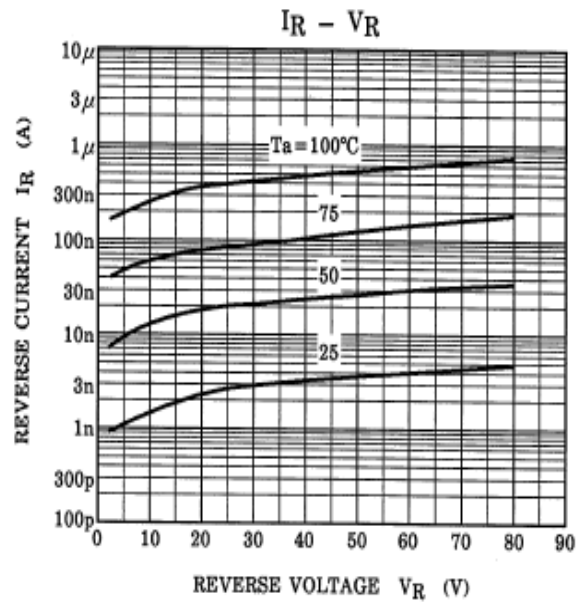
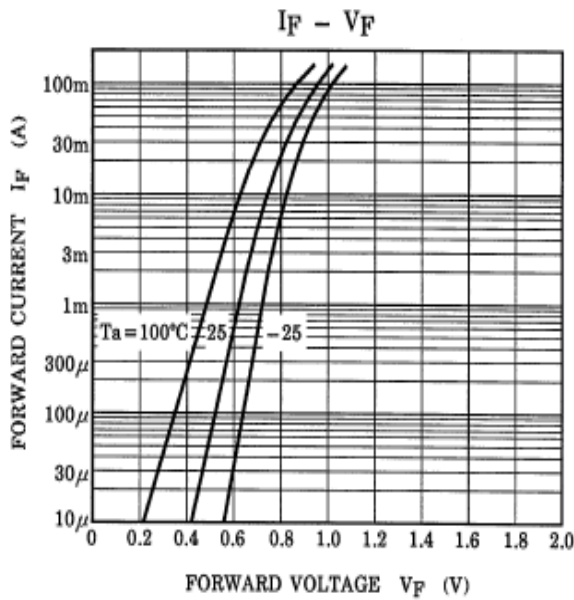
### ELECTRICAL CHARACTERISTICS @ Ta=25°C unless otherwise specified

Parameter	Symbol	Min.	Typ.	Max.	Unit	Conditions
Forward voltage	$V_F$		0.62		V	$I_F=1mA$
			0.75		V	$I_F=10mA$
			0.98	1.2	V	$I_F=100mA$
Reverse current	$I_R$			0.1	$\mu A$	$V_R=30V$
				0.5	$\mu A$	$V_R=80V$
Diode capacitance	$C_d$		0.5	3	pF	$V_R=0, f=1MHz$
Reverse recovery time	$t_{rr}$		1.6	4	ns	$I_F=10mA$

## High Speed Switching Diode

### 1SS387

TYPICAL CHARACTERISTICS @  $T_a=25^\circ\text{C}$  unless otherwise specified



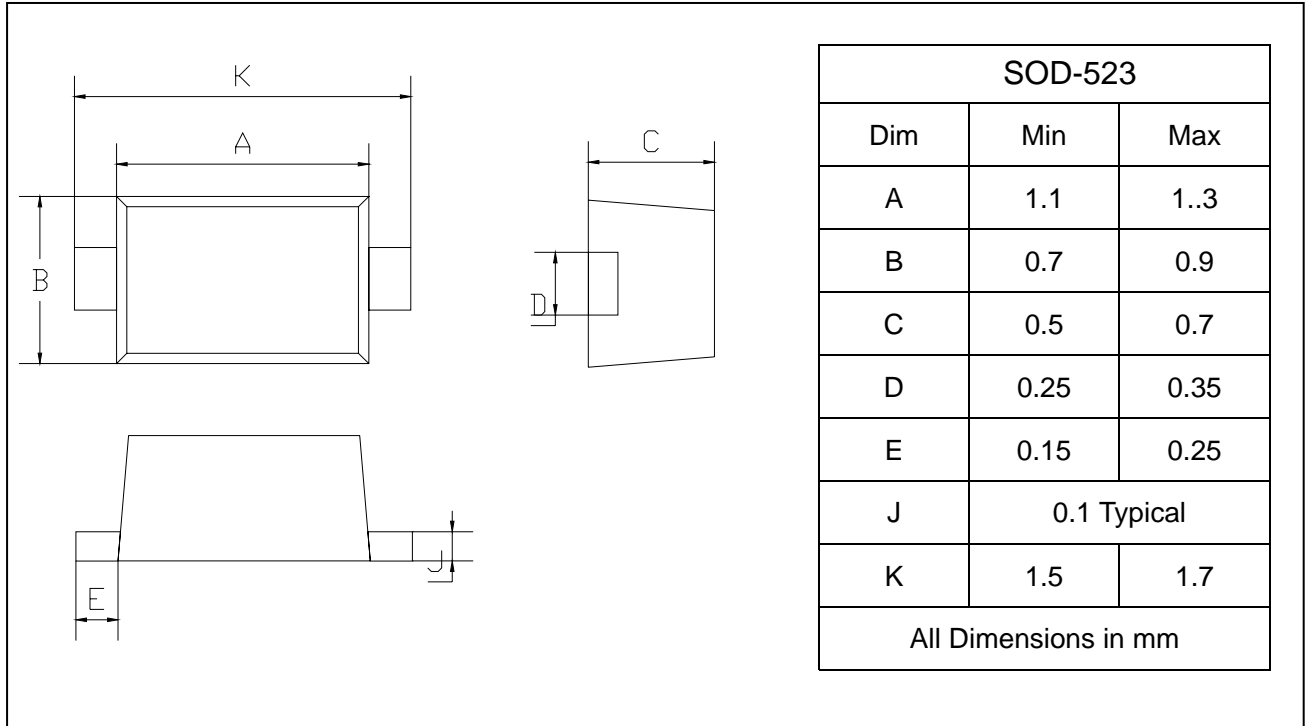
## High Speed Switching Diode

## 1SS387

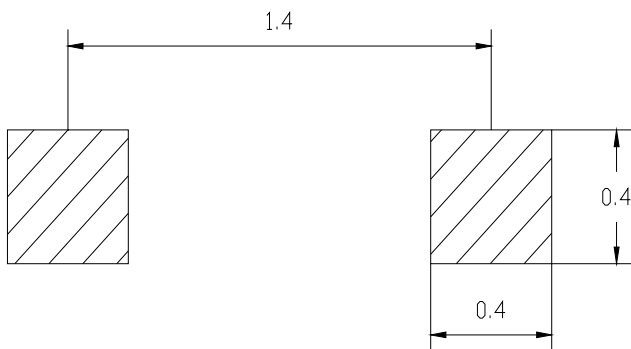
### PACKAGE OUTLINE

Plastic surface mounted package

SOD-523



### SOLDERING FOOTPRINT



Unit: mm

### PACKAGE INFORMATION

Device	Package	Shipping
1SS387	SOD-523	3000/Tape&Reel