

# XC2000 Derivatives

16/32-Bit Single-Chip Microcontroller with  
32-Bit Performance

Volume 1 (of 2): System Units

Preliminary

Microcontrollers



Never stop thinking

**Edition 2007-06**

**Published by  
Infineon Technologies AG  
81726 Munich, Germany**

**© 2007 Infineon Technologies AG  
All Rights Reserved.**

### **Legal Disclaimer**

The information given in this document shall in no event be regarded as a guarantee of conditions or characteristics. With respect to any examples or hints given herein, any typical values stated herein and/or any information regarding the application of the device, Infineon Technologies hereby disclaims any and all warranties and liabilities of any kind, including without limitation, warranties of non-infringement of intellectual property rights of any third party.

### **Information**

For further information on technology, delivery terms and conditions and prices, please contact the nearest Infineon Technologies Office ([www.infineon.com](http://www.infineon.com)).

### **Warnings**

Due to technical requirements, components may contain dangerous substances. For information on the types in question, please contact the nearest Infineon Technologies Office.

Infineon Technologies components may be used in life-support devices or systems only with the express written approval of Infineon Technologies, if a failure of such components can reasonably be expected to cause the failure of that life-support device or system or to affect the safety or effectiveness of that device or system. Life support devices or systems are intended to be implanted in the human body or to support and/or maintain and sustain and/or protect human life. If they fail, it is reasonable to assume that the health of the user or other persons may be endangered.

# XC2000 Derivatives

16/32-Bit Single-Chip Microcontroller with  
32-Bit Performance

Volume 1 (of 2): System Units

Preliminary

Microcontrollers



Never stop thinking

Preliminary

---

**XC2xxx**

**Revision History: V1.0, 2007-06**

---

Previous Version(s):

V0.1, 2007-03, Draft version

Page	Subjects (major changes since last revision)
1-2	More derivatives added to list
	Description of SSC and CAN bootstrap loaders added
9-1ff	EBC chapter corrected

**We Listen to Your Comments**

Any information within this document that you feel is wrong, unclear or missing at all?  
Your feedback will help us to continuously improve the quality of this document.

Please send your proposal (including a reference to this document) to:

[mcdocu.comments@infineon.com](mailto:mcdocu.comments@infineon.com)



## Summary Of Chapters

This User's Manual consists of two Volumes, "System Units" and "Peripheral Units". For a quick overview this table of chapters summarizes both volumes, so you immediately can find the reference to the desired section in the corresponding document ([1] or [2]).

	<b>Summary Of Chapters</b> .....	0-1 [1]
	<b>Table Of Contents</b> .....	0-3 [1]
<b>1</b>	<b>Introduction</b> .....	1-1 [1]
<b>2</b>	<b>Architectural Overview</b> .....	2-1 [1]
<b>3</b>	<b>Memory Organization</b> .....	3-1 [1]
<b>4</b>	<b>Central Processing Unit (CPU)</b> .....	4-1 [1]
<b>5</b>	<b>Interrupt and Trap Functions</b> .....	5-1 [1]
<b>6</b>	<b>System Control Unit (SCU)</b> .....	6-1 [1]
<b>7</b>	<b>Parallel Ports</b> .....	7-1 [1]
<b>8</b>	<b>Dedicated Pins</b> .....	8-1 [1]
<b>9</b>	<b>The External Bus Controller EBC</b> .....	9-1 [1]
<b>10</b>	<b>Startup Configuration and Bootstrap Loading</b> .....	10-1 [1]
<b>11</b>	<b>Debug System</b> .....	11-1 [1]
<b>12</b>	<b>Instruction Set Summary</b> .....	12-1 [1]
<b>13</b>	<b>Device Specification</b> .....	13-1 [1]
<b>14</b>	<b>The General Purpose Timer Units</b> .....	14-1 [2]
<b>15</b>	<b>Real Time Clock</b> .....	15-1 [2]
<b>16</b>	<b>Analog to Digital Converter</b> .....	16-1 [2]
<b>17</b>	<b>Capture/Compare Unit 2</b> .....	17-1 [2]
<b>18</b>	<b>Capture/Compare Unit 6 (CCU6)</b> .....	18-1 [2]
<b>19</b>	<b>Universal Serial Interface Channel</b> .....	19-1 [2]
<b>20</b>	<b>Controller Area Network (MultiCAN) Controller</b> .....	20-1 [2]
	<b>Keyword Index</b> .....	21-1 [2]
	<b>Register Index</b> .....	22-5 [2]



Preliminary

**XC2000 Derivatives  
System Units (Vol. 1 of 2)**

---

**Summary Of Chapters**

## Table Of Contents

This User's Manual consists of two Volumes, "System Units" and "Peripheral Units". For your convenience this table of contents (and also the keyword and register index) lists both volumes, so you can immediately find the reference to the desired section in the corresponding document ([1] or [2]).

	<b>Summary Of Chapters</b> . . . . . 0-1 [1]
	<b>Table Of Contents</b> . . . . . 0-3 [1]
<b>1</b>	<b>Introduction</b> . . . . . 1-1 [1]
1.1	Members of the 16-bit Microcontroller Family . . . . . 1-3 [1]
1.2	Summary of Basic Features . . . . . 1-5 [1]
1.3	Abbreviations . . . . . 1-9 [1]
1.4	Naming Conventions . . . . . 1-10 [1]
<b>2</b>	<b>Architectural Overview</b> . . . . . 2-1 [1]
2.1	Basic CPU Concepts and Optimizations . . . . . 2-2 [1]
2.1.1	High Instruction Bandwidth/Fast Execution . . . . . 2-4 [1]
2.1.2	Powerful Execution Units . . . . . 2-5 [1]
2.1.3	High Performance Branch-, Call-, and Loop-Processing . . . . . 2-6 [1]
2.1.4	Consistent and Optimized Instruction Formats . . . . . 2-7 [1]
2.1.5	Programmable Multiple Priority Interrupt System . . . . . 2-8 [1]
2.1.6	Interfaces to System Resources . . . . . 2-9 [1]
2.2	On-Chip System Resources . . . . . 2-10 [1]
2.3	On-Chip Peripheral Blocks . . . . . 2-15 [1]
2.4	Clock Generation . . . . . 2-32 [1]
2.5	Power Management . . . . . 2-33 [1]
2.6	On-Chip Debug Support (OCDS) . . . . . 2-34 [1]
<b>3</b>	<b>Memory Organization</b> . . . . . 3-1 [1]
3.1	Address Mapping . . . . . 3-3 [1]
3.2	Special Function Register Areas . . . . . 3-4 [1]
3.3	Data Memory Areas . . . . . 3-9 [1]
3.4	Program Memory Areas . . . . . 3-11 [1]
3.4.1	Program/Data SRAM (PSRAM) . . . . . 3-12 [1]
3.4.2	Non-Volatile Program Memory (Flash) . . . . . 3-13 [1]
3.5	System Stack . . . . . 3-14 [1]
3.6	IO Areas . . . . . 3-15 [1]
3.7	External Memory Space . . . . . 3-16 [1]
3.8	Crossing Memory Boundaries . . . . . 3-17 [1]
3.9	Embedded Flash Memory . . . . . 3-18 [1]
3.9.1	Definitions . . . . . 3-18 [1]

**Preliminary**

**Table Of Contents**

3.9.2	Operating Modes .....	3-20 [1]
3.9.3	Operations .....	3-22 [1]
3.9.4	Details of Command Sequences .....	3-25 [1]
3.9.5	Data Integrity .....	3-35 [1]
3.9.6	Protection Handling Details .....	3-38 [1]
3.9.7	Protection Handling Examples .....	3-45 [1]
3.9.8	EEPROM Emulation .....	3-47 [1]
3.9.9	Interrupt Generation .....	3-49 [1]
3.10	On-Chip Program Memory Control .....	3-50 [1]
3.10.1	Overview .....	3-50 [1]
3.10.2	Register Interface .....	3-52 [1]
3.10.3	Startup, Shutdown .....	3-67 [1]
3.10.4	Error Reporting Summary .....	3-69 [1]
3.11	Data Retention Memories .....	3-70 [1]
3.11.1	Stand-By RAM Accesses .....	3-71 [1]
3.11.2	Stand-By RAM Registers .....	3-72 [1]
3.11.3	Marker Memory (MKMEM) .....	3-76 [1]
3.12	Memory Parity Error Handling .....	3-77 [1]
3.12.1	Parity Control Registers .....	3-78 [1]
<b>4</b>	<b>Central Processing Unit (CPU) .....</b>	<b>4-1 [1]</b>
4.1	Components of the CPU .....	4-4 [1]
4.2	Instruction Fetch and Program Flow Control .....	4-5 [1]
4.2.1	Branch Detection and Branch Prediction Rules .....	4-7 [1]
4.2.2	Correctly Predicted Instruction Flow .....	4-7 [1]
4.2.3	Incorrectly Predicted Instruction Flow .....	4-9 [1]
4.3	Instruction Processing Pipeline .....	4-11 [1]
4.3.1	Pipeline Conflicts Using General Purpose Registers .....	4-13 [1]
4.3.2	Pipeline Conflicts Using Indirect Addressing Modes .....	4-15 [1]
4.3.3	Pipeline Conflicts Due to Memory Bandwidth .....	4-17 [1]
4.3.4	Pipeline Conflicts Caused by CPU-SFR Updates .....	4-20 [1]
4.4	CPU Configuration Registers .....	4-26 [1]
4.5	Use of General Purpose Registers .....	4-29 [1]
4.5.1	GPR Addressing Modes .....	4-31 [1]
4.5.2	Context Switching .....	4-33 [1]
4.6	Code Addressing .....	4-37 [1]
4.7	Data Addressing .....	4-39 [1]
4.7.1	Short Addressing Modes .....	4-39 [1]
4.7.2	Long Addressing Modes .....	4-41 [1]
4.7.3	Indirect Addressing Modes .....	4-44 [1]
4.7.4	DSP Addressing Modes .....	4-46 [1]
4.7.5	The System Stack .....	4-52 [1]
4.8	Standard Data Processing .....	4-56 [1]



**Preliminary**

**Table Of Contents**

4.8.1	16-bit Adder/Subtractor, Barrel Shifter, and 16-bit Logic Unit . . . .	4-60 [1]
4.8.2	Bit Manipulation Unit . . . . .	4-60 [1]
4.8.3	Multiply and Divide Unit . . . . .	4-62 [1]
4.9	DSP Data Processing (MAC Unit) . . . . .	4-64 [1]
4.9.1	MAC Unit Control . . . . .	4-65 [1]
4.9.2	Representation of Numbers and Rounding . . . . .	4-65 [1]
4.9.3	The 16-bit by 16-bit Signed/Unsigned Multiplier and Scaler . . . . .	4-66 [1]
4.9.4	Concatenation Unit . . . . .	4-66 [1]
4.9.5	One-bit Scaler . . . . .	4-66 [1]
4.9.6	The 40-bit Adder/Subtractor . . . . .	4-66 [1]
4.9.7	The Data Limiter . . . . .	4-67 [1]
4.9.8	The Accumulator Shifter . . . . .	4-67 [1]
4.9.9	The 40-bit Signed Accumulator Register . . . . .	4-68 [1]
4.9.10	The MAC Unit Status Word MSW . . . . .	4-70 [1]
4.9.11	The Repeat Counter MRW . . . . .	4-72 [1]
4.10	Constant Registers . . . . .	4-74 [1]
<b>5</b>	<b>Interrupt and Trap Functions . . . . .</b>	<b>5-1 [1]</b>
5.1	Interrupt System Structure . . . . .	5-2 [1]
5.2	Interrupt Arbitration and Control . . . . .	5-4 [1]
5.3	Interrupt Vector Table . . . . .	5-10 [1]
5.4	Operation of the Peripheral Event Controller Channels . . . . .	5-19 [1]
5.4.1	The PECC Registers . . . . .	5-19 [1]
5.4.2	The PEC Source and Destination Pointers . . . . .	5-23 [1]
5.4.3	PEC Transfer Control . . . . .	5-25 [1]
5.4.4	Channel Link Mode for Data Chaining . . . . .	5-27 [1]
5.4.5	PEC Interrupt Control . . . . .	5-28 [1]
5.5	Prioritization of Interrupt and PEC Service Requests . . . . .	5-30 [1]
5.6	Context Switching and Saving Status . . . . .	5-32 [1]
5.7	Interrupt Node Sharing . . . . .	5-35 [1]
5.8	External Interrupts . . . . .	5-36 [1]
5.9	OCDS Requests . . . . .	5-38 [1]
5.10	Service Request Latency . . . . .	5-39 [1]
5.11	Trap Functions . . . . .	5-41 [1]
<b>6</b>	<b>System Control Unit (SCU) . . . . .</b>	<b>6-1 [1]</b>
6.1	Clock Generation Unit . . . . .	6-2 [1]
6.1.1	Wake-Up Clock Circuit (OSC_WU) . . . . .	6-3 [1]
6.1.2	High Precision Oscillator Circuit (OSC_HP) . . . . .	6-3 [1]
6.1.3	Phase-Locked Loop (PLL) Module . . . . .	6-5 [1]
6.1.4	Clock Control Unit . . . . .	6-13 [1]
6.1.5	External Clock Output . . . . .	6-15 [1]
6.1.6	CGU Registers . . . . .	6-18 [1]
6.2	Reset Operation . . . . .	6-33 [1]

**Preliminary**

**Table Of Contents**

6.2.1	Reset Architecture .....	6-33 [1]
6.2.2	General Reset Operation .....	6-33 [1]
6.2.3	Coupling of Reset Types .....	6-35 [1]
6.2.4	Debug Reset Assertion .....	6-36 [1]
6.2.5	Example1: .....	6-36 [1]
6.2.6	Example2: .....	6-36 [1]
6.2.7	Example3: .....	6-36 [1]
6.2.8	Reset Request Trigger Sources .....	6-36 [1]
6.2.9	Module Reset Behavior .....	6-40 [1]
6.2.10	Reset Controller Registers .....	6-41 [1]
6.3	External Service Request (ESR) Pins .....	6-52 [1]
6.3.1	General Operation .....	6-52 [1]
6.3.2	ESR Control Registers .....	6-58 [1]
6.3.3	ESR Data Register .....	6-63 [1]
6.4	External Request Unit (ERU) .....	6-64 [1]
6.4.1	Introduction .....	6-64 [1]
6.4.2	ERU Pin Connections .....	6-66 [1]
6.4.3	External Request Select Unit (ERSx; x = 0..3) .....	6-72 [1]
6.4.4	Event Trigger Logic (ETLx; x = 0..3) .....	6-74 [1]
6.4.5	Connecting Matrix .....	6-76 [1]
6.4.6	Output Gating Unit (OGUy; y = 0..3) .....	6-77 [1]
6.4.7	ERU Output Connections .....	6-81 [1]
6.4.8	ERU Registers .....	6-83 [1]
6.5	Power Supply and Control .....	6-90 [1]
6.5.1	Supply Watchdog (SWD) .....	6-91 [1]
6.5.2	Monitoring the Voltage Level of a Core Domain .....	6-97 [1]
6.5.3	Controlling the Voltage Level of a Core Domain .....	6-115 [1]
6.5.4	Handling the Power System .....	6-126 [1]
6.5.5	Power State Controller (PSC) .....	6-128 [1]
6.5.6	Operating a Power Transfer .....	6-130 [1]
6.5.7	Power Control Registers .....	6-134 [1]
6.6	Global State Controller (GSC) .....	6-156 [1]
6.6.1	GSC Control Flow .....	6-156 [1]
6.6.2	GSC Registers .....	6-160 [1]
6.7	Temperature Compensation Unit .....	6-165 [1]
6.7.1	Temperature Compensation Registers .....	6-166 [1]
6.8	Watchdog Timer .....	6-168 [1]
6.8.1	Introduction .....	6-168 [1]
6.8.2	Overview .....	6-168 [1]
6.8.3	Functional Description .....	6-169 [1]
6.8.4	WDT Kernel Registers .....	6-173 [1]
6.9	Wake-up Timer (WUT) .....	6-176 [1]
6.9.1	Wake-Up Timer Operation .....	6-177 [1]

**Preliminary**

**Table Of Contents**

6.9.2	WUT Registers .....	6-178 [1]
6.10	Register Control .....	6-181 [1]
6.10.1	Register Access Control .....	6-181 [1]
6.10.2	Register Protection Registers .....	6-183 [1]
6.10.3	Miscellaneous System Control Registers .....	6-185 [1]
6.11	SCU Interrupt and Trap Handling .....	6-186 [1]
6.11.1	SCU Interrupt Handling .....	6-187 [1]
6.11.2	SCU Interrupt Control Registers .....	6-189 [1]
6.11.3	SCU Trap Generation .....	6-200 [1]
6.11.4	SCU Trap Control Registers .....	6-202 [1]
6.11.5	DPM_M Interrupt and Trap Support .....	6-210 [1]
6.11.6	DPM_M Interrupt and Trap Registers .....	6-211 [1]
6.11.7	Alternate Interrupt Assignment Register .....	6-216 [1]
6.12	Identification Block .....	6-218 [1]
6.13	SCU Register Addresses .....	6-220 [1]
<b>7</b>	<b>Parallel Ports</b> .....	<b>7-1 [1]</b>
7.1	General Description .....	7-2 [1]
7.1.1	Basic Port Operation .....	7-2 [1]
7.1.2	Input Stage Control .....	7-5 [1]
7.1.3	Output Driver Control .....	7-5 [1]
7.2	Pin Description .....	7-6 [1]
7.2.1	Description Scheme for the Port IO Functions .....	7-6 [1]
7.3	Port Description .....	7-7 [1]
7.3.1	Port Register Description .....	7-7 [1]
7.3.2	Port 0 .....	7-18 [1]
7.3.3	Port 1 .....	7-22 [1]
7.3.4	Port 2 .....	7-26 [1]
7.3.5	Port 3 .....	7-33 [1]
7.3.6	Port 4 .....	7-37 [1]
7.3.7	Port 5 .....	7-41 [1]
7.3.8	Port 6 .....	7-43 [1]
7.3.9	Port 7 .....	7-46 [1]
7.3.10	Port 8 .....	7-49 [1]
7.3.11	Port 9 .....	7-52 [1]
7.3.12	Port 10 .....	7-55 [1]
7.3.13	Port 11 .....	7-62 [1]
7.3.14	Port 15 .....	7-65 [1]
<b>8</b>	<b>Dedicated Pins</b> .....	<b>8-1 [1]</b>
<b>9</b>	<b>The External Bus Controller EBC</b> .....	<b>9-1 [1]</b>
9.1	External Bus Signals .....	9-3 [1]
9.2	Timing Principles .....	9-4 [1]

**Preliminary**

**Table Of Contents**

9.2.1	Basic Bus Cycle Protocols .....	9-4 [1]
9.2.2	Bus Cycle Phases .....	9-7 [1]
9.2.3	Bus Cycle Examples: Fastest Access Cycles .....	9-9 [1]
9.3	Functional Description .....	9-11 [1]
9.3.1	Configuration Register Overview .....	9-11 [1]
9.3.2	The EBC Mode Register 0 .....	9-13 [1]
9.3.3	The EBC Mode Register 1 .....	9-15 [1]
9.3.4	The Timing Configuration Registers TCONCSx .....	9-16 [1]
9.3.5	The Function Configuration Registers FCONCSx .....	9-19 [1]
9.3.6	The Address Window Selection Registers ADDRSELx .....	9-22 [1]
9.3.7	Ready Controlled Bus Cycles .....	9-25 [1]
9.3.8	Access Control to LXBus Modules .....	9-27 [1]
9.3.9	External Bus Arbitration .....	9-28 [1]
9.3.10	Shutdown Control .....	9-32 [1]
9.4	LXBus Access Control and Signal Generation .....	9-33 [1]
9.5	EBC Register Table .....	9-33 [1]
<b>10</b>	<b>Startup Configuration and Bootstrap Loading .....</b>	<b>10-1 [1]</b>
10.1	Start-Up Mode Selection .....	10-1 [1]
10.2	Internal Start .....	10-2 [1]
10.3	External Start .....	10-2 [1]
10.4	Bootstrap Loading .....	10-4 [1]
10.4.1	General Functionality .....	10-4 [1]
10.4.2	Standard UART Bootstrap Loader .....	10-6 [1]
10.4.3	Synchronous Serial Channel Bootstrap Loader .....	10-11 [1]
10.4.4	CAN Bootstrap Loader .....	10-14 [1]
10.4.5	Summary of Bootstrap Loader Modes .....	10-17 [1]
<b>11</b>	<b>Debug System .....</b>	<b>11-1 [1]</b>
11.1	Debug Interface .....	11-2 [1]
11.1.1	Routing of Debug Signals .....	11-3 [1]
11.2	OCDS Module .....	11-5 [1]
11.2.1	Debug Events .....	11-7 [1]
11.2.2	Debug Actions .....	11-8 [1]
11.3	Cerberus .....	11-9 [1]
11.3.1	Functional Overview .....	11-9 [1]
<b>12</b>	<b>Instruction Set Summary .....</b>	<b>12-1 [1]</b>
<b>13</b>	<b>Device Specification .....</b>	<b>13-1 [1]</b>
<b>14</b>	<b>The General Purpose Timer Units .....</b>	<b>14-1 [2]</b>
14.1	Timer Block GPT1 .....	14-2 [2]
14.1.1	GPT1 Core Timer T3 Control .....	14-4 [2]
14.1.2	GPT1 Core Timer T3 Operating Modes .....	14-8 [2]

**Preliminary**

**Table Of Contents**

14.1.3	GPT1 Auxiliary Timers T2/T4 Control .....	14-15 [2]
14.1.4	GPT1 Auxiliary Timers T2/T4 Operating Modes .....	14-18 [2]
14.1.5	GPT1 Clock Signal Control .....	14-27 [2]
14.1.6	GPT1 Timer Registers .....	14-30 [2]
14.1.7	Interrupt Control for GPT1 Timers .....	14-31 [2]
14.2	Timer Block GPT2 .....	14-32 [2]
14.2.1	GPT2 Core Timer T6 Control .....	14-34 [2]
14.2.2	GPT2 Core Timer T6 Operating Modes .....	14-38 [2]
14.2.3	GPT2 Auxiliary Timer T5 Control .....	14-41 [2]
14.2.4	GPT2 Auxiliary Timer T5 Operating Modes .....	14-44 [2]
14.2.5	GPT2 Register CAPREL Operating Modes .....	14-48 [2]
14.2.6	GPT2 Clock Signal Control .....	14-53 [2]
14.2.7	GPT2 Timer Registers .....	14-56 [2]
14.2.8	Interrupt Control for GPT2 Timers and CAPREL .....	14-57 [2]
14.2.9	KSCCFG Register .....	14-58 [2]
14.3	Interfaces of the GPT Module .....	14-60 [2]
<b>15</b>	<b>Real Time Clock .....</b>	<b>15-1 [2]</b>
15.1	Defining the RTC Time Base .....	15-2 [2]
15.2	RTC Run Control .....	15-5 [2]
15.3	RTC Operating Modes .....	15-7 [2]
15.4	48-bit Timer Operation .....	15-11 [2]
15.5	System Clock Operation .....	15-11 [2]
15.6	Cyclic Interrupt Generation .....	15-12 [2]
15.7	RTC Interrupt Generation .....	15-13 [2]
15.8	KSCCFG Register .....	15-15 [2]
<b>16</b>	<b>Analog to Digital Converter .....</b>	<b>16-1 [2]</b>
16.1	Introduction .....	16-1 [2]
16.1.1	ADC Block Diagram .....	16-2 [2]
16.1.2	Feature Set .....	16-3 [2]
16.1.3	Abbreviations .....	16-4 [2]
16.1.4	ADC Kernel Overview .....	16-5 [2]
16.1.5	Conversion Request Unit .....	16-7 [2]
16.1.6	Conversion Result Unit .....	16-9 [2]
16.1.7	Interrupt Structure .....	16-10 [2]
16.1.8	Electrical Models .....	16-11 [2]
16.1.9	Transfer Characteristics and Error Definitions .....	16-14 [2]
16.2	Operating the ADC .....	16-15 [2]
16.2.1	Register Overview .....	16-16 [2]
16.2.2	Mode Control .....	16-20 [2]
16.2.3	Module Activation and Power Saving Modes .....	16-22 [2]
16.2.4	Clocking Scheme .....	16-23 [2]
16.2.5	General ADC Registers .....	16-24 [2]

**Preliminary**

**Table Of Contents**

16.2.6	Request Source Arbiter . . . . .	16-33 [2]
16.2.7	Arbiter Registers . . . . .	16-37 [2]
16.2.8	Scan Request Source Handling . . . . .	16-39 [2]
16.2.9	Scan Request Source Registers . . . . .	16-43 [2]
16.2.10	Sequential Request Source Handling . . . . .	16-47 [2]
16.2.11	Sequential Source Registers . . . . .	16-52 [2]
16.2.12	Channel-Related Functions . . . . .	16-63 [2]
16.2.13	Channel-Related Registers . . . . .	16-68 [2]
16.2.14	Conversion Result Handling . . . . .	16-78 [2]
16.2.15	Conversion Result-Related Registers . . . . .	16-86 [2]
16.2.16	External Multiplexer Control . . . . .	16-96 [2]
16.2.17	Synchronized Conversions for Parallel Sampling . . . . .	16-98 [2]
16.2.18	Additional Feature Registers . . . . .	16-102 [2]
16.3	Implementation . . . . .	16-105 [2]
16.3.1	Address Map . . . . .	16-105 [2]
16.3.2	Interrupt Control Registers . . . . .	16-105 [2]
16.3.3	Analog Connections . . . . .	16-106 [2]
16.3.4	Digital Connections . . . . .	16-109 [2]
<b>17</b>	<b>Capture/Compare Unit 2 . . . . .</b>	<b>17-1 [2]</b>
17.1	The CAPCOM2 Timers . . . . .	17-4 [2]
17.2	CAPCOM2 Timer Interrupts . . . . .	17-10 [2]
17.3	Capture/Compare Channels . . . . .	17-11 [2]
17.3.1	Capture/Compare Registers for the CAPCOM2 (CC31 ... CC16)	17-11 [2]
17.4	Capture Mode Operation . . . . .	17-14 [2]
17.5	Compare Mode Operation . . . . .	17-15 [2]
17.5.1	Compare Mode 0 . . . . .	17-16 [2]
17.5.2	Compare Mode 1 . . . . .	17-16 [2]
17.5.3	Compare Mode 2 . . . . .	17-19 [2]
17.5.4	Compare Mode 3 . . . . .	17-19 [2]
17.5.5	Double-Register Compare Mode . . . . .	17-24 [2]
17.6	Compare Output Signal Generation . . . . .	17-27 [2]
17.7	Single Event Operation . . . . .	17-29 [2]
17.8	Staggered and Non-Staggered Operation . . . . .	17-31 [2]
17.9	CAPCOM2 Interrupts . . . . .	17-36 [2]
17.10	External Input Signal Requirements . . . . .	17-38 [2]
17.10.1	KSCCFG Register . . . . .	17-39 [2]
17.11	Interfaces of the CAPCOM Units . . . . .	17-41 [2]
<b>18</b>	<b>Capture/Compare Unit 6 (CCU6) . . . . .</b>	<b>18-1 [2]</b>
18.1	Introduction . . . . .	18-1 [2]
18.1.1	Feature Set Overview . . . . .	18-2 [2]
18.1.2	Block Diagram . . . . .	18-3 [2]
18.1.3	Register Overview . . . . .	18-4 [2]

**Preliminary**

**Table Of Contents**

18.2	Operating Timer T12 .....	18-8 [2]
18.2.1	T12 Overview .....	18-9 [2]
18.2.2	T12 Counting Scheme .....	18-11 [2]
18.2.3	T12 Compare Mode .....	18-15 [2]
18.2.4	Compare Mode Output Path .....	18-22 [2]
18.2.5	T12 Capture Modes .....	18-27 [2]
18.2.6	T12 Shadow Register Transfer .....	18-31 [2]
18.2.7	Timer T12 Operating Mode Selection .....	18-32 [2]
18.2.8	T12 related Registers .....	18-33 [2]
18.2.9	Capture/Compare Control Registers .....	18-38 [2]
18.3	Operating Timer T13 .....	18-50 [2]
18.3.1	T13 Overview .....	18-50 [2]
18.3.2	T13 Counting Scheme .....	18-53 [2]
18.3.3	T13 Compare Mode .....	18-58 [2]
18.3.4	Compare Mode Output Path .....	18-60 [2]
18.3.5	T13 Shadow Register Transfer .....	18-61 [2]
18.3.6	T13 related Registers .....	18-63 [2]
18.4	Trap Handling .....	18-66 [2]
18.5	Multi-Channel Mode .....	18-68 [2]
18.6	Hall Sensor Mode .....	18-70 [2]
18.6.1	Hall Pattern Evaluation .....	18-71 [2]
18.6.2	Hall Pattern Compare Logic .....	18-73 [2]
18.6.3	Hall Mode Flags .....	18-74 [2]
18.6.4	Hall Mode for Brushless DC-Motor Control .....	18-76 [2]
18.7	Modulation Control Registers .....	18-78 [2]
18.7.1	Modulation Control .....	18-78 [2]
18.7.2	Trap Control Register .....	18-80 [2]
18.7.3	Passive State Level Register .....	18-83 [2]
18.7.4	Multi-Channel Mode Registers .....	18-84 [2]
18.8	Interrupt Handling .....	18-89 [2]
18.8.1	Interrupt Structure .....	18-89 [2]
18.8.2	Interrupt Registers .....	18-91 [2]
18.9	General Module Operation .....	18-103 [2]
18.9.1	Mode Control .....	18-103 [2]
18.9.2	Input Selection .....	18-106 [2]
18.9.3	General Registers .....	18-107 [2]
18.10	Implementation .....	18-115 [2]
18.10.1	Address Map .....	18-115 [2]
18.10.2	Interrupt Control Registers .....	18-116 [2]
18.10.3	Synchronous Start Feature .....	18-117 [2]
18.10.4	Digital Connections .....	18-118 [2]
<b>19</b>	<b>Universal Serial Interface Channel .....</b>	<b>19-1 [2]</b>

**Preliminary**

**Table Of Contents**

19.1	Introduction .....	19-1 [2]
19.1.1	Feature Set Overview .....	19-2 [2]
19.1.2	Channel Structure .....	19-5 [2]
19.1.3	Input Stages .....	19-6 [2]
19.1.4	Output Signals .....	19-7 [2]
19.1.5	Baud Rate Generator .....	19-8 [2]
19.1.6	Channel Events and Interrupts .....	19-9 [2]
19.1.7	Data Shifting and Handling .....	19-9 [2]
19.2	Operating the USIC .....	19-13 [2]
19.2.1	Register Overview .....	19-13 [2]
19.2.2	Operating the USIC Communication Channel .....	19-17 [2]
19.2.3	Channel Control and Configuration Registers .....	19-28 [2]
19.2.4	Protocol Related Registers .....	19-37 [2]
19.2.5	Operating the Input Stages .....	19-40 [2]
19.2.6	Input Stage Registers .....	19-42 [2]
19.2.7	Operating the Baud Rate Generator .....	19-44 [2]
19.2.8	Baud Rate Generator Registers .....	19-49 [2]
19.2.9	Operating the Transmit Data Path .....	19-54 [2]
19.2.10	Operating the Receive Data Path .....	19-58 [2]
19.2.11	Transfer Control and Status Registers .....	19-60 [2]
19.2.12	Data Buffer Registers .....	19-72 [2]
19.2.13	Operating the FIFO Data Buffer .....	19-82 [2]
19.2.14	FIFO Buffer and Bypass Registers .....	19-91 [2]
19.3	Asynchronous Serial Channel (ASC = UART) .....	19-112 [2]
19.3.1	Signal Description .....	19-112 [2]
19.3.2	Frame Format .....	19-113 [2]
19.3.3	Operating the ASC .....	19-116 [2]
19.3.4	ASC Protocol Registers .....	19-124 [2]
19.3.5	Hardware LIN Support .....	19-129 [2]
19.4	Synchronous Serial Channel (SSC) .....	19-130 [2]
19.4.1	Signal Description .....	19-130 [2]
19.4.2	Operating the SSC .....	19-138 [2]
19.4.3	Operating the SSC in Master Mode .....	19-141 [2]
19.4.4	Operating the SSC in Slave Mode .....	19-148 [2]
19.4.5	SSC Protocol Registers .....	19-150 [2]
19.4.6	SSC Timing Considerations .....	19-154 [2]
19.5	Inter-IC Bus Protocol (IIC) .....	19-158 [2]
19.5.1	Introduction .....	19-158 [2]
19.5.2	Operating the IIC .....	19-162 [2]
19.5.3	Symbol Timing .....	19-168 [2]
19.5.4	Data Flow Handling .....	19-171 [2]
19.5.5	IIC Protocol Registers .....	19-176 [2]
19.6	IIS Protocol .....	19-181 [2]



**Preliminary**

**Table Of Contents**

19.6.1	Introduction . . . . .	19-181 [2]
19.6.2	Operating the IIS . . . . .	19-185 [2]
19.6.3	Operating the IIS in Master Mode . . . . .	19-190 [2]
19.6.4	Operating the IIS in Slave Mode . . . . .	19-194 [2]
19.6.5	IIS Protocol Registers . . . . .	19-195 [2]
19.7	USIC Implementation in XC2000 . . . . .	19-199 [2]
19.7.1	Implementation Overview . . . . .	19-199 [2]
19.7.2	Channel Features . . . . .	19-200 [2]
19.7.3	Address Map . . . . .	19-200 [2]
19.7.4	Interrupt Control Registers . . . . .	19-201 [2]
19.7.5	Input/Output Connections . . . . .	19-203 [2]
<b>20</b>	<b>Controller Area Network (MultiCAN) Controller . . . . .</b>	<b>20-1 [2]</b>
20.1	MultiCAN Short Description . . . . .	20-1 [2]
20.1.1	Overview . . . . .	20-1 [2]
20.1.2	CAN Features . . . . .	20-2 [2]
20.2	CAN Functional Description . . . . .	20-4 [2]
20.2.1	Conventions and Definitions . . . . .	20-4 [2]
20.2.2	Introduction . . . . .	20-4 [2]
20.2.3	CAN Node Control . . . . .	20-10 [2]
20.2.4	Message Object List Structure . . . . .	20-14 [2]
20.2.5	CAN Node Analysis Features . . . . .	20-19 [2]
20.2.6	Message Acceptance Filtering . . . . .	20-22 [2]
20.2.7	Message Postprocessing Interface . . . . .	20-25 [2]
20.2.8	Message Object Data Handling . . . . .	20-29 [2]
20.2.9	Message Object Functionality . . . . .	20-36 [2]
20.2.10	MultiCAN Kernel Registers . . . . .	20-45 [2]
20.2.11	CAN Node Specific Registers . . . . .	20-62 [2]
20.2.12	Message Object Registers . . . . .	20-79 [2]
20.3	General Control and Status . . . . .	20-102 [2]
20.3.1	Clock Control . . . . .	20-102 [2]
20.3.2	Port Input Control . . . . .	20-103 [2]
20.3.3	Suspend Mode . . . . .	20-104 [2]
20.3.4	Interrupt Structure . . . . .	20-105 [2]
20.4	MultiCAN Module Implementation . . . . .	20-106 [2]
20.4.1	Interfaces of the CAN Module . . . . .	20-106 [2]
20.4.2	Module Clock Generation . . . . .	20-107 [2]
20.4.3	Mode Control Behavior . . . . .	20-116 [2]
20.4.4	Mode Control . . . . .	20-117 [2]
20.4.5	Mode Control Register Description . . . . .	20-119 [2]
20.4.6	Connection of External Signals . . . . .	20-122 [2]
20.4.7	MultiCAN Module Register Address Map . . . . .	20-125 [2]
	<b>Keyword Index . . . . .</b>	<b>21-1 [2]</b>



**Register Index** ..... 22-5 [2]

## **1 Introduction**

The rapidly growing area of embedded control applications is representing one of the most time-critical operating environments for today's microcontrollers. Complex control algorithms have to be processed based on a large number of digital as well as analog input signals, and the appropriate output signals must be generated within a defined maximum response time. Embedded control applications also are often sensitive to board space, power consumption, and overall system cost.

Embedded control applications therefore require microcontrollers, which:

- offer a high level of system integration
- eliminate the need for additional peripheral devices and the associated software overhead
- provide system security and fail-safe mechanisms
- provide effective means to control (and reduce) the device's power consumption

The increasing complexity of embedded control applications requires microcontrollers for new high-end embedded control systems to possess a significant increase in CPU performance and peripheral functionality over conventional 8-bit controllers. To achieve this high performance goal Infineon has decided to develop its families of 16-bit CMOS microcontrollers without the constraints of backward compatibility.

Nonetheless the architectures of the 16-bit microcontroller families pursue successful hardware and software concepts, which have been established in Infineon's popular 8-bit controller families.

This established functionality, which has been the basis for system solutions in a wide range of application areas, is amended with flexible peripheral modules and effective power control features. The sum of this provides the prerequisites for powerful, yet efficient systems-on-chip.

## About this Manual

This manual describes the functionality of a number of 16-bit microcontrollers of the Infineon XC2000 Family.

These microcontrollers provide identical functionality to a large extent, but each device type has specific unique features as indicated here.

The descriptions in this manual cover a superset of the provided features and refer to the following derivatives:

**Table 1-1 XC2000 Derivative Synopsis**

Derivative <sup>1)</sup>	Package	CCU6 Mod.	ADC <sup>2)</sup> Chan.	Interfaces
XC2287-xxF66L	LQFP-144	0, 1, 2, 3	16 + 8	5 CAN Nodes, 6 Serial Channels
XC2286-xxF66L	LQFP-144	0, 1	16 + 8	3 CAN Nodes, 6 Serial Channels
XC2285-xxF66L	LQFP-144	0, 1	12	2 CAN Nodes, 4 Serial Channels
XC2267-xxF66L	LQFP-100	0, 1, 2, 3	8 + 8	5 CAN Nodes, 6 Serial Channels
XC2264-xxF66L	LQFP-100	0, 1	8	2 CAN Nodes, 4 Serial Channels
XC2387-xxF66L	LQFP-144	0, 1	16 + 8	3 CAN Nodes, 6 Serial Channels
XC2365-xxF66L	LQFP-100	0, 1	11 + 5	3 CAN Nodes, 6 Serial Channels

<sup>1)</sup> The derivatives are available with various memory sizes. For details, please refer to the corresponding Data Sheets.

<sup>2)</sup> Analog input channels are listed for each Analog/Digital Converter module separately.

This manual is valid for these derivatives and describes all variations of the different available temperature ranges and packages.

For simplicity, these various device types are referred to by the collective term **XC2000** throughout this manual. The complete pro-electron conforming designations are listed in the respective Data Sheets.

Some sections of this manual do not refer to all of the XC2000 derivatives which are currently available or planned (such as devices with different types of on-chip memory or peripherals). These sections contain respective notes wherever possible.

## 1.1 Members of the 16-bit Microcontroller Family

The microcontrollers in the Infineon 16-bit family have been designed to meet the high performance requirements of real-time embedded control applications. The architecture of this family has been optimized for high instruction throughput and minimized response time to external stimuli (interrupts). Intelligent peripheral subsystems have been integrated to reduce the need for CPU intervention to a minimum extent. This also minimizes the need for communication via the external bus interface. The high flexibility of this architecture allows to serve the diverse and varying needs of different application areas such as automotive, industrial control, or data communications.

The core of the 16-bit family has been developed with a modular family concept in mind. All family members execute an efficient control-optimized instruction set (additional instructions for members of the second generation). This allows easy and quick implementation of new family members with different internal memory sizes and technologies, different sets of on-chip peripherals, and/or different numbers of IO pins.

The XBUS/LXBus concept (internal representation of the external bus interface) provides a straightforward path for building application-specific derivatives by integrating application-specific peripheral modules with the standard on-chip peripherals.

As programs for embedded control applications become larger, high level languages are favored by programmers, because high level language programs are easier to write, to debug and to maintain. The C166 Family supports this starting with its 2<sup>nd</sup> generation.

The 80C166-type microcontrollers were the **first generation** of the 16-bit controller family. These devices established the C166 architecture.

The C165-type and C167-type devices are members of the **second generation** of this family. This second generation is even more powerful due to additional instructions for HLL support, an increased address space, increased internal RAM, and highly efficient management of various resources on the external bus.

**Enhanced derivatives** of this second generation provide more features such as additional internal high-speed RAM, an integrated CAN-Module, an on-chip PLL, etc.

The design of more efficient systems may require the integration of application-specific peripherals to boost system performance while minimizing the part count. These efforts are supported by the XBUS, defined for the Infineon 16-bit microcontrollers (second generation). The XBUS is an internal representation of the external bus interface which opens and simplifies the integration of peripherals by standardizing the required interface. One representative taking advantage of this technology is the integrated CAN module.

The C165-type devices are reduced functionality versions of the C167 because they do not have the A/D converter, the CAPCOM units, and the PWM module. This results in a smaller package, reduced power consumption, and design savings.

The C164-type devices, the C167CS derivatives, and some of the C161-type devices are further enhanced by a flexible power management and form the **third generation** of

the 16-bit controller family. This power management mechanism provides an effective means to control the power that is consumed in a certain state of the controller and thus minimizes the overall power consumption for a given application.

The XC16x derivatives represent the **fourth generation** of the 16-bit controller family. The XC166 Family dramatically increases the performance of 16-bit microcontrollers by several major improvements and additions. The MAC-unit adds DSP-functionality to handle digital filter algorithms and greatly reduces the execution time of multiplications and divisions. The 5-stage pipeline, single-cycle execution of most instructions, and PEC-transfers within the complete addressing range increase system performance. Debugging the target system is supported by integrated functions for On-Chip Debug Support (OCDS).

The present XC2000 Family of microcontrollers builds the **fifth generation** of 16-bit microcontrollers which provides 32-bit performance and takes users and applications a considerable step towards industry's target of systems on chip. Integrated memories and peripherals allow compact systems, the integrated core power supply and control reduces system requirements to one single voltage supply, the powerful combination of CPU and MAC-unit is unleashed by optimized compilers. This leaves no performance gap towards 32-bit systems.

A variety of different versions is provided which offer various kinds of on-chip program memory<sup>1)</sup>:

- Mask-programmable ROM
- Flash memory
- OTP memory
- ROMless without non-volatile memory.

Also there are devices with specific functional units.

The devices may be offered in different packages, temperature ranges and speed classes.

Additional standard and application-specific derivatives are planned and are in development.

*Note: Not all derivatives will be offered in all temperature ranges, speed classes, packages, or program memory variations.*

Information about specific versions and derivatives will be made available with the devices themselves. Contact your Infineon representative for up-to-date material or refer to <http://www.infineon.com/microcontrollers>.

*Note: As the architecture and the basic features, such as the CPU core and built-in peripherals, are identical for most of the currently offered versions of the XC2000, descriptions within this manual that refer to the "XC2000" also apply to the other variations, unless otherwise noted.*

<sup>1)</sup> Not all derivatives are offered with all kinds of on-chip memory.

## **1.2 Summary of Basic Features**

The XC2000 devices are enhanced members of the Infineon family of full featured 16-bit single-chip CMOS microcontrollers. The XC2000 combines the extended functionality and performance of the C166SV2 Core with powerful on-chip peripheral subsystems and on-chip memory units and provides several means for power reduction.

The following key features contribute to the high performance of the XC2000:

### **High Performance 16-bit CPU with Five-Stage Pipeline and MAC Unit**

- Single clock cycle instruction execution
- 1 cycle minimum instruction cycle time (most instructions)
- 1 cycle multiplication (16-bit × 16-bit)
- 4 + 17 cycles division (32-bit / 16-bit), 4 cycles delay, 17 cycles background execution
- 1 cycle multiply and accumulate instruction (MAC) execution
- Automatic saturation or rounding included
- Multiple high bandwidth internal data buses
- Register-based design with multiple, variable register banks
- Two additional fast register banks
- Fast context switching support
- 16 Mbytes of linear address space for code and data (von Neumann architecture)
- System stack cache support with automatic stack overflow/underflow detection
- High performance branch, call, and loop processing
- Zero-cycle jump execution

### **Control Oriented Instruction Set with High Efficiency**

- Bit, byte, and word data types
- Flexible and efficient addressing modes for high code density
- Enhanced boolean bit manipulation with direct addressability of 6 Kbits for peripheral control and user-defined flags
- Hardware traps to identify exception conditions during runtime
- HLL support for semaphore operations and efficient data access

### **Power Management Features**

- Two IO power domains fulfill system requirements from 3 V to 5 V
- Separately controllable core power domains support wake-up via external triggers or on-chip timer while drastically reducing the power consumption
- Gated clock concept for improved power consumption and EMC
- Programmable system slowdown via clock generation unit
- Flexible management of peripherals, can be individually disabled
- Programmable frequency output

**Integrated On-Chip Memories**

- 1 Kbyte on-chip Stand-By RAM (SBRAM) for data to be preserved during power-saving
- 2 Kbytes Dual-Port RAM (DPRAM) for variables, register banks, and stacks
- 16 Kbytes on-chip high-speed Data SRAM (DSRAM) for variables and stacks
- Up to 64 Kbytes on-chip high-speed Program/Data SRAM (PSRAM) for code and data
- Up to 764 Kbytes on-chip Flash Program Memory for instruction code or constant data

*Note: The system stack can be located in any memory area within the complete addressing range.*

**16-Priority-Level Interrupt System**

- 96 interrupt nodes with separate interrupt vectors on 15 priority levels (8 group levels)
- 7 cycles minimum interrupt latency in case of internal program execution
- Fast external interrupts
- Programmable external interrupt source selection
- Programmable vector table (start location and step-width)

**8-Channel Peripheral Event Controller (PEC)**

- Interrupt driven single cycle data transfer
- Programmable PEC interrupt request level, (15 down to 8)
- Transfer count option  
(standard CPU interrupt after programmable number of PEC transfers)
- Separate interrupt level for PEC termination interrupts selectable
- Overhead from saving and restoring system state for interrupt requests eliminated
- Full 24-bit addresses for source and destination pointers, supporting transfers within the total address space

**Intelligent On-Chip Peripheral Subsystems**

- Two synchronizable A/D Converters with programmable resolution (10-bit or 8-bit) and conversion time (down to approx. 1  $\mu$ s), up to 24 analog input channels, auto scan modes, channel injection, data reduction features
- One Capture/Compare Unit with 2 independent time bases, very flexible PWM unit/event recording unit with different operating modes, includes two 16-bit timers/counters, maximum resolution  $f_{SYS}$
- Up to Four Capture/Compare Units for flexible PWM Signal Generation (CCU6) (3/6 Capture/Compare Channels and 1 Compare Channel)
- Two Multifunctional General Purpose Timer Units:
  - GPT1: three 16-bit timers/counters, maximum resolution  $f_{SYS}/4$
  - GPT2: two 16-bit timers/counters, maximum resolution  $f_{SYS}/2$
- Six Serial Channels with baud rate generator, receive/transmit FIFOs, programmable data length and shift direction, usable as UART, SPI-like, IIC, IIS, and LIN interface



- Controller Area Network (MultiCAN) Module, Rev. 2.0B active, up to five nodes operating independently or exchanging data via a gateway function, Full-CAN/Basic-CAN
- Real Time Clock with alarm interrupt
- Watchdog Timer with programmable time intervals
- Bootstrap Loader for flexible system initialization
- Protection management for system configuration and control registers

**On-Chip Debug Support**

- On-chip debug controller and related interface to JTAG controller
- JTAG interface and break interface
- Hardware, software and external pin breakpoints
- Up to 4 instruction pointer breakpoints
- Debug event control, e.g. with monitor call or CPU halt or trigger of data transfer
- Dedicated DEBUG instructions with control via JTAG interface
- Access to any internal register or memory location via JTAG interface
- Single step support and watchpoints with MOV-injection

**Up to 118 IO Lines With Individual Bit Addressability**

- Tri-stated in input mode
- Push/pull or open drain output mode
- Programmable port driver control
- Two I/O power domains with a supply voltage range from 3.0 V to 5.5 V (core-logic and oscillator input voltage is 1.5 V)

**Various Temperature Ranges**

- -40 to +85 °C
- -40 to +125 °C<sup>1)</sup>

**Infineon CMOS Process**

- Low power CMOS technology enables power saving Idle, Sleep, and Power Down modes with flexible power management.

**Green Plastic Low-Profile Quad Flat Pack (LQFP) Packages**

- PG-LQFP-144, 20 × 20 mm body, 0.5 mm (19.7 mil) lead spacing, surface mount technology
- PG-LQFP-100, 14 × 14 mm body, 0.5 mm (19.7 mil) lead spacing, surface mount technology

<sup>1)</sup> Not all derivatives are offered in all temperature ranges.

**Complete Development Support**

For the development tool support of its microcontrollers, Infineon follows a clear third party concept. Currently around 120 tool suppliers world-wide, ranging from local niche manufacturers to multinational companies with broad product portfolios, offer powerful development tools for the Infineon C500, C800, XC800, C166, XC166, and TriCore microcontroller families, guaranteeing a remarkable variety of price-performance classes as well as early availability of high quality key tools such as compilers, assemblers, simulators, debuggers or in-circuit emulators.

Infineon incorporates its strategic tool partners very early into the product development process, making sure embedded system developers get reliable, well-tuned tool solutions, which help them unleash the power of Infineon microcontrollers in the most effective way and with the shortest possible learning curve.

The tool environment for the Infineon 16-bit microcontrollers includes the following tools:

- Compilers (C/C++)
- Macro-assemblers, linkers, locators, library managers, format-converters
- Architectural simulators
- HLL debuggers
- Real-time operating systems
- VHDL chip models
- In-circuit emulators (based on bondout or standard chips)
- Plug-in emulators
- Emulation and clip-over adapters, production sockets
- Logic analyzer disassemblers
- Starter kits
- Evaluation boards with monitor programs
- Industrial boards (also for CAN, FUZZY, PROFIBUS, FORTH applications)
- Low level driver software (CAN, PROFIBUS, LIN)
- Chip configuration code generation tool (DAvE)

### **1.3 Abbreviations**

The following acronyms and terms are used within this document:

ADC	Analog Digital Converter
ALE	Address Latch Enable
ALU	Arithmetic and Logic Unit
ASC	Asynchronous/synchronous Serial Channel
CAN	Controller Area Network (License Bosch)
CAPCOM	CAPture and COMpare unit
CISC	Complex Instruction Set Computing
CMOS	Complementary Metal Oxide Silicon
CPU	Central Processing Unit
DMU	Data Management Unit
EBC	External Bus Controller
ESFR	Extended Special Function Register
EVVR	Embedded Validated Voltage Regulator
Flash	Non-volatile memory that may be electrically erased
GPR	General Purpose Register
GPT	General Purpose Timer unit
HLL	High Level Language
IIC	Inter Integrated Circuit (Bus)
IIS	Inter Integrated Circuit Sound (Bus)
IO	Input/Output
JTAG	Joint Test Access Group
LIN	Local Interconnect Network
LQFP	Low Profile Quad Flat Pack
LXBus	Internal representation of the external bus
MAC	Multiply/Accumulate (unit)
OCDS	On-Chip Debug Support
OTP	One-Time Programmable memory
PEC	Peripheral Event Controller
PLA	Programmable Logic Array

PLL	Phase Locked Loop
PMU	Program Management Unit
PVC	Power Validation Circuit
PWM	Pulse Width Modulation
RAM	Random Access Memory
RISC	Reduced Instruction Set Computing
ROM	Read Only Memory
RTC	Real Time Clock
SFR	Special Function Register
SSC	Synchronous Serial Channel
SWD	Supply Watchdog
UART	Universal Asynchronous Receiver/Transmitter
USIC	Universal Serial Interface Channel

## 1.4 Naming Conventions

The manifold bitfields used for control functions and status indication and the registers housing them are equipped with unique names wherever applicable. Thereby these control structures can be referred to by their names rather than by their location. This makes the descriptions by far more comprehensible.

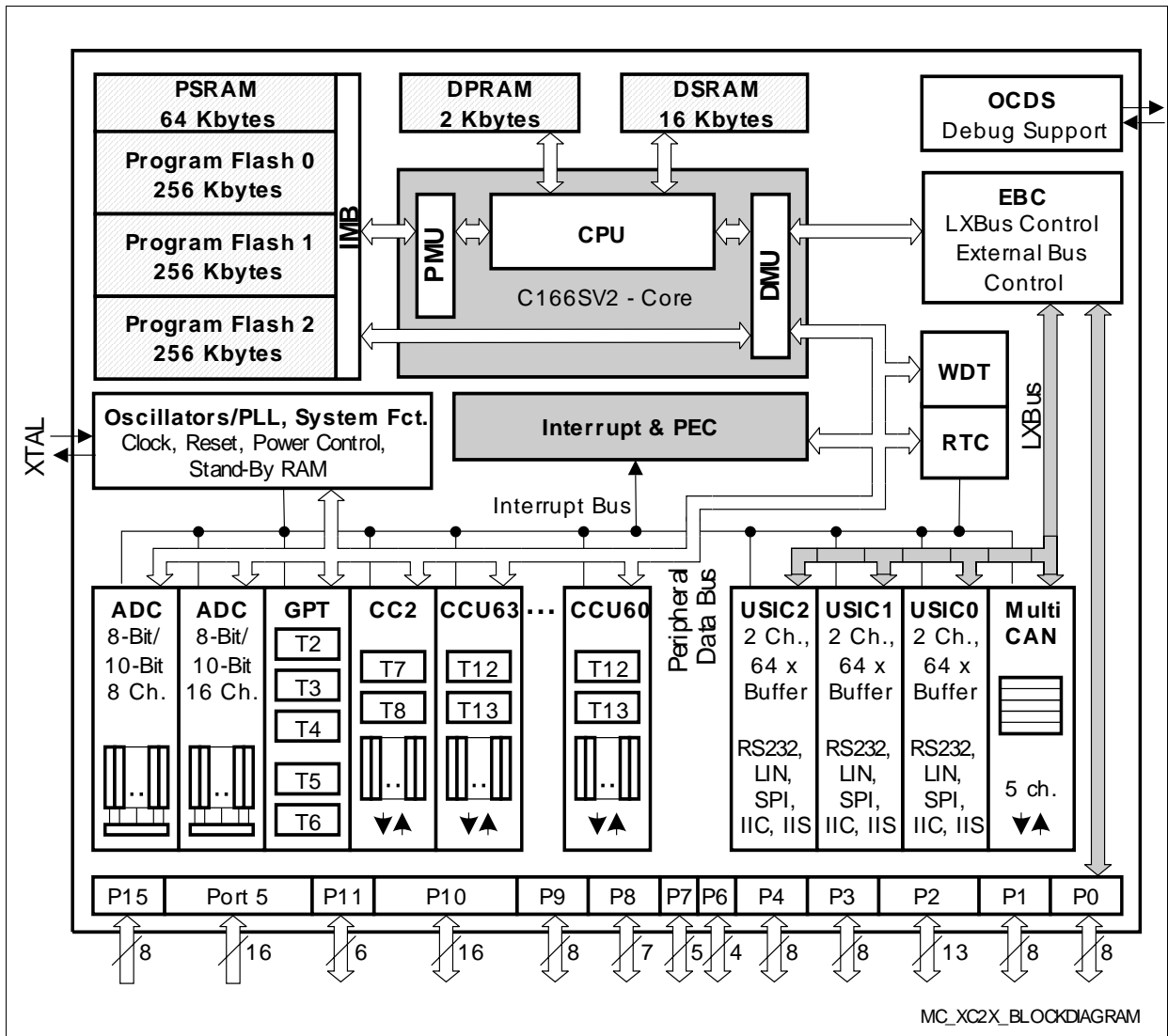
To describe regular structures (such as ports) indices are used instead of a plethora of similar bit names, so bit 3 of port 5 is referred to as P5.3.

Where it helps to clarify the relation between several named structures, the next higher level is added to the respective name to make it unambiguous.

The term ADC0\_GLOBCTR clearly identifies register GLOBCTR as part of module ADC0, the term SYSCON0.CLKSEL clearly identifies bitfield CLKSEL as part of register SYSCON0.

## 2 Architectural Overview

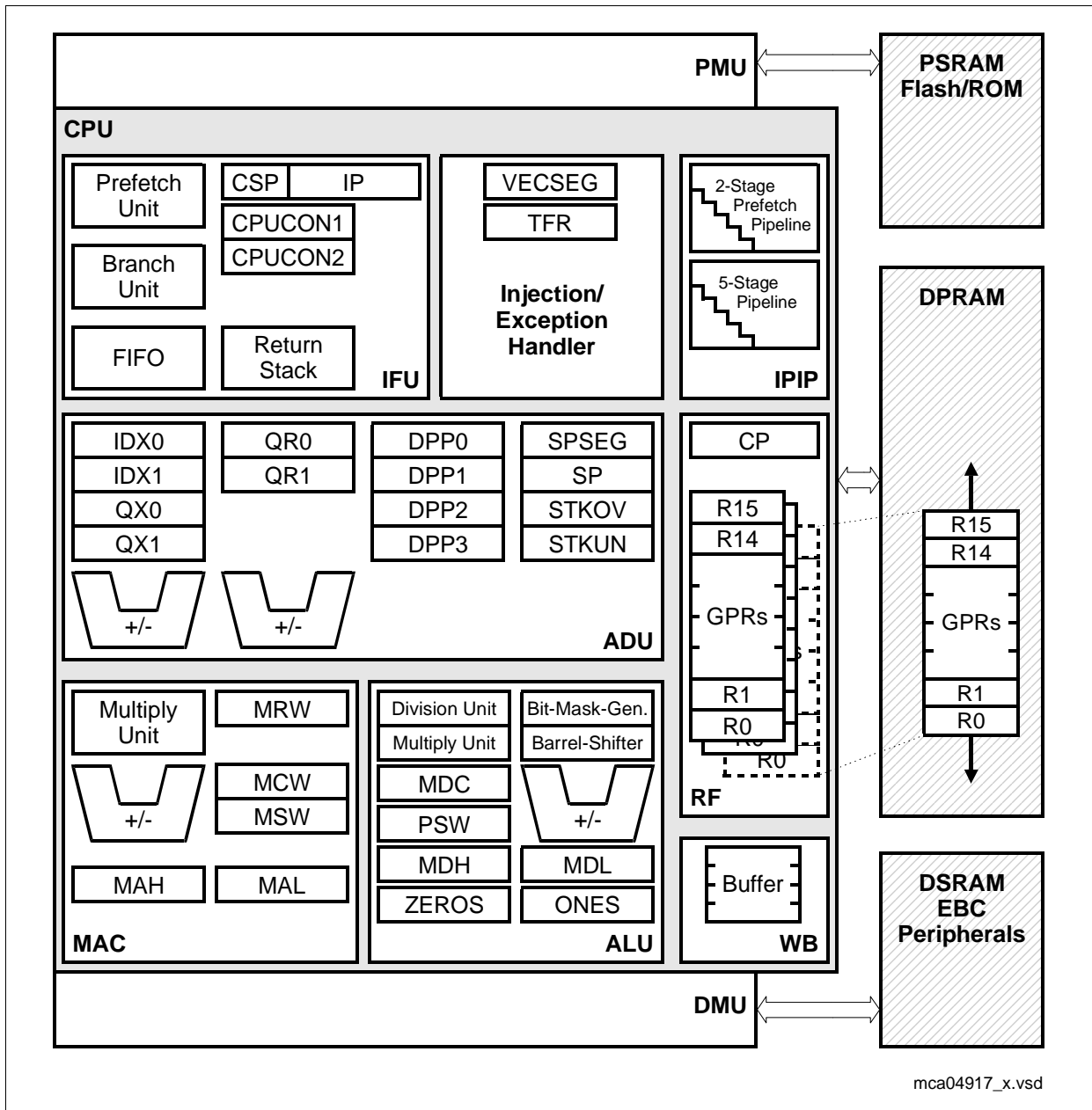
The architecture of the XC2000 core combines the advantages of both RISC and CISC processors in a very well-balanced way. This computing and controlling power is completed by the DSP-functionality of the MAC-unit. The XC2000 integrates this powerful CPU core with a set of powerful peripheral units into one chip and connects them very efficiently. On-chip memory blocks with dedicated buses and control units store code and data. This combination of features results in a high performance microcontroller, which is the right choice not only for today's applications, but also for future engineering challenges. One of the buses used concurrently on the XC2000 is the LXBus, an internal representation of the external bus interface. This bus provides a standardized method for integrating additional application-specific peripherals into derivatives of the standard XC2000.



**Figure 2-1 XC2000 Functional Block Diagram**

## 2.1 Basic CPU Concepts and Optimizations

The main core of the CPU consists of a set of optimized functional units including the instruction fetch/processing pipelines, a 16-bit Arithmetic and Logic Unit (ALU), a 40-bit Multiply and Accumulate Unit (MAC), an Address and Data Unit (ADU), an Instruction Fetch Unit (IFU), a Register File (RF), and dedicated Special Function Registers (SFRs). Single clock cycle execution of instructions results in superior CPU performance, while maintaining C166 code compatibility. Impressive DSP performance, concurrent access to different kinds of memories and peripherals boost the overall system performance.



**Figure 2-2 CPU Block Diagram**

## Summary of CPU Features

- Opcode fully upward compatible with C166 Family
- 2-stage instruction fetch pipeline with FIFO for instruction pre-fetching
- 5-stage instruction execution pipeline
- Pipeline forwarding controls data dependencies in hardware
- Multiple high bandwidth buses for data and instructions
- Linear address space for code and data (von Neumann architecture)
- Nearly all instructions executed in one CPU clock cycle
- Fast multiplication (16-bit  $\times$  16-bit) in one CPU clock cycle
- Fast background execution of division (32-bit/16-bit) in 21 CPU clock cycles
- Built-in advanced MAC (Multiply Accumulate) Unit:
  - Single cycle MAC instruction with zero cycle latency including a 16  $\times$  16 multiplier
  - 40-bit barrel shifter and 40-bit accumulator to handle overflows
  - Automatic saturation to 32 bits or rounding included with the MAC instruction
  - Fractional numbers supported directly
  - One Finite Impulse Response Filter (FIR) tap per cycle with no circular buffer management
- Enhanced boolean bit manipulation facilities
- High performance branch-, call-, and loop-processing
- Zero cycle jump execution
- Register-based design with multiple variable register banks (byte or word operands)
- Two additional fast register banks
- Variable stack with automatic stack overflow/underflow detection
- “Fast interrupt” and “Fast context switch” features

The high performance and flexibility of the CPU is achieved by a number of optimized functional blocks (see [Figure 2-2](#)). Optimizations of the functional blocks are described in detail in the following sections.

### **2.1.1 High Instruction Bandwidth/Fast Execution**

Based on the hardware provisions, most of the XC2000's instructions can be executed in just one clock cycle ( $1/f_{SYS}$ ). This includes arithmetic instructions, logic instructions, and move instructions with most addressing modes.

Special instructions such as JMPS take more than one machine cycle. Divide instructions are mainly executed in the background, so other instructions can be executed in parallel. Due to the prediction mechanism (see [Section 4.2](#)), correctly predicted branch instructions require only one cycle or can even be overlaid with another instruction (zero-cycle jump).

The instruction cycle time is dramatically reduced through the use of instruction pipelining. This technique allows the core CPU to process portions of multiple sequential instruction stages in parallel. Up to seven stages can operate in parallel:

**The two-stage instruction fetch pipeline** fetches and preprocesses instructions from the respective program memory:

**PREFETCH:** Instructions are prefetched from the PMU in the predicted order. The instructions are preprocessed in the branch detection unit to detect branches. The prediction logic determines if branches are assumed to be taken or not.

**FETCH:** The instruction pointer for the next instruction to be fetched is calculated according to the branch prediction rules. The branch folding unit preprocesses detected branches and combines them with the preceding instructions to enable zero-cycle branch execution. Prefetched instructions are stored in the instruction FIFO, while stored instructions are moved from the instruction FIFO to the instruction processing pipeline.

**The five-stage instruction processing pipeline** executes the respective instructions:

**DECODE:** The previously fetched instruction is decoded and the GPR used for indirect addressing is read from the register file, if required.

**ADDRESS:** All operand addresses are calculated. For instructions implicitly accessing the stack the stack pointer (SP) is decremented or incremented.

**MEMORY:** All required operands are fetched.

**EXECUTE:** The specified operation (ALU or MAC) is performed on the previously fetched operands. The condition flags are updated. Explicit write operations to CPU-SFRs are executed. GPRs used for indirect addressing are incremented or decremented, if required.

**WRITE BACK:** The result operands are written to the specified locations. Operands located in the DPRAM are stored via the write-back buffer.



## 2.1.2 Powerful Execution Units

**The 16-bit Arithmetic and Logic Unit (ALU)** performs all standard (word) arithmetic and logical operations. Additionally, for byte operations, signals are provided from bits 6 and 7 of the ALU result to set the condition flags correctly. Multiple precision arithmetic is provided through a 'CARRY-IN' signal to the ALU from previously calculated portions of the desired operation.

Most internal execution blocks have been optimized to perform operations on either 8-bit or 16-bit quantities. Instructions have been provided as well to allow byte packing in memory while providing sign extension of bytes for word wide arithmetic operations. The internal bus structure also allows transfers of bytes or words to or from peripherals based on the peripheral requirements.

A set of consistent flags is updated automatically in the PSW after each arithmetic, logical, shift, or movement operation. These flags allow branching on specific conditions. Support for both signed and unsigned arithmetic is provided through user-specifiable branch tests. These flags are also preserved automatically by the CPU upon entry into an interrupt or trap routine.

A 16-bit barrel shifter provides multiple bit shifts in a single cycle. Rotates and arithmetic shifts are also supported.

**The Multiply and Accumulate Unit (MAC)** performs extended arithmetic operations such as 32-bit addition, 32-bit subtraction, and single-cycle 16-bit  $\times$  16-bit multiplication. The combined MAC operations (multiplication with cumulative addition/subtraction) represent the major part of the DSP performance of the CPU.

**The Address Data Unit (ADU)** contains two independent arithmetic units to generate, calculate, and update addresses for data accesses. The ADU performs the following major tasks:

- The Standard Address Unit supports linear arithmetic for the short, long, and indirect addressing modes. It also supports data paging and stack handling.
- The DSP Address Generation Unit contains an additional set of address pointers and offset registers which are used in conjunction with the CoXXX instructions only.

The CPU provides a lot of powerful addressing modes for word, byte, and bit data accesses (short, long, indirect). The different addressing modes use different formats and have different scopes.

Dedicated bit processing instructions provide efficient control and testing of peripherals while enhancing data manipulation. These instructions provide direct access to two operands in the bit-addressable space without requiring them to be moved into temporary flags. Logical instructions allow the user to compare and modify a control bit for a peripheral in one instruction. Multiple bit shift instructions (single cycle execution) avoid long instruction streams of single bit shift operations. Bitfield instructions allow the modification of multiple bits from one operand in a single instruction.

### 2.1.3 High Performance Branch-, Call-, and Loop-Processing

Pipelined execution delivers maximum performance with a stream of subsequent instructions. Any disruption requires the pipeline to be refilled and the new instruction to step through the pipeline stages. Due to the high percentage of branching in controller applications, branch instructions have been optimized to require pipeline refilling only in special cases. This is realized by detecting and preprocessing branch instructions in the prefetch stage and by predicting the respective branch target address.

Prefetching then continues from the predicted target address. If the prediction was correct subsequent instructions can be fed to the execution pipeline without a gap, even if a branch is executed, i.e. the code execution is not linear. Branch target prediction (see also [Section 4.2.1](#)) uses the following rules:

- **Unconditional branches:** Branch prediction is trivial in this case, as the branches will always be taken and the target address is defined. This applies to implicitly unconditional branches such as JMPS, CALLR, or RET as well as to branches with condition code “unconditional” such as JMPI cc\_UC.
- **Fixed prediction:** Branch instructions which are often used to realize loops are assumed to be taken if they branch backward to a previous location (the begin of the loop). This applies to conditional branches such as JMPR cc\_XX or JNB.
- **Variable prediction:** In this case the respective prediction (taken or not taken) is coded into the instruction and can, therefore, be selected for each individual branch instruction. Thus, the software designer can optimize the instruction flow to the specific code to be executed<sup>1)</sup>. This applies to the branch instructions JMPA and CALLA.
- **Conditional indirect branches:** These branches are always assumed to be not taken. This applies to branch instructions JMPI cc\_XX, [Rw] and CALLI cc\_XX, [Rw].

The system state information is saved automatically on the internal system stack, thus avoiding the use of instructions to preserve state upon entry and exit of interrupt or trap routines. Call instructions push the value of the IP on the system stack, and require the same execution time as branch instructions. Additionally, instructions have been provided to support indirect branch and call instructions. This feature supports implementation of multiple CASE statement branching in assembler macros and high level languages.

<sup>1)</sup> The programming tools accept either dedicated mnemonics for each prediction leaving the choice up to programmer, or they accept generic mnemonics and apply their own prediction rules.

### **2.1.4 Consistent and Optimized Instruction Formats**

To obtain optimum performance in a pipelined design, an instruction set has been designed which incorporates concepts from Reduced Instruction Set Computing (RISC). These concepts primarily allow fast decoding of the instructions and operands while reducing pipeline holds. These concepts, however, do not preclude the use of complex instructions required by microcontroller users. The instruction set was designed to meet the following goals:

- Provide powerful instructions for frequently-performed operations which traditionally have required sequences of instructions. Avoid transfer into and out of temporary registers such as accumulators and carry bits. Perform tasks in parallel such as saving state upon entry into interrupt routines or subroutines.
- Avoid complex encoding schemes by placing operands in consistent fields for each instruction and avoid complex addressing modes which are not frequently used. Consequently, the instruction decode time decreases and the development of compilers and assemblers is simplified.
- Provide most frequently used instructions with one-word instruction formats. All other instructions use two-word formats. This allows all instructions to be placed on word boundaries: this alleviates the need for complex alignment hardware. It also has the benefit of increasing the range for relative branching instructions.

The high performance of the CPU-hardware can be utilized efficiently by a programmer by means of the highly functional XC2000 instruction set which includes the following instruction classes:

- Arithmetic Instructions
- DSP Instructions
- Logical Instructions
- Boolean Bit Manipulation Instructions
- Compare and Loop Control Instructions
- Shift and Rotate Instructions
- Prioritize Instruction
- Data Movement Instructions
- System Stack Instructions
- Jump and Call Instructions
- Return Instructions
- System Control Instructions
- Miscellaneous Instructions

Possible operand types are bits, bytes, words, and doublewords. Specific instructions support the conversion (extension) of bytes to words. Various direct, indirect, and immediate addressing modes are provided to specify the required operands.

### **2.1.5 Programmable Multiple Priority Interrupt System**

The XC2000 provides 96 separate interrupt nodes that may be assigned to 16 priority levels with 8 group priorities on each level. Most interrupt sources are connected to a dedicated interrupt node. In some cases, multi-source interrupt nodes are incorporated for efficient use of system resources. These nodes can be activated by several source requests and are controlled via interrupt subnode control registers.

The following enhancements within the XC2000 allow processing of a large number of interrupt sources:

- **Peripheral Event Controller (PEC):** This processor is used to off-load many interrupt requests from the CPU. It avoids the overhead of entering and exiting interrupt or trap routines by performing single-cycle interrupt-driven byte or word data transfers between any two locations with an optional increment of the PEC source pointer, the destination pointer, or both. Only one cycle is 'stolen' from the current CPU activity to perform a PEC service.
- **Multiple Priority Interrupt Controller:** This controller allows all interrupts to be assigned any specified priority. Interrupts may also be grouped, which enables the user to prevent similar priority tasks from interrupting each other. For each of the interrupt nodes, there is a separate control register which contains an interrupt request flag, an interrupt enable flag, and an interrupt priority bitfield. After being accepted by the CPU, an interrupt service can be interrupted only by a higher prioritized service request. For standard interrupt processing, each of the interrupt nodes has a dedicated vector location.
- **Multiple Register Banks:** Two local register banks for immediate context switching add to a relocatable global register bank. The user can specify several register banks located anywhere in the internal DPRAM and made of up to sixteen general purpose registers. A single instruction switches from one register bank to another (switching banks flushes the pipeline, changing the global bank requires a validation sequence).

The XC2000 is capable of reacting very quickly to non-deterministic events because its interrupt response time is within a very narrow range of typically 7 clock cycles (in the case of internal program execution). Its fast external interrupt inputs are sampled every clock cycle and allow even very short external signals to be recognized.

The XC2000 also provides an excellent mechanism to identify and process exceptions or error conditions that arise during run-time, so called 'Hardware Traps'. A hardware trap causes an immediate non-maskable system reaction which is similar to a standard interrupt service (branching to a dedicated vector table location). The occurrence of a hardware trap is additionally signified by an individual bit in the trap flag register (TFR). Unless another, higher prioritized, trap service is in progress, a hardware trap will interrupt any current program execution. In turn, a hardware trap service can normally not be interrupted by a standard or PEC interrupt.

Software interrupts are supported by means of the 'TRAP' instruction in combination with an individual trap (interrupt) number.

## 2.1.6 Interfaces to System Resources

The CPU of the XC2000 interfaces to the system resources via several bus systems which contribute to the overall performance by transferring data concurrently. This avoids stalling the CPU because instructions or operands need to be transferred.

The Dual Port RAM (DPRAM) is directly coupled to the CPU because it houses the global register banks. Transfers from/to these locations affect the performance and are, therefore, carefully optimized.

**The Program Management Unit (PMU)** controls accesses to the on-chip program memory blocks such as the ROM/Flash module and the Program/Data RAM (PSRAM) and also fetches instructions from external memory.

The 64-bit interface between the PMU and the CPU delivers the instruction words, which are requested by the CPU. The PMU decides whether the requested instruction word has to be fetched from on-chip memory or from external memory.

**The Data Management Unit (DMU)** controls accesses to the on-chip Data RAM (DSRAM), to the on-chip peripherals connected to the peripheral bus, and to resources on the external bus. External accesses (including accesses to peripherals connected to the on-chip LXBus) are executed by the External Bus Controller (EBC).

The 16-bit interface between the DMU and the CPU handles all data transfers (operands). Data accesses by the CPU are distributed to the appropriate buses according to the defined address map.

PMU and DMU are directly coupled to perform cross-over transfers with high speed. Crossover transfers are executed in both directions:

- **PMU via DMU:** Code fetches from external locations are redirected via the DMU to EBC. Thus, the XC2000 can execute code from external resources. No code can be fetched from the Data RAM (DSRAM).
- **DMU via PMU:** Data accesses can also be executed to on-chip resources controlled by the PMU. This includes the following types of transfers:
  - Read a constant from the on-chip program ROM/Flash
  - Read data from the on-chip PSRAM
  - Write data to the on-chip PSRAM (required prior to executing out of it)
  - Program/Erase the on-chip Flash memory

## **2.2 On-Chip System Resources**

The XC2000 controllers provide a number of powerful system resources designed around the CPU. The combination of CPU and these resources results in the high performance of the members of this controller family.

### **Peripheral Event Controller (PEC) and Interrupt Control**

The Peripheral Event Controller enables response to an interrupt request with a single data transfer (word or byte) which consumes only one instruction cycle and does not require saving and restoring the machine status. Each interrupt source is prioritized for every machine cycle in the interrupt control block. If PEC service is selected, a PEC transfer is started. If CPU interrupt service is requested, the current CPU priority level stored in the PSW register is tested to determine whether a higher priority interrupt is currently being serviced. When an interrupt is acknowledged, the current state of the machine is saved on the internal system stack and the CPU branches to the system specific vector for the peripheral.

The PEC contains a set of SFRs which store the count value and control bits for eight data transfer channels. In addition, the PEC uses a dedicated area of RAM which contains the source and destination addresses. The PEC is controlled in a manner similar to any other peripheral: through SFRs containing the desired configuration of each channel.

An individual PEC transfer counter is implicitly decremented for each PEC service except in the continuous transfer mode. When this counter reaches zero, a standard interrupt is performed to the vector location related to the corresponding source. PEC services are very well suited, for example, to moving register contents to/from a memory table. The XC2000 has eight PEC channels, each of which offers such fast interrupt-driven data transfer capabilities.

### **Memory Areas**

The memory space of the XC2000 is configured in a Von Neumann architecture. This means that code memory, data memory, registers, and IO ports are organized within the same linear address space which covers up to 16 Mbytes. The entire memory space can be accessed bitwise or wordwise. Particular portions of the on-chip memory have been made directly bit addressable as well.

*Note: The actual memory sizes depend on the selected device type. This overview describes the maximum block sizes.*

**768 Kbytes of on-chip Flash memory** store code or constant data. The on-chip Flash memory consists of 3 Flash modules, each organized as 64 4-Kbyte sectors. Each sector can be separately write protected<sup>1)</sup>, erased and programmed (in blocks of 128 bytes). The complete Flash area can be read-protected. A user-defined password sequence temporarily unlocks protected areas. The Flash modules combine 128-bit

read accesses with protected and efficient writing algorithms for programming and erasing. Dynamic error correction provides extremely high read data security for all read accesses. Accesses to different Flash modules can be executed in parallel.

*Note: Program execution from on-chip program memory is the fastest of all possible alternatives and results in maximum performance. The type of the on-chip program memory depends on the chosen derivative. On-chip program memory also includes the PSRAM.*

**64 Kbytes of on-chip Program SRAM (PSRAM)** are provided to store user code or data. The PSRAM is accessed via the PMU and is, therefore, optimized for code fetches. A section of the PSRAM with programmable size can be write-protected.

**16 Kbytes of on-chip Data SRAM (DSRAM)** are provided as a storage for general user data. The DSRAM is accessed via a separate interface and is, therefore, optimized for data accesses.

**2 Kbytes of on-chip Dual-Port RAM (DPRAM)** are provided as a storage for user defined variables, for the system stack, and in particular for general purpose register banks. A register bank can consist of up to 16 wordwide (R0 to R15) and/or byte-wide (RL0, RH0, ..., RL7, RH7) so-called General Purpose Registers (GPRs).

The upper 256 bytes of the DPRAM are directly bitaddressable. When used by a GPR, any location in the DPRAM is bitaddressable.

**1 Kbyte of on-chip Stand-By SRAM (SBRAM)** is provided as a storage for system-relevant user data that must be preserved while the major part of the device is powered down. The SBRAM is accessed via a specific interface and is powered via domain M.

The CPU has an actual register context of up to 16 wordwide and/or byte-wide global GPRs at its disposal, which are physically located within the on-chip RAM area. A Context Pointer (CP) register determines the base address of the active global register bank to be accessed by the CPU at a time. The number of register banks is restricted only by the available internal RAM space. For easy parameter passing, a register bank may overlap other register banks.

A system stack of up to 32 Kwords is provided as storage for temporary data. The system stack can be located anywhere within the complete addressing range and it is accessed by the CPU via the Stack Pointer (SP) register and the Stack Pointer Segment (SPSEG) register. Two separate SFRs, STKOV and STKUN, are implicitly compared against the stack pointer value upon each stack access for the detection of a stack overflow or underflow. This mechanism also supports the control of a bigger virtual stack. Maximum performance for stack operations is achieved by allocating the system stack to internal data RAM areas (DPRAM, DSRAM).

<sup>1)</sup> To save control bits, sectors are clustered for protection purposes, they remain separate for programming/erasing.

Hardware detection of the selected memory space is placed at the internal memory decoders and allows the user to specify any address directly or indirectly and obtain the desired data without using temporary registers or special instructions.

**For Special Function Registers** three areas of the address space are reserved: The standard Special Function Register area (SFR) uses 512 bytes, while the Extended Special Function Register area (ESFR) uses the other 512 bytes. A range of 4 Kbytes is provided for the internal IO area (XSFR). SFRs are worldwide registers which are used for controlling and monitoring functions of the different on-chip units. Unused SFR addresses are reserved for future members of the XC2000 Family with enhanced functionality. Therefore, they should either not be accessed, or written with zeros, to ensure upward compatibility.

In order to meet the needs of designs where more memory is required than is provided on chip, up to 12 Mbytes (approximately, see [Table 2-1](#)) of external RAM and/or ROM can be connected to the microcontroller. The External Bus Interface also provides access to external peripherals.

**Table 2-1 XC2000 Memory Map**

Address Area	Start Loc.	End Loc.	Area Size <sup>1)</sup>	Notes
IMB register space	FF'FF00 <sub>H</sub>	FF'FFFF <sub>H</sub>	256 Bytes	–
Reserved (Access trap)	F0'0000 <sub>H</sub>	FF'FEFF <sub>H</sub>	<1 Mbyte	Minus IMB reg.
Reserved for EPSRAM	E9'0000 <sub>H</sub>	EF'FFFF <sub>H</sub>	448 Kbytes	Mirrors EPSRAM
Emulated PSRAM	E8'0000 <sub>H</sub>	E8'FFFF <sub>H</sub>	64 Kbytes	Flash timing
Reserved for PSRAM	E1'0000 <sub>H</sub>	E7'FFFF <sub>H</sub>	448 Kbytes	Mirrors PSRAM
Program SRAM	E0'0000 <sub>H</sub>	E0'FFFF <sub>H</sub>	64 Kbytes	Maximum speed
Reserved for pr. mem.	CC'0000 <sub>H</sub>	DF'FFFF <sub>H</sub>	<1.25 Mbytes	–
Program Flash 2	C8'0000 <sub>H</sub>	CB'FFFF <sub>H</sub>	256 Kbytes	–
Program Flash 1	C4'0000 <sub>H</sub>	C7'FFFF <sub>H</sub>	256 Kbytes	–
Reserved Sector (PF0)	C3'F000 <sub>H</sub>	C3'FFFF <sub>H</sub>	4 Kbytes	Used internally
Program Flash 0	C0'0000 <sub>H</sub>	C3'EFFF <sub>H</sub>	252 Kbytes	–
External memory area	40'0000 <sub>H</sub>	BF'FFFF <sub>H</sub>	8 Mbytes	–
Available Ext. IO area <sup>2)</sup>	20'5800 <sub>H</sub>	3F'FFFF <sub>H</sub>	< 2 Mbytes	Minus USIC/CAN
USIC registers	20'4000 <sub>H</sub>	20'57FF <sub>H</sub>	6 Kbytes	Accessed via EBC
MultiCAN registers	20'0000 <sub>H</sub>	20'3FFF <sub>H</sub>	16 Kbytes	Accessed via EBC
External memory area	01'0000 <sub>H</sub>	1F'FFFF <sub>H</sub>	< 2 Mbytes	Minus segment 0
SFR area	00'FE00 <sub>H</sub>	00'FFFF <sub>H</sub>	0.5 Kbyte	–
Dual-Port RAM	00'F600 <sub>H</sub>	00'FDFF <sub>H</sub>	2 Kbytes	–



**Table 2-1 XC2000 Memory Map (cont'd)**

<b>Address Area</b>	<b>Start Loc.</b>	<b>End Loc.</b>	<b>Area Size<sup>1)</sup></b>	<b>Notes</b>
Reserved for DPRAM	00'F200 <sub>H</sub>	00'F5FF <sub>H</sub>	1 Kbyte	–
ESFR area	00'F000 <sub>H</sub>	00'F1FF <sub>H</sub>	0.5 Kbyte	–
XSFR area	00'E000 <sub>H</sub>	00'EFFF <sub>H</sub>	4 Kbytes	–
Data SRAM	00'A000 <sub>H</sub>	00'DFFF <sub>H</sub>	16 Kbytes	–
Reserved for DSRAM	00'8000 <sub>H</sub>	00'9FFF <sub>H</sub>	8 Kbytes	–
External memory area	00'0000 <sub>H</sub>	00'7FFF <sub>H</sub>	32 Kbytes	–

1) The areas marked with "<" are slightly smaller than indicated, see column "Notes".

2) Several pipeline optimizations are not active within the external IO area. This is necessary to control external peripherals properly.

*Note: For an overview of the available memory sections for the different derivatives, please refer to [Table 1-1 "XC2000 Derivative Synopsis" on Page 1-2](#).*

## External Bus Interface

To meet the needs of designs where more memory is required than is provided on chip, up to 12 Mbytes of external RAM/ROM/Flash or peripherals can be connected to the XC2000 microcontroller via its external bus interface.

All of the external memory accesses are performed by a particular on-chip External Bus Controller (EBC). It can be programmed either to Single Chip Mode when no external memory is required, or to an external bus mode with the following possible selections<sup>1)</sup>:

- Address Bus Width with a range of 0 ... 24-bit
- Data Bus Width 8-bit or 16-bit
- Bus Operation Multiplexed or Demultiplexed

In the demultiplexed bus modes, addresses are output on Port 0 and Port 1 and data is input/output on Port 10 and Port 2. In the multiplexed bus modes both addresses and data use Port 10 and Port 2 for input/output. The high order address (segment) lines use Port 2. The number of active segment address lines is selectable, restricting the external address space to 8 Mbytes ... 64 Kbytes. This is required when interface lines are assigned to Port 2.

For up to five address areas the bus mode (multiplexed/demultiplexed), the data bus width (8-bit/16-bit) and even the length of a bus cycle (waitstates, signal delays) can be selected independently. This allows access to a variety of memory and peripheral components directly and with maximum efficiency.

Access to very slow memories or modules with varying access times is supported via a particular 'Ready' function. The active level of the control input signal is selectable.

A  $\overline{\text{HOLD}}/\overline{\text{HLDA}}$  protocol is available for bus arbitration and allows the sharing of external resources with other bus masters.

The external bus timing is related to the rising edge of the reference clock output CLKOUT. The external bus protocol is compatible with that of the standard C166 Family.

For applications which require less than 64 Kbytes of address space, a non-segmented memory model can be selected, where all locations can be addressed by 16 bits. Thus, the upper Port 2 is not needed as an output for the upper address bits (Axx ... A16), as is the case when using the segmented memory model.

The EBC also controls accesses to resources connected to the **on-chip LXBus**. The LXBus is an internal representation of the external bus and allows accessing integrated peripherals and modules in the same way as external components.

The MultiCAN module and the USIC modules are connected to and accessed via the LXBus.

<sup>1)</sup> Bus modes are switched dynamically if several address windows with different mode settings are used.

## **2.3 On-Chip Peripheral Blocks**

The XC2000 Family clearly separates peripherals from the core. This structure permits the maximum number of operations to be performed in parallel and allows peripherals to be added or deleted from family members without modifications to the core. Each functional block processes data independently and communicates information over common buses. Peripherals are controlled by data written to the respective Special Function Registers (SFRs). These SFRs are located within either the standard SFR area (00'FE00<sub>H</sub> ... 00'FFFF<sub>H</sub>), the extended ESFR area (00'F000<sub>H</sub> ... 00'F1FF<sub>H</sub>), or within the internal IO area (00'E000<sub>H</sub> ... 00'EFFF<sub>H</sub>).

These built-in peripherals either allow the CPU to interface with the external world or provide functions on-chip that otherwise would need to be added externally in the respective system.

The XC2000 generic peripherals are:

- Two General Purpose Timer Blocks (GPT1 and GPT2)
- A Watchdog Timer
- A Capture/Compare unit (CAPCOM2)
- Up to Four Enhanced Capture/Compare units (CCU60, CCU61, CCU62, CCU63)
- Two 10-bit Analog/Digital Converters (ADC0, ADC1)
- A Real Time Clock (RTC)
- Thirteen I/O ports with a total of 118(75) I/O lines

Because the LXBus is the internal representation of the external bus, it does not support bit-addressing. Accesses are executed by the EBC as if it were external accesses. The LXBus connects on-chip peripherals to the CPU:

- MultiCAN module with up to 5 CAN nodes and gateway functionality
- Three Serial Interface Modules providing six serial channels

Each peripheral also contains a set of Special Function Registers (SFRs) which control the functionality of the peripheral and temporarily store intermediate data results. Each peripheral has an associated set of status flags. Individually selected clock signals are generated for each peripheral from binary multiples of the master clock.

*Note: For an overview of the available peripherals for the different derivatives, please refer to [Table 1-1 "XC2000 Derivative Synopsis" on Page 1-2](#).*

## Peripheral Interfaces

The on-chip peripherals generally have two different types of interfaces: an interface to the CPU and an interface to external hardware. Communication between the CPU and peripherals is performed through Special Function Registers (SFRs) and interrupts. The SFRs serve as control/status and data registers for the peripherals. Interrupt requests are generated by the peripherals based on specific events which occur during their operation, such as operation complete, error, etc.

To interface with external hardware, specific pins of the parallel ports are used, when an input or output function has been selected for a peripheral. During this time, the port pins are controlled either by the peripheral (when used as outputs) or by the external hardware which controls the peripheral (when used as inputs). This is called the 'alternate (input or output) function' of a port pin, in contrast to its function as a general purpose I/O pin.

## Peripheral Timing

Internal operation of the CPU and peripherals is based on the master clock ( $f_{MC}$ ). The clock generation unit uses the on-chip oscillator to derive the master clock from the crystal or from the external clock signal. The clock signal gated to the peripherals is independent from the clock signal that feeds the CPU. During Idle mode, the CPU's clock is stopped while the peripherals continue their operation. Peripheral SFRs may be accessed by the CPU once per state. When an SFR is written to by software in the same state where it is also to be modified by the peripheral, the software write operation has priority. Further details on peripheral timing are included in the specific sections describing each peripheral.

## Programming Hints

- **Access to SFRs:** All SFRs reside in data page 3 of the memory space. The following addressing mechanisms allow access to the SFRs:
  - Indirect or direct addressing with **16-bit (mem) addresses** must guarantee that the used data page pointer (DPP0 ... DPP3) selects data page 3.
  - Accesses via the Peripheral Event Controller (**PEC**) use the SRCPx and DSTPx pointers instead of the data page pointers.
  - **Short 8-bit (reg) addresses** to the standard SFR area do not use the data page pointers but directly access the registers within this 512-byte area.
  - **Short 8-bit (reg) addresses** to the extended **ESFR** area require switching to the 512-byte Extended SFR area. This is done via the EXTension instructions EXTR, EXTP(R), EXTS(R).
- **Byte Write Operations** to wordwide SFRs via indirect or direct 16-bit (mem) addressing or byte transfers via the PEC force zeros in the non-addressed byte. Byte write operations via short 8-bit (reg) addressing can access only the low byte of an SFR and force zeros in the high byte. It is therefore recommended, to use the bitfield

instructions (BFLDL and BFLDH) to write to any number of bits in either byte of an SFR without disturbing the non-addressed byte and the unselected bits.

- **Reserved Bits:** Some of the bits which are contained in the XC2000's SFRs are marked as 'Reserved'. User software should never write '1's to reserved bits. These bits are currently not implemented and may be used in future products to invoke new functions. In that case, the active state for those new functions will be '1', and the inactive state will be '0'. Therefore writing only '0's to reserved locations allows portability of the current software to future devices. After read accesses, reserved bits should be ignored or masked out.

### **Capture/Compare Unit (CAPCOM2)**

The CAPCOM units support generation and control of timing sequences on up to 16 channels with a maximum resolution of 1 system clock cycle (8 cycles in staggered mode). The CAPCOM unit is typically used to handle high speed I/O tasks such as pulse and waveform generation, pulse width modulation (PMW), Digital to Analog (D/A) conversion, software timing, or time recording relative to external events.

Two 16-bit timers (T7/T8) with reload registers provide two independent time bases for each capture/compare register.

The input clock for the timers is programmable to several prescaled values of the internal system clock, or may be derived from an overflow/underflow of timer T6 in module GPT2. This provides a wide range of variation for the timer period and resolution and allows precise adjustments to the application specific requirements. In addition, external count inputs for CAPCOM timer T7 allow event scheduling for the capture/compare registers relative to external events.

The capture/compare register array contains 16 dual purpose capture/compare registers, each of which may be individually allocated to either CAPCOM timer T7 or T8 and programmed for capture or compare function.

All registers of each module have each one port pin associated with it which serves as an input pin for triggering the capture function, or as an output pin to indicate the occurrence of a compare event.

**Table 2-2 Compare Modes (CAPCOM2)**

Compare Modes	Function
Mode 0	Interrupt-only compare mode; several compare interrupts per timer period are possible
Mode 1	Pin toggles on each compare match; several compare events per timer period are possible
Mode 2	Interrupt-only compare mode; only one compare interrupt per timer period is generated
Mode 3	Pin set '1' on match; pin reset '0' on compare timer overflow; only one compare event per timer period is generated
Double Register Mode	Two registers operate on one pin; pin toggles on each compare match; several compare events per timer period are possible
Single Event Mode	Generates single edges or pulses; can be used with any compare mode

When a capture/compare register has been selected for capture mode, the current contents of the allocated timer will be latched ('captured') into the capture/compare register in response to an external event at the port pin which is associated with this register. In addition, a specific interrupt request for this capture/compare register is generated. Either a positive, a negative, or both a positive and a negative external signal transition at the pin can be selected as the triggering event.

The contents of all registers which have been selected for one of the five compare modes are continuously compared with the contents of the allocated timers.

When a match occurs between the timer value and the value in a capture/compare register, specific actions will be taken based on the selected compare mode.

**Capture/Compare Units CCU6**

The CCU6 units support generation and control of timing sequences on up to three 16-bit capture/compare channels plus one independent 16-bit compare channel.

In compare mode, the CCU6 units provide two output signals per channel which have inverted polarity and non-overlapping pulse transitions (deadtime control). The compare channel can generate a single PWM output signal and is further used to modulate the capture/compare output signals.

In capture mode the contents of compare timer T12 is stored in the capture registers upon a signal transition at pins CCx.

The output signals can be generated in edge-aligned or center-aligned PWM mode. They are generated continuously or in single-shot mode.

Compare timers T12 and T13 are free running timers which are clocked by the prescaled system clock.

For motor control applications (brushless DC-drives) both subunits may generate versatile multichannel PWM signals which are basically either controlled by compare timer T12 or by a typical hall sensor pattern at the interrupt inputs (block commutation). The latter mode provides noise filtering for the hall inputs and supports automatic rotational speed measurement.

The trap function offers a fast emergency stop without CPU activity. Triggered by an external signal ( $\overline{\text{CTRAP}}$ ) the outputs are switched to selectable logic levels which can be adapted to the connected power stages.

*Note: The number of available CCU6 units and channels depends on the selected device type.*

### **General Purpose Timer (GPT12E) Unit**

The GPT12E unit represents a very flexible multifunctional timer/counter structure which may be used for many different time related tasks such as event timing and counting, pulse width and duty cycle measurements, pulse generation, or pulse multiplication.

The GPT12E unit incorporates five 16-bit timers which are organized in two separate blocks, GPT1 and GPT2. Each timer in each block may operate independently in a number of different modes, or may be concatenated with another timer of the same block.

Each of the three timers T2, T3, T4 of **block GPT1** can be configured individually for one of four basic modes of operation, which are Timer, Gated Timer, Counter, and Incremental Interface Mode. In Timer Mode, the input clock for a timer is derived from the system clock, divided by a programmable prescaler, while Counter Mode allows a timer to be clocked in reference to external events.

Pulse width or duty cycle measurement is supported in Gated Timer Mode, where the operation of a timer is controlled by the 'gate' level on an external input pin. For these purposes, each timer has one associated port pin (TxIN) which serves as gate or clock input. The maximum resolution of the timers in block GPT1 is 4 system clock cycles.

The count direction (up/down) for each timer is programmable by software or may additionally be altered dynamically by an external signal on a port pin (TxEUD) to facilitate e.g. position tracking.

In Incremental Interface Mode the GPT1 timers (T2, T3, T4) can be directly connected to the incremental position sensor signals A and B via their respective inputs TxIN and TxEUD. Direction and count signals are internally derived from these two input signals, so the contents of the respective timer Tx corresponds to the sensor position. The third position sensor signal TOP0 can be connected to an interrupt input.

Timer T3 has an output toggle latch (T3OTL) which changes its state on each timer overflow/underflow. The state of this latch may be output on pin T3OUT e.g. for time out monitoring of external hardware components. It may also be used internally to clock timers T2 and T4 for measuring long time periods with high resolution.

In addition to their basic operating modes, timers T2 and T4 may be configured as reload or capture registers for timer T3. When used as capture or reload registers, timers T2 and T4 are stopped. The contents of timer T3 is captured into T2 or T4 in response to a signal at their associated input pins (TxIN). Timer T3 is reloaded with the contents of T2 or T4 triggered either by an external signal or by a selectable state transition of its toggle latch T3OTL. When both T2 and T4 are configured to alternately reload T3 on opposite state transitions of T3OTL with the low and high times of a PWM signal, this signal can be constantly generated without software intervention.

With its maximum resolution of 2 system clock cycles, the **GPT2 block** provides precise event control and time measurement. It includes two timers (T5, T6) and a capture/reload register (CAPREL). Both timers can be clocked with an input clock which is



**Preliminary****Architectural Overview**

derived from the CPU clock via a programmable prescaler or with external signals. The count direction (up/down) for each timer is programmable by software or may additionally be altered dynamically by an external signal on a port pin (TxEUD). Concatenation of the timers is supported via the output toggle latch (T6OTL) of timer T6, which changes its state on each timer overflow/underflow.

The state of this latch may be used to clock timer T5, and/or it may be output on pin T6OUT. The overflows/underflows of timer T6 can additionally be used to clock the CAPCOM1/2 timers, and to cause a reload from the CAPREL register.

The CAPREL register may capture the contents of timer T5 based on an external signal transition on the corresponding port pin (CAPIN), and timer T5 may optionally be cleared after the capture procedure. This allows the XC2000 to measure absolute time differences or to perform pulse multiplication without software overhead.

The capture trigger (timer T5 to CAPREL) may also be generated upon transitions of GPT1 timer T3's inputs T3IN and/or T3EUD. This is especially advantageous when T3 operates in Incremental Interface Mode.

**Real Time Clock**

The Real Time Clock (RTC) module of the XC2000 is directly clocked via a separate clock driver either with the on-chip auxiliary oscillator frequency ( $f_{RTC} = f_{OSCa}$ ) or with the prescaled on-chip main oscillator frequency ( $f_{RTC} = f_{OSCM}/32$ ). It is therefore independent from the selected clock generation mode of the XC2000.

The RTC basically consists of a chain of divider blocks:

- Selectable 32:1 and 8:1 dividers (on - off)
- The reloadable 16-bit timer T14
- The 32-bit RTC timer block (accessible via registers RTCH and RTCL), made of:
  - a reloadable 10-bit timer
  - a reloadable 6-bit timer
  - a reloadable 6-bit timer
  - a reloadable 10-bit timer

All timers count up. Each timer can generate an interrupt request. All requests are combined to a common node request.

*Note: The registers associated with the RTC are not affected by a functional reset in order to maintain the contents even when intermediate resets are executed.*

The RTC module can be used for different purposes:

- System clock to determine the current time and date
- Cyclic time based interrupt, to provide a system time tick independent of CPU frequency and other resources
- 48-bit timer for long term measurements
- Alarm interrupt for wake-up on a defined time

**A/D Converters**

For analog signal measurement, two 10-bit A/D converters (ADC0, ADC1) with 16 (or 8) multiplexed input channels including a sample and hold circuit have been integrated on-chip. They use the method of successive approximation. The sample time (for loading the capacitors) and the conversion time are programmable and can thus be adjusted to the external circuitry. The A/D converters can also operate in 8-bit conversion mode, where the conversion time is further reduced.

Several independent conversion result registers, selectable interrupt requests, and highly flexible conversion sequences provide a high degree of programmability to fulfill the requirements of the respective application. Both modules can be synchronized to allow parallel sampling of two input channels.

For applications that require more analog input channels, external analog multiplexers can be controlled automatically.

For applications that require less analog input channels, the remaining channel inputs can be used as digital input port pins.

The A/D converters of the XC2000 support two types of request sources which can be triggered by several internal and external events.

- Parallel requests are activated at the same time and then executed in a predefined sequence.
- Queued requests are executed in a user-defined sequence.

In addition, the conversion of a specific channel can be inserted into a running sequence without disturbing this sequence. All requests are arbitrated according to the priority level that has been assigned to them.

Data reduction features, such as limit checking or result accumulation, reduce the number of required CPU accesses and so allow the precise evaluation of analog inputs (high conversion rate) even at low CPU speed.

The Peripheral Event Controller (PEC) may be used to control the A/D converters or to automatically store conversion results into a table in memory for later evaluation, without requiring the overhead of entering and exiting interrupt routines for each data transfer. Therefore, each A/D converter contains 8 result registers which can be concatenated to build a result FIFO. Wait-for-read mode can be enabled for each result register to prevent loss of conversion data.

In order to decouple analog inputs from digital noise and to avoid input trigger noise those pins used for analog input can be disconnected from the digital input stages under software control. This can be selected for each pin separately via registers P5\_DIDIS and P15\_DIDIS (Port x Digital Input Disable).

The Auto-Power-Down feature of the A/D converters minimizes the power consumption when no conversion is in progress.

*Note: The number of available analog channels depends on the selected device type.*

## Universal Serial Interface Channel Modules (USIC)

Each USIC channel can be individually configured to match the application needs, e.g. the protocol can be selected or changed during run time without the need for a reset. The following protocols are supported:

- **UART** (ASC, asynchronous serial channel)
  - module capability: receiver/transmitter with max. baud rate  $f_{\text{sys}}/4$
  - application target baud rate range: 1.2 kBaud to 3.5 MBaud
  - number of data bits per data frame 1 to 63
  - MSB or LSB first
- **LIN** Support by HW (low-cost network, baud rate up to 20 kBaud)
  - data transfers based on ASC protocol
  - baud rate detection possible by built-in capture event of baud rate generator
  - checksum generation under SW control for higher flexibility
- **SSC/SPI** (synchronous serial channel with or without slave select lines)
  - module capability: slave mode with max. baud rate  $f_{\text{sys}}$
  - module capability: master mode with max. baud rate  $f_{\text{sys}}/2$
  - application target baud rate range: 2 kBaud to 10 MBaud
  - number of data bits per data frame 1 to 63, more with explicit stop condition
  - MSB or LSB first
- **IIC** (Inter-IC Bus)
  - application baud rate 100 kBaud to 400 kBaud
  - 7-bit and 10-bit addressing supported
  - full master and slave device capability
- **IIS** (infotainment audio bus)
  - module capability: receiver with max. baud rate  $f_{\text{SYS}}$
  - module capability: transmitter with max. baud rate  $f_{\text{SYS}}/2$
  - application target baud rate range: up to 26 MBaud

In addition to the flexible choice of the communication protocol, the USIC structure has been designed to reduce the system load (CPU load) allowing efficient data handling. The following aspects have been considered:

- **Data buffer capability**

The standard buffer capability includes a double word buffer for receive data and a single word buffer for transmit data. This allows longer CPU reaction times (e.g. interrupt latency).
- **Additional FIFO buffer capability**

In addition to the standard buffer capability, the received data and the data to be transmitted can be buffered in a FIFO buffer structure. The size of the receive and the transmit FIFO buffer can be programmed independently. Depending on the application needs, a total buffer capability of 64 data words can be assigned to the receive and transmit FIFO buffers of a USIC module (the two channels of the USIC module share the 64 data word buffer).

In addition to the FIFO buffer, a bypass mechanism allows the introduction of high-priority data without flushing the FIFO buffer.

- **Transmit control information**

For each data word to be transmitted, a 5-bit transmit control information has been added to automatically control some transmission parameters, such as word length, frame length, or the slave select control for the SPI protocol. The transmit control information is generated automatically by analyzing the address where the user SW has written the data word to be transmitted (32 input locations =  $2^5 = 5$  bit transmit control information).

This feature allows individual handling of each data word, e.g. the transmit control information associated to the data words stored in a transmit FIFO can automatically modify the slave select outputs to select different communication targets (slave devices) without CPU load. Alternatively, it can be used to control the frame length.

- **Flexible frame length control**

The number of bits to be transferred within a data frame is independent of the data word length and can be handled in two different ways. The first option allows automatic generation of frames up to 63 bits with a known length. The second option supports longer frames (even unlimited length) or frames with a dynamically controlled length.

- **Interrupt capability**

The events of each USIC channel can be individually routed to one of 4 service request outputs, depending on the application needs. Furthermore, specific start and end of frame indications are supported in addition to protocol-specific events.

- **Flexible interface routing**

Each USIC channel offers the choice between several possible input and output pins connections for the communications signals. This allows a flexible assignment of USIC signals to pins that can be changed without resetting the device.

- **Input conditioning**

Each input signal is handled by a programmable input conditioning stage with programmable filtering and synchronization capability.

- **Baud rate generation**

Each USIC channel contains an own baud rate generator. The baud rate generation can be based either on the internal module clock or on an external frequency input. This structure allows data transfers with a frequency that can not be generated internally, e.g. to synchronize several communication partners.

- **Transfer trigger capability**

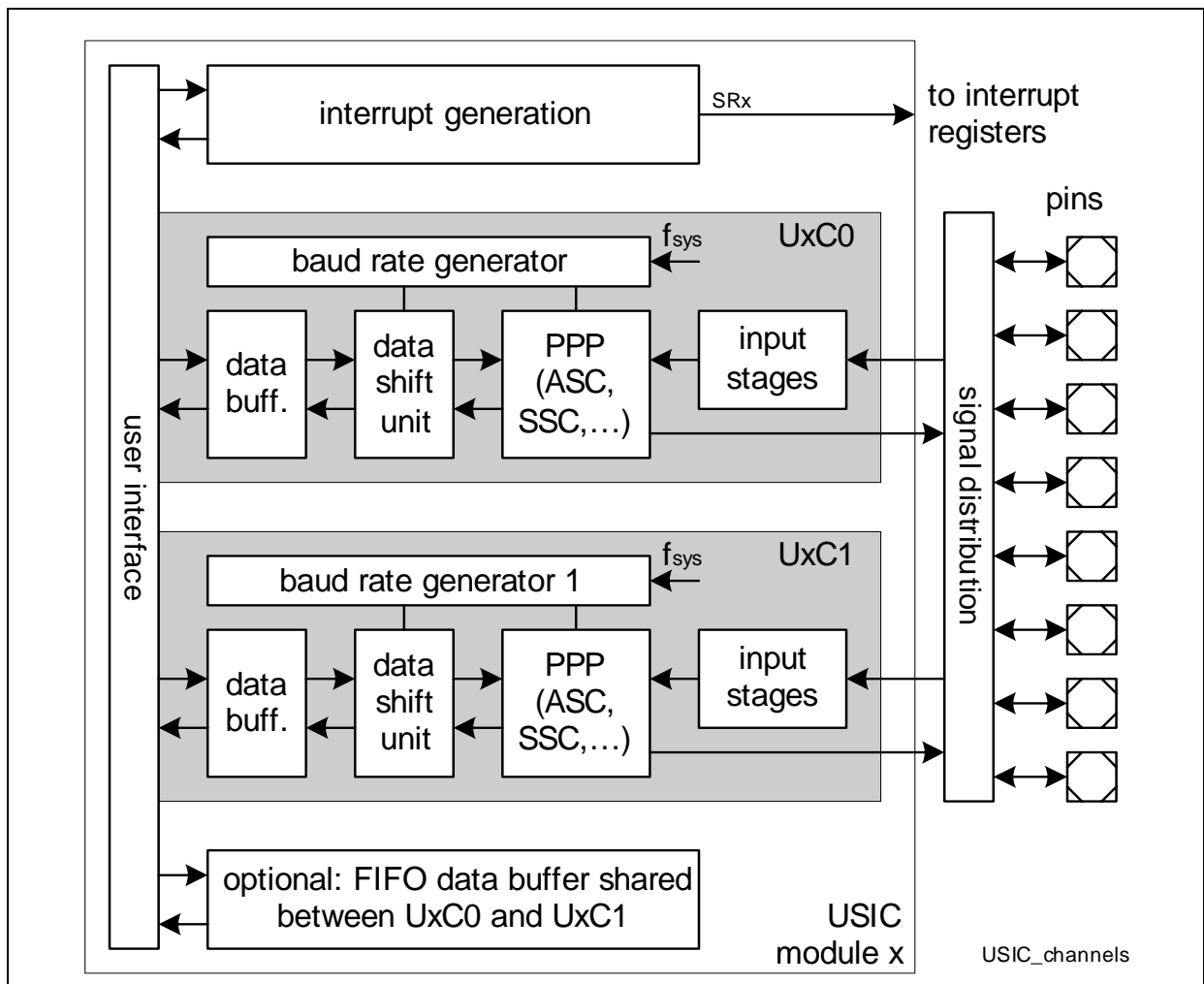
In master mode, data transfers can be triggered events generated outside the USIC module, e.g. at an input pin or a timer unit (transmit data validation). This feature allows time base related data transmission.

- **Debugger support**

The USIC offers specific addresses to read out received data without interaction with the FIFO buffer mechanism. This feature allows debugger accesses without the risk of a corrupted receive data sequence.

To reach a desired baud rate, two criteria have to be respected, the module capability and the application environment. The module capability is defined with respect to the module's input clock frequency  $f_{sys}$ , being the base for the module operation. Although the module's capability being much higher (depending on the module clock and the number of module clock cycles needed to represent a data bit), the reachable baud rate is generally limited by the application environment. In most cases, the application environment limits the maximum reachable baud rate due to driver delays, signal propagation times, or due to EMI reasons.

*Note: Depending on the selected additional functions (such as digital filters, input synchronization stages, sample point adjustment, data structure, etc.), the maximum reachable baud rate can be limited. Please also take care about additional delays, such as (internal or external) propagation delays and driver delays (e.g. for collision detection in ASC mode, for IIC, etc.).*



**Figure 2-3 Channel Structure**

The USIC module contains two independent communication channels, with structure shown in [Figure 2-3](#).

The data shift unit and the data buffering of each channel support full-duplex data transfers. The protocol-specific actions are handled by protocol pre-processors (PPP). In order to simplify data handling, an additional FIFO data buffer is optionally available for each USIC module to store transmit and receive data for each channel. This FIFO data buffer is not necessarily available in all devices (please refer to USIC implementation chapter for details).

Due to the independent channel control and baud rate generation, the communication protocol, baud rate and the data format can be independently programmed for each communication channel.

### MultiCAN Module

The MultiCAN module contains five independently operating CAN nodes with Full-CAN functionality which are able to exchange Data and Remote Frames via a gateway function. Transmission and reception of CAN frames is handled in accordance with CAN specification V2.0 B (active). Each CAN node can receive and transmit standard frames with 11-bit identifiers as well as extended frames with 29-bit identifiers.

*Note: The number of available CAN nodes depends on the selected device type.*

All CAN nodes share a common set of 128 message objects. Each message object can be individually allocated to one of the CAN nodes. Besides serving as a storage container for incoming and outgoing frames, message objects can be combined to build gateways between the CAN nodes or to setup a FIFO buffer.

The message objects are organized in double-chained linked lists, where each CAN node has its own list of message objects. A CAN node stores frames only into message objects that are allocated to its own message object list, and it transmits only messages belonging to this message object list. A powerful, command-driven list controller performs all message object list operations.

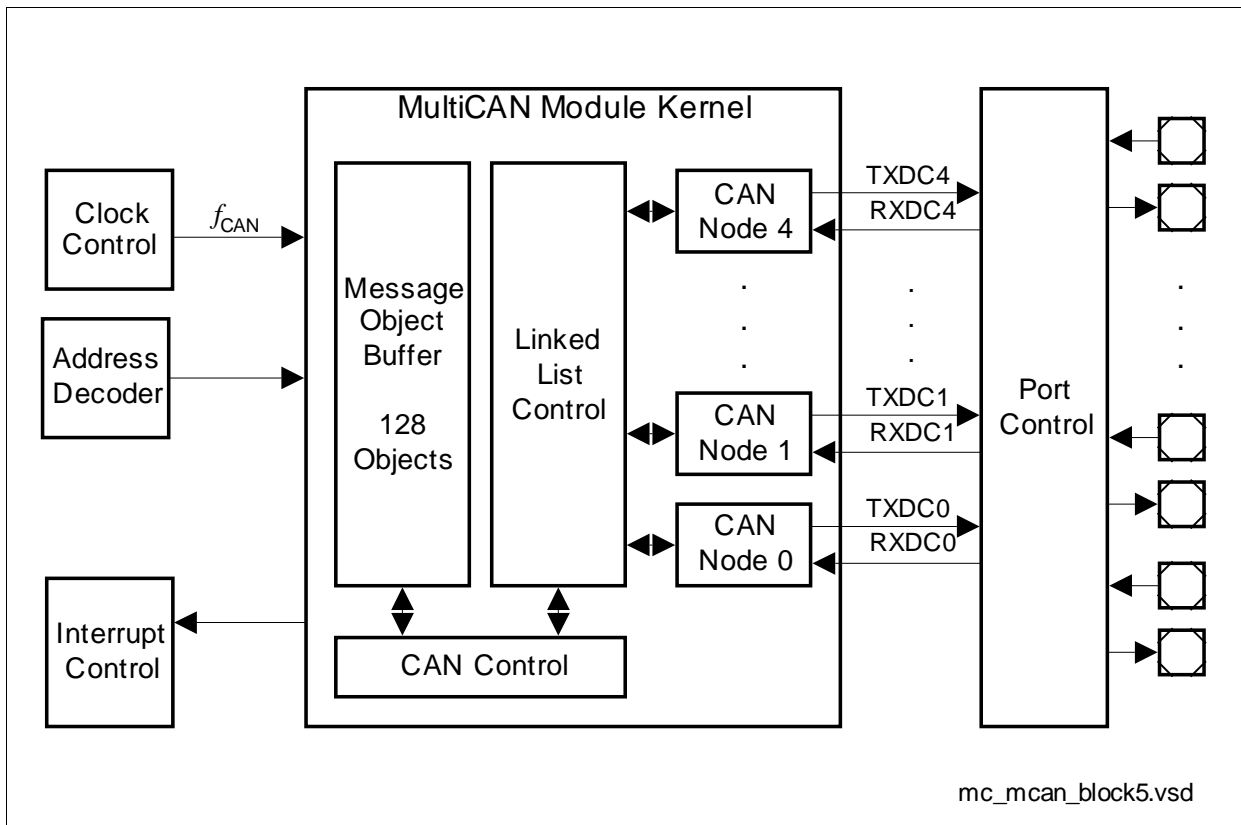


Figure 2-4 Block Diagram of MultiCAN Module



**MultiCAN Features**

- CAN functionality conforms to CAN specification V2.0 B active for each CAN node (compliant to ISO 11898)
- Up to Five independent CAN nodes
- Up to 128 independent message objects (shared by the CAN nodes)
- Dedicated control registers for each CAN node
- Data transfer rate up to 1 Mbit/s, individually programmable for each node
- Flexible and powerful message transfer control and error handling capabilities
- Full-CAN functionality for message objects:
  - Can be assigned to one of the CAN nodes
  - Configurable as transmit or receive objects, or as message buffer FIFO
  - Handle 11-bit or 29-bit identifiers with programmable acceptance mask for filtering
  - Remote Monitoring Mode, and frame counter for monitoring
- Automatic Gateway Mode support
- 16 individually programmable interrupt nodes
- Analyzer mode for CAN bus monitoring

**Watchdog Timer**

The Watchdog Timer represents one of the fail-safe mechanisms which have been implemented to prevent the controller from malfunctioning for longer periods of time.

The Watchdog Timer is always enabled after a reset of the chip, and can be disabled and enabled at any time by executing instructions DISWDT and ENWDT. Thus, the chip's start-up procedure is always monitored. The software has to be designed to restart the Watchdog Timer before it overflows. If, due to hardware or software related failures, the software fails to do so, the Watchdog Timer overflows and generates an internal hardware reset and pulls the RSTOUT pin low in order to allow external hardware components to be reset.

The Watchdog Timer is a 16-bit timer, clocked with the system clock divided by 16,384 or 256. The high byte of the Watchdog Timer register can be set to a prespecified reload value (stored in WDTREL) to allow further variation of the monitored time interval. Each time it is serviced by the application software, the high byte of the Watchdog Timer is reloaded and the low byte is cleared.

Thus, time intervals between 3.9  $\mu$ s and 16.3 s can be monitored (@ 66 MHz). The default Watchdog Timer interval after reset is 6.5 ms (@ 10 MHz).

## Parallel Ports

The XC2000 derivatives are available in two different packages:

- In LQFP-144, they provide up to 118 I/O lines which are organized into 11 input/output ports and 2 input ports.
- In LQFP-100, they provide up to 75 I/O lines which are organized into 7 input/output ports and 2 input ports.

All port lines are bit-addressable, and all input/output lines can be individually (bit-wise) configured via port control registers. This configuration selects the direction (input/output), push/pull or open-drain operation, activation of pull devices, and edge characteristics (shape) and driver characteristics (output current) of the port drivers. The I/O ports are true bidirectional ports which are switched to high impedance state when configured as inputs. During the internal reset, all port pins are configured as inputs without pull devices active.

All port lines have programmable alternate input or output functions associated with them. These alternate functions can be assigned to various port pins to support the optimal utilization for a given application. For this reason, certain functions appear several times in [Table 2-3](#).

All port lines that are not used for these alternate functions may be used as general purpose IO lines.

**Table 2-3 Summary of the XC2000's Parallel Ports**

Port	Width 144 <sup>1)</sup>	Width 100 <sup>1)</sup>	Alternate Functions
Port 0	8	8	Address lines, Serial interface lines of USIC1, CAN0, and CAN1, Input/Output lines for CCU61
Port 1	8	8	Address lines, Serial interface lines of USIC1 and USIC2, Input/Output lines for CCU62, OCDS control, interrupts
Port 2	13	13	Address and/or data lines, bus control, Serial interface lines of USIC0, CAN0, and CAN1, Input/Output lines for CCU60, CCU63, and CAPCOM2, Timer control signals, JTAG, interrupts, system clock output
Port 3	8	---	Bus arbitration signals, Serial interface lines of USIC0, USIC2, CAN3, and CAN4

**Table 2-3 Summary of the XC2000's Parallel Ports (cont'd)**

Port	Width 144 <sup>1)</sup>	Width 100 <sup>1)</sup>	Alternate Functions
Port 4	8	4	Chip select signals, Serial interface lines of CAN2, Input/Output lines for CAPCOM2, Timer control signals
Port 5	16	11	Analog input channels to ADC0, Input/Output lines for CCU6x, Timer control signals, JTAG, OCDS control, interrupts
Port 6	4	3	ADC control lines, Serial interface lines of USIC1, Timer control signals, OCDS control
Port 7	5	5	ADC control lines, Serial interface lines of USIC0 and CAN4, Input/Output lines for CCU62, Timer control signals, JTAG, OCDS control, system clock output
Port 8	7	---	Input/Output lines for CCU60, JTAG, OCDS control
Port 9	8	---	Serial interface lines of USIC2, Input/Output lines for CCU60 and CCU63, OCDS control
Port 10	16	16	Address and/or data lines, bus control, Serial interface lines of USIC0, USIC1, CAN2, CAN3, and CAN4, Input/Output lines for CCU60, JTAG, OCDS control
Port 11	6	---	Input/Output lines for CCU63
Port 15	8	5	Analog input channels to ADC1, Timer control signals

<sup>1)</sup> These columns describe the availability of port pins in the different packages.

## 2.4 Clock Generation

The Clock Generation Unit uses a programmable on-chip PLL with multiple prescalers to generate the clock signals for the XC2000 with high flexibility. The master clock  $f_{MC}$  is the reference clock signal, and is used for TwinCAN and is output to the external system. The CPU clock  $f_{CPU}$  and the system clock  $f_{SYS}$  are derived from the master clock either directly (1:1) or via a 2:1 prescaler ( $f_{SYS} = f_{CPU} = f_{MC}/2$ ).

The on-chip oscillator can drive an external crystal or accepts an external clock signal. The oscillator clock frequency can be multiplied by the on-chip PLL (by a programmable factor) or can be divided by a programmable prescaler factor.

If the bypass mode is used (direct drive or prescaler) the PLL can deliver an independent clock to monitor the clock signal generated by the on-chip oscillator. This PLL clock is independent from the XTAL1 clock. When the expected oscillator clock transitions are missing the Oscillator Watchdog (OWD) activates the PLL Unlock/OWD interrupt node and supplies the CPU with an emergency clock, the PLL clock signal. Under these circumstances the PLL will oscillate with its basic frequency.

**The oscillator watchdog can be disabled** by switching the PLL off. This reduces power consumption, but also no interrupt request will be generated in case of a missing oscillator clock.

## 2.5 Power Management

The XC2000 provides several means to control the power it consumes either at a given time or averaged over a certain timespan. Three mechanisms can be used (partly in parallel):

- **Supply Voltage Management** allows the temporary reduction of the supply voltage of major parts of the logic, or even the complete disconnection. This drastically reduces the power consumed because of leakage current, in particular at high temperature.  
Several power reduction modes provide the optimal balance of power reduction and wake-up time.
- **Clock Generation Management** controls the distribution and the frequency of internal and external clock signals. While the clock signals for currently inactive parts of logic are disabled automatically, the user can reduce the XC2000's CPU clock frequency which drastically reduces the consumed power.  
External circuitry can be controlled via the programmable frequency output FOUT.
- **Peripheral Management** permits temporary disabling of peripheral modules. Each peripheral can separately be disabled/enabled. Also the CPU can be switched off while the peripherals can continue to operate.

Wake-up from power reduction modes can be triggered either externally by signals generated by the external system, or internally by the on-chip wake-up timer, which supports intermittent operation of the XC2000 by generating cyclic wake-up signals. This offers full performance to quickly react on action requests while the intermittent sleep phases greatly reduce the average power consumption of the system.

*Note: When selecting the supply voltage and the clock source and generation method, the required parameters must be carefully written to the respective bitfields, to avoid unintended intermediate states. Recommended sequences are provided which ensure the intended operation of power supply system and clock system.*

## **2.6 On-Chip Debug Support (OCDS)**

The On-Chip Debug Support system provides a broad range of debug and emulation features built into the XC2000. The user software running on the XC2000 can thus be debugged within the target system environment.

The OCDS is controlled by an external debugging device via the debug interface, consisting of the IEEE-1149-conforming JTAG port and a break interface. The debugger controls the OCDS via a set of dedicated registers accessible via the JTAG interface. Additionally, the OCDS system can be controlled by the CPU, e.g. by a monitor program. An injection interface allows the execution of OCDS-generated instructions by the CPU.

Multiple breakpoints can be triggered by on-chip hardware, by software, or by an external trigger input. Single stepping is supported as well as the injection of arbitrary instructions and read/write access to the complete internal address space. A breakpoint trigger can be answered with a CPU-halt, a monitor call, a data transfer, or/and the activation of an external signal.

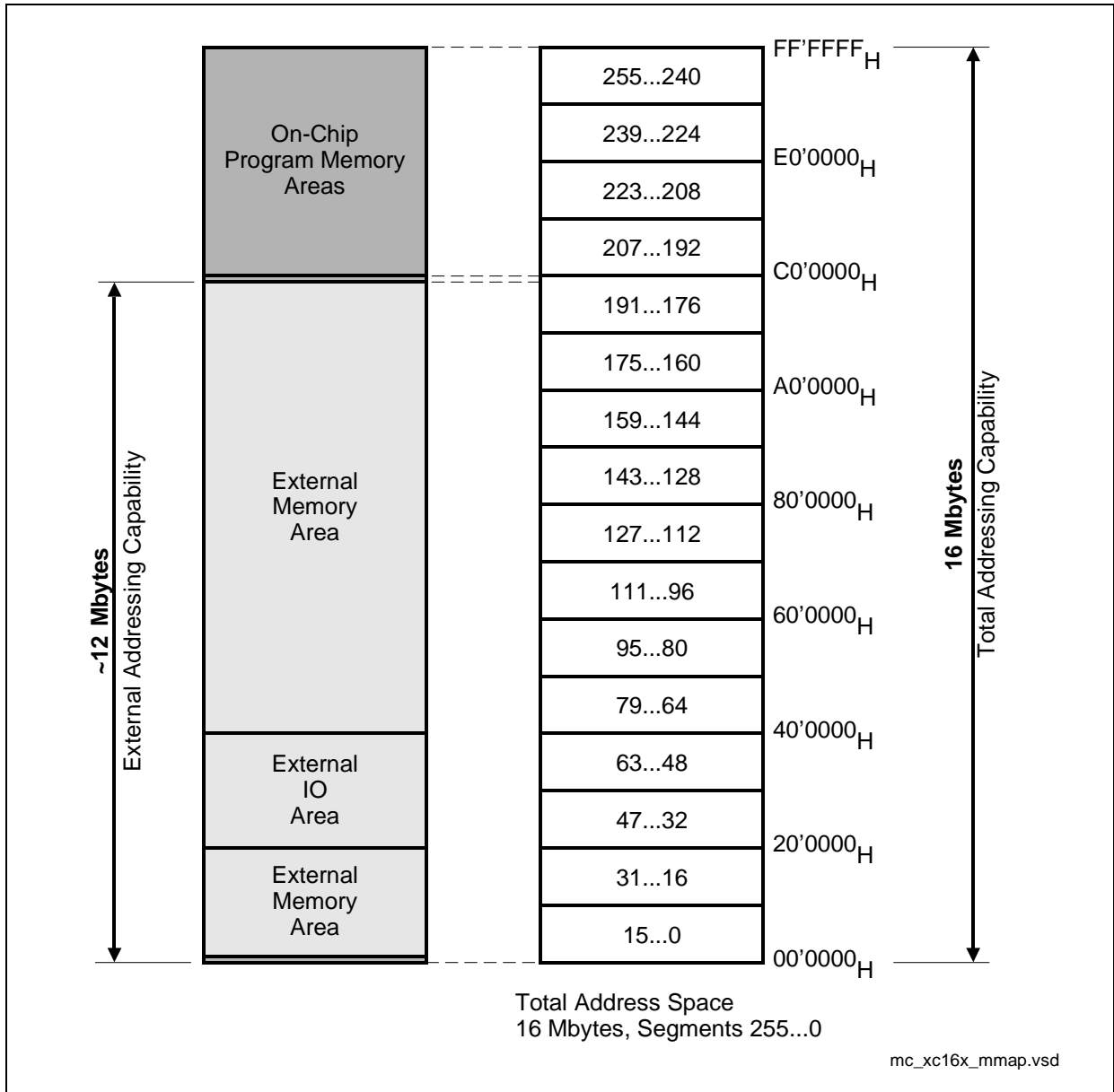
The data transferred at a watchpoint (see above) can be obtained via the JTAG interface or via the external bus interface for increased performance.

The debug interface uses a set of 6 interface signals (4 JTAG lines, 2 break lines) to communicate with external circuitry. These interface signals use dedicated pins.

Complete system emulation is supported by an emulation device. Via this full-featured emulation interface (including internal buses, control, status, and pad signals) the functions of the XC2000 chip can be emulated in an emulation system.

### 3 Memory Organization

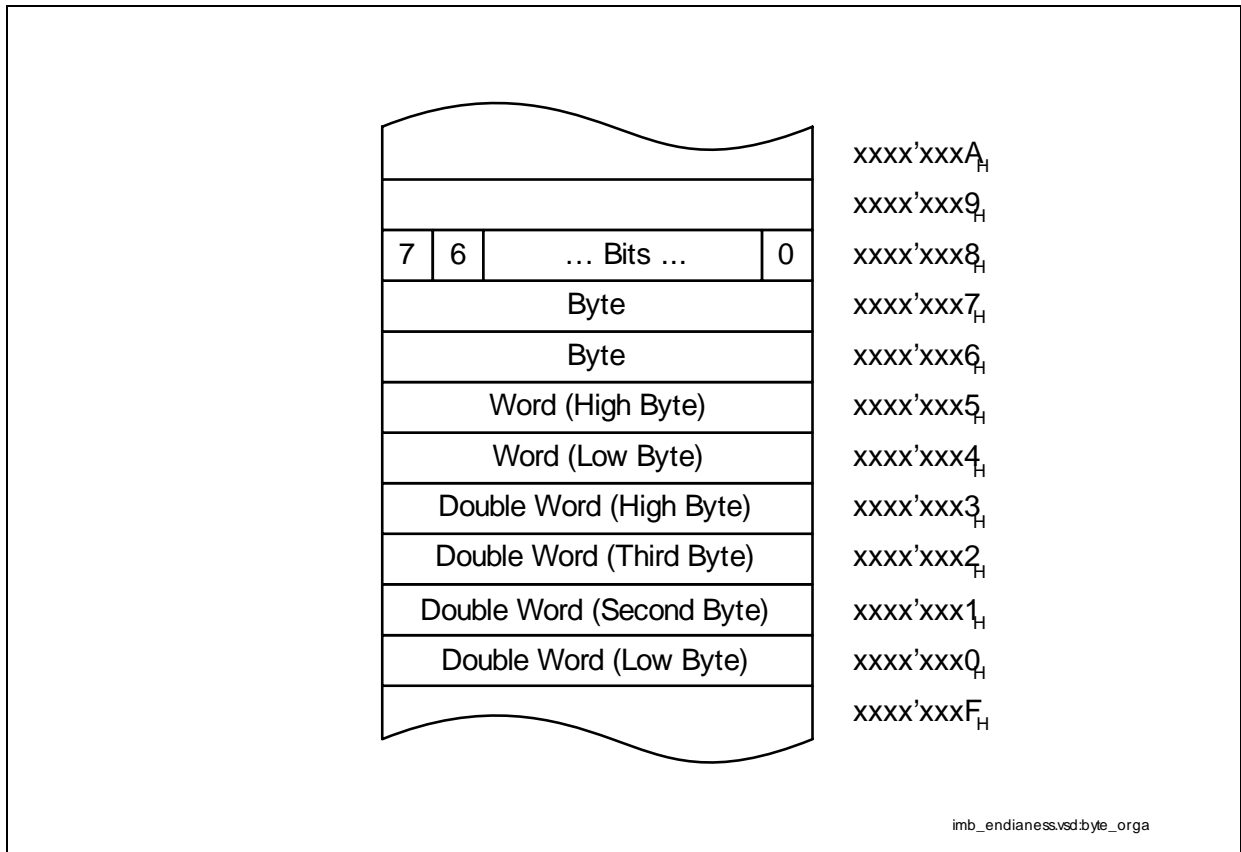
The memory space of the XC2000 is configured in a “Von Neumann” architecture. This means that code and data are accessed within the same linear address space. All of the physically separated memory areas, including internal ROM and Flash, internal RAM, the internal Special Function Register Areas (SFRs and ESFRs), the internal IO area, and external memory are mapped into one common address space.



**Figure 3-1 Address Space Overview**

The XC2000 provides a total addressable memory space of 16 Mbytes. This address space is arranged as 256 segments of 64 Kbytes each, and each segment is again subdivided into four data pages of 16 Kbytes each (see **Figure 3-1**).

Bytes are stored at even or odd byte addresses. Words are stored in ascending memory locations with the low byte at an even byte address being followed by the high byte at the next odd byte address (“little endian”). Double words (code only) are stored in ascending memory locations as two subsequent words. Single bits are always stored in the specified bit position at a word address. Bit position 0 is the least significant bit of the byte at an even byte address, and bit position 15 is the most significant bit of the byte at the next odd byte address. Bit addressing is supported for a part of the Special Function Registers, a part of the internal RAM and for the General Purpose Registers.



**Figure 3-2 Storage of Words, Bytes and Bits in a Byte Organized Memory**

*Note: Byte units forming a single word or a double word must always be stored within the same physical (internal, external, ROM, RAM) and organizational (page, segment) memory area.*



### 3.1 Address Mapping

All the various memory areas and peripheral registers (see [Table 3-1](#)) are mapped into one contiguous address space. All sections can be accessed in the same way. The memory map of the XC2000 contains some reserved areas, so future derivatives can be enhanced in an upward-compatible fashion.

**Table 3-1 XC2000 Memory Map** <sup>1)</sup>

Address Area	Start Loc.	End Loc.	Area Size <sup>2)</sup>	Notes
IMB register space	FF'FF00 <sub>H</sub>	FF'FFFF <sub>H</sub>	256 Bytes	
Reserved (access trap)	F0'0000 <sub>H</sub>	FF'FEFF <sub>H</sub>	< 1 MByte	Minus IMB registers.
Reserved for EPSRAM	E9'0000 <sub>H</sub>	EF'FFFF <sub>H</sub>	448 KBytes	
EPSRAM	E8'0000 <sub>H</sub>	E8'FFFF <sub>H</sub>	64 KBytes	PSRAM with Flash timing.
Reserved for PSRAM	E1'0000 <sub>H</sub>	E7'FFFF <sub>H</sub>	448 KBytes	
PSRAM	E0'0000 <sub>H</sub>	E0'FFFF <sub>H</sub>	64 KBytes	Program SRAM.
Reserved for Flash	CC'0000 <sub>H</sub>	DF'FFFF <sub>H</sub>	<1.25 MBytes	
Flash 2	C8'0000 <sub>H</sub>	CB'FFFF <sub>H</sub>	256 KBytes	
Flash 1	C4'0000 <sub>H</sub>	C7'FFFF <sub>H</sub>	256 KBytes	
Flash 0	C0'0000 <sub>H</sub>	C3'FFFF <sub>H</sub>	252 KBytes <sup>3)</sup>	Minus res. seg.
External memory area	40'0000 <sub>H</sub>	BF'FFFF <sub>H</sub>	8 MBytes	
External IO area <sup>4)</sup>	20'5800 <sub>H</sub>	3F'FFFF <sub>H</sub>	< 2 MBytes	Minus CAN/USIC
USIC registers	20'4000 <sub>H</sub>	20'57FF <sub>H</sub>	6 KBytes	Accessed via EBC
MultiCAN registers	20'0000 <sub>H</sub>	20'3FFF <sub>H</sub>	16 KBytes	Accessed via EBC
External memory area	01'0000 <sub>H</sub>	1F'FFFF <sub>H</sub>	< 2 MBytes	Minus segment 0
SFR area	00'FE00 <sub>H</sub>	00'FFFF <sub>H</sub>	0.5 KBytes	
Dual-port RAM (DPRAM)	00'F600 <sub>H</sub>	00'FDFF <sub>H</sub>	2 KBytes	
Reserved for DPRAM	00'F200 <sub>H</sub>	00'F5FF <sub>H</sub>	1 KBytes	
ESFR area	00'F000 <sub>H</sub>	00'F1FF <sub>H</sub>	0.5 KBytes	
XSFR area	00'E000 <sub>H</sub>	00'EFFF <sub>H</sub>	4 KBytes	
Data SRAM (DSRAM)	00'A000 <sub>H</sub>	00'DFFF <sub>H</sub>	16 KBytes	
Reserved for DSRAM	00'8000 <sub>H</sub>	00'9FFF <sub>H</sub>	8 KBytes	
External memory area	00'0000 <sub>H</sub>	00'7FFF <sub>H</sub>	32 KBytes	

- 1) Accesses to the shaded areas are reserved. In devices with external bus interface these accesses generate external bus accesses.
- 2) The areas marked with "<" are slightly smaller than indicated, see column "Notes".
- 3) The 4 KB sector from C0'F000<sub>H</sub> to C0'FFFF<sub>H</sub> is not accessible to the software.
- 4) Several pipeline optimizations are not active within the external IO area. This is necessary to control external peripherals properly.

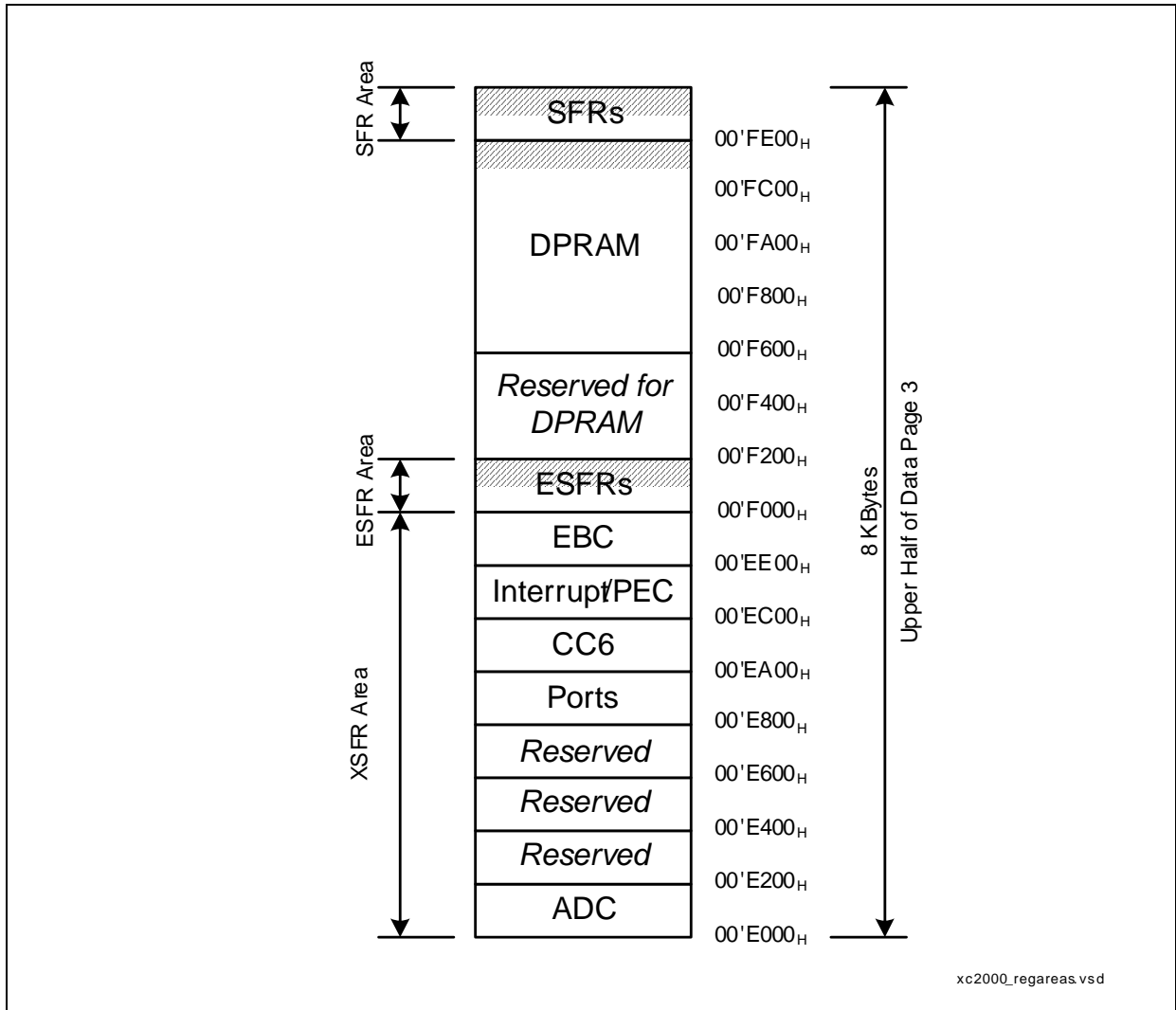
### **3.2 Special Function Register Areas**

The Special Function Registers (SFRs) controlling the system and peripheral functions of the XC2000 can be accessed via four dedicated address areas:

- 512-byte SFR area (located above the internal RAM: 00'FFFF<sub>H</sub> ... 00'FE00<sub>H</sub>).
- 512-byte ESFR area (located below the internal RAM: 00'F1FF<sub>H</sub> ... 00'F000<sub>H</sub>).
- 4-Kbytes XSFR area (located below the ESFR area: 00'EFFF<sub>H</sub> ... 00'E000<sub>H</sub>).
- 256-byte IMB SFR area (located in: FF'FF00<sub>H</sub> ... FF'FFFF<sub>H</sub>)<sup>1)</sup>.

This arrangement provides upward compatibility with the derivatives of the C166 and XC166 families.

<sup>1)</sup> Attention: the IMB SFR area is not recognized by the CPU as special IO area (see [Section 3.6](#)).



**Figure 3-3 Special Function Register Mapping**

*Note: The upper 256 bytes of SFR area, ESFR area, and internal RAM are bit-addressable (see hashed blocks in [Figure 3-3](#)).*

### Special Function Registers

The functions of the CPU, the bus interface, the IO ports, and the on-chip peripherals of the XC2000 are controlled via a number of Special Function Registers (SFRs).

All Special Function Registers can be addressed via indirect and long 16-bit addressing modes. The (word) SFRs and their respective low bytes in the SFR/ESFR areas can be addressed using an 8-bit offset together with an implicit base address. However, this **does not work** for the respective high bytes!

*Note: Writing to any byte of an SFR causes the not addressed complementary byte to be cleared.*

The upper half of the SFR-area (00'FFFF<sub>H</sub> ... 00'FF00<sub>H</sub>) and the ESFR-area (00'F1FF<sub>H</sub> ... 00'F100<sub>H</sub>) is bit-addressable, so the respective control/status bits can be modified directly or checked using bit addressing.

When accessing registers in the ESFR area using 8-bit addresses or direct bit addressing, an Extend Register (EXTR) instruction is required beforehand to switch the short addressing mechanism from the standard SFR area to the Extended SFR area. This is not required for 16-bit and indirect addresses. The GPRs R15 ... R0 are duplicated, i.e. they are accessible within both register blocks via short 2-, 4-, or 8-bit addresses without switching.

ESFR\_SWITCH\_EXAMPLE:

```
EXTR  #4                ;Switch to ESFR area for next 4 instr.
MOV   ODP9, #data16    ;ODP9 uses 8-bit reg addressing
BFLDL DP9, #mask, #data8 ;Bit addressing for bitfields
BSET  DP1H.7          ;Bit addressing for single bits
MOV   T8REL, R1        ;T8REL uses 16-bit mem address,
                        ;R1 is duplicated into the ESFR space
                        ;(EXTR is not required for this access)
;---- ;-----          ;The scope of the EXTR #4 instruction ...
                        ;... ends here!
MOV   T8REL, R1        ;T8REL uses 16-bit mem address,
                        ;R1 is accessed via the SFR space
```

In order to minimize the use of the EXTR instructions the ESFR area mostly holds registers which are mainly required for initialization and mode selection. Registers that need to be accessed frequently are allocated to the standard SFR area, wherever possible.

*Note: The tools are equipped to monitor accesses to the ESFR area and will automatically insert EXTR instructions, or issue a warning in case of missing or excessive EXTR instructions.*

Accesses to registers in the XSFR area use 16-bit addresses and require no specific addressing modes or precautions.

### General Purpose Registers

The General Purpose Registers (GPRs) use a block of 16 consecutive words either within the global register bank or within one of the two local register banks. The bit-field BANK in register PSW selects the currently active register bank. The global register bank is mirrored to a section in the DPRAM, the Context Pointer (CP) register determines the base address of the currently active global register bank section. This register bank may consist of up to 16 Word-GPRs (R0, R1, ... R15) and/or of up to 16 byte-GPRs (RL0,RH0, ... RL7, RH7). The sixteen byte-GPRs are mapped onto the first eight Word GPRs (see [Table 3-2](#)).

In contrast to the system stack, a register bank grows from lower towards higher address locations and occupies a maximum space of 32 bytes. The GPRs are accessed via short 2-, 4-, or 8-bit addressing modes using the Context Pointer (CP) register as base address for the global bank (independent of the current DPP register contents). Additionally, each bit in the currently active register bank can be accessed individually.

**Table 3-2 Mapping of General Purpose Registers to DPRAM Addresses**

<b>DPRAM Address</b>	<b>High Byte Registers</b>	<b>Low Byte Registers</b>	<b>Word Registers</b>
<CP> + 1E <sub>H</sub>	–	–	R15
<CP> + 1C <sub>H</sub>	–	–	R14
<CP> + 1A <sub>H</sub>	–	–	R13
<CP> + 18 <sub>H</sub>	–	–	R12
<CP> + 16 <sub>H</sub>	–	–	R11
<CP> + 14 <sub>H</sub>	–	–	R10
<CP> + 12 <sub>H</sub>	–	–	R9
<CP> + 10 <sub>H</sub>	–	–	R8
<CP> + 0E <sub>H</sub>	RH7	RL7	R7
<CP> + 0C <sub>H</sub>	RH6	RL6	R6
<CP> + 0A <sub>H</sub>	RH5	RL5	R5
<CP> + 08 <sub>H</sub>	RH4	RL4	R4
<CP> + 06 <sub>H</sub>	RH3	RL3	R3
<CP> + 04 <sub>H</sub>	RH2	RL2	R2
<CP> + 02 <sub>H</sub>	RH1	RL1	R1
<CP> + 00 <sub>H</sub>	RH0	RL0	R0

The XC2000 supports fast register bank (context) switching. Multiple global register banks can physically exist within the DPRAM at the same time. Only the global register bank selected by the Context Pointer register (CP) is active at a given time, however. Selecting a new active global register bank is simply done by updating the CP register. A particular Switch Context (SCXT) instruction performs register bank switching by automatically saving the previous context and loading the new context. The number of implemented register banks (arbitrary sizes) is limited only by the size of the available DPRAM.

*Note: The local GPR banks are not memory mapped and the GPRs cannot be accessed using a long or indirect memory address.*

**PEC Source and Destination Pointers**

The source and destination address pointers for data transfers on the PEC channels are located in the XSFR area.

Each channel uses a pair of pointers stored in two subsequent word locations with the source pointer (SRCP<sub>x</sub>) on the lower and the destination pointer (DSTP<sub>x</sub>) on the higher word address ( $x = 7 \dots 0$ ). An additional segment register stores the associated source and destination segments, so PEC transfers can move data from/to any location within the complete addressing range.

Whenever a PEC data transfer is performed, the pair of source and destination pointers (selected by the specified PEC channel number) accesses the locations referred to by these pointers independently of the current DPP register contents.

If a PEC channel is not used, the corresponding pointer locations can be used for other purposes.

For more details about the use of the source and destination pointers for PEC data transfers see Section XXX in Interrupt And Trap "Operation of PEC Channels".

*Note: Writing to any byte of the PEC pointers causes the not addressed complementary byte to be cleared.*

### 3.3 Data Memory Areas

The XC2000 provides two on-chip RAM areas exclusively for data storage:

- The **Dual Port RAM (DPRAM)** can be used for global register banks (GPRs), system stack, storage of variables and other data, in particular for MAC operands.
- The **Data SRAM (DSRAM)** can be used for system stack (recommended), storage of variables and other data.

*Note: Data can also be stored in the PSRAM (see [Section 3.10](#)). However, both data memory areas provide the fastest access.*

Two additional on-chip memory areas exist with the special purpose to retain data while the system power domain is switched off:

- The **Stand-By RAM (SBRAM)**.
- The **Marker Memory (MKMEM)**.

#### Dual-Port RAM (DPRAM)

The XC2000 provides 2 Kbytes of DPRAM (00'F600<sub>H</sub> ... 00'FDFF<sub>H</sub>). Any word or byte data in the DPRAM can be accessed via indirect or long 16-bit addressing modes, if the selected DPP register points to data page 3. Any word data access is made on an even byte address. The highest possible word data storage location in the DPRAM is 00'FDFF<sub>H</sub>.

For PEC data transfers, the DPRAM can be accessed independent of the contents of the DPP registers via the PEC source and destination pointers.

The upper 256 bytes of the DPRAM (00'FD00<sub>H</sub> through 00'FDFF<sub>H</sub>) are provided for single bit storage, and thus they are bit addressable.

*Note: Code cannot be executed out of the DPRAM.*

An area of 3 Kbytes is dedicated to DPRAM (00'F200<sub>H</sub> ... 00'FDFF<sub>H</sub>). The locations without implemented DPRAM are reserved.

#### Data SRAM (DSRAM)

The XC2000 provides 16 Kbytes of DSRAM (00'A000<sub>H</sub> ... 00'CFFF<sub>H</sub>). Any word or byte data in the DSRAM can be accessed via indirect or long 16-bit addressing modes, if the selected DPP register points to data page 3. Any word data access is made on an even byte address. The highest possible word data storage location in the DSRAM is 00'CFFF<sub>H</sub>.

For PEC data transfers, the DSRAM can be accessed independent of the contents of the DPP registers via the PEC source and destination pointers.

*Note: Code cannot be executed out of the DSRAM.*

An area of 20 Kbytes is dedicated to DSRAM (00'8000<sub>H</sub> ... 00'CFFF<sub>H</sub>). The location without implemented DSRAM are reserved.

### Stand-By RAM (SBRAM)

The SBRAM provides 1 Kbyte of memory supplied by the wake-up power domain (DMP\_M). Its main purpose is to retain state while the system power domain (DMP\_1) is switched off.

Unlike the other memories the SBRAM is not mapped into the address range of the processor. Reading and writing is done via two address and two data SFRs. Details of the access mechanism are described in [Section 3.11](#).

*Note: Code cannot be executed out of the SBRAM.*

### Marker Memory (MKMEM)

The MKMEM provides 4 bytes of memory supplied by the wake-up power domain. Its purpose is the same as the SBRAM.

The MKEM consists of 2 16-bit SFRs that are accessible as all other SFRs. Details are described in [Section 3.11](#).

*Note: It goes without saying that code cannot be executed out of the MKMEM.*



### 3.4 Program Memory Areas

The XC2000 provides two on-chip program memory areas for code/data storage:

- The **Program Flash/ROM** stores code and constant data. Flash memory is (re-)programmed by the application software or flash loaders, ROM is mask-programmed in the factory.
- The **Program SRAM (PSRAM)** stores temporary code sequences and other data. For example higher level boot loader software can be written to the PSRAM and then be executed to program the on-chip Flash memory.

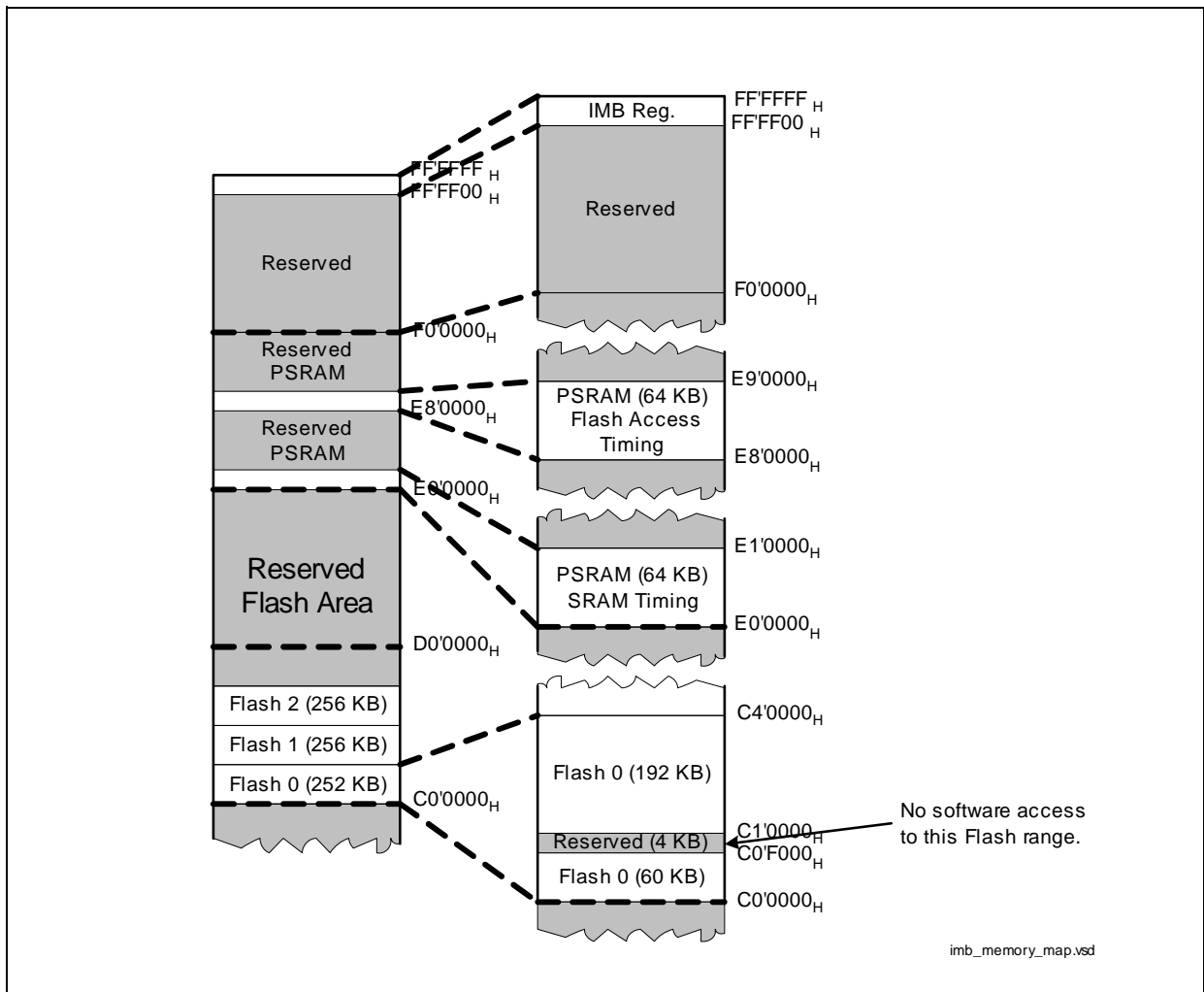


Figure 3-4 On-Chip Program Memory Mapping

### 3.4.1 Program/Data SRAM (PSRAM)

The XC2000 provides 64 Kbytes of PSRAM (E0'0000<sub>H</sub> ... E0'FFFF<sub>H</sub>). The PSRAM provides fast code execution without initial delays. Therefore, it supports non-sequential code execution, for example via the interrupt vector table.

Any word or byte data in the PSRAM can be accessed via indirect or long 16-bit addressing modes, if the selected DPP register points to one of its data page 896 – 899. Any word data access is made on an even byte address. The highest possible word data storage location in the PSRAM is E0'FFFE<sub>H</sub>.

For PEC data transfers, the PSRAM can be accessed independent of the contents of the DPP registers via the PEC source and destination pointers.

Any data can be stored in the PSRAM. Because the PSRAM is optimized for code fetches, however, data accesses to the data memories provide higher performance.

*Note: The PSRAM is not bit-addressable.*

An area of 512 Kbytes is dedicated to PSRAM (E0'0000<sub>H</sub> ... F7'FFFF<sub>H</sub>). The locations without implemented PSRAM are reserved.

### Flash Emulation

During code development the PSRAM will often be used for storing code or data that the production chip will later contain in the flash memory. In order to ensure similar execution time the PSRAM supports a second access path in the range E8'0000<sub>H</sub> ... EF'FFFF<sub>H</sub> with timing parameters that correspond to Flash timing. The number of wait-cycles is determined by the flash access timing configuration (see [IMB\\_IMBCTRL.WSFLASH](#)). Writes are always performed without wait-cycles.

This flash access timing imitation is nearly cycle accurate because the same read logic as for reading the flash memory is used<sup>1)</sup>. Discrepancies might occur if the software uses the PSRAM for flash emulation and directly as PSRAM. During emulation access conflicts can cause a slightly different timing as in the product chip where these conflicts do not occur.

Another source of timing differences can be access conflicts at the flash modules in the product chip. Data reads and instruction fetches that target different flash modules can be executed concurrently whereas if they target the same flash module they are executed sequentially with the data access as first. In the flash emulation this type of conflict can not occur. The data and the instruction access will both incur the defined number of wait-cycles (as if they would target different flash modules) and if they collide at the PSRAM interface the instruction fetch will see an additional wait-cycle.

<sup>1)</sup> The dual use of the flash read logic might cause unexpected behavior: while the IMB Core is busy with updating the protection configuration (after startup or after changing the security pages) read accesses to the flash emulation range of the PSRAM are blocked because Flash data reads would be blocked also.

**Data Integrity**

The PSRAM contains its own parity generation and comparison logic. It generates the parity bits for every written byte. When reading data it checks the data integrity by comparing the read parity bits with calculated parity bits.

If enabled parity errors can trigger a trap (see [“Memory Parity Error Handling” on Page 3-77](#)).

**Write Protection**

As the PSRAM is often used to store timing critical code or constant data it is supplied with a write protection. After storing critical data in the PSRAM the register field [IMB\\_IMBCTRH.PSPROT](#) can be used to split the PSRAM into a read-only and a writable part. Write accesses to the read-only part are blocked and a trap can be activated.

**3.4.2 Non-Volatile Program Memory (Flash)**

The XC2000 provides 764 Kbytes of program Flash (C0'0000<sub>H</sub> ... CB'FFFF<sub>H</sub>). Code and data fetches are always 64-bit aligned, using byte select lines for word and byte data.

Any word or byte data in the program memory can be accessed via indirect or long 16-bit addressing modes, if the selected DPP register points to one of the respective data pages. Any word data access is made on an even byte address. The highest possible word data storage location in the program memory is CB'FFFE<sub>H</sub>.

For PEC data transfers, the program memory can be accessed independent of the contents of the DPP registers via the PEC source and destination pointers.

*Note: The program memory is not bit-addressable.*

An area of 2 Mbytes is dedicated to program memory (C0'0000<sub>H</sub> ... DF'FFFF<sub>H</sub>). The locations without implemented program memory are reserved.

A more detailed description can be found in [“Embedded Flash Memory” on Page 3-18](#).

### **3.5 System Stack**

The system stack may be defined anywhere within the XC2000's memory areas (including external memory).

For all system stack operations the respective stack memory is accessed via a 24-bit stack pointer. The Stack Pointer (SP) register provides the lower 16 bits of the stack pointer (stack pointer offset), the Stack Pointer Segment (SPSEG) register adds the upper 8 bits of the stack pointer (stack segment). The system stack grows downward from higher towards lower locations as it is filled. Only word accesses are supported to the system stack.

Register SP is decremented before data is pushed on the system stack, and incremented after data has been pulled from the system stack. Only word accesses are supported to the system stack.

By using register SP for stack operations, the size of the system stack is limited to 64 KBytes. The stack must be located in the segment defined by register SPSEG.

The stack pointer points to the latest system stack entry, rather than to the next available system stack address.

A stack overflow (STKOV) register and a stack underflow (STKUN) register are provided to control the lower and upper limits of the selected stack area. These two stack boundary registers can be used both for protection against data corruption.

For best performance it is recommended to locate the stack to the DPRAM or to the DSRAM. Using the DPRAM may conflict with register banks or MAC operands.

### 3.6 IO Areas

The following areas of the XC2000's address space are marked as IO area:

- The **external IO area** is provided for external peripherals (or memories) and also comprises the on-chip LXBus-peripherals, such as the CAN or USIC modules. It is located from 20'0000<sub>H</sub> to 3F'FFFF<sub>H</sub> (2 Mbytes).
- The **internal IO area** provides access to the internal peripherals and is split into three blocks:
  - The SFR area, located from 00'FE00<sub>H</sub> to 00'FFFF<sub>H</sub> (512 bytes).
  - The ESFR area, located from 00'F000<sub>H</sub> to 00'F1FF<sub>H</sub> (512 bytes).
  - The XSFR area, located from 00'E000<sub>H</sub> to 00'EFFF<sub>H</sub> (4 Kbytes).

*Note: The external IO area supports real byte accesses. The internal IO area does not support real byte transfers, the complementary byte is cleared when writing to a byte location.*

The IO areas have special properties, because peripheral modules must be controlled in a different way than memories:

- Accesses are not buffered and cached, the write back buffers and caches are not used to store IO read and write accesses.
- Speculative reads are not executed, but delayed until all speculations are solved (e.g. pre-fetching after conditional branches).
- Data forwarding is disabled, an IO read access is delayed until all IO writes pending in the pipeline are executed, because peripherals can change their internal state after a write access.

### 3.7 External Memory Space

The XC2000 is capable of using an address space of up to 16 Mbytes. Only parts of this address space are occupied by internal memory areas or are reserved. A total area of approximately 12 Mbytes references external memory locations. This external memory is accessed via the XC2000's external bus interface.

**Selectable memory bank sizes** are supported: The maximum size of a bank in the external memory space depends on the number of activated address bits. It can vary from 64 Kbytes (with A15 ... A0 activated) to 12 Mbytes (with A23 ... A0 activated). The logical size of a memory bank and its location in the address space is defined by programming the respective address window. It can vary from 4 Kbytes to 12 Mbytes.

- Non-segmented mode:
  - 64 Kbytes with A15 ... A0 on PORT0 or PORT1.
- 1-bit segmented mode:
  - 128 Kbytes with A16 on Port 4
  - and A15 ... A0 on PORT0 or PORT1.
- 2-bit ... 7-bit segmented mode:
  - with Ax ... A16 on Port 4
  - and A15 ... A0 on PORT0 or PORT1.
- 8-bit segmented mode:
  - 12 Mbytes with A23 ... A16 on Port 4
  - and A15 ... A0 on PORT0 or PORT1.

Each bank can be directly addressed via the address bus, while the programmable chip select signals can be used to select various memory banks.

The XC2000 also supports **four different bus types**:

- Multiplexed 16-bit Bus with address and data on PORT0 (default after Reset).
- Multiplexed 8-bit Bus with address and data on PORT0/P0L.
- Demultiplexed 16-bit Bus with address on PORT1 and data on PORT0.
- Demultiplexed 8-bit Bus with address on PORT1 and data on P0L.

Memory model and bus mode are preselected during reset by pin  $\overline{EA}$  and PORT0 pins. For further details about the external bus configuration and control please refer to Chapter XX (The External Bus Controller).

External word and byte data can only be accessed via indirect or long 16-bit addressing modes using one of the four DPP registers. There is no short addressing mode for external operands. Any word data access is made to an even byte address.

For PEC data transfers the external memory can be accessed independent of the contents of the DPP registers via the PEC source and destination pointers.

*Note: The external memory is not bit addressable.*

### 3.8 Crossing Memory Boundaries

The address space of the XC2000 is implicitly divided into equally sized blocks of different granularity and into logical memory areas. Crossing the boundaries between these blocks (code or data) or areas requires special attention to ensure that the controller executes the desired operations.

**Memory Areas** are partitions of the address space assigned to different kinds of memory (if provided at all). These memory areas are the SFR areas, the on-chip program or data RAM areas, the on-chip ROM/Flash (if available), the on-chip LXBus-peripherals (if integrated), and the external memory.

Accessing subsequent data locations which belong to different memory areas is no problem. However, when executing code, the different memory areas must be switched explicitly via branch instructions. Sequential boundary crossing is not supported and leads to erroneous results.

*Note: Changing from the external memory area to the on-chip RAM area takes place within segment 0.*

**Segments** are contiguous blocks of 64 Kbytes each. They are referenced via the Code Segment Pointer CSP for code fetches and via an explicit segment number for data accesses overriding the standard DPP scheme.

During code fetching, segments are not changed automatically, but rather must be switched explicitly. The instructions JMPS, CALLS and RETS will do this.

In larger sequential programs, make sure that the highest used code location of a segment contains an unconditional branch instruction to the respective following segment to prevent the pre-fetcher from trying to leave the current segment.

**Data Pages** are contiguous blocks of 16 Kbytes each. They are referenced via the data page pointers DPP3 ... DPP0 and via an explicit data page number for data accesses overriding the standard DPP scheme. Each DPP register can select one of the possible 1024 data pages. The DPP register which is used for the current access is selected via the two upper bits of the 16-bit data address. Therefore, subsequent 16-bit data addresses which cross the 16-Kbytes data page boundaries will use different data page pointers, while the physical locations need not be subsequent within memory.

### 3.9 Embedded Flash Memory

This chapter describes the embedded flash memory of the XC2000:

- **Section 3.9.1** defines the flash specific nomenclature and the structure of the flash memory.
- **Section 3.9.2** describes the operating modes.
- **Section 3.9.3** contains all operations.
- **Section 3.9.4** gives the details of operating sequences.
- The three sections **Section 3.9.5**, **Section 3.9.6** and **Section 3.9.7** look more into depth of maintaining data integrity and protection issues.
- **Section 3.9.8** discusses Flash EEPROM emulation.
- **Section 3.9.9** describes interrupt generation by the flash memory.

The **Chapter 3.10** describes how the flash memory is embedded into the memory architecture of the XC2000 and lists all SFRs that affect its behavior.

#### 3.9.1 Definitions

This section defines the nomenclature and some abbreviations as a base for the rest of the document. The used flash memory is a non-volatile memory (“**NVM**”) based on a floating gate one-transistor cell. It is called “non-volatile” because the memory content is kept when the memory power supply is shut off.

#### Logical and Physical States

Flash memory content can not be changed directly as in SRAMs. Changing data is a complicated process with a typically much longer duration than reading.

- **Erasing:** The erased state of a cell is logical 0. Forcing an flash cell to this state is called “erasing”. Erasing is possible with a minimum granularity of one page (see below).
- **Programming:** The programmed state of a cell is logical 1. Changing an erased cell to this state is called “programming”. A page must only be programmed once and has to be erased before it can be programmed again.

The above listed processes have certain limitations:

- **Retention:** This is the time during which the data of a flash cell can be read reliably. The retention time is a statistical figure that depends on the operating conditions of the flash array (temperature profile) and the accesses to the flash array. With an increasing number of program/erase cycles (see endurance) the retention is lowered. Drain and gate disturbs decrease data retention as well.
- **Endurance:** As described above the data retention is reduced with an increasing number of program/erase cycles. A flash cell incurs one cycle whenever its page or sector is erased. This number is called “endurance”. As said for the retention it is a statistical figure that depends on operating conditions and the use of the flash cells and not to forget on the required quality level.



## Preliminary

## Memory Organization

- **Drain Disturb:** Because of using a so called “one-transistor” flash cell each program access disturbs all pages of the same sector slightly. Over long these “drain disturbs” make 0 and 1 values indistinguishable and thus provoke read errors. This effect is again interrelated with the retention. A cell that incurred a high number of drain disturbs will have a lower retention. The physical sectors of the flash array are isolated from each other. So pages of a different sector do not incur a drain disturb. This effect must be therefor considered when the page erase feature is used.

The durations of programming and erasing as well as the limits for endurance, retention and drain disturbs are documented in the data sheet.

**Attention: No means exist in the device that prevent the application from violating these limitation.**

## Array Structure

The flash memory is hierarchically structured:

- **Block:** A block consists of 128 user data bits (i.e. 16 bytes) and 9 ECC bits. One read access delivers one block.
- **Page:** A page consists of 8 blocks (i.e. 128 bytes). Programming changes always complete pages.
- **Sector:** A sector consists of 32 pages (i.e. 4096 bytes). The pages of one sector are affected by drain disturb as described above. The pages of different sectors are isolated from each other.
- **Array:** Each array has in the XC2000 64 sectors<sup>1)</sup>. Usually when referring to an “array” this contains as well all accompanying logic as assembly buffer, high voltage logic and the digital logic that allows to operate them in parallel.
- **Memory:** The complete flash memory of the XC2000 consists of 3 flash arrays.

This structure is visualized in [Figure 3-5](#).

<sup>1)</sup> In the Flash0 one sector is reserved for device internal purposes. It is not accessible by software.

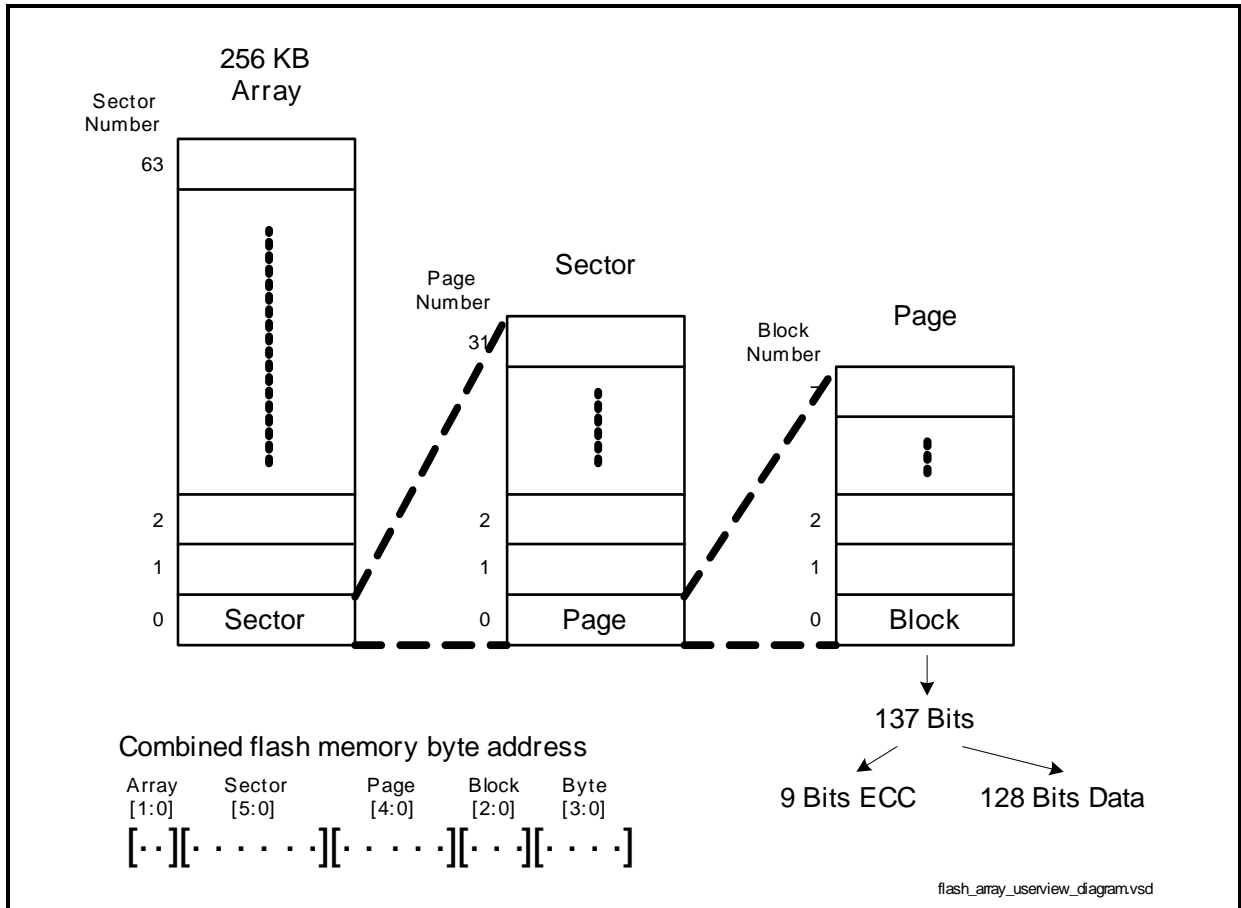


Figure 3-5 Flash Structure

### 3.9.2 Operating Modes

The IMB and the flash memory and each flash module have certain modes of operation. Some modes define clocking and power supply and the operating state of the analog logic as oscillators and voltage pumps. Overall system modes (e.g. startup mode) influence the behavior of the flash memory as well.

Other modes define the functional behavior. These will be discussed here.

#### 3.9.2.1 Standard Read Mode

After reset and after performing a clean startup the flash memory with all its modules is in “standard read mode”. In this mode it behaves as an on-chip ROM. This mode is entered:

- After reset when the complete start-up has been performed.
- After completion of a longer lasting command like “erase” or “program” which is acknowledged by clearing the “busy” flag.
- Immediately after each other command execution.

- In case of detecting an execution error like attempting to write to a write protected range, sending a wrong password, after all sequence errors.

For the long lasting commands the read mode stays active until the last command of the sequence is received and the operation is started.

### **3.9.2.2 Command Mode**

After receiving the last command of a command sequence the addressed flash module (not the whole flash memory!) is placed into command mode. For most commands this will not be noticed by the user as the command executes immediately and afterwards the flash module is placed again into read mode. For the long lasting commands the flash module stays in command mode for several milliseconds. This is reported by setting the corresponding “busy” flag. The data of a busy flash module cannot be read. New command sequences are not accepted (even if they target different flash modules) and cause a sequence error until the running operation has finished.

Read accesses to busy flash modules stall the CPU until the read mode is entered again. A stalled CPU responds only to the reset. As no interrupts can be handled this state must be avoided. Nevertheless this feature can be used to execute code from a flash module that erases or programs data in the same flash module.

The IMB Core is limited to control only one running operation. Consequently when one flash module is in command mode no other commands to either modules are accepted but the other modules stay readable.

### **3.9.2.3 Page Mode**

The page mode is entered with the “**Enter Page Mode**” command. Please find its description below. A flash module that is in page mode can still be read (so it is concurrently in “read mode”). At a time only one flash module can be in page mode.

When the flash memory is in page mode — i.e. one of the flash modules is in page mode — some command sequences are not allowed. These are all erase sequences and the “change read margin” sequence. These are ignored and a sequence error is reported.

### **3.9.3 Operations**

The flash memory supports the following operations:

- Instruction fetch.
- Data read.
- Command sequences to change data and control the protection.

#### **3.9.3.1 Instruction Fetch from Flash Memory**

Instructions are fetched by the PMU in groups of aligned 64 bits. These code requests are forwarded to the flash memory. It needs a varying number of cycles (depending on the system clock frequency) to perform the read access. The number of cycles must be known to the IMB Core because the flash does not signal data availability. The number of wait-cycles is therefore stored in the **IMB\_IMBCTRL** register.

One read access to the flash memory delivers 128 data bits and a 9-bit ECC value. The ECC value is used to detect and possibly correct errors. The addressed 64-bit part of the 128-bit chunk is sent to the PMU. The complete 128 data bits and the 9 ECC bits are stored in the IMB Core with their address. If a succeeding fetch request matches this address the data is delivered from the buffer without performing a read access in the flash memory. The delivery from the buffer happens after one cycle. The flash read wait-cycles are not waited.

The stored data are a kind of instruction cache. In order to support self-modifying code (e.g. boot loaders) this cache is invalidated when the corresponding address is written (i.e. erased or programmed).

In addition to this fetch buffer the IMB Core has an additional performance increasing feature — the Linear Code Pre-Fetch. When this feature is enabled with **IMB\_IMBCTRL.DLCPF = 0** the IMB Core fetches autonomously the following instructions while the CPU executes from its own buffers or the fetch buffer. As this feature is fetching only the linear successors (it does not analyze the code stream) it is most effective for code with longer linear sequences. For code with a high density of jumps and calls it can even cause a reduction of performance and should be switched off.

### 3.9.3.2 Data Reads from Flash Memory

Data reads are issued by the DMU. Data is always requested in 16-bit words. The flash memory delivers for every read request 128 bits plus ECC as described in **“Instruction Fetch from Flash Memory” on Page 3-22**.

The IMB Core has to get all 128 bits to evaluate the ECC data. The requested 16 bits will be delivered to the DMU. All data and ECC bits are kept in the data register and their address is kept in the address register. For all following data reads the address is compared with the address register and in case of a match the data is delivered after one cycle from the data register. Every data read that is not delivered from this cache invalidates the cache content. When the requested data arrives the cache contains again valid data.

This small data cache is invalidated when a write (i.e. erase or program) access to this address happens.

For data reads the IMB Core does not perform any autonomous pre-fetching.

### 3.9.3.3 Data Writes to Flash Memory

Flash memory content can not be changed by directly writing data to this memory. Command sequences are used to execute all other operations in the flash except reading. Command sequences consist of data writes with certain data to the flash memory address range. All data moves targeting this range are interpreted as command sequences. If they do not match a defined one or if the IMB Core is busy with executing a sequence (i.e. it is in “command mode”) a sequence error is reported.

### 3.9.3.4 Command Sequences

As described before changing data in the flash memory is performed with command sequences.

**Table 3-3 Command Sequence Overview**

<b>Command Sequence</b>	<b>Description</b>	<b>Details on Page</b>
<b>Reset to Read</b>	Reset Flash into read mode and clear error flags.	<b>Page 3-26</b>
<b>Clear Status</b>	Clear error and status flags.	<b>Page 3-26</b>
<b>Change Read Margin</b>	Change read margins.	<b>Page 3-26</b>
<b>Enter Page Mode</b>	Prepare page for programming.	<b>Page 3-27</b>
<b>Enter Security Page Mode</b>	Prepare security page for programming.	<b>Page 3-28</b>
<b>Load Page Word</b>	Load page with data.	<b>Page 3-28</b>
<b>Program Page</b>	Start page programming process.	<b>Page 3-29</b>
<b>Erase Sector</b>	Start sector erase process.	<b>Page 3-30</b>
<b>Erase Page</b>	Start page erase process.	<b>Page 3-31</b>
<b>Erase Security Page</b>	Start security page erase process.	<b>Page 3-32</b>
<b>Disable Read Protection</b>	Disable temporarily read protection with password.	<b>Page 3-32</b>
<b>Disable Write Protection</b>	Disable temporarily write protection with password.	<b>Page 3-33</b>
<b>Re-Enable Read/Write Protection</b>	Re-enable protection.	<b>Page 3-34</b>

### 3.9.4 Details of Command Sequences

The description defines the command sequence with pseudo assembler code. It is “pseudo” because all addresses are direct addresses which is generally not possible in real assembler code.

The commands are called by a sequence of one to six data moves into the flash memory range. The data moves must be of the “word” type, i.e. not byte move instructions. The following sections describe each command. The following abbreviations for addresses and data will be used:

- PA: “Page Address”. This is the base address of the destination page. For example the very first page has the address  $C0'0000_H$ . The page 13 of the second array has the  $PA = C0'0000_H + 1 \cdot 256 \cdot 1024$  (for the array) +  $0 \cdot 4 \cdot 1024$  (for the sector) +  $13 \cdot 128$  (for the page) =  $C4'0680_H$ .
- SECPA: “Security Page Address”. This is the virtual address of a security page. It is “virtual” because SECPA is just used as argument of the command sequence to identify the security page but the physical storage of the security page is hidden. Two security pages are defined:  
 SecP0: address  $C0'0000_H$ .  
 SecP1: address  $C0'0080_H$ .
- WD: “Write Data”. This is a 16-bit data word that is written into the assembly buffer.
- SA: “Sector Address”. This is the physical sector number as defined in [Figure 3-6](#) based on the address of the flash module. Two examples as clarification:
  1. Physical sector number 16 of the first array that is based on  $C0'0000_H$  is addressed with  $SA = C0'0000_H + 16 \cdot 4 \cdot 1024 = C1'0000_H$ .
  2. The second 256 KB array has the base address  $C4'0000_H$  (as shown in [Table 3-1](#)). So its physical sector number 3 has the  $SA = C4'0000_H + 3 \cdot 4 \cdot 1024 = C4'3000_H$ .
- PWD: “Password”. This is a 64-bit password. It is transferred in 4 16-bit data words  $PWD0 = PWD[15:0]$ ,  $PWD1 = PWD[31:16]$ ,  $PWD2 = PWD[47:32]$  and  $PWD3 = PWD[63:48]$ .
- Address XX followed by two hexadecimal digits, for example “XXAA<sub>H</sub>”. If the command targets a certain flash module the XX must be translated to its base address. So “XXAA<sub>H</sub>” means  $C0'00AA_H$  for all commands addressing flash 0,  $C4'00AA_H$  for flash 1 and  $C8'00AA_H$  for flash 2. If a command (e.g. “Clear Status”) addresses the complete flash memory the base address of flash module 0 must be used.
- Data XX followed by two hexadecimal digits, e.g. XXA5<sub>H</sub>. This is a “don’t care” data word where only the low byte must match a certain pattern. So in this example all data words like 12A5<sub>H</sub> or 79A5<sub>H</sub> can be used.
- MR: “Margin”. This 8-bit number defines the read margin. MR can take the values 00<sub>H</sub> (normal read), 01<sub>H</sub> (hard read 0), 02<sub>H</sub> (alternate hard read 0), 05<sub>H</sub> (hard read 1), 06<sub>H</sub> (alternate hard read 1). All other values of MR are reserved.

**Reset to Read**

Arguments: –

Definition:

```
MOV XXAAH, XXF0H
```

Timing: One cycle command that does not set any “BUSY” flags. But note that an immediately following write access to the IMB Core is stalled for a few clock cycles during which the IMB Core is busy with aborting a previous command.

Description: The internal command state machine is reset to initial state and returns to read mode. An already started programming or erase operation is not affected and will be continued (the “**Reset to Read**” command — i.e. all commands — will anyhow not be accepted while the IMB Core is busy).

The “**Reset to Read**” command is a single cycle command. It can be used during a command sequence to reset the command interpreter and return the IMB Core into its initial state. It clears also all error flags in the Flash Status Register IMB\_FSR and an active page mode is aborted. Because all commands are rejected with a SQER while the IMB Core is busy “**Reset to Read**” can not be used to abort an active command mode.

This command clears: PROER, PAGE, SQER, OPER, ISBER, IDBER, DSBER, DDBER.

**Clear Status**

Arguments: –

Definition:

```
MOV XXAAH, XXF5H
```

Timing: 1-cycle command that does not set any busy flags.

Description: The flags OPER, SQER, PROER, ISBER, IDBER, DSBER, DDBER in Flash status register are cleared. Additionally, the process status bits (PROG, ERASE, POWER, MAR) are cleared.

**Change Read Margin**

Arguments: MR

Definition:

```
MOV XXAAH, XXB0H  
MOV XX54H, XXMRH
```

Timing: 2-cycle command that sets “BUSY” for around 30 micro seconds.

Description: This command sequence changes the read margin of one flash module. The address XX of the second move identifies the targeted flash module. The flash module needs some time to change its read voltage. During this time BUSY is set and this flash module cannot be accessed. The other flash modules stay readable.



The argument “MR” defines the read margin:

- 00<sub>H</sub>: normal read margin.
- 01<sub>H</sub>: hard read 0 margin.
- 02<sub>H</sub>: alternate hard read 0 margin.
- 05<sub>H</sub>: hard read 1 margin.
- 06<sub>H</sub>: alternate hard read 1 margin.
- Other values: reserved.

For understanding the read margins please refer to **“Read Margins” on Page 3-35**.

This command must not be issued when the flash memory is in page mode. In this case it is ignored and a sequence error is reported.

*Note: As noted in **“Margin Control” on Page 3-60** the command sequences **“Program Page”**, **“Erase Sector”**, **“Erase Page”** and **“Erase Security Page”** reset the read margin back to 00<sub>H</sub>, i.e. to the normal read margin. The same happens in case of a flash wake-up.*

## Enter Page Mode

Arguments: PA

Definition:

```
MOV XXAAH, XX50H
MOV PA, XXAAH
```

Timing: 2-cycle command that sets “BUSY” for around 100 clock cycles.

Description: The page mode is entered to prepare a page programming operation on page address PA. (Write data are accepted only with the **“Load Page Word”** command.)

With this command, the IMB Core initializes the write pointer of its block assembly register to zero so that it points to the first word. The page mode is indicated in the status register IMB\_FSR with the PAGE bit, separately for each flash module. The page mode and the read mode are allowed in parallel at the same time and in the same flash module so the flash module stays readable. When the addressed page PA is read the content of the flash memory is delivered. The page mode can be aborted and the related PAGE bit in IMB\_FSR be cleared with the **“Reset to Read”** command. A new **“Enter Page Mode”** command during page mode aborts the actual page mode, which is indicated with the error flag SQER, and restarts a new page operation. So as mentioned above only one of the flash modules can be in page mode at a time. If one of the erase commands or the **“Change Read Margin”** command are received while in page mode it is ignored and a sequence error is reported.

If write protection is installed for the sector to be programmed, the **“Enter Page Mode”** command is only accepted when write protection has before been disabled using the unlock command sequence **“Disable Write Protection”** with four passwords. If global write protection is installed with read protection, also the command **“Disable Read Protection”** can be used if no sector specific protection is installed. If write protection is

not disabled when the “[Enter Page Mode](#)” command is received, the command is not executed, and the protection error flag PROER is set in the IMB\_FSR.

### **Enter Security Page Mode**

Arguments: SECPA

Definition:

```
MOV XXAAH, XX55H  
MOV SECPA, XXAAH
```

Timing: 2-cycle command that sets “BUSY” for around 100 clock cycles.

Description: This command is identical to the “[Enter Page Mode](#)” command (see above), with the following exceptions: The addressed page (SECPA) belongs to the security pages of the flash memory and not to the user flash range. This command can only be executed after disabling of read protection and of sector write protection. Only if protection is not installed (e.g. for the very first installation of keywords), read/write protection need not be disabled. This command is not accepted and a protection error is reported if any protection is installed and active.

The use of this command to install passwords and to disable them again is described in “[Protection Handling Details](#)” on [Page 3-38](#).

### **Load Page Word**

Arguments: WD

Definition:

```
MOV XXF2H, WD
```

Timing: 1-cycle command that does not set any “BUSY” flags. But note that an immediately following write access to the IMB Core or read from the flash memory is stalled for a few clock cycles if it arrives while the IMB Core is busy with copying its block assembly register content into the flash module assembly buffer. During this stall time the CPU can not perform any action! So either the user software can accept this stall time (which must be taken into account for the worst-case interrupt latency) or the software must avoid the blocking accesses.

Description: Load the IMB Core block assembly register with a 16-bit word and increment the write pointer. The 128 byte assembly buffer (i.e. a complete page) is filled by a sequence of 64 “Load Page Word” commands. The word address is not determined by the command but the “[Enter Page Mode](#)” command sets a write word pointer to zero which is incremented after each “[Load Page Word](#)” command.

This (sequential) data write access to the block assembly register belongs to and is only accepted in Page Mode. The command address of this single cycle command is always the same (F2<sub>H</sub>). These low order address bits also identify the “[Load Page Word](#)” command and the sequential write data to be loaded into the block assembly register.

The high order bits XX should address the target page. The IMB Core takes always the page address that was used by the last “**Enter Page Mode**” command.

When the 128-bit block assembly register of the IMB Core is filled completely after 8 “**Load Page Word**” commands the IMB Core calculates the 9 ECC bits and transfers the block into the assembly buffer of the flash module. After that it sets the write pointer of the block assembly register back to zero. The following 8 “**Load Page Word**” commands fill again the block. After all 8 blocks are filled the “**Program Page**” command can be used to trigger the program process that transfers the assembly buffer content into the flash array.

While the IMB Core transfers the completed block assembly register to the flash module it can not accept new data for a few cycles. A “**Load Page Word**” command arriving during this time is stalled by the IMB Core.

If “**Program Page**” is called before all blocks of the assembly buffer have received new data then the remaining bits are cleared.

If more than 8 times 8 commands are used the additional data is lost. The overflow condition is indicated by the sequence error flag, but the execution of a following “**Program Page**” command is not suppressed (the page mode is not aborted).

When a “**Load Page Word**” command is received and the flash is not in page mode, a sequence error is reported in IMB\_FSR with SQER flag. In case of a new “**Enter Page Mode**” command or a “**Reset to Read**” command during page mode, or in case of an Application Reset, the write data in the assembly buffer is lost. The current page mode is aborted and in case of a new “**Enter Page Mode**” command entered again for the new address.

## Program Page

Arguments: –

Definition:

```
MOV XXAAH, XXA0H  
MOV XX5AH, XXAAH
```

Timing: 2-cycle command that sets “BUSY” for the whole programming duration.

Description: The assembly buffer of the flash module is programmed into the flash array. If the last block of data was not filled completely this command finalizes its ECC calculation and copies its data into the assembly buffer before it starts the program process. The selection of the flash module and the page to be programmed depends on the page address used by the last “**Enter Page Mode**” command. The user software should always address the targeted page.

The programming process is autonomously performed by the selected flash module. The CPU is not occupied and can continue with its application.

The “**Program Page**” command is only accepted if the addressed flash module is in Page Mode (otherwise, a sequence error is reported instead of execution). With the “**Program Page**” command, the page mode is terminated, indicated by resetting the related PAGE flag and the command mode is entered and the PROG flag in the status register IMB\_FSR is activated and the BUSY flag for the addressed module is set in IMB\_FSR. While BUSY is set the IMB Core does not accept any further commands.

When the program process has finished BUSY is cleared but PROG stays set. It indicates which operation has finished and will be cleared by a System Reset or by “**Clear Status**”.

Read accesses to the busy flash module are not possible. Reading a busy flash module stalls until the flash module becomes ready again.

If write protection is installed for the sector to be programmed, the “**Program Page**” command is not accepted because the Flash is not in Page Mode (see description of the “**Enter Page Mode**” command).

If the page to be programmed is a security page (accepted only in security page mode), the new protection configuration (including keywords or protection confirmation code) is valid directly after execution of this command.

While the IMB Core reads the new protection configuration all DMU accesses to any flash module are stalled.

## **Erase Sector**

Arguments: SA

Definition:

```
MOV XXAAH, XX80H
MOV XX54H, XXAAH
MOV SA, XX33H
```

Timing: 3-cycle command that sets BUSY for the whole erasing duration.

Description: The addressed physical sector in the flash array is erased. Following data reads deliver all-zero data with correct ECC.

The erasing process is autonomously performed by the selected flash module. The CPU is not occupied and can continue with its application.

The sector to be erased is addressed by SA (sector address) in the last command cycle. With the last cycle of the “**Erase Sector**” command, the command mode is entered, indicated by activation of the ERASE flag and after start of erase operation also by the related busy flag in the status register IMB\_FSR. The BUSY flag is cleared after finishing the operation but ERASE stays set. It can be cleared by a System Reset or the “**Clear Status**” command.

Read accesses to the busy flash module are not possible. Read accesses to the not busy flash module are especially supported. Reading a busy flash module stalls until the flash module becomes ready again.

If write protection is installed for the sector to be erased, the Erase Sector command is only accepted when write protection has before been disabled using the unlock command sequence “**Disable Write Protection**”. If global write protection is installed with read protection, also the command “**Disable Read Protection**” can be used if no sector specific protection is installed. If write protection is not disabled when the “**Erase Sector**” command is received, the command is not executed, and the protection error flag PROER is set in the IMB\_FSR.

This command must not be issued when the flash memory is in page mode. In this case it is ignored and a sequence error is reported.

### **Erase Page**

Arguments: PA

Definition:

```
MOV XXAAH, XX80H
MOV XX54H, XXAAH
MOV PA, XX03H
```

Timing: 3-cycle command that sets BUSY for the whole erasing duration.

Description: The addressed page is erased. Following data reads deliver all-zero data with correct ECC.

With the last cycle of the “**Erase Page**” command, the command mode is entered, indicated by activation of the ERASE flag and after start of erase operation also by the related BUSY flag in the status register IMB\_FSR. BUSY is cleared automatically after finishing the operation but ERASE stays set. It is cleared by a System Reset or the “**Clear Status**” command.

Read accesses to the busy flash array are not possible. Read accesses to the not busy flash modules are especially supported. Reading a busy flash module stalls until the flash module becomes ready again.

If the page to be erased belongs to a sector which is write protected, the command is only executed when write protection has before been disabled (see “**Erase Sector**” command).

In case of using the page erase care must be taken not to exceed the drain disturb limit of the other pages of the same sector.

This command must not be issued when the flash memory is in page mode. In this case it is ignored and a sequence error is reported.

## Erase Security Page

Arguments: SECPA

Definition:

```
MOV XXAAH, XX80H
MOV XX54H, XXA5H
MOV SECPA, XX53H
```

Timing: 3-cycle command that sets BUSY for the whole erasing duration.

Description: The addressed security page is erased.

This command is identical to the “[Erase Page](#)” command with the following exceptions: The addressed page (SecP0 or SecP1) belongs not to the user visible flash memory range. This command can only be executed after disabling of read protection and of sector write protection.

See “[Protection Handling Examples](#)” on [Page 3-45](#) for a detailed description of re-programming security pages.

The structure of the two security pages (SecP0 and SecP1) is described in “[Layout of the Security Pages](#)” on [Page 3-43](#).

After erasing a security page the new protection configuration (including keywords or protection confirmation code) is valid directly after execution of this command.

While the IMB Core reads the protection configuration all DMU accesses to any flash module are stalled.

This command must not be issued when the flash memory is in page mode. In this case it is ignored and a sequence error is reported.

## Disable Read Protection

Arguments: PWD

Definition:

```
MOV XX3CH, XXXXH
MOV XX54H, PWD0
MOV XXAAH, PWD1
MOV XX54H, PWD2
MOV XXAAH, PWD3
MOV XX5AH, XX55H
```

Timing: 6-cycle command that does not set any busy flag.

Description: Disable temporarily Flash read protection and — if activated — global write protection of the whole flash memory. The RPA bit in IMB\_IMBCTR is reset.

This is a protected command sequence, using four user defined passwords to release this command or to check the programmed keywords. For every password one command cycle is required. If the second or fourth password represents the code of the

“**Reset to Read**” command, it is interpreted as password and the reset is not executed. The 16-bit passwords are internally compared with the keywords out of the “Security Page 0”. If one or more passwords are not identical to their related keywords, the protected sectors remain in the locked state and a protection error (PROER) is indicated in the Flash status register. In this case, a new “**Disable Read Protection**” command or a “**Disable Write Protection**” command is only accepted after the next Application Reset.

*Note: During execution of the “Disable Read” (or Write) Protection command a password compare error is only indicated after all four passwords have been compared with the related keywords.*

*Note: This command sequence is also used to check the correctness of keywords before the protection is confirmed in the Security Page 1. A wrong keyword is indicated by the IMB\_FSR flag PROER.*

After correct execution of this command, the whole flash memory is unlocked and the read protection disable bit RPRODIS is set in the Flash Status Register (IMB\_FSR). Erase and program operations on all sectors are then possible, if the flash memory was also globally write protected (WPA=1), and if they are not separately write protected. The read protection (including global write protection, if so selected) remains disabled until the command “**Re-Enable Read/Write Protection**” is executed, or until the next Application Reset (including HW and SW reset).

## Disable Write Protection

Arguments: PWD

Definition:

```
MOV XX3CH, XXXXH
MOV XX54H, PWD0
MOV XXAAH, PWD1
MOV XX54H, PWD2
MOV XXAAH, PWD3
MOV XX5AH, XX05H
```

Timing: 6-cycle command that does not set any busy flag.

Description: Disable temporarily the global flash write protection or/and the sector write protection of all protected sectors. The WPA bit in IMB\_IMBCTR is reset.

This is a protected command sequence, using four user defined passwords to release this command (as described above for the “**Disable Read Protection**” command).

After correct execution of this command, all write-protected sectors are unlocked, which is indicated in the Flash Status Register (IMB\_FSR) with the WPRODIS bit. Erase and program operations on all sectors are now possible, until

- The command “**Re-Enable Read/Write Protection**” is executed, or

- The next Application Reset (including HW and SW reset) is received.

### Re-Enable Read/Write Protection

Arguments: –

Definition:

```
MOV XX5EH, XXXXH
```

Timing: 1-cycle command that does not set any busy flags.

Description: Flash read and write protection is resumed.

This single-cycle command clears RPRODIS and WPRODIS. The IMB Core is triggered to restore the protection states RPA and WPA from the content of the security page 0 as defined in [Table 3-4 “Flash State” Determining RPA and WPA on Page 3-40](#). So in effect this command resumes all kinds of temporarily disabled protection installations.

This command is released immediately after execution.



### 3.9.5 Data Integrity

This section describes means for detecting and preventing the inadvertent modification of data in the flash memory.

#### 3.9.5.1 Error Correcting Codes (ECC)

With very low probability a flash cell can lose its data value faster than specified. In order to reach the defined overall device reliability each 128-bit block of flash data is accompanied with a 9-bit ECC value. This redundancy supplies SEC-DED capability, meaning “single error correction and double error detection”. All single bit errors are corrected (and the incident is detected), all double bit errors are detected and even most triple bit errors are detected but some of these escape as valid data or corrected data.

A detected error is reported in the register [IMB\\_FSR\\_PROT](#). Software can select which type of error should trigger a trap by the means of register [IMB\\_INTCTR](#). In the system control further means exist to modify the handling of errors (see [“SCU Trap Control Registers” on Page 6-202](#)). The enabled trap requests by the flash module are handled there as “Flash Access Trap”. In case of a double-bit error the read data is always replaced with a dummy data word.

#### 3.9.5.2 Aborted Program/Erase Detection

Where the ECC should protect from intrinsic failures of the flash memory that affect usually only single bits; an interruption of a running program or erase process might cause massive data corruption:

- The erase process programs first all cells to 1 before it erases them. So depending on the time when it is interrupted the data might be in a different state. This can be the old data, all-one, a random value, a weak all-zero or finally all-zero.
- The program process programs all bits concurrently from 0 to 1. If it is interrupted not all set bits might read as 1 or contain a weak 1.

The register [IMB\\_FSR\\_OP](#) contains the bits ERASE and PROG. These bits stay set until the next [“Clear Status”](#) command or System Reset. So if an erase or program process is interrupted by an Application Reset one of these bits is still set which allows to detect the interruption. It lies in the responsibility of the software to send the [“Clear Status”](#) command after a finalized program/erase process to enable this evaluation.

Another possible measure against aborted program/erase processes is to prevent resets by configuring the SCU appropriately.

#### 3.9.5.3 Read Margins

As explained above interrupting a program or erase process might leave cells in a weakly erased or programmed state. This is particularly dangerous as following reads might deliver the correct data with correct ECC but these cells do not have the defined

retention, i.e. after a while they may toggle. This dangerous state can be detected with “read margins”.

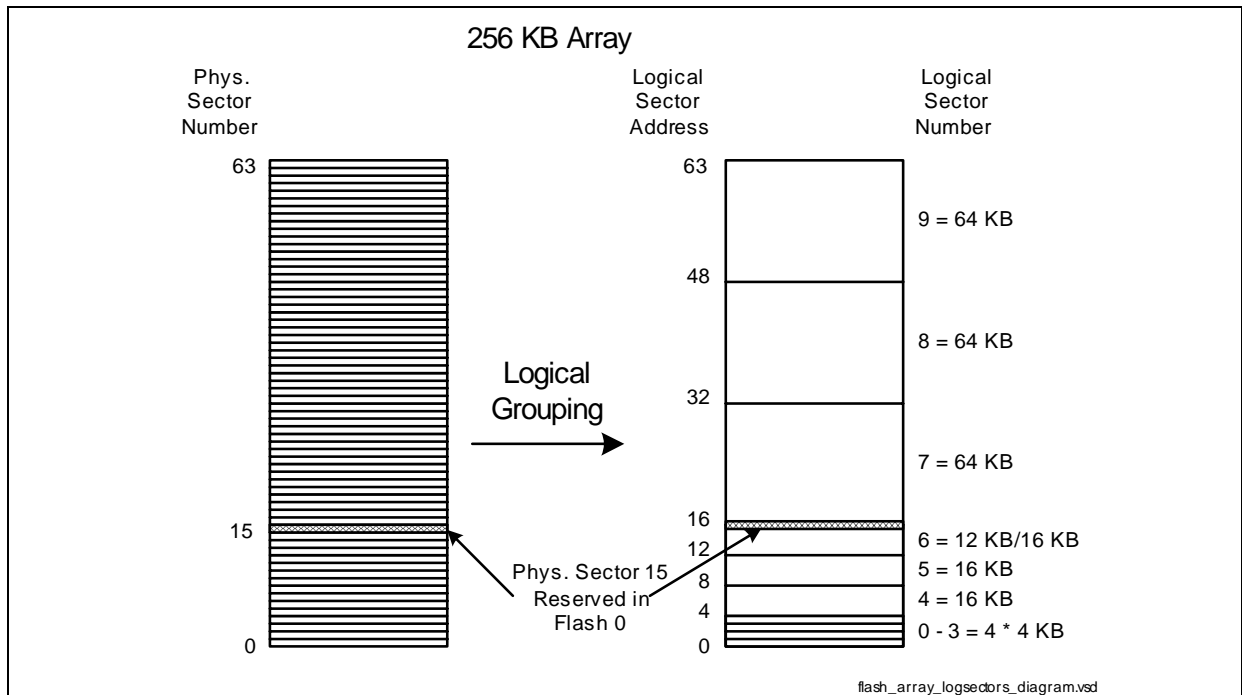
Reading with “hard read 0 margin” returns weak 0s as 1s and reading with “hard read 1 margin” returns weak 1s as 0s. Changing the read margin is done with the command sequence “**Change Read Margin**” and is reported by the status register “**IMB\_MAR**”.

In order to detect cells that will likely fail in the near future all used flash memory ranges can be read with both hard reads regularly. If both read values are the same and no read error occurs nothing has to be done. If this check fails there is still a good chance that the normal read will return the correct value (or at least has only a correctable one-bit error). After erasing the page this value can be programmed again to ensure long-term readability of this data.

In case of using the page erase care must be taken not to exceed the drain disturb limit of the other pages of the same sector.

### 3.9.5.4 Protection Overview

The flash memory supports read and write protection for the whole memory and separate write protection for each logical sector. The logical sector structure is depicted in **Figure 3-6**.



**Figure 3-6 Logical Sectors**

If read protection is installed and active, any flash read access is disabled in case of start after reset from external memory or from internal RAM. Debug access is as well disabled and thus the execution of injected OCDS instructions. In case of start after reset in

internal flash, all flash access operations are controlled by the flash-internal user code and are therefore allowed, as long as not especially disabled by the user, e.g. before enabling the debug interface.

Per default, the read protection includes a full (global) flash memory write protection covering all flash modules. This is necessary to eliminate the possibility to program a dump routine into the Flash, which reads the whole Flash and writes it out via the external bus or a serial interface. Program and erase accesses to the flash during active read protection are only possible, if write protection is separately disabled. Flash write and read protection can be temporarily disabled, if the user authorizes himself with correct passwords.

The device also features a sector specific write protection. Software locking of flash memory sectors is provided to protect code and data. This feature disables both program and erase operations for all protected sectors. With write protection it is supported to protect the flash memory or parts of it from unauthorized programming or erase accesses and to provide virus-proof protection for all sectors.

Read and write protection is installed by specific security configuration words which are programmed by the user directly into two "Security Pages" (SecP0/1). After any reset, the security configuration is checked by the command state machine (IMB Core) and installations are stored (and indicated) in related registers. If any protection is enabled also the security pages are especially protected.

For authorization of short-term disabling of read protection or/and of write protection a password checking feature is provided. Only with correct 64-bit password a temporary unprotected state is taken and the protected command sequences are enabled. If not finished by the command "**Re-Enable Read/Write Protection**", the unprotected state is terminated with the next reset. Password checking is based on four 16-bit keywords (together 64 bits) which are programmed by the user directly into the "Security Page 0" (SecP0).

Special support is provided to protect also the protection installation itself against any stressing or beaming aggressors. The codes of configuration bits are selected, so that in case of any violation in the flash array, on the read path or in registers the protected state is taken per default. In registers and security pages, protection control bits are coded always with two bits, having both codes, "00<sub>B</sub>" and "11<sub>B</sub>" as indication of illegal and therefore protected state.

### 3.9.6 Protection Handling Details

As shortly described in “[Protection Overview](#)” on [Page 3-36](#) the flash memory can be in different protection states. The protection handling can be separated into different layers that interact with each other (see [Figure 3-7](#)).

- The lowest layer consists of the physical content of the security pages SecP0 and SecP1. This information is used to initialize the protection system during startup.
- The next layer consists of registers that report the state of the physical layer (IMB\_PROCONx) and the protection state (IMB\_FSR). The protection state can be temporarily changed with command sequences which is reflected in the IMB\_FSR.
- The highest layer is represented by 4 fields of the IMB\_IMBCTR register. These fields define the protection rights of the customer software (are read or write accesses currently allowed or not).

The IMB Core controls the protection state of all connected flash modules centrally. In this position it can supervise all accesses that are issued by the CPU.

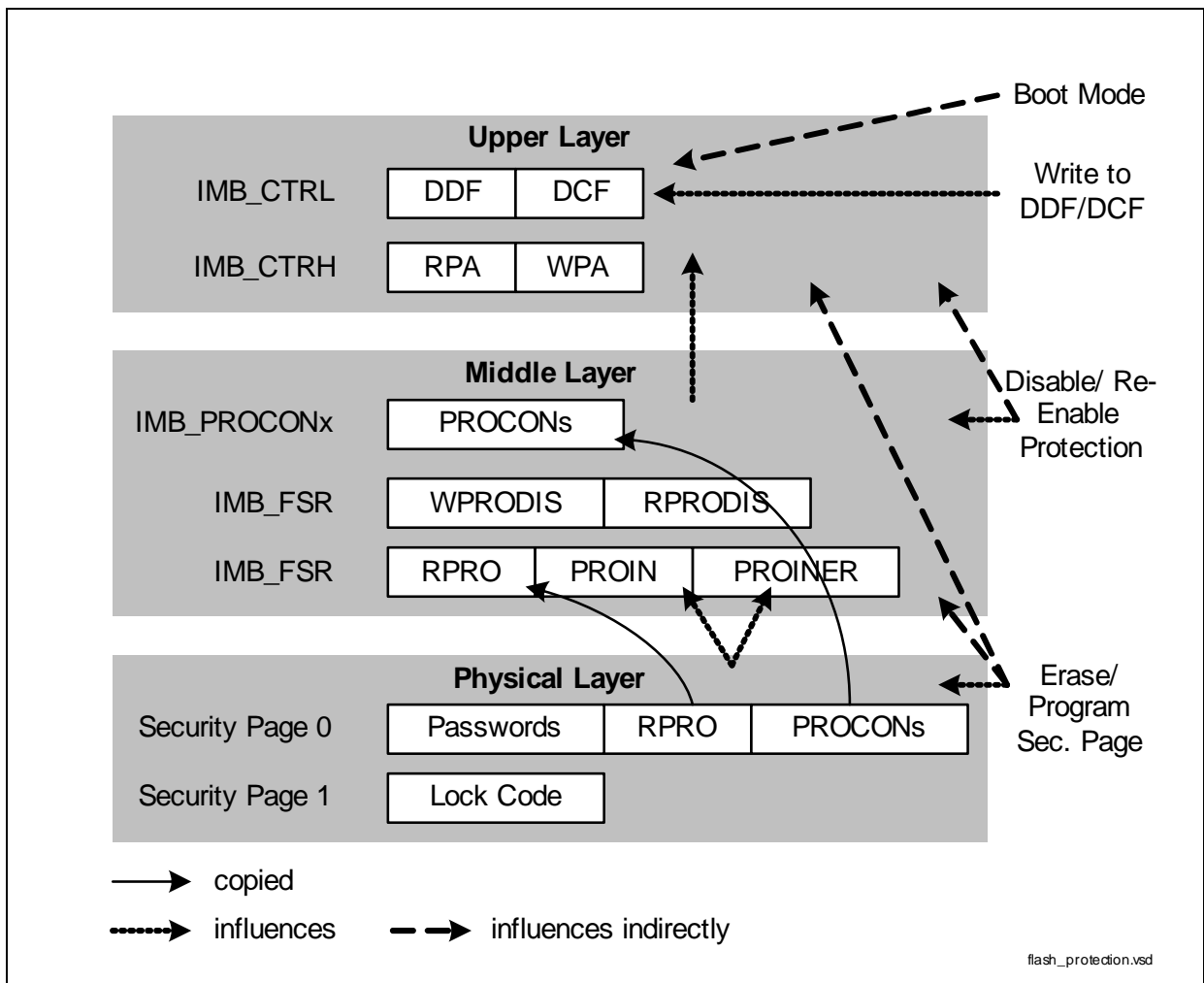


Figure 3-7 Protection Layers

### 3.9.6.1 The Lower Layer “Physical State”

After reset the protection state of the device is restored from the following information:

- The security page 1 contains a “lock code”. This consists of two words of data (32 bits). If it has the value AA55AA55<sub>H</sub> then security page 0 determines the protection state. Otherwise (i.e. the lock code was not found) the device is in the “non-protected state”. The content of the security page 0 is still copied into the registers as described in [“The Middle Layer “Flash State”” on Page 3-39](#) but their values are ignored in the non-protected state.
- The security page 0 contains the RPRO double bit, the write protection bits SnU and 4 passwords. If the field RPRO contains a valid 01<sub>B</sub> or 10<sub>B</sub> entry the page is valid and the device is in the “protection installed state”. The page content determines the security settings after startup. If SecP0 contains an invalid RPRO entry the device is in the “errored protection” state.

To summarize: the content of the security pages determines if the device is in the “non-protected state”, “protection installed state” or “errored protection state”. These states are reflected in the register settings of the next layer.

The device is usually delivered in the “non-protected state”.

The exact layout of the security pages is described in [“Layout of the Security Pages” on Page 3-43](#).

### 3.9.6.2 The Middle Layer “Flash State”

The middle layer consists of the registers IMB\_PROCONx and IMB\_FSRx and commands that manipulate them and the content of the security pages.

During startup the physical state is examined by the IMB Core and it is reflected in the following bit settings:

- “non-protected state”: IMB\_FSR.PROIN = 0, IMB\_FSR.PROINER = 0.
- “protection installed state”: IMB\_FSR.PROIN = 1, IMB\_FSR.PROINER = 0.
- “errored protection state”: IMB\_FSR.PROIN = 0, IMB\_FSR.PROINER = 1.

The fourth possible setting PROIN=1 and PROINER=1 is invalid and can not occur.

The IMB\_PROCONx registers are initialized during startup with the content of the security page 0. The bits DSBER and DDBER indicate if an ECC error occurred. The customer software has thus the possibility to detect disturbed security pages and it can refresh their content.

### Commands

Other bits of the IMB\_FSR: RPRODIS, WPRODIS, PROER can be manipulated with command sequences and define together with the other bits the protection effective for the next layer. All three bits are 0 after system startup.

The command “**Disable Read Protection**” sets RPRODIS to 1 if the correct passwords that are stored in SecP0 are supplied. If incorrect passwords are entered the bit PROER is set and RPRODIS stays unchanged. As protection against “brute force attacks” that search the correct password the password detection is locked. So after supplying the first incorrect password all following passwords even the correct ones are rejected with PROER. This state is only left by an Application Reset or by erasing SecP0.

The disabled protection can be enabled again by the Application Reset or by the command “**Re-Enable Read/Write Protection**” which clears RPRODIS again.

The bit PROER can be reset by an Application Reset or by the commands “**Reset to Read**” and “Clear Status”.

The command “**Disable Write Protection**” sets WPRODIS to 1 if the correct passwords are supplied. It behaves analog to RPRODIS as described above.

The command “**Re-Enable Read/Write Protection**” clears RPRODIS and WPRODIS.

The commands “**Enter Page Mode**”, “**Enter Security Page Mode**”, “**Erase Page**”, “**Erase Security Page**” and “**Erase Sector**” set PROER if the write access to the addressed range is not allowed. If a write access is allowed or not is determined by the next level.

**Table 3-4** summarizes how the “Flash State” of protection determines the RPA and WPA fields of IMB\_IMBCTR. For the double bits a short notation is used here and in the following sections: 1 means active, 0 means inactive, ‘#’ means invalid and ‘-’ means do not care including invalid states. The symbol ‘|’ means logic or.

**Table 3-4 “Flash State” Determining RPA and WPA**

IMB_FSR_PROIN	IMB_FSR_PROINER	IMB_FSR_RPRO	IMB_FSR_RPRODIS	IMB_FSR_WPRODIS	Resulting Security Level in RPA and WPA
0	0	-	-	-	Non-protected state: RPA = 0, WPA = 0.
1	0				Protection installed state (possibly disabled, see below):
		0	-	0	RPA = 0, WPA = 1.
		0	0	1	RPA = 0, WPA = 0.
		1   #	0	0	RPA = 1, WPA = 1.
		-	1	1	RPA = 0, WPA = 0 (all disabled).
		1   #	0	1	RPA = 1, WPA = 0.
		1   #	1	0	RPA = 0, WPA = 1.

**Table 3-4 “Flash State” Determining RPA and WPA (cont’d)**

IMB_FSR. PROI N	IMB_FSR. PROI NER	IMB_FSR. RPR O	IMB_FSR. RPR ODIS	IMB_FSR. WPR ODIS	Resulting Security Level in RPA and WPA
0	1				Errored protection state (see below):
		–	0	0	RPA = 1, WPA = 1.
		–	0	1	RPA = 1, WPA = 0.
		–	1	0	RPA = 0, WPA = 1.
		–	1	1	RPA = 0, WPA = 0.

### 3.9.6.3 The Upper Layer “Protection State”

This layer consists mainly of the 4 fields DCF, DDF, WPA and RPA of the IMB\_IMBCTR register. These determine the effective protection state together with registers of the lower layers. Some of the above mentioned command sequences directly influence these fields as well. In order to increase the resistance against beaming or power supply manipulation all 4 fields are coded with 2 bits. Generally “01” means active, “10” inactive and the two other states “00” and “11” are invalid and are recognized as “attacked” state.

#### Effective Security Level

The effective security level based on these 4 double-bits is summarized in [Table 3-5](#) and [Table 3-6](#). For the double bits the same short notation is used as before: 1 means active, 0 means inactive, ‘#’ means invalid and ‘–’ means do not care including invalid states.

**Table 3-5 Effective Read Security**

RPA	DCF	DDF	Security Level
0	–	–	No read protection.
1   #	0	0	No read protection.
	–	1   #	Data reads prohibited.
	1   #	–	Code fetches prohibited.

**Table 3-6 Effective Write Security**

WPA	RPA	Security Level
0	–	No write protection

**Table 3-6 Effective Write Security (cont'd)**

WPA	RPA	Security Level
1   #	1   #	Global write protection.
1   #	0	Sector specific write protection depending on IMB_PROCONx.

To summarize:

- Read protection is always globally affecting the whole flash memory range. Code fetches and data reads can be separately controlled.
- Write protection can be global when the read protection is effective or it can be specific for each logical sector.

The lower and the middle security layers determine how the 4 effective IMB\_IMBCTR fields are preset, changed and how software can access them. This is discussed in the following paragraphs.

### Initialization of the Effective Security Level

After Application Reset protection is activated so that RPA, WPA, DDF and DCF are set. During startup the IMB Core determines the stored security level as described in [“The Lower Layer “Physical State”” on Page 3-39](#) and sets IMB\_FSR.PROIN and IMB\_FSR.PROINER and IMB\_PROCONx as described in [“The Middle Layer “Flash State”” on Page 3-39](#). The IMB Core further initializes the IMB\_IMBCTR fields RPA and WPA according to the rules of [Table 3-4](#).

The bits DDF and DCF of the IMB\_IMBCTR are not initialized by the IMB Core. During system startup they are initialized depending on the startup condition. If code fetching starts in the flash memory then they are set to the inactive state. In all other cases they are activated to prevent read access to the flash memory without proving password knowledge.

### Changing the Effective Security Level

During run-time the effective security level can be changed. This can be done by directly writing to the IMB\_IMBCTR register or indirectly by changing the bits of the middle layer by commands as [“Disable Write Protection”](#) or even double indirectly by changing the content of the security pages which changes bits in the middle layer and influences the effective security level.

Writing directly to IMB\_IMBCTR:

- DCF and DDF can be deactivated only if RPA is inactive. They can always be activated.

Indirectly by using a command sequence:

- A successful [“Disable Read Protection”](#) sets RPRODIS and clears RPA.



- A successful “**Disable Write Protection**” sets WPRODIS and clears WPA.
- “**Re-Enable Read/Write Protection**” clears RPRODIS and WPRODIS and sets RPA and WPA according to **Table 3-4** depending on PROIN, PROINER and RPRO.

Double indirect by changing security pages. After executing a command sequence that changed the content of a security page the IMB Core immediately reads back the pages and determines all resulting security data as described for system startup in “**Initialization of the Effective Security Level**” on **Page 3-42**. The examples in “**Protection Handling Examples**” on **Page 3-45** will show how this can be used for installing and removing protection or changing passwords.

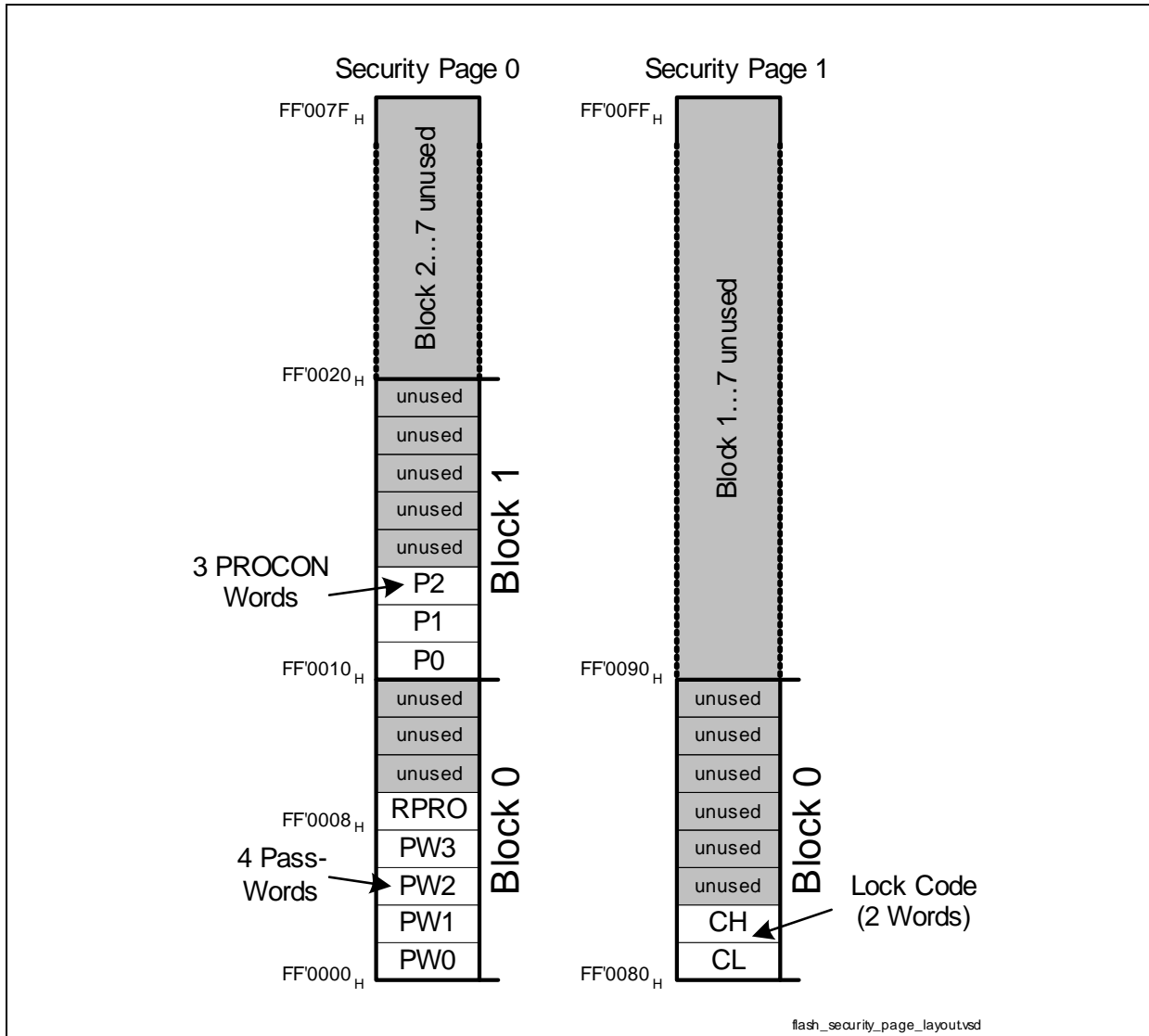
#### 3.9.6.4 Reaction on Protection Violation

If software tries to violate the protection rules the following happens:

- Reading data when read protection is effective: The bit IMB\_FSR.PROER is set and the Flash access trap can be triggered via the SCU if IMB\_INTCTR.DPROTRP is 0. Default data is delivered.
- Fetching code when read protection is effective: the trap code “TRAP 15<sub>D</sub>” is delivered instead.
- Programming or erasing memory ranges when they are write protected: PROER is set.

#### 3.9.6.5 Layout of the Security Pages

The previous sections just mentioned the content of the security pages. This section depicts their exact layout. **Figure 3-8** depicts symbolically the layout of the security pages 0 and 1.



**Figure 3-8** Layout of Security Pages

Generally the 16-bit words are stored as always in the XC2000 in little endian format.

- The PWx words contain the passwords.
- The double bit RPRO is stored as in the related ISFR **IMB\_FSR\_PROT** in the bits 15 and 14. The other bits of this word are unused and should be kept all-zero.
- The PROCON data is stored as defined in the **IMB\_PROCONx (x=0-2)** ISFR.
- The lock code consists of the two words CL and CH. Both contain “AA55<sub>H</sub>” to form the correct lock code.

All bytes of the used blocks of the security pages (block 0 and 1 of SecP0 and block 0 of SecP1) are to be considered as “reserved” and must be kept erased, i.e. with all-zero content. The unused blocks of the security pages (blocks 2 to 7 of SecP0 and blocks 1 to 7 of SecP1) shall be programmed with all-one data.

### 3.9.7 Protection Handling Examples

Some examples on how to work with the protection system.

#### Delivery State

The device is delivered in the “non-protected state”.

Security page 1 is erased (so it does not contain the “lock code” AA55AA55<sub>H</sub>).

Security page 0 is erased and so “invalid” but because SecP1 is erased this data is anyhow not evaluated. Only its content is copied into corresponding the registers.

During startup the bits DDF and DCF are set depending on the start mode but as RPA and WPA are inactive all accesses to the flash memory are allowed.

The data sectors of the flash memory are delivered in the erased state as well. All sectors can be programmed. After uploading the software the customer can install write and read protection.

#### First Time Password Installation

In order to install a password generally the lock code in SecP1 has to be erased. In this case the code is not present.

After that SecP0 must be erased with “[Erase Security Page](#)” in order to be able to change RPRO. Erasing SecP0 clears RPRO to “00<sub>B</sub>” which is an invalid state. After finishing the erase command the IMB Core restores the IMB\_FSR and IMB\_IMBCTR fields from the flash data.

Because no lock code is present in SecP1 the invalid state of RPRO has no effect on the user visible protection. Still all parts of the flash memory can be written.

The second step is to program the information of SecP0 with the required security information. Again the IMB Core reads immediately back the stored data and initializes the security system. As SecP1 still does not contain the lock code the device stays in the “non-protected” mode.

The security pages cannot be read directly by customer software. The data programmed into SecP0 can therefore only be verified indirectly. The data of the RPRO and SnU fields can be checked by reading the IMB\_PROCON and IMB\_FSR registers. The passwords can be verified with the command “[Disable Read Protection](#)”. If the password does not match the bit PROER is set. But because of the erased SecP1 the flash memory stays writable. So after erasing SecP0 the correct password can be programmed again.

After the SecP0 was verified successfully SecP1 gets programmed with the lock code AA55AA55<sub>H</sub> which enables the security settings of SecP0.

Because the password validation left RPRODIS set the command “[Re-Enable Read/Write Protection](#)” must be used to finally activate the new protection.

### Changing Passwords or Security Settings

Changing the passwords is a delicate operation. The interrelation of the two security pages must be kept in mind.

Usually in the protected state the SecP1 contains the lock code. First write protection must be disabled with the correct passwords. Then the lock code in SecP1 is erased. If this operation was successful PROIN will be cleared by the IMB Core. Now SecP0 can be safely erased.

From this point on the security pages are in the factory delivery state and the new passwords and security settings can be installed as described above.

***Attention: The number of times a security page may be changed is noted in the datasheet.***

### **3.9.8 EEPROM Emulation**

The flash memory of the XC2000 is used for three purposes:

1. Storage of program code. Updates happen usually very seldom. The main criteria to be fulfilled is a retention of the life-time of the product.
2. Storage of constant data: this data is stored together with program code. So this data is very seldom updated. Endurance is of no issue here but retention identical to the code memory is required.
3. Data updated during run-time: this might be data with a very high frequency of updates like a mileage counter or access keys for key-less entry. Other data might be changed only in case of failures and other data might only be transferred from RAM to non-volatile memory before the system is powered down.

Especially for the third type of data the non-volatile memory needs EEPROM like characteristics:

- Fine program/erase granularity which is in EEPROMs typically 1 byte.
- Higher endurance than the intrinsic endurance of flash cells.
- Short program and erase duration per byte. Especially for storing data in an emergency (e.g. power failure) short latencies might be required.

A basic requirement for changing data during run-time is that code execution can still resume, especially interrupt requests must still be serviced. This requirement is fulfilled in the XC2000 because all three flash modules work independently. If one is busy with program or erase then code can still be executed from the other two.

The other requirements are more difficult to fulfill because the XC2000 does not have an EEPROM available but only the flash memory with the already frequently mentioned limitations: big program/erase granularity, moderately long program/erase duration, limited cell endurance with reduced retention at high number of program/erase cycles, pages not isolated but affected by drain disturbs.

In order to alleviate these effects on run-time storage of data software is used to emulate EEPROM. There is quite a number of algorithms for efficiently using flash memory as EEPROM. The following section describes one (the most simple) of these algorithms.

It should be noted that the XC2000 does not offer the customer any hardware means for EEPROM emulation. All of the following must be realized by software.

#### **3.9.8.1 The Traditional EEPROM Emulation**

This algorithm was already used in the Pegasus devices. The key point is to solve the limited endurance by storing data in N different physical places. In XC2000 the algorithm would use N sequential pages or groups of pages. If data is currently stored in the page "x" then the next program happens to the page "(x+1) mod N". The software typically stores the current address in a table in RAM to avoid searching for the page at every access.

In order to find the current data after boot-up every entry must be marked. Either it contains a counter (from 0 to  $2*N-1$ ) or the old entries are invalidated by erasing the page after programming the new one.

After boot-up the emulation driver software must recover this mapping information<sup>1)</sup>. The same must happen in case of power-down modes that shut-down the main memory.

As all involved pages are re-used cyclically the endurance from customer perspective is increased by the factor N. N must be chosen high enough to fulfill endurance and retention requirements. Disturbs in the group of N pages are no issue because they incur at most N-1 disturbs before they get written with new data. Care must be taken however if one sector accommodates different groups of pages with different update behavior. In this case the updates of one group of pages could exceed the disturb limits of the other group. So generally one sector should be used only by one such EEPROM cyclic buffer.

The algorithm keeps the old data until the new data is verified so power failure during programming can only destroy the last update but the older data is still available. There are still some issues with power failure that need special treatment:

- Power is cut during programming: the following boot-up might find an apparently correctly programmed page. However the cells might be not fully programmed and thus have a much lower retention. The algorithm must detect this situation and finalize the programming, e.g. with margin reads.
- Power is cut during erase: the same as above can happen. Data may appear as erased but the retention is lowered.

The algorithm can be improved to cover these cases as well. The easiest solution is to use margin reads to verify the program or erase steps.

The main deficiency of the described algorithm is that the software designer is required to plan the use of the flash memory thoroughly. The user has to choose the correct value of N. Then all data has to be allocated to pages. Data sharing one page should have a similar or better identical update pattern (otherwise unchanged data is unnecessarily written). If one set of data does not fill a complete sector the available pages must be possibly left unused because they might incur too many drain disturbs.

There are other algorithms that try to alleviate these efforts by monitoring the flash usage and adapt automatically the assignment of data to flash cells.

---

<sup>1)</sup> This time must be taken into account for calculating the startup duration.

### 3.9.9 Interrupt Generation

Long lasting processes (these are mainly: program page, erase page, erase sector and margin changes) set the `IMB_FSR.BUSY` flag of one flash module when accepting the request and reset this flag after finishing the process. Software is required to poll the busy flag in order to determine the end of the operation. In order to release the software from this burden an interrupt can be generated. If the interrupt is enabled by `IMB_INTCTRL.IEN` then all transitions from 1 to 0 of one of the 3 `IMB_FSR.BUSY` flags send an interrupt request.

The “**Enter Page Mode**” command sets `BUSY` only for around 100 clock cycles. It is usually not advisable to enable the interrupt for this command.

The register `IMB_INTCTR` contains fields for the interrupt status “`ISR`”, an enable for the interrupt request “`IEN`” and fields for clearing the status flag “`ICLR`” or setting it “`ISET`”. It should be noted that the interrupt request is only sent when `ISR` becomes 1 and `IEN` was already 1. No interrupt is sent when `IEN` becomes 1 when `ISR` was already 1 or both are set to 1 at the same time.

### 3.10 On-Chip Program Memory Control

The internal memory block “IMB” contains all memories of the so called “on-chip program memory area” in the address range from C0’0000<sub>H</sub> to FF’FFFF<sub>H</sub>. Included are the program SRAM, the embedded flash memories and central control logic called “IMB Core”.

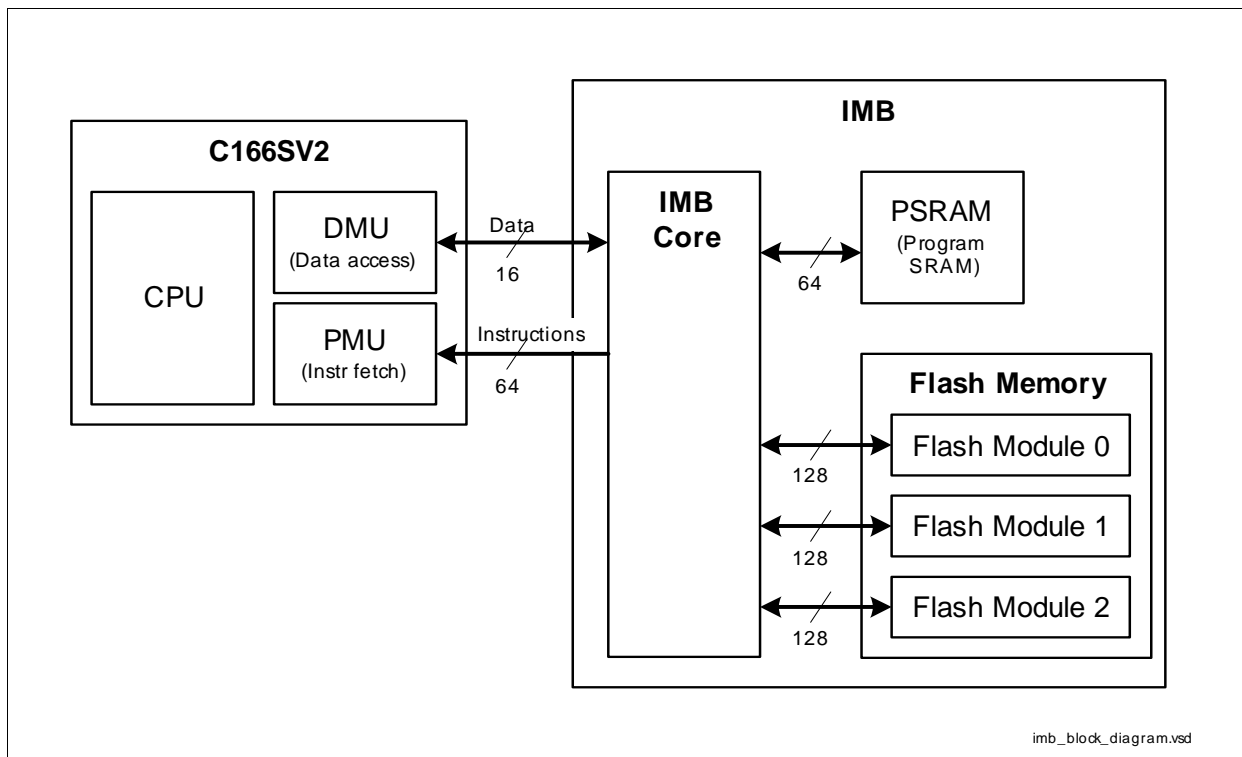
In the XC2000 device the IMB contains the following memories:

- 764 KB flash memory in three independent modules.
- 64 KB program SRAM (see [Section 3.4.1](#)).

The IMB connects these memories to the CPU data bus and the instruction fetch bus. Each memory can contain instruction code, data or a mixture of both. The IMB manages accesses to the memories and supports flash programming and erase.

#### 3.10.1 Overview

The [Figure 3-9](#) shows how the IMB and its memories are integrated into the device architecture. Only the main data streams are included. The data buses are usually accompanied by address and control signals and check-sum data like parity or ECC.



**Figure 3-9 IMB Block Diagram**

The CPU has two independent busses. The instruction fetch bus is controlled by the program management unit “PMU” of the CPU. It fetches instructions in aligned groups of 64 bits. The instruction fetch unit of the CPU predicts the outcome of jumps and fetches



instructions on the predicted branch in advance. In case of a misprediction this interface can abort outstanding requests and continues fetching on the correct branch. As the CPU can consume up to one 32-bit instruction per clock cycle the performance of this interface determines the CPU performance.

The data bus is controlled by the data management unit “DMU” of the CPU. It reads data in words of 16 bits. Write accesses address as well 16-bit words but additional byte enables allow changing single bytes.

Because of the CPU’s “von Neumann” architecture data and instructions (and “special function registers” to complete the list) share a common address range. When instructions are used as data (e.g. when copying code from an IO interface to the PSRAM) they are accessed via the data bus. The pipelined behavior of the CPU can cause that code fetches and data accesses are requested simultaneously. The IMB takes care that accesses can perform concurrently if they address different memories or flash modules.

Additional connections of the IMB to central system control units exist. These are not shown in the block diagram.

### 3.10.2 Register Interface

The “[IMB Registers](#)” on [Page 3-52](#) describes the special function registers of the IMB. In “[System Control Registers](#)” on [Page 3-63](#) the special function registers that influence the IMB but are not allocated to the IMB address range are described.

#### 3.10.2.1 IMB Registers

The section describes all IMB special function registers.

**Table 3-7 Registers Overview**

Register Short Name	Register Long Name	Offset Address	Page Number
IMB_IMBCTRL	IMB Control Low	FF FF00 <sub>H</sub>	<a href="#">Page 3-52</a>
IMB_IMBCTRH	IMB Control High	FF FF02 <sub>H</sub>	<a href="#">Page 3-54</a>
IMB_INTCTR	Interrupt Control	FF FF04 <sub>H</sub>	<a href="#">Page 3-55</a>
IMB_FSR_BUSY	Flash State Busy	FF FF06 <sub>H</sub>	<a href="#">Page 3-57</a>
IMB_FSR_OP	Flash State Operations	FF FF08 <sub>H</sub>	<a href="#">Page 3-57</a>
IMB_FSR_PROT	Flash State Protection	FF FF0A <sub>H</sub>	<a href="#">Page 3-59</a>
IMB_MAR	Margin	FF FF0C <sub>H</sub>	<a href="#">Page 3-61</a>
IMB_PROCON0	Protection Configuration 0	FF FF10 <sub>H</sub>	<a href="#">Page 3-62</a>
IMB_PROCON1	Protection Configuration 1	FF FF12 <sub>H</sub>	<a href="#">Page 3-62</a>
IMB_PROCON2	Protection Configuration 2	FF FF14 <sub>H</sub>	<a href="#">Page 3-62</a>

#### IMB Control

Global IMB control.

Both IMB\_IMBCTRL and IMB\_IMBCTRH are reset by an Application Reset.

The write access to both registers is controlled by the register security mechanism as defined in the SCU chapter “[Register Control](#)” on [Page 6-181](#). Please note that the register write-protection is not activated automatically again after an access to IMB\_IMBCTR because this happens only for SCU internal registers.

#### IMB\_IMBCTRL

##### IMB Control Low

##### ISFR (FF FF00<sub>H</sub>)

Reset value: 558C<sub>H</sub>

15	14	13	12	11	10	9	8	7	6	5	4	3	2	1	0
DDF		DCF		-	-	-	-	-	-	-	-	DLC PF	WSFLASH		
rw		rw		-	-	-	-	-	-	-	-	rw	rw		

Field	Bits	Typ	Description
WSFLASH	[2:0]	rw	<p><b>Wait States for Flash Access</b>            Number of wait cycles after which the IMB expects read data from the flash memory.            This field determines as well the read timing of the PSRAM in the flash emulation address range. See <b>“Flash Emulation” on Page 3-12.</b>  <i>Note: WSFLASH must not be 0. This value is forbidden!</i></p>
DLCPF	3	rw	<p><b>Disable Linear Code Pre-Fetch</b>            0: “High Speed Mode”: When the next read request will be delivered from the buffer and so the flash memory would be idle, the IMB Core autonomously increments the last address and reads the next 128-bit block from the flash memory.            1: “Low Power Mode”: This feature is disabled. Usually for code with power minimization requirements or for code with short linear code sections this feature should be disabled (DLCPF = 1). Enabling this feature is only advantageous for code section with longer linear sequences. With lower values of WSFLASH the performance gain of DLCPF=0 is reduced. In case of low WSFLASH settings DLCPF=1 might even lead to better performance than with linear code pre-fetch.</p>
DCF	[13:12]	rw	<p><b>Disable Code Fetch from Flash Memory</b>            “01”: Short notation DCF = 1. If RPA = 1 instructions cannot be fetched from flash memory. If RPA = 0 this field has no effect.            “10”: Short notation DCF = 0. Instructions can be fetched independent of RPA.            “00”   “11”: Illegal state. Has the same effect as “01”. This state can only be left by an Application Reset.            During startup or test mode or when RPA = 0 software can change this field to any value. Otherwise code fetch can only be disabled but not enabled anymore until the next Application Reset.</p>

Field	Bits	Typ	Description
DDF	[15:14]	rw	<p><b>Disable Data Read from Flash Memory</b></p> <p>“01”: Short notation DDF = 1. If RPA = 1 data cannot be read from flash memory. If RPA = 0 this field has no effect.</p> <p>“10”: Short notation DDF = 0. Data can be read independent of RPA.</p> <p>“00”   “11”: Illegal state. Has the same effect as “01”. This state can only be left by an Application Reset.</p> <p>During startup or test mode or when RPA = 0 software can change this field to any value. Otherwise data reads can only be disabled but not enabled anymore until the next Application Reset.</p>

IMB control high word. The WPA and RPA fields are described in [“Protection Handling Details” on Page 3-38](#).

**IMB\_IMBCTRH**

**IMB Control High**

**ISFR (FF FF02<sub>H</sub>)**

**Reset value: 0005<sub>H</sub>**

15	14	13	12	11	10	9	8	7	6	5	4	3	2	1	0
PSPROT								-	-	-	-	RPA	WPA		
				rw				-				rh		rh	

Field	Bits	Typ	Description
WPA	[1:0]	rh	<p><b>Write Protection Activated</b></p> <p>“01”: Short notation WPA = 1. The write protection of the flash memory is activated.</p> <p>“10”: Short notation WPA = 0. The write protection is not activated.</p> <p>“00”   “11”: Illegal state. Same effect as “01”. The illegal state can only be left by an Application Reset.</p> <p>This field is only changed by the IMB Core. Software writes are ignored.</p>

Field	Bits	Typ	Description
RPA	[3:2]	rh	<p><b>Read Protection Activated</b></p> <p>“01”: Short notation RPA = 1. The read protection of the flash memory is activated.</p> <p>“10”: Short notation RPA = 0. The read protection is not activated.</p> <p>“00”   “11”: Illegal state. Same effect as “01”. The illegal state can only be left by an Application Reset.</p> <p>This field is only changed by the IMB Core. Software writes are ignored.</p>
PSPROT	[15:8]	rw	<p><b>PSRAM Write Protection</b></p> <p>This 8-bit field determines the address up to which the PSRAM is write protected.</p> <p>The start address of the writable range is <math>E0'0000_H + 1000_H * PSPROT</math>. The end address is determined by the implemented memory. The equivalent range in the PSRAM area with flash access timing is protected as well. Here the writable range starts at <math>E8'0000_H + 1000_H * PSPROT</math> and ends at <math>E8'FFFF_H</math> for XC2000.</p> <p>So with <math>PSPROT=00_H</math> the complete PSRAM is writable. In case of XC2000 with <math>PSPROT=10_H</math> or bigger the complete implemented PSRAM is write-protected.</p>

### Interrupt Control

Interrupt control and status.  
Reset by Application Reset.

### IMB\_INTCTR

#### Interrupt Control

#### ISFR (FF FF04<sub>H</sub>)

Reset value: 0000<sub>H</sub>

15	14	13	12	11	10	9	8	7	6	5	4	3	2	1	0
ISR	PSE R	-	-	-	PSE RCL R	ISET	ICLR	-	-	-	-	DPR OTR P	DDD TRP	DIDT RP	IEN
rh	rh	-	-	-	w	w	w	-	-	-	-	rw	rw	rw	rw

Field	Bits	Typ	Description
IEN	0	rw	<b>Interrupt Enable</b> If set, the interrupt signal of the IMB gets activated when ISR is set.
DIDTRP	1	rw	<b>Disable Instruction Fetch Double Bit Error Trap</b> If set, a double bit ECC error does not cause the replacement of the fetched data by a trap instruction.
DDDTRP	2	rw	<b>Disable Data Read Double Bit Error Trap</b> If set, a double bit ECC error during data read does not trigger the Flash access hardware trap.
DPROTRP	3	rw	<b>Disable Protection Trap</b> If set, a read request from read protected flash memory does not trigger the Flash access hardware trap.
ICLR	8	w	<b>Interrupt Clear</b> When written with 1 the ISR is cleared. Reading this bit delivers always 0. Writing a 0 is ignored.
ISET	9	w	<b>Interrupt Set</b> When written with 1 the ISR is set and if IEN is set the interrupt signal is activated. Reading this bit delivers always 0. Writing a 0 is ignored. When writing ISET and ICLR to 1 concurrently ISET takes priority so ISR is set.
PSERCLR	10	w	<b>Clear PSRAM Error Flag</b> When written with 1 the PSER is cleared. Reading this bit delivers always 0. Writing a 0 is ignored.
PSER	14	rh	<b>PSRAM Error Flag</b> This flag is set when write requests to the write protected or not implemented PSRAM range are detected. This flag can be cleared by writing 1 to PSERCLR.
ISR	15	rh	<b>Interrupt Service Request</b> If set, it indicates that at least one IMB_FSR.BUSY bit changed from 1 to 0. If IEN was set an interrupt request is sent to the interrupt controller. After servicing the interrupt the software handler clears this flag by writing a 1 to ICLR.

**Flash State**

Flash state. Split into 3 registers IMB\_FSR\_BUSY, IMB\_FSR\_OP, and IMB\_FSR\_PROT. The protection relevant fields or IMB\_FSR\_PROT are described in [“Protection Handling Details” on Page 3-38](#).

The registers are reset by the Application Reset with the exception of “ERASE”, “PROG”, and “OPER”. These three fields are only reset by a System Reset.

**IMB\_FSR\_BUSY**

**Flash State Busy**

**ISFR (FF FF06<sub>H</sub>)**

**Reset value: 0000<sub>H</sub>**

15	14	13	12	11	10	9	8	7	6	5	4	3	2	1	0
-	-	-	-	-	PAGE			-	-	-	-	-	BUSY		
-	-	-	-	-	rh			-	-	-	-	-	rh		

Field	Bits	Typ	Description
BUSY	[2:0]	rh	<b>Busy</b> A flash module is busy with a task. Each bit position corresponds to one of the 3 flash modules. The task is indicated by the bits MAR, POWER, ERASE or PROG of IMB_FSR_OP. BUSY is automatically cleared when the task has finished. The corresponding task indication is not cleared in order to allow an interrupt handler to determine the finished task.
PAGE	[10:8]	rh	<b>Page Mode Indication</b> Set as long the corresponding flash module is in page mode. Page mode is entered by the <a href="#">“Enter Page Mode”</a> commands and finished by a <a href="#">“Program Page”</a> command. The page mode can be also left by a <a href="#">“Reset to Read”</a> command. Also an Application Reset clears this bit.

**IMB\_FSR\_OP**

**Flash State Operations**

**ISFR (FF FF08<sub>H</sub>)**

**Reset value: 0000<sub>H</sub>**

15	14	13	12	11	10	9	8	7	6	5	4	3	2	1	0
-	-	-	-	-	-	-	-	-	-	OPER	SQER	MAR	POWER	ERASE	PROG
-	-	-	-	-	-	-	-	-	-	rh	rh	rh	rh	rh	rh

Field	Bits	Typ	Description
PROG	0	rh	<p><b>Program Task Indication</b></p> <p>This bit is set when a program task is started. The affected flash module is indicated by a BUSY bit. The PROG bit is not automatically reset but must be cleared by a “<b>Clear Status</b>” command. This bit is not cleared by an Application Reset but only by a System Reset.</p>
ERASE	1	rh	<p><b>Erase Task Indication</b></p> <p>This bit is set when an erase task is started. The affected flash module is indicated by a BUSY bit. The ERASE bit is not automatically reset but must be cleared by a “<b>Clear Status</b>” command. This bit is not cleared by an Application Reset but only by a System Reset.</p>
POWER	2	rh	<p><b>Power Change Indication</b></p> <p>This bit indicates that a flash module is in its startup phase or in a shutdown phase. The BUSY bits indicate which flash module is busy. This bit is not automatically reset but must be cleared by a “<b>Clear Status</b>” command.</p>
MAR	3	rh	<p><b>Margin Change Indication</b></p> <p>If a read margin modification is requested this bit is set together with the corresponding BUSY bit. The BUSY bit is cleared when the margin change is effective and the flash module can be read again. The MAR bit must be cleared by a “<b>Clear Status</b>” command.</p>
SQER	4	rh	<p><b>Sequence Error</b></p> <p>This bit is set by a errored command sequence or a command that is not accepted. It is cleared by “<b>Clear Status</b>” and “<b>Reset to Read</b>”.</p>



Field	Bits	Typ	Description
OPER	5	rh	<p><b>Operation Error</b></p> <p>The IMB Core maintains internal bits that are set when starting a program or erase process. They are cleared when this process finishes. These bits are not reset by an Application Reset but only by a System Reset. If one of these bits is set after Application Reset the IMB Core sets OPER. So this signals that a running erase or program process was interrupted by an Application Reset.</p> <p>The OPER is cleared by “<a href="#">Reset to Read</a>”, “<a href="#">Clear Status</a>” or a System Reset.</p>

**IMB\_FSR\_PROT**

**Flash State Protection**

**ISFR (FF FF0A<sub>H</sub>)**

**Reset value: x000<sub>H</sub>**

15	14	13	12	11	10	9	8	7	6	5	4	3	2	1	0
RPRO	-	-	DDB ER	DSB ER	IDBE R	ISBE R	-	-	-	PRO ER	WPR ODIS	RPR ODIS	PROI NER	PROI N	
rh	-	-	rh	rh	rh	rh	-	-	-	rh	rh	rh	rh	rh	

Field	Bits	Typ	Description
PROIN	0	rh	<p><b>Flash Protection Installed</b></p> <p>Modified by the IMB Core. Cleared by Application Reset.</p>
PROINER	1	rh	<p><b>Flash Protection Installation Error</b></p> <p>Modified by the IMB Core. Cleared by Application Reset.</p>
RPRODIS	2	rh	<p><b>Read Protection Disabled</b></p> <p>The read protection was temporarily disabled with the “<a href="#">Disable Read Protection</a>” command. Modified by the IMB Core. Cleared by Application Reset.</p>
WPRODIS	3	rh	<p><b>Write Protection Disabled</b></p> <p>The write protection was temporarily disabled with the “<a href="#">Disable Write Protection</a>” command. Modified by the IMB Core. Cleared by Application Reset.</p>

<b>Field</b>	<b>Bits</b>	<b>Typ</b>	<b>Description</b>
PROER	4	rh	<b>Protection Error</b> Set by a violation of the installed protection. Reset by the “ <b>Clear Status</b> ” and “ <b>Reset to Read</b> ” commands or an Application Reset.
ISBER	8	rh	<b>Instruction Fetch Single Bit Error</b> Set if during instruction fetch a single-bit ECC error was detected (and corrected). Reset by “ <b>Clear Status</b> ” or “ <b>Reset to Read</b> ” commands or an Application Reset.
IDBER	9	rh	<b>Instruction Fetch Double Bit Error</b> Set if during instruction fetch a double-bit ECC error was detected (and not corrected). Reset by “ <b>Clear Status</b> ” or “ <b>Reset to Read</b> ” commands or an Application Reset.
DSBER	10	rh	<b>Data Read Single Bit Error</b> Same as ISBER for data reads.
DDBER	11	rh	<b>Data Read Double Bit Error</b> Same as IDBER for data reads.
RPRO	[15:14]	rh	<b>Read Protection Configuration</b> This field is copied by the IMB Core from the corresponding field in the security page 0. After Application Reset read protection is activated.

### Margin Control

Read margin control. Each field corresponds to one flash module. A hard read 0 detects not completely erased cells. These are read as “1”. A hard read 1 detects not completely programmed cells. These are read as “0”. Read margin changes are caused by the command sequence “**Change Read Margin**”. The resulting read margin is reflected in this status register.

The command sequences “**Program Page**”, “**Erase Sector**”, “**Erase Page**” and “**Erase Security Page**” resets the read margin back to “normal”. The same happens in case of a flash wake-up.

Reset by Application Reset.

**IMB\_MAR**

**Margin Control**

**ISFR (FF FF0C<sub>H</sub>)**

Reset value: 0000<sub>H</sub>

15	14	13	12	11	10	9	8	7	6	5	4	3	2	1	0
–	–	–	–	–	–	–	HREAD2			HREAD1			HREAD0		
–	–	–	–	–	–	–	rh			rh			rh		

Field	Bits	Typ	Description
HREAD0	[2:0]	rh	<b>Hard Read 0</b> Active read margin of flash module 0. “000”: Normal read. “001”: Hard read 0. “010”: Alternate hard read 0 (usually harder than 001). “101”: Hard read 1. “110”: Alternate hard read 1 (usually harder than 101). other codes: Reserved.
HREAD1	[5:3]	rh	<b>Hard Read 1</b> Same for flash module 1.
HREAD2	[8:6]	rh	<b>Hard Read 2</b> Same for flash module 2.

**Protection Configuration**

Protection configuration register of each implemented flash module. In XC2000 PROCON0, PROCON1 and PROCON2 are implemented. PROCON0 is described below. PROCON1 (at address FF’0012<sub>H</sub>) and PROCON2 (at address FF’F014<sub>H</sub>) have the same functionality for the other two flash modules. The logical sector numbering is depicted in [Figure 3-6](#).

Each bit of the PROCONs is related to a logical sector. If it is cleared the write access to the corresponding logical sector (this means to the range of physical sectors) is locked under the conditions that are documented in [“Protection Handling Details” on Page 3-38](#). The PROCON registers are exclusively modified by the IMB Core.

Reset by Application Reset.

**IMB\_PROCONx (x=0-2)**

Protection Configuration.

ISFR (FF FF10<sub>H</sub>+2\*x)

Reset value: 0000<sub>H</sub>

15	14	13	12	11	10	9	8	7	6	5	4	3	2	1	0
-	-	-	-	-	-	S9U	S8U	S7U	S6U	S5U	S4U	S3U	S2U	S1U	S0U
-	-	-	-	-	-	rh	rh	rh	rh	rh	rh	rh	rh	rh	rh

Field	Bits	Typ	Description
SsU (s=0-9)	s	rh	<b>Sector 0 to 9 Unlock</b> s: Logical sector s of flash module 0 is write-protected.

### 3.10.2.2 System Control Registers

These registers are used to wakeup and shutdown parts of the memory sub-system.

**Table 3-8 Registers Address Space**

Module	Base Address	End Address	Note
SCU	0000 <sub>H</sub>	0FFF <sub>H</sub>	SCU Module

**Table 3-9 Registers Overview**

Register Short Name	Register Long Name	Offset Address	Page Number
MEM_KSCCFG	Memory Kernel Control	F012 <sub>H</sub>	<a href="#">Page 3-63</a>
FL_KSCCFG	Flash Kernel Control	FE22 <sub>H</sub>	<a href="#">Page 3-64</a>

#### Memory Kernel Configuration

This register controls the shutdown request of the processor sub-system units DMU, PMU, IMB and EBC (see [“Processor Sub-System Shutdown” on Page 3-67](#)). The layout of this register is identical to the other KSCCFGs but only the field COMCFG may be used. Two values of this field might be used: 00<sub>B</sub> means that the “Clock-off Mode” does not trigger a shutdown of the processor sub-system. This may be used only if the system clock of DMP\_1 is not disabled in the “Clock-off Mode”.

The second useful value is 10<sub>B</sub>. This value must be used in all cases when the “Clock-off Mode” is accompanied by disabling the system clock of the DMP\_1. In this case the sequence described in [“Processor Sub-System Shutdown” on Page 3-67](#) must be performed.

This register gets is reset by an Application Reset. **Attention:** the reset value of COMCFG is 00<sub>B</sub>.

#### MEM\_KSCCFG

Memory Kernel State Con      ESFR (F012<sub>H</sub>/06<sub>H</sub>)      Reset Value: 0001<sub>H</sub>

	15	14	13	12	11	10	9	8	7	6	5	4	3	2	1	0
BP COM	-	-	COMCFG	-	-	-	-	-	-	-	-	-	-	-	-	1
	w	-	rw	-	-	-	-	-	-	-	-	-	-	-	-	rw

Field	Bits	Type	Description
1	0	rw	Has to be written to 1.

Field	Bits	Type	Description
<b>COMCFG</b>	[13:12]	rw	<b>Clock Off Mode Configuration</b> This bit field defines if the shutdown request is activated in clock-off mode. If COMCFG[13] is 1 the shutdown request is activated in clock-off mode (i.e. CR = 10). COMCFG[12] has no functionality.
<b>BPCOM</b>	15	w	<b>Bit Protection for COMCFG</b> This bit enables the write access to the bit field COMCFG. It always reads 0. It is only active during the write access cycle. 0 The bit field COMCFG is not changed. 1 The bit field COMCFG is updated with the written value.

### Flash Kernel Configuration

This register controls the power-down request of the flash module. When configuring this register care must be taken not to enable a powered-down flash module when the operating voltage is not sufficient. In this case all CFG fields should contain 10<sub>B</sub>.

This register is reset by an Application Reset.

### FL\_KSCCFG

Flash Kernel State Con.

SFR (FE22<sub>H</sub>/11<sub>H</sub>)

Reset Value: 0001<sub>H</sub>

15	14	13	12	11	10	9	8	7	6	5	4	3	2	1	0
<b>BP COM</b>	–	<b>COMCFG</b>	<b>BP SUM</b>	–	<b>SUMCFG</b>	<b>BP NOM</b>	–	<b>NOMCFG</b>	–				<b>BP MOD EN</b>	<b>MOD EN</b>	
w	–	rw	w	–	rw	w	–	rw	–				w	rw	

Field	Bits	Type	Description
<b>MODEN</b>	0	rw	<b>Module Enable</b> This bit can directly set the power-down request. 0 The power-down request is activated. 1 This field has no effect.

Field	Bits	Type	Description
<b>BPMODEN</b>	1	w	<p><b>Bit Protection for MODEN</b></p> <p>This bit enables the write access to the bit MODEN. It always reads 0. It is only active during the write access cycle.</p> <p>0 The bit MODEN is not changed. 1 The bit MODEN is updated with the written value.</p>
<b>NOMCFG</b>	[5:4]	rw	<p><b>Normal Operation Mode Configuration</b></p> <p>This bit field defines if the power-down request is activated in normal operation mode. If NOMCFG[5] is 1 the power-down request is activated in normal mode (i.e. CR = 00 or 11). NOMCFG[4] has no functionality.</p>
<b>BPNUM</b>	7	w	<p><b>Bit Protection for NOMCFG</b></p> <p>This bit enables the write access to the bit field NOMCFG. It always reads 0. It is only active during the write access cycle.</p> <p>0 The bit field NOMCFG is not changed. 1 The bit field NOMCFG is updated with the written value.</p>
<b>SUMCFG</b>	[9:8]	rw	<p><b>Suspend Mode Configuration</b></p> <p>This bit field defines if the power-down request is activated in suspend mode (which makes only sense if it is activated in normal mode as well). If SUMCFG[9] is 1 the power-down request is activated in shutdown mode (i.e. CR = 01). SUMCFG[8] has no functionality.</p>
<b>BPSUM</b>	11	w	<p><b>Bit Protection for SUMCFG</b></p> <p>This bit enables the write access to the bit field SUMCFG. It always reads 0. It is only active during the write access cycle.</p> <p>0 The bit field SUMCFG is not changed. 1 The bit field SUMCFG is updated with the written value.</p>

Field	Bits	Type	Description
<b>COMCFG</b>	[13:12]	rw	<p><b>Clock Off Mode Configuration</b></p> <p>This bit field defines if the power-down request is activated in clock-off mode.</p> <p>If COMCFG[13] is 1 the power-down request is activated in clock-off mode (i.e. CR = 10). COMCFG[12] has no functionality.</p>
<b>BPCOM</b>	15	w	<p><b>Bit Protection for COMCFG</b></p> <p>This bit enables the write access to the bit field COMCFG. It always reads 0. It is only active during the write access cycle.</p> <p>0     The bit field COMCFG is not changed. 1     The bit field COMCFG is updated with the written value.</p>



### 3.10.3 Startup, Shutdown

This section describes only shortly the shutdown and wake-up of the memory and processor sub-system. The use of this functionality is delicate and should be done with a software low-level driver according to Infineon recommendations.

#### 3.10.3.1 Processor Sub-System Shutdown

The IMB with its memories PSRAM and the Flash memory is — from a programmers point of view — part of the processor sub-system. This contains additionally the CPU with its memories, the DMU, the PMU, and the EBC. All these modules must be active (i.e. have a sufficient power supply and a running clock) to execute software. Consequently, their shutdown is controlled by a common KSCCFG called **MEM\_KSCCFG** (see [Page 3-63](#)).

Before stopping the system clock or performing a power mode change the complete processor sub-system must be shutdown cleanly. This requires the following steps:

- The CPU executes the IDLE instruction. This instruction cleans up the processor pipeline and the CPU stops fetching instructions. After that the idle state is reported to the system control unit specifically the PSC (see [“Power State Controller \(PSC\)” on Page 6-128](#)).
- The PSC must be configured so that — triggered by the IDLE — it performs a sequence A transition. The sequence A entry triggers the “Clock-off Mode” request by the GSC.
- The **MEM\_KSCCFG.COMCFG** must be set to 10<sub>B</sub> so that the “Clock-off Mode” request of the GSC activates the shutdown request of the processor sub-system modules DMU, PMU, IMB and EBC. These acknowledge the request after finishing all outstanding tasks.
- The PSC can after that disable the system clock of DMP\_1.

The system control unit must not be configured to disable the system clock without performing this sequence. The danger is that the clock is switched off before the last tasks of the processor sub-system have finished. Mainly affected are the following longer lasting tasks:

- Write accesses to the PSRAM: the last write access could be dropped.
- Longer lasting processes in the Flash (e.g. erase sector, program page, ...).
- Write accesses via the EBC (e.g. to slow external memories): switching off the clock while the external bus is active could even lead to timing violations at external memories with loss of data.

The details of the registers **MEM\_KSCCFG** and the **FL\_KSCCFG** are described in [“System Control Registers” on Page 3-63](#).

### **3.10.3.2 Flash Module Power-Down**

Before the power supply voltage of the IMB is reduced below 1.5 V the flash arrays must be powered down. The SCU controls the flash power-down with a dedicated kernel state control register, the **FL\_KSCCFG**. The flash power-down is requested by the SCU when FL\_KSCCFG.MODEN is 0 (the flash is disabled) or in case of a global clock-off mode when the field FL\_KSCCFG.COMCFG contains “10” or “11”. If the MSB of the SUMCFG or NOMCFG is 1 the flash power-down can also be requested in normal mode or suspend mode.

A power-down request by the SCU is forwarded by the IMB Core to all flash modules. The rest of the IMB is not affected by a flash power-down. So the device can continue operation with the PSRAM. The IMB Core waits until all running processes have finished in the flash modules before it acknowledges the power-down request. If the IMB Core has received the beginning of a command sequence and is waiting for the rest when receiving the power-down request it resets its command interpreter and performs a “**Reset to Read**”. All accesses arriving after or with the power down request are ignored (read accesses return default data as defined for not-implemented memory ranges — see **Table 3-10 “IMB Error Reporting” on Page 3-69**). Accesses arriving after or with a power down request should be considered as system control failure. Either the SCU hardware or its low-level drivers must ensure that this case does not happen.

### 3.10.4 Error Reporting Summary

The [Table 3-10](#) summarizes the types of detected errors and the possible reactions.

**Table 3-10 IMB Error Reporting**

Error	Reaction
Data read from PSRAM with parity error.	If PECON.PEENPS: HW trap (see <a href="#">Section 3.12</a> ).
Instruction fetch from PSRAM with parity error.	If PECON.PEENPS: HW trap (see <a href="#">Section 3.12</a> ).
Data read from flash memory with single bit error.	Silently corrected. Bit IMB_FSR.DSBER set.
Data read from flash memory with double bit error.	Bit IMB_FSR.DDBER set. If IMB_INTCTR.DDDTRP = 0: Flash access trap (see <a href="#">Section 6.11.4</a> ) and default data is delivered.
Instruction fetch from flash memory with single bit error.	Silently corrected. Bit IMB_FSR.ISBER set.
Instruction fetch from flash memory with double bit error.	Bit IMB_FSR.IDBER set. If IMB_INTCTR.DIDTRP = 0: "TRAP 15 <sub>D</sub> " delivered instead of corrupted data.
Data read from protected flash memory.	IMB_FSR.PROER set. If IMB_INTCTR.DPROTRP = 0: Flash access trap (see <a href="#">Section 6.11.4</a> ) and default data is delivered.
Instruction fetch from protected flash memory.	"TRAP 15 <sub>D</sub> " delivered.
Program/erase request of write protected flash range.	Only bit PROER in IMB_FSR set.
Data read or instruction fetch from busy flash memory.	Read access stalled until end of busy state.
Instruction fetch from ISFR addresses.	Default data ("TRAP 15 <sub>D</sub> ") delivered.
Data read from not implemented ISFRs.	Default data delivered.
Data writes to not implemented ISFRs.	Silently ignored.
Data read from not implemented address range.	Unpredictable. Mirrored data from other memories might be returned or default values.

**Table 3-10 IMB Error Reporting (cont'd)**

Error	Reaction
Instruction fetch from not implemented address range.	Unpredictable. Mirrored data from other memories might be returned or default values.
Data written to not implemented PSRAM or write protected PSRAM address range (both determined by IMB_IMBCTR.PSPROT).	Bit IMB_INTCTR.PSER set. Flash access trap (see <a href="#">Section 6.11.4</a> ) and no data is changed in the PSRAM.
Program or erase command targeting not implemented flash memory.	Unpredictable. Access is ignored or mirrored into implemented flash memory <sup>1)</sup> .
Data read from powered-down flash modules.	Considered as access to not-implemented memory range. Default data or data from implemented flash modules will be returned.
Instruction fetch from powered-down flash modules.	Considered as access to not-implemented memory range. Default data (“TRAP 15 <sub>D</sub> ”) will be returned or data from implemented flash modules.
Program or erase command targeting powered-down flash modules.	Silently ignored.
Shutdown or power-down request received while the command sequence interpreter is waiting for the last words of a command sequence.	The command interpreter is reset and a “ <a href="#">Reset to Read</a> ” command sequence is executed.

<sup>1)</sup> The flash protection can not be by-passed by accessing the reserved memory ranges.

### 3.11 Data Retention Memories

This section describes the usage of the two special purpose data memories Stand-By RAM (SBRAM) and Marker Memory (MKMEM). Both are supplied by the wake-up power domain (DMP\_M) and retain their data while the system power domain (DMP\_1) is switched off.

### 3.11.1 Stand-By RAM Accesses

The SBRAM is not mapped into the address range of the processor. All accesses are done via the 4 SFRs SBRAM\_WADD, SBRAM\_RADD, SBRAM\_DATA0 and SBRAM\_DATA1. The following access options exist:

- Write without automatic increment of the write address pointer:  
The SW has to write the target address first to WADD and then the data to DATA0. The data written to DATA0 is transferred to the indicated address in the SBRAM if (at least) the lower byte of DATA0 is written. If DATA0 is written again the same address in SBRAM is used for data storage. Bit WADD.MOD is cleared by a write access to DATA0.
- Write with automatic increment of the write address pointer:  
The SW has to write the first target address to WADD and thereafter the data block can be written word by word to DATA1. The data written to DATA1 is transferred to the indicated address in the SBRAM if (at least) the lower byte of SRDR1 is written. In parallel to the data storage in the SBRAM, the write address pointer WADD.WPTR is automatically incremented by 1 (one word) for the next data to be stored. The address pointer automatically does a wrap-around after reaching its maximum value and in this case, bit WADD.WA is set. Bit WADD.MOD is set by a write access to DATA1.
- Read without automatic increment of the read address pointer:  
The SW has to write the target address first to RADD and then can read the data from DATA0. If DATA0 is read again the same address in SBRAM is read out. Bit RADD.MOD is cleared by a read access to DATA0.
- Read with automatic increment of the read address pointer:  
The SW has to write the first target address to RADD and can then read the data block word by word from DATA1. In parallel to the read action from SBRAM, the read address pointer RADD.RPTR is automatically incremented by 1 (one word) for the next data to be read. The address pointer automatically does a wrap-around after reaching its maximum value and in this case, bit RADD.WA is set. Bit RADD.MOD is set by a read access to DATA1.

The automatic increment accesses allow performing back-to-back data writes and reads.

*Note: Because read accesses to SBRAM\_DATA0 and SBRAM\_DATA1 return the value that has been pre-read upon the most recent update of register SBRAM\_RADD, any data written to location @SBRAM\_RADD can only be read back after SBRAM\_RADD has been updated with the very same address (either explicitly by writing to it or implicitly via the auto-increment function). Generally when switching from write to read accesses SBRAM\_RADD should be written again before reading SBRAM\_DATAx.*

### 3.11.2 Stand-By RAM Registers

This section describes the SBRAM register interface in detail.

#### 3.11.2.1 SBRAM Read Address Register

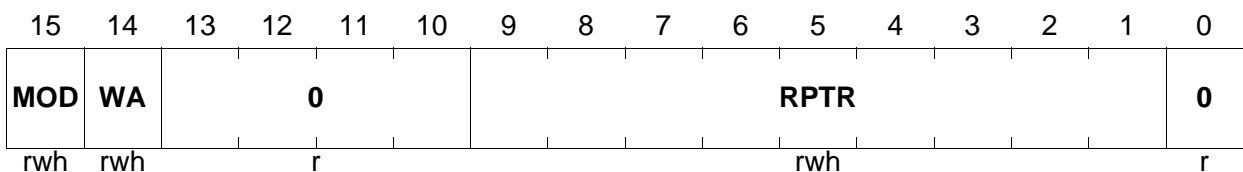
This register defines the word location to be read.

Reset by Power-On Reset.

#### SBRAM\_RADD

#### SBRAM Read Address Register SFR (FEDC<sub>H</sub>/6E<sub>H</sub>)

Reset Value: 0000<sub>H</sub>



Field	Bits	Type	Description
<b>RPTR</b>	[9:1]	rwh	<b>Read Pointer</b> Selects the word address to be read from the SBRAM. It is automatically incremented by 1 (i.e. to the next word) when register DATA1 is read.
<b>WA</b>	14	rwh	<b>Wrap Around</b> This bit indicates if a wrap-around of the read pointer RPTR occurred due to the automatic address increment. 0 An address wrap-around has not occurred. 1 An address wrap-around has been detected. It has to be cleared by SW.
<b>MOD</b>	15	rwh	<b>Modification</b> This bit indicates whether the last read access to SBRAM data lead to an automatic increment of RPTR. 0 The last data read access was done to DATA0 and RPTR was not modified automatically. 1 The last data read access was done to DATA1 and RPTR was automatically incremented by 1.
<b>0</b>	0, [13:10]	r	<b>Reserved</b> Read as 0; should be written with 0.

### 3.11.2.2 SBRAM Write Address Register

This register defines the word location to be written.

Reset by Power-On Reset.

#### SBRAM\_WADD

**SBRAM Write Address Register SFR (FEDE<sub>H</sub>/6F<sub>H</sub>)**

**Reset Value: 0000<sub>H</sub>**

15	14	13	12	11	10	9	8	7	6	5	4	3	2	1	0
<b>MOD</b>	<b>WA</b>	<b>0</b>				<b>WPTR</b>									<b>0</b>
rwh	rwh	r				rwh									r

Field	Bits	Type	Description
<b>WPTR</b>	[9:1]	rwh	<b>Write Pointer</b> Selects the write word address within the SBRAM. It is automatically incremented by 1 if register DATA1 is written.
<b>WA</b>	14	rwh	<b>Wrap-Around</b> This bit indicates if a wrap-around of the write pointer WPTR occurred due to the automatic address increment. 0 An address wrap-around has not occurred. 1 An address wrap-around has been detected. It has to be cleared by SW.
<b>MOD</b>	15	rwh	<b>Modification</b> This bit indicates whether the last write access to SBRAM data lead to an automatic increment of WPTR. 0 The last data write access was done to DATA0 and WPTR was not modified automatically. 1 The last data write access was done to DATA1 and WPTR was automatically incremented by 1.
<b>0</b>	0, [13:10]	r	<b>Reserved</b> Read as 0; should be written with 0.

### 3.11.2.3 SBRAM Data Register 0

This register delivers the read data and is the target for the write data without modification of the respective address pointer.

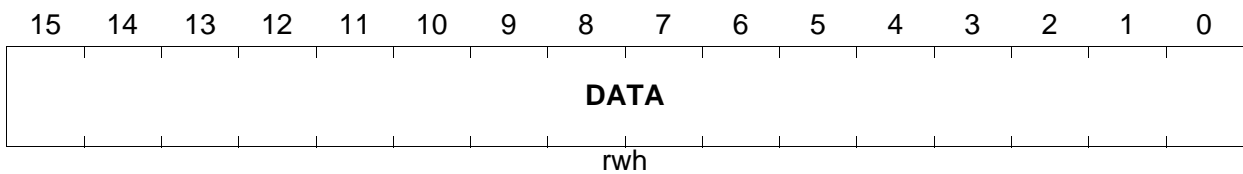
Reset by Power-On Reset.

#### SBRAM\_DATA0

**SBRAM Data Register 0**

**SFR (FEE0<sub>H</sub>/70<sub>H</sub>)**

**Reset Value: 0000<sub>H</sub>**



Field	Bits	Type	Description
<b>DATA</b>	[15:0]	rwh	<p><b>SBRAM Data</b></p> <p>This bit field contains the data read during the latest SBRAM read access and is the target for the data to be written to SBRAM.</p> <p>A read access always delivers the data stored in the SBRAM at the address indicated by the read pointer RADD.RPTR.</p> <p>A write access of (at least) the low byte leads to the storage of the written data at the address indicated by the write pointer WADD.WPTR.</p>



### 3.11.2.4 SBRAM Data Register 1

This register delivers the read data and is the target for the write data with modification of the respective pointer.

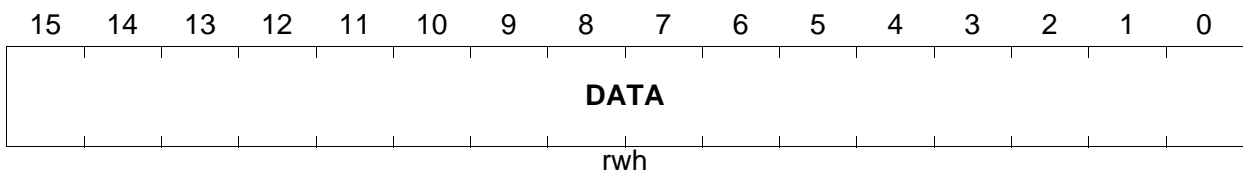
Reset by Power-On Reset.

#### SBRAM\_DATA1

**SBRAM Data Register 1**

**SFR (FEE2<sub>H</sub>/71<sub>H</sub>)**

**Reset Value: 0000<sub>H</sub>**



Field	Bits	Type	Description
<b>DATA</b>	[15:0]	rwh	<p><b>SBRAM Data</b></p> <p>This bit field contains the data read during the latest SBRAM read access and is the target for the data to be written to SBRAM.</p> <p>A write access of (at least) the low byte leads to the storage of the written data at the address indicated by the write pointer WADD.WPTR.</p> <p>A read access always delivers the data stored in the SBRAM at the address indicated by the read pointer RADD.RPTR.</p>

### 3.11.3 Marker Memory (MKMEM)

The marker memory simply consists of two SFRs located in the DMP\_M power domain for free usage of the SW.

#### 3.11.3.1 Marker Memory SFR

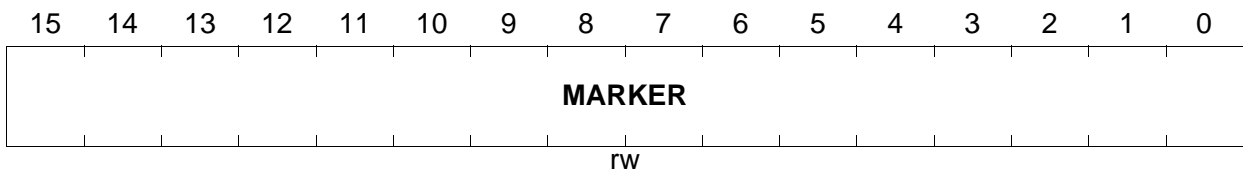
Reset by Power-On Reset.

##### MKMEM0

**Marker Memory 0 Register**      SFR (FED0<sub>H</sub>/68<sub>H</sub>)      Reset Value: 0000<sub>H</sub>

##### MKMEM1

**Marker Memory 1 Register**      SFR (FED2<sub>H</sub>/69<sub>H</sub>)      Reset Value: 0000<sub>H</sub>



Field	Bits	Type	Description
<b>MARKER</b>	[15:0]	rw	<b>Marker Content</b>

### 3.12 Memory Parity Error Handling

The on-chip RAM modules check parity information during read accesses and generate parity bits during write accesses. A parity error is noted in the register bits PECON.PEFx separately for each implemented memory.

If enabled by the register bits **PECON**.PEENx the setting of a PECON.PEFx bit can trigger a trap request. As documented in **“SCU Trap Generation” on Page 6-200** by default the requested trap is the ACER trap.

In order to handle the case that the ACER trap handler code itself incurs a parity error a reset can be triggered. If the bit **TFR**.ACER is set which indicates that the ACER trap handler code is executed a parity error trap request triggers the reset action defined by **RSTCON1**.MP.

### 3.12.1 Parity Control Registers

The register PECON controls the functional parity check mechanism.

This register is reset by a System Reset. An Application Reset clears only the enable bits PEENx but not the error flags PEFx.

#### PECON

**Parity Error Control Register    ESFR (F0C4<sub>H</sub>/41<sub>H</sub>)                    Reset Value: 0000<sub>H</sub>**

15	14	13	12	11	10	9	8	7	6	5	4	3	2	1	0
<b>PEF SB</b>	<b>PEF MC</b>	<b>PEF U2</b>	<b>PEF U1</b>	<b>PEF U0</b>	<b>PEF PS</b>	<b>PEF DS</b>	<b>PEF DP</b>	<b>PE EN SB</b>	<b>PE EN MC</b>	<b>PE EN U2</b>	<b>PE EN U1</b>	<b>PE EN U0</b>	<b>PE EN PS</b>	<b>PE EN DS</b>	<b>PE EN DP</b>
rwh	rwh	rwh	rwh	rwh	rwh	rwh	rwh	rw	rw	rw	rw	rw	rw	rw	rw

Field	Bits	Type	Description
<b>PEENDP</b>	0	rw	<b>Parity Error Trap Enable for Dual Port Memory</b> 0 No Parity trap is requested for dual port memory parity errors 1 A Parity trap is requested for dual port memory parity errors
<b>PEENDS</b>	1	rw	<b>Parity Error Trap Enable for Data SRAM</b> 0 No Parity trap is requested for data SRAM parity errors 1 A Parity trap is requested for data SRAM parity errors
<b>PEENPS</b>	2	rw	<b>Parity Error Trap Enable for Program SRAM</b> 0 No Parity trap is requested for program SRAM parity errors 1 A Parity trap is requested for program SRAM parity errors
<b>PEENU0</b>	3	rw	<b>Parity Error Trap Enable for USIC0 Memory</b> 0 No Parity trap is requested for USIC0 memory parity errors 1 A Parity trap is requested for USIC0 memory parity errors
<b>PEENU1</b>	4	rw	<b>Parity Error Trap Enable for USIC1 Memory</b> 0 No Parity trap is requested for USIC1 memory parity errors 1 A Parity trap is requested for USIC1 memory parity errors

Field	Bits	Type	Description
PEENU2	5	rw	<p><b>Parity Error Trap Enable for USIC2 Memory</b></p> <p>0 No Parity trap is requested for USIC2 memory parity errors</p> <p>1 A Parity trap is requested for USIC2 memory parity errors</p>
PEENMC	6	rw	<p><b>Parity Error Trap Enable for MultiCAN Memory</b></p> <p>0 No Parity trap is requested for MultiCAN memory parity errors</p> <p>1 A Parity trap is requested for MultiCAN memory parity errors</p>
PEENSB	7	rw	<p><b>Parity Error Trap Enable for Standby Memory</b></p> <p>0 No Parity trap is requested for Standby memory parity errors</p> <p>1 A Parity trap is requested for Standby memory parity errors</p>
PEFDP	8	rwh	<p><b>Parity Error Flag for Dual Port Memory</b></p> <p>0 No Parity errors have been detected for dual port memory</p> <p>1 A Parity error is indicated and can trigger a trap request trigger, if enabled for dual port memory</p> <p>The bit is only set by the enabled parity error from the dual port memory. This bit can only be cleared via SW.</p> <p>Writing a zero to this bit does not change the content. Writing a one to this bit does clear the bit.</p>
PEFDS	9	rwh	<p><b>Parity Error Flag for Data SRAM</b></p> <p>0 No Parity errors have been detected for data SRAM</p> <p>1 A Parity error is indicated and can trigger a trap request trigger, if enabled for data SRAM</p> <p>The bit is only set by the enabled parity error from the data SRAM. This bit can only be cleared via SW.</p> <p>Writing a zero to this bit does not change the content. Writing a one to this bit does clear the bit.</p>

Field	Bits	Type	Description
<b>PEFPS</b>	10	rwh	<p><b>Parity Error Flag for Program SRAM</b></p> <p>0 No Parity errors have been detected for program SRAM</p> <p>1 A Parity error is indicated and can trigger a trap request trigger, if enabled for program SRAM</p> <p>The bit is only set by the enabled parity error from the program SRAM. This bit can only be cleared via SW. Writing a zero to this bit does not change the content. Writing a one to this bit does clear the bit.</p>
<b>PEFU0</b>	11	rwh	<p><b>Parity Error Flag for USIC0 Memory</b></p> <p>0 No Parity errors have been detected for USIC0 memory</p> <p>1 A Parity error is indicated and can trigger a trap request trigger, if enabled for USIC0 memory</p> <p>The bit is only set by the enabled parity error from the USIC0 memory. This bit can only be cleared via SW. Writing a zero to this bit does not change the content. Writing a one to this bit does clear the bit.</p>
<b>PEFU1</b>	12	rwh	<p><b>Parity Error Flag for USIC1 Memory</b></p> <p>0 No Parity errors have been detected for USIC1 memory</p> <p>1 A Parity error is indicated and can trigger a trap request trigger, if enabled for USIC1 memory</p> <p>The bit is only set by the enabled parity error from the USIC1 memory. This bit can only be cleared via SW. Writing a zero to this bit does not change the content. Writing a one to this bit does clear the bit.</p>
<b>PEFU2</b>	13	rwh	<p><b>Parity Error Flag for USIC2 Memory</b></p> <p>0 No Parity errors have been detected for USIC2 memory</p> <p>1 A Parity error is indicated and can trigger a trap request trigger, if enabled for USIC2 memory</p> <p>The bit is only set by the enabled parity error from the USIC2 memory. This bit can only be cleared via SW. Writing a zero to this bit does not change the content. Writing a one to this bit does clear the bit.</p>

Field	Bits	Type	Description
<b>PEFMC</b>	14	rwh	<p><b>Parity Error Flag for MultiCAN Memory</b></p> <p>0 No Parity errors have been detected for MultiCAN memory</p> <p>1 A Parity error is indicated and can trigger a trap request trigger, if enabled for MultiCAN memory</p> <p>The bit is only set by the enabled parity error from the MultiCAN memory. This bit can only be cleared via SW.</p> <p>Writing a zero to this bit does not change the content. Writing a one to this bit does clear the bit.</p>
<b>PEFSB</b>	15	rwh	<p><b>Parity Error Flag for Standby Memory</b></p> <p>0 No Parity errors have been detected for Standby memory</p> <p>1 A Parity error is indicated and can trigger a trap request trigger, if enabled for Standby memory</p> <p>The bit is only set by the enabled parity error from the Standby memory. This bit can only be cleared via SW.</p> <p>Writing a zero to this bit does not change the content. Writing a one to this bit does clear the bit.</p>



Preliminary

**XC2000 Derivatives  
System Units (Vol. 1 of 2)**

---

**Memory Organization**



## 4 Central Processing Unit (CPU)

Basic tasks of the Central Processing Unit (CPU) are to fetch and decode instructions, to supply operands for the Arithmetic and Logic unit (ALU) and the Multiply and Accumulate unit (MAC), to perform operations on these operands in the ALU and MAC, and to store the previously calculated results. As the CPU is the main engine of the XC2000 microcontroller, it is also affected by certain actions of the peripheral subsystem.

Because a five-stage processing pipeline (plus 2-stage fetch pipeline) is implemented in the XC2000, up to five instructions can be processed in parallel. Most instructions of the XC2000 are executed in one single clock cycle due to this parallelism.

This chapter describes how the pipeline works for sequential and branch instructions in general, and the hardware provisions which have been made to speed up execution of jump instructions in particular. General instruction timing is described, including standard timing, as well as exceptions.

While internal memory accesses are normally performed by the CPU itself, external peripheral or memory accesses are performed by a particular on-chip External Bus Controller (EBC) which is invoked automatically by the CPU whenever a code or data address refers to the external address space.

Whenever possible, the CPU continues operating while an external memory access is in progress. If external data are required but are not yet available, or if a new external memory access is requested by the CPU before a previous access has been completed, the CPU will be held by the EBC until the request can be satisfied. The EBC is described in a separate chapter.

The on-chip peripheral units of the XC2000 work nearly independently of the CPU with a separate clock generator. Data and control information are interchanged between the CPU and these peripherals via Special Function Registers (SFRs).

Whenever peripherals need a non-deterministic CPU action, an on-chip Interrupt Controller compares all pending peripheral service requests against each other and prioritizes one of them. If the priority of the current CPU operation is lower than the priority of the selected peripheral request, an interrupt will occur.

There are two basic types of interrupt processing:

- **Standard interrupt processing** forces the CPU to save the current program status and return address on the stack before branching to the interrupt vector jump table.
- **PEC interrupt processing** steals only one machine cycle from the current CPU activity to perform a single data transfer via the on-chip Peripheral Event Controller (PEC).

System errors detected during program execution (hardware traps) and external non-maskable interrupts are also processed as standard interrupts with a very high priority.

### Preliminary

### Central Processing Unit (CPU)

In contrast to other on-chip peripherals, there is a closer conjunction between the watchdog timer and the CPU. If enabled, the watchdog timer expects to be serviced by the CPU within a programmable period of time, otherwise it will reset the chip. Thus, the watchdog timer is able to prevent the CPU from going astray when executing erroneous code. After reset, the watchdog timer starts counting automatically but, it can be disabled via software, if desired.

In addition to its normal operation state, the CPU has the following particular states:

- **Reset state:** Any reset (application or power) forces the CPU into a predefined active state.
- **Idle state:** The clock signal to the CPU itself is switched off, while the clocks for the on-chip peripherals may keep running.

Transition to an active CPU state is forced by an interrupt (if in IDLE or SLEEP mode) or by a reset (if in POWER DOWN mode).

The IDLE, SLEEP, POWER DOWN, and RESET states can be entered by specific XC2000 system control instructions.

A set of Special Function Registers is dedicated to the CPU core (CSFRs):

- CPU Status Indication and Control: **PSW, CPUCON1, CPUCON2**
- Code Access Control: **IP, CSP**
- Data Paging Control: **DPP0, DPP1, DPP2, DPP3**
- Global GPRs Access Control: **CP**
- System Stack Access Control: **SP, SPSEG, STKUN, STKOV**
- Multiply and Divide Support: **MDL, MDH, MDC**
- Indirect Addressing Offset: **QR0, QR1, QX0, QX1**
- MAC Address Pointers: **IDX0, IDX1**
- MAC Status Indication and Control: **MCW, MSW, MAH, MAL, MRW**
- ALU Constants Support: **ZEROS, ONES**

The CPU also uses CSFRs to access the General Purpose Registers (GPRs). Since all CSFRs can be controlled by any instruction capable of addressing the SFR/CSFR memory space, there is no need for special system control instructions.

However, to ensure proper processor operation, certain restrictions on the user access to some CSFRs must be imposed. For example, the instruction pointer (CSP, IP) cannot be accessed directly at all. These registers can only be changed indirectly via branch instructions. Registers PSW, SP, and MDC can be modified not only explicitly by the programmer, but also implicitly by the CPU during normal instruction processing.

*Note: Note that any explicit write request (via software) to an CSFR supersedes a simultaneous modification by hardware of the same register.*

**Preliminary**

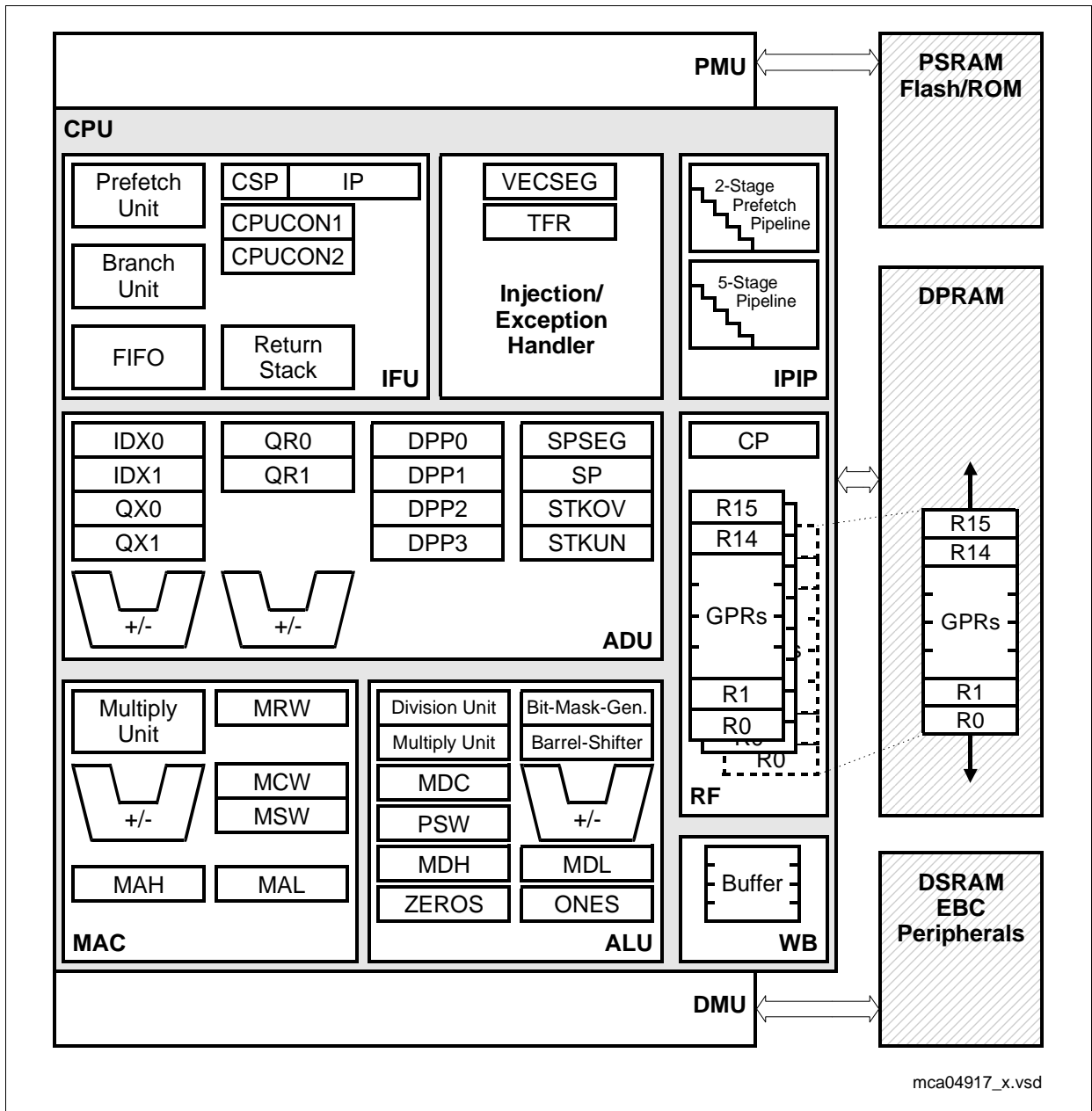
**Central Processing Unit (CPU)**

All CSFRs may be accessed wordwise, or bytewise (some of them even bitwise). Reading bytes from word CSFRs is a non-critical operation. Any write operation to a single byte of a CSFR clears the non-addressed complementary byte within the specified CSFR.

***Attention: Reserved CSFR bits must not be modified explicitly, and will always supply a read value of 0. If a byte/word access is preferred by the programmer or is the only possible access the reserved CSFR bits must be written with 0 to provide compatibility with future versions.***

### 4.1 Components of the CPU

The high performance of the CPU results from the cooperation of several units which are optimized for their respective tasks (see **Figure 4-1**). **Prefetch Unit** and **Branch Unit** feed the pipeline minimizing CPU stalls due to instruction reads. The **Address Unit** supports sophisticated addressing modes avoiding additional instructions needed otherwise. **Arithmetic and Logic Unit** and **Multiply and Accumulate Unit** handle differently sized data and execute complex operations. **Three memory interfaces** and **Write Buffer** minimize CPU stalls due to data transfers.



mca04917\_x.vsd

Figure 4-1 CPU Block Diagram

In general the instructions move through 7 pipeline stages, where each stage processes its individual task (see [Section 4.3](#) for a summary):

- the 2-stage fetch pipeline prefetches instructions from program memory and stores them into an instruction FIFO
- the 5-stage processing pipeline executes each instruction stored in the instruction FIFO

Because passing through one pipeline stage takes at least one clock cycle, any isolated instruction takes at least five clock cycles to be completed. Pipelining, however, allows parallel (i.e. simultaneous) processing of up to five instructions (with branches up to six instructions). Therefore, most of the instructions appear to be processed during one clock cycle as soon as the pipeline has been filled once after reset.

The pipelining increases the average instruction throughput considered over a certain period of time.

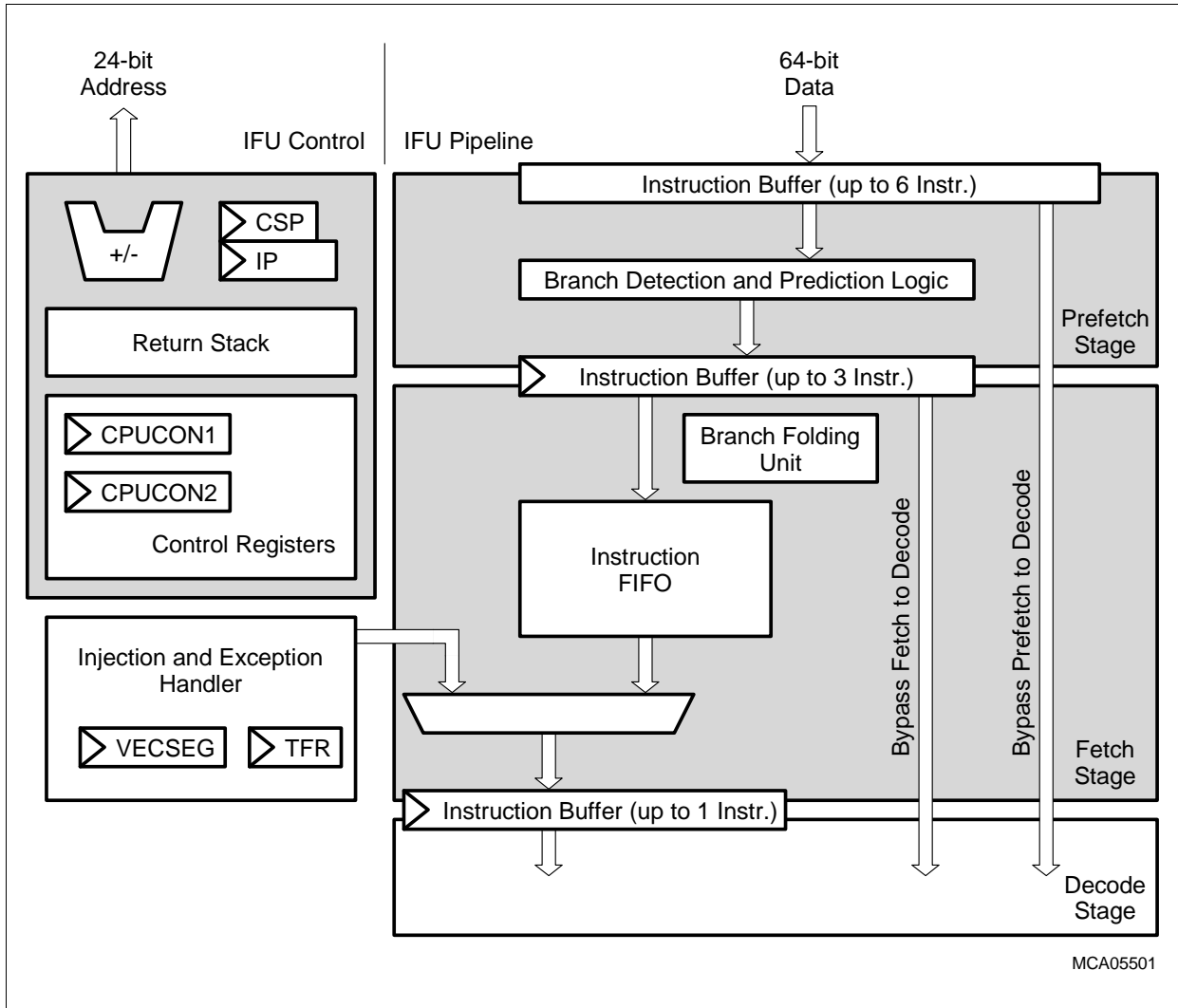
## **4.2 Instruction Fetch and Program Flow Control**

The Instruction Fetch Unit (IFU) prefetches and preprocesses instructions to provide a continuous instruction flow. The IFU can fetch simultaneously at least two instructions via a 64-bit wide bus from the Program Management Unit (PMU). The prefetched instructions are stored in an instruction FIFO.

Preprocessing of branch instructions enables the instruction flow to be predicted. While the CPU is in the process of executing an instruction fetched from the FIFO, the prefetcher of the IFU starts to fetch a new instruction at a predicted target address from the PMU. The latency time of this access is hidden by the execution of the instructions which have already been buffered in the FIFO. Even for a non-sequential instruction execution, the IFU can generally provide a continuous instruction flow. The IFU contains two pipeline stages: the Prefetch Stage and the Fetch Stage.

During the prefetch stage, the Branch Detection and Prediction Logic analyzes up to three prefetched instructions stored in the first Instruction Buffer (can hold up to six instructions). If a branch is detected, then the IFU starts to fetch the next instructions from the PMU according to the prediction rules. After having been analyzed, up to three instructions are stored in the second Instruction Buffer (can hold up to three instructions) which is the input register of the Fetch Stage.

In the case of an incorrectly predicted instruction flow, the instruction fetch pipeline is bypassed to reduce the number of dead cycles.



**Figure 4-2 IFU Block Diagram**

On the Fetch Stage, the prefetched instructions are stored in the instruction FIFO. The Branch Folding Unit (BFU) allows processing of branch instructions in parallel with preceding instructions. To achieve this the BFU preprocesses and reformats the branch instruction. First, the BFU defines (calculates) the absolute target address. This address — after being combined with branch condition and branch attribute bits — is stored in the same FIFO step as the preceding instruction. The target address is also used to prefetch the next instructions.

For the Processing Pipeline, both instructions are fetched from the FIFO again and are executed in parallel. If the instruction flow was predicted incorrectly (or FIFO is empty), the two stages of the IFU can be bypassed.

*Note: Pipeline behavior in case of a incorrectly predicted instruction flow is described in the following sections.*

### 4.2.1 Branch Detection and Branch Prediction Rules

The Branch Detection Unit preprocesses instructions and classifies detected branches. Depending on the branch class, the Branch Prediction Unit predicts the program flow using the following rules:

**Table 4-1 Branch Classes and Prediction Rules**

Branch Instruction Classes	Instructions	Prediction Rule (Assumption)
Inter-segment branch instructions	JMPS seg, caddr CALLS seg, caddr	The branch is always taken
Branch instructions with user programmable branch prediction	JMPA- xcc, caddr JMPA+ xcc, caddr CALLA- xcc, caddr CALLA+ xcc, caddr	User-specified <sup>1)</sup> via bit 8 ('a') of the instruction long word: ...+: branch 'taken' (a = 0) ...-: branch 'not taken' (a = 1)
Indirect branch instructions	JMPI cc, [Rw] CALLI cc, [Rw]	Unconditional: branch 'taken' Conditional: 'not taken'
Relative branch instructions with condition code	JMPR cc, rel	Unconditional or backward: branch 'taken' Conditional forward: 'not taken'
Relative branch instructions without condition code	CALLR rel	The branch is always taken
Branch instructions with bit-condition	JB(C) bitaddr, rel JNB(S) bitaddr, rel	Backward: branch 'taken' Forward: 'not taken'
Return instructions	RET, RETP RETS, RETI	The branch is always taken

1) This bit can be also set/cleared automatically by the Assembler for generic JMPA and CALLA instructions depending on the jump condition (condition is cc\_Z: 'not taken', otherwise: 'taken').

### 4.2.2 Correctly Predicted Instruction Flow

**Table 4-2** shows the continuous execution of instructions, assuming a 0-waitstate program memory. In this example, most of the instructions are executed in one CPU cycle while instruction  $I_{n+6}$  takes two CPU cycles (general example for multicycle instructions). The diagram shows the sequential instruction flow through the different pipeline stages. **Figure 4-3** shows the corresponding program memory section.

The instructions for the processing pipeline are fetched from the Instruction FIFO while the IFU prefetches the next instructions to fill the FIFO. As long as the instruction flow is correctly predicted by the IFU, both processes are independent.

In this example with a fast Internal Program Memory, the Prefetcher is able to fetch more instructions than the processing pipeline can execute. In  $T_{n+4}$ , the FIFO and prefetch buffer are filled and no further instructions can be prefetched. The PMU address stays

**Preliminary**

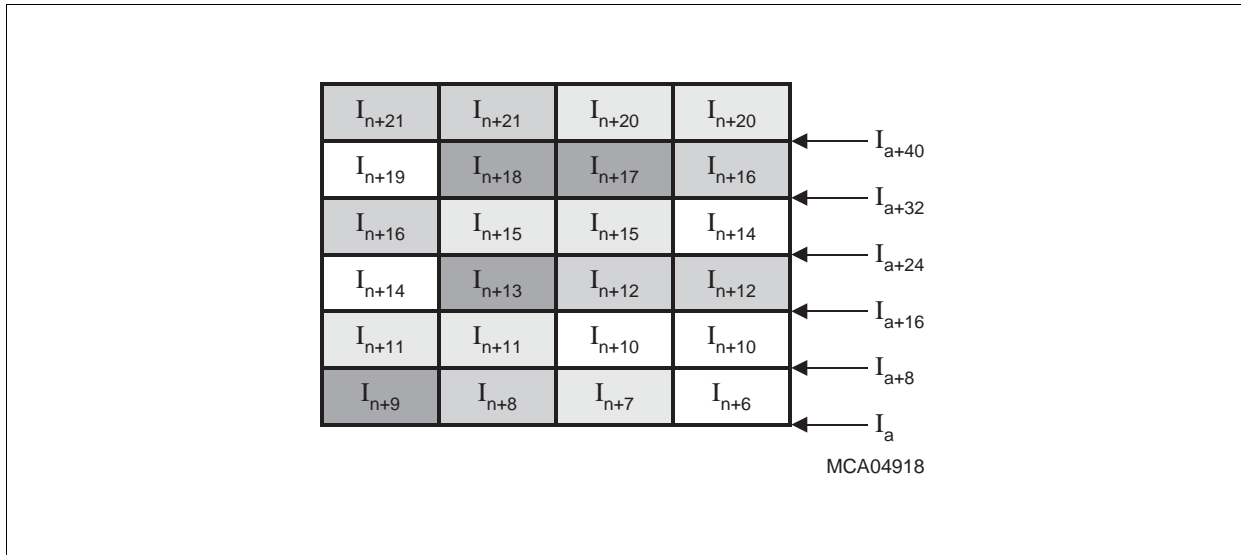
**Central Processing Unit (CPU)**

stable ( $T_{n+4}$ ) until a whole 64-bit double word can be buffered ( $T_{n+7}$ ) in the 96-bit prefetch buffer again.

**Table 4-2 Correctly Predicted Instruction Flow (Sequential Execution)**

	$T_n$	$T_{n+1}$	$T_{n+2}$	$T_{n+3}$	$T_{n+4}$	$T_{n+5}$	$T_{n+6}$	$T_{n+7}$	$T_{n+8}$
PMU Address	$I_{a+16}$	$I_{a+24}$	$I_{a+32}$	$I_{a+40}$	$I_{a+40}$	$I_{a+40}$	$I_{a+40}$	$I_{a+48}$	$I_{a+48}$
PMU Data 64bit	$I_{d+1}$	$I_{d+2}$	$I_{d+3}$	$I_{d+4}$	$I_{d+5}$	$I_{d+5}$	$I_{d+5}$	$I_{d+5}$	$I_{d+7}$
<b>PREFETCH</b> 96-bit Buffer	$I_{n+6}$ ... $I_{n+9}$	$I_{n+9}$ ... $I_{n+11}$	$I_{n+12}$ $I_{n+13}$	$I_{n+14}$ $I_{n+15}$	$I_{n+15}$ ... $I_{n+19}$	$I_{n+15}$ ... $I_{n+19}$	$I_{n+16}$ ... $I_{n+19}$	$I_{n+17}$ ... $I_{n+19}$	$I_{n+18}$ ... $I_{n+21}$
<b>FETCH</b> Instruction Buffer	$I_{n+5}$	$I_{n+6}$ $I_{n+7}$ $I_{n+8}$	$I_{n+9}$ $I_{n+10}$ $I_{n+11}$	$I_{n+12}$ $I_{n+13}$	$I_{n+14}$	—	$I_{n+15}$	$I_{n+16}$	$I_{n+17}$
FIFO contents	$I_{n+3}$ ... $I_{n+5}$	$I_{n+4}$ ... $I_{n+8}$	$I_{n+5}$ ... $I_{n+11}$	$I_{n+6}$ ... $I_{n+13}$	$I_{n+7}$ ... $I_{n+14}$	$I_{n+7}$ ... $I_{n+14}$	$I_{n+8}$ ... $I_{n+15}$	$I_{n+9}$ ... $I_{n+16}$	$I_{n+10}$ ... $I_{n+17}$
Fetch from FIFO	$I_{n+4}$	$I_{n+5}$	$I_{n+6}$	$I_{n+7}$	$I_{n+7}$	$I_{n+8}$	$I_{n+9}$	$I_{n+10}$	$I_{n+11}$
<b>DECODE</b>	$I_{n+3}$	$I_{n+4}$	$I_{n+5}$	$I_{n+6}$	$I_{n+6}$	$I_{n+7}$	$I_{n+8}$	$I_{n+9}$	$I_{n+10}$
<b>ADDRESS</b>	$I_{n+2}$	$I_{n+3}$	$I_{n+4}$	$I_{n+5}$	$I_{n+6}$	$I_{n+6}$	$I_{n+7}$	$I_{n+8}$	$I_{n+9}$
<b>MEMORY</b>	$I_{n+1}$	$I_{n+2}$	$I_{n+3}$	$I_{n+4}$	$I_{n+5}$	$I_{n+6}$	$I_{n+6}$	$I_{n+7}$	$I_{n+8}$
<b>EXECUTE</b>	$I_n$	$I_{n+1}$	$I_{n+2}$	$I_{n+3}$	$I_{n+4}$	$I_{n+5}$	$I_{n+6}$	$I_{n+6}$	$I_{n+7}$
<b>WRITE BACK</b>	—	$I_n$	$I_{n+1}$	$I_{n+2}$	$I_{n+3}$	$I_{n+4}$	$I_{n+5}$	$I_{n+6}$	$I_{n+6}$





**Figure 4-3 Program Memory Section for Correctly Predicted Flow**

### 4.2.3 Incorrectly Predicted Instruction Flow

If the CPU detects that the IFU made an incorrect prediction of the instruction flow, then the pipeline stages and the Instruction FIFO containing the wrong prefetched instructions are canceled. The entire instruction fetch is restarted at the correct point of the program.

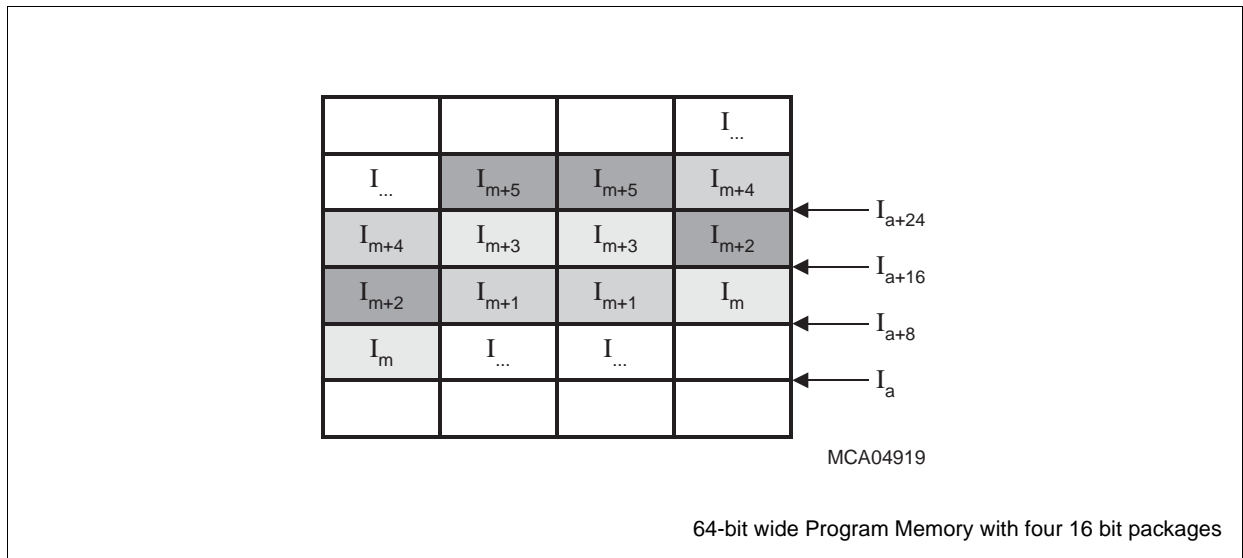
**Table 4-3** shows the restarted execution of instructions, assuming a 0-waitstate program memory. **Figure 4-4** shows the corresponding program memory section.

During the cycle  $T_n$ , the CPU detects an incorrectly prediction case which leads to a canceling of the pipeline. The new address is transferred to the PMU in  $T_{n+1}$  which delivers the first data in the next cycle  $T_{n+2}$ . But, the target instruction crosses the 64-bit memory boundary and a second fetch in  $T_{n+3}$  is required to get the entire 32-bit instruction. In  $T_{n+4}$ , the Prefetch Buffer contains two 32-bit instructions while the first instruction  $I_m$  is directly forwarded to the Decode stage.

The prefetcher is now restarted and prefetches further instructions. In  $T_{n+5}$ , the instruction  $I_{m+1}$  is forwarded from the Fetch Instruction Buffer directly to the Decode stage as well. The Fetch row shows all instructions in the Fetch Instruction Buffer and the instructions fetched from the Instruction FIFO. The instruction  $I_{m+3}$  is the first instruction fetched from the FIFO during  $T_{n+6}$ . During the same cycle, instruction  $I_{m+2}$  was still forwarded from the Fetch Instruction Buffer to the Decode stage.

**Table 4-3 Incorrectly Predicted Instruction Flow (Restarted Execution)**

	$T_n$	$T_{n+1}$	$T_{n+2}$	$T_{n+3}$	$T_{n+4}$	$T_{n+5}$	$T_{n+6}$	$T_{n+7}$	$T_{n+8}$
PMU Address	$I_{...}$	$I_a$	$I_{a+8}$	$I_{a+16}$	$I_{a+24}$	$I_{...}$	$I_{...}$	$I_{...}$	$I_{...}$
PMU Data 64bit	$I_{...}$	—	$I_d$	$I_{d+1}$	$I_{d+2}$	$I_{d+3}$	$I_{...}$	$I_{...}$	$I_{...}$
PREFETCH 96-bit Buffer	$I_{...}$	—	—	—	$I_m$ $I_{m+1}$	$I_{m+2}$ $I_{m+3}$	$I_{m+4}$ $I_{m+5}$	$I_{...}$	$I_{...}$
FETCH Instruction Buffer	$I_{next+2}$	—	—	—	—	$I_{m+1}$	$I_{m+2}$ $I_{m+3}$	$I_{m+4}$ $I_{m+5}$	$I_{...}$
Fetch from FIFO	—	—	—	—	—	—	$I_{m+3}$	$I_{m+4}$	$I_{m+5}$
DECODE ADDRESS	$I_{next+1}$	—	—	—	$I_m$	$I_{m+1}$	$I_{m+2}$	$I_{m+3}$	$I_{m+4}$
MEMORY	$I_{next}$	—	—	—	—	$I_m$	$I_{m+1}$	$I_{m+2}$	$I_{m+3}$
EXECUTE	$I_{branch}$	—	—	—	—	—	$I_m$	$I_{m+1}$	$I_{m+2}$
WRITE BACK	$I_n$	$I_{branch}$	—	—	—	—	—	$I_m$	$I_{m+1}$
	—	$I_n$	$I_{branch}$	—	—	—	—	—	$I_m$



**Figure 4-4 Program Memory Section for Incorrectly Predicted Flow**

### 4.3 Instruction Processing Pipeline

The XC2000 uses five pipeline stages to execute an instruction. All instructions pass through each of the five stages of the instruction processing pipeline. The pipeline stages are listed here together with the 2 stages of the fetch pipeline:

**1st -> PREFETCH:** This stage prefetches instructions from the PMU in the predicted order. The instructions are preprocessed in the branch detection unit to detect branches. The prediction logic decides if the branches are assumed to be taken or not.

**2nd -> FETCH:** The instruction pointer of the next instruction to be fetched is calculated according to the branch prediction rules. For zero-cycle branch execution, the Branch Folding Unit preprocesses and combines detected branches with the preceding instructions. Prefetched instructions are stored in the instruction FIFO. At the same time, instructions are transported out of the instruction FIFO to be executed in the instruction processing pipeline.

**3rd -> DECODE:** The instructions are decoded and, if required, the register file is accessed to read the GPR used in indirect addressing modes.

**4th -> ADDRESS:** All the operand addresses are calculated. Register SP is decremented or incremented for all instructions which implicitly access the system stack.

**5th -> MEMORY:** All the required operands are fetched.

**6th -> EXECUTE:** An ALU or MAC-Unit operation is performed on the previously fetched operands. The condition flags are updated. All explicit write operations to CPU-SFRs and all auto-increment/auto-decrement operations of GPRs used as indirect address pointers are performed.

**7th -> WRITE BACK:** All external operands and the remaining operands within the internal DPRAM space are written back. Operands located in the internal SRAM are buffered in the Write Back Buffer.

Specific so-called injected instructions are generated internally to provide the time needed to process instructions requiring more than one CPU cycle for processing. They are automatically injected into the decode stage of the pipeline, then they pass through the remaining stages like every standard instruction. Program interrupt, PEC transfer, and OCE operations are also performed by means of injected instructions. Although these internally injected instructions will not be noticed in reality, they help to explain the operation of the pipeline.

The performance of the CPU (pipeline) is decreased by bandwidth limitations (same resource is accessed by different stages) and data dependencies between instructions. The XC2000's CPU has dedicated hardware to detect and to resolve different kinds of dependencies. Some of those dependencies are described in the following section.

Because up to five different instructions are processed simultaneously, additional hardware has been dedicated to deal with dependencies which may exist between instructions in different pipeline stages. This extra hardware supports 'forwarding' of the operand read and write values and resolves most of the possible conflicts — such as

multiple usage of buses — in a time optimized way without performance loss. This makes the pipeline unnoticeable for the user in most cases. However, there are some rare cases in which the pipeline requires attention by the programmer. In these cases, the delays caused by the pipeline conflicts can be used for other instructions to optimize performance.

*Note: The XC2000 has a fully interlocked pipeline, which means that these conflicts do not cause any malfunction. Instruction re-ordering is only required for performance reasons.*

The following examples describe the pipeline behavior in special cases and give principle rules to improve the performance by re-ordering the execution of instructions.

### 4.3.1 Pipeline Conflicts Using General Purpose Registers

The GPRs are the working registers of the CPU and there are a lot of possible dependencies between instructions using GPRs. A high-speed five-port register file prevents bandwidth conflicts. Dedicated hardware is implemented to detect and resolve the data dependencies. Special forwarding busses are used to forward GPR values from one pipeline stage to another. In most cases, this allows the execution of instructions without any delay despite of data dependencies.

Conflict\_GPRs\_Resolved:

```

In      ADD R0,R1      ;Compute new value for R0
In+1    ADD R3,R0      ;Use R0 again
In+2    ADD R6,R0      ;Use R0 again
In+3    ADD R6,R1      ;Use R6 again
In+4    ...

```

**Table 4-4 Resolved Pipeline Dependencies Using GPRs**

Stage	T <sub>n</sub>	T <sub>n+1</sub>	T <sub>n+2</sub>	T <sub>n+3</sub> <sup>1)</sup>	T <sub>n+4</sub> <sup>2)</sup>	T <sub>n+5</sub> <sup>3)</sup>
<b>DECODE</b>	I <sub>n</sub> = ADD R0, R1	I <sub>n+1</sub> = ADD R3, R0	I <sub>n+2</sub> = ADD R6, R0	I <sub>n+3</sub> = ADD R6, R1	I <sub>n+4</sub>	I <sub>n+5</sub>
<b>ADDRESS</b>	I <sub>n-1</sub>	I <sub>n</sub> = ADD R0, R1	I <sub>n+1</sub> = ADD R3, R0	I <sub>n+2</sub> = ADD R6, R0	I <sub>n+3</sub> = ADD R6, R1	I <sub>n+4</sub>
<b>MEMORY</b>	I <sub>n-2</sub>	I <sub>n-1</sub>	I <sub>n</sub> = ADD R0, R1	I <sub>n+1</sub> = ADD R3, <b>R0</b>	I <sub>n+2</sub> = ADD R6, <b>R0</b>	I <sub>n+3</sub> = ADD <b>R6</b> , R1
<b>EXECUTE</b>	I <sub>n-3</sub>	I <sub>n-2</sub>	I <sub>n-1</sub>	I <sub>n</sub> = ADD <b>R0</b> , R1	I <sub>n+1</sub> = ADD R3, R0	I <sub>n+2</sub> = ADD <b>R6</b> , R0
<b>WR.BACK</b>	I <sub>n-4</sub>	I <sub>n-3</sub>	I <sub>n-2</sub>	I <sub>n-1</sub>	I <sub>n</sub> = ADD <b>R0</b> , R1	I <sub>n+1</sub> = ADD R3, R0

- 1) R0 forwarded from EXECUTE to MEMORY.
- 2) R0 forwarded from WRITE BACK to MEMORY.
- 3) R6 forwarded from EXECUTE to MEMORY.

However, if a GPR is used for indirect addressing the address pointer (i.e. the GPR) will be required already in the DECODE stage. In this case the instruction is stalled in the address stage until the operation in the ALU is executed and the result is forwarded to the address stage.

Conflict\_GPRs\_Pointer\_Stall:

```

In      ADD R0,R1      ;Compute new value for R0
In+1    MOV R3,[R0]    ;Use R0 as address pointer
In+2    ADD R6,R0
In+3    ADD R6,R1
In+4    ...
  
```

**Table 4-5 Pipeline Dependencies Using GPRs as Pointers (Stall)**

Stage	T <sub>n</sub>	T <sub>n+1</sub>	T <sub>n+2</sub> <sup>1)</sup>	T <sub>n+3</sub> <sup>2)</sup>	T <sub>n+4</sub>	T <sub>n+5</sub>
<b>DECODE</b>	I <sub>n</sub> = ADD R0, R1	I <sub>n+1</sub> = MOV R3, [R0]	I <sub>n+2</sub>	I <sub>n+2</sub>	I <sub>n+2</sub>	I <sub>n+3</sub>
<b>ADDRESS</b>	I <sub>n-1</sub>	I <sub>n</sub> = ADD R0, R1	I <sub>n+1</sub> = MOV R3, [R0]	I <sub>n+1</sub> = MOV R3, [R0]	I <sub>n+1</sub> = MOV R3, [R0]	I <sub>n+2</sub>
<b>MEMORY</b>	I <sub>n-2</sub>	I <sub>n-1</sub>	I <sub>n</sub> = ADD R0, R1	–	–	I <sub>n+1</sub> = MOV R3, [R0]
<b>EXECUTE</b>	I <sub>n-3</sub>	I <sub>n-2</sub>	I <sub>n-1</sub>	I <sub>n</sub> = ADD <b>R0, R1</b>	–	–
<b>WR.BACK</b>	I <sub>n-4</sub>	I <sub>n-3</sub>	I <sub>n-2</sub>	I <sub>n-1</sub>	I <sub>n</sub> = ADD R0, R1	–

1) New value of R0 not yet available.

2) R0 forwarded from EXECUTE to ADDRESS (next cycle).

**Preliminary**

**Central Processing Unit (CPU)**

To avoid these stalls, one multicycle instruction or two single cycle instructions may be inserted. These instructions must not update the GPR used for indirect addressing.

Conflict\_GPRs\_Pointer\_NoStall:

```

In      ADD R0,R1      ;Compute new value for R0
In+1    ADD R6,R0      ;R0 is not updated, just read
In+2    ADD R6,R1
In+3    MOV R3,[R0]    ;Use R0 as address pointer
In+4    ...

```

**Table 4-6 Pipeline Dependencies Using GPRs as Pointers (No Stall)**

Stage	T <sub>n</sub>	T <sub>n+1</sub>	T <sub>n+2</sub>	T <sub>n+3</sub> <sup>1)</sup>	T <sub>n+4</sub>	T <sub>n+5</sub>
<b>DECODE</b>	I <sub>n</sub> = ADD R0, R1	I <sub>n+1</sub> = ADD R6, R0	I <sub>n+2</sub> = ADD R6, R1	I <sub>n+3</sub> = MOV R3, [R0]	I <sub>n+4</sub>	I <sub>n+5</sub>
<b>ADDRESS</b>	I <sub>n-1</sub>	I <sub>n</sub> = ADD R0, R1	I <sub>n+1</sub> = ADD R6, R0	I <sub>n+2</sub> = ADD R6, R1	I <sub>n+3</sub> = MOV R3, [R0]	I <sub>n+4</sub>
<b>MEMORY</b>	I <sub>n-2</sub>	I <sub>n-1</sub>	I <sub>n</sub> = ADD R0, R1	I <sub>n+1</sub> = ADD R6, R0	I <sub>n+2</sub> = ADD R6, R1	I <sub>n+3</sub> = MOV R3, [R0]
<b>EXECUTE</b>	I <sub>n-3</sub>	I <sub>n-2</sub>	I <sub>n-1</sub>	I <sub>n</sub> = ADD <b>R0</b> , R1	I <sub>n+1</sub> = ADD R6, R0	I <sub>n+2</sub> = ADD R6, R1
<b>WR.BACK</b>	I <sub>n-4</sub>	I <sub>n-3</sub>	I <sub>n-2</sub>	I <sub>n-1</sub>	I <sub>n</sub> = ADD R0, R1	I <sub>n+1</sub> = ADD R6, R0

1) R0 forwarded from EXECUTE to ADDRESS (next cycle).

### 4.3.2 Pipeline Conflicts Using Indirect Addressing Modes

In the case of read accesses using indirect addressing modes, the Address Generation Unit uses a speculative addressing mechanism. The read data path to one of the different memory areas (DPRAM, DSRAM, etc.) is selected according to a history table before the address is decoded. This history table has one entry for each of the GPRs. The entries store the information of the last accessed memory area using the corresponding GPR. In the case of an incorrect prediction of the memory area, the read access must be restarted.

It is recommended that the GPRs used for indirect addressing always point to the same memory area. If an updated GPR points to a different memory area, the next read operation will access the wrong memory area. The read access must be repeated, which leads to pipeline stalls.

**Preliminary**

**Central Processing Unit (CPU)**

Conflict\_GPRs\_Pointer\_WrongHistory:

```

In    ADD R3,[R0]      ;R0 points to DPRAM (e.g.)
In+1  MOV R0,R4
...
Ii    MOV DPPX, ...   ;change DPPx
...
Im    ADD R6,[R0]      ;R0 now points to SRAM (e.g.)
Im+1  MOV R6,R1
Im+2  ...

```

**Table 4-7 Pipeline Dependencies with Pointers (Valid Speculation)**

Stage	T <sub>n</sub>	T <sub>n+1</sub>	T <sub>n+2</sub>	T <sub>n+3</sub>	T <sub>n+4</sub>	T <sub>n+5</sub>
<b>DECODE</b>	I <sub>n</sub> = ADD R3, [R0]	I <sub>n+1</sub> = MOV R0, R4	I <sub>n+2</sub>	I <sub>n+3</sub>	I <sub>n+4</sub>	I <sub>n+5</sub>
<b>ADDRESS</b>	I <sub>n-1</sub>	I <sub>n</sub> = ADD R3, [R0]	I <sub>n+1</sub> = MOV R0, R4	I <sub>n+2</sub>	I <sub>n+3</sub>	I <sub>n+4</sub>
<b>MEMORY</b>	I <sub>n-2</sub>	I <sub>n-1</sub>	I <sub>n</sub> = ADD R3, [R0]	I <sub>n+1</sub> = MOV R0, R4	I <sub>n+2</sub>	I <sub>n+3</sub>
<b>EXECUTE</b>	I <sub>n-3</sub>	I <sub>n-2</sub>	I <sub>n-1</sub>	I <sub>n</sub> = ADD R3, [R0]	I <sub>n+1</sub> = MOV R0, R4	I <sub>n+2</sub>
<b>WR.BACK</b>	I <sub>n-4</sub>	I <sub>n-3</sub>	I <sub>n-2</sub>	I <sub>n-1</sub>	I <sub>n</sub> = ADD R3, [R0]	I <sub>n+1</sub> = MOV R0, R4

**Table 4-8 Pipeline Dependencies with Pointers (Invalid Speculation)**

Stage	T <sub>m</sub>	T <sub>m+1</sub>	T <sub>m+2</sub> <sup>1)</sup>	T <sub>m+3</sub>	T <sub>m+4</sub>	T <sub>m+5</sub>
<b>DECODE</b>	I <sub>m</sub> = ADD R6, [R0]	I <sub>m+1</sub> = MOV R6, R1	I <sub>m+1</sub> = MOV R6, R1	I <sub>m+2</sub>	I <sub>m+3</sub>	I <sub>m+4</sub>
<b>ADDRESS</b>	I <sub>m-1</sub>	I <sub>m</sub> = ADD R6, [R0]	I <sub>m</sub> = ADD R6, [R0]	I <sub>m+1</sub> = MOV R6, R1	I <sub>m+2</sub>	I <sub>m+3</sub>
<b>MEMORY</b>	I <sub>m-2</sub>	I <sub>m-1</sub>	–	I <sub>m</sub> = ADD R6, [R0]	I <sub>m+1</sub> = MOV R6, R1	I <sub>m+2</sub>
<b>EXECUTE</b>	I <sub>m-3</sub>	I <sub>m-2</sub>	I <sub>m-1</sub>	–	I <sub>m</sub> = ADD R6, [R0]	I <sub>m+1</sub> = MOV R6, R1
<b>WR.BACK</b>	I <sub>m-4</sub>	I <sub>m-3</sub>	I <sub>m-2</sub>	I <sub>m-1</sub>	–	I <sub>m</sub> = ADD R6, [R0]

1) Access to location [R0] must be repeated due to wrong history (target area was changed).



### **4.3.3 Pipeline Conflicts Due to Memory Bandwidth**

Memory bandwidth conflicts can occur if instructions in the pipeline access the same memory area at the same time. Special access mechanisms are implemented to minimize conflicts. The DPRAM of the CPU has two independent read/write ports; this allows parallel read and write operation without delays. Write accesses to the DSRAM can be buffered in a Write Back Buffer until read accesses are finished.

All instructions except the CoXXX instructions can read only one memory operand per cycle. A conflict between the read and one write access cannot occur because the DPRAM has two independent read/write ports. Only other pipeline stall conditions can generate a DPRAM bandwidth conflict. The DPRAM is a synchronous pipelined memory. The read access starts with the valid addresses on the address stage. The data are delivered in the Memory stage. If a memory read access is stalled in the Memory stage and the following instruction on the Address stage tries to start a memory read, the new read access must be delayed as well. But, this conflict is hidden by an already existing stall of the pipeline.

**Preliminary**

**Central Processing Unit (CPU)**

The CoXXX instructions are the only instructions able to read two memory operands per cycle. A conflict between the two read and one pending write access can occur if all three operands are located in the DPRAM area. This is especially important for performance in the case of executing a filter routine. One of the operands should be located in the DSRAM to guarantee a single-cycle execution of the CoXXX instructions.

Conflict\_DPRAM\_Bandwidth:

```

In      ADD op1, R1
In+1    ADD R6, R0
In+2    CoMAC [IDX0], [R0]
In+3    MOV R3, [R0]
In+4    ...
  
```

**Table 4-9 Pipeline Dependencies in Case of Memory Conflicts (DPRAM)**

Stage	T <sub>n</sub>	T <sub>n+1</sub>	T <sub>n+2</sub>	T <sub>n+3</sub>	T <sub>n+4</sub> <sup>1)</sup>	T <sub>n+5</sub>
<b>DECODE</b>	I <sub>n</sub> = ADD op1, R1	I <sub>n+1</sub> = ADD R6, R0	I <sub>n+2</sub> = CoMAC ...	I <sub>n+3</sub> = MOV R3, [R0]	I <sub>n+4</sub>	I <sub>n+4</sub>
<b>ADDRESS</b>	I <sub>n-1</sub>	I <sub>n</sub> = ADD op1, R1	I <sub>n+1</sub> = ADD R6, R0	I <sub>n+2</sub> = CoMAC ...	I <sub>n+3</sub> = MOV R3, [R0]	I <sub>n+3</sub> = MOV R3, [R0]
<b>MEMORY</b>	I <sub>n-2</sub>	I <sub>n-1</sub>	I <sub>n</sub> = ADD op1, R1	I <sub>n+1</sub> = ADD R6, R0	I <sub>n+2</sub> = CoMAC ...	I <sub>n+2</sub> = CoMAC ...
<b>EXECUTE</b>	I <sub>n-3</sub>	I <sub>n-2</sub>	I <sub>n-1</sub>	I <sub>n</sub> = ADD op1, R1	I <sub>n+1</sub> = ADD R6, R0	–
<b>WR.BACK</b>	I <sub>n-4</sub>	I <sub>n-3</sub>	I <sub>n-2</sub>	I <sub>n-1</sub>	I <sub>n</sub> = ADD op1, R1	I <sub>n+1</sub> = ADD R6, R0

1) COMAC instruction stalls due to memory bandwidth conflict.

**Preliminary**

**Central Processing Unit (CPU)**

The DSRAM is a single-port memory with one read/write port. To reduce the number of bandwidth conflict cases, a Write Back Buffer is implemented. It has three data entries. Only if the buffer is filled and a read access and a write access occur at the same time, must the read access be stalled while one of the buffer entries is written back.

Conflict\_DSRAM\_Bandwidth:

```

In      ADD op1, R1
In+1    ADD R6, R0
In+2    ADD R6, op2
In+3    MOV R3, R2
In+4    ...
    
```

**Table 4-10 Pipeline Dependencies in Case of Memory Conflicts (DSRAM)**

Stage	T <sub>n</sub>	T <sub>n+1</sub>	T <sub>n+2</sub>	T <sub>n+3</sub>	T <sub>n+4</sub> <sup>1)</sup>	T <sub>n+5</sub>
<b>DECODE</b>	I <sub>n</sub> = ADD op1, R1	I <sub>n+1</sub> = ADD R6, R0	I <sub>n+2</sub> = ADD R6, op2	I <sub>n+3</sub> = MOV R3, R2	I <sub>n+4</sub>	I <sub>n+4</sub>
<b>ADDRESS</b>	I <sub>n-1</sub>	I <sub>n</sub> = ADD op1, R1	I <sub>n+1</sub> = ADD R6, R0	I <sub>n+2</sub> = ADD R6, op2	I <sub>n+3</sub> = MOV R3, R2	I <sub>n+3</sub> = MOV R3, R2
<b>MEMORY</b>	I <sub>n-2</sub>	I <sub>n-1</sub>	I <sub>n</sub> = ADD op1, R1	I <sub>n+1</sub> = ADD R6, R0	I <sub>n+2</sub> = ADD R6, op2	I <sub>n+2</sub> = ADD R6, op2
<b>EXECUTE</b>	I <sub>n-3</sub>	I <sub>n-2</sub>	I <sub>n-1</sub>	I <sub>n</sub> = ADD op1, R1	I <sub>n+1</sub> = ADD R6, R0	–
<b>WR.BACK</b>	I <sub>n-4</sub>	I <sub>n-3</sub>	I <sub>n-2</sub>	I <sub>n-1</sub>	I <sub>n</sub> = ADD op1, R1	I <sub>n+1</sub> = ADD R6, R0
<b>WB.Buffer</b>	full	full	full	full	full	full

1) ADD R6, op2 instruction stalls due to memory bandwidth conflict.

#### **4.3.4 Pipeline Conflicts Caused by CPU-SFR Updates**

CPU-SFRs control the CPU functionality and behavior. Changes and updates of CSFRs influence the instruction flow in the pipeline. Therefore, special care is required to ensure that instructions in the pipeline always work with the correct CSFR values. CSFRs are updated late on the EXECUTE stage of the pipeline. Meanwhile, without conflict detection, the instructions in the DECODE, ADDRESS, and MEMORY stages would still work without updated register values. The CPU detects conflict cases and stalls the pipeline to guarantee a correct execution. For performance reasons, the CPU differentiates between different classes of CPU-SFRs. The flow of instructions through the pipeline can be improved by following the given rules used for instruction re-ordering.

There are three classes of CPU-SFRs:

- CSFRs not generating pipeline conflicts (ONES, ZEROS, MCW)
- CSFR result registers updated late in the EXECUTE stage, causing one stall cycle
- CSFRs affecting the whole CPU or the pipeline, causing canceling

#### **CSFR Result Registers**

The CSFR result registers MDH, MDL, MSW, MAH, MAL, and MRW of the ALU and MAC-Unit are updated late in the EXECUTE stage of the pipeline. If an instruction (except CoSTORE) accesses explicitly these registers in the memory stage, the value cannot be forwarded. The instruction must be stalled for one cycle on the MEMORY stage.

Conflict\_CSFR\_Update\_Stall:

```

In      MUL R0,R1
In+1    MOV R6,MDL
In+2    ADD R6,R1
In+3    MOV R3,[R0]
In+4    ...

```

**Table 4-11 Pipeline Dependencies with Result CSFRs (Stall)**

Stage	T <sub>n</sub>	T <sub>n+1</sub>	T <sub>n+2</sub>	T <sub>n+3</sub> <sup>1)</sup>	T <sub>n+4</sub>	T <sub>n+5</sub>
<b>DECODE</b>	I <sub>n</sub> = MUL R0, R1	I <sub>n+1</sub> = MOV R6, MDL	I <sub>n+2</sub> = ADD R6, R1	I <sub>n+3</sub> = MOV R3, [R0]	I <sub>n+3</sub> = MOV R3, [R0]	I <sub>n+4</sub>
<b>ADDRESS</b>	I <sub>n-1</sub>	I <sub>n</sub> = MUL R0, R1	I <sub>n+1</sub> = MOV R6, MDL	I <sub>n+2</sub> = ADD R6, R1	I <sub>n+2</sub> = ADD R6, R1	I <sub>n+3</sub> = MOV R3, [R0]
<b>MEMORY</b>	I <sub>n-2</sub>	I <sub>n-1</sub>	I <sub>n</sub> = MUL R0, R1	I <sub>n+1</sub> = MOV R6, MDL	I <sub>n+1</sub> = MOV R6, MDL	I <sub>n+2</sub> = ADD R6, R1
<b>EXECUTE</b>	I <sub>n-3</sub>	I <sub>n-2</sub>	I <sub>n-1</sub>	I <sub>n</sub> = MUL R0, R1	–	I <sub>n+1</sub> = MOV R6, MDL
<b>WR.BACK</b>	I <sub>n-4</sub>	I <sub>n-3</sub>	I <sub>n-2</sub>	I <sub>n-1</sub>	I <sub>n</sub> = MUL R0, R1	–

1) Cannot read MDL here.

**Preliminary**

**Central Processing Unit (CPU)**

By reordering instructions, the bubble in the pipeline can be filled with an instruction not using this resource.

Conflict\_CSFR\_Update\_Resolved:

```

In      MUL R0,R1
In+1    MOV R3,[R0]
In+2    MOV R6,MDL
In+3    ADD R6,R1
In+4    . . .
  
```

**Table 4-12 Pipeline Dependencies with Result CSFRs (No Stall)**

Stage	T <sub>n</sub>	T <sub>n+1</sub>	T <sub>n+2</sub>	T <sub>n+3</sub>	T <sub>n+4</sub> <sup>1)</sup>	T <sub>n+5</sub>
<b>DECODE</b>	I <sub>n</sub> = MUL R0, R1	I <sub>n+1</sub> = MOV R3, [R0]	I <sub>n+2</sub> = MOV R6, MDL	I <sub>n+3</sub> = ADD R6, R1	I <sub>n+4</sub>	I <sub>n+5</sub>
<b>ADDRESS</b>	I <sub>n-1</sub>	I <sub>n</sub> = MUL R0, R1	I <sub>n+1</sub> = MOV R3, [R0]	I <sub>n+2</sub> = MOV R6, MDL	I <sub>n+3</sub> = ADD R6, R1	I <sub>n+4</sub>
<b>MEMORY</b>	I <sub>n-2</sub>	I <sub>n-1</sub>	I <sub>n</sub> = MUL R0, R1	I <sub>n+1</sub> = MOV R3, [R0]	I <sub>n+2</sub> = MOV R6, MDL	I <sub>n+3</sub> = ADD R6, R1
<b>EXECUTE</b>	I <sub>n-3</sub>	I <sub>n-2</sub>	I <sub>n-1</sub>	I <sub>n</sub> = MUL R0, R1	I <sub>n+1</sub> = MOV R3, [R0]	I <sub>n+2</sub> = MOV R6, MDL
<b>WR.BACK</b>	I <sub>n-4</sub>	I <sub>n-3</sub>	I <sub>n-2</sub>	I <sub>n-1</sub>	I <sub>n</sub> = MUL R0, R1	I <sub>n+1</sub> = MOV R3, [R0]

1) MDL can be read now, no stall cycle necessary.

### CSFRs Affecting the Whole CPU

Some CSFRs affect the whole CPU or the pipeline before the Memory stage. The CPU-SFRs CPUCON1, CP, SP, STKUN, STKOV, VECSEG, TFR, and PSW affect the overall CPU function, while the CPU-SFRs IDX0, IDX1, QX1, QX0, DPP0, DPP1, DPP2, and DPP3 only affect the DECODE, ADDRESS, and MEMORY stage when they are modified **explicitly**. In this case the pipeline behavior depends on the instruction and addressing mode used to modify the CSFR.

In the case of modification of these CSFRs by “POP CSFR” or by instructions using the reg,#data16 addressing mode, a special mechanism is implemented to improve performance during the initialization.

For further explanation, the instruction which modifies the CSFR can be called “instruction\_modify\_CSFR”. This special case is detected in the DECODE stage when the instruction\_modify\_CSFR enters the processing pipeline. Further on, instructions described in the following list are held in the DECODE stage (all other instructions are not held):

- Instructions using long addressing mode (mem)
- Instructions using indirect addressing modes ( $[R_w]$ ,  $[R_w+]$ ...), except JMPI and CALLI
- ENWDT, DISWDT, EINIT
- All CoXXX instructions

If the CPUCON1, CP, SP, STKUN, STKOV, VECSEG, TFR, or the PSW are modified and the instruction\_modify\_CSFR reaches the EXECUTE stage, the pipeline is canceled. The modification affects the entire pipeline and the instruction prefetch. A clean cancel and restart mechanism is required to guarantee a correct instruction flow. In case of modification of IDX0, IDX1, QX1, QX0, DPP0, DPP1, DPP2, or DPP3 only the DECODE, ADDRESS, and MEMORY stages are affected and the pipeline needs not to be canceled. The modification does not affect the instructions in the ADDRESS, MEMORY stage because they are not using this resource. Other kinds of instructions are held in the DECODE stage until the CSFR is modified.

The following example shows a case in which the pipeline is stalled. The instruction “MOV R6, R1” after the “MOV IDX1, #12” instruction which modifies the CSFR will be held in DECODE Stage until the IDX1 register is updated. The next example shows an optimized initialization routine.

**Preliminary**

**Central Processing Unit (CPU)**

Conflict\_Canceling:

```

In      MOV  IDX1, #12
In+1    MOV  R6, mem
In+2    ADD  R6, R1
In+3    MOV  R3, [R0]
    
```

**Table 4-13 Pipeline Dependencies with Control CSFRs (Canceling)**

Stage	T <sub>n</sub>	T <sub>n+1</sub>	T <sub>n+2</sub>	T <sub>n+3</sub>	T <sub>n+4</sub>	T <sub>n+5</sub>
<b>DECODE</b>	I <sub>n</sub> = MOV IDX1, #12	I <sub>n+1</sub> = MOV R6, mem	I <sub>n+1</sub> = MOV R6, mem	I <sub>n+1</sub> = MOV R6, mem	I <sub>n+1</sub> = MOV R6, mem	I <sub>n+2</sub> = ADD R6, R1
<b>ADDRESS</b>	I <sub>n-1</sub>	I <sub>n</sub> = MOV IDX1, #12	–	–	–	I <sub>n+1</sub> = MOV R6, mem
<b>MEMORY</b>	I <sub>n-2</sub>	I <sub>n-1</sub>	I <sub>n</sub> = MOV IDX1, #12	–	–	–
<b>EXECUTE</b>	I <sub>n-3</sub>	I <sub>n-2</sub>	I <sub>n-1</sub>	I <sub>n</sub> = MOV IDX1, #12	–	–
<b>WR.BACK</b>	I <sub>n-4</sub>	I <sub>n-3</sub>	I <sub>n-2</sub>	I <sub>n-1</sub>	I <sub>n</sub> = MOV IDX1, #12	–

Conflict\_Canceling\_Optimized:

```

In      MOV  IDX1, #12
In+1    MOV  MAH, #23
In+2    MOV  MAL, #25
In+3    MOV  R3, #08
In+4    . . .
    
```

**Table 4-14 Pipeline Dependencies with Control CSFRs (Optimized)**

Stage	T <sub>n</sub>	T <sub>n+1</sub>	T <sub>n+2</sub>	T <sub>n+3</sub>	T <sub>n+4</sub>	T <sub>n+5</sub>
<b>DECODE</b>	I <sub>n</sub> = MOV IDX1, #12	I <sub>n+1</sub> = MOV MAH, #23	I <sub>n+2</sub> = MOV MAL, #25	I <sub>n+3</sub> = MOV R3, #08	I <sub>n+4</sub>	I <sub>n+5</sub>
<b>ADDRESS</b>	I <sub>n-1</sub>	I <sub>n</sub> = MOV IDX1, #12	I <sub>n+1</sub> = MOV MAH, #23	I <sub>n+2</sub> = MOV MAL, #25	I <sub>n+3</sub> = MOV R3, #08	I <sub>n+4</sub>
<b>MEMORY</b>	I <sub>n-2</sub>	I <sub>n-1</sub>	I <sub>n</sub> = MOV IDX1, #12	I <sub>n+1</sub> = MOV MAH, #23	I <sub>n+2</sub> = MOV MAL, #25	I <sub>n+3</sub> = MOV R3, #08
<b>EXECUTE</b>	I <sub>n-3</sub>	I <sub>n-2</sub>	I <sub>n-1</sub>	I <sub>n</sub> = MOV IDX1, #12	I <sub>n+1</sub> = MOV MAH, #23	I <sub>n+2</sub> = MOV MAL, #25
<b>WR.BACK</b>	I <sub>n-4</sub>	I <sub>n-3</sub>	I <sub>n-2</sub>	I <sub>n-1</sub>	I <sub>n</sub> = MOV IDX1, #12	I <sub>n+1</sub> = MOV MAH, #23



**Preliminary**

**Central Processing Unit (CPU)**

For all the other instructions that modify this kind of CSFR, a simple stall and cancel mechanism guarantees the correct instruction flow.

A possible explicit write-operation to this kind of CSFRs is detected on the MEMORY stage of the pipeline. The following instructions on the ADDRESS and DECODE Stage are stalled. If the instruction reaches the EXECUTE stage, the entire pipeline and the Instruction FIFO of the IFU are canceled. The instruction flow is completely re-started.

Conflict\_Canceling\_Completely:

```

In      MOV PSW,R4
In+1    MOV R6,R1
In+2    ADD R6,R1
In+3    MOV R3,[R0]
In+4    . . .
  
```

**Table 4-15 Pipeline Dependencies with Control CSFRs (Cancel All)**

Stage	T <sub>n+1</sub>	T <sub>n+2</sub>	T <sub>n+3</sub>	T <sub>n+4</sub>	T <sub>n+5</sub>	T <sub>n+6</sub>
<b>DECODE</b>	I <sub>n+1</sub> = MOV R6, R1	I <sub>n+2</sub> = ADD R6, R1	I <sub>n+2</sub> = ADD R6, R1	–	–	I <sub>n+1</sub> = MOV R6, R1
<b>ADDRESS</b>	I <sub>n</sub> = MOV PSW, R4	I <sub>n+1</sub> = MOV R6, R1	I <sub>n+1</sub> = MOV R6, R1	–	–	–
<b>MEMORY</b>	I <sub>n-1</sub>	I <sub>n</sub> = MOV PSW, R4	–	–	–	–
<b>EXECUTE</b>	I <sub>n-2</sub>	I <sub>n-1</sub>	I <sub>n</sub> = MOV PSW, R4	–	–	–
<b>WR.BACK</b>	I <sub>n-3</sub>	I <sub>n-2</sub>	I <sub>n-1</sub>	I <sub>n</sub> = MOV PSW, R4	–	–

## 4.4 CPU Configuration Registers

The CPU configuration registers select a number of general features and behaviors of the XC2000's CPU core. In general, these registers must not be modified by application software (exceptions will be documented, e.g. in an errata sheet).

*Note: The CPU configuration registers are protected by the register security mechanism after the EINIT instruction has been executed.*

### CPUCON1

#### CPU Control Register 1

SFR (FE18<sub>H</sub>/0C<sub>H</sub>)

Reset Value: 0007<sub>H</sub>

15	14	13	12	11	10	9	8	7	6	5	4	3	2	1	0
-	-	-	-	-	-	-	-	-	VECSC	WDT CTL	SGT DIS	INTS CXT	BP	ZCJ	
-	-	-	-	-	-	-	-	-	rw	rw	rw	rw	rw	rw	

Field	Bits	Type	Description
<b>VECSC</b>	[6:5]	rw	<b>Scaling Factor of Vector Table</b> 00 Space between two vectors is 2 words <sup>1)</sup> 01 Space between two vectors is 4 words 10 Space between two vectors is 8 words 11 Space between two vectors is 16 words
<b>WDTCTL</b>	4	rw	<b>Configuration of Watchdog Timer</b> 0 DISWDT executable only until End Of Init <sup>2)</sup> 1 DISWDT/ENWDT always executable (enhanced WDT mode)
<b>SGTDIS</b>	3	rw	<b>Segmentation Disable/Enable Control</b> 0 Segmentation enabled 1 Segmentation disabled
<b>INTSCXT</b>	2	rw	<b>Enable Interruptibility of Switch Context</b> 0 Switch context is not interruptible 1 Switch context is interruptible
<b>BP</b>	1	rw	<b>Enable Branch Prediction Unit</b> 0 Branch prediction disabled 1 Branch prediction enabled
<b>ZCJ</b>	0	rw	<b>Enable Zero Cycle Jump Function</b> 0 Zero cycle jump function disabled 1 Zero cycle jump function enabled

1) The default value (2 words) is compatible with the vector distance defined in the C166 Family architecture.

2) The DISWDT (executed after EINIT) and ENWDT instructions are internally converted in a NOP instruction.

Preliminary

Central Processing Unit (CPU)

**CPUCON2**

**CPU Control Register 2**

**SFR (FE1A<sub>H</sub>/0D<sub>H</sub>)**

**Reset Value: 8FBB<sub>H</sub>**

15	14	13	12	11	10	9	8	7	6	5	4	3	2	1	0
FIFODEPTH			FIFO FED			BYP PF	BYP F	EIO IAEN	STE N	LFIC	OV RUN	RET ST	-	DAID	SL
rw			rw			rw	rw	rw	rw	rw	rw	rw	-	rw	rw

Field	Bits	Type	Description
<b>FIFODEPTH</b>	[15:12]	rw	<b>FIFO Depth Configuration</b> 0000 No FIFO (entries) 0001 One FIFO entry ... .. 1000 Eight FIFO entries 1001 reserved ... .. 1111 reserved
<b>FIFO FED</b>	[11:10]	rw	<b>FIFO Fed Configuration</b> 00 FIFO disabled 01 FIFO filled with up to one instruction per cycle 10 FIFO filled with up to two instructions per cycle 11 FIFO filled with up to three instruction per cycle
<b>BYP PF</b>	9	rw	<b>Prefetch Bypass Control</b> 0 Bypass path from prefetch to decode disabled 1 Bypass path from prefetch to decode available
<b>BYP F</b>	8	rw	<b>Fetch Bypass Control</b> 0 Bypass path from fetch to decode disabled 1 Bypass path from fetch to decode available
<b>EIO IAEN</b>	7	rw	<b>Early IO Injection Acknowledge Enable</b> 0 Injection acknowledge by destructive read not guaranteed 1 Injection acknowledge by destructive read guaranteed
<b>STE N</b>	6	rw	<b>Stall Instruction Enable</b> (for debug purposes) 0 Stall Instruction disabled 1 Stall Instruction enabled (see example below)
<b>LFIC</b>	5	rw	<b>Linear Follower Instruction Cache</b> 0 Linear Follower Instruction Cache disabled 1 Linear Follower Instruction Cache enabled

Field	Bits	Type	Description
<b>OVRUN</b>	4	rw	<b>Pipeline Control</b> 0 Overrun of pipeline bubbles not allowed 1 Overrun of pipeline bubbles allowed
<b>RETST</b>	3	rw	<b>Enable Return Stack</b> 0 Return Stack is disabled 1 Return Stack is enabled
<b>DAID</b>	1	rw	<b>Disable Atomic Injection Deny</b> 0 Injection-requests are denied during Atomic 1 Injection-requests are not denied during Atomic
<b>SL</b>	0	rw	<b>Enables Short Loop Mode</b> 0 Short loop mode disabled 1 Short loop mode enabled

Example for dedicated stall debug instructions:

```
STALLAM da,ha,dm,hm ;Opcode: 44 dahadmhm
STALLEW de,he,dw,hw ;Opcode: 45 dehedwhw
                    ;Stalls the corresponding pipeline
                    ;stage after "d" cycles for "h" cycles
                    ;("d" and "h" are 6-bit values)
```

*Note: In general, these registers must not be modified by application software (exceptions will be documented, e.g. in an errata sheet).*

### 4.5 Use of General Purpose Registers

The CPU uses several banks of sixteen dedicated registers R0, R1, R2, ... R15, called General Purpose Registers (GPRs), which can be accessed in one CPU cycle. The GPRs are the working registers of the arithmetic and logic units and many also serve as address pointers for indirect addressing modes.

The register banks are accessed via the 5-port register file providing the high access speed required for the CPU's performance. The register file is split into three independent physical register banks. There are **two types of register banks**:

- **Two local register banks** which are a part of the register file
- **A global register bank** which is memory-mapped and cached in the register file

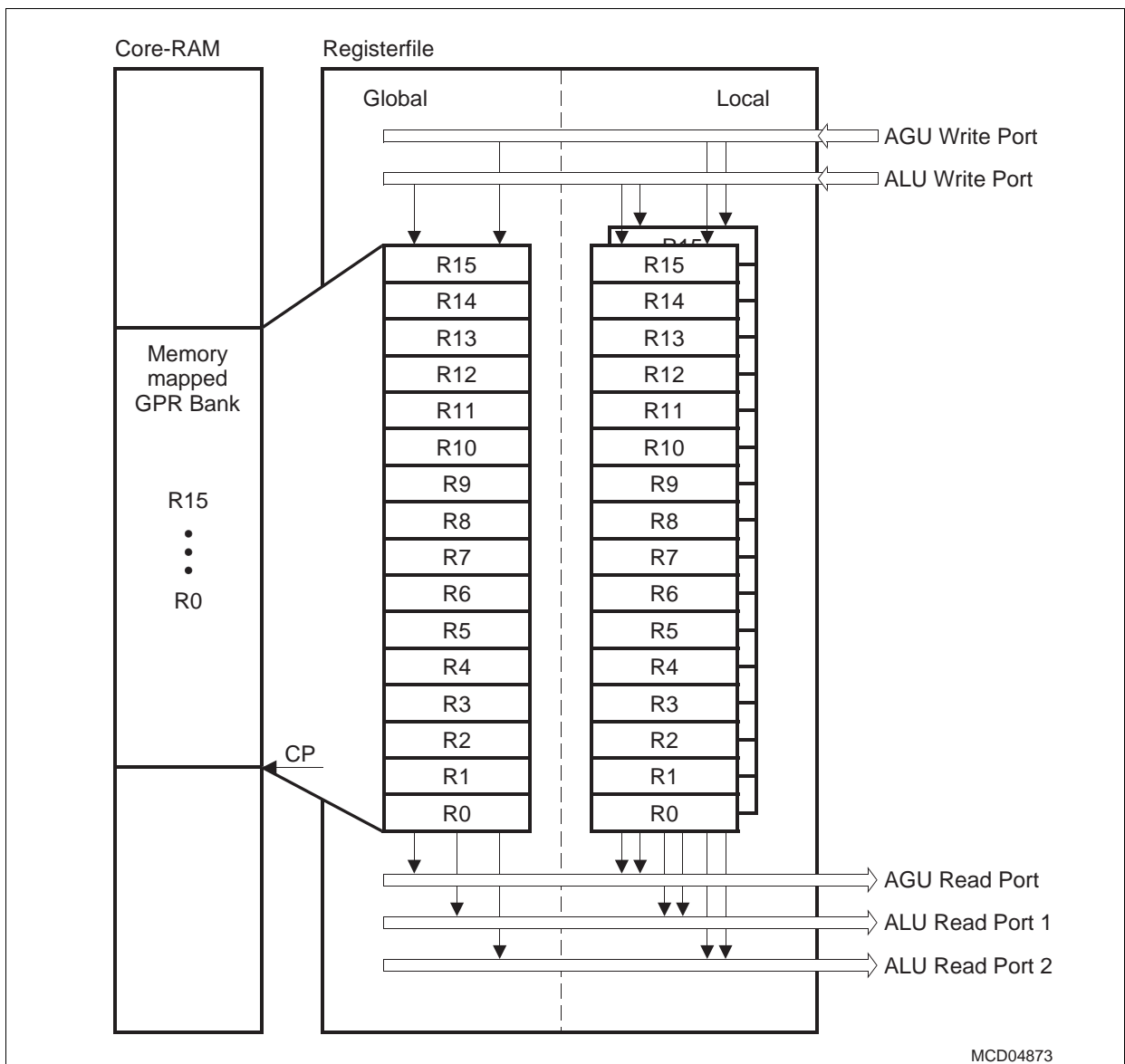
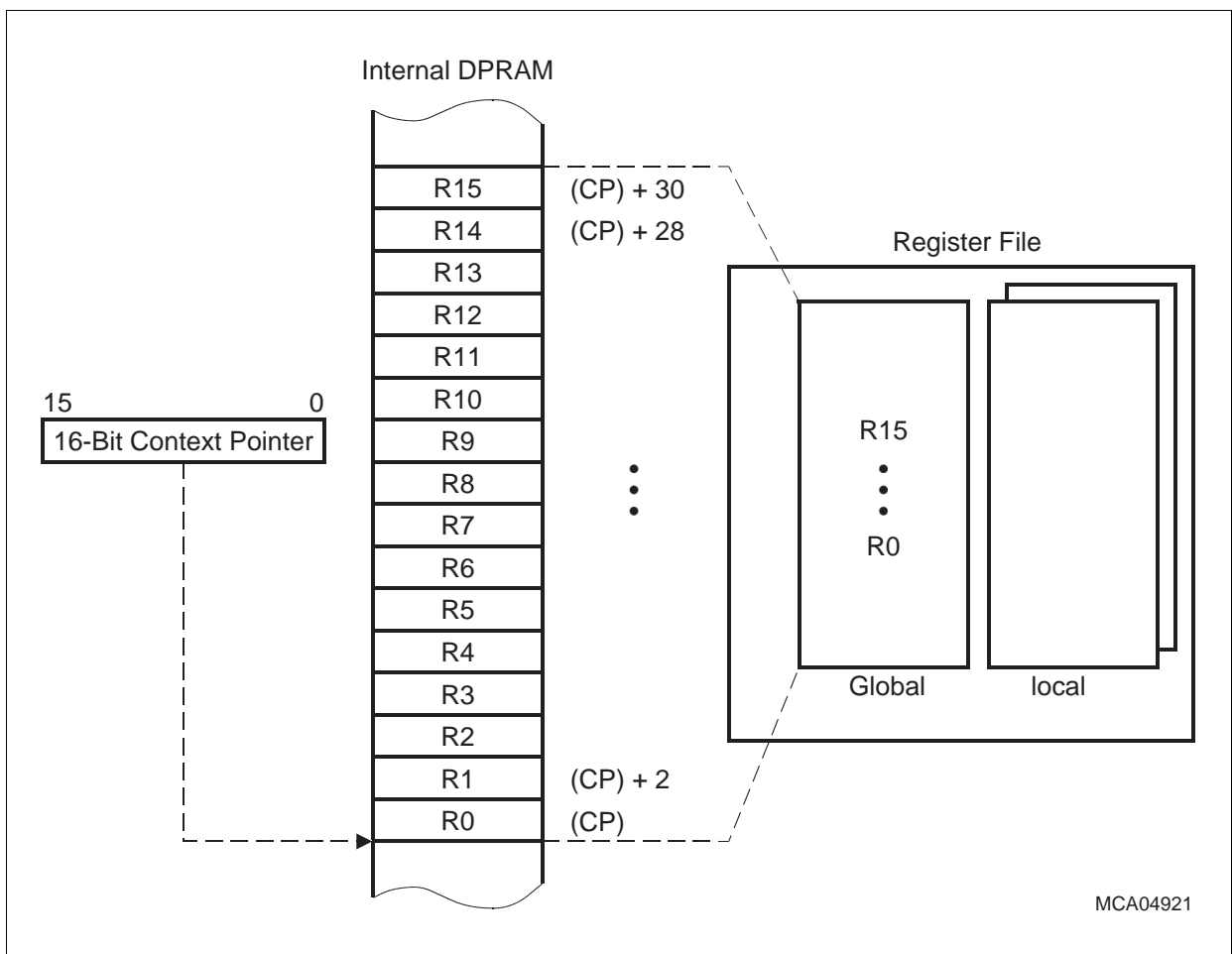


Figure 4-5 Register File

Bitfield BANK in register PSW selects which of the three physical register banks is activated. The selected bank can be changed explicitly by any instruction which writes to the PSW, or implicitly by a RETI instruction, an interrupt or hardware trap. In case of an interrupt, the selection of the register bank is configured via registers BNKSELx in the Interrupt Controller ITC. Hardware traps always use the global register bank.

The local register banks are built of dedicated physical registers, while the global register bank represents a cache. The banks of the memory-mapped GPRs (global bank) are located in the internal DPRAM. One bank uses a block of 16 consecutive words. A Context Pointer (CP) register determines the base address of the current selected bank. To provide the required access speed, the GPRs located in the DPRAM are cached in the 5-port register file (only one memory-mapped GPR bank can be cached at the time). If the global register bank is activated, the cache will be validated before further instructions are executed. After validation, all further accesses to the GPRs are redirected to the global register bank.



**Figure 4-6 Register Bank Selection via Register CP**

### 4.5.1 GPR Addressing Modes

Because the GPRs are the working registers and are accessed frequently, there are three possible ways to access a register bank:

- **Short GPR Address** (mnemonic: Rw or Rb)
- **Short Register Address** (mnemonic: reg or bitoff)
- **Long Memory Address** (mnemonic: mem), for the global bank only

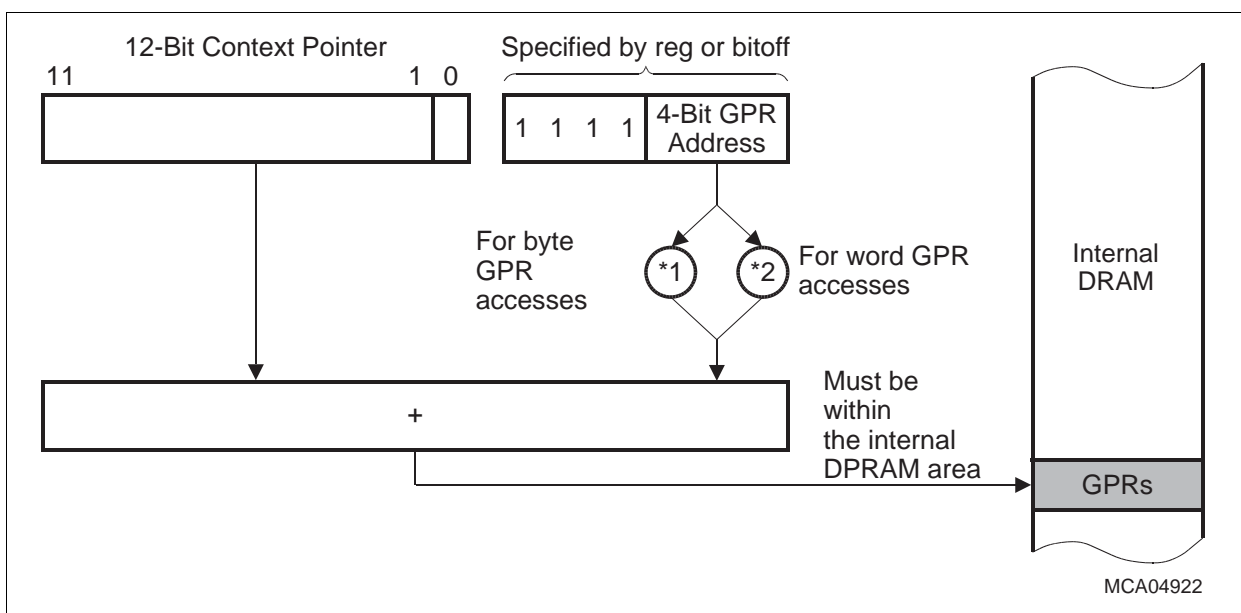
**Short GPR Addresses** specify the register offset within the current register bank (selected via bitfield BANK). Short 4-bit GPR addresses can access all sixteen registers, short 2-bit addresses (used by some instructions) can access the lower four registers.

Depending on whether a relative word (Rw) or byte (Rb) GPR address is specified, the short GPR address is either multiplied by two (Rw) or not (Rb) before it is used to physically access the register bank. Thus, both byte and word GPR accesses are possible in this way.

*Note: GPRs used as indirect address pointers are always accessed wordwise.*

For the local register banks the resulting offset is used directly, for the global register bank the resulting offset is logically added to the contents of register CP which points to the memory location of the base of the current global register bank (see [Figure 4-7](#)).

**Short 8-Bit Register Addresses** within a range from F0<sub>H</sub> to FF<sub>H</sub> interpret the four least significant bits as short 4-bit GPR addresses, while the four most significant bits are ignored. The respective physical GPR address is calculated in the same way as for short 4-bit GPR addresses. For single bit GPR accesses, the GPR's word address is calculated in the same way. The accessed bit position within the word is specified by a separate additional 4-bit value.



**Figure 4-7 Implicit CP Use by Logical Short GPR Addressing Modes**

**Preliminary**

**Central Processing Unit (CPU)**

**24-Bit Memory Addresses** can be directly used to access GPRs located in the DPRAM (not applicable for local register banks). In case of a memory read access, a hit detection logic checks if the accessed memory location is cached in the global register bank. In case of a cache hit, an additional global register bank read access is initiated. The data that is read from cache will be used and the data that is read from memory will be discarded. This leads to a delay of one CPU cycle (MOV R4, mem [CP ≤ mem ≤ CP + 31]). In case of a memory write access, the hit detection logic determines a cache hit in advance. Nevertheless, the address conversion needs one additional CPU cycle. The value is directly written into the global register bank without further delay (MOV mem, R4).

*Note: The 24-bit GPR addressing mode is not recommended because it requires an extra cycle for the read and write access.*

**Table 4-16 Addressing Modes to Access GPRs**

Word Registers <sup>1)</sup>		Byte Registers		Short Address <sup>2)</sup>		
Name	Mem. Addr. <sup>3)</sup>	Name	Mem. Addr. <sup>3)</sup>	8-Bit	4-Bit	2-Bit
R0	(CP) + 0	RL0	(CP) + 0	F0 <sub>H</sub>	0 <sub>H</sub>	0 <sub>H</sub>
R1	(CP) + 2	RH0	(CP) + 1	F1 <sub>H</sub>	1 <sub>H</sub>	1 <sub>H</sub>
R2	(CP) + 4	RL1	(CP) + 2	F2 <sub>H</sub>	2 <sub>H</sub>	2 <sub>H</sub>
R3	(CP) + 6	RH1	(CP) + 3	F3 <sub>H</sub>	3 <sub>H</sub>	3 <sub>H</sub>
R4	(CP) + 8	RL2	(CP) + 4	F4 <sub>H</sub>	4 <sub>H</sub>	---
R5	(CP) + 10	RH2	(CP) + 5	F5 <sub>H</sub>	5 <sub>H</sub>	---
R6	(CP) + 12	RL3	(CP) + 6	F6 <sub>H</sub>	6 <sub>H</sub>	---
R7	(CP) + 14	RH3	(CP) + 7	F7 <sub>H</sub>	7 <sub>H</sub>	---
R8	(CP) + 16	RL4	(CP) + 8	F8 <sub>H</sub>	8 <sub>H</sub>	---
R9	(CP) + 18	RH4	(CP) + 9	F9 <sub>H</sub>	9 <sub>H</sub>	---
R10	(CP) + 20	RL5	(CP) + 10	FA <sub>H</sub>	A <sub>H</sub>	---
R11	(CP) + 22	RH5	(CP) + 11	FB <sub>H</sub>	B <sub>H</sub>	---
R12	(CP) + 24	RL6	(CP) + 12	FC <sub>H</sub>	C <sub>H</sub>	---
R13	(CP) + 26	RH6	(CP) + 13	FD <sub>H</sub>	D <sub>H</sub>	---
R14	(CP) + 28	RL7	(CP) + 14	FE <sub>H</sub>	E <sub>H</sub>	---
R15	(CP) + 30	RH7	(CP) + 15	FF <sub>H</sub>	F <sub>H</sub>	---

1) The first 8 GPRs (R7 ... R0) may also be accessed bitwise. Writing to a GPR byte does not affect the other byte of the respective GPR.

2) Short addressing modes are usable for all register banks.

3) Long addressing mode only usable for the memory mapped global GPR bank.



## 4.5.2 Context Switching

When a task scheduler of an operating system activates a new task or an interrupt service routine is called or terminated, the working context (i.e. the registers) of the left task must be saved and the working context of the new task must be restored. The CPU context can be changed in two ways:

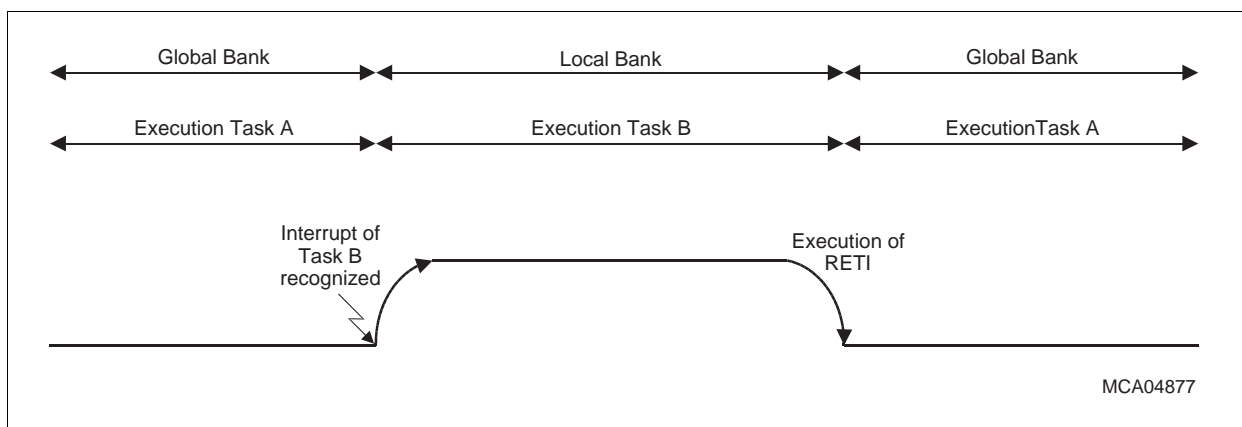
- Switching the selected register bank
- Switching the context of the global register

### Switching the Selected Physical Register Bank

By updating bitfield BANK in register PSW the active register bank is switched immediately. It is possible to switch between the current memory-mapped GPR bank cached in the global register bank (BANK = 00<sub>B</sub>), local register bank 1 (BANK = 10<sub>B</sub>), and local register bank 2 (BANK = 11<sub>B</sub>).

In case of an interrupt service, the bank switch can be automatically executed by updating bitfield BANK from registers BNKSELx in the interrupt controller. By executing a RETI instruction, bitfield BANK will automatically be restored and the context will be switched to the original register bank.

The switch between the three physical register banks of the register file can also be executed by writing to bitfield BANK. Because of pipeline dependencies an explicit change of register PSW must cancel the pipeline.



**Figure 4-8 Context Switch by Changing the Physical Register Bank**

After a switch to a local register bank, the new bank is immediately available. After switching to the global register bank, the cached memory-mapped GPRs must be valid before any further instructions can be executed. If the global register bank is not valid at this time (in case if the context switch process has been interrupted), the cache validation process is repeated automatically.

## Switching the Context of the Global Register Bank

The contents of the global register bank are switched by changing the base address of the memory-mapped GPR bank. The base address is given by the contents of the Context Pointer (CP).

After the CP has been updated, a state machine starts to store the old contents of the global register bank and to load the new one. The store and load algorithm is executed in nineteen CPU cycles: the execution of the cache validation process takes sixteen cycles plus three cycles to stall an instruction execution to avoid pipeline conflicts upon the completion of the validation process. The context switch process has two phases:

- **Store phase:** The contents of the global register bank<sup>1)</sup> is stored back into the DPRAM by executing eight injected STORE instructions. After the last STORE instruction the contents of the global register bank are invalidated.
- **Load phase:** The global register bank is loaded with the new context by executing eight injected LOAD instructions. After the last LOAD instruction the contents of the global register bank are validated.

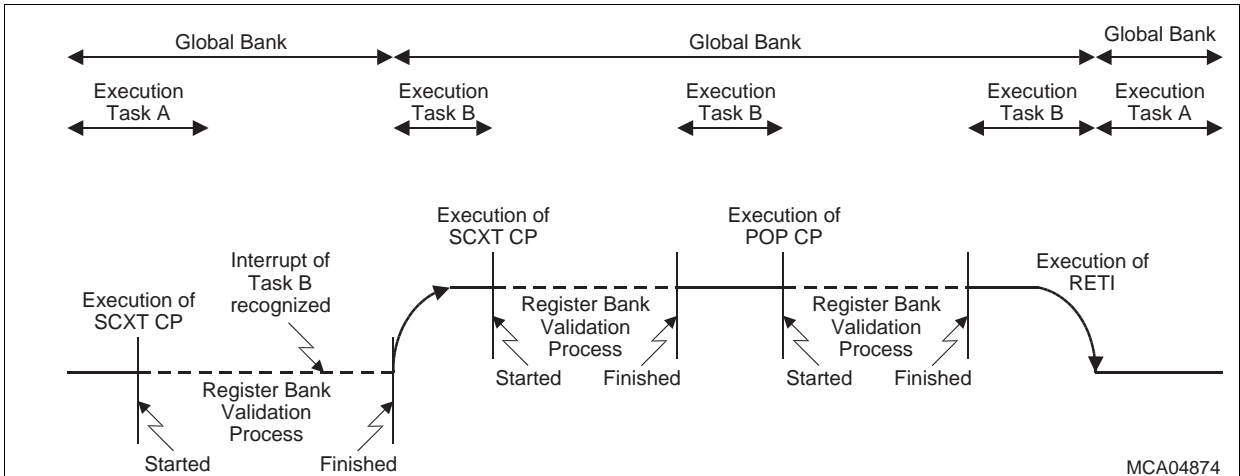
The code execution is stopped until the global register bank is valid again. A hardware interrupt can occur during the validation process. The way the validation process is completed depends on the type of register bank selected for this interrupt:

- If the interrupt also uses a global register bank the validation process is finished before executing the service routine (see [Figure 4-9](#)).
- If the interrupt uses a local register bank the validation process is interrupted and the service routine is executed immediately (see [Figure 4-10](#)). After switching back to the global register bank, the validation process is finished:
  - If the interrupt occurred during the store phase, the entire validation process is restarted from the very beginning.
  - If the interrupt occurred during the load phase, only the load phase is repeated.

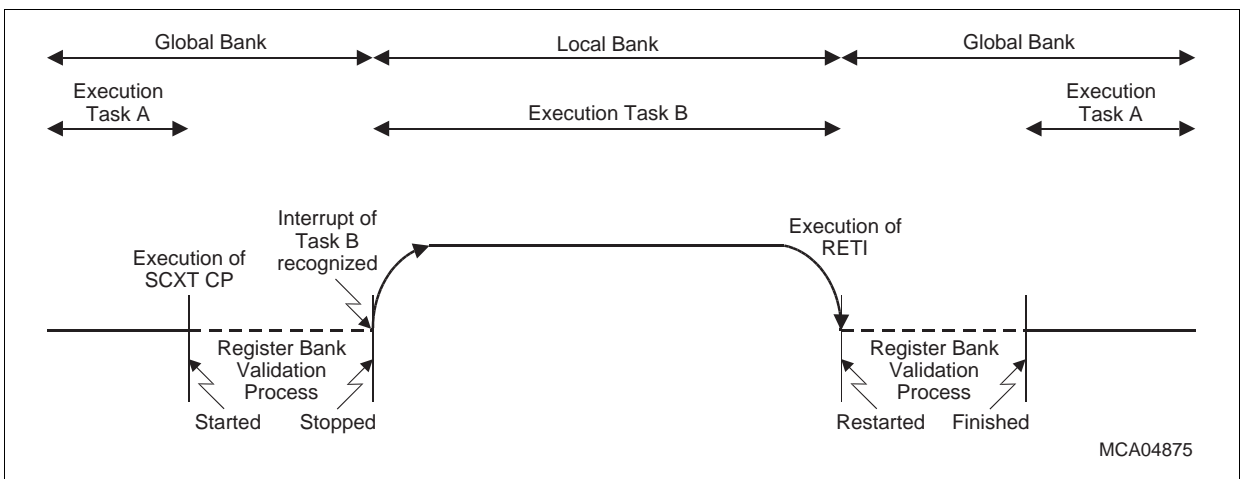
If a local-bank interrupt routine (Task B in [Figure 4-11](#)) is again interrupted by a global-bank interrupt (Task C), the suspended validation process must be finished before code of Task C can be executed. This means that the validation process of Task A does not affect the interrupt latency of Task B but the latency of Task C.

*Note: If Task C would immediately interrupt Task A, the register bank validation process of Task A would be finished first. The worst case interrupt latency is identical in both cases (see [Figure 4-9](#) and [Figure 4-11](#)).*

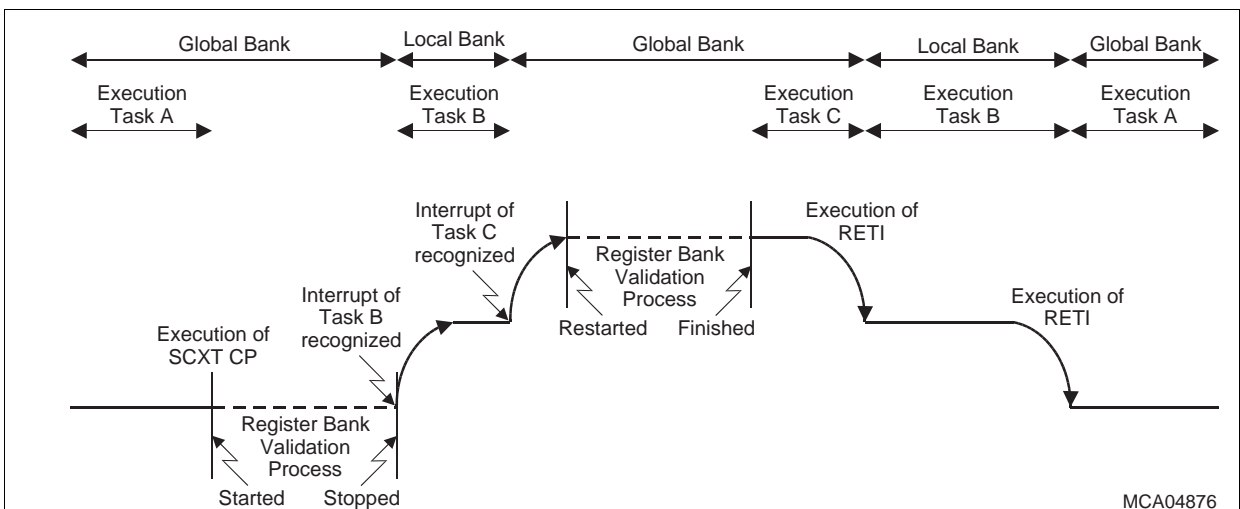
1) During the store phase of the context switch the complete register bank is written to the DPRAM even if the application only uses a part of this register bank. A register bank must not be located above FDE0<sub>H</sub>, otherwise the store phase will overwrite SFRs (beginning at FE00<sub>H</sub>).



**Figure 4-9 Validation Process Interrupted by Global-Bank Interrupt**



**Figure 4-10 Validation Process Interrupted by Local-Bank Interrupt**



**Figure 4-11 Validation Process Interrupted by Local- and Global-Bank Intr.**

### 4.5.2.1 The Context Pointer (CP)

This non-bit-addressable register selects the current global register bank context. It can be updated via any instruction capable of modifying SFRs.

#### CP

<b>Context Pointer</b>	<b>SFR (FE10<sub>H</sub>/08<sub>H</sub>)</b>	<b>Reset Value: FC00<sub>H</sub></b>																																
15 14 13 12 11 10 9 8 7 6 5 4 3 2 1 0																																		
<table border="1" style="width: 100%; border-collapse: collapse;"> <tr> <td style="width: 25%; text-align: center;">1</td> <td style="width: 25%; text-align: center;">1</td> <td style="width: 25%; text-align: center;">1</td> <td style="width: 25%; text-align: center;">1</td> <td colspan="11" style="text-align: center;">cp</td> <td style="width: 25%; text-align: center;">0</td> </tr> <tr> <td style="text-align: center;">r</td> <td style="text-align: center;">r</td> <td style="text-align: center;">r</td> <td style="text-align: center;">r</td> <td colspan="11" style="text-align: center;">rw</td> <td style="text-align: center;">r</td> </tr> </table>	1	1	1	1	cp											0	r	r	r	r	rw											r		
1	1	1	1	cp											0																			
r	r	r	r	rw											r																			

Field	Bits	Type	Description
cp	[11:1]	rw	<b>Modifiable Portion of Register CP</b> Specifies the (word) base address of the current global (memory-mapped) register bank. When writing a value to register CP with bits CP[11:9] = 000 <sub>B</sub> , bits CP[11:10] are set to 11 <sub>B</sub> by hardware.

*Note: It is the user's responsibility to ensure that the physical GPR address specified via CP register plus short GPR address is always an internal DPRAM location. If this condition is not met, unexpected results may occur. Do not set CP below the internal DPRAM start address. Do not set CP above FDE0<sub>H</sub>, otherwise the store phase will overwrite SFRs (beginning at FE00<sub>H</sub>).*

The XC2000 switches the complete memory-mapped GPR bank with a single instruction. After switching, the service routine executes within its own separate context.

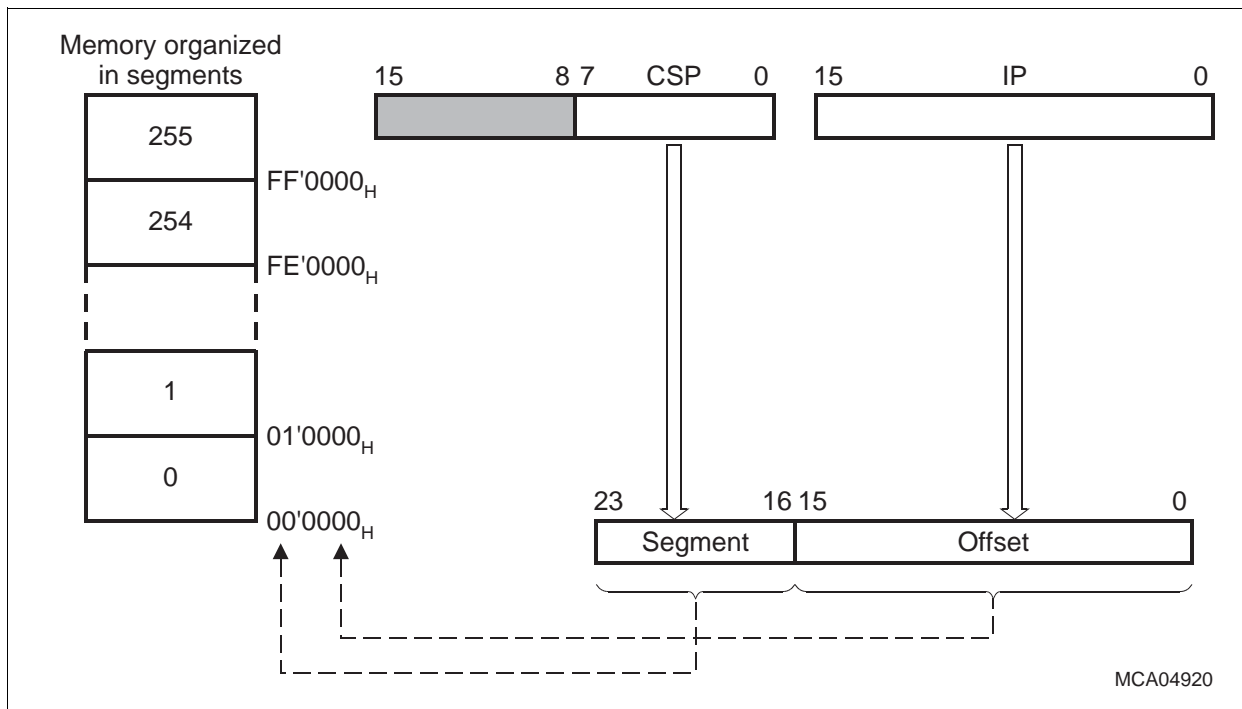
The instruction "SCXT CP, #New\_Bank" pushes the value of the current context pointer (CP) into the system stack and loads CP with the immediate value "New\_Bank", which selects a new register bank. The service routine may now use its "own registers". This memory register bank is preserved when the service routine terminates, i.e. its contents are available on the next call.

Before returning from the service routine (RETI), the previous CP is simply popped from the system stack which returns the registers to the original bank.

*Note: Due to the internal instruction pipeline, a write operation to the CP register stalls the instruction flow until the register file context switch is really executed. The instruction immediately following the instruction that updates CP register can use the new value of the changed CP.*

## 4.6 Code Addressing

The XC2000 provides a total addressable memory space of 16 Mbytes. This address space is arranged as 256 segments of 64 Kbytes each. A dedicated 24-bit code address pointer is used to access the memories for instruction fetches. This pointer has two parts: an 8-bit code segment pointer CSP and a 16-bit offset pointer called Instruction Pointer (IP). The concatenation of the CSP and IP results directly in a correct 24-bit physical memory address.



MCA04920

**Figure 4-12 Addressing via the Code Segment and Instruction Pointer**

tbd RAS

**The Code Segment Pointer CSP** selects the code segment being used at run-time to access instructions. The lower 8 bits of register CSP select one of up to 256 segments of 64 Kbytes each, while the higher 8 bits are reserved for future use. The reset value is specified by the contents of the VECSEG register ([Section 5.3](#)).

*Note: Register CSP can only be read but cannot be written by data operations.*

**In segmented memory mode** (default after reset), register CSP is modified either directly by JMPS and CALLS instructions, or indirectly via the stack by RETS and RETI instructions.

**In non-segmented memory mode** (selected by setting bit SGTDIS in register CPUCON1), CSP is fixed to the segment of the instruction that disabled segmentation. Modification by inter-segment CALLs or RETurns is no longer possible.

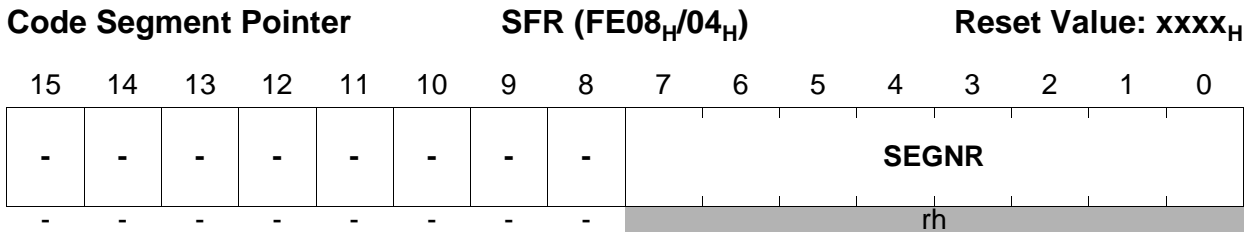
**Preliminary**

**Central Processing Unit (CPU)**

For processing an accepted interrupt or a TRAP, register CSP is automatically loaded with the segment of the vector table (defined in register VECSEG).

*Note: For the correct execution of interrupt tasks in non-segmented memory mode, the contents of VECSEG must select the same segment as the current value of CSP, i.e. the vector table must be located in the segment pointed to by the CSP.*

**CSP**

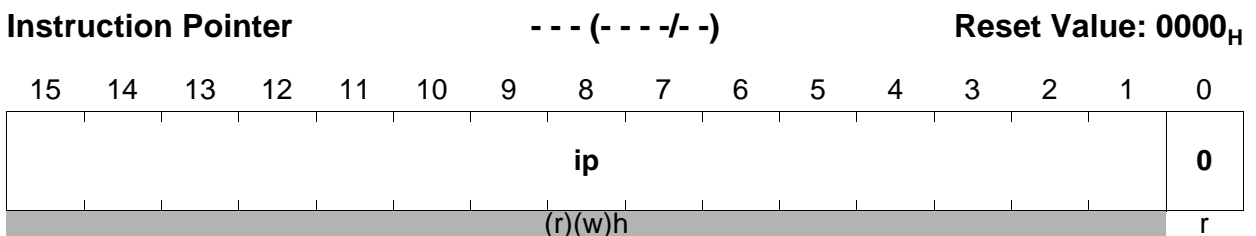


Field	Bits	Type	Description
<b>SEGNR</b>	[7:0]	rh	Specifies the code segment from which the current instruction is to be fetched.

*Note: After a reset, register CSP is automatically loaded from register VECSEG.*

**The Instruction Pointer IP** determines the 16-bit intra-segment address of the currently fetched instruction within the code segment selected by the CSP register. Register IP is not mapped into the XC2000's address space; thus, it is not directly accessible by the programmer. However, the IP can be modified indirectly via the stack by means of a return instruction. IP is implicitly updated by the CPU for branch instructions and after instruction fetch operations.

**IP**



Field	Bits	Type	Description
<b>ip</b>	[15:1]	h	Specifies the intra segment offset from which the current instruction is to be fetched. IP refers to the current segment <SEGNR>.

## 4.7 Data Addressing

The Address Data Unit (ADU) contains two independent arithmetic units to generate, calculate, and update addresses for data accesses, the Standard Address Generation Unit (SAGU) and the DSP Address Generation Unit (DAGU). The ADU performs the following major tasks:

- Standard Address Generation (SAGU)
- DSP Address Generation (DAGU)
- Data Paging (SAGU)
- Stack Handling (SAGU)

The SAGU supports linear arithmetic for the indirect addressing modes and also generates the address in case of all other short and long addressing modes.

The DAGU contains an additional set of address pointers and offset registers which are used in conjunction with the CoXXX instructions only.

The CPU provides a lot of powerful addressing modes (short, long, indirect) for word, byte, and bit data accesses. The different addressing modes use different formats and have different scopes.

### 4.7.1 Short Addressing Modes

Short addressing modes allow access to the GPR, SFR or bit-addressable memory space. All of these addressing modes use an offset (8/4/2 bits) together with an implicit base address to specify a 24-bit physical address:

**Table 4-17 Short Addressing Modes**

<b>Mnemonic</b>	<b>Base Address<sup>1)</sup></b>	<b>Offset</b>	<b>Short Address Range</b>	<b>Scope of Access</b>
Rw	(CP)	$2 \times Rw$	0 ... 15	GPRs (word)
Rb	(CP)	$1 \times Rb$	0 ... 15	GPRs (byte)
reg	00'FE00 <sub>H</sub>	$2 \times reg$	00 <sub>H</sub> ... EF <sub>H</sub>	SFRs (word, low byte)
	00'F000 <sub>H</sub>	$2 \times reg$	00 <sub>H</sub> ... EF <sub>H</sub>	ESFRs (word, low byte)
	(CP)	$2 \times (reg \wedge 0F_H)$	F0 <sub>H</sub> ... FF <sub>H</sub>	GPRs (word)
	(CP)	$1 \times (reg \wedge 0F_H)$	F0 <sub>H</sub> ... FF <sub>H</sub>	GPRs (bytes)
bitoff	00'FD00 <sub>H</sub>	$2 \times bitoff$	00 <sub>H</sub> ... 7F <sub>H</sub>	RAM Bit word offset
	00'FF00 <sub>H</sub>	$2 \times (bitoff \wedge 7F_H)$	80 <sub>H</sub> ... EF <sub>H</sub>	SFR Bit word offset
	00'F100 <sub>H</sub>	$2 \times (bitoff \wedge 7F_H)$	80 <sub>H</sub> ... EF <sub>H</sub>	ESFR Bit word offset
	(CP)	$2 \times (bitoff \wedge 0F_H)$	F0 <sub>H</sub> ... FF <sub>H</sub>	GPR Bit word offset
bitaddr	Bit word see bitoff	Immediate bit position	0 ... 15	Any single bit

1) Accesses to general purpose registers (GPRs) may also access local register banks, instead of using CP.

**Physical Address = Base Address +  $\Delta$  × Short Address**

*Note:  $\Delta$  is 1 for byte GPRs,  $\Delta$  is 2 for word GPRs.*

**Rw, Rb:** Specifies direct access to any GPR in the currently active context (global register bank or local register bank). Both 'Rw' and 'Rb' require four bits in the instruction format. The base address of the global register bank is determined by the contents of register CP. 'Rw' specifies a 4-bit word GPR address, 'Rb' specifies a 4-bit byte GPR address within a local register bank or relative to (CP).

**reg:** Specifies direct access to any (E)SFR or GPR in the currently active context (global or local register bank). The 'reg' value requires eight bits in the instruction format. Short 'reg' addresses in the range from 00<sub>H</sub> to EF<sub>H</sub> always specify (E)SFRs. In that case, the factor ' $\Delta$ ' equates 2 and the base address is 00'FE00<sub>H</sub> for the standard SFR area or 00'F000<sub>H</sub> for the extended ESFR area. The 'reg' accesses to the ESFR area require a preceding EXT\*R instruction to switch the base address. Depending on the opcode, either the total word (for word operations) or the low byte (for byte operations) of an SFR can be addressed via 'reg'. Note that the high byte of an SFR cannot be accessed via the 'reg' addressing mode. Short 'reg' addresses in the range from F0<sub>H</sub> to FF<sub>H</sub> always specify GPRs. In that case, only the lower four bits of 'reg' are significant for physical address generation and, therefore, it is identical to the address generation described for the 'Rb' and 'Rw' addressing modes.

**bitoff:** Specifies direct access to any word in the bit addressable memory space. The 'bitoff' value requires eight bits in the instruction format. The specified 'bitoff' range selects different base addresses to generate physical addresses (see [Table 4-17](#)). The 'bitoff' accesses to the ESFR area require a preceding EXT\*R instruction to switch the base address.

**bitaddr:** Any bit address is specified by a word address within the bit addressable memory space (see 'bitoff') and a bit position ('bitpos') within that word. Therefore, 'bitaddr' requires twelve bits in the instruction format.



### 4.7.2 Long Addressing Modes

Long addressing modes specify 24-bit addresses and, therefore, can access any word or byte data within the entire address space. Long addresses can be specified in different ways to generate the full 24-bit address:

- **Use one of the four Data Page Pointers (DPP registers):** The used 16-bit pointer selects a DPP with bits 15 ... 14, bits 13 ... 0 specify the 14-bit data page offset (see [Figure 4-13](#)).
- **Select the used data page directly:** The data page is selected by a preceding EXTP(R) instruction, bits 13 ... 0 of the used 16-bit pointer specify the 14-bit data page offset.
- **Select the used segment directly:** The segment is selected by a preceding EXT(S) instruction, the used 16-bit pointer specifies the 16-bit segment offset.

*Note: Word accesses on odd byte addresses are not executed. A hardware trap will be triggered.*

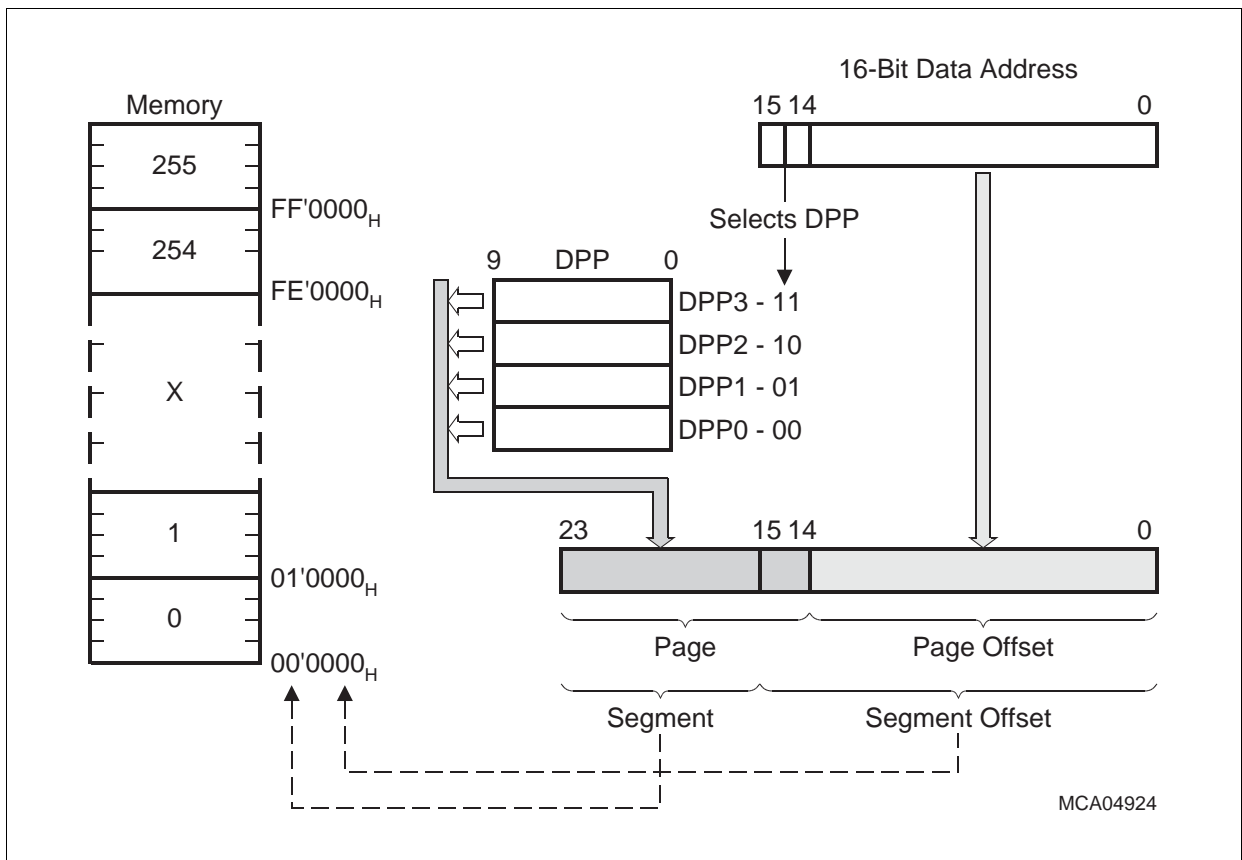


Figure 4-13 Data Page Pointer Addressing

### 4.7.2.1 Data Page Pointers DPP0, DPP1, DPP2, DPP3

These four non-bit-addressable registers select up to four different data pages to be active simultaneously at run-time. The lower 10 bits of each DPP register select one of the 1024 possible 16-Kbyte data pages; the upper 6 bits are reserved for future use.

#### DPP0

**Data Page Pointer 0**                      **SFR (FE00<sub>H</sub>/00<sub>H</sub>)**                      **Reset Value: 0000<sub>H</sub>**

#### DPP1

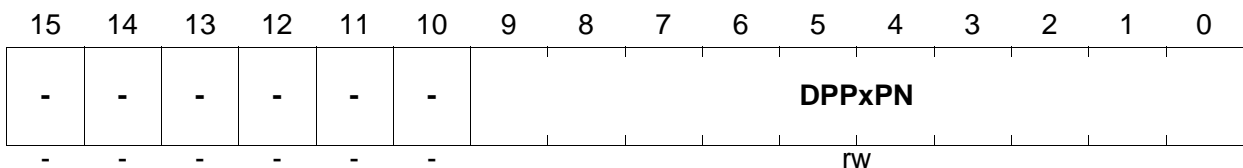
**Data Page Pointer 1**                      **SFR (FE02<sub>H</sub>/01<sub>H</sub>)**                      **Reset Value: 0001<sub>H</sub>**

#### DPP2

**Data Page Pointer 2**                      **SFR (FE04<sub>H</sub>/02<sub>H</sub>)**                      **Reset Value: 0002<sub>H</sub>**

#### DPP3

**Data Page Pointer 3**                      **SFR (FE06<sub>H</sub>/03<sub>H</sub>)**                      **Reset Value: 0003<sub>H</sub>**



Field	Bits	Type	Description
<b>DPPxPN</b>	[9:0]	rw	<b>Data Page Number of DPPx</b> Specifies the data page selected via DPPx.

The DPP registers allow access to the entire memory space in pages of 16 Kbytes each. The DPP registers are implicitly used whenever data accesses to any memory location are made via indirect or direct long 16-bit addressing modes (except for override accesses via EXTended instructions and PEC data transfers). After reset, the Data Page Pointers are initialized in such a way that all indirect or direct long 16-bit addresses result in identical 18-bit addresses. This allows access to data pages 3 ... 0 within segment 0 as shown in [Figure 4-13](#). If the user does not want to use data paging, no further action is required.

Data paging is performed by concatenating the lower 14 bits of an indirect or direct long 16-bit address with the contents of the DPP register selected by the upper two bits of the 16-bit address. The contents of the selected DPP register specify one of the 1024 possible data pages. This data page base address together with the 14-bit page offset forms the physical 24-bit address (even if segmentation is disabled).

The selected number of segment address bits (via bitfield SALSEL) of the respective DPP register is output on the respective segment address pins for all external data accesses.

A DPP register can be updated via any instruction capable of modifying an SFR.

Note: Due to the internal instruction pipeline, a write operation to the DPPx registers could stall the instruction flow until the DPP is actually updated. The instruction that immediately follows the instruction which updates the DPP register can use the new value of the changed DPPx.

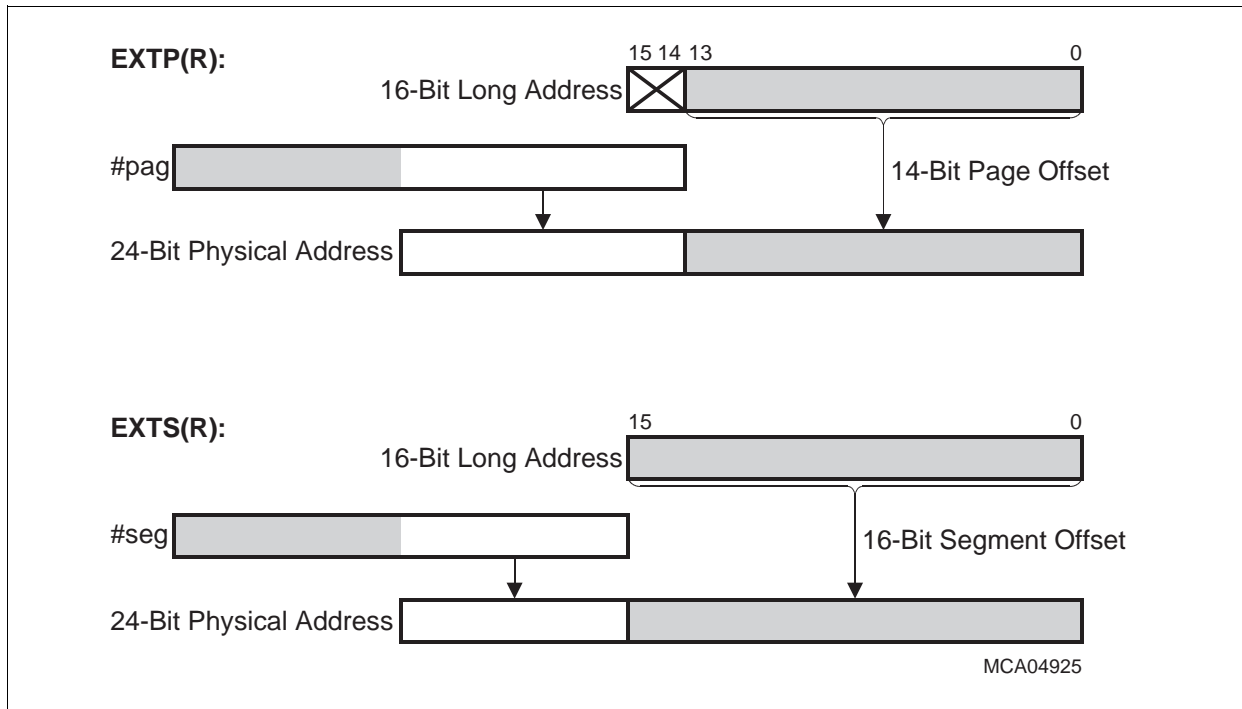


Figure 4-14 Overriding the DPP Mechanism

Note: The overriding page or segment may be specified as a constant (#pag, #seg) or via a word GPR (Rw).

Table 4-18 Long Addressing Modes

Mnemonic	Base Address <sup>1)</sup>	Offset	Scope of Access
mem	(DPPx)	mem ^ 3FFF <sub>H</sub>	Any Word or Byte
mem	pag	mem ^ 3FFF <sub>H</sub>	Any Word or Byte
mem	seg	mem	Any Word or Byte

1) Represents either a 10-bit data page number to be concatenated with a 14-bit offset, or an 8-bit segment number to be concatenated with a 16-bit offset.

### 4.7.3 Indirect Addressing Modes

Indirect addressing modes can be considered as a combination of short and long addressing modes. This means that the “long” 16-bit pointer is provided indirectly by the contents of a word GPR which itself is specified directly by a short 4-bit address ('Rw' = 0 ... 15).

There are indirect addressing modes, which add a constant value to the GPR contents before the long 16-bit address is calculated. Other indirect addressing modes can decrement or increment the indirect address pointers (GPR contents) by 2 or 1 (referring to words or bytes) or by the contents of the offset registers QR0 or QR1.

**Table 4-19 Generating Physical Addresses from Indirect Pointers**

Step	Executed Action	Calculation	Notes
1	Calculate the address of the indirect pointer (word GPR) from its short address	<b>GPR Address = 2 × Short Addr. [+ (CP)]</b>	see <a href="#">Table 4-17</a>
2	Pre-decrement indirect pointer ('-Rw') depending on datatype ( $\Delta = 1$ or 2 for byte or word operations)	<b>(GPR Address) = (GPR Address) - <math>\Delta</math></b>	Optional step, executed only if required by addressing mode
3	Adjust the pointer by a constant value ('Rw + const16')	<b>Pointer = (GPR Address) + Constant</b>	Optional step, executed only if required by addressing mode
4	Calculate the physical 24-bit address using the resulting pointer	<b>Physical Addr. = Page/Segment + Pointer offset</b>	Uses DPPs or page/segment override mechanisms, see <a href="#">Table 4-18</a>
5	Post-in/decrement indirect pointer ('Rw $\pm$ ') depending on datatype ( $\Delta = 1$ or 2 for byte or word operations), or depending on offset registers ( $\Delta = QRx$ ) <sup>1)</sup>	<b>(GPR Address) = (GPR Address) <math>\pm \Delta</math></b>	Optional step, executed only if required by addressing mode

1) Post-decrement and QRx-based modification is provided only for CoXXX instructions.

*Note: Some instructions only use the lowest four word GPRs (R3 ... R0) as indirect address pointers, which are specified via short 2-bit addresses in that case.*

The following indirect addressing modes are provided:







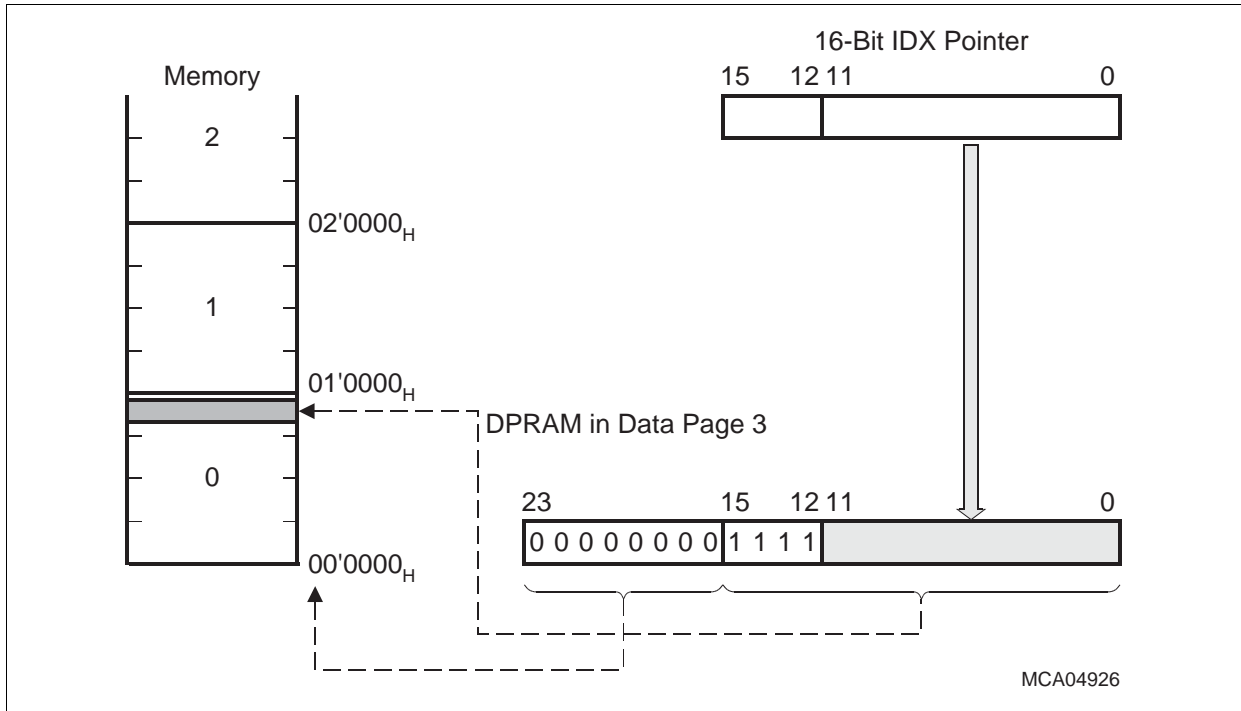


Figure 4-15 Arithmetic MAC Operations and Addressing via the IDX Pointers

Table 4-21 Generating Physical Addresses from Indirect Pointers (IDXx)

Step	Executed Action	Calculation	Notes
1	Determine the used IDXx pointer	---	—
2	Calculate an intermediate long address for the parallel data move operation and in/decrement indirect pointer ('IDXx±') by 2 ( $\Delta = 2$ ), or depending on offset registers ( $\Delta = QXx$ )	<b>Interm. Addr. = (IDXx Address) <math>\pm \Delta</math></b>	Optional step, executed only if required by instruction CoXXXM and addressing mode
3	Calculate long 16-bit address	<b>Long Address = (IDXx Pointer)</b>	—
4	Calculate the physical 24-bit address using the resulting pointer	<b>Physical Addr. = Page/Segment + Pointer offset</b>	Uses DPPs or page/segment override mechanisms, see <a href="#">Table 4-18</a> and <a href="#">Figure 4-15</a>
5	Post-in/decrement indirect pointer ('IDXx±') by 2 ( $\Delta = 2$ ), or depending on offset registers ( $\Delta = QXx$ )	<b>(IDXx Pointer) = (IDXx Pointer) <math>\pm \Delta</math></b>	Optional step, executed only if required by addressing mode



The following indirect addressing modes are provided:

**Table 4-22 DSP Addressing Modes**

<b>Mnemonic</b>	<b>Particularities</b>
[IDXx]	Most CoXXX instructions accept IDXx (IDX0, IDX1) as an indirect address pointer.
[IDXx+]	The specified indirect address pointer is automatically post-incremented by 2 after the access.
with parallel data move	In case of a CoXXXM instruction, the address stored in the specified indirect address pointer is automatically pre-decremented by 2 for the parallel move operation. The pointer itself is not pre-decremented. Then, the specified indirect address pointer is automatically post-incremented by 2 after the access.
[IDXx-]	The specified indirect address pointer is automatically post-decremented by 2 after the access.
with parallel data move	In case of a CoXXXM instruction, the address stored in the specified indirect address pointer is automatically pre-incremented by 2 for the parallel move operation. The pointer itself is not pre-incremented. Then, the specified indirect address pointer is automatically post-decremented by 2 after the access.
[IDXx + QXx]	The specified indirect address pointer is automatically post-incremented by QXx after the access.
with parallel data move	In case of a CoXXXM instruction, the address stored in the specified indirect address pointer is automatically pre-decremented by QXx for the parallel move operation. The pointer itself is not pre-decremented. Then, the specified indirect address pointer is automatically post-incremented by QXx after the access.
[IDXx - QXx]	The specified indirect address pointer is automatically post-decremented by QXx after the access.
with parallel data move	In case of a CoXXXM instruction, the address stored in the specified indirect address pointer is automatically pre-incremented by QXx for the parallel move operation. The pointer itself is not pre-incremented. Then, the specified indirect address pointer is automatically post-decremented by QXx after the access.

*Note: An example for parallel data move operations can be found in [Figure 4-16](#).*

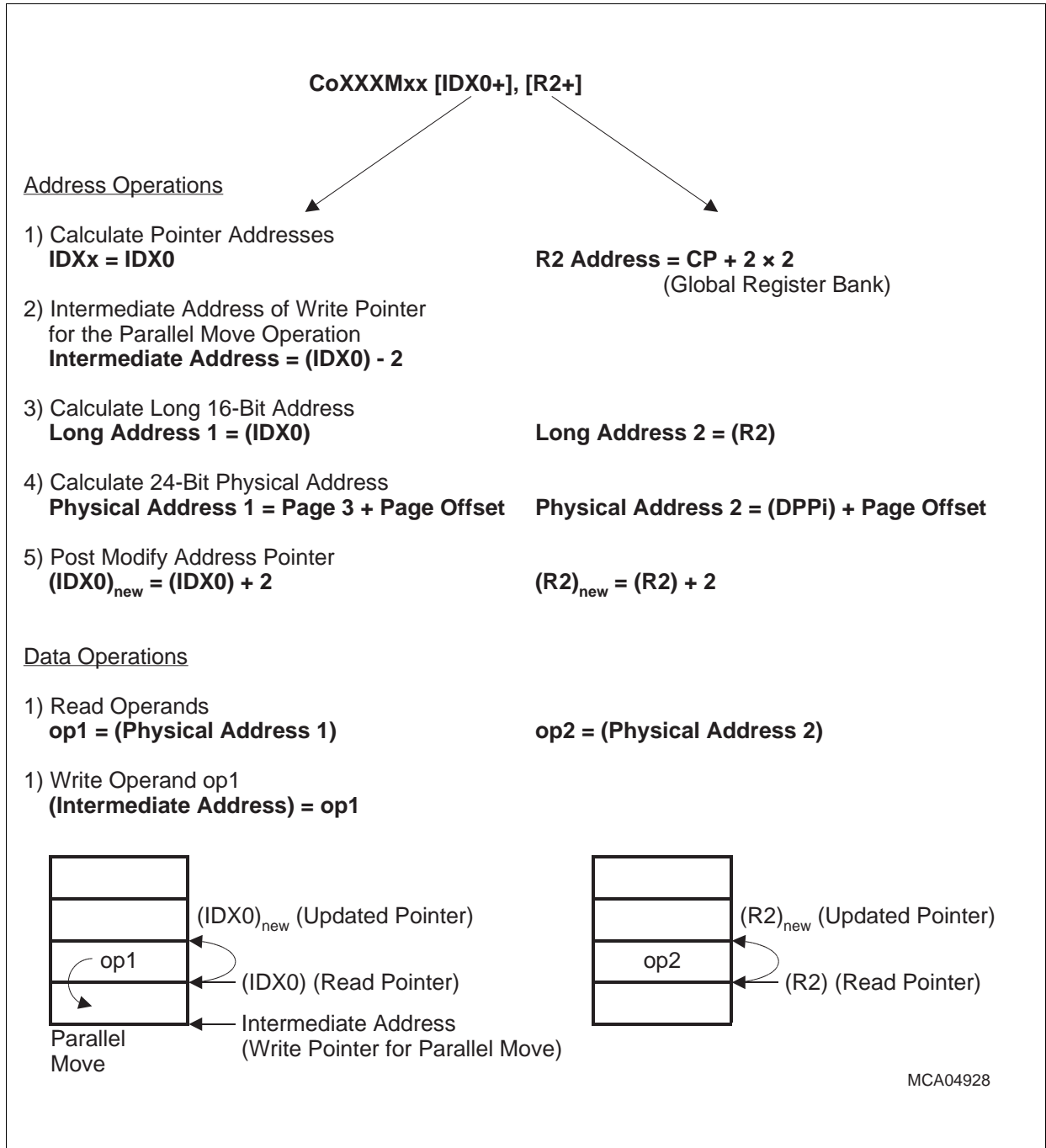
### The CoREG Addressing Mode

The CoSTORE instruction utilizes the special CoREG addressing mode for immediate storage of the MAC-Unit register after a MAC operation. The address of the MAC-Unit register is coded in the CoSTORE instruction format as described in [Table 4-23](#):

**Table 4-23 Coding of the CoREG Addressing Mode**

<b>Mnemonic</b>	<b>Register</b>	<b>Coding of wwww:w bits [31:27]</b>
MSW	MAC-Unit Status Word	00000
MAH	MAC-Unit Accumulator High Word	00001
MAS	Limited MAC-Unit Accumulator High Word	00010
MAL	MAC-Unit Accumulator Low Word	00100
MCW	MAC-Unit Control Word	00101
MRW	MAC-Unit Repeat Word	00110

The example in [Figure 4-16](#) shows the complex operation of CoXXXM instructions with a parallel move operation based on the descriptions about addressing modes given in [Section 4.7.3 \(Indirect Addressing Modes\)](#) and [Section 4.7.4 \(DSP Addressing Modes\)](#).



**Figure 4-16 Arithmetic MAC Operations with Parallel Move**

### 4.7.5 The System Stack

The XC2000 supports a system stack of up to 64 Kbytes. The stack can be located internally in one of the on-chip memories or externally. The 16-bit Stack Pointer register (SP) addresses the stack within a 64-Kbyte segment selected by the Stack Pointer Segment register (SPSG). A virtual stack (usually bigger than 64 Kbytes) can be implemented by software. This mechanism is supported by the Stack Overflow register STKOV and the Stack Underflow register STKUN (see descriptions below).

#### 4.7.5.1 The Stack Pointer Registers SP and SPSEG

Register SPSEG (not bitaddressable) selects the segment being used at run-time to access the system stack. The lower eight bits of register SPSEG select one of up to 256 segments of 64 Kbytes each, while the higher 8 bits are reserved for future use.

The Stack Pointer SP (not bitaddressable) points to the top of the system stack (TOS). SP is pre-decremented whenever data is pushed onto the stack, and it is post-incremented whenever data is popped from the stack. Therefore, the system stack grows from higher towards lower memory locations.

System stack addresses are generated by directly extending the 16-bit contents of register SP by the contents of register SPSEG, as shown in [Figure 4-17](#).

The system stack cannot cross a 64-Kbyte segment boundary.

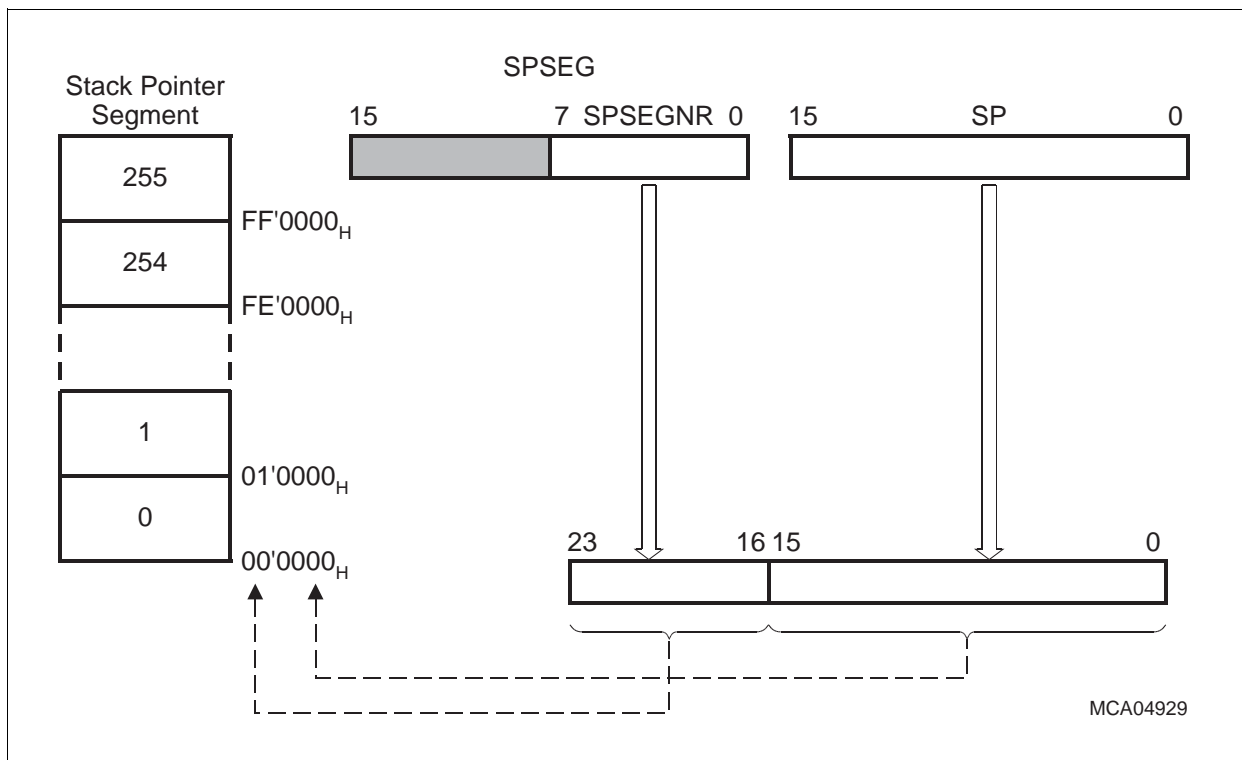


Figure 4-17 Addressing via the Stack Pointer

**SP**

**Stack Pointer Register**

**SFR (FE12<sub>H</sub>/09<sub>H</sub>)**

**Reset Value: FC00<sub>H</sub>**

15	14	13	12	11	10	9	8	7	6	5	4	3	2	1	0
<b>sp</b>															
rwh															
<b>0</b>															
r															

Field	Bits	Type	Description
<b>sp</b>	[15:1]	rwh	<b>Modifiable Portion of Register SP</b> Specifies the top of the system stack.

**SPSEG**

**Stack Pointer Segment**

**SFR (FF0C<sub>H</sub>/86<sub>H</sub>)**

**Reset Value: 0000<sub>H</sub>**

15	14	13	12	11	10	9	8	7	6	5	4	3	2	1	0
-	-	-	-	-	-	-	-	<b>SPSEGNR</b>							
-	-	-	-	-	-	-	-	rw							

Field	Bits	Type	Description
<b>SPSEGNR</b>	[7:0]	rw	<b>Stack Pointer Segment Number</b> Specifies the segment where the stack is located.

*Note: SPSEG and SP can be updated via any instruction capable of modifying a 16-bit SFR. Due to the internal instruction pipeline, a write operation to SPSEG or SP stalls the instruction flow until the register is really updated. The instruction immediately following the instruction updating SPSEG or SP can use the new value. Extreme care should be taken when changing the contents of the stack pointer registers. Improper changes may result in erroneous system behavior.*

#### 4.7.5.2 The Stack Overflow/Underflow Pointers STKOV/STKUN

These limit registers (not bit-addressable) supervise the stack pointer. A trap is generated when the stack pointer reaches its upper or lower limit. The Stack Pointer Segment Register SPSG is not taken into account for the stack pointer comparison. The system stack cannot cross a 64-Kbyte segment.

STKOV is compared with SP before each implicit write operation which decrements the contents of SP (instructions CALLA, CALLI, CALLR, CALLS, PCALL, TRAP, SCXT, or PUSH). If the contents of SP are equal to the contents of STKOV a stack overflow trap is triggered.

STKUN is compared with SP before each implicit read operation which increments the contents of SP (instructions RET, RETS, RETP, RETI, or POP). If the contents of SP are equal to the contents of STKUN a stack underflow trap is triggered.

The Stack Overflow/Underflow Traps may be used in two different ways:

- **Fatal error indication** treats the stack overflow as a system error and executes the associated trap service routine.  
In case of a stack overflow trap, data in the bottom of the stack may have been overwritten by the status information stacked upon servicing the trap itself.
- **Virtual stack control** allows the system stack to be used as a 'Stack Cache' for a bigger external user stack: flush cache in case of an overflow, refill cache in case of an underflow.

#### Scope of Stack Limit Control

The stack limit control implemented by the register pair STKOV and STKUN detects cases in which the Stack Pointer (SP) crosses the defined stack area as a result of an implicit change.

If the stack pointer was explicitly changed as a result of move or arithmetic instruction, SP is not compared to the contents of STKOV and STKUN. In this case, a stack violation will not be detected if the modified stack pointer is on or outside the defined limits, i.e. below (STKOV) or above (STKUN). Stack overflow/underflow is detected only in case of implicit SP modification.

SP may be operated outside the permitted SP range without triggering a trap. However, if SP reaches the limit of the permitted SP range from outside the range as a result of an implicit change (PUSH or POP, for example), the respective trap will be triggered.

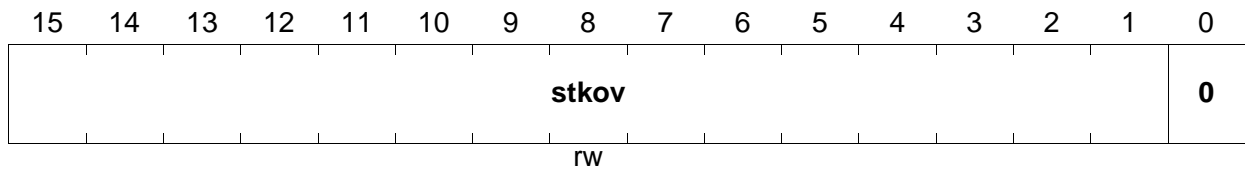
*Note: STKOV and STKUN can be updated via any instruction capable of modifying an SFR. If a stack overflow or underflow event occurs in an ATOMIC/EXT sequence, the stack operations that are part of the sequence are completed. The trap is issued after the completion of the entire ATOMIC/EXT sequence.*

**STKOV**

Stack Overflow Reg.

SFR (FE14<sub>H</sub>/0A<sub>H</sub>)

Reset Value: FA00<sub>H</sub>



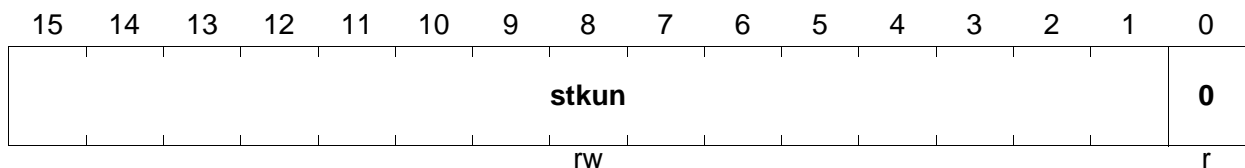
Field	Bits	Type	Description
stkov	[15:1]	rw	<b>Modifiable Portion of Register STKOV</b> Specifies the segment offset address of the lower limit of the system stack.

**STKUN**

Stack Underflow Reg.

SFR (FE16<sub>H</sub>/0B<sub>H</sub>)

Reset Value: FC00<sub>H</sub>



Field	Bits	Type	Description
stkun	[15:1]	rw	<b>Modifiable Portion of Register STKUN</b> Specifies the segment offset address of the upper limit of the system stack.

## 4.8 Standard Data Processing

All standard arithmetic, shift-, and logical operations are performed in the 16-bit ALU. In addition to the standard functions, the ALU of the XC2000 includes a bit-manipulation unit and a multiply and divide unit. Most internal execution blocks have been optimized to perform operations on either 8-bit or 16-bit numbers. After the pipeline has been filled, most instructions are completed in one CPU cycle. The status flags are automatically updated in register PSW after each ALU operation and reflect the current state of the microcontroller. These flags allow branching upon specific conditions. Support of both signed and unsigned arithmetic is provided by the user selectable branch test. The status flags are also preserved automatically by the CPU upon entry into an interrupt or trap routine. Another group of bits represents the current CPU interrupt status. Two separate bits (USR0 and USR1) are provided as general purpose flags.

### PSW

#### Processor Status Word

#### SFR

Reset Value: 0000<sub>H</sub>

15	14	13	12	11	10	9	8	7	6	5	4	3	2	1	0
<b>ILVL</b>				<b>IEN</b>	<b>HLD EN</b>	<b>BANK</b>		<b>USR 1</b>	<b>USR 0</b>	<b>MUL IP</b>	<b>E</b>	<b>Z</b>	<b>V</b>	<b>C</b>	<b>N</b>
rwh				rw	rw	rwh		rwh	rwh	r	rwh	rwh	rwh	rwh	rwh

Field	Bits	Type	Description
<b>ILVL</b>	[15:12]	rwh	<b>CPU Priority Level</b> 0H Lowest Priority ... .. FH Highest Priority
<b>IEN</b>	11	rw	<b>Global Interrupt/PEC Enable Bit</b> 0 Interrupt/PEC requests are disabled 1 Interrupt/PEC requests are enabled
<b>HLDEN</b>	10	rw	<b>Hold Enable</b> 0 External bus arbitration disabled 1 External bus arbitration enabled <i>Note: The selected arbitration mode is activated when HLDEN is set for the first time.</i>
<b>BANK</b>	[9:8]	rwh	<b>Reserved for Register File Bank Selection</b> 00 Global register bank 01 Reserved 10 Local register bank 1 11 Local register bank 2



Field	Bits	Type	Description
USR1	7	rwh	<b>General Purpose Flag</b> May be used by application
USR0	6	rwh	<b>General Purpose Flag</b> May be used by application
MULIP	5	r	<b>Multiplication/Division in Progress</b> <i>Note: Always set to 0 (MUL/DIV not interruptible), for compatibility with existing software.</i>
E	4	rwh	<b>End of Table Flag</b> 0 Source operand is neither 8000H nor 80H 1 Source operand is 8000H or 80H
Z	3	rwh	<b>Zero Flag</b> 0 ALU result is not zero 1 ALU result is zero
V	2	rwh	<b>Overflow Flag</b> 0 No Overflow produced 1 Overflow produced
C	1	rwh	<b>Carry Flag</b> 0 No carry/borrow bit produced 1 Carry/borrow bit produced
N	0	rwh	<b>Negative Result</b> 0 ALU result is not negative 1 ALU result is negative

### ALU/MAC Status (N, C, V, Z, E, USR0, USR1)

The condition flags (N, C, V, Z, E) within the PSW indicate the ALU status after the most recently performed ALU operation. They are set by most of the instructions according to specific rules which depend on the ALU or data movement operation performed by an instruction.

After execution of an instruction which explicitly updates the PSW register, the condition flags cannot be interpreted as described below because any explicit write to the PSW register supersedes the condition flag values which are implicitly generated by the CPU. Explicitly reading the PSW register supplies a read value which represents the state of the PSW register after execution of the immediately preceding instruction.

*Note: After reset, all of the ALU status bits are cleared.*

**N-Flag:** For most of the ALU operations, the N-flag is set to 1, if the most significant bit of the result contains a 1; otherwise, it is cleared. In the case of integer operations, the N-flag can be interpreted as the sign bit of the result (negative: N = 1, positive: N = 0).

Negative numbers are always represented as the 2's complement of the corresponding positive number. The range of signed numbers extends from  $-8000_H$  to  $+7FFF_H$  for the word data type, or from  $-80_H$  to  $+7F_H$  for the byte data type. For Boolean bit operations with only one operand, the N-flag represents the previous state of the specified bit. For Boolean bit operations with two operands, the N-flag represents the logical XORing of the two specified bits.

**C-Flag:** After an addition, the C-flag indicates that a carry from the most significant bit of the specified word or byte data type has been generated. After a subtraction or a comparison, the C-flag indicates a borrow which represents the logical negation of a carry for the addition.

This means that the C-flag is set to 1, if **no** carry from the most significant bit of the specified word or byte data type has been generated during a subtraction, which is performed internally by the ALU as a 2's complement addition, and, the C-flag is cleared when this complement addition caused a carry.

The C-flag is always cleared for logical, multiply and divide ALU operations, because these operations cannot cause a carry.

For shift and rotate operations, the C-flag represents the value of the bit shifted out last. If a shift count of zero is specified, the C-flag will be cleared. The C-flag is also cleared for a prioritize ALU operation, because a 1 is never shifted out of the MSB during the normalization of an operand.

For Boolean bit operations with only one operand, the C-flag is always cleared. For Boolean bit operations with two operands, the C-flag represents the logical ANDing of the two specified bits.

**V-Flag:** For addition, subtraction, and 2's complementation, the V-flag is always set to 1 if the result exceeds the range of 16-bit signed numbers for word operations ( $-8000_H$  to  $+7FFF_H$ ), or 8-bit signed numbers for byte operations ( $-80_H$  to  $+7F_H$ ). Otherwise, the V-flag is cleared. Note that the result of an integer addition, integer subtraction, or 2's complement is not valid if the V-flag indicates an arithmetic overflow.

For multiplication and division, the V-flag is set to 1 if the result cannot be represented in a word data type; otherwise, it is cleared. Note that a division by zero will always cause an overflow. In contrast to the result of a division, the result of a multiplication is valid whether or not the V-flag is set to 1.

Because logical ALU operations cannot produce an invalid result, the V-flag is cleared by these operations.

The V-flag is also used as a 'Sticky Bit' for rotate right and shift right operations. With only using the C-flag, a rounding error caused by a shift right operation can be estimated up to a quantity of one half of the LSB of the result. In conjunction with the V-flag, the C-flag allows evaluation of the rounding error with a finer resolution (see [Table 4-24](#)).

For Boolean bit operations with only one operand, the V-flag is always cleared. For Boolean bit operations with two operands, the V-flag represents the logical ORing of the two specified bits.

**Table 4-24 Shift Right Rounding Error Evaluation**

C-Flag	V-Flag	Rounding Error Quantity
0	0	No rounding error
0	1	$0 < \text{Rounding error} < \frac{1}{2} \text{ LSB}$
1	0	Rounding error = $\frac{1}{2} \text{ LSB}$
1	1	Rounding error $> \frac{1}{2} \text{ LSB}$

**Z-Flag:** The Z-flag is normally set to 1 if the result of an ALU operation equals zero, otherwise it is cleared.

For the addition and subtraction with carry, the Z-flag is only set to 1, if the Z-flag already contains a 1 and the result of the current ALU operation also equals zero. This mechanism is provided to support multiple precision calculations.

For Boolean bit operations with only one operand, the Z-flag represents the logical negation of the previous state of the specified bit. For Boolean bit operations with two operands, the Z-flag represents the logical NORing of the two specified bits. For the prioritize ALU operation, the Z-flag indicates whether the second operand was zero.

**E-Flag:** End of table flag. The E-flag can be altered by instructions which perform ALU or data movement operations. The E-flag is cleared by those instructions which cannot be reasonably used for table search operations. In all other cases, the E-flag value depends on the value of the source operand to signify whether the end of a search table is reached or not. If the value of the source operand of an instruction equals the lowest negative number which is representable by the data format of the corresponding instruction ( $8000_{\text{H}}$  for the word data type, or  $80_{\text{H}}$  for the byte data type), the E-flag is set to 1; otherwise, it is cleared.

### General Control Functions (USR0, USR1, BANK, HLDEN)

A few bits in register PSW are dedicated to general control functions. Thus, they are saved and restored automatically upon task switches and interrupts.

**USR0/USR1-Flags:** These bits can be set automatically during the execution of repeated MAC instructions. These bits can also be used as general flags by an application.

**BANK:** Bitfield BANK selects the currently active register bank (local or global). Bitfield BANK is updated implicitly by hardware upon entering an interrupt service routine, and by a RETI instruction. It can be also modified explicitly via software by any instruction which can write to PSW.

**HLDEN:** Setting this bit for the first time activates the selected bus arbitration mode (see [Section 9.3.9](#)). Bus arbitration can be disabled by temporarily clearing bit HLDEN. In this case the bus is locked, while the bus arbitration mode remains selected.

**CPU Interrupt Status (IEN, ILVL)**

**IEN:** The Interrupt Enable bit allows interrupts to be globally enabled (IEN = 1) or disabled (IEN = 0).

**ILVL:** The four-bit Interrupt Level field (ILVL) specifies the priority of the current CPU activity. The interrupt level is updated by hardware on entry into an interrupt service routine, but it can also be modified via software to prevent other interrupts from being acknowledged. If an interrupt level 15 has been assigned to the CPU, it has the highest possible priority; thus, the current CPU operation cannot be interrupted except by hardware traps or external non-maskable interrupts. For details refer to [Chapter 5](#).

After reset, all interrupts are globally disabled, and the lowest priority (ILVL = 0) is assigned to the initial CPU activity.

**4.8.1 16-bit Adder/Subtractor, Barrel Shifter, and 16-bit Logic Unit**

All standard arithmetic and logical operations are performed by the 16-bit ALU. In case of byte operations, signals from bits 6 and 7 of the ALU result are used to control the condition flags. Multiple precision arithmetic is supported by a “CARRY-IN” signal to the ALU from previously calculated portions of the desired operation.

A 16-bit barrel shifter provides multiple bit shifts in a single cycle. Rotations and arithmetic shifts are also supported.

**4.8.2 Bit Manipulation Unit**

The XC2000 offers a large number of instructions for bit processing. These instructions either manipulate software flags within the internal RAM, control on-chip peripherals via control bits in their respective SFRs, or control IO functions via port pins.

Unlike other microcontrollers, the XC2000 features instructions that provide direct access to two operands in the bit addressable space without requiring them to be moved to temporary locations. Multiple bit shift instructions have been included to avoid long instruction streams of single bit shift operations. These instructions require a single CPU cycle.

The instructions BSET, BCLR, BAND, BOR, BXOR, BMOV, BMOVN explicitly set or clear specific bits. The bitfield instructions BFLDL and BFLDH allow manipulation of up to 8 bits of a specific byte at one time. The instructions JBC and JNBS implicitly clear or set the specified bit when the jump is taken. The instructions JB and JNB (also conditional jump instructions that refer to flags) evaluate the specified bit to determine if the jump is to be taken.

*Note: Bit operations on undefined bit locations will always read a bit value of ‘0’, while the write access will not affect the respective bit location.*

All instructions that manipulate single bits or bit groups internally use a read-modify-write sequence that accesses the whole word containing the specified bit(s).

This method has several consequences:

- The read-modify-write approach may be critical with hardware-affected bits. In these cases, the hardware may change specific bits while the read-modify-write operation is in progress; thus, the writeback would overwrite the new bit value generated by the hardware. The solution is provided by either the implemented hardware protection (see below) or through special programming (see [Section 4.3](#)).
- Bits can be modified only within the internal address areas (internal RAM and SFRs). External locations cannot be used with bit instructions.

The upper 256 bytes of SFR area, ESFR area, and internal DPRAM are bit-addressable; so, the register bits located within those respective sections can be manipulated directly using bit instructions. The other SFRs must be accessed byte/word wise.

*Note: All GPRs are bit-addressable independently from the allocation of the register bank via the Context Pointer (CP). Even GPRs which are allocated to non-bit-addressable RAM locations provide this feature.*

**Protected bits** are not changed during the read-modify-write sequence, such as when hardware sets an interrupt request flag between the read and the write of the read-modify-write sequence. The hardware protection logic guarantees that only the intended bit(s) is/are affected by the write-back operation.

*Note: If a conflict occurs between a bit manipulation generated by hardware and an intended software access, the software access has priority and determines the final value of the respective bit.*

### 4.8.3 Multiply and Divide Unit

The XC2000's multiply and divide unit has two separated parts. One is the fast 16 × 16-bit multiplier that executes a multiplication in one CPU cycle. The other one is a division sub-unit which performs the division algorithm in 18 ... 21 CPU cycles (depending on the data and division types). The divide instruction requires four CPU cycles to be executed. For performance reasons, the rest of the division algorithm runs in the background during the following seventeen CPU cycles, while further instructions are executed in parallel. Interrupt tasks can also be started and executed immediately without any delay. If an instruction (from the original instruction stream or from the interrupt task) tries to use the unit while a division is still running, the execution of this new instruction is stalled until the previous division is finished.

To avoid these stalls, the multiply and division unit should not be used during the first fourteen CPU cycles of the interrupt tasks. For example, this requires up to fourteen one-cycle instructions to be executed between the interrupt entry and the first instruction which uses the multiply and divide unit again (worst case).

Multiplications and divisions implicitly use the 32-bit multiply/divide register MD (represented by the concatenation of the two non-bit-addressable data registers MDH and MDL) and the associated control register MDC. This bit-addressable 16-bit register is implicitly used by the CPU when it performs a division or multiplication in the ALU.

After a multiplication, MD represents the 32-bit result. For long divisions, MD must be loaded with the 32-bit dividend before the division is started. After any division, register MDH represents the 16-bit remainder, register MDL represents the 16-bit quotient.

#### MDH

**Multiply/Divide High Reg.                      SFR (FE0C<sub>H</sub>/06<sub>H</sub>)                      Reset Value: 0000<sub>H</sub>**



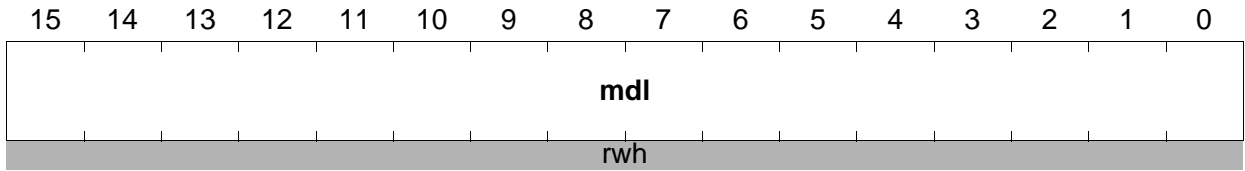
Field	Bits	Type	Description
mdh	[15:0]	rwh	<b>High Part of MD</b> The high order sixteen bits of the 32-bit multiply and divide register MD.

Preliminary

Central Processing Unit (CPU)

**MDL**

**Multiply/Divide Low Reg.                      SFR (FE0E<sub>H</sub>/07<sub>H</sub>)                      Reset Value: 0000<sub>H</sub>**

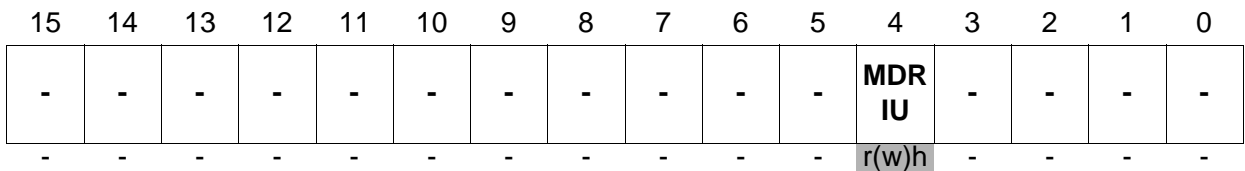


Field	Bits	Type	Description
<b>mdl</b>	[15:0]	rwh	<b>Low Part of MD</b> The low order sixteen bits of the 32-bit multiply and divide register MD.

Whenever MDH or MDL is updated via software, the Multiply/Divide Register In Use flag (MDRIU) in the Multiply/Divide Control register (MDC) is set to '1'. The MDRIU flag is cleared, whenever register MDL is read via software.

**MDC**

**Multiply/Divide Control Reg.                      SFR (FF0E<sub>H</sub>/87<sub>H</sub>)                      Reset Value: 0000<sub>H</sub>**



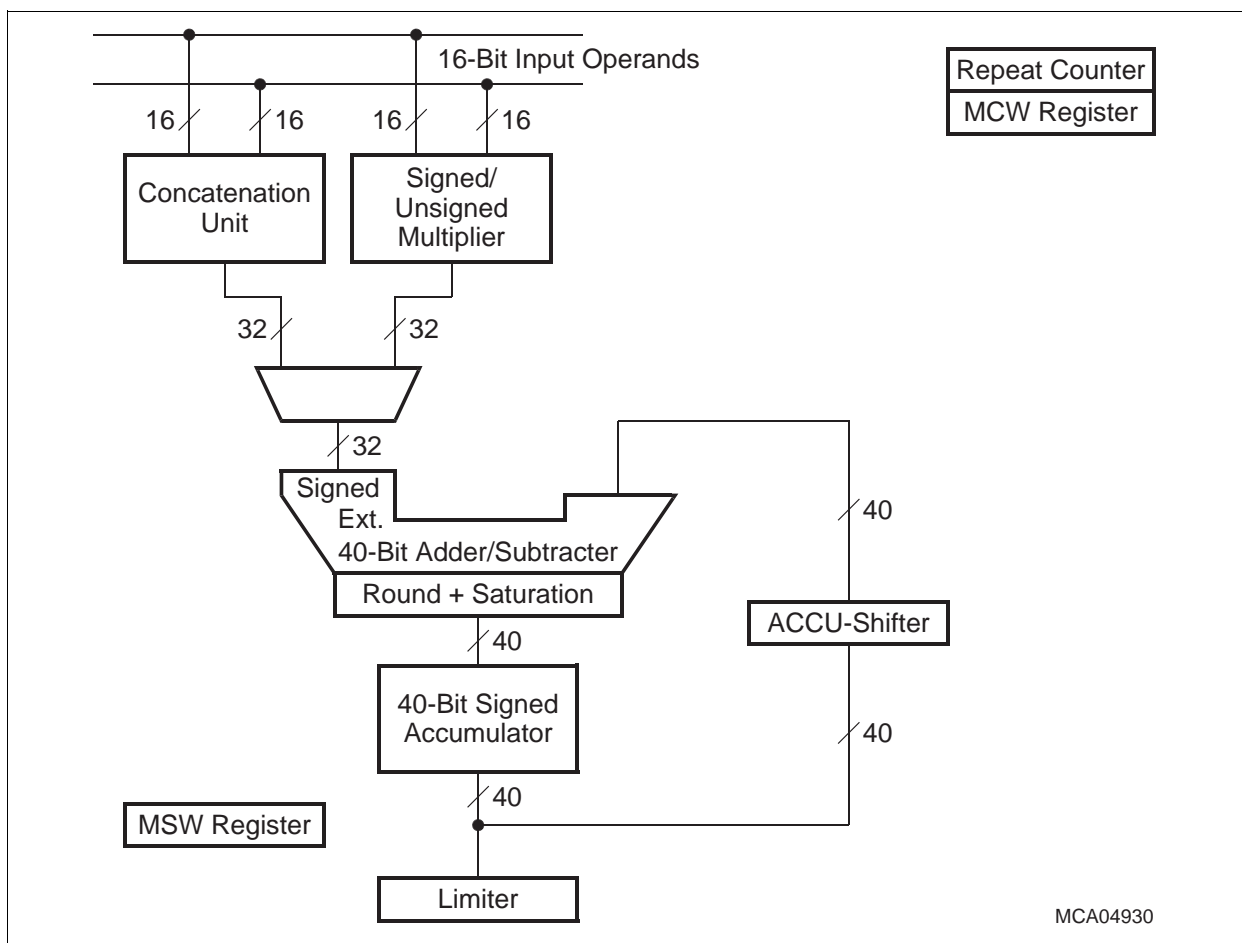
Field	Bits	Type	Description
<b>MDRIU</b>	4	rwh	<b>Multiply/Divide Register In Use</b> 0    Cleared when MDL is read via software. 1    Set when MDL or MDH is written via software, or when a multiply or divide instruction is executed.

*Note: The MDRIU flag indicates the usage of register MD (MDL and MDH). In this case MD must be saved prior to a new multiplication or division operation.*

## 4.9 DSP Data Processing (MAC Unit)

The new CoXXX arithmetic instructions are performed in the MAC unit. The MAC unit provides single-instruction-cycle, non-pipelined, 32-bit additions; 32-bit subtraction; right and left shifts; 16-bit by 16-bit multiplication; and multiplication with cumulative subtraction/addition. The MAC unit includes the following major components, shown in **Figure 4-18**:

- 16-bit by 16-bit signed/unsigned multiplier with signed result<sup>1)</sup>
- Concatenation Unit
- Scaler (one-bit left shifter) for fractional computing
- 40-bit Adder/Subtractor
- 40-bit Signed Accumulator
- Data Limiter
- Accumulator Shifter
- Repeat Counter



**Figure 4-18 Functional MAC Unit Block Diagram**

1) The same hardware-multiplier is used in the ALU.



### 4.9.1 MAC Unit Control

The working register of the MAC unit is a dedicated 40-bit accumulator register. A set of consistent flags is automatically updated in status register MSW after each MAC operation. These flags allow branching on specific conditions. Unlike the PSW flags, these flags are not preserved automatically by the CPU upon entry into an interrupt or trap routine. All dedicated MAC registers must be saved on the stack if the MAC unit is shared between different tasks and interrupts. General properties of the MAC unit are selected via the MAC control word MCW.

#### MCW

MAC Control Word					SFR (FFDC <sub>H</sub> /EE <sub>H</sub> )						Reset Value: 0000 <sub>H</sub>				
15	14	13	12	11	10	9	8	7	6	5	4	3	2	1	0
-	-	-	-	-	<b>MP</b>	<b>MS</b>	-	-	-	-	-	-	-	-	-
-	-	-	-	-	rw	rw	-	-	-	-	-	-	-	-	-

Field	Bits	Type	Description
<b>MP</b>	10	rw	<b>One-Bit Scaler Control</b> 0 Multiplier product shift disabled 1 Multiplier product shift enabled for signed multiplications
<b>MS</b>	9	rw	<b>Saturation Control</b> 0 Saturation disabled 1 Saturation to 32-bit value enabled

### 4.9.2 Representation of Numbers and Rounding

The XC2000 supports the 2's complement representation of binary numbers. In this format, the sign bit is the MSB of the binary word. This is set to zero for positive numbers and set to one for negative numbers. Unsigned numbers are supported only by multiply/multiply-accumulate instructions which specify whether each operand is signed or unsigned.

In 2's complement fractional format, the N-bit operand is represented using the 1.[N-1] format (1 signed bit, N-1 fractional bits). Such a format can represent numbers between -1 and +1 - 2<sup>-(N-1)</sup>. This format is supported when bit MP of register MCW is set.

The XC2000 implements 2's complement rounding. With this rounding type, one is added to the bit to the right of the rounding point (bit 15 of MAL), before truncation (MAL is cleared).

### **4.9.3 The 16-bit by 16-bit Signed/Unsigned Multiplier and Scaler**

The multiplier executes 16-bit by 16-bit parallel signed/unsigned fractional and integer multiplication in one CPU-cycle. The multiplier allows the multiplication of unsigned and signed operands. The result is always presented in a signed fractional or integer format. The result of the multiplication feeds a one-bit scaler to allow compensation for the extra sign bit gained in multiplying two 16-bit 2's complement numbers.

### **4.9.4 Concatenation Unit**

The concatenation unit enables the MAC unit to perform 32-bit arithmetic operations in one CPU cycle. The concatenation unit concatenates two 16-bit operands to a 32-bit operand before the 32-bit arithmetic operation is executed in the 40-bit adder/subtractor. The second required operand is always the current accumulator contents. The concatenation unit is also used to pre-load the accumulator with a 32-bit value.

### **4.9.5 One-bit Scaler**

The one-bit scaler can shift the result of the concatenation unit or the output of the multiplier one bit to the left. The scaler is controlled by the executed instruction for the concatenation or by control bit MP in register MCW.

If bit MP is set the product is shifted one bit to the left to compensate for the extra sign bit gained in multiplying two 16-bit 2's-complement numbers. The enabled automatic shift is performed only if both input operands are signed.

### **4.9.6 The 40-bit Adder/Subtractor**

The 40-bit Adder/Subtractor allows intermediate overflows in a series of multiply/accumulate operations. The Adder/Subtractor has two input ports. The 40-bit port is the feedback of the accumulator output through the ACCU-Shifter to the Adder/Subtractor. The 32-bit port is the input port for the operand coming from the one-bit Scaler. The 32-bit operands are signed and extended to 40 bits before the addition/subtraction is performed.

The output of the Adder/Subtractor goes to the accumulator. It is also possible to round the result and to saturate it on a 32-bit value automatically after every accumulation. The round operation is performed by adding  $00'0000'8000_H$  to the result. Automatic saturation is enabled by setting the saturation control bit MS in register MCW.

When the accumulator is in the overflow saturation mode and an overflow occurs, the accumulator is loaded with either the most positive or the most negative value representable in a 32-bit value, depending on the direction of the overflow as well as on the arithmetic used. The value of the accumulator upon saturation is either  $00'7FFF'FFFF_H$  (positive) or  $FF'8000'0000_H$  (negative).

### 4.9.7 The Data Limiter

Saturation arithmetic is also provided to selectively limit overflow when reading the accumulator by means of a **CoSTORE <destination>**, **MAS** instruction. Limiting is performed on the MAC-Unit accumulator. If the contents of the accumulator can be represented in the destination operand size without overflow, then the data limiter is disabled and the operand is not modified. If the contents of the accumulator cannot be represented without overflow in the destination operand size, the limiter will substitute a “limited” data as explained in [Table 4-25](#):

**Table 4-25 Limiter Output**

ME-flag	MN-flag	Output of Limiter
0	x	unchanged
1	0	7FFF <sub>H</sub>
1	1	8000 <sub>H</sub>

*Note: In this particular case, both the accumulator and the status register are not affected. MAS is readable by means of a CoSTORE instruction only.*

### 4.9.8 The Accumulator Shifter

The accumulator shifter is a parallel shifter with a 40-bit input and a 40-bit output. The source accumulator shifting operations are:

- No shift (Unmodified)
- Up to 16-bit Arithmetic Left Shift
- Up to 16-bit Arithmetic Right Shift

Notice that bits ME, MSV, and MSL in register MSW are affected by left shifts; therefore, if the saturation mechanism is enabled (MS) the behavior is similar to the one of the Adder/Subtractor.

*Note: Certain precautions are required in case of left shift with saturation enabled. Generally, if MAE contains significant bits, then the 32-bit value in the accumulator is to be saturated. However, it is possible that left shift may move some significant bits out of the accumulator. The 40-bit result will be misinterpreted and will be either not saturated or saturated incorrectly. There is a chance that the result of left shift may produce a result which can saturate an original positive number to the minimum negative value, or vice versa.*

### 4.9.9 The 40-bit Signed Accumulator Register

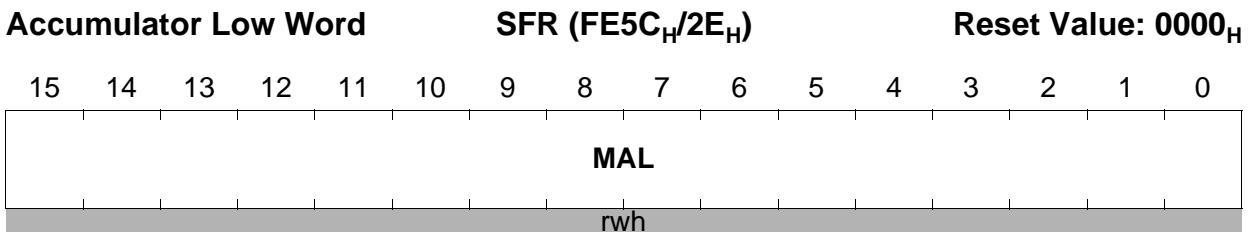
The 40-bit accumulator consists of three concatenated registers MAE, MAH, and MAL. MAE is 8 bits wide, MAH and MAL are 16 bits wide. MAE is the Most Significant Byte of the 40-bit accumulator. This byte performs a guarding function. MAE is accessed as the lower byte of register MSW.

When MAH is written, the value in the accumulator is automatically adjusted to signed extended 40-bit format. That means MAL is cleared and MAE will be automatically loaded with zeros for a positive number (the most significant bit of MAH is 0), and with ones for a negative number (the most significant bit of MAH is 1), representing the extended 40-bit negative number in 2's complement notation. One may see that the extended 40-bit value is equal to the 32-bit value without extension. In other words, after this extension, MAE does not contain significant bits. Generally, this condition is present when the highest 9 bits of the 40-bit signed result are the same.

During the accumulator operations, an overflow may happen and the result may not fit into 32 bits and MAE will change. The extension flag "E" in register MSW is set when the signed result in the accumulator has exceeded the 32-bit boundary. This condition is present when the highest 9 bits of the 40-bit signed result are not the same, i.e. MAE contains significant bits.

Most CoXXX operations specify the 40-bit accumulator register as a source and/or a destination operand.

#### MAL



Field	Bits	Type	Description
<b>MAL</b>	[15:0]	rwh	<b>Low Part of Accumulator</b> The 40-bit accumulator is completed by the accumulator high word (MAH) and bitfield MAE

Preliminary

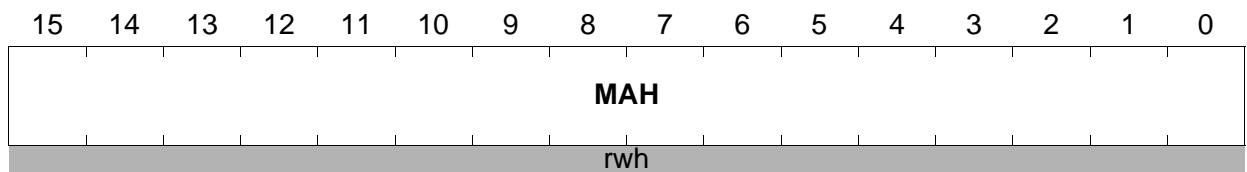
Central Processing Unit (CPU)

**MAH**

**Accumulator High Word**

**SFR (FE5E<sub>H</sub>/2F<sub>H</sub>)**

**Reset Value: 0000<sub>H</sub>**



Field	Bits	Type	Description
<b>MAH</b>	[15:0]	rwh	<b>High Part of Accumulator</b> The 40-bit accumulator is completed by the accumulator low word (MAL) and bitfield MAE

### 4.9.10 The MAC Unit Status Word MSW

The upper byte of register MSW (bit-addressable) shows the current status of the MAC Unit. The lower byte of register MSW represents the 8-bit MAC accumulator extension, building the 40-bit accumulator together with registers MAH and MAL.

#### MSW

#### MAC Status Word

#### SFR (FFDE<sub>H</sub>/EF<sub>H</sub>)

Reset Value: 0000<sub>H</sub>

15	14	13	12	11	10	9	8	7	6	5	4	3	2	1	0
-	<b>MV</b>	<b>MSL</b>	<b>ME</b>	<b>MSV</b>	<b>MC</b>	<b>MZ</b>	<b>MN</b>					<b>MAE</b>			
-	rwh	rwh	rwh	rwh	rwh	rwh	rwh					rwh			

Field	Bits	Type	Description
<b>MV</b>	14	rwh	<b>Overflow Flag</b> 0 No Overflow produced 1 Overflow produced
<b>MSL</b>	13	rwh	<b>Sticky Limit Flag</b> 0 Result was not saturated 1 Result was saturated
<b>ME</b>	12	rwh	<b>MAC Extension Flag</b> 0 MAE does not contain significant bits 1 MAE contains significant bits
<b>MSV</b>	11	rwh	<b>Sticky Overflow Flag</b> 0 No Overflow occurred 1 Overflow occurred
<b>MC</b>	10	rwh	<b>Carry Flag</b> 0 No carry/borrow produced 1 Carry/borrow produced
<b>MZ</b>	9	rwh	<b>Zero Flag</b> 0 MAC result is not zero 1 MAC result is zero
<b>MN</b>	8	rwh	<b>Negative Result</b> 0 MAC result is positive 1 MAC result is negative
<b>MAE</b>	[7:0]	rwh	<b>MAC Accumulator Extension</b> The most significant bits of the 40-bit accumulator, completing registers MAH and MAL

**MAC Unit Status (MV, MN, MZ, MC, MSV, ME, MSL)**

These condition flags indicate the MAC status resulting from the most recently performed MAC operation. These flags are controlled by the majority of MAC instructions according to specific rules. Those rules depend on the instruction managing the MAC or data movement operation.

After execution of an instruction which explicitly updates register MSW, the condition flags may no longer represent an actual MAC status. An explicit write operation to register MSW supersedes the condition flag values implicitly generated by the MAC unit. An explicit read access returns the value of register MSW after execution of the immediately preceding instruction. Register MSW can be accessed via any instruction capable of accessing an SFR.

*Note: After reset, all MAC status bits are cleared.*

**MN-Flag:** For the majority of the MAC operations, the MN-flag is set to 1 if the most significant bit of the result contains a 1; otherwise, it is cleared. In the case of integer operations, the MN-flag can be interpreted as the sign bit of the result (negative: MN = 1, positive: MN = 0). Negative numbers are always represented as the 2's complement of the corresponding positive number. The range of signed numbers extends from 80'0000'0000<sub>H</sub> to 7F'FFFF'FFFF<sub>H</sub>.

**MZ-Flag:** The MZ-flag is normally set to 1 if the result of a MAC operation equals zero; otherwise, it is cleared.

**MC-Flag:** After a MAC addition, the MC-flag indicates that a "Carry" from the most significant bit of the accumulator extension MAE has been generated. After a MAC subtraction or a MAC comparison, the MC-flag indicates a "Borrow" representing the logical negation of a "Carry" for the addition. This means that the MC-flag is set to 1 if **no** "Carry" from the most significant bit of the accumulator has been generated during a subtraction. Subtraction is performed by the MAC Unit as a 2's complement addition and the MC-flag is cleared when this complement addition caused a "Carry".

For left-shift MAC operations, the MC-flag represents the value of the bit shifted out last. Right-shift MAC operations always clear the MC-flag. The arithmetic right-shift MAC operation can set the MC-flag if the enabled round operation generates a "Carry" from the most significant bit of the accumulator extension MAE.

**MSV-Flag:** The addition, subtraction, 2's complement, and round operations always set the MSV-flag to 1 if the MAC result exceeds the maximum range of 40-bit signed numbers. If the MSV-flag indicates an arithmetic overflow, the MAC result of an operation is not valid.

The MSV-flag is a 'Sticky Bit'. Once set, other MAC operations cannot affect the status of the MSV-flag. Only a direct write operation can clear the MSV-flag.

**ME-Flag:** The ME-flag is set if the accumulator extension MAE contains significant bits, that means if the nine highest accumulator bits are not all equal.

**MSL-Flag:** The MSL-flag is set if an automatic saturation of the accumulator has happened. The automatic saturation is enabled if bit MS in register MCW is set. The MSL-Flag can be also set by instructions which limit the contents of the accumulator. If the accumulator has been limited, the MSL-Flag is set.

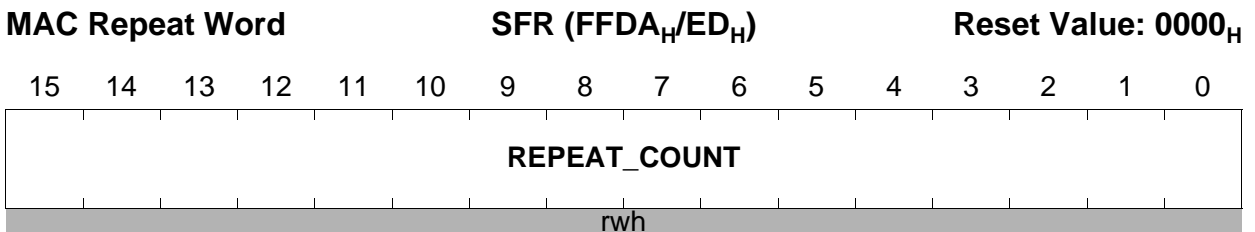
The MSL-Flag is a 'Sticky Bit'. Once set, it cannot be affected by the other MAC operations. Only a direct write operation can clear the MSL-flag.

**MV-Flag:** The addition, subtraction, and accumulation operations set the MV-flag to 1 if the result exceeds the maximum range of signed numbers (80'0000'0000<sub>H</sub> to 7F'FFFF'FFFF<sub>H</sub>); otherwise, the MV-flag is cleared. Note that if the MV-flag indicates an arithmetic overflow, the result of the integer addition, integer subtraction, or accumulation is not valid.

### 4.9.11 The Repeat Counter MRW

The Repeat Counter MRW controls the number of repetitions a loop must be executed. The register must be pre-loaded before it can be used with -USRx CoXXX operations. MAC operations are able to decrement this counter. When a -USRx CoXXX instruction is executed, MRW is checked for zero **before** being decremented. If MRW equals zero, bit USRx is set and MRW is not further decremented. Register **MRW** can be accessed via any instruction capable of accessing a SFR.

**MRW**



Field	Bits	Type	Description
<b>REPEAT_COUNT</b>	[15:0]	rwh	16-bit loop counter

All CoXXX instructions have a 3-bit wide repeat control field 'rrr' (bit positions [31:29]) in the operand field to control the MRW repeat counter. [Table 4-26](#) lists the possible encodings.



**Table 4-26 Encoding of MAC Repeat Word Control**

Code in 'rrr'	Effect on Repeat Counter
000 <sub>B</sub>	regular CoXXX instruction
001 <sub>B</sub>	RESERVED
010 <sub>B</sub>	'-USR0 CoXXX' instruction, decrements repeat counter and sets bit USR0 if MRW is zero
011 <sub>B</sub>	'-USR1 CoXXX' instruction, decrements repeat counter and sets bit USR1 if MRW is zero
1XX <sub>B</sub>	RESERVED

*Note: Bit USR0 has been a general purpose flag also in previous architectures. To prevent collisions due to using this flag by programmer or compiler, use '-USR0 CoXXX' instructions very carefully.*

The following example shows a loop which is executed 20 times. Every time the CoMACM instruction is executed, the MRW counter is decremented.

```

MOV    MRW, #19           ;Pre-load loop counter
loop01:
-USR1  CoMACM [IDX0+], [R0+] ;Calculate and decrement MSW
      ADD    R2,#0002H
      JMPA   cc_nusr1, loop01 ;Repeat loop until USR1 is set

```

*Note: Because correctly predicted JMPA is executed in 0-cycle, it offers the functionality of a repeat instruction.*

## 4.10 Constant Registers

All bits of these bit-addressable registers are fixed to 0 or 1 by hardware. These registers can be read only. Register ZEROS/ONES can be used as a register-addressable constant of all zeros or all ones, for example for bit manipulation or mask generation. The constant registers can be accessed via any instruction capable of addressing an SFR.

### ZEROS

#### Zeros Register

SFR (FF1C<sub>H</sub>/8E<sub>H</sub>)

Reset Value: 0000<sub>H</sub>

15	14	13	12	11	10	9	8	7	6	5	4	3	2	1	0
0	0	0	0	0	0	0	0	0	0	0	0	0	0	0	0
r	r	r	r	r	r	r	r	r	r	r	r	r	r	r	r

Field	Bits	Type	Description
0	[15:0]	r	Constant Zero Bit

### ONES

#### Ones Register

SFR (FF1E<sub>H</sub>/8F<sub>H</sub>)

Reset Value: FFFF<sub>H</sub>

15	14	13	12	11	10	9	8	7	6	5	4	3	2	1	0
1	1	1	1	1	1	1	1	1	1	1	1	1	1	1	1
r	r	r	r	r	r	r	r	r	r	r	r	r	r	r	r

Field	Bits	Type	Description
1	[15:0]	r	Constant One Bit

## **5 Interrupt and Trap Functions**

The architecture of the XC2000 supports several mechanisms for fast and flexible response to service requests from various sources internal or external to the microcontroller. Different kinds of exceptions are handled in a similar way:

- Interrupts generated by the Interrupt Controller (ITC)
- DMA transfers issued by the Peripheral Event Controller (PEC)
- Traps caused by the TRAP instruction or issued by faults or specific system states

### **Normal Interrupt Processing**

The CPU temporarily suspends current program execution and branches to an interrupt service routine to service an interrupt requesting device. The current program status (IP, PSW, also CSP in segmentation mode) is saved on the internal system stack. A prioritization scheme with 16 priority levels allows the user to specify the order in which multiple interrupt requests are to be handled.

### **Interrupt Processing via the Peripheral Event Controller (PEC)**

A faster alternative to normal software controlled interrupt processing is servicing an interrupt requesting device with the XC2000's integrated Peripheral Event Controller (PEC). Triggered by an interrupt request, the PEC performs a single word or byte data transfer between any two locations through one of eight programmable PEC Service Channels. During a PEC transfer, normal program execution of the CPU is halted. No internal program status information needs to be saved. The same prioritization scheme is used for PEC service as for normal interrupt processing.

### **Trap Functions**

Trap functions are activated in response to special conditions that occur during the execution of instructions. A trap can also be caused externally via the External Service Request pins, ESRx. Several hardware trap functions are provided to handle erroneous conditions and exceptions arising during instruction execution. Hardware traps always have highest priority and cause immediate system reaction. The software trap function is invoked by the TRAP instruction that generates a software interrupt for a specified interrupt vector. For all types of traps, the current program status is saved on the system stack.

### **External Interrupt Processing**

Although the XC2000 does not provide dedicated interrupt pins, it allows connection of external interrupt sources and provides several mechanisms to react to external events including standard inputs, non-maskable interrupts, and fast external interrupts. Except for the non-maskable interrupt and the reset input, these interrupt functions are alternate port functions.

## **5.1 Interrupt System Structure**

The XC2000 provides 96 separate interrupt nodes assignable to 16 priority levels, with 8 sub-levels (group priority) on each level. In order to support modular and consistent software design techniques, most sources of an interrupt or PEC request are supplied with a separate interrupt control register and an interrupt vector. The control register contains the interrupt request flag, the interrupt enable bit, and the interrupt priority of the associated source. Each source request is then activated by one specific event, determined by the selected operating mode of the respective device. For efficient resource usage, multi-source interrupt nodes are also incorporated. These nodes can be activated by several source requests, such as by different kinds of errors in the serial interfaces. However, specific status flags which identify the type of error are implemented in the serial channels' control registers. Additional sharing of interrupt nodes is supported via interrupt subnode control registers.

The XC2000 provides a vectored interrupt system. In this system specific vector locations in the memory space are reserved for the reset, trap, and interrupt service functions. Whenever a request occurs, the CPU branches to the location that is associated with the respective interrupt source. This allows direct identification of the source which caused the request. The Class B hardware traps all share the same interrupt vector. The status flags in the Trap Flag Register (TFR) can then be used to determine which exception caused the trap. For the special software TRAP instruction, the vector address is specified by the operand field of the instruction, which is a seven bit trap number.

The reserved vector locations build a jump table in the low end of a segment (selected by register VECSEG) in the XC2000's address space. The jump table consists of the appropriate jump instructions which transfer control to the interrupt or trap service routines and which may be located anywhere within the address space. The entries of the jump table are located at the lowest addresses in the selected code segment. Each entry occupies 2, 4, 8, or 16 words (selected by bitfield VECSC in register CPUCON1), providing room for at least one doubleword instruction. The respective vector location results from multiplying the trap number by the selected step width ( $2^{(VECSC+2)}$ ).

All pending interrupt requests are arbitrated. The arbitration winner is indicated to the CPU together with its priority level and action request. The CPU triggers the corresponding action based on the required functionality (normal interrupt, PEC, jump table cache, etc.) of the arbitration winner.

An action request will be accepted by the CPU if the requesting source has a higher priority than the current CPU priority level and interrupts are globally enabled. If the requesting source has a lower (or equal) interrupt level priority than the current CPU task, it remains pending.

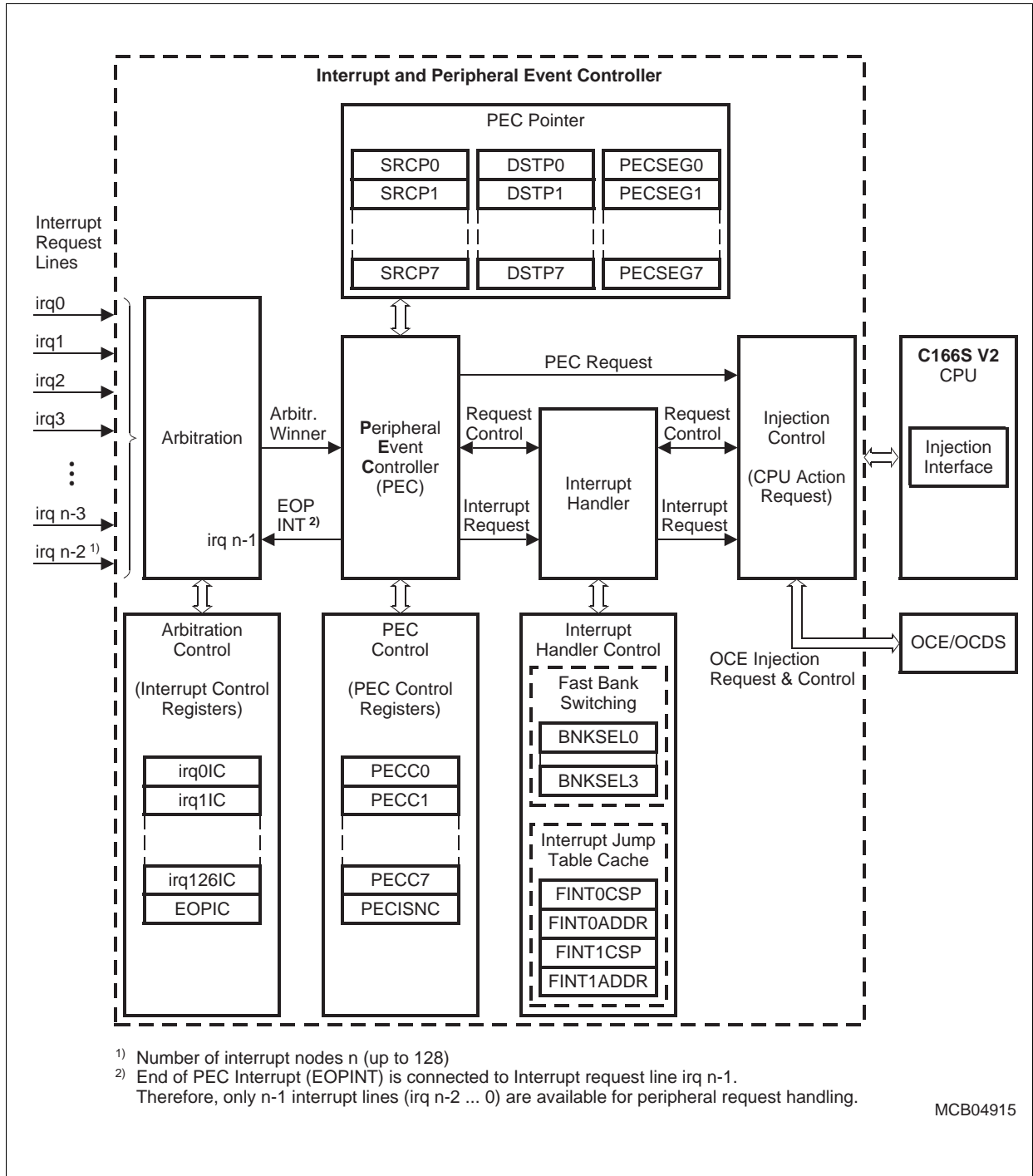


Figure 5-1 Block Diagram of the Interrupt and PEC Controller

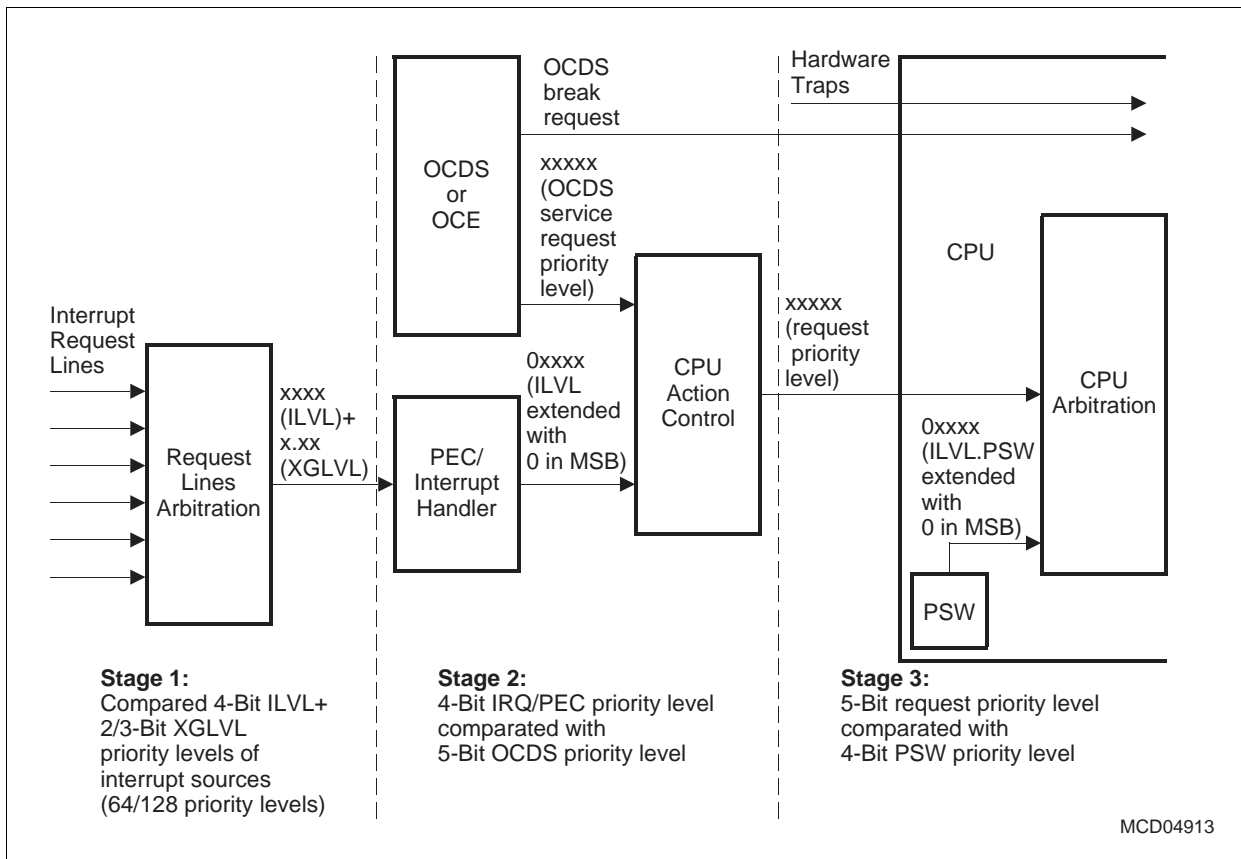
## 5.2 Interrupt Arbitration and Control

The XC2000's interrupt arbitration system handles interrupt requests from up to 80 sources. Interrupt requests may be triggered either by the on-chip peripherals or by external inputs.

Interrupt processing is controlled globally by register PSW through a general interrupt enable bit (IEN) and the CPU priority field (ILVL). Additionally, the different interrupt sources are controlled individually by their specific interrupt control registers (... IC). Thus, the acceptance of requests by the CPU is determined by both the individual interrupt control registers and by the PSW. PEC services are controlled by the respective PECCx register and by the source and destination pointers which specify the task of the respective PEC service channel.

An interrupt request sets the associated interrupt request flag xxIR. If the requesting interrupt node is enabled by the associated interrupt enable bit xxIE arbitration starts with the next clock cycle, or after completion of an arbitration cycle that is already in progress. All interrupt requests pending at the beginning of a new arbitration cycle are considered, independently from when they were actually requested.

**Figure 5-2** shows the three-stage interrupt prioritization scheme:



**Figure 5-2 Interrupt Arbitration**

The interrupt prioritization is done in three stages:

- Select one of the active interrupt requests
- Compare the priority levels of the selected request and an OCDS service request
- Compare the priority level of the final request with the CPU priority level

### **The First Arbitration Stage**

compares the priority levels of the active interrupt request lines. The interrupt priority level of each requestor is defined by bitfield ILVL in the respective xxIC register. The extended group priority level XGLVL (combined from bitfields GPX and GLVL) defines up to eight sub-priorities within one interrupt level. The group priority level distinguishes interrupt requests assigned to the same priority level, so one winner can be determined.

*Note: All interrupt request sources that are enabled and programmed to the same interrupt priority level (ILVL) must have different group priority levels. Otherwise, an incorrect interrupt vector will be generated.*

### **The Second Arbitration Stage**

compares the priority of the first stage winner with the priority of OCDS service requests. OCDS service requests bypass the first stage of arbitration and go directly to the CPU Action Control Unit. The CPU Action Control Unit compares the winner's 4-bit priority level (disregarding the group level) with the 5-bit OCDS service request priority. The 4-bit ILVL of the interrupt request is extended to a 5-bit value with MSB = 0. This means that any OCDS request with MSB = 1 will always win the second stage arbitration. However, if there is a conflict between an OCDS request and an interrupt request, the interrupt request wins.

### **The Third Arbitration Stage**

compares the priority level of the second stage winner with the priority of the current CPU task. An action request will be accepted by the CPU only if the priority level of the request is higher than the current CPU priority level (bitfield ILVL in register PSW) and if interrupt and PEC requests are globally enabled by the global interrupt enable flag IEN in register PSW. To compare with the 5-bit priority level of the second stage winner, the 4-bit CPU priority level is extended to a 5-bit value with MSB = 0. This means that any request with MSB = 1 will always interrupt the current CPU task. If the requestor has a priority level lower than or equal to the current CPU task, the request remains pending.

*Note: Priority level 0000<sub>B</sub> is the default level of the CPU. Therefore, a request on interrupt priority level 0000<sub>B</sub> will be arbitrated, but the CPU will never accept an action request on this level. However, every individually enabled interrupt request (including all denied interrupt requests and priority level 0000<sub>B</sub> requests) triggers a CPU wake-up from idle state independent of the global interrupt enable bit IEN.*





Field	Bits	Type	Description
<b>GLVL</b>	[1:0]	rw	<b>Group Priority Level</b> (Is completed by bit GPX to the 3-bit group level) 3H Highest priority level ... .. 0H Lowest priority level

1) Bit xxIR supports bit-protection.

When accessing interrupt control registers through instructions which operate on word data types, their upper 7 bits (15 ... 9) will return zeros when read, and will discard written data. It is recommended to always write zeros to these bit positions. The layout of the interrupt control registers shown below applies to each xxIC register, where “xx” represents the mnemonic for the respective source.

The **Interrupt Request Flag** is set by hardware whenever a service request from its respective source occurs. It is cleared automatically upon entry into the interrupt service routine or upon a PEC service. In the case of PEC service, the Interrupt Request flag remains set if the COUNT field in register PECCx of the selected PEC channel decrements to zero and bit EOPINT is cleared. This allows a normal CPU interrupt to respond to a completed PEC block transfer on the same priority level.

*Note: Modifying the Interrupt Request flag via software causes the same effects as if it had been set or cleared by hardware.*

The **Interrupt Enable Control Bit** determines whether the respective interrupt node takes part in the arbitration process (enabled) or not (disabled). The associated request flag will be set upon a source request in any case. The occurrence of an interrupt request can so be polled via xxIR even while the node is disabled.

*Note: In this case the interrupt request flag xxIR is not cleared automatically but must be cleared via software.*

### **Interrupt Priority Level and Group Level**

The four bits of bitfield ILVL specify the priority level of a service request for the arbitration of simultaneous requests. The priority increases with the numerical value of ILVL: so, 0000<sub>B</sub> is the lowest and 1111<sub>B</sub> is the highest priority level.

When more than one interrupt request on a specific level becomes active at the same time, the values in the respective bitfields GPX and GLVL are used for second level arbitration to select one request to be serviced. Again, the group priority increases with the numerical value of the concatenation of bitfields GPX and GLVL, so 000<sub>B</sub> is the lowest and 111<sub>B</sub> is the highest group priority.

*Note: All interrupt request sources enabled and programmed to the same priority level must always be programmed to different group priorities. Otherwise, an incorrect interrupt vector will be generated.*

Upon entry into the interrupt service routine, the priority level of the source that won the arbitration and whose priority level is higher than the current CPU level, is copied into bitfield ILVL of register PSW after pushing the old PSW contents onto the stack.

The interrupt system of the XC2000 allows nesting of up to 15 interrupt service routines of different priority levels (level 0 cannot be arbitrated).

Interrupt requests programmed to priority levels 15 ... 8 (i.e.,  $ILVL = 1XXX_B$ ) can be serviced by the PEC if the associated PEC channel is properly assigned and enabled (please refer to [Section 5.4](#)). Interrupt requests programmed to priority levels 7 through 1 will always be serviced by normal interrupt processing.

*Note: Priority level  $0000_B$  is the default level of the CPU. Therefore, a request on level 0 will never be serviced because it can never interrupt the CPU. However, an individually enabled interrupt request (independent of bit IEN) on level  $0000_B$  will terminate the XC2000's Idle mode and reactivate the CPU.*

### **General Interrupt Control Functions in Register PSW**

The acceptance of an interrupt request depends on the current CPU priority level (bitfield ILVL in register PSW) and the global interrupt enable control bit IEN in register PSW (see [Section 4.8](#)).

**CPU Priority ILVL** defines the current level for the operation of the CPU. This bitfield reflects the priority level of the routine currently executed. Upon entry into an interrupt service routine, this bitfield is updated with the priority level of the request being serviced. The PSW is saved on the system stack before the request is serviced. The CPU level determines the minimum interrupt priority level which will be serviced. Any request on the same or a lower level will not be acknowledged. The current CPU priority level may be adjusted via software to control which interrupt request sources will be acknowledged. PEC transfers do not really interrupt the CPU, but rather “steal” a single cycle, so PEC services do not influence the ILVL field in the PSW.

Hardware traps switch the CPU level to maximum priority (i.e. 15) so no interrupt or PEC requests will be acknowledged while an exception trap service routine is executed.

*Note: The TRAP instruction does not change the CPU level, so software invoked trap service routines may be interrupted by higher requests.*

**Interrupt Enable bit IEN** globally enables or disables PEC operation and the acceptance of interrupts by the CPU. When IEN is cleared, no new interrupt requests are accepted by the CPU (see also [Section 4.3.4](#)). When IEN is set to 1, all interrupt sources, which have been individually enabled by the interrupt enable bits in their associated control registers, are globally enabled. Traps are non-maskable and are, therefore, not affected by the IEN bit.

*Note: To generate requests, interrupt sources must be also enabled by the interrupt enable bits in their associated control register.*

**Register Bank Select bitfield BANK** defines the currently used register bank for the CPU operation. When the CPU enters an interrupt service routine, this bitfield is updated to select the register bank associated with the serviced request:

- Requests on priority levels 15 ... 12 use the register bank pre-selected via the respective bitfield GPRSELx in the corresponding BNKSEL register
- Requests on priority levels 11 ... 1 always use the global register bank, i.e. BANK = 00<sub>B</sub>
- Hardware traps always use the global register bank, i.e. BANK = 00<sub>B</sub>
- The TRAP instruction does not change the current register bank

### 5.3 Interrupt Vector Table

The XC2000 provides a vectored interrupt system. This system reserves a set of specific memory locations, which are accessed automatically upon the respective trigger event. Entries for the following events are provided:

- Reset (hardware, software, watchdog)
- Traps (hardware-generated by fault conditions or via TRAP instruction)
- Interrupt service requests

Whenever a request is accepted, the CPU branches to the location associated with the respective trigger source. This vector position directly identifies the source causing the request, with **two exceptions**:

- Class B hardware traps all share the same interrupt vector. The status flags in the Trap Flag Register (TFR) are used to determine which exception caused the trap. For details, see [Section 5.11](#).
- An interrupt node may be shared by several interrupt requests, e.g. within a module. Additional flags identify the requesting source, so the software can handle each request individually. For details, see [Section 5.7](#).

The reserved vector locations build a vector table located in the address space of the XC2000. The vector table usually contains the appropriate jump instructions that transfer control to the interrupt or trap service routines. These routines may be located anywhere within the address space. The location and organization of the vector table is programmable.

The Vector Segment register VECSEG defines the segment of the Vector Table (can be located in all segments, except for reserved areas).

Bitfield VECSC in register CPUCON1 defines the space between two adjacent vectors (can be 2, 4, 8, or 16 words). For a summary of register CPUCON1, please refer to [Section 4.4](#).

Each vector location has an offset address to the segment base address of the vector table (given by VECSEG). The offset can be easily calculated by multiplying the vector number with the vector space programmed in bitfield VECSC.

[Table 5-2](#) lists all sources capable of requesting interrupt or PEC service in the XC2000, the associated interrupt vector locations, the associated vector numbers, and the associated interrupt control registers.

*Note: All interrupt nodes which are currently not used by their associated modules or are not connected to a module in the actual derivative may be used to generate software controlled interrupt requests by setting the respective IR flag.*



**Table 5-2 XC2000 Interrupt Nodes**

<b>Source of Interrupt or PEC Service Request</b>	<b>Control Register</b>	<b>Vector Location<sup>1)</sup></b>	<b>Trap Number</b>
CAPCOM Register 16, or ERU Request 0	CC2_CC16IC	xx'0040 <sub>H</sub>	10 <sub>H</sub> / 16 <sub>D</sub>
CAPCOM Register 17, or ERU Request 1	CC2_CC17IC	xx'0044 <sub>H</sub>	11 <sub>H</sub> / 17 <sub>D</sub>
CAPCOM Register 18, or ERU Request 2	CC2_CC18IC	xx'0048 <sub>H</sub>	12 <sub>H</sub> / 18 <sub>D</sub>
CAPCOM Register 19, or ERU Request 3	CC2_CC19IC	xx'004C <sub>H</sub>	13 <sub>H</sub> / 19 <sub>D</sub>
CAPCOM Register 20, or USIC0 Request 6	CC2_CC20IC	xx'0050 <sub>H</sub>	14 <sub>H</sub> / 20 <sub>D</sub>
CAPCOM Register 21, or USIC0 Request 7	CC2_CC21IC	xx'0054 <sub>H</sub>	15 <sub>H</sub> / 21 <sub>D</sub>
CAPCOM Register 22, or USIC1 Request 6	CC2_CC22IC	xx'0058 <sub>H</sub>	16 <sub>H</sub> / 22 <sub>D</sub>
CAPCOM Register 23, or USIC1 Request 7	CC2_CC23IC	xx'005C <sub>H</sub>	17 <sub>H</sub> / 23 <sub>D</sub>
CAPCOM Register 24, or ERU Request 0	CC2_CC24IC	xx'0060 <sub>H</sub>	18 <sub>H</sub> / 24 <sub>D</sub>
CAPCOM Register 25, or ERU Request 1	CC2_CC25IC	xx'0064 <sub>H</sub>	19 <sub>H</sub> / 25 <sub>D</sub>
CAPCOM Register 26, or ERU Request 2	CC2_CC26IC	xx'0068 <sub>H</sub>	1A <sub>H</sub> / 26 <sub>D</sub>
CAPCOM Register 27, or ERU Request 3	CC2_CC27IC	xx'006C <sub>H</sub>	1B <sub>H</sub> / 27 <sub>D</sub>
CAPCOM Register 28, or USIC2 Request 6	CC2_CC28IC	xx'0070 <sub>H</sub>	1C <sub>H</sub> / 28 <sub>D</sub>
CAPCOM Register 29, or USIC2 Request 7	CC2_CC29IC	xx'0074 <sub>H</sub>	1D <sub>H</sub> / 29 <sub>D</sub>
CAPCOM Register 30	CC2_CC30IC	xx'0078 <sub>H</sub>	1E <sub>H</sub> / 30 <sub>D</sub>
CAPCOM Register 31	CC2_CC31IC	xx'007C <sub>H</sub>	1F <sub>H</sub> / 31 <sub>D</sub>
GPT1 Timer 2	GPT12E_T2IC	xx'0080 <sub>H</sub>	20 <sub>H</sub> / 32 <sub>D</sub>
GPT1 Timer 3	GPT12E_T3IC	xx'0084 <sub>H</sub>	21 <sub>H</sub> / 33 <sub>D</sub>
GPT1 Timer 4	GPT12E_T4IC	xx'0088 <sub>H</sub>	22 <sub>H</sub> / 34 <sub>D</sub>

Preliminary

Interrupt and Trap Functions

**Table 5-2 XC2000 Interrupt Nodes (cont'd)**

<b>Source of Interrupt or PEC Service Request</b>	<b>Control Register</b>	<b>Vector Location<sup>1)</sup></b>	<b>Trap Number</b>
GPT2 Timer 5	GPT12E_T5IC	xx'008C <sub>H</sub>	23 <sub>H</sub> / 35 <sub>D</sub>
GPT2 Timer 6	GPT12E_T6IC	xx'0090 <sub>H</sub>	24 <sub>H</sub> / 36 <sub>D</sub>
GPT2 CAPREL Register	GPT12E_CRIC	xx'0094 <sub>H</sub>	25 <sub>H</sub> / 37 <sub>D</sub>
CAPCOM Timer 7	CC2_T7IC	xx'0098 <sub>H</sub>	26 <sub>H</sub> / 38 <sub>D</sub>
CAPCOM Timer 8	CC2_T8IC	xx'009C <sub>H</sub>	27 <sub>H</sub> / 39 <sub>D</sub>
A/D Converter Request 0	ADC_0IC	xx'00A0 <sub>H</sub>	28 <sub>H</sub> / 40 <sub>D</sub>
A/D Converter Request 1	ADC_1IC	xx'00A4 <sub>H</sub>	29 <sub>H</sub> / 41 <sub>D</sub>
A/D Converter Request 2	ADC_2IC	xx'00A8 <sub>H</sub>	2A <sub>H</sub> / 42 <sub>D</sub>
A/D Converter Request 3	ADC_3IC	xx'00AC <sub>H</sub>	2B <sub>H</sub> / 43 <sub>D</sub>
A/D Converter Request 4	ADC_4IC	xx'00B0 <sub>H</sub>	2C <sub>H</sub> / 44 <sub>D</sub>
A/D Converter Request 5	ADC_5IC	xx'00B4 <sub>H</sub>	2D <sub>H</sub> / 45 <sub>D</sub>
A/D Converter Request 6	ADC_6IC	xx'00B8 <sub>H</sub>	2E <sub>H</sub> / 46 <sub>D</sub>
A/D Converter Request 7	ADC_7IC	xx'00BC <sub>H</sub>	2F <sub>H</sub> / 47 <sub>D</sub>
CCU60 Request 0	CCU60_0IC	xx'00C0 <sub>H</sub>	30 <sub>H</sub> / 48 <sub>D</sub>
CCU60 Request 1	CCU60_1IC	xx'00C4 <sub>H</sub>	31 <sub>H</sub> / 49 <sub>D</sub>
CCU60 Request 2	CCU60_2IC	xx'00C8 <sub>H</sub>	32 <sub>H</sub> / 50 <sub>D</sub>
CCU60 Request 3	CCU60_3IC	xx'00CC <sub>H</sub>	33 <sub>H</sub> / 51 <sub>D</sub>
CCU61 Request 0	CCU61_0IC	xx'00D0 <sub>H</sub>	34 <sub>H</sub> / 52 <sub>D</sub>
CCU61 Request 1	CCU61_1IC	xx'00D4 <sub>H</sub>	35 <sub>H</sub> / 53 <sub>D</sub>
CCU61 Request 2	CCU61_2IC	xx'00D8 <sub>H</sub>	36 <sub>H</sub> / 54 <sub>D</sub>
CCU61 Request 3	CCU61_3IC	xx'00DC <sub>H</sub>	37 <sub>H</sub> / 55 <sub>D</sub>
CCU62 Request 0	CCU62_0IC	xx'00E0 <sub>H</sub>	38 <sub>H</sub> / 56 <sub>D</sub>
CCU62 Request 1	CCU62_1IC	xx'00E4 <sub>H</sub>	39 <sub>H</sub> / 57 <sub>D</sub>
CCU62 Request 2	CCU62_2IC	xx'00E8 <sub>H</sub>	3A <sub>H</sub> / 58 <sub>D</sub>
CCU62 Request 3	CCU62_3IC	xx'00EC <sub>H</sub>	3B <sub>H</sub> / 59 <sub>D</sub>
CCU63 Request 0	CCU63_0IC	xx'00F0 <sub>H</sub>	3C <sub>H</sub> / 60 <sub>D</sub>
CCU63 Request 1	CCU63_1IC	xx'00F4 <sub>H</sub>	3D <sub>H</sub> / 61 <sub>D</sub>
CCU63 Request 2	CCU63_2IC	xx'00F8 <sub>H</sub>	3E <sub>H</sub> / 62 <sub>D</sub>
CCU63 Request 3	CCU63_3IC	xx'00FC <sub>H</sub>	3F <sub>H</sub> / 63 <sub>D</sub>
CAN Request 0	CAN_0IC	xx'0100 <sub>H</sub>	40 <sub>H</sub> / 64 <sub>D</sub>

Preliminary

Interrupt and Trap Functions

**Table 5-2 XC2000 Interrupt Nodes (cont'd)**

<b>Source of Interrupt or PEC Service Request</b>	<b>Control Register</b>	<b>Vector Location<sup>1)</sup></b>	<b>Trap Number</b>
CAN Request 1	CAN_1IC	xx'0104 <sub>H</sub>	41 <sub>H</sub> / 65 <sub>D</sub>
CAN Request 2	CAN_2IC	xx'0108 <sub>H</sub>	42 <sub>H</sub> / 66 <sub>D</sub>
CAN Request 3	CAN_3IC	xx'010C <sub>H</sub>	43 <sub>H</sub> / 67 <sub>D</sub>
CAN Request 4	CAN_4IC	xx'0110 <sub>H</sub>	44 <sub>H</sub> / 68 <sub>D</sub>
CAN Request 5	CAN_5IC	xx'0114 <sub>H</sub>	45 <sub>H</sub> / 69 <sub>D</sub>
CAN Request 6	CAN_6IC	xx'0118 <sub>H</sub>	46 <sub>H</sub> / 70 <sub>D</sub>
CAN Request 7	CAN_7IC	xx'011C <sub>H</sub>	47 <sub>H</sub> / 71 <sub>D</sub>
CAN Request 8	CAN_8IC	xx'0120 <sub>H</sub>	48 <sub>H</sub> / 72 <sub>D</sub>
CAN Request 9	CAN_9IC	xx'0124 <sub>H</sub>	49 <sub>H</sub> / 73 <sub>D</sub>
CAN Request 10	CAN_10IC	xx'0128 <sub>H</sub>	4A <sub>H</sub> / 74 <sub>D</sub>
CAN Request 11	CAN_11IC	xx'012C <sub>H</sub>	4B <sub>H</sub> / 75 <sub>D</sub>
CAN Request 12	CAN_12IC	xx'0130 <sub>H</sub>	4C <sub>H</sub> / 76 <sub>D</sub>
CAN Request 13	CAN_13IC	xx'0134 <sub>H</sub>	4D <sub>H</sub> / 77 <sub>D</sub>
CAN Request 14	CAN_14IC	xx'0138 <sub>H</sub>	4E <sub>H</sub> / 78 <sub>D</sub>
CAN Request 15	CAN_15IC	xx'013C <sub>H</sub>	4F <sub>H</sub> / 79 <sub>D</sub>
USIC0 Request 0	U0C0_0IC	xx'0140 <sub>H</sub>	50 <sub>H</sub> / 80 <sub>D</sub>
USIC0 Request 1	U0C0_1IC	xx'0144 <sub>H</sub>	51 <sub>H</sub> / 81 <sub>D</sub>
USIC0 Request 2	U0C0_2IC	xx'0148 <sub>H</sub>	52 <sub>H</sub> / 82 <sub>D</sub>
USIC0 Request 3	U0C1_0IC	xx'014C <sub>H</sub>	53 <sub>H</sub> / 83 <sub>D</sub>
USIC0 Request 4	U0C1_1IC	xx'0150 <sub>H</sub>	54 <sub>H</sub> / 84 <sub>D</sub>
USIC0 Request 5	U0C1_2IC	xx'0154 <sub>H</sub>	55 <sub>H</sub> / 85 <sub>D</sub>
USIC1 Request 0	U1C0_0IC	xx'0158 <sub>H</sub>	56 <sub>H</sub> / 86 <sub>D</sub>
USIC1 Request 1	U1C0_1IC	xx'015C <sub>H</sub>	57 <sub>H</sub> / 87 <sub>D</sub>
USIC1 Request 2	U1C0_2IC	xx'0160 <sub>H</sub>	58 <sub>H</sub> / 88 <sub>D</sub>
USIC1 Request 3	U1C1_0IC	xx'0164 <sub>H</sub>	59 <sub>H</sub> / 89 <sub>D</sub>
USIC1 Request 4	U1C1_1IC	xx'0168 <sub>H</sub>	5A <sub>H</sub> / 90 <sub>D</sub>
USIC1 Request 5	U1C1_2IC	xx'016C <sub>H</sub>	5B <sub>H</sub> / 91 <sub>D</sub>
USIC2 Request 0	U2C0_0IC	xx'0170 <sub>H</sub>	5C <sub>H</sub> / 92 <sub>D</sub>
USIC2 Request 1	U2C0_1IC	xx'0174 <sub>H</sub>	5D <sub>H</sub> / 93 <sub>D</sub>
USIC2 Request 2	U2C0_2IC	xx'0178 <sub>H</sub>	5E <sub>H</sub> / 94 <sub>D</sub>



**Table 5-2 XC2000 Interrupt Nodes (cont'd)**

<b>Source of Interrupt or PEC Service Request</b>	<b>Control Register</b>	<b>Vector Location<sup>1)</sup></b>	<b>Trap Number</b>
USIC2 Request 3	U2C1_0IC	xx'017C <sub>H</sub>	5F <sub>H</sub> / 95 <sub>D</sub>
USIC2 Request 4	U2C1_1IC	xx'0180 <sub>H</sub>	60 <sub>H</sub> / 96 <sub>D</sub>
USIC2 Request 5	U2C1_2IC	xx'0184 <sub>H</sub>	61 <sub>H</sub> / 97 <sub>D</sub>
Unassigned node	–	xx'0188 <sub>H</sub>	62 <sub>H</sub> / 98 <sub>D</sub>
Unassigned node	–	xx'018C <sub>H</sub>	63 <sub>H</sub> / 99 <sub>D</sub>
Unassigned node	–	xx'0190 <sub>H</sub>	64 <sub>H</sub> / 100 <sub>D</sub>
Unassigned node	–	xx'0194 <sub>H</sub>	65 <sub>H</sub> / 101 <sub>D</sub>
Unassigned node	–	xx'0198 <sub>H</sub>	66 <sub>H</sub> / 102 <sub>D</sub>
Unassigned node	–	xx'019C <sub>H</sub>	67 <sub>H</sub> / 103 <sub>D</sub>
Unassigned node	–	xx'01A0 <sub>H</sub>	68 <sub>H</sub> / 104 <sub>D</sub>
Unassigned node	–	xx'01A4 <sub>H</sub>	69 <sub>H</sub> / 105 <sub>D</sub>
Unassigned node	–	xx'01A8 <sub>H</sub>	6A <sub>H</sub> / 106 <sub>D</sub>
SCU Request 1	SCU_1IC	xx'01AC <sub>H</sub>	6B <sub>H</sub> / 107 <sub>D</sub>
SCU Request 0	SCU_0IC	xx'01B0 <sub>H</sub>	6C <sub>H</sub> / 108 <sub>D</sub>
Program Flash Modules	PFM_IC	xx'01B4 <sub>H</sub>	6D <sub>H</sub> / 109 <sub>D</sub>
RTC	RTC_IC	xx'01B8 <sub>H</sub>	6E <sub>H</sub> / 110 <sub>D</sub>
End of PEC Subchannel	EOPIC	xx'01BC <sub>H</sub>	6F <sub>H</sub> / 111 <sub>D</sub>

1) Register VECSEG defines the segment where the vector table is located to.  
Bitfield VECSC in register CPUCON1 defines the distance between two adjacent vectors. This table represents the default setting, with a distance of 4 (two words) between two vectors.

**Table 5-3** lists the vector locations for hardware traps and the corresponding status flags in register TFR. It also lists the priorities of trap service for those cases in which more than one trap condition might be detected within the same instruction. After any reset (hardware reset, software reset instruction SRST, or reset by watchdog timer overflow) program execution starts at the reset vector at location  $xx'0000_H$ . Reset conditions have priority over every other system activity and, therefore, have the highest priority (trap priority III).

Software traps may be initiated to any defined vector location. A service routine entered via a software TRAP instruction is always executed on the current CPU priority level which is indicated in bitfield ILVL in register PSW. This means that routines entered via the software TRAP instruction can be interrupted by all hardware traps or higher level interrupt requests.

**Table 5-3 Hardware Trap Summary**

Exception Condition	Trap Flag	Trap Vector	Vector Location <sup>1)</sup>	Trap Number	Trap Priority
Reset Functions	–	RESET	$xx'0000_H$	$00_H$	III
Class A Hardware Traps:					
• System Request 0	SR0	SR0TRAP	$xx'0008_H$	$02_H$	II
• Stack Overflow	STKOF	STOTRAP	$xx'0010_H$	$04_H$	II
• Stack Underflow	STKUF	STUTRAP	$xx'0018_H$	$06_H$	II
• Software Break	SOFTBRK	SBRKTRAP	$xx'0020_H$	$08_H$	II
Class B Hardware Traps:					
• System Request 1	SR1	BTRAP	$xx'0028_H$	$0A_H$	I
• Undefined Opcode	UNDOPC	BTRAP	$xx'0028_H$	$0A_H$	I
• Memory Access Error	ACER	BTRAP	$xx'0028_H$	$0A_H$	I
• Protected Instruction Fault	PRTFLT	BTRAP	$xx'0028_H$	$0A_H$	I
• Illegal Word Operand Access	ILLOPA	BTRAP	$xx'0028_H$	$0A_H$	I
Reserved	–	–	$[2C_H - 3C_H]$	$[0B_H - 0F_H]$	–
Software Traps:	–	–	Any	Any	Current CPU Priority
• TRAP Instruction			$[xx'0000_H - xx'01FC_H]$ in steps of $4_H$	$[00_H - 7F_H]$	

1) Register VECSEG defines the segment where the vector table is located to. Bitfield VECSC in register CPUCON1 defines the distance between two adjacent vectors. This table represents the default setting, with a distance of 4 (two words) between two vectors.



Field	Bits	Type	Description
<b>EN</b>	15	rw	<b>Fast Interrupt Enable</b> 0 The interrupt jump table cache is not used 1 The interrupt jump table cache is enabled, the vector table entry for the specified request is bypassed, the cache pointer is used
<b>GPX</b>	12	rw	<b>Group Priority Extension</b> Used together with bitfield GLVL
<b>ILVL</b>	[11:10]	rw	<b>Interrupt Priority Level</b> This selects the interrupt priority (15 ... 12) of the request this pointer shall be assigned to 00 Interrupt priority level 12 (1100B) 01 Interrupt priority level 13 (1101B) 10 Interrupt priority level 14 (1110B) 11 Interrupt priority level 15 (1111B)
<b>GLVL</b>	[9:8]	rw	<b>Group Priority Level</b> Together with bit GPX this selects the group priority of the request this pointer shall be assigned to
<b>SEG</b>	[7:0]	rw	<b>Segment Number of Interrupt Service Routine</b> Specifies address bits 23 ... 16 of the 24-bit pointer to the interrupt service routine, is concatenated with FINTxADDR.

## 5.4 Operation of the Peripheral Event Controller Channels

The XC2000's Peripheral Event Controller (PEC) provides 8 PEC service channels which move a single byte or word between any two locations. A PEC transfer can be triggered by an interrupt service request and is the fastest possible interrupt response. In many cases a PEC transfer is sufficient to service the respective peripheral request (for example, serial channels, etc.).

PEC transfers do not change the current context, but rather “steal” cycles from the CPU, so the current program status and context needs not to be saved and restored as with standard interrupts.

The PEC channels are controlled by a dedicated set of registers which are assigned to dedicated PEC resources:

- A 24-bit source pointer for each channel
- A 24-bit destination pointer for each channel
- A Channel Counter/Control register (PECCx) for each channel, selecting the operating mode for the respective channel
- Two interrupt control registers to control the operation of block transfers

### 5.4.1 The PECC Registers

The PECC registers control the action performed by the respective PEC channel.

**Transfer Size (bit BWT)** controls whether a byte or a word is moved during a PEC service cycle. This selection controls the transferred data size and the increment step for the pointer(s) to be modified.

**Pointer Modification (bitfield INC)** controls, which of the PEC pointers is incremented after the PEC transfer. If the pointers are not modified ( $INC = 00_B$ ), the respective channel will always move data from the same source to the same destination.

**Transfer Control (bitfield COUNT)** controls if the respective PEC channel remains active after the transfer or not. Bitfield COUNT also generally enables a PEC channel ( $COUNT > 00_H$ ).

The PECC registers also select the assignment of PEC channels to interrupt priority levels (bitfield PLEV) and the interrupt behavior after PEC transfer completion (bit EOPINT).

*Note: All interrupt request sources that are enabled and programmed for PEC service should use different channels. Otherwise, only one transfer will be performed for all simultaneous requests. When COUNT is decremented to  $00_H$ , and the CPU is to be interrupted, an incorrect interrupt vector will be generated.*

*PEC transfers are executed only if their priority level is higher than the CPU level.*

Preliminary

Interrupt and Trap Functions

**PECCx**

**PEC Control Reg.**

**SFR (FECy<sub>H</sub>/6z<sub>H</sub>, [Table 5-4](#))**

**Reset Value: 0000<sub>H</sub>**

15	14	13	12	11	10	9	8	7	6	5	4	3	2	1	0
-	<b>EOP INT</b>	<b>PLEV</b>	<b>CL</b>	<b>INC</b>	<b>BWT</b>	<b>COUNT</b>									
-	rw	rw	rw	rw	rw	rwh									

Field	Bits	Type	Description
<b>EOPINT</b>	14	rw	<b>End of PEC Interrupt Selection</b> 0 End of PEC interrupt on the same (PEC) level 1 End of PEC interrupt via separate node EOPIC
<b>PLEV</b>	[13:12]	rw	<b>PEC Level Selection</b> This bitfield controls the PEC channel assignment to an arbitration priority level (see section below)
<b>CL</b>	11	rw	<b>Channel Link Control</b> 0 PEC channels work independently 1 Pairs of PEC channels are linked together <sup>1)</sup>
<b>INC</b>	[10:9]	rw	<b>Increment Control (Pointer Modification)<sup>2)</sup></b> 00 Pointers are not modified 01 Increment DSTPx by 1 or 2 (BWT = 1 or 0) 10 Increment SRCPx by 1 or 2 (BWT = 1 or 0) 11 Increment both DSTPx and SRCPx by 1 or 2
<b>BWT</b>	8	rw	<b>Byte/Word Transfer Selection</b> 0 Transfer a word 1 Transfer a byte
<b>COUNT</b>	[7:0]	rwh	<b>PEC Transfer Count</b> Counts PEC transfers and influences the channel's action (see <a href="#">Section 5.4.3</a> )

1) For a functional description see "[Channel Link Mode for Data Chaining](#)".

2) Pointers are incremented/decremented only within the current segment.

**Table 5-4 PEC Control Register Addresses**

Register	Address	Reg. Space	Register	Address	Reg. Space
PECC0	FEC0 <sub>H</sub> / 60 <sub>H</sub>	SFR	PECC4	FEC8 <sub>H</sub> / 64 <sub>H</sub>	SFR
PECC1	FEC2 <sub>H</sub> / 61 <sub>H</sub>	SFR	PECC5	FECA <sub>H</sub> / 65 <sub>H</sub>	SFR
PECC2	FEC4 <sub>H</sub> / 62 <sub>H</sub>	SFR	PECC6	FECC <sub>H</sub> / 66 <sub>H</sub>	SFR
PECC3	FEC6 <sub>H</sub> / 63 <sub>H</sub>	SFR	PECC7	FECE <sub>H</sub> / 67 <sub>H</sub>	SFR

**Preliminary**

**Interrupt and Trap Functions**

The PEC channel number is derived from the respective ILVL (LSB) and GLVL, where the priority band (ILVL) is selected by the channel's bitfield PLEV (see [Table 5-5](#)). So, programming a source to priority level 15 (ILVL = 1111<sub>B</sub>) selects the PEC channel group 7 ... 4 with PLEV = 00<sub>B</sub>; programming a source to priority level 14 (ILVL = 1110<sub>B</sub>) selects the PEC channel group 3 ... 0 with PLEV = 00<sub>B</sub>; programming a source to priority level 10 (ILVL = 1010<sub>B</sub>) selects the PEC channel group 3 ... 0 with PLEV = 10<sub>B</sub>. The actual PEC channel number is then determined by the group priority (levels 3 ... 0, i.e. GPX = 0).

Simultaneous requests for PEC channels are prioritized according to the PEC channel number, where channel 0 has lowest and channel 7 has highest priority.

*Note: All sources requesting PEC service must be programmed to different PEC channels. Otherwise, an incorrect PEC channel may be activated.*

**Table 5-5 PEC Channel Assignment**

Selected PEC Channel	Group Level	Used Interrupt Priorities Depending on Bitfield PLEV			
		PLEV = 00 <sub>B</sub>	PLEV = 01 <sub>B</sub>	PLEV = 10 <sub>B</sub>	PLEV = 11 <sub>B</sub>
7	3	15	13	11	9
6	2				
5	1				
4	0				
3	3	14	12	10	8
2	2				
1	1				
0	0				

[Table 5-6](#) shows in a few examples which action is executed with a given programming of an interrupt control register and a PEC channel.

**Table 5-6 Interrupt Priority Examples**

Priority Level		Type of Service		
Interr. Level	Group Level	COUNT = 00 <sub>H</sub> , PLEV = XX <sub>B</sub>	COUNT ≠ 00 <sub>H</sub> , PLEV = 00 <sub>B</sub>	COUNT ≠ 00 <sub>H</sub> , PLEV = 01 <sub>B</sub>
1 1 1 1	1 1 1	CPU interrupt, level 15, group prio 7	CPU interrupt, level 15, group prio 7	CPU interrupt, level 15, group prio 7
1 1 1 1	0 1 1	CPU interrupt, level 15, group prio 3	PEC service, channel 7	CPU interrupt, level 15, group prio 3
1 1 1 1	0 1 0	CPU interrupt, level 15, group prio 2	PEC service, channel 6	CPU interrupt, level 15, group prio 2
1 1 1 0	0 1 0	CPU interrupt, level 14, group prio 2	PEC service, channel 2	CPU interrupt, level 14, group prio 2
1 1 0 1	1 1 0	CPU interrupt, level 13, group prio 6	CPU interrupt, level 13, group prio 6	CPU interrupt, level 13, group prio 6
1 1 0 1	0 1 0	CPU interrupt, level 13, group prio 2	CPU interrupt, level 13, group prio 2	PEC service, channel 6
0 0 0 1	0 1 1	CPU interrupt, level 1, group prio 3	CPU interrupt, level 1, group prio 3	CPU interrupt, level 1, group prio 3
0 0 0 1	0 0 0	CPU interrupt, level 1, group prio 0	CPU interrupt, level 1, group prio 0	CPU interrupt, level 1, group prio 0
0 0 0 0	X X X	No service!	No service!	No service!

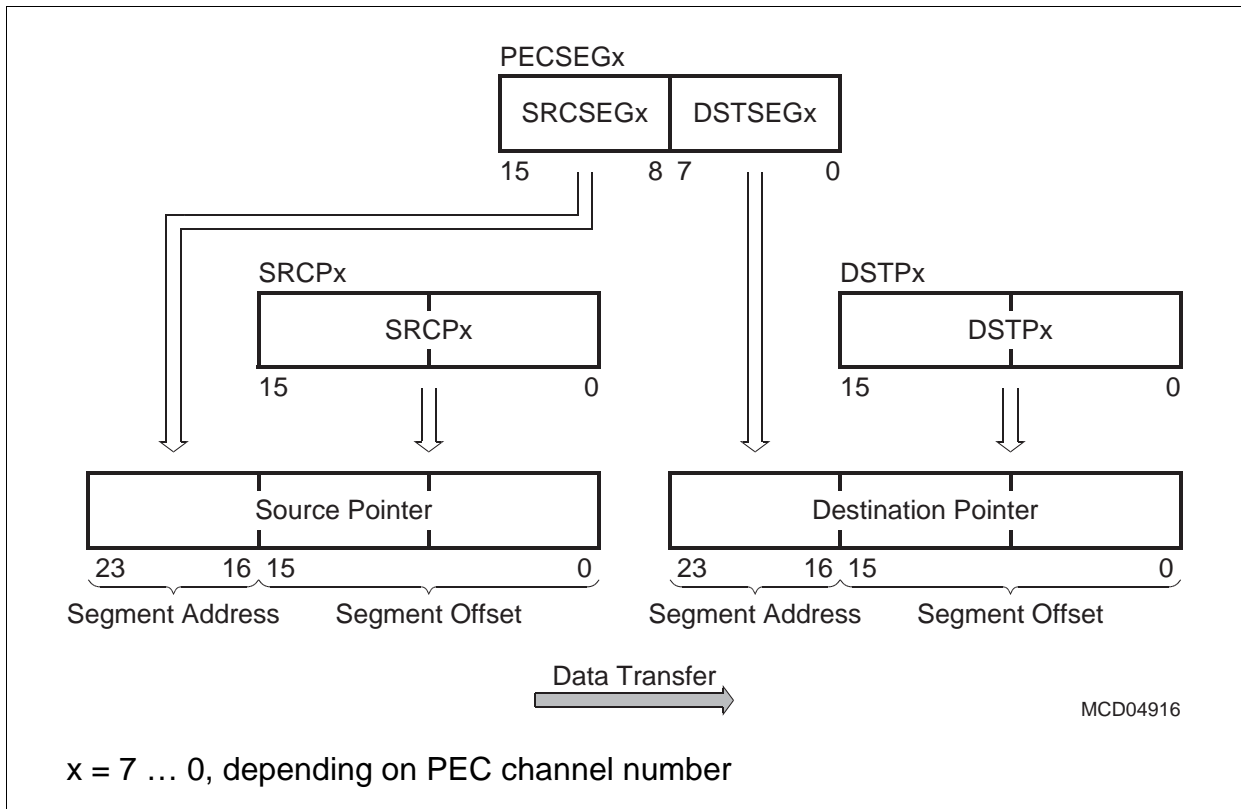
*Note: PEC service is only achieved when bit GPX = 0 and COUNT ≠ 0.*

*Requests on levels 7 ... 1 cannot initiate PEC transfers. They are always serviced by an interrupt service routine: no PECC register is associated and no COUNT field is checked.*



### 5.4.2 The PEC Source and Destination Pointers

The PEC channels' source and destination pointers specify the locations between which the data is to be moved. Both 24-bit pointers are built by concatenating the 16-bit offset register (SRCPx or DSTPx) with the respective 8-bit segment bitfield (SRCSEGx or DSTSEGx, combined in register PECSEGx).



**Figure 5-3 PEC Data Pointers**

When a PEC pointer is automatically incremented after a transfer, only the offset part is incremented (SRCPx and/or DSTPx), while the respective segment part is not modified by hardware. Thus, a pointer may be incremented within the current segment, but may not cross the segment boundary. When a PEC pointer reaches the maximum offset (FFFE<sub>H</sub> for word transfers, FFFF<sub>H</sub> for byte transfers), it is not incremented further, but keeps its maximum offset value. This protects memory in adjacent segments from being overwritten unintentionally.

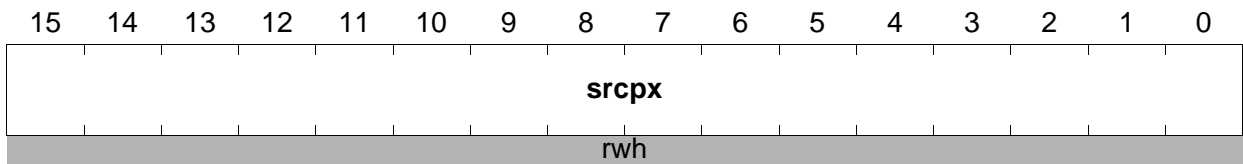
No explicit error event is generated by the system in case of a pointer saturation; therefore, it is the user's responsibility to prevent this condition.

*Note: PEC data transfers do not use the data page pointers DPP3 ... DPP0.*

*Unused PEC pointers may be used for general data storage.*

**SRCPx**

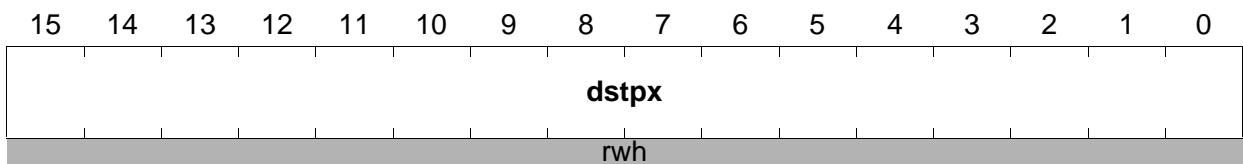
**PEC Source Pointer**      **XSFR (ECyy<sub>H</sub>/--, Table 5-7)**      **Reset Value: 0000<sub>H</sub>**



Field	Bits	Type	Description
srcpx	[15:0]	rwh	<b>Source Pointer Offset of Channel x</b> Source address bits 15 ... 0

**DSTPx**

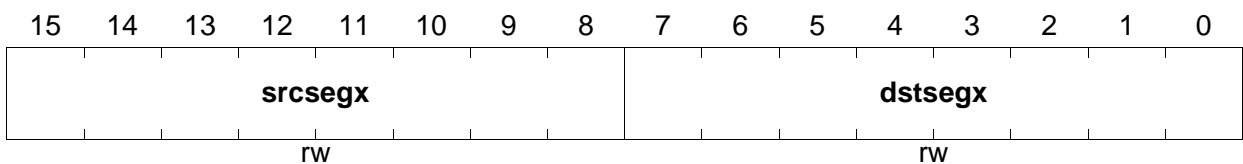
**PEC Destination Pointer**      **XSFR (ECyy<sub>H</sub>/--, Table 5-7)**      **Reset Value: 0000<sub>H</sub>**



Field	Bits	Type	Description
dstpx	[15:0]	rwh	<b>Destination Pointer Offset of Channel x</b> Destination address bits 15 ... 0

**PECSEGx**

**PEC Segment Pointer**      **XSFR (ECyy<sub>H</sub>/--, Table 5-7)**      **Reset Value: 0000<sub>H</sub>**



Field	Bits	Type	Description
srcsegx	[15:8]	rw	<b>Source Pointer Segment of Channel x</b> Source address bits 23 ... 16
dstsegx	[7:0]	rw	<b>Destination Pointer Segment of Channel x</b> Destination address bits 23 ... 16

**Table 5-7 PEC Data Pointer Register Addresses**

Channel #	0	1	2	3	4	5	6	7
<b>PECSEGx</b>	EC80 <sub>H</sub>	EC82 <sub>H</sub>	EC84 <sub>H</sub>	EC86 <sub>H</sub>	EC88 <sub>H</sub>	EC8A <sub>H</sub>	EC8C <sub>H</sub>	EC8E <sub>H</sub>
<b>SRCPx</b>	EC40 <sub>H</sub>	EC44 <sub>H</sub>	EC48 <sub>H</sub>	EC4C <sub>H</sub>	EC50 <sub>H</sub>	EC54 <sub>H</sub>	EC58 <sub>H</sub>	EC5C <sub>H</sub>
<b>DSTPx</b>	EC42 <sub>H</sub>	EC46 <sub>H</sub>	EC4A <sub>H</sub>	EC4E <sub>H</sub>	EC52 <sub>H</sub>	EC56 <sub>H</sub>	EC5A <sub>H</sub>	EC5E <sub>H</sub>

*Note: If word data transfer is selected for a specific PEC channel (BWT = 0), the respective source and destination pointers must both contain a valid word address which points to an even byte boundary. Otherwise, the Illegal Word Access trap will be invoked when this channel is used.*

### 5.4.3 PEC Transfer Control

The PEC Transfer Count Field COUNT controls the behavior of the respective PEC channel. The contents of bitfield COUNT select the action to be taken at the time the request is activated. COUNT may allow a specified number of PEC transfers, unlimited transfers, or no PEC service at all. [Table 5-8](#) summarizes, how the COUNT field, the interrupt requests flag IR, and the PEC channel action depend on the previous contents of COUNT.

**Table 5-8 Influence of Bitfield COUNT**

Previous COUNT	Modified COUNT	IR after Service	Action of PEC Channel and Comments
FF <sub>H</sub>	FF <sub>H</sub>	0	Move a Byte/Word Continuous transfer mode, i.e. COUNT is not modified
FE <sub>H</sub> ... 02 <sub>H</sub>	FD <sub>H</sub> ... 01 <sub>H</sub>	0	Move a Byte/Word and decrement COUNT
01 <sub>H</sub>	00 <sub>H</sub>	1	<b>EOPINT = 0</b> (channel-specific interrupt) Move a Byte/Word and leave request flag set, which triggers another request
		0	<b>EOPINT = 1</b> (separate end-of-PEC interrupt) Move a Byte/Word and clear request flag, set the respective PEC subnode request flag CxIR instead <sup>1)</sup>
00 <sub>H</sub>	00 <sub>H</sub>	–	<b>No PEC action!</b> Activate interrupt service routine rather than PEC channel

1) Setting a subnode request flag also sets flag EOPIR if the subnode request is enabled (CxIE = 1).

Preliminary

Interrupt and Trap Functions

The PEC transfer counter allows service of a specified number of requests by the respective PEC channel, and then (when COUNT reaches 00<sub>H</sub>) activation of an interrupt service routine, either associated with the PEC channel's priority level or with the general end-of-PEC interrupt. After each PEC transfer, the COUNT field is decremented (except for COUNT = FF<sub>H</sub>) and the request flag is cleared to indicate that the request has been serviced.

When COUNT contains the value 00<sub>H</sub>, the respective PEC channel remains idle and the associated interrupt service routine is activated instead. This allows servicing requests on all priority levels by standard interrupt service routines.

**Continuous transfers** are selected by the value FF<sub>H</sub> in bitfield COUNT. In this case, COUNT is not modified and the respective PEC channel services any request until it is disabled again.

When COUNT is decremented from 01<sub>H</sub> to 00<sub>H</sub> after a transfer, a standard interrupt is requested which can then handle the end of the PEC block transfer (channel-specific interrupt or common end-of-PEC interrupt, see [Table 5-8](#)).

#### 5.4.4 Channel Link Mode for Data Chaining

In channel link mode, every two PEC channels build a pair (channels 0+1, 2+3, 4+5, 6+7), where the two channels of a pair are activated in turn. Requests for the even channel trigger the currently active PEC channel (or the end-of-block interrupt), while requests for the odd channel only trigger its associated interrupt node. When the transfer count of one channel expires, control is switched to the other channel, and back. This mode supports data chaining where independent blocks of data can be transferred to the same destination (or vice versa), e.g. to build communication frames from several blocks, such as preamble, data, etc.

Channel link mode for a pair of channels is enabled if at least one of the channel link control bits (bit CL in register PECCx) of the respective pair is set. A linked channel pair is controlled by the priority-settings (level, group) for its even channel. After enabling channel link mode the even channel is active.

**Channel linking is executed** if the active channel's link control bit CL is 1 at the time its transfer count decrements from 1 to 0 (count > 0 before) and the transfer count of the other channel is non-zero. In this case the active channel issues an EOP interrupt request and the respective other channel of the pair is automatically selected.

*Note: Channel linking always begins with the even channel.*

**Channel linking is terminated** if the active channel's link control bit CL is 0 at the time its transfer count decrements from 1 to 0, or if the transfer count of the respective linked channel is zero. In this case an interrupt is triggered as selected by bit EOPINT (channel-specific or general EOP interrupt).

A data-chaining sequence using PEC channel linking is programmed by setting bit CL together with a transfer count value (> 0). This is repeated, triggered by the channel link interrupts, for the complete sequence. For the last transfer, the interrupt routine should clear the respective bit CL, so, at the end of the complete transfer, either a standard or an END of PEC interrupt can be selected by bit EOPINT of the last channel.

*Note: To enable linking, initially both channels must receive a non-zero transfer count. For the rest of the sequence only the channel with the expired transfer count needs to be reconfigured.*

### 5.4.5 PEC Interrupt Control

When the selected number of PEC transfers has been executed, the respective PEC channel is disabled and a standard interrupt service routine is activated instead. Each PEC channel can either activate the associated channel-specific interrupt node, or activate its associated PEC subnode request flag in register PECISNC, which then activates the common node request flag in register EOPIC (see [Figure 5-4](#)).

#### PECISNC

**PEC Intr. Sub-Node Ctrl. Reg.      SFR (FFD8<sub>H</sub>/EC<sub>H</sub>)      Reset Value: 0000<sub>H</sub>**

15	14	13	12	11	10	9	8	7	6	5	4	3	2	1	0
<b>C7IR</b>	<b>C7IE</b>	<b>C6IR</b>	<b>C6IE</b>	<b>C5IR</b>	<b>C5IE</b>	<b>C4IR</b>	<b>C4IE</b>	<b>C3IR</b>	<b>C3IE</b>	<b>C2IR</b>	<b>C2IE</b>	<b>C1IR</b>	<b>C1IE</b>	<b>C0IR</b>	<b>C0IE</b>
rwh	rw	rwh	rw	rwh	rw	rwh	rw	rwh	rw	rwh	rw	rwh	rw	rwh	rw

Field	Bits	Type	Description
<b>CxIR</b> <b>x = 7 ... 0</b>	[2x+1]	rwh	<b>Interrupt Request Flag of PEC Channel x</b> 0 No request from PEC channel x pending 1 PEC channel x has raised an end-of-PEC interrupt request  <i>Note: These request flags must be cleared by SW.</i>
<b>CxIE</b> <b>x = 7 ... 0</b>	[2x]	rw	<b>Interrupt Enable Control Bit of PEC Channel x</b> (individually enables/disables a specific source) 0 End-of-PEC request of channel x disabled 1 End-of-PEC request of channel x enabled <sup>1)</sup>

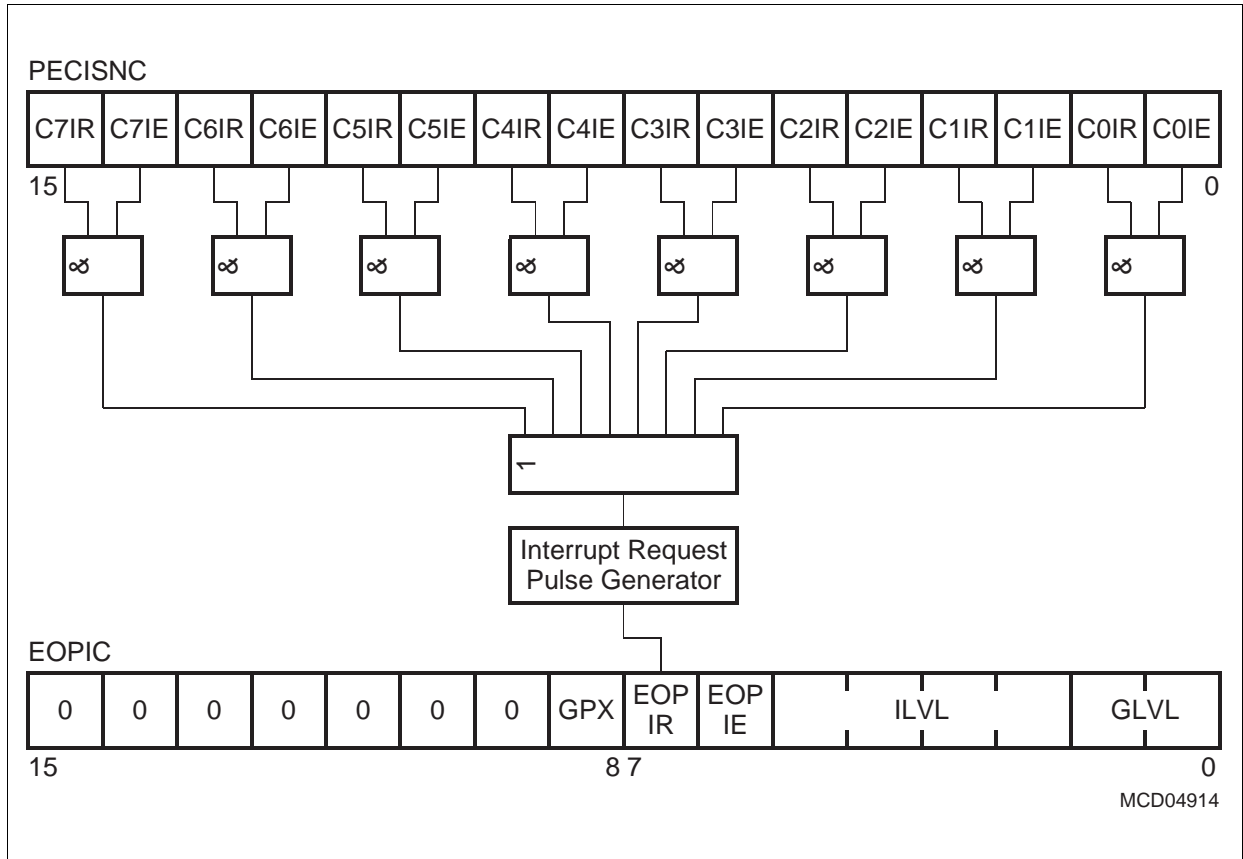
1) It is recommended to clear an interrupt request flag (CxIR) before setting the respective enable flag (CxIE). Otherwise, former requests still pending cannot trigger a new interrupt request.

#### EOPIC

**End-of-PEC Intr. Ctrl. Reg.      ESFR (F19E<sub>H</sub>/CF<sub>H</sub>)      Reset Value: 0000<sub>H</sub>**

15	14	13	12	11	10	9	8	7	6	5	4	3	2	1	0
-	-	-	-	-	-	-	<b>GPX</b>	<b>EOP IR</b>	<b>EOP IE</b>	<b>ILVL</b>			<b>GLVL</b>		
-	-	-	-	-	-	-	rw	rwh	rw	rw			rw		

*Note: Please refer to the general Interrupt Control Register description for an explanation of the control fields.*



**Figure 5-4 End of PEC Interrupt Sub Node**

*Note: The interrupt service routine must service and clear all currently active requests before terminating. Requests occurring later will set EOPIR again and the service routine will be re-entered.*

## 5.5 Prioritization of Interrupt and PEC Service Requests

Interrupt and PEC service requests from all sources can be enabled so they are arbitrated and serviced (if they win), or they may be disabled, so their requests are disregarded and not serviced.

**Enabling and disabling interrupt requests** may be done via three mechanisms:

- Control Bits
- Priority Level
- ATOMIC and EXTENDED Instructions

**Control Bits** allow switching of each individual source “ON” or “OFF” so that it may generate a request or not. The control bits (xxIE) are located in the respective interrupt control registers. All interrupt requests may be enabled or disabled generally via bit IEN in register PSW. This control bit is the “main switch” which selects if requests from any source are accepted or not.

For a specific request to be arbitrated, the respective source’s enable bit and the global enable bit must both be set.

**The Priority Level** automatically selects a certain group of interrupt requests to be acknowledged and ignores all other requests. The priority level of the source that won the arbitration is compared against the CPU’s current level and the source is serviced only if its level is higher than the current CPU level. Changing the CPU level to a specific value via software blocks all requests on the same or a lower level. An interrupt source assigned to level 0 will be disabled and will never be serviced.

**The ATOMIC and EXTEND instructions** automatically disable all interrupt requests for the duration of the following 1 ... 4 instructions. This is useful for semaphore handling, for example, and does not require to re-enable the interrupt system after the inseparable instruction sequence.

### Interrupt Class Management

An interrupt class covers a set of interrupt sources with the same importance, i.e. the same priority from the system’s viewpoint. Interrupts of the same class must not interrupt each other. The XC2000 supports this function with two features:

Classes with up to eight members can be established by using the same interrupt priority (ILVL) and assigning a dedicated group level to each member. This functionality is built-in and handled automatically by the interrupt controller.

Classes with more than eight members can be established by using a number of adjacent interrupt priorities (ILVL) and the respective group levels (eight per ILVL). Each interrupt service routine within this class sets the CPU level to the highest interrupt priority within the class. All requests from the same or any lower level are blocked now, i.e. no request of this class will be accepted.



**Preliminary**

**Interrupt and Trap Functions**

The example shown below establishes 3 interrupt classes which cover 2 or 3 interrupt priorities, depending on the number of members in a class. A level 6 interrupt disables all other sources in class 2 by changing the current CPU level to 8, which is the highest priority (ILVL) in class 2. Class 1 requests or PEC requests are still serviced, in this case.

In this way, the interrupt sources (excluding PEC requests) are assigned to 3 classes of priority rather than to 7 different levels, as the hardware support would do.

**Table 5-9 Software Controlled Interrupt Classes (Example)**

ILVL (Priority)	Group Level								Interpretation
	7	6	5	4	3	2	1	0	
15									PEC service on up to 8 channels
14									
13									
12	X	X	X	X	X	X	X	X	Interrupt Class 1 9 sources on 2 levels
11	X								
10									
9									
8	X	X	X	X	X	X	X	X	Interrupt Class 2 17 sources on 3 levels
7	X	X	X	X	X	X	X	X	
6	X								
5	X	X	X	X	X	X	X	X	Interrupt Class 3 9 sources on 2 levels
4	X								
3									
2									
1									
0									No service!

## 5.6 Context Switching and Saving Status

Before an interrupt request that has been arbitrated is actually serviced, the status of the current task is automatically saved on the system stack. The CPU status (PSW) is saved together with the location at which execution of the interrupted task is to be resumed after returning from the service routine. This return location is specified through the Instruction Pointer (IP) and, in the case of a segmented memory model, the Code Segment Pointer (CSP). Bit SGTDIS in register CPUCON1 controls how the return location is stored.

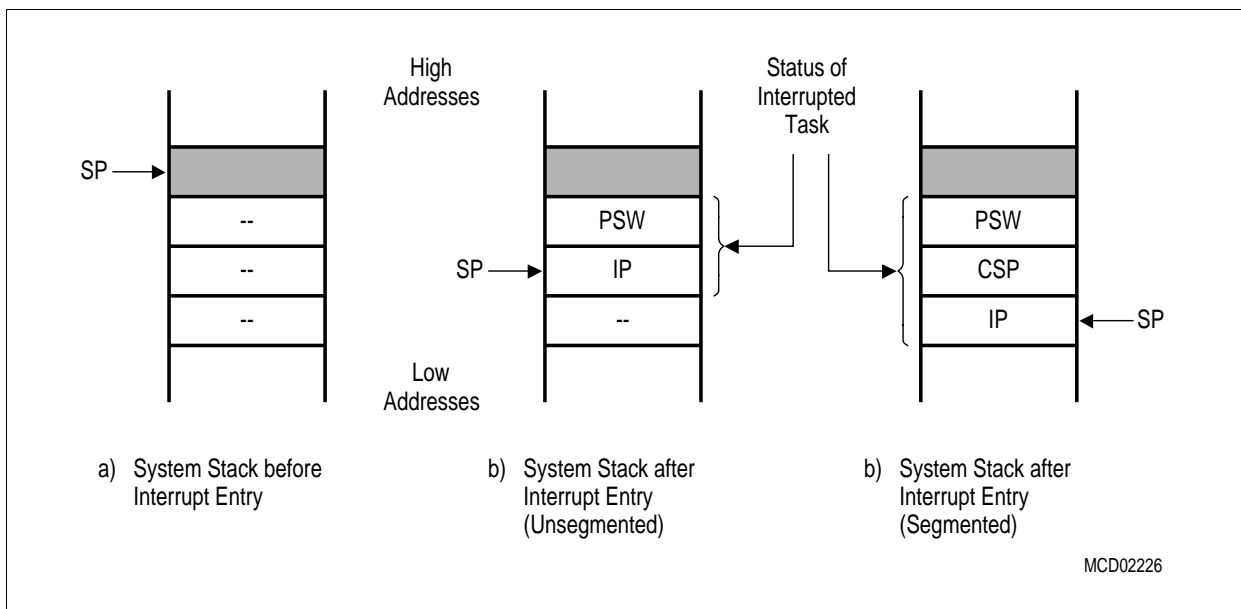
The system stack receives the PSW first, followed by the IP (unsegmented), or followed by CSP and then IP (segmented mode). This optimizes the usage of the system stack if segmentation is disabled.

The CPU priority field (ILVL in PSW) is updated with the priority of the interrupt request to be serviced, so the CPU now executes on the new level.

The register bank select field (BANK in PSW) is changed to select the register bank associated with the interrupt request. The association between interrupt requests and register banks are partly pre-defined and can partly be programmed.

The interrupt request flag of the source being serviced is cleared. IP and CSP are loaded with the vector associated with the requesting source, and the first instruction of the service routine is fetched from the vector location which is expected to branch to the actual service routine (except when the interrupt jump table cache is used). All other CPU resources, such as data page pointers and the context pointer, are not affected.

When the interrupt service routine is exited (RETI is executed), the status information is popped from the system stack in the reverse order, taking into account the value of bit SGTDIS.



**Figure 5-5 Task Status Saved on the System Stack**

**Context Switching**

An interrupt service routine usually saves all the registers it uses on the stack and restores them before returning. The more registers a routine uses, the more time is spent saving and restoring. The XC2000 allows switching the complete bank of CPU registers (GPRs) either automatically or with a single instruction, so the service routine executes within its own separate context (see also [Section 4.5.2](#)).

There are two ways to switch the context in the XC2000 core:

**Switching Context of the Global Register Bank** changes the complete global register bank of CPU registers (GPRs) by changing the Context Pointer with a single instruction, so the service routine executes within its own separate context. The instruction “SCXT CP, #New\_Bank” pushes the contents of the context pointer (CP) on the system stack and loads CP with the immediate value “New\_Bank”; this in turn, selects a new register bank. The service routine may now use its “own registers”. This register bank is preserved when the service routine terminates, i.e. its contents are available on the next call. Before returning (RETI), the previous CP is simply POPped from the system stack, which returns the registers to the original global bank.

Resources used by the interrupting program, such as the DPPs, must eventually be saved and restored.

*Note: There are certain timing restrictions during context switching that are associated with pipeline behavior.*

**Switching Context by changing the selected register bank** automatically updates bitfield BANK to select one of the two local register banks or the current global register bank, so the service routine may now use its “own registers” directly. This local register bank is preserved when the service routine is terminated; thus, its contents are available on the next call.

When switching to the global register bank, the service routine usually must also switch the context of the global register bank to get a private set of GPRs, because the global bank is likely to be used by several tasks.

For interrupt priority levels 15 ... 12 the target register bank can be pre-selected and then be switched automatically. The register bank selection registers BNKSELx provide a 2-bit field for each possible arbitration priority level. The respective bitfield is then copied to bitfield BANK in register PSW to select the register bank, as soon as the respective interrupt request is accepted.

**Table 5-10** identifies the arbitration priority level assignment to the respective bitfields within the four register bank selection registers.

Preliminary

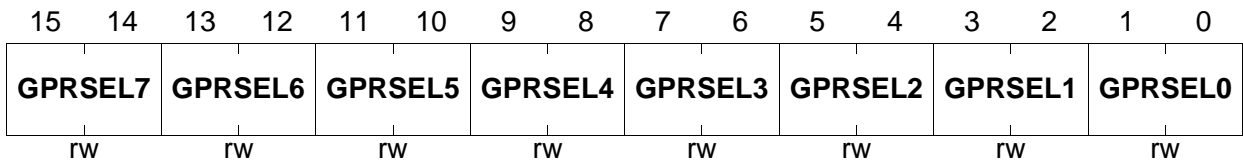
Interrupt and Trap Functions

**BNKSELx**

**Register Bank Select Reg. x**

**XSFR (Table 5-10)**

**Reset Value: 0000<sub>H</sub>**



Field	Bits	Type	Description
<b>GPRSELy</b> (y = 7 ... 0)	[2y+1 :2y]	rw	<b>Register Bank Selection</b> 00 Global register bank 01 Reserved 10 Local register bank 1 11 Local register bank 2

**Table 5-10 Assignment of Register Bank Control Fields**

Bank Select Control Register		Interrupt Node Priority		Notes
Register Name	Bitfields	Intr. Level	Group Levels	
BNKSEL0 (EC20 <sub>H</sub> /--)	GPRSEL0 ... 3	12	0 ... 3	Lower group levels
	GPRSEL4 ... 7	13	0 ... 3	
BNKSEL1 (EC22 <sub>H</sub> /--)	GPRSEL0 ... 3	14	0 ... 3	Upper group levels
	GPRSEL4 ... 7	15	0 ... 3	
BNKSEL2 (EC24 <sub>H</sub> /--)	GPRSEL0 ... 3	12	4 ... 7	Upper group levels
	GPRSEL4 ... 7	13	4 ... 7	
BNKSEL3 (EC26 <sub>H</sub> /--)	GPRSEL0 ... 3	14	4 ... 7	Upper group levels
	GPRSEL4 ... 7	15	4 ... 7	

## 5.7 Interrupt Node Sharing

Interrupt nodes may be shared among several module requests if either the requests are generated mutually exclusively or the requests are generated at a low rate. If more than one source is enabled in this case, the interrupt handler will first need to determine the requesting source. However, this overhead is not critical for low rate requests.

This node sharing is either controlled via interrupt sub-node control registers (ISNC) which provide separate request flags and enable bits for each supported request source, or via register ISSR, where each bit selects one of two interrupt sources. The interrupt level used for arbitration is determined by the node control register (... IC).

The specific request flags within ISNC registers must be reset by software, contrary to the node request bits which are cleared automatically.

**Table 5-11 Sub-Node Control Bit Allocation**

<b>Interrupt Node</b>	<b>Interrupt Sources</b>	<b>Control</b>
EOPIC	PEC channels 7 ... 0	PECISNC
RTC_IC	RTC: overflow of T14, CNT0 ... CNT3	RTC_ISNC
CC2_CC16IC	CAPCOM2 request, ERU request 0	ISSR
CC2_CC17IC	CAPCOM2 request, ERU request 1	ISSR
CC2_CC18IC	CAPCOM2 request, ERU request 2	ISSR
CC2_CC19IC	CAPCOM2 request, ERU request 3	ISSR
CC2_CC20IC	CAPCOM2 request, USIC0 request 6	ISSR
CC2_CC21IC	CAPCOM2 request, USIC0 request 7	ISSR
CC2_CC22IC	CAPCOM2 request, USIC1 request 6	ISSR
CC2_CC23IC	CAPCOM2 request, USIC1 request 7	ISSR
CC2_CC24IC	CAPCOM2 request, ERU request 0	ISSR
CC2_CC25IC	CAPCOM2 request, ERU request 1	ISSR
CC2_CC26IC	CAPCOM2 request, ERU request 2	ISSR
CC2_CC27IC	CAPCOM2 request, ERU request 3	ISSR
CC2_CC28IC	CAPCOM2 request, USIC2 request 6	ISSR
CC2_CC29IC	CAPCOM2 request, USIC2 request 7	ISSR

## 5.8 External Interrupts

Although the XC2000 has no dedicated INTR input pins, it supports many possibilities to react to external asynchronous events. It does this by using a number of IO lines for interrupt input. The interrupt function may be either combined with the pin's main function or used instead of it if the main pin function is not required.

The **External Request Unit** (see [Section 6.4](#)) provides flexible trigger signals with selectable qualifiers, which can directly control peripherals (ADC, MultiCAN) or generate additional interrupt/PEC requests from external input signals.

**Table 5-12 Pins Usable as External Interrupt Inputs**

Port Pin	Original Function	Control Register
P4.7-0/CC31-24IO	CAPCOM Register 31-24 Capture Input	CC31-CC24
P2.10-3/CC23-16IO	CAPCOM Register 23-16 Capture Input <sup>1)</sup>	CC23-CC16
P4.2/T2IN	Auxiliary timer T2 input pin	T2CON
P4.6/T4IN	Auxiliary timer T4 input pin	T4CON
P2.10/CAPIN	GPT2 capture input pin <sup>1)</sup>	T5CON

1) Pin P2.10 overlays two possible input functions.

For each of these pins, either a positive, a negative, or both a positive and a negative external transition can be selected to cause an interrupt or PEC service request. The edge selection is performed in the control register of the peripheral device associated with the respective port pin (separate control for ERU inputs). The peripheral must be programmed to a specific operating mode to allow generation of an interrupt by the external signal. The priority of the interrupt request is determined by the interrupt control register of the respective peripheral interrupt source, and the interrupt vector of this source will be used to service the external interrupt request.

*Note: In order to use any of the listed pins as an external interrupt input, it must be switched to input mode via its port control register.*

When port pins CCxIO are to be used as external interrupt input pins, bitfield CCMODx in the control register of the corresponding capture/compare register CCx must select capture mode. When CCMODx is programmed to 001<sub>B</sub>, the interrupt request flag CCxIR in register CCxIC will be set on a positive external transition at pin CCxIO. When CCMODx is programmed to 010<sub>B</sub>, a negative external transition will set the interrupt request flag. When CCMODx = 011<sub>B</sub>, both a positive and a negative transition will set the request flag. In all three cases, the contents of the allocated CAPCOM timer will be latched into capture register CCx, independent of whether or not the timer is running. When the interrupt enable bit CCxIE is set, a PEC request or an interrupt request for vector CCxINT will be generated.

**Preliminary****Interrupt and Trap Functions**

Pins T2IN or T4IN can be used as external interrupt input pins when the associated auxiliary timer T2 or T4 in block GPT1 is configured for capture mode. This mode is selected by programming the mode control fields T2M or T4M in control registers T2CON or T4CON to  $101_B$ . The active edge of the external input signal is determined by bitfields T2I or T4I. When these fields are programmed to  $X01_B$ , interrupt request flags T2IR or T4IR in registers T2IC or T4IC will be set on a positive external transition at pins T2IN or T4IN, respectively. When T2I or T4I is programmed to  $X10_B$ , then a negative external transition will set the corresponding request flag. When T2I or T4I is programmed to  $X11_B$ , both a positive and a negative transition will set the request flag. In all three cases, the contents of the core timer T3 will be captured into the auxiliary timer registers T2 or T4 based on the transition at pins T2IN or T4IN. When the interrupt enable bits T2IE or T4IE are set, a PEC request or an interrupt request for vector T2INT or T4INT will be generated.

Pin CAPIN differs slightly from the timer input pins as it can be used as external interrupt input pin without affecting peripheral functions. When the capture mode enable bit T5SC in register T5CON is cleared to '0', signal transitions on pin CAPIN will only set the interrupt request flag CRIR in register CRIC, and the capture function of register CAPREL is not activated.

So register CAPREL can still be used as reload register for GPT2 timer T5, while pin CAPIN serves as external interrupt input. Bitfield CI in register T5CON selects the effective transition of the external interrupt input signal. When CI is programmed to  $01_B$ , a positive external transition will set the interrupt request flag.  $CI = 10_B$  selects a negative transition to set the interrupt request flag, and with  $CI = 11_B$ , both a positive and a negative transition will set the request flag. When the interrupt enable bit CRIE is set, an interrupt request for vector CRINT or a PEC request will be generated.

## **5.9 OCDS Requests**

The OCDS module issues high-priority break requests or standard service requests. The break requests are routed directly to the CPU (like the hardware trap requests) and are prioritized there. Therefore, break requests ignore the standard interrupt arbitration and receive highest priority.

The standard OCDS service requests are routed to the CPU Action Control Unit together with the arbitrated interrupt/PEC requests. The service request with the higher priority is sent to the CPU to be serviced. If both the interrupt/PEC request and the OCDS request have the same priority level, the interrupt/PEC request wins.

This approach ensures precise break control, while affecting the system behavior as little as possible.

The CPU Action Control Unit also routes back request acknowledges and denials from the core to the corresponding requestor.



## 5.10 Service Request Latency

The numerous service requests of the XC2000 (requests for interrupt or PEC service) are generated asynchronously with respect to the execution of the instruction flow. Therefore, these requests are arbitrated and are inserted into the current instruction stream. This decouples the service request handling from the currently executed instruction stream, but also leads to a certain latency.

The request latency is the time from activating a request signal at the interrupt controller (ITC) until the corresponding instruction reaches the pipeline's execution stage.

**Table 5-13** lists the consecutive steps required for this process.

**Table 5-13 Steps Contributing to Service Request Latency**

Description of Step	Interrupt Response	PEC Response
Request arbitration in 3 stages, leads to acceptance by the CPU (see <a href="#">Section 5.2</a> )	3 cycles	3 cycles
Injection of an internal instruction into the pipeline's instruction stream	4 cycles	4 cycles
The first instruction fetched from the interrupt vector table reaches the pipeline's execution stage	4 cycles / 0 <sup>1)</sup>	- - -
Resulting minimum request latency	11/7 cycles	7 cycles

1) Can be saved by using the interrupt jump table cache (see [Section 5.3](#)).

### Sources for Additional Delays

Because the service requests are inserted into the current instruction stream, the properties of this instruction stream can influence the request latency.

**Table 5-14 Additional Delays Caused by System Logic**

Reason for Delay	Interrupt Response	PEC Response
Interrupt controller busy, because the previous interrupt request is still in process	max. 7 cycles	max. 7 cycles
Pipeline is stalled, because instructions preceding the injected instruction in the pipeline need to write/read data to/from a peripheral or memory	$2 \times T_{ACCmax}^{1)}$	$2 \times T_{ACCmax}$
Pipeline cancelled, because instructions preceding the injected instruction in the pipeline update core SFRs	4 cycles	4 cycles
Memory access for stack writes (if not to DPRAM or DSRAM)	$2/3 \times T_{ACC}^{2)}$	- - -
Memory access for vector table read (except for intr. jump table cache)	$2 \times T_{ACC}$	- - -

1) This is the longest possible access time within the XC2000 system.

2) Depending on segmentation off/on.

The actual response to an interrupt request may be delayed further depending on programming techniques used by the application. The following factors can contribute:

- Actual interrupt service routine is only reached via a JUMP from the interrupt vector table.  
Time-critical instructions can be placed directly into the interrupt vector table, followed by a branch to the remaining part of the interrupt service routine. The space between two adjacent vectors can be selected via bitfield VECSC in register CPUCON1.
- Context switching is executed before the intended action takes place (see [Section 5.6](#))  
Time-critical instructions can be programmed “non-destructive” and can be executed before switching context for the remaining part of the interrupt service routine.

## 5.11 Trap Functions

Traps interrupt current execution in a manner similar to standard interrupts. However, trap functions offer the possibility to bypass the interrupt system's prioritization process for cases in which immediate system reaction is required. Trap functions are not maskable and always have priority over interrupt requests on any priority level.

The XC2000 provides two different kinds of trapping mechanisms: **Hardware Traps** are triggered by events that occur during program execution (such as illegal access or undefined opcode); **Software Traps** are initiated via an instruction within the current execution flow.

### Software Traps

The TRAP instruction causes a software call to an interrupt service routine. The vector number specified in the operand field of the trap instruction determines which vector location in the vector table will be branched to.

Executing a TRAP instruction causes an effect similar to the occurrence of an interrupt at the same vector. PSW, CSP (in segmentation mode), and IP are pushed on the internal system stack and a jump is taken to the specified vector location. When a trap is executed, the CSP for the trap service routine is loaded from register VECSEG. No Interrupt Request flags are affected by the TRAP instruction. The interrupt service routine called by a TRAP instruction must be terminated with a RETI (return from interrupt) instruction to ensure correct operation.

*Note: The CPU priority level and the selected register bank in register PSW are not modified by the TRAP instruction, so the service routine is executed on the same priority level from which it was invoked. Therefore, the service routine entered by the TRAP instruction uses the original register bank and can be interrupted by other traps or higher priority interrupts, other than when triggered by a hardware event.*

### Hardware Traps

Hardware traps are issued by faults or specific system states which occur during runtime of a program (not identified at assembly time). A hardware trap may also be triggered intentionally, for example: to emulate additional instructions by generating an Illegal Opcode trap. The XC2000 distinguishes nine different hardware trap functions. When a hardware trap condition has been detected, the CPU branches to the trap vector location for the respective trap condition. The instruction which caused the trap is completed before the trap handling routine is entered.

Hardware traps are non-maskable and always have priority over every other CPU activity. If several hardware trap conditions are detected within the same instruction cycle, the highest priority trap is serviced (see [Table 5-3](#)).

**Preliminary****Interrupt and Trap Functions**

PSW, CSP (in segmentation mode), and IP are pushed on the internal system stack and the CPU level in register PSW is set to the highest possible priority level (level 15), disabling all interrupts. The global register bank is selected. Execution branches to the respective trap vector in the vector table. A trap service routine must be terminated with the RETI instruction.

The nine hardware trap functions of the XC2000 are divided into two classes:

**Class A traps are:**

- System Request 0 (SR0)
- Stack Overflow
- Stack Underflow trap
- Software Break

These traps share the same trap priority, but have individual vector addresses.

**Class B traps are:**

- System Request 1 (SR1)
- Undefined Opcode
- Memory Access Error
- Protection Fault
- Illegal Word Operand Access

The Class B traps share the same trap priority and the same vector address.

The bit-addressable Trap Flag Register (TFR) allows a trap service routine to identify the kind of trap which caused the exception. Each trap function is indicated by a separate request flag. When a hardware trap occurs, the corresponding request flag in register TFR is set to '1'.

The reset functions may be regarded as a type of trap. Reset functions have the highest system priority (trap priority III).

Class A traps have the second highest priority (trap priority II), on the 3<sup>rd</sup> rank are Class B traps, so a Class A trap can interrupt a Class B trap. If more than one Class A trap occur at a time, they are prioritized internally, with the SR0 trap at the highest and the software break trap at the lowest priority.

In the case where e.g. an Undefined Opcode trap (class B) occurs simultaneously with an SR0 trap (class A), both the SR0 and the UNDOPC flag is set, the IP of the instruction with the undefined opcode is pushed onto the system stack, but the SR0 trap is executed. After return from the SR0 service routine, the IP is popped from the stack and immediately pushed again because of the pending UNDOPC trap.

*Note: The trap service routine must clear the respective trap flag; otherwise, a new trap will be requested after exiting the service routine. Setting a trap request flag by software causes the same effects as if it had been set by hardware.*

Preliminary

Interrupt and Trap Functions

TFR

Trap Flag Register

SFR (FFAC<sub>H</sub>/D6<sub>H</sub>)

Reset Value: 0000<sub>H</sub>

	15	14	13	12	11	10	9	8	7	6	5	4	3	2	1	0
	<b>SR0</b>	<b>STK OF</b>	<b>STK UF</b>	<b>SOFT BRK</b>	<b>SR1</b>	-	-	-	<b>UNDOPC</b>	-	-	<b>ACER</b>	<b>PRTFLT</b>	<b>ILLOPA</b>	-	-
	rwh	rwh	rwh	rwh	rwh	-	-	-	rwh	-	-	rwh	rwh	rwh	-	-

Field	Bits	Type	Description
<b>SR0</b>	15	rwh	<b>System Request 0 Flag</b> 0 No trigger detected 1 The selected condition has been detected
<b>STKOF</b>	14	rwh	<b>Stack Overflow Flag</b> 0 No stack overflow event detected 1 The current stack pointer value falls below the contents of register STKOV
<b>STKUF</b>	13	rwh	<b>Stack Underflow Flag</b> 0 No stack underflow event detected 1 The current stack pointer value exceeds the contents of register STKUN
<b>SOFTBRK</b>	12	rwh	<b>Software Break</b> 0 No software break event detected 1 Software break event detected
<b>SR1</b>	11	rwh	<b>System Request 1 Flag</b> 0 No trigger detected 1 The selected condition has been detected
<b>UNDOPC</b>	7	rwh	<b>Undefined Opcode</b> 0 No undefined opcode event detected 1 The currently decoded instruction has no valid XC2000 opcode
<b>ACER</b>	4	rwh	<b>Memory Access Error</b> 0 No access error event detected 1 Illegal or erroneous access detected
<b>PRTFLT</b>	3	rwh	<b>Protection Fault</b> 0 No protection fault event detected 1 A protected instruction with an illegal format has been detected

Field	Bits	Type	Description
ILLOPA	2	rwh	<b>Illegal Word Operand Access</b>
			0 No illegal word operand access event detected 1 A word operand access (read or write) to an odd address has been attempted

### Class A Traps

Class A traps are generated by the high priority system request SR0 or by special CPU events such as the software break, a stack overflow, or an underflow event. Class A traps are not used to indicate hardware failures. After a Class A event, a dedicated service routine is called to react on the events. Each Class A trap has its own vector location in the vector table. Class A traps cannot interrupt atomic/extend sequences and I/O accesses in progress, because after finishing the service routine, the instruction flow must be further correctly executed. For example, an interrupted extend sequence cannot be restarted. All Class A traps are generated in the pipeline during the execution of instructions, except for SR0, which is an asynchronous external event. Class A trap events can be generated only during the memory stage of execution, so traps cannot be generated by two different instructions in the pipeline in the same CPU cycle. The execution of instructions which caused a Class A trap event is always completed. In the case of an atomic/extend sequence or I/O read access in progress, the complete sequence is executed. Upon completion of the instruction or sequence, the pipeline is canceled and the IP of the instruction following the last one executed is pushed on the stack. Therefore, in the case of a Class A trap, the stack always contains the IP of the first not-executed instruction in the instruction flow.

*Note: The Branch Folding Unit allows the execution of a branch instruction in parallel with the preceding instruction. The pre-processed branch instruction is combined with the preceding instruction. The branch is executed together with the instruction which caused the Class A trap. The IP of the first following not-executed instruction in the instruction flow is then pushed on the stack.*

If more than one Class A trap occur at the same time, they are prioritized internally. The SR0 trap has the highest priority and the software break has the lowest.

*Note: In the case of two different Class A traps occurring simultaneously, both trap flags are set. The IP of the instruction following the last one executed is pushed on the stack. The trap with the higher priority is executed. After return from the service routine, the IP is popped from the stack and immediately pushed again because of the other pending Class A trap (unless the trap related to the second trap flag in TFR has been cleared by the first trap service routine).*

**Class B Traps**

Class B traps are generated by unrecoverable hardware failures. In the case of a hardware failure, the CPU must immediately start a failure service routine. Class B traps can interrupt an atomic/extend sequence and an I/O read access. After finishing the Class B service routine, a restoration of the interrupted instruction flow is not possible.

All Class B traps have the same priority (trap priority I). When several Class B traps become active at the same time, the corresponding flags in the TFR register are set and the trap service routine is entered. Because all Class B traps have the same vector, the priority of service of simultaneously occurring Class B traps is determined by software in the trap service routine.

The access error (ACER) and system request 1 (SR1) are asynchronous external (to the CPU) events, while all other Class B traps are generated in the pipeline during the execution of instructions. Class B trap events can be generated only during the memory stage of execution, so traps cannot be generated by two different instructions in the pipeline in the same CPU cycle. Instructions which caused a Class B trap event are always executed, then the pipeline is canceled and the IP of the instruction following the one which caused the trap is pushed on the stack. Therefore, the stack always contains the IP of the first following not-executed instruction in the instruction flow.

*Note: The Branch Folding Unit allows the execution of a branch instruction in parallel with the preceding instruction. The pre-processed branch instruction is combined with the preceding instruction. The branch is executed together with the instruction causing the Class B trap. The IP of the first following not-executed instruction in the instruction flow is pushed on the stack.*

A Class A trap occurring during the execution of a Class B trap service routine will be serviced immediately. During the execution of a Class A trap service routine, however, any Class B trap occurring will not be serviced until the Class A trap service routine is exited with a RETI instruction. In this case, the occurrence of the Class B trap condition is stored in the TFR register, but the IP value of the instruction which caused this trap is lost.

*Note: If a Class A trap occurs simultaneously with a Class B trap, both trap flags are set. The IP of the instruction following the one which caused the trap is pushed into the stack, and the Class A trap is executed. If this occurs during execution of an atomic/extend sequence or I/O read access in progress, then the presence of the Class B trap breaks the protection of atomic/extend operations and the Class A trap will be executed immediately without waiting for the sequence completion. After return from the service routine, the IP is popped from the system stack and immediately pushed again because of the other pending Class B trap. In this situation, the restoration of the interrupted instruction flow is not possible.*

**System Request 0 Trap (A)**

Whenever a high-to-low transition on the respective CPU-input is detected (i.e. the defined condition has become true), the SR0 flag in register TFR is set and the CPU will enter the SR0 trap routine.

**Stack Overflow Trap (A)**

Whenever the stack pointer is implicitly decremented and the stack pointer is equal to the value in the stack overflow register STKOV, the STKOF flag in register TFR is set and the CPU will enter the stack overflow trap routine.

For recovery from stack overflow, it must be ensured that there is enough excess space on the stack to save the current system state twice (PSW, IP, in segmented mode also CSP). Otherwise, a system reset should be generated.

**Stack Underflow Trap (A)**

Whenever the stack pointer is implicitly incremented and the stack pointer is equal to the value in the stack underflow register STKUN, the STKUF flag is set in register TFR and the CPU will enter the stack underflow trap routine.

**Software Break Trap (A)**

When the instruction currently being executed by the CPU is a SBRK instruction, the SOFTBRK flag is set in register TFR and the CPU enters the software break debug routine. The flag generation of the software break instruction can be disabled by the On-chip Emulation Module. In this case, the instruction only breaks the instruction flow and signals this event to the debugger, the flag is not set and the trap will not be executed.

**System Request 1 Trap (B)**

Whenever a high-to-low transition on the respective CPU-input is detected (i.e. the defined condition has become true), the SR1 flag in register TFR is set and the CPU will enter the SR1 trap routine.

**Undefined Opcode Trap (B)**

When the instruction currently decoded by the CPU does not contain a valid XC2000 opcode, the UNDOPC flag is set in register TFR and the CPU enters the undefined opcode trap routine. The instruction that causes the undefined opcode trap is executed as a NOP.

This can be used to emulate unimplemented instructions. The trap service routine can examine the faulting instruction to decode operands for unimplemented opcodes based on the stacked IP. In order to resume processing, the stacked IP value must be incremented by the size of the undefined instruction, which is determined by the user, before a RETI instruction is executed.



**Memory Access Error (B)**

When a memory access error is detected, the ACER flag is set in register TFR and the CPU enters the access error trap routine. The access error is reported in the following cases:

- access to Flash memory while it is disabled
- access to Flash memory from outside while read-protection is active
- double bit error detected when reading Flash memory
- access to reserved locations (see memory map in [Table 3-1](#))
- parity error during an access to RAM

In case of an access error, additionally the soft-trap code 1E9B<sub>H</sub> is issued.

**Protection Fault Trap (B)**

Whenever one of the special protected instructions is executed where the opcode of that instruction is not repeated twice in the second word of the instruction and the byte following the opcode is not the complement of the opcode, the PRTFLT flag in register TFR is set and the CPU enters the protection fault trap routine. The protected instructions include DISWDT, EINIT, IDLE, PWRDN, SRST, ENWDT and SRVWDT. The instruction that causes the protection fault trap is executed like a NOP.

**Illegal Word Operand Access Trap (B)**

Whenever a word operand read or write access is attempted to an odd byte address, the ILLOPA flag in register TFR is set and the CPU enters the illegal word operand access trap routine.



Preliminary

**XC2000 Derivatives  
System Units (Vol. 1 of 2)**

---

**Interrupt and Trap Functions**

## 6 System Control Unit (SCU)

The System Control Unit (SCU) of the XC2000 handles all system control tasks beside the debug related tasks which are controlled by the OCDS/Cerberus and the test related tasks which are controlled by the TCU. All functions described in this chapter are tightly coupled, thus, they are conveniently handled by one unit, the SCU.

The SCU contains the following functional sub-blocks:

- Clock Generation (see [Section 6.1 on Page 6-2](#))
- Reset Operation (see [Section 6.2 on Page 6-33](#))
- Power Supply (see [Section 6.5 on Page 6-90](#))
- Global State Control (see [Section 6.6 on Page 6-156](#))
- Wake-up Timer (see [Section 6.9 on Page 6-176](#))
- Register Access Control (see [Section 6.10.1 on Page 6-181](#))
- Watchdog Timer (see [Section 6.8 on Page 6-168](#))
- External Interrupts (see [Section 6.4 on Page 6-64](#))
- Temperature Compensation (see [Section 6.7 on Page 6-165](#))
- SCU registers and Address map (see [Section 6.13 on Page 6-220](#))

## 6.1 Clock Generation Unit

The Clock Generation Unit (CGU) allows a very flexible clock generation for XC2000. During user program execution the frequency can be programmed for an optimal ratio between performance and power consumption. Therefore the power consumption can be adapted to the actual application state.

The CGU in the XC2000 consists of a clock generator block and a clock control unit (CCU). The CGU can convert a low-frequency external clock to a high-speed internal clock, or can create a high-speed internal clock without external input.

The system clock  $f_{SYS}$  is generated out of four selectable clocks:

- PLL clock  $f_{PLL}$
- Wake-Up clock  $f_{WU}$
- The Direct Clock  $f_{OSC}$ , from pin XTAL1
- Input DIRIN as Direct Clock Input  $f_{DIR}$

The RTC clock  $f_{RTC}$  which is generated out of four selectable clocks:

- PLL clock  $f_{PLL}$
- The Direct Clock from pin XTAL1  $f_{OSC}$
- Input DIRIN as Direct Clock Input  $f_{DIR}$
- Input DRTC as Direct Clock Input  $f_{DRTC}$

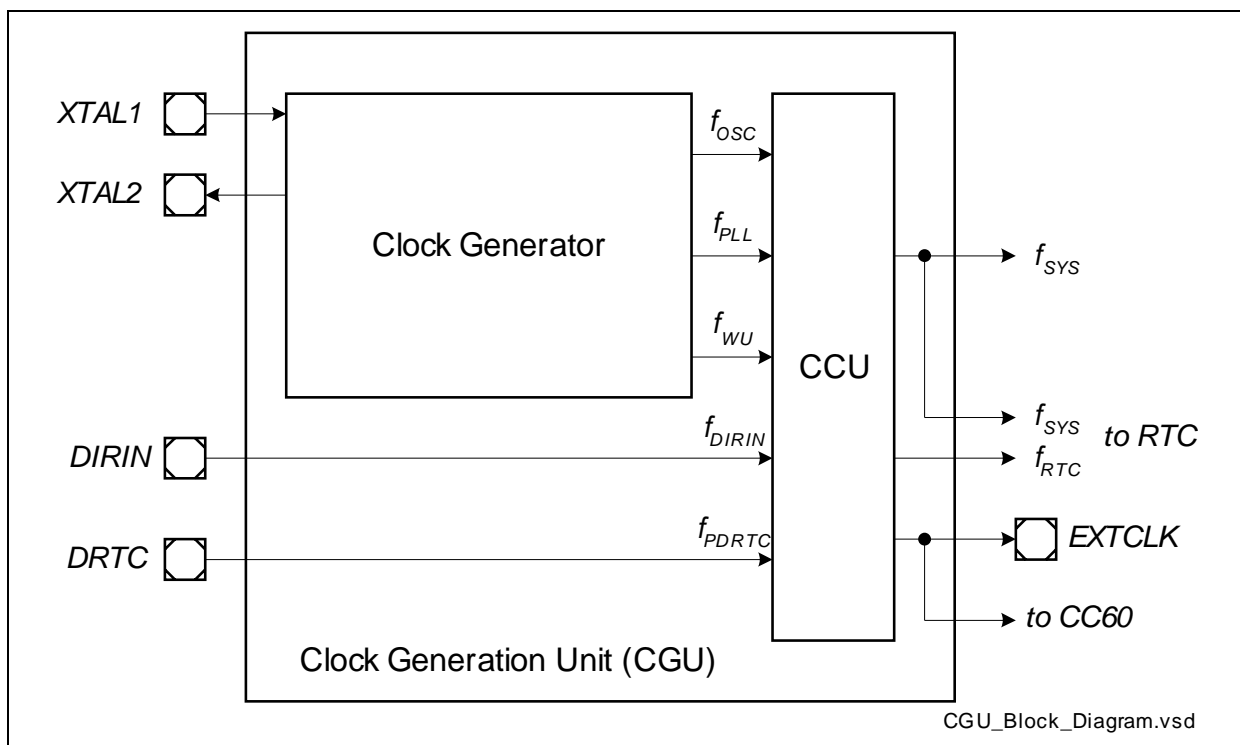
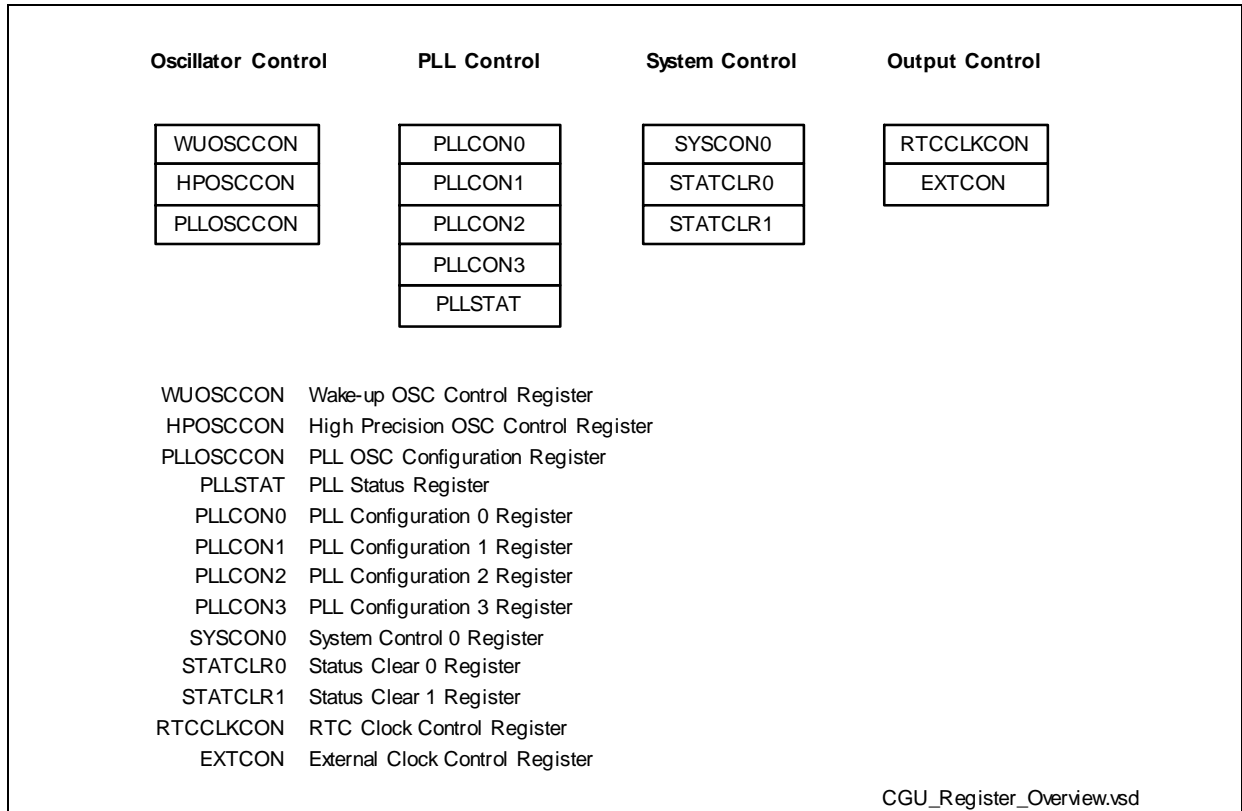


Figure 6-1 Clock Generation Unit Block Diagram

The CGU is controlled by a number of registers, shown in [Figure 6-2](#). The following sections describe the different parts of the CGU.



**Figure 6-2 Clock Generation Unit Register Overview**

### 6.1.1 Wake-Up Clock Circuit (OSC\_WU)

The wake-up clock circuit provides  $f_{WU}$  as output.

The clock frequency can be configured via bit field WUOSCCON.FREQSEL.

### 6.1.2 High Precision Oscillator Circuit (OSC\_HP)

The high precision oscillator circuit, designed to work with both an external crystal oscillator or an external stable clock source, consists of an inverting amplifier with XTAL1 as input, and XTAL2 as output.

[Figure 6-3](#) shows the recommended external circuitries for both operating modes, External Crystal Mode and External Input Clock Mode.

#### 6.1.2.1 External Input Clock Mode

When supplying the clock directly, not using an external crystal and bypassing the high-precision oscillator, the input frequency needs to be equal or greater than 4 MHz if the PLL VCO part is used.

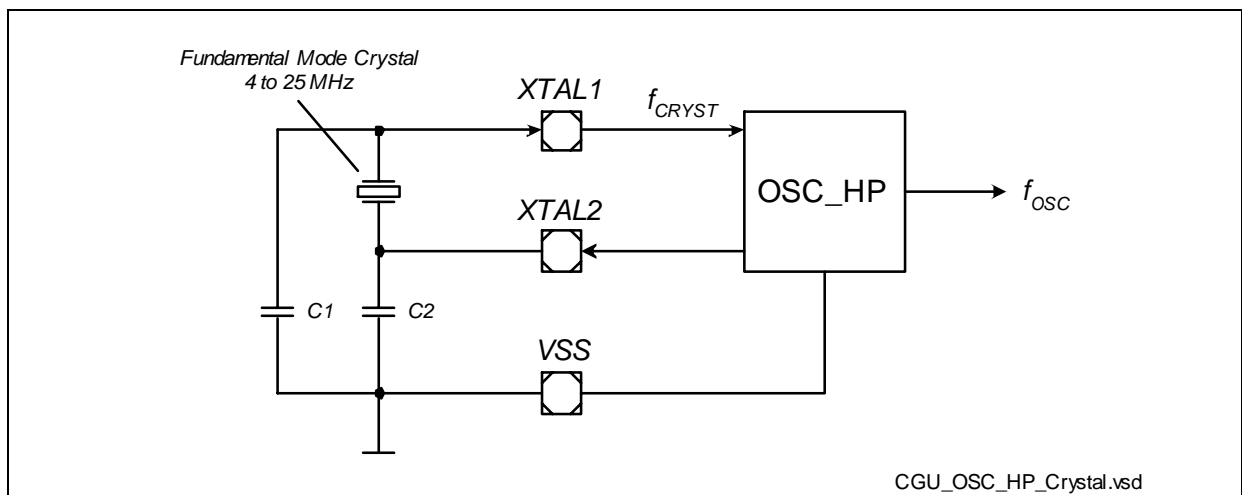
When using an external clock it must be connected to XTAL1. XTAL2 is left open (unconnected).

### 6.1.2.2 External Crystal Mode

When using an external crystal, its frequency can be within the range of 4 MHz to 25 MHz. An external oscillator load circuitry must be used, connected to both pins, XTAL1 and XTAL2. It consists normally of the two load capacitances C1 and C2, for some crystals a series damping resistor might be necessary. The exact values and related operating range are dependent on the crystal and have to be determined and optimized together with the crystal vendor using the negative resistance method. As starting point for the evaluation, the following load cap values may be used:

**Table 6-1 External CAP Capacitors**

Fundamental Mode Crystal Frequency (approx., MHz)	Load Caps C1, C2 (pF)
4	33
8	18
12	12
16	10
20	10
25	8



**Figure 6-3 XC2000 External Crystal Mode Circuitry for the High-Precision Oscillator**

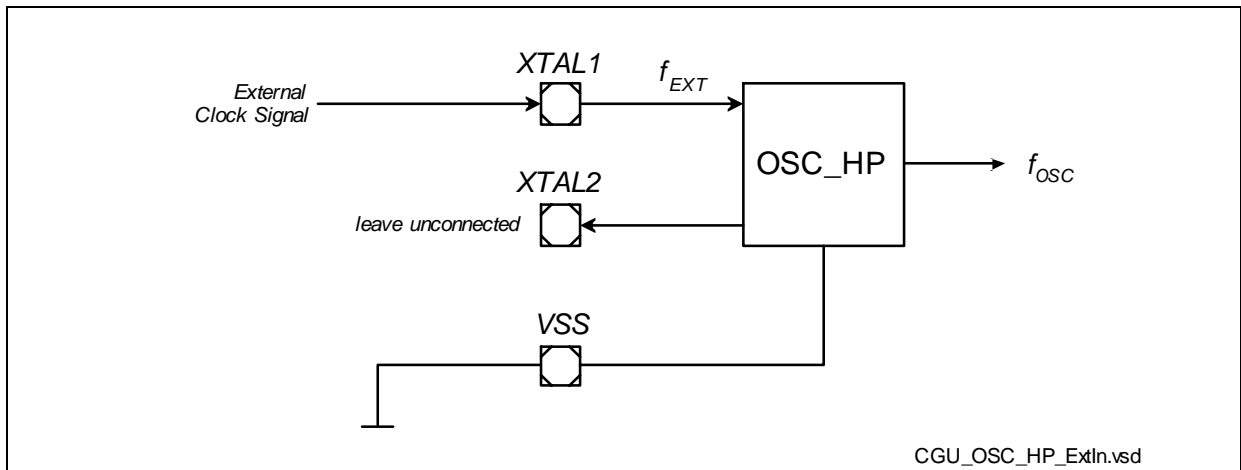


Figure 6-4 XC2000 External Clock Input Mode for the High-Precision Oscillator

### 6.1.3 Phase-Locked Loop (PLL) Module

This section describes the XC2000 PLL module.

The clock  $f_{PLL}$  is generated in one of three selectable ways:

- Prescaler Mode
- Normal Mode
- Free-Running Mode

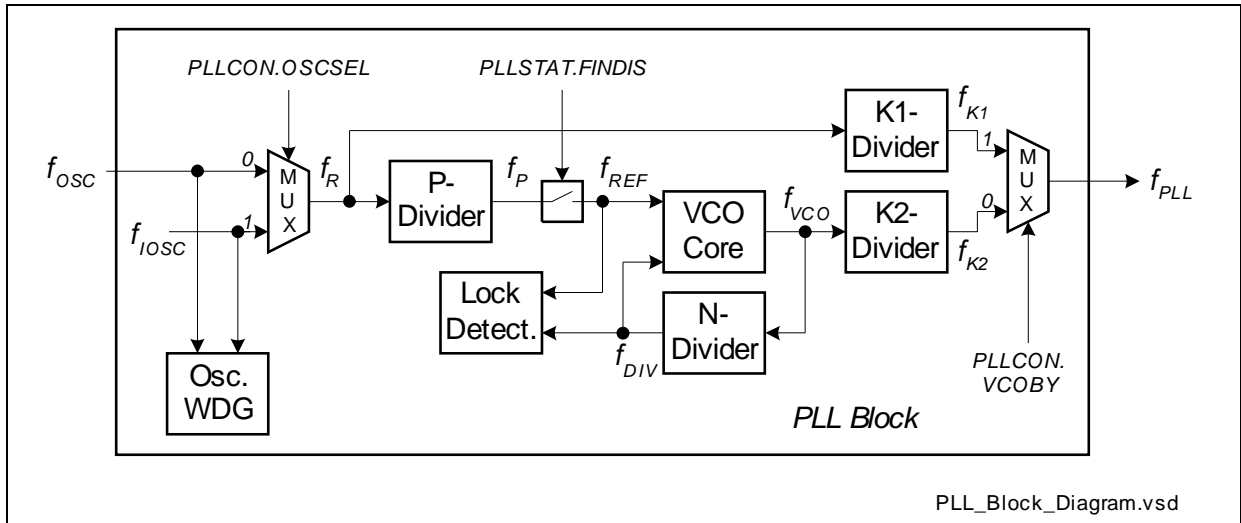
#### 6.1.3.1 Features

Here is a brief overview of the functions that are offered by the PLL.

- Programmable clock generation PLL
- VCO lock detection
- High-Precision Oscillator Watchdog
- 4 bit input divider **P**: (divide by PDIV+1)
- 6 bit feedback divider **N**: (multiply by NDIV+1)
- 10 bit output divider **K1 or K2**: (divide by either by K1DIV+1 or K2DIV+1)
- Prescaler Mode
- Free-Running Mode
- Normal Mode
- VCO Power Down (Sleep Mode)
- Glitchless switching between both K-Dividers
- Glitchless switching between Normal Mode and Prescaler Mode

#### 6.1.3.2 PLL Functional Description

The following figure shows the PLL block structure.



**Figure 6-5 PLL Block Diagram**

The reference frequency  $f_R$  can be selected to be either taken from the internal clock (IOSC), generating  $f_{INT}$ , or from an external clock source,  $f_{OSC}$ .

The PLL uses up to three dividers to manipulate the reference frequency in a configurable way. Each of the three dividers can be bypassed in defining the following PLL operating modes.

- Bypassing P, N and K2 dividers; this defines the Prescaler Mode
- Bypassing K1 divider; this defines the Normal Mode
- Bypassing K1 divider and ignoring the P divider; this defines the Free-Running Mode

**Table 6-2** shows clock source options that can be selected.

**Table 6-2 Clock Option Selection**

VCOBY	FINDISC	Mode Selected
0	0	Normal Mode
1	x	Prescaler Mode
0	1	Free-Running Mode

**Normal Mode**

In Normal Mode, the reference frequency  $f_R$  is divided down by a factor P, multiplied by a factor N, and then divided down by a factor K2.



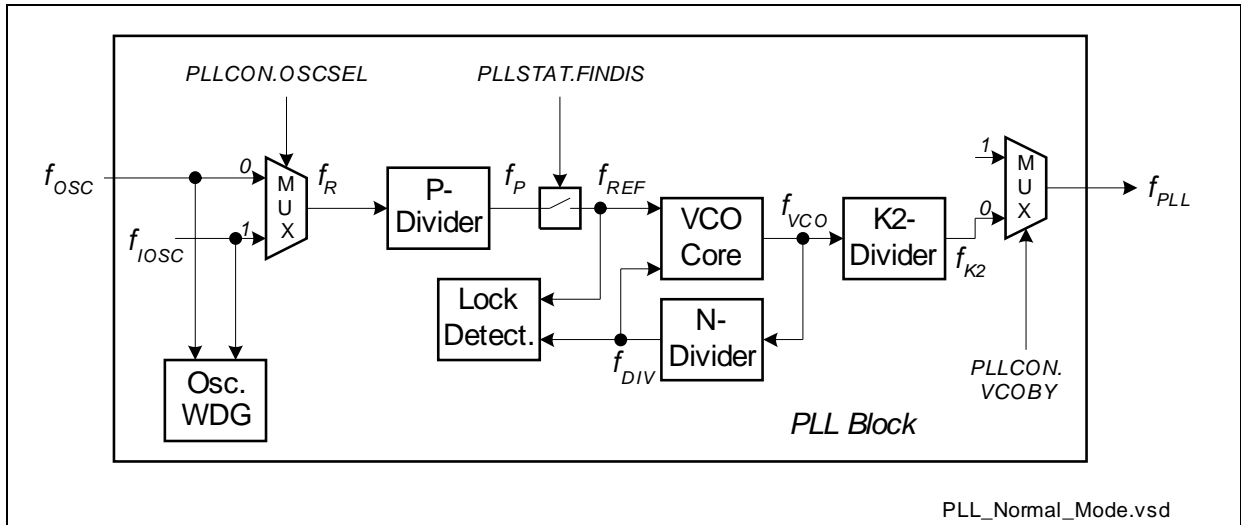


Figure 6-6 PLL Normal Mode Diagram

The output frequency is given by:

(6.1)

$$f_{PLL} = \frac{N}{P \cdot K2} \cdot f_R$$

The Normal Mode is selected by the following settings:

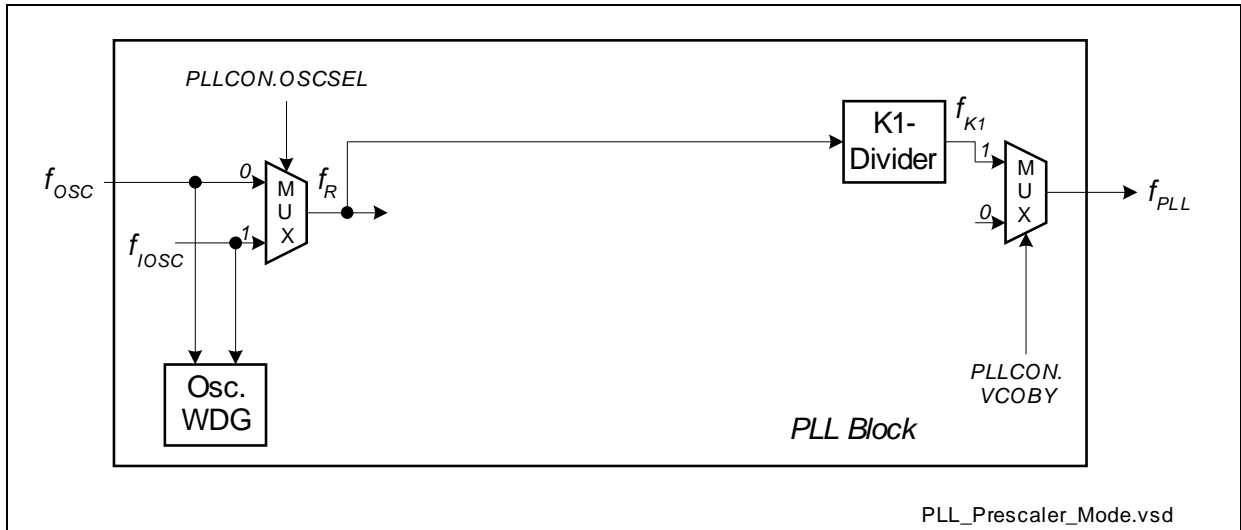
- PLLCON0.VCOBY = 0
- STATCLR1.CLRFINDIS = 1

The Normal Mode is entered when

- PLLSTAT.FINDIS = 0
- PLLSTAT.VCOBYST = 1
- PLLSTAT.VCOLOCK = 1
- HPOSCCON.PLLV = 1

### Prescaler Mode

In Prescaler Mode, the reference frequency  $f_R$  is only divided down by a factor K1.



**Figure 6-7 PLL Prescaler Mode Diagram**

The output frequency is given by:

$$f_{PLL} = \frac{f_R}{K1} \quad (6.2)$$

The Prescaler Mode is selected by the following settings:

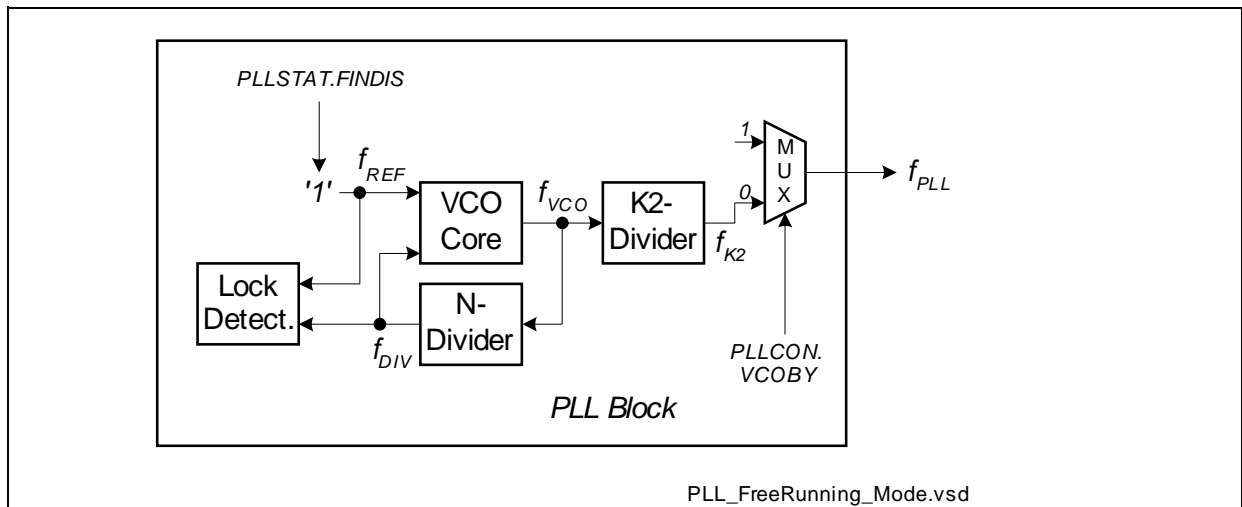
- PLLCON0.VCOBY = 1

The Prescaler Mode is entered when

- PLLSTAT.VCOBYST = 0
- HPOSCCON.PLLV = 1

### Free-Running Mode

In Freerunning Mode, the base frequency output  $f_{VCObase}$  of the Voltage Controlled Oscillator (VCO) is divided down by a factor K2.



**Figure 6-8 PLL Free-Running Mode Diagram**

The output frequency is given by:

$$f_{PLL} = \frac{f_{VCObase}}{K2} \quad (6.3)$$

The Free-Running Mode is selected by the following settings:

- $PLLCON0.VCOBY = 0$
- $STATCLR1.SETFINDIS = 1$

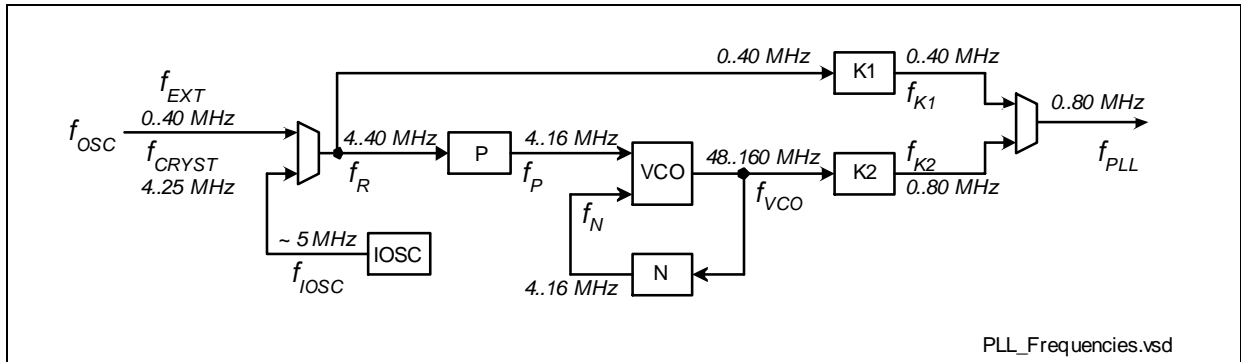
The Freerunning Mode is entered when

- $PLLCON1.FINDIS = 1$
- $PLLSTAT.VCOBYST = 1$

### General Configuration Overview

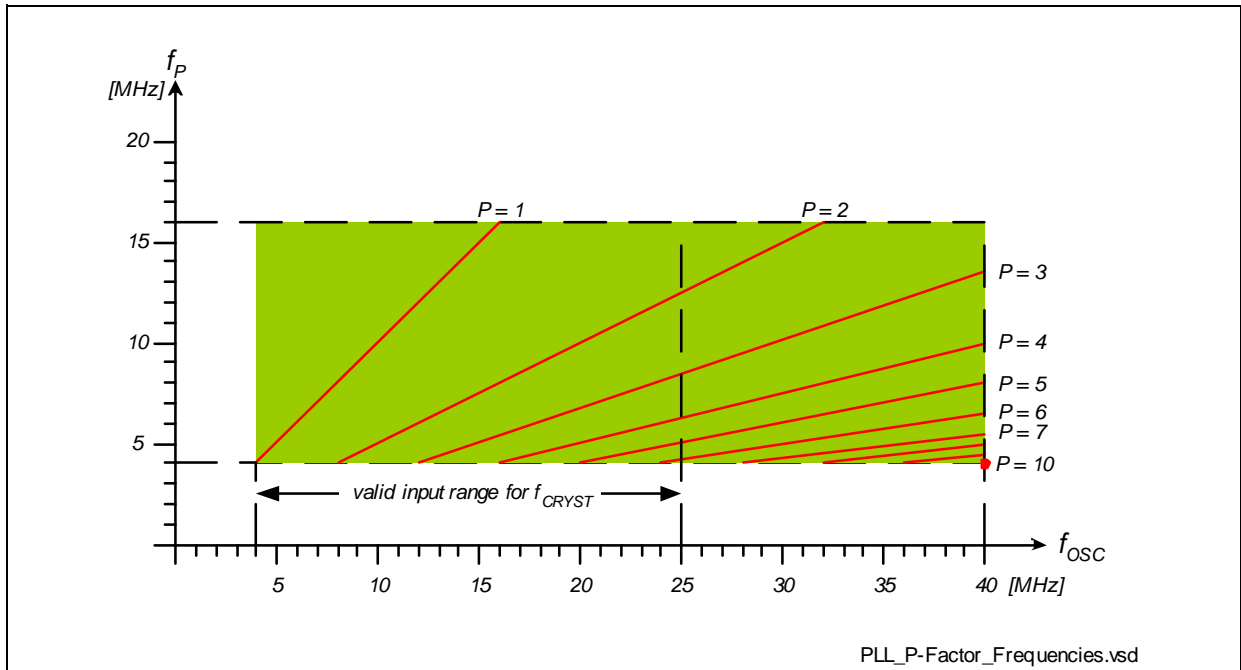
All four divider values and all necessary other values can be configured via the PLL configuration registers.

The following **Figure 6-9** provides an overview of the PLL dividers and the frequency ranges which are valid for each of the individual paths within the PLL block.



**Figure 6-9 Overview on Frequency Ranges for the PLL Block**

The P-Divider generates the necessary input reference frequency  $f_P$  for the VCO, which is then compared to the divided output frequency  $f_N$  of the VCO. **Figure 6-10** gives a graphical representation of the resulting frequency range for  $f_P$  versus the input frequency  $f_{OSC}$ , respectively  $f_R$ , for valid values of the P-Divider factor, while **Table 6-3** provides some numerical examples.



**Figure 6-10 Possible P-Factor Values,  $f_P$  versus  $f_{OSC}$**

**Table 6-3 P-Divider Factors**

PDIV	P = PDIV + 1	$f_P$ for $f_R =$				
		4 MHz	5 MHz	10 MHz	16 MHz	25 MHz
0	1	4	5	10	16	not allowed
1	2	not allowed		5	8	12.5
2	3	not allowed			5.33	8.33
3	4				4	6.25
4	5	not allowed				5
5	6					4.16
6+	7+	not allowed				

*Note: Of course, the whole range in between two  $f_R$  columns in the table above is allowed. E.g., for a range  $f_R = 10$  to 16 MHz, and  $P = 1$ ,  $f_P = 5$  to 8 MHz.*

*Note: Higher values for  $f_R$  are and can be achieved if  $f_{OSC}$  is used and the high-precision oscillator is bypassed. In this case, higher values for  $P$  are allowed and can be even required.*

The P-divider output frequency  $f_P$  is fed to a VCO. The VCO is a part of the PLL, with a feedback path. A divider in the feedback path (N-Divider) divides the VCO frequency. The resulting frequency  $f_N$  is compared to the VCO input frequency  $f_P$  and must therefore have the same frequency. The VCO is designed such that it can operate in two, partly overlapping, frequency ranges. To achieve the desired output frequency of the VCO, both, the N-factor and the VCO frequency range, must be programmed appropriately.

The N-divider output frequency  $f_N$  is then compared with  $f_P$  in the phase detector logic within the VCO. The phase detector determines the difference between the two clocks, and accordingly controls the output frequency  $f_{VCO}$ .

*Note: Due to this operation, the VCO clock of the PLL has a frequency which is a multiple of  $f_P$ . The factor for this is controlled through the value applied to the N-divider in the feedback path. For this reason, this factor is often called a multiplier, although it actually controls a division.*

The output frequency  $f_{VCO}$  of the VCO is divided by K2 to provide the final desired output frequency  $f_{PLL}$ .

### 6.1.3.3 High-Precision Oscillator Watchdog (OSC\_WDG)

The OSC\_WDG monitors the incoming clock  $f_{OSC}$  to check whether it is above a lower limit or not. The limit is defined in the data sheet

The OSC\_WDG uses the internal clock (IOSC) frequency  $f_{\text{IOSC}}$  for its operation, thus, the internal clock has to be enabled.

By setting bit HPOSCCON.OSCWDTRST, the detection can be restarted without a reset of the complete PLL, e.g., in case of OSC loss-of-lock condition.

*Note: After the OSC\_WDG is reset, bit HPOSCCON.PLLV is not valid for some time ( $544 * f_{\text{OSCPLL}}$ ).*

#### 6.1.3.4 PLL VCO Lock Detection

The PLL has a lock detection, which supervises the VCO part of the PLL in order to differentiate between stable and instable VCO circuit behavior. The lock detector marks the VCO output  $f_{\text{VCO}}$  as instable, if the two inputs,  $f_{\text{P}}$  and  $f_{\text{R}}$ , differ too much. Changes in one or both input frequencies below a certain deviation are not marked as a loss of lock, since the VCO can handle such small changes without any problem for the system.

#### 6.1.3.5 Internal Clock (OSC\_PLL)

The PLL internal clock can be used for two different applications:

##### Operating the OSC\_WDG

With this option, the input frequency for the PLL, either from OSC\_HP or from XTAL1, is supervised with OSC\_PLL. For more information, please see [Chapter 6.1.3.3](#).

##### Providing an input clock to the PLL

In case no external clock input is used via XTAL1, the clock frequency  $f_{\text{IOSC}}$  of the internal PLL clock, IOSC, can be used as input clock for all PLL modes. This is controlled and configured via PLLCON1.OSCSEL.

#### 6.1.3.6 Switching PLL Parameters

The following restrictions apply when changing PLL parameters via the PLLCON0 through PLLCON3 registers:

- The VCO bypass switch may be used at any time, however, it has to be ensured that the maximum operating frequency of the device (see data sheet) will not be exceeded.
- Before switching NDIV and PDIV, the Prescaler Mode has to be selected.
- Before deselecting the Prescaler Mode, the RESLD bit has to be set and then the VCOLOCK flag has to be checked. Only when the VCOLOCK flag is set again, the Prescaler Mode may be deselected.
- Before changing VCOSEL, the Prescaler Mode must be selected.

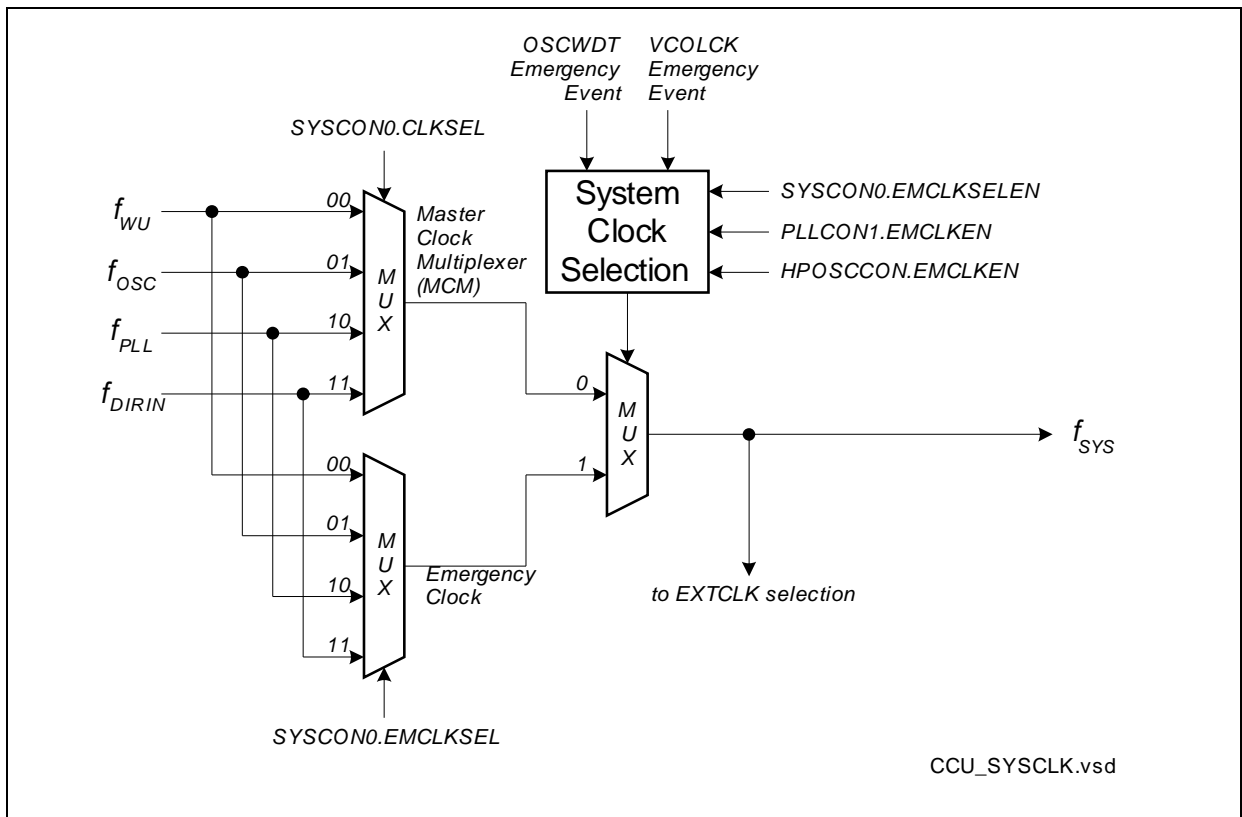
*Note: PDIV and NDIV can also be switched in Normal Mode. When changing NDIV, it must be regarded that the VCO clock  $f_{\text{VCO}}$  may exceed the target frequency until*

*the PLL becomes locked. After changing PDIV or NDIV, one must wait for the PLL lock condition. This procedure is typically used for increasing the VCO clock step-by-step.*

**6.1.4 Clock Control Unit**

The Clock Control Unit (CCU) receives the output clock  $f_{PLL}$ , which is created by the PLL, the clock  $f_{WU}$  from the wake-up clock, and the XTAL1/OSC\_HP clock  $f_{OSC}$ . In order to obtain the system frequency, one of the three clock sources is selected.

Additionally, the control logic for the RTC asynchronous clock supply is located in the Clock Control Unit.



**Figure 6-11 Clock Control Unit, SYSCLK Generation**

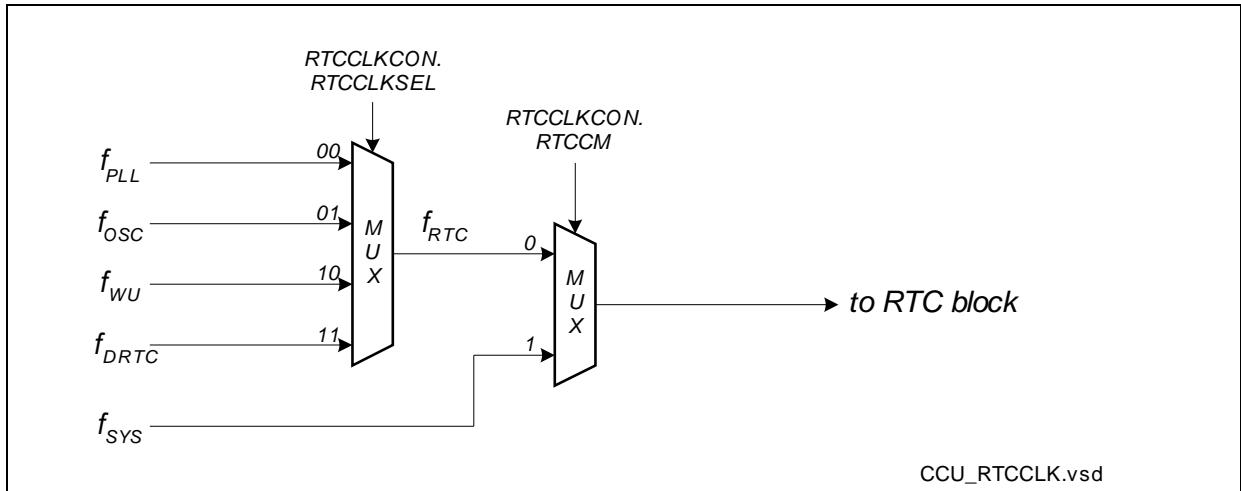


Figure 6-12 Clock Control Unit, RTCCLK Generation

#### 6.1.4.1 Emergency Clock Operation

There are two possible scenarios which can lead to a loss of the system clock, and therefore to a dead-lock of the system. All three scenarios are based on the same root-cause: the system is clocked with a clock that is not longer suitable as clock source.

#### Oscillator Watchdog Event

For the unlikely case that the clock from the external source (or crystal) received from OSC\_HP drops below a value, for which the PLL VCO part is no longer able to generate a stable system clock, an oscillator watchdog (OSCWDT) emergency event is implemented. The mechanism can be enabled / disabled via bit HPOSCCON.EMCLKEN.

In case of an enabled OSCWDT event, the following actions are performed:

- The oscillator watchdog trap flag (TRAPSTAT.OSCWDTT) is set, and a trap request to the CPU is activated, if enabled (TRAPDIS.OSCWDTT = 0);
- Bit HPOSCCON.PLLV is cleared;
- Bit HPOSCCON.OSC2L1 is set;
- Bit SYSCON0.EMSOSC is set if SYSCON0.EMCLKSELEN is set;
- The system clock is switched to the clock source selected by SYSCON0.EMCLKSEL, if enabled (SYSCON0.EMCLKSELEN = 1);
- The PLL VCO clock input selection can be updated if HPOSCCON.EMFINDISEN is set.

Emergency routines can be executed with the pre-configured clock. The current occurrence of an OSCWDT emergency event is indicated by bit SYSCON0.EMSOSC = 1. The occurrence of a previous OSCWDT emergency event is indicated by bit HPOSCCON.OSC2L1 = 1.



An OSCWDT emergency event is terminated by setting bit STATCLR0.EMCOSC. Bit HPOSCCON.OSC2L0 = 1 indicates that an OSCWDT emergency event condition is no longer valid.

*Note: The oscillator watchdog does not refer to the start-up process. Bit HPOSCCON.PLLV has to be set first before the oscillator watchdog trap generation mechanism is activated.*

### **PLL VCO Loss of Lock Event**

For the unlikely case that the PLL VCO part is no longer able to generate a stable system clock, a PLL VCO loss of lock (VCOLCK) emergency event is implemented. The mechanism can be enabled / disabled via bit PLLCON1.EMCLKEN.

In case of an enabled VCOLCK event, the following actions are performed:

- The PLL VCO loss of lock trap flag (TRAPSTAT.VCOLCKT) is set, and a trap request to the CPU is activated, if enabled (TRAPDIS.VCOLCKT = 0);
- Bit PLLSTAT.VCOLOCK is cleared;
- Bit PLLSTAT.VCOL0 is set;
- Bit SYSCON0.EMSVCO is set if SYSCON0.EMCLKSELEN is set;
- The system clock is switched to the clock source selected by SYSCON0.EMCLKSEL, if enabled (SYSCON0.EMCLKSELEN = 1);
- The PLL VCO clock input select can be updated if PLLCON1.EMFINDISEN is set.

Emergency routines can be executed with the pre-configured clock. The current occurrence of a VCOLCK emergency event is indicated by bit SYSCON0.EMSVCO = 1. The occurrence of a previous VCOLCK emergency event is indicated by bit PLLSTAT.VCOL0 = 1.

A VCOLCK emergency event is terminated by setting bit STATCLR0.EMCVCO. Bit PLLSTAT.VCOL1 = 1 indicates that a VCOLCK emergency event condition is no longer valid.

### **6.1.5 External Clock Output**

An external clock output is provided via pin EXTCLK. This external clock can be enabled/disabled via bit EXTCON.EN. Each of the six clocks which defines a clock domain can be individually be selected to be output at pin EXTCLK. This is configured via bit field EXTCON.SEL. Changing the content of bit field EXTCON.SEL can lead to spikes at pin EXTCLK.

Additionally, a connection to the CAPCOM60 module is implemented, to support the start-up control of an external crystal for the system clock generation. The first time, before the system clock is generated based on an external crystal, one should wait for 1000 cycles of the crystal clock before the clock control system is changed to External Crystal Mode. The 1000 cycles can be counted with CC60, using  $f_{OSC}$  as count input for the counter.

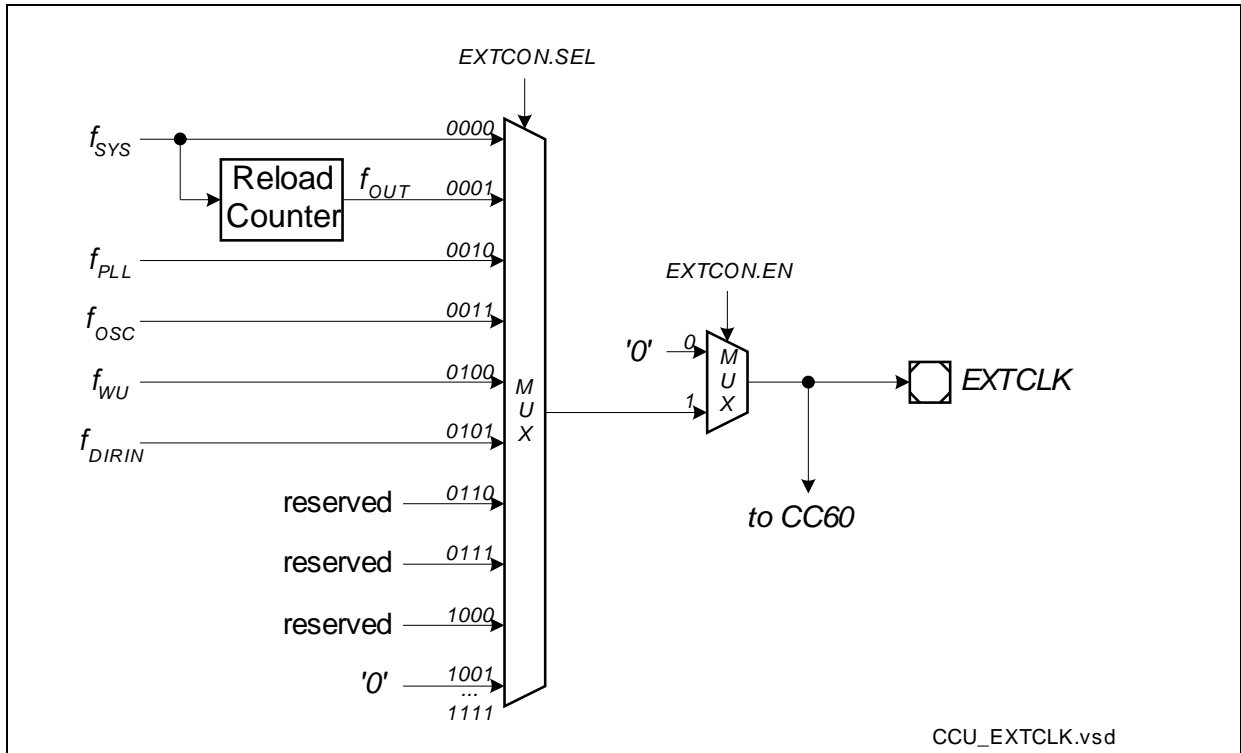
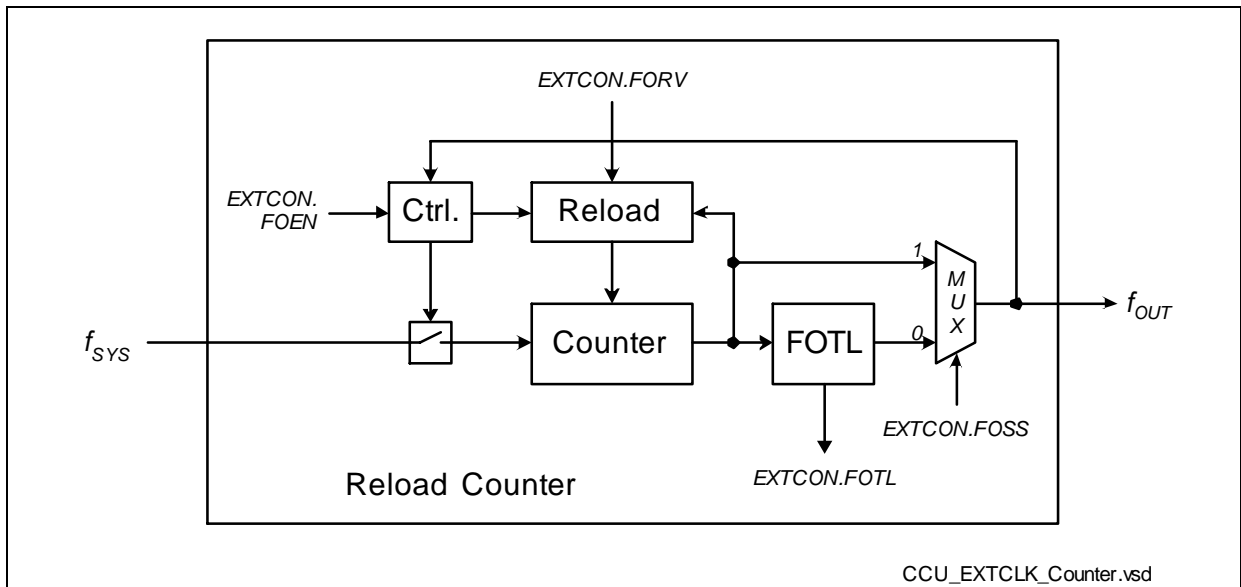


Figure 6-13 Clock Control Unit, EXTCLK Generation

### 6.1.5.1 Programmable Frequency Output

The system clock output (EXTCLK) can be replaced by the programmable frequency output  $f_{OUT}$ . This output can be controlled via software, and so can be adapted to the requirements of the connected external circuitry. The programmability also extends the power management to a system level, as also circuitry (peripherals, etc.) outside the XC2000 can be influenced, i.e. run at a scalable frequency, or can temporarily be switched off completely.

Clock  $f_{OUT}$  is generated via a reload counter, such that the output frequency can be selected in small steps.



**Figure 6-14 Programmable Frequency Output Generation**

Output  $f_{OUT}$  always provides complete output periods:

- When  $f_{OUT}$  is started (EXTCON.FOEN is set), counter FOCNT is loaded from EXTCON.FORV
- When the output clock generation is stopped (EXTCON.FOEN is cleared), counter FOCNT is stopped when  $f_{OUT}$  has reached (or is) '0'.

Register EXTCON provides control over the output generation (frequency, waveform, activation) as well as holds all status information (EXTCON.FOTL).

*Note: The output (for EXTCON.FOSS= 1) is high for the duration of one  $f_{SYS}$  cycle for all reload values  $EXTCON.FORV > 0$ . For  $EXTCON.FORV = 0$ , the output corresponds to  $f_{SYS}$ .*

## 6.1.6 CGU Registers

### 6.1.6.1 Wake-up Clock Register

This register controls the setting of the Wake-Up clock, OSC\_WU.

#### WUOSCCON

Wake-up OSC Control Register ESFR (F1AE<sub>H</sub>/D7<sub>H</sub>)

Reset Value: 0000<sub>H</sub>

15	14	13	12	11	10	9	8	7	6	5	4	3	2	1	0
0											DIS	PWSEL	FREQSEL		
r											rw	rw	rw		

Field	Bits	Type	Description
<b>FREQSEL</b>	[1:0]	rw	<p><b>Clock Frequency Selection</b></p> <p>The values for the different settings are listed in the data sheet.</p> <p><i>Note: This value should only be changed when the wake-up clock is not used as source for the system clock.</i></p>
<b>PWSEL</b>	[3:2]	rw	<p><b>Power Consumption Selection</b></p> <p>The values for the different settings are listed in the data sheet.</p> <p><i>Note: This value should only be changed when the wake-up clock is not used as source for the system clock.</i></p>
<b>DIS</b>	4	rw	<p><b>Clock Disable</b></p> <p>0<sub>B</sub> The clock is enabled 1<sub>B</sub> The clock is disabled</p>
<b>0</b>	[15:5]	r	<p><b>Reserved</b></p> <p>Read as 0; should be written with 0.</p>

### 6.1.6.2 High Precision Oscillator Register

This register controls the setting of the High-Precision Oscillator, OSC\_HP.

**HPOSCCON**

**High Precision OSC Control RegisterESFR (F1B4<sub>H</sub>/DA<sub>H</sub>)**

**Reset Value: 053C<sub>H</sub>**

15	14	13	12	11	10	9	8	7	6	5	4	3	2	1	0
0		OSC 2L0	OSC 2L1	EMFI NDIS EN	EM CLK EN	SHB Y	X1D EN	X1D	GAINSEL		MODE		OSC WDT RST	PLL V	
r		rh	rh	rw	rw	rw	rw	rw	rh		rw		w	rh	

Field	Bits	Type	Description
<b>PLLV</b>	0	rh	<p><b>Oscillator for PLL Valid Status Bit</b></p> <p>This bit indicates whether the frequency output of OSC_HP a limit or not. The limit is defined in the data sheet.</p> <p>This is checked by the Oscillator Watchdog of the PLL.</p> <p>0<sub>B</sub> The OSC_HP frequency is not usable 1<sub>B</sub> The OSC_HP frequency is usable</p> <p>For more information see <a href="#">Chapter 6.1.3.3</a>.</p>
<b>OSCWDTRST</b>	1	w	<p><b>Oscillator Watchdog Reset</b></p> <p>0<sub>B</sub> The Oscillator Watchdog of the PLL is not reset and remains active 1<sub>B</sub> The Oscillator Watchdog of the PLL is reset and restarted</p>
<b>MODE</b>	[3:2]	rw	<p><b>Oscillator Mode</b></p> <p>This bit field controls the operating mode and the power-save options.</p> <p>00<sub>B</sub> External Crystal Mode/External Input Clock Mode. Power-Saving Mode is not entered. 01<sub>B</sub> OSC_HP disabled, Power-Saving Mode is not entered. 10<sub>B</sub> External Input Clock Mode, Power-Saving Mode is entered. 11<sub>B</sub> OSC_HP is disabled, Power-Saving Mode is entered.</p>

Field	Bits	Type	Description
<b>GAINSEL</b>	[5:4]	rh	<p><b>Oscillator Gain Selection</b></p> <p>00<sub>B</sub> Gain configured for 4 to 8 MHz frequency range</p> <p>01<sub>B</sub> Gain configured for 4 to 16 MHz frequency range</p> <p>10<sub>B</sub> Gain configured for 4 to 20 MHz frequency range</p> <p>11<sub>B</sub> Gain configured for 4 to 25 MHz frequency range</p> <p>Values for the different settings are listed in the data sheet.</p>
<b>X1D</b>	6	rh	<p><b>XTAL1 Data Value</b></p> <p>This bit monitors the inverted value (level) of pin XTAL1. If XTAL1 is not used as clock input, it can be used as general purpose input (GPI) pin. This bit is only updated if X1DEN is set.</p>
<b>X1DEN</b>	7	rw	<p><b>XTAL1 Data Enable</b></p> <p>0<sub>B</sub> Bit X1D is not updated</p> <p>1<sub>B</sub> Bit X1D reflects inverted level of XTAL1</p>
<b>SHBY</b>	8	rw	<p><b>Shaper Bypass</b></p> <p>The shaper modulates an input to fit to the requested shape. This is defined in the data sheet. If the input has already the correct shape the shaper can be bypassed.</p> <p>0<sub>B</sub> The shaper is not bypassed</p> <p>1<sub>B</sub> The shaper is bypassed</p>
<b>EMCLKEN</b>	9	rw	<p><b>OSCWDT Emergency System Clock Source Select Enable</b></p> <p>This bit defines whether the master clock multiplexer (MCM) should be controlled by bit field SYSCON0.EMCLKSEL in an OSCWDT emergency case.</p> <p>0<sub>B</sub> MCM controlled by SYSCON0.CLKSEL</p> <p>1<sub>B</sub> MCM controlled by SYSCON0.EMCLKSEL in an OSCWDT emergency case</p> <p><i>Note: Bit SYSCON0.EMCLKSELEN has to be set in order to enable use of SYSCON0.EMCLKSEL</i></p>

Field	Bits	Type	Description
<b>EMFINDISEN</b>	10	rw	<b>Emergency Input Clock Disconnect Enable</b> This bit defines whether bit PLLSTAT.FINDIS is set in an emergency case. 0 <sub>B</sub> No update of PLLSTAT.FINDIS 1 <sub>B</sub> PLLSTAT.FINDIS is set in an OSCWDT emergency case
<b>OSC2L1</b>	11	rh	<b>OSCWDT Reached Status</b> 0 <sub>B</sub> OSCWDT did not detect frequency below limit. 1 <sub>B</sub> OSCWDT detected an input frequency below the limit. <i>Note: Bit OSC2L1 can be cleared by setting bit STATCLR1.OSC2L1CLR.</i>
<b>OSC2L0</b>	12	rh	<b>OSCWDT Left Status</b> 0 <sub>B</sub> OSCWDT did not detect frequency above limit. 1 <sub>B</sub> OSCWDT detected an input frequency above the limit. <i>Note: Bit OSC2L0 can be cleared by setting bit STATCLR1.OSC2L0CLR.</i>
<b>0</b>	[15:13]	r	<b>Reserved</b> Read as 0; should be written with 0.

### 6.1.6.3 PLL Clock Register

This register controls the settings of the internal PLL clock, OSC\_PLL.

#### PLLOSCCON

PLL OSC Configuration RegisterESFR (F1B6<sub>H</sub>/DB<sub>H</sub>)

Reset Value: 0000<sub>H</sub>

15	14	13	12	11	10	9	8	7	6	5	4	3	2	1	0
0										0				OSC PD	
r										rw				rw	

Field	Bits	Type	Description
<b>OSCPD</b>	0	rw	<b>Internal Clock IOSC Power Saving Mode</b> 0 <sub>B</sub> IOSC is active 1 <sub>B</sub> IOSC is no longer powered

Field	Bits	Type	Description
0	[9:1]	rw	<b>Reserved</b> Do not change the content of this bit field.
0	[15:10]	r	<b>Reserved</b> Read as 0; should be written with 0.

### 6.1.6.4 PLL Registers

These registers control the settings of the PLL.

#### PLLSTAT

PLL Status Register

ESFR (F0BC<sub>H</sub>/5E<sub>H</sub>)

Reset Value: 0000<sub>H</sub>

15	14	13	12	11	10	9	8	7	6	5	4	3	2	1	0
0			REG STA T	VCO L1	VCO L0	FIN DIS	0	K1 RDY	0			VCO LOC K	OSC SEL ST	PWD STA T	VCO BY ST
r			rh	rh	rh	rh	rh	rh	rh	rh	rh	rh	rh	rh	rh

Field	Bits	Type	Description
VCOBYST	0	rh	<b>VCO Bypass Status</b> 0 <sub>B</sub> Prescaler Mode is entered 1 <sub>B</sub> Free-Running / Normal Mode is entered
PWDSTAT	1	rh	<b>PLL Power-saving Mode Status</b> 0 <sub>B</sub> PLL Power-saving Mode is inactive 1 <sub>B</sub> PLL Power-saving Mode is active
OSCSELST	2	rh	<b>PLL Input Selection Status</b> 0 <sub>B</sub> XTAL1/OSC_HP is used as clock source for the VCO part 1 <sub>B</sub> Input clock is IOSC output



Field	Bits	Type	Description
<b>VCLOCK</b>	3	rh	<p><b>PLL VCO Lock Status</b></p> <p>0<sub>B</sub> VCO not locked to target frequency. The frequency difference of <math>f_P</math> and <math>f_N</math> is greater than allowed.</p> <p>1<sub>B</sub> VCO locked to target frequency. The frequency difference of <math>f_P</math> and <math>f_N</math> is small enough to enable a stable VCO operation.</p> <p><i>Note: In case of a loss of VCO lock, <math>f_{VCO}</math> reaches the upper boundary of the selected VCO band if the reference clock input is greater than expected. If the reference clock input is lower than expected, <math>f_{VCO}</math> reaches the lower boundary of the selected VCO band.</i></p>
<b>K1RDY</b>	7	rh	<p><b>K1-Divider Ready Status</b></p> <p>0<sub>B</sub> A new K1DIV value has been written, but is not used yet</p> <p>1<sub>B</sub> The K1-Divider operates with the value defined in PLLCON2.K1DIV</p> <p>This bit is cleared on a write to PLLCON2.K1DIV.</p>
<b>FINDIS</b>	9	rh	<p><b>Input Clock Disconnect Select Status</b></p> <p>0<sub>B</sub> VCO input clock connected</p> <p>1<sub>B</sub> VCO input clock disconnected</p> <p><i>Note: FINDIS can be set by setting bit STATCLR1.SETFINDIS.</i></p> <p><i>Note: FINDIS can be cleared by setting bit STATCLR1.CLRFINDIS.</i></p>
<b>VCOL0</b>	10	rh	<p><b>VCO Lock Detection Lost Status</b></p> <p>0<sub>B</sub> VCO lock was not lost</p> <p>1<sub>B</sub> VCO lock was lost</p> <p><i>Note: VCOL0 can be cleared by setting bit STATCLR1.VCPL0CLR.</i></p>
<b>VCOL1</b>	11	rh	<p><b>VCO Lock Detection Reached Status</b></p> <p>0<sub>B</sub> VCO lock was not acquired</p> <p>1<sub>B</sub> VCO lock was acquired</p> <p><i>Note: VCOL1 can be cleared by setting bit STATCLR1.VCOL1CLR.</i></p>

Field	Bits	Type	Description
<b>REGSTAT</b>	12	rh	<b>PLL Power Regulator Status</b> The PLL has a separate internal power regulator, providing the power supply of the PLL. 0 <sub>B</sub> PLL is not powered (no operation possible) 1 <sub>B</sub> PLL is powered (operation possible) <i>Note: REGSTAT can be set by setting bit PLLCON0.REGENSET.</i>  <i>Note: REGSTAT can be cleared by setting bit PLLCON0.REGENCLR.</i>
<b>0</b>	[6:4], 8	rh	<b>Reserved</b> Should be written with 0.
<b>0</b>	[15:13]	r	<b>Reserved</b> Read as 0; should be written with 0.

**PLLCON0**

**PLL Configuration 0 Register**

**ESFR (F1B8<sub>H</sub>/DC<sub>H</sub>)**

**Reset Value: 1302<sub>H</sub>**

15	14	13	12	11	10	9	8	7	6	5	4	3	2	1	0
0	0			NDIV				0		REG EN SET	REG EN CLR	0	VCO SEL	VCO PWD	VCO BY
rw	r			rw				r		w	w	r	rw	rw	rw

Field	Bits	Type	Description
<b>VCOBY</b>	0	rw	<b>VCO Bypass</b> 0 <sub>B</sub> Normal operation, VCO is not bypassed 1 <sub>B</sub> Prescaler Mode; VCO is bypassed
<b>V COPWD</b>	1	rw	<b>VCO Power Saving Mode</b> 0 <sub>B</sub> VCO is active 1 <sub>B</sub> VCO is inactive in power saving mode and can not be used
<b>VCOSEL</b>	2	rw	<b>VCO Range Select</b> See the data sheet.
<b>REGENCLR</b>	4	w	<b>PLL Power Regulator Enable Clear</b> 0 <sub>B</sub> PLL power regulator is not affected 1 <sub>B</sub> PLL is not powered (no operation possible)

Field	Bits	Type	Description
<b>REGENSET</b>	5	w	<b>PLL Power Regulator Enable Set</b> 0 <sub>B</sub> PLL power regulator is not affected 1 <sub>B</sub> PLL is powered (operation possible)
<b>NDIV</b>	[13:8]	rw	<b>N-Divider Value</b> The resulting factor N for the N-Divider is <NDIV>+1. Only values between N = 16 and N = 40 are allowed. Stable operation is not guaranteed outside of this range.
<b>0</b>	15	rw	<b>Reserved</b> Should be written with 0.
<b>0</b>	3, [7:6], 14	r	<b>Reserved</b> Read as 0; should be written with 0.

**PLLCON1**

**PLL Configuration 1 Register ESR (F1BA<sub>H</sub>/DD<sub>H</sub>)** **Reset Value: 000A<sub>H</sub>**

15	14	13	12	11	10	9	8	7	6	5	4	3	2	1	0
0	0	PDIV				0	EMFI NDIS EN	EM CLK EN	0	AOS CSE L	RES LD	OSC SEL	PLL PWD		
rw	r	rw				r	rw	rw	r	rw	w	rw	rw		

Field	Bits	Type	Description
<b>PLLPWD</b>	0	rw	<b>PLL Power Saving Mode</b> 0 <sub>B</sub> Normal Mode 1 <sub>B</sub> Complete PLL block is inactive in power saving mode and can not be used. Only the Bypass Mode is active if previously selected.
<b>OSCSEL</b>	1	rw	<b>Clock Input Selection</b> 0 <sub>B</sub> PLL input clock is OSC_HP output 1 <sub>B</sub> PLL input clock is IOSC output
<b>RESLD</b>	2	w	<b>Restart VCO Lock Detection</b> Setting bit RESLD will reset bit PLLSTAT.VCOLOCK and restart the VCO lock detection. Reading this bit returns always a zero.

Field	Bits	Type	Description
<b>AOSCSEL</b>	3	rw	<b>Asynchronous Clock Input Selection</b> $0_B$ Configuration is controlled via bit OSCSEL $1_B$ PLL internal clock IOSC is selected asynchronously
<b>EMCLKEN</b>	5	rw	<b>VCOLCK Emergency System Clock Source Select Enable</b> EMCLKEN defines whether the master clock multiplexer (MCM) should be controlled by bit field SYSCON0.EMCLKSEL in a VCOLCK emergency case. $0_B$ MCM controlled by SYSCON0.CLKSEL $1_B$ MCM controlled by SYSCON0.EMCLKSEL in a VCOLCK emergency case  <i>Note: Bit SYSCON0.EMCLKSELEN has to be set in order to enable use of SYSCON0.EMCLKSEL</i>
<b>EMFINDISEN</b>	6	rw	<b>Emergency Input Clock Disconnect Enable</b> EMFINDISEN defines whether bit PLLSTAT.FINDIS is set in a VCOLCK emergency case. $0_B$ No update of PLLSTAT.FINDIS $1_B$ PLLSTAT.FINDIS is set in a VCOLCK emergency case
<b>PDIV</b>	[11:8]	rw	<b>P-Divider Value</b> The resulting factor P for the P-Divider is <PDIV>+1
<b>0</b>	15	rw	<b>Reserved</b> Should be written with 0.
<b>0</b>	4, 7, [14:12]	r	<b>Reserved</b> Read as 0; should be written with 0.

**PLLCON2**

**PLL Configuration 2 Register**

**ESFR (F1BC<sub>H</sub>/DE<sub>H</sub>)**

**Reset Value: 0001<sub>H</sub>**

15	14	13	12	11	10	9	8	7	6	5	4	3	2	1	0		
0			0							K1DIV							
rw			r							rw							

Field	Bits	Type	Description
K1DIV	[9:0]	rw	<b>K1-Divider Value</b> The resulting factor K1 for the K1-Divider is <K1DIV>+1
K1ACK	15	rw	<b>K1-Divider Ready Acknowledge</b> Setting this bit provides the acknowledge to PLLSTAT.K1RDY.
0	[14:10]	r	<b>Reserved</b> Read as 0; should be written with 0.

### PLLCON3

PLL Configuration 3 Register ESFR (F1BE<sub>H</sub>/DF<sub>H</sub>) Reset Value: 00CB<sub>H</sub>

15	14	13	12	11	10	9	8	7	6	5	4	3	2	1	0
0			0												
rw			r												

Field	Bits	Type	Description
K2DIV	[9:0]	rw	<b>K2-Divider Value</b> The resulting factor K2 for the K2-Divider is <K2DIV>+1
0	15	rw	<b>Reserved</b> Should be written with 0.
0	[14:10]	r	<b>Reserved</b> Read as 0; should be written with 0.

#### 6.1.6.5 System Clock Control Registers

These registers control the system level clock behavior.

**SYSCON0**

**System Control 0 Register**

**SFR (FF4A<sub>H</sub>/A5<sub>H</sub>)**

**Reset Value: 0000<sub>H</sub>**

15	14	13	12	11	10	9	8	7	6	5	4	3	2	1	0
SEL STA T	0	EMS VCO	EMS OSC			0			EM CLK SEL EN	0	EM CLKSEL	0		CLKSEL	
rh	r	rh	rh			r			rw	r	rw	r		rwh	

Field	Bits	Type	Description
<b>CLKSEL</b>	[1:0]	rw	<p><b>System Clock Select</b> CLKSEL selects the clock source used as system clock <math>f_{SYS}</math> for the system operation.</p> <p>00<sub>B</sub> The WUT clock output <math>f_{WU}</math> is used            01<sub>B</sub> The direct output from OSC_HP is used <math>f_{OSC}</math>            10<sub>B</sub> The PLL clock output <math>f_{PLL}</math> is used            11<sub>B</sub> Direct Input clock DIRIN <math>f_{DIR}</math> is used</p>
<b>EMCLKSEL</b>	[4:3]	rw	<p><b>Emergency Clock Select</b> EMCLKSEL defines the clock source used as system clock <math>f_{SYS}</math> for the system operation in case of an OSCWDT or VCOLCK emergency event.</p> <p>00<sub>B</sub> The WUT clock output <math>f_{WU}</math> is used            01<sub>B</sub> The direct output from OSC_HP is used <math>f_{OSC}</math>            10<sub>B</sub> The PLL clock output <math>f_{PLL}</math> is used            11<sub>B</sub> Direct Input clock DIRIN <math>f_{DIR}</math> is used</p>
<b>EMCLKSELEN</b>	6	rw	<p><b>Emergency Clock Select Enable</b> EMCLKSELEN enables the automatic asynchronous switch to the emergency clock In case of an OSCWDT or VCOLCK emergency event.</p> <p>0<sub>B</sub> Emergency clock switch is disabled            1<sub>B</sub> Emergency clock switch is enabled</p>
<b>EMSOSC</b>	12	rh	<p><b>OSCWDT Emergency Event Source Status</b> 0<sub>B</sub> No OSCWDT emergency event occurred since last clear of EMSOSC            1<sub>B</sub> An OSCWDT emergency event has occurred  <i>Note: This bit is only set if EMCLKSELEN is set.</i></p>

Field	Bits	Type	Description
<b>EMSVCO</b>	13	rh	<b>VCOLCK Emergency Event Source Status</b> 0 <sub>B</sub> No VCOLCK emergency event occurred since last clear of EMSVCO 1 <sub>B</sub> A VCOLCK emergency event has occurred <i>Note: This bit is only set if EMCLKSELEN is set.</i>
<b>SELSTAT</b>	15	rh	<b>Clock Select Status</b> 0 <sub>B</sub> Standard clock selection (CLKSEL) is active 1 <sub>B</sub> Emergency clock selection (EMCLKSEL) is active
<b>0</b>	2, 5, [11:7], 14	r	<b>Reserved</b> Read as 0; should be written with 0.

**STATCLR0**

Status Clear 0 Register

ESFR (F0E0<sub>H</sub>/70<sub>H</sub>)

Reset Value: 0000<sub>H</sub>

15	14	13	12	11	10	9	8	7	6	5	4	3	2	1	0
0	<b>EMC VCO</b>	<b>EMC OSC</b>							0						
r	w	w							r						

Field	Bits	Type	Description
<b>EMCOSC</b>	12	w	<b>EMSOSC Clear Trigger</b> 0 <sub>B</sub> No action 1 <sub>B</sub> Clear bit SYSCON0.EMSOSC
<b>EMCVCO</b>	13	w	<b>EMSVCO Clear Trigger</b> 0 <sub>B</sub> No action 1 <sub>B</sub> Clear bit SYSCON0.EMSVCO
<b>0</b>	[11:0], [15:14]	r	<b>Reserved</b> Read as 0; should be written with 0.

**STATCLR1**

Status Clear 1 Register

ESFR (F0E2<sub>H</sub>/71<sub>H</sub>)

Reset Value: 0000<sub>H</sub>

15	14	13	12	11	10	9	8	7	6	5	4	3	2	1	0
				0						CLR FIN DIS	SET FIN DIS	OSC 2L0 CLR	OSC 2L1 CLR	VCO L1 CLR	VCO L0 CLR
										r	w	w	w	w	w

Field	Bits	Type	Description
<b>VCOL0CLR</b>	0	w	<b>VCOL0 Clear Trigger</b> 0 <sub>B</sub> No action 1 <sub>B</sub> Bit PLLSTAT.VCOL0 is cleared
<b>VCOL1CLR</b>	1	w	<b>VCOL1 Clear Trigger</b> 0 <sub>B</sub> No action 1 <sub>B</sub> Bit PLLSTAT.VCOL1 is cleared
<b>OSC2L1CLR</b>	2	w	<b>OSC2L1 Clear Trigger</b> 0 <sub>B</sub> No action 1 <sub>B</sub> Bits HPOSCCON.OSC2L1 is cleared
<b>OSC2L0CLR</b>	3	w	<b>OSC2L0 Clear Trigger</b> 0 <sub>B</sub> No action 1 <sub>B</sub> Bit HPOSCCON.OSC2L0 is cleared
<b>SETFINDIS</b>	4	w	<b>Set Status Bit PLLSTAT.FINDIS</b> 0 <sub>B</sub> No action 1 <sub>B</sub> Set bit PLLSTAT.FINDIS. The VCO input clock becomes disconnected (open). Software should not set SETFINDIS if bit SYSCON0.SELSTAT is set.
<b>CLRFINDIS</b>	5	w	<b>Clear Status Bit PLLSTAT.FINDIS</b> 0 <sub>B</sub> No action 1 <sub>B</sub> Clear bit PLLSTAT.FINDIS. The VCO input clock becomes connected to the P-Divider. Software should not set CLRFINDIS if bit SYSCON0.SELSTAT is set.
<b>0</b>	[15:6]	r	<b>Reserved</b> Read as 0; should be written with 0.



**RTCCLKCON**

**RTC Clock Control Register SFR (FF4E<sub>H</sub>/A7<sub>H</sub>)** **Reset Value: 0006<sub>H</sub>**

15	14	13	12	11	10	9	8	7	6	5	4	3	2	1	0
0													<b>RTC CM</b>	<b>RTCCLKS EL</b>	
r													rw	rw	

Field	Bits	Type	Description
<b>RTCCLKSEL</b>	[1:0]	rw	<b>RTC Clock Select</b> RTCCLKSEL defines the clock source used as asynchronous clock for the RTC, when the RTC runs in Asynchronous Mode. 00 <sub>B</sub> The PLL clock output $f_{PLL}$ is used 01 <sub>B</sub> The direct output from OSC_HP is used $f_{OSC}$ 10 <sub>B</sub> The WUT clock output $f_{WU}$ is used 11 <sub>B</sub> The input from port pin DRTC is used
<b>RTCCM</b>	2	rw	<b>RTC Clocking Mode</b> 0 <sub>B</sub> Asynchronous Mode: The RTC operates with $f_{RTC}$ . No register access is possible. 1 <sub>B</sub> Synchronous Mode: The RTC operates with $f_{SYS}$ . Registers can be read and written.
<b>0</b>	[15:3]	r	<b>Reserved</b> Read as 0; should be written with 0.

**6.1.6.6 External Clock Control Register**

This register controls the settings for the external clock for pins 2.8 and 7.1.

**EXTCON**

**External Clock Control Register SFR (FF5E<sub>H</sub>/AF<sub>H</sub>)** **Reset Value: 0000<sub>H</sub>**

15	14	13	12	11	10	9	8	7	6	5	4	3	2	1	0
<b>FO EN</b>	<b>FO SS</b>	<b>FORV</b>					0	<b>FO TL</b>	0	<b>SEL</b>				<b>EN</b>	
rw	rw	rw					r	rh	r	rw				rw	

Field	Bits	Type	Description
<b>EN</b>	0	rw	<b>External Clock Enable</b> $0_B$ No external clock is provided $1_B$ The configured external clock is provided
<b>SEL</b>	[4:1]	rw	<b>External Clock Select</b> $0000_B f_{SYS}$ is selected for the external clock $0001_B f_{OUT}$ is selected for the external clock $0010_B f_{PLL}$ is selected for the external clock $0011_B f_{OSC}$ is selected for the external clock $0100_B f_{WU}$ is selected for the external clock $0101_B$ Reserved, do not use this combination $0110_B$ Reserved, do not use this combination $0111_B$ Reserved, do not use this combination $1000_B f_{RTC}$ is selected for the external clock $1001_B$ Reserved, do not use this combination ... $1111_B$ Reserved, do not use this combination
<b>FOTL</b>	6	rh	<b>Frequency Output Toggle Latch</b> FOTL is toggled upon each underflow of FOCNT.
<b>FORV</b>	[13:8]	rw	<b>Frequency Output Reload Value</b> FORV is copied to FOCNT upon each underflow of FOCNT.
<b>FOSS</b>	14	rw	<b>Frequency Output Signal Select</b> $0_B$ Output of the toggle latch selected for $f_{OUT}$ $1_B$ Output of the reload counter selected for $f_{OUT}$ . The duty cycle depends on FORV
<b>FOEN</b>	15	rw	<b>Frequency Output Enable</b> $0_B$ Frequency output generation stops when $f_{OUT}$ is/becomes low $1_B$ FOCNT is running, $f_{OUT}$ is gated to the pin. First reload after 0-to-1 transition.
<b>0</b>	5, 7	r	<b>Reserved</b> Read as 0; should be written with 0.

## **6.2 Reset Operation**

All resets are generated by the Reset Control Block. It handles the control of the reset triggers as well as the length of a reset and the reset timing. A reset leads the system, or a part of the system depending on the reset, to a initialization into a defined state.

### **6.2.1 Reset Architecture**

The XC2000 contains a very sophisticated reset architecture to offer the greatest amount of flexibility for the support of different applications. The reset architecture supports the different power domains:

If a power domain is deactivated all resets of the deactivated level and all resets of all lower power domains are asserted.

Additionally the different types of resets supported for the complete system.

#### **6.2.1.1 Reset Types**

The following summary shows the different reset types.

- **Power-on Reset:**  
This reset leads to a initialization into a defined state of the complete system. This reset is only generated on a real power-on event and can not be generated by any no power related event.
- **System Reset:**  
This reset leads to a initialization into a defined state of the complete system without the following parts: reset control, power control, clock control, stand-by RAM.
- **Debug Reset:**  
This reset leads to a initialization into a defined state of the complete debug system.
- **Internal Application Reset:**  
This reset leads to a initialization into a defined state of the complete application system with the following parts: all peripherals (without the Ports and RTC), the CPU and partially the SCU and the flash memory.
- **Application Reset:**  
This reset leads to a initialization into a defined state of the complete application system with the following parts: all peripherals (without the RTC), the CPU and partially the SCU and the flash memory.

### **6.2.2 General Reset Operation**

A reset is generated if an enabled reset request trigger is asserted. Most reset request trigger can configured for the reset type that should initiated by it. No action (disabled) is one possible configuration and can be selected for a reset request trigger by setting the adequate bit field in a Reset Configuration Register to 00<sub>B</sub>. The debug reset can only be requested by dedicated reset request triggers and can not be selected via a Reset

Configuration Register. For more information see also registers **RSTCON0** and **RSTCON1**.

The duration of a reset is defined by two independent counters. One counter for the system and application reset types and one separate counter for the debug reset. A separate counter for the debug reset was implemented to allow a non-intrusive adaptation of the reset length to the debugger needs without modification of the application setting.

### 6.2.2.1 Reset Counters (RSTCNTA and RSTCNTD)

RSTCNTA is the reset counter that controls the reset length for all application relevant resets (system reset, internal application reset, and application reset). RSTCNTD is the reset counter that controls the reset length for the debug reset.

The reset counters can be used for the following purposes:

- First to control the length of the internal resets.
- Second to configure the reset length in a way that the reset outputs via the ESRx pins match with the reset input requirements of external blocks connected with the reset outputs.

A reset counter RSTCNT is an 8-bit counter counting down from the reload value defined by **RSTCNTCON.RELx** (x = A or D). The counter is started by the reset control block as soon as a reset request trigger condition becomes active (for more information see **Table 6-4** and **Table 6-5**). Whether the counter has to be started or not depends on the reset request trigger and whether the counter is already active or not. In case of that the counter is inactive, not counting down, it is always started. While the counter is already active it depends on the reset typ of the new reset request trigger that was asserted anew if the counter is restarted or not. This behavior is summarized in **Table 6-4** and **Table 6-5**.

**Table 6-4 Restart of RSTCNTA**

Reset Active	New Reset				
	Power-On	System Reset	Debug Reset	Internal Application Reset	Application Reset
System Reset	Restart	No Restart	No Restart	No Restart	No Restart
Internal Application Reset	Restart	Restart	No Restart	No Restart	No Restart
Application Reset	Restart	Restart	No Restart	Restart	No Restart

**Table 6-5 Restart of RSTCNTD**

Reset Active	New Reset				
	Power-On	System Reset	Debug Reset	Internal Application Reset	Application Reset
Debug Reset	Restart	No Restart	No Restart	No Restart	No Restart

RSTCNTx ensures that a reset request trigger generates a reset of a minimum length which is configurable. But if a reset request trigger is asserted continuously longer than the counter needs for the complete count-down process the reset cannot be deasserted before the reset request trigger is also deasserted. Anyway the counter is not started again, instead the reset control block keeps the reset asserted until the reset request trigger is deasserted.

### 6.2.2.2 De-assertion of a Reset

The reset of a dedicated typ is de-asserted when all of the following conditions are fulfilled.

- The reset counter has been expired (reached zero).
- No reset request trigger that is configured to generate a reset of the dedicated typ is currently asserted.

### 6.2.3 Coupling of Reset Types

The different reset types are coupled for a better usage:

- The assertion of a Power-on Reset automatically asserts also the following reset types:
  - Debug Reset
  - System Reset
  - Internal Application Reset
  - Application Reset
- The assertion of a System Reset automatically asserts also the following reset types:
  - Internal Application Reset
  - Application Reset
- The assertion of a Internal Application Reset automatically asserts also the following reset type:
  - Application Reset

### **6.2.4 Debug Reset Assertion**

Unlike the other reset types a Debug Reset can only be asserted if the following two conditions are valid:

- A reset request trigger is asserted that request a debug reset
- An Application Reset is active in the system

### **6.2.5 Example1:**

Reset request trigger A is asserted and leads to an Application Reset. If the reset request trigger is de-asserted before RSTCNTA reached zero the Application Reset is de-asserted when RSTCNTA reaches zero. If the reset request trigger is de-asserted after RSTCNTA reached zero the Application Reset is de-asserted when the reset request trigger is de-asserted.

### **6.2.6 Example2:**

Reset request trigger A is asserted and leads to an Application Reset. Reset request trigger A is de-asserted before RSTCNTA reached zero. Reset request trigger B is asserted after reset request trigger A but before RSTCNTA reaches zero. Reset request trigger B is also configured to result in a Application Reset. If the reset request trigger B is de-asserted before RSTCNTA reached zero the Application Reset is de-asserted when RSTCNTA reaches zero. If the reset request trigger B is de-asserted after RSTCNTA reached zero the Application Reset is de-asserted when the reset request trigger B is de-asserted.

### **6.2.7 Example3:**

Reset request trigger A is asserted and leads to a System Reset. Reset request trigger A is de-asserted before RSTCNTA reached zero. Reset request trigger B is asserted after reset request trigger A but before RSTCNTA reaches zero. Reset request trigger B is configured to result in a Internal Application Reset. If the reset request trigger B is de-asserted before RSTCNTA reached zero the System, Internal Application, and Application Resets are de-asserted when RSTCNTA reaches zero. If the reset request trigger B is de-asserted after RSTCNTA reached zero the Internal Application and Application Resets are de-asserted when the reset request trigger B is de-asserted.

### **6.2.8 Reset Request Trigger Sources**

The following overview summarizes the different reset request trigger sources within the system.

### **Power-On Reset Pin $\overline{\text{PORST}}$**

The  $\overline{\text{PORST}}$  input pin requests asynchronously a Power-on Reset by driving the  $\overline{\text{PORST}}$  pin low.

### **Supply Watchdog (SWD)**

If the power supply for I/O domain doesn't reach the value required for proper functionality, a non-synchronized reset request trigger is generated if the SWD reset generation is enabled. This ensures a reproducible behavior in the case of power-fail. This can also be used to restart the system without the usage of the  $\overline{\text{PORST}}$  pin. As long as the I/O power domain does not get the required voltage level the system is held in the reset.

### **Core Power Validation (PVC\_M and PVC\_1)**

If the core power supply doesn't reach the value required for proper functionality of main power domain (PVC\_M), a reset request trigger can be forwarded to the system. The generation of a Power-on Reset is configured by bit  $\text{PVC MCON0.L1RSTEN} = 1_B$ . If the bit  $\text{PVC MCON0.L1RSTEN} = 1_B$  a request trigger is asserted for PVC\_M1 upon a level check match. If the bit  $\text{PVC MCON0.L2RSTEN} = 1_B$  a request trigger is asserted for PVC\_M2 upon a level check match.

If the core power supply doesn't reach the value required for proper functionality of application power domain (PVC\_1), a reset request trigger can be forwarded to the system. The generation of a Power-on Reset for (Application Power Domain only) is configured by bit  $\text{PVC1CON0.L1RSTEN} = 1_B$ . If the bit  $\text{PVC1CON0.L1RSTEN} = 1_B$  a request trigger is asserted for PVC\_11 upon a level check match. If the bit  $\text{PVC1CON0.L2RSTEN} = 1_B$  a request trigger is asserted for PVC\_12 upon a level check match.

For more information about the Power Validation Circuit see [Chapter 6.5.2](#).

### **$\overline{\text{ESR0/ESR1/ESR2}}$**

An  $\overline{\text{ESR0/ESR1/ESR2}}$  reset request trigger leads to a configurable reset. The type of reset can be configured via  $\text{RSTCON1.ESRx}$ .

The pins  $\overline{\text{ESR0/ESR1/ESR2}}$  can serve as an external reset input as well as a reset output (open drain) for Internal Application and Application Resets. For the ESR1 and ESR2 additionally several GPIO pad triggers that can be enabled additionally via register  $\text{ESREXCONx}$  ( $x = 1$  or  $2$ ) interfere with the ESR pin function. GPIO and ESR pin triggers can be enabled/disabled individually and are combined for the reset trigger generation.

*Note: The reset output is only asserted for the duration the reset counter  $\text{RSTCNTA}$  is active. During a possible reset extension the reset output is not longer asserted.*

## Preliminary

## System Control Unit (SCU)

If the pin  $\overline{\text{ESR0}}/\overline{\text{ESR1}}/\overline{\text{ESR2}}$  is enabled as reset output and the input level is low while the output stage is disabled (indicating that it is still driven low externally), the reset circuitry holds the chip in reset until a high level is detected on  $\overline{\text{ESR0}}/\overline{\text{ESR1}}/\overline{\text{ESR2}}$ . The internal output stage drives a low level during reset only while RSTCNTA is active. It deactivates the output stage when the time defined by RSTCNTCON.RELA has passed.

## Software

A software reset request trigger leads to a configurable reset. The type of reset can be configured via RSTCON0.SW.

## Watchdog Timer

A WDT reset request trigger leads to a configurable reset. The type of reset can be configured via RSTCON1.WDT. A WDT reset is requested on a WDT overflow event. For more information see [Chapter 6.8](#).

## CPU

A CPU reset request trigger leads to a configurable reset. The type of reset can be configured via RSTCON0.CPU. A CPU reset is requested when instruction SRST is executed.

## Memory Parity

A MP reset request trigger leads to a configurable reset. The type of reset can be configured via RSTCON1.MP. For more information see [Section 3.12](#).

## OCDS Block

The OCDS block has several options to request different reset types:

1. A Debug Reset either via the OCDS reset function or via bit CBS\_OJCONF.RSTCL1 AND CBS\_OJCONF.RSTCL3
2. A System Reset via bit CBS\_OJCONF.RSTCL0
3. An Internal Application Reset via bit CBS\_OJCONF.RSTCL2
4. An Application Reset via bit CBS\_OJCONF.RSTCL3



### 6.2.8.1 Reset Sources Overview

The connection of the reset sources and the activated reset types are shown in [Table 6-6](#).

**Table 6-6 Effects of Reset Types for Reset Activation**

<b>Reset Request Trigger</b>	<b>Application Reset</b>	<b>Internal Application Reset</b>	<b>Debug Reset</b>	<b>System Reset</b>
<b>PORST</b>	Activated	Activated	Activated	Activated
<b>SWD</b>	Activated	Activated	Activated	Activated
<b>PVC_M1</b>	Activated	Activated	Activated	Activated
<b>PVC_M2</b>	Activated	Activated	Activated	Activated
<b>PVC_11</b>	Activated	Activated	Activated	Activated
<b>PVC_12</b>	Activated	Activated	Activated	Activated
<b>ESR0</b>	Configurable	Configurable	Not Activated	Configurable
<b>ESR1</b>	Configurable	Configurable	Not Activated	Configurable
<b>ESR2</b>	Configurable	Configurable	Not Activated	Configurable
<b>WDT</b>	Configurable	Configurable	Not Activated	Configurable
<b>SW</b>	Configurable	Configurable	Not Activated	Configurable
<b>CPU</b>	Configurable	Configurable	Not Activated	Configurable
<b>MP</b>	Configurable	Configurable	Not Activated	Configurable
<b>OCDS Reset</b>	Not Activated	Not Activated	Activated <sup>1)</sup>	Not Activated
<b>CBS_OJCONF.RS TCL0</b>	Activated	Activated	Not Activated	Activated
<b>CBS_OJCONF.RS TCL1</b>	Not Activated	Not Activated	Activated <sup>1)</sup>	Not Activated
<b>CBS_OJCONF.RS TCL2</b>	Activated	Activated	Not Activated	Not Activated
<b>CBS_OJCONF.RS TCL3</b>	Activated	Not Activated	Not Activated	Not Activated

<sup>1)</sup> Only if an application reset is active or is requested in parallel.

### 6.2.9 Module Reset Behavior

**Table 6-7** lists how the various functions of the XC2000 are affected through a reset depending on the reset type. A “X” means that this block has at least some register/bits that are affected by this reset type.

**Table 6-7 Effect of Reset on Device Functions**

Module / Function		Application Reset	Internal Application Reset	Debug Reset	System Reset
CPU Core		X	X	X	X
Peripherals (except SCU and RTC)		X	X	X	X
SCU		X	Not affected	Not affected	X
RTC		Not affected	Not affected	X	X
On-chip Static RAMs <sup>1)</sup>	DPRAM	Not affected, reliable	Not affected, reliable	Not affected, reliable	Affected, un-reliable
	PSRAM	Not affected, reliable	Not affected, reliable	Not affected, reliable	Affected, un-reliable
	DSRAM	Not affected, reliable	Not affected, reliable	Not affected, reliable	Affected, un-reliable
Flash Memory		X <sup>2)</sup>	X <sup>2)</sup>	Not affected, reliable	X
JTAG Interface		Not affected	Not affected	Not affected	Not affected
OCDS		Not affected	Not affected	X	X
Oscillators, PLL		Not affected	Not affected	Not affected	X
Port Pins		Not affected	X	Not affected	X
Pins ESRx		Not affected	X	Not affected	X

<sup>1)</sup> Reliable here means that also the redundancy is not affected by the reset.

<sup>2)</sup> Parts of the flash memory block are only reset by a System Reset. For more detail see the flash chapter.

## 6.2.10 Reset Controller Registers

### 6.2.10.1 Status Registers

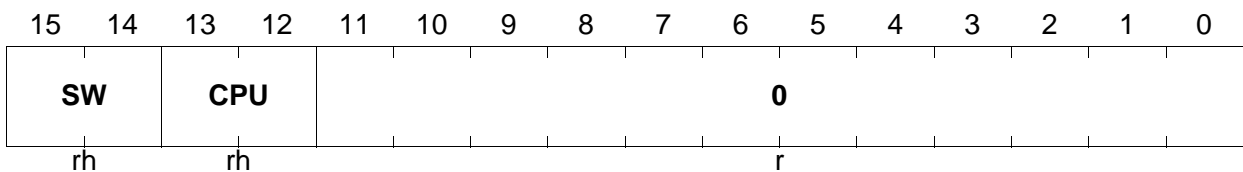
These registers contain the status of the reset request trigger for the last reset.

#### RSTSTAT0

Reset Status 0 Register

ESFR (F0B2<sub>H</sub>/59<sub>H</sub>)

Reset Value: 0000<sub>H</sub>



Field	Bits	Type	Description
<b>CPU</b>	[13:12]	rh	<b>CPU Reset Type Status</b> 00 <sub>B</sub> The CPU reset trigger was not relevant for the last reset 01 <sub>B</sub> The CPU reset trigger was relevant for the last reset. System, Internal Application, and Application Resets where generated. 10 <sub>B</sub> The CPU reset trigger was relevant for the last reset. Internal Application and Application Resets where generated. 11 <sub>B</sub> The CPU reset trigger was relevant for the last reset. Application Reset was generated.
<b>SW</b>	[15:14]	rh	<b>Software Reset Type Status</b> 00 <sub>B</sub> The Software reset trigger was not relevant for the last reset 01 <sub>B</sub> The Software reset trigger was relevant for the last reset. System, Internal Application, and Application Resets where generated. 10 <sub>B</sub> The Software reset trigger was relevant for the last reset. Internal Application and Application Resets where generated. 11 <sub>B</sub> The Software reset trigger was relevant for the last reset. Application Reset was generated.
<b>0</b>	[11:0]	r	<b>Reserved</b> Read as 0; should be written with 0.

**RSTSTAT1**

**Reset Status 1 Register**

**ESFR (F0B4<sub>H</sub>/5A<sub>H</sub>)**

**Reset Value: F000<sub>H</sub>**

15	14	13	12	11	10	9	8	7	6	5	4	3	2	1	0
ST1		STM		0		MP		WDT		ESR2		ESR1		ESR0	
rh		rh		rh		rh		rh		rh		rh		rh	

Field	Bits	Type	Description
<b>ESR0</b>	[1:0]	rh	<p><b>ESR0 Trigger Status</b></p> <p>00<sub>B</sub> The Software reset trigger was not relevant for the last reset</p> <p>01<sub>B</sub> The Software reset trigger was relevant for the last reset. System, Internal Application, and Application Resets where generated.</p> <p>10<sub>B</sub> The Software reset trigger was relevant for the last reset. Internal Application and Application Resets where generated.</p> <p>11<sub>B</sub> The Software reset trigger was relevant for the last reset. Application Reset was generated.</p>
<b>ESR1</b>	[3:2]	rh	<p><b>ESR1 Reset Typ Status</b></p> <p>00<sub>B</sub> The <u>ESR1</u> reset trigger was not relevant for the last reset</p> <p>01<sub>B</sub> The <u>ESR1</u> reset trigger was relevant for the last reset. System, Internal Application, and Application Resets where generated.</p> <p>10<sub>B</sub> The <u>ESR1</u> reset trigger was relevant for the last reset. Internal Application, and Application Resets where generated.</p> <p>11<sub>B</sub> The <u>ESR1</u> reset trigger was relevant for the last reset. Application Reset was generated.</p>

Field	Bits	Type	Description
<b>ESR2</b>	[5:4]	rh	<p><b>ESR2 Reset Typ Status</b></p> <p>00<sub>B</sub> The <math>\overline{\text{ESR2}}</math> reset trigger was not relevant for the last reset</p> <p>01<sub>B</sub> The <math>\overline{\text{ESR2}}</math> reset trigger was relevant for the last reset. System, Internal Application, and Application Resets where generated.</p> <p>10<sub>B</sub> The <math>\overline{\text{ESR2}}</math> reset trigger was relevant for the last reset. Internal Application, and Application Resets where generated.</p> <p>11<sub>B</sub> The <math>\overline{\text{ESR2}}</math> reset trigger was relevant for the last reset. Application Reset was generated.</p>
<b>WDT</b>	[7:6]	rh	<p><b>WDT Reset Typ Status</b></p> <p>00<sub>B</sub> The WDT reset trigger was not relevant for the last reset</p> <p>01<sub>B</sub> The WDT reset trigger was relevant for the last reset. System, Internal Application, and Application Resets where generated.</p> <p>10<sub>B</sub> The WDT reset trigger was relevant for the last reset. Internal Application, and Application Resets where generated.</p> <p>11<sub>B</sub> The WDT reset trigger was relevant for the last reset. Application Reset was generated.</p>
<b>MP</b>	[9:8]	rh	<p><b>MP Reset Typ Status</b></p> <p>00<sub>B</sub> The MP reset trigger was not relevant for the last reset</p> <p>01<sub>B</sub> The MP reset trigger was relevant for the last reset. System, Internal Application, and Application Resets where generated.</p> <p>10<sub>B</sub> The MP reset trigger was relevant for the last reset. Internal Application, and Application Resets where generated.</p> <p>11<sub>B</sub> The MP reset trigger was relevant for the last reset. Application Reset was generated.</p>

Field	Bits	Type	Description
<b>STM</b>	[13:12]	rh	<b>Power-on for DMP_M Reset Status</b> 00 <sub>B</sub> The power-on reset for DMP_M reset trigger was not relevant for the last reset 01 <sub>B</sub> The power-on reset for DMP_M reset trigger was not relevant for the last reset 10 <sub>B</sub> The power-on reset for DMP_M reset trigger was not relevant for the last reset 11 <sub>B</sub> The power-on reset for DMP_M reset trigger was relevant for the last reset
<b>ST1</b>	[15:14]	rh	<b>Power-on for DMP_1 Reset Status</b> 00 <sub>B</sub> The power-on reset for DMP_1 reset trigger was not relevant for the last reset 01 <sub>B</sub> The power-on reset for DMP_1 reset trigger was not relevant for the last reset 10 <sub>B</sub> The power-on reset for DMP_1 reset trigger was not relevant for the last reset 11 <sub>B</sub> The power-on reset for DMP_1 reset trigger was relevant for the last reset
<b>0</b>	[11:10]	r	<b>Reserved</b> Read as 0; should be written with 0.

**RSTSTAT2**

**Reset Status 2 Register**

**ESFR (F0B6<sub>H</sub>/5B<sub>H</sub>)**

**Reset Value: 0000<sub>H</sub>**

15	14	13	12	11	10	9	8	7	6	5	4	3	2	1	0
<b>0</b>						<b>OJCONF3</b>	<b>OJCONF2</b>	<b>OJCONF1</b>	<b>OJCONF0</b>						
r						rh	rh	rh	rh						

Field	Bits	Type	Description
<b>DB</b>	[1:0]	rh	<p><b>Debug Reset Typ Status</b></p> <p>00<sub>B</sub> The DB reset trigger was not relevant for the last reset</p> <p>01<sub>B</sub> The DB reset trigger was not relevant for the last reset</p> <p>10<sub>B</sub> The DB reset trigger was not relevant for the last reset</p> <p>11<sub>B</sub> The DB reset trigger was relevant for the last reset</p>
<b>OJCONF0</b>	[3:2]	rh	<p><b>OJCONF0 Reset Typ Status</b></p> <p>00<sub>B</sub> The OFCONF0 reset trigger was not relevant for the last reset</p> <p>01<sub>B</sub> The OFCONF0 reset trigger was relevant for the last reset. System, Internal Application, and Application Resets where generated.</p> <p>10<sub>B</sub> The OFCONF0 reset trigger was not relevant for the last reset</p> <p>11<sub>B</sub> The OFCONF0 reset trigger was not relevant for the last reset</p>
<b>OJCONF1</b>	[5:4]	rh	<p><b>OJCONF1 Reset Typ Status</b></p> <p>00<sub>B</sub> The OFCONF1 reset trigger was not relevant for the last reset</p> <p>01<sub>B</sub> The OFCONF1 reset trigger was not relevant for the last reset</p> <p>10<sub>B</sub> The OFCONF1 reset trigger was not relevant for the last reset</p> <p>11<sub>B</sub> The OFCONF1 reset trigger was relevant for the last reset. Debug Reset was generated.</p>
<b>OJCONF2</b>	[7:6]	rh	<p><b>OJCONF2 Reset Typ Status</b></p> <p>00<sub>B</sub> The OFCONF2 reset trigger was not relevant for the last reset</p> <p>01<sub>B</sub> The OFCONF2 reset trigger was not relevant for the last reset</p> <p>10<sub>B</sub> The OFCONF2 reset trigger was relevant for the last reset. Internal Application, and Application Resets where generated.</p> <p>11<sub>B</sub> The OFCONF2 reset trigger was not relevant for the last reset</p>

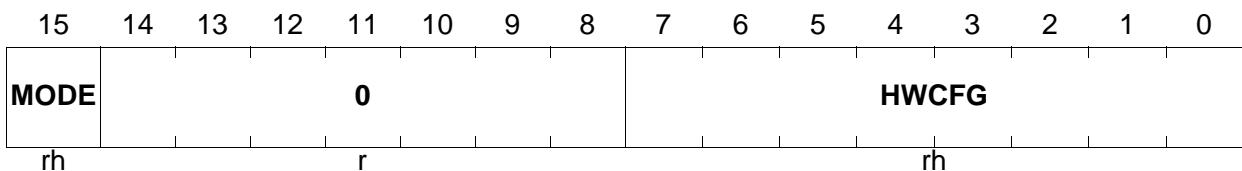
Field	Bits	Type	Description
OJCONF3	[9:8]	rw	<b>OJCONF3 Reset Typ Status</b> 00 <sub>B</sub> The OFCONF3 reset trigger was not relevant for the last reset 01 <sub>B</sub> The OFCONF3 reset trigger was not relevant for the last reset 10 <sub>B</sub> The OFCONF3 reset trigger was not relevant for the last reset 11 <sub>B</sub> The OFCONF3 reset trigger was relevant for the last reset. Application Reset was generated.
0	[15:10]	r	<b>Reserved</b> Read as 0; should be written with 0.

**STSTAT**

**Start-up Status Register**

**ESFR (F1E0<sub>H</sub>/F0<sub>H</sub>)**

**Reset Value: 8000<sub>H</sub>**



Field	Bits	Type	Description
HWCFG	[7:0]	rh	<b>HW Configuration Setting</b> This bitfield indicates the currently selected Start-Up Mode (please refer to <a href="#">Section 10.1</a> )
MODE	15	rh	<b>Mode</b> This bit indicates if the correct Mode is entered or not. 0 <sub>B</sub> Reserved, the correct Mode is not entered 1 <sub>B</sub> Normal Mode is selected
0	[14:8]	r	<b>Reserved</b> read as 0; should be written with 0.



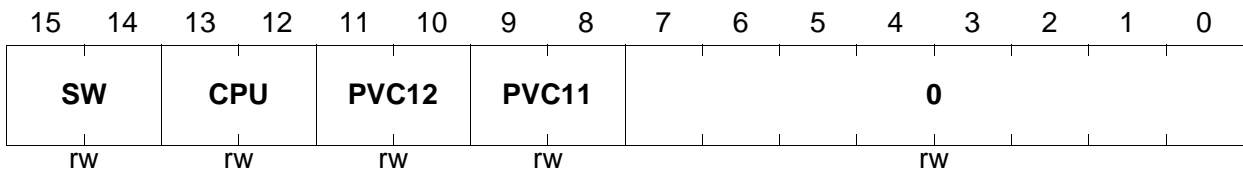
### 6.2.10.2 Configuration Registers

These registers allow the behavioral configuration for the various reset trigger sources.

#### RSTCON0

#### Reset Configuration 0 Register ESR (F0B8<sub>H</sub>/5C<sub>H</sub>)

Reset Value: 0000<sub>H</sub>



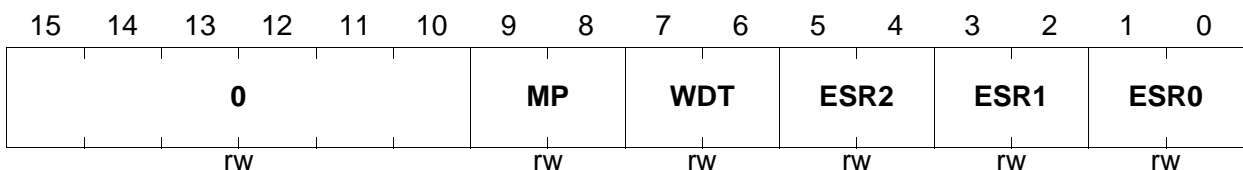
Field	Bits	Type	Description
<b>PVC11</b>	[9:8]	rw	<b>PVC_1 Check Level 1 Reset Type Selection</b> This bit field defines which reset types are generated by a PVC_1 check level 1 reset request trigger. 00 <sub>B</sub> No reset is generated 01 <sub>B</sub> System, Internal Application, and Application Resets are generated 10 <sub>B</sub> Internal Application, and Application Resets are generated 11 <sub>B</sub> Application Reset is generated
<b>PVC12</b>	[11:10]	rw	<b>PVC_1 Check Level 2 Reset Type Selection</b> This bit field defines which reset types are generated by a PVC_1 check level 2 reset request trigger. 00 <sub>B</sub> No reset is generated 01 <sub>B</sub> System, Internal Application, and Application Resets are generated 10 <sub>B</sub> Internal Application, and Application Resets are generated 11 <sub>B</sub> Application Reset is generated
<b>CPU</b>	[13:12]	rw	<b>CPU Reset Type Selection</b> This bit field defines which reset types are generated by a CPU reset request trigger. 00 <sub>B</sub> No reset is generated 01 <sub>B</sub> System, Internal Application, and Application Resets are generated 10 <sub>B</sub> Internal Application, and Application Resets are generated 11 <sub>B</sub> Application Reset is generated

Field	Bits	Type	Description
<b>SW</b>	[15:14]	rw	<b>Software Reset Type Selection</b> This bit field defines which reset types are generated by a software reset request trigger. 00 <sub>B</sub> No reset is generated 01 <sub>B</sub> System, Internal Application, and Application Resets are generated 10 <sub>B</sub> Internal Application, and Application Resets are generated 11 <sub>B</sub> Application Reset is generated
<b>0</b>	[0:7]	rw	<b>Reserved</b> Should be written with 0.

**RSTCON1**

**Reset Configuration 1 Register ESRF (F0BA<sub>H</sub>/5D<sub>H</sub>)**

**Reset Value: 0002<sub>H</sub>**



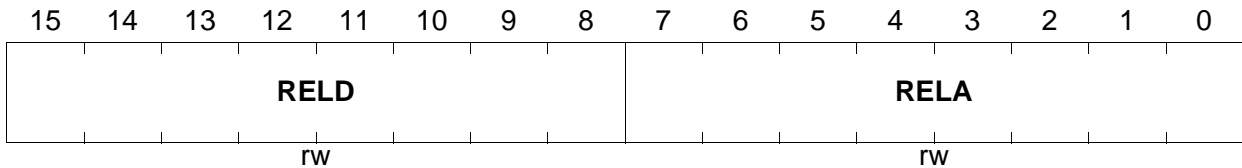
Field	Bits	Type	Description
<b>ESR0</b>	[1:0]	rw	<b>ESR0 Reset Type Selection</b> This bit field defines which reset types are generated by a $\overline{\text{ESR0}}$ reset request trigger. 00 <sub>B</sub> No reset is generated 01 <sub>B</sub> System, Internal Application, and Application Resets are generated 10 <sub>B</sub> Internal Application, and Application Resets are generated 11 <sub>B</sub> Application Reset is generated

Field	Bits	Type	Description
<b>ESR1</b>	[3:2]	rw	<p><b>ESR1 Reset Type Selection</b> This bit field defines which reset types are generated by a <u>ESR1</u> reset request trigger.</p> <p>00<sub>B</sub> No reset is generated 01<sub>B</sub> System, Internal Application, and Application Resets are generated 10<sub>B</sub> Internal Application, and Application Resets are generated 11<sub>B</sub> Application Reset is generated</p>
<b>ESR2</b>	[5:4]	rw	<p><b>ESR2 Reset Type Selection</b> This bit field defines which reset types are generated by a <u>ESR2</u> reset request trigger.</p> <p>00<sub>B</sub> No reset is generated 01<sub>B</sub> System, Internal Application, and Application Resets are generated 10<sub>B</sub> Internal Application, and Application Resets are generated 11<sub>B</sub> Application Reset is generated</p>
<b>WDT</b>	[7:6]	rw	<p><b>WDT Reset Type Selection</b> This bit field defines which reset types are generated by a <u>WDT</u> reset request trigger.</p> <p>00<sub>B</sub> No reset is generated 01<sub>B</sub> System, Internal Application, and Application Resets are generated 10<sub>B</sub> Internal Application, and Application Resets are generated 11<sub>B</sub> Application Reset is generated</p>
<b>MP</b>	[9:8]	rw	<p><b>MP Reset Type Selection</b> This bit field defines which reset types are generated by a <u>MP</u> reset request trigger.</p> <p>00<sub>B</sub> No reset is generated 01<sub>B</sub> System, Internal Application, and Application Resets are generated 10<sub>B</sub> Internal Application, and Application Resets are generated 11<sub>B</sub> Application Reset is generated</p>
<b>0</b>	[15:10]	rw	<p><b>Reserved</b> Should be written with 0.</p>

**RSTCNTCON**

Reset Counter Control RegisterESFR (F1B2<sub>H</sub>/D9<sub>H</sub>)

Reset Value: 0A0A<sub>H</sub>



Field	Bits	Type	Description
RELA	[7:0]	rw	<b>Application Reset Counter Reload Value</b> This bit field defines the reload value of RSTCNTA. This value is always used when counter RSTCNTA is started. This counter value is used for System, Internal Application, and Application Resets.
RELD	[15:8]	rw	<b>Debug Reset Counter Reload Value</b> This bit field defines the reload value of RSTCNTD. This value is always used when counter RSTCNTD is started. This counter value is used for the Debug Reset.

Preliminary

System Control Unit (SCU)

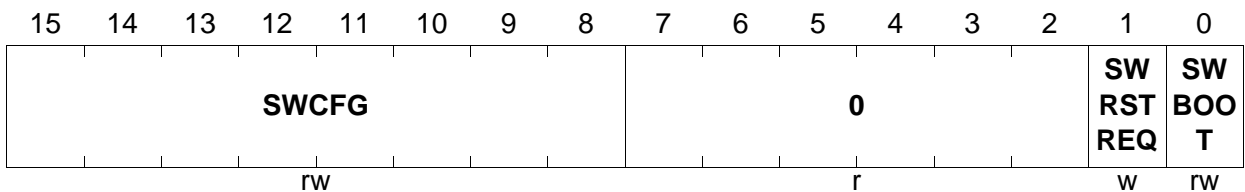
### Software Reset Control Register

This register controls the software reset operation.

#### SWRSTCON

Software Reset Control RegisterESFR (F0AE<sub>H</sub>/57<sub>H</sub>)

Reset Value: 0000<sub>H</sub>



Field	Bits	Type	Description
<b>SWBOOT</b>	0	rw	<b>Software Boot Configuration Selection</b> 0 <sub>B</sub> Bit field STSTAT.HWCFG is not changed 1 <sub>B</sub> Bit field STSTAT.HWCFG is updated with the contents of SWCFG upon an Application Reset
<b>SWRSTREQ</b>	1	w	<b>Software Reset Request</b> 0 <sub>B</sub> No software reset is requested 1 <sub>B</sub> A software reset request trigger is generated This bit is automatically cleared and read always as zero.
<b>SWCFG</b>	[15:8]	rw	<b>Software Boot Configuration</b> A software boot configuration different from the external applied hardware configuration can be specified with these bits. The configuration encoding is equal to the HWCFG encoding in register STSTAT.
<b>0</b>	[7:2]	r	<b>Reserved</b> Read as 0; should be written with 0.

### **6.3 External Service Request (ESR) Pins**

The  $\overline{\text{ESR}}$  pins serve as multi-functional pins for an amount of different options:

- Act as reset trigger input
- Act as reset output
- Act as trap input
- Act as stop input for the CapCom60, CapCom61, CapCom62, and CapCom63
- Act as wake-up trigger for a power saving mode
- Act as trigger input for the GSC
- Overlay with other product functions
- Independent pad configuration

#### **6.3.1 General Operation**

Each  $\overline{\text{ESR}}$  pin is equipped with an edge detection that allows the selection of the edges used as triggers. One, both, or non edge can be selected via bit field `ESRCFGx.AEDCON` if no clock is active in the application power domain and `ESRCFGx.SEDCON` if a clock is active in the application power domain. Additionally there a digital (3-stage median) filter (DF) to suppress from spikes. The  $\overline{\text{ESR}}$  pin needs to be asserted for a minimum of  $2 f_{\text{SYS}}$  clock cycles in order that a trigger is generated. If in the application power domain no clock is active the filter is not taken into account. The filter can be disabled by clearing bit `ESRCFGx.DFEN`.

If an  $\overline{\text{ESR}}$  trigger is generated please note that triggers for all purposes (reset, trap, CCU6X stop, GSC, and PSC) are generated. If some of the actions resulting out of such a trigger should not occur this has to be disabled by each feature for its own.

The following three figures shows the block diagrams of the three ESR functions.

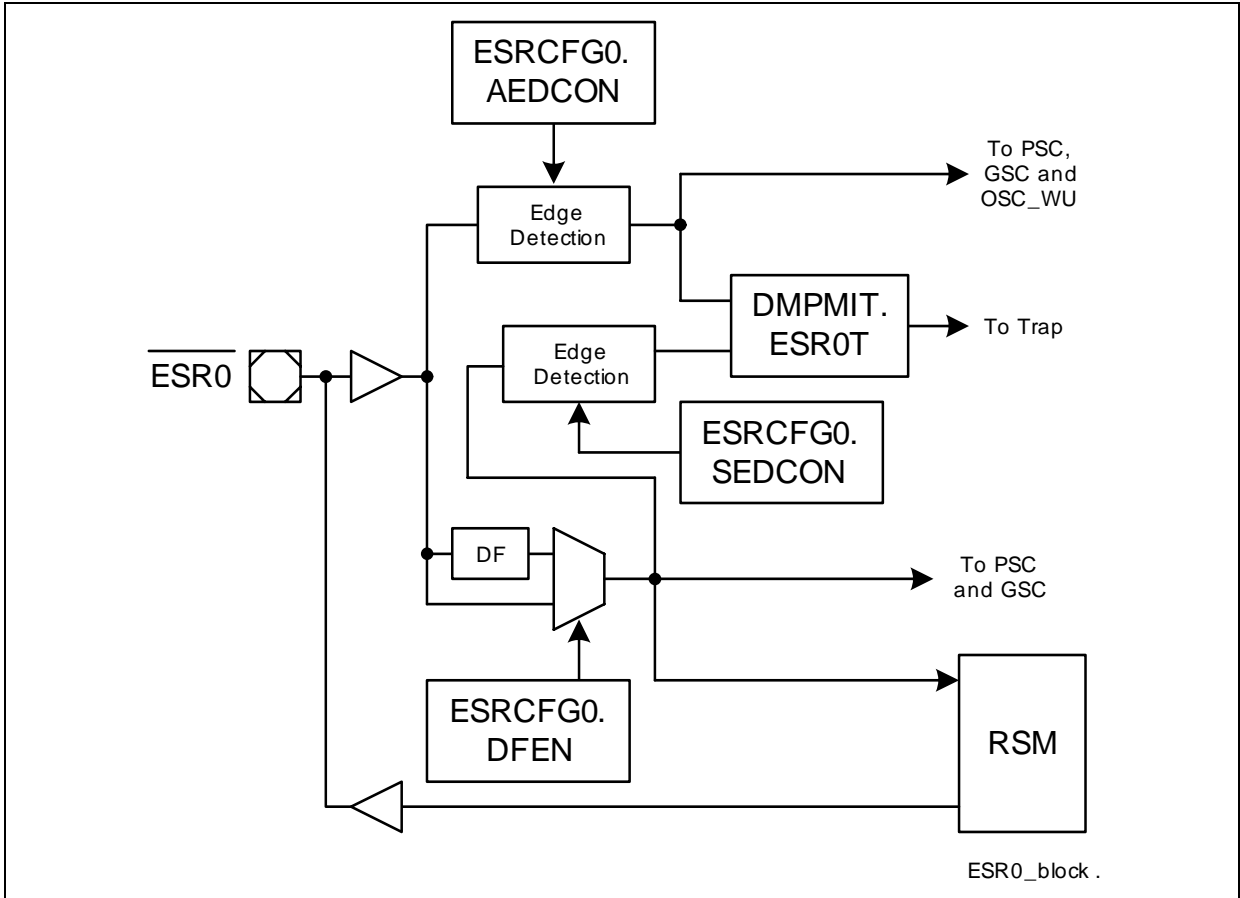


Figure 6-15  $\overline{ESR0}$  Operation

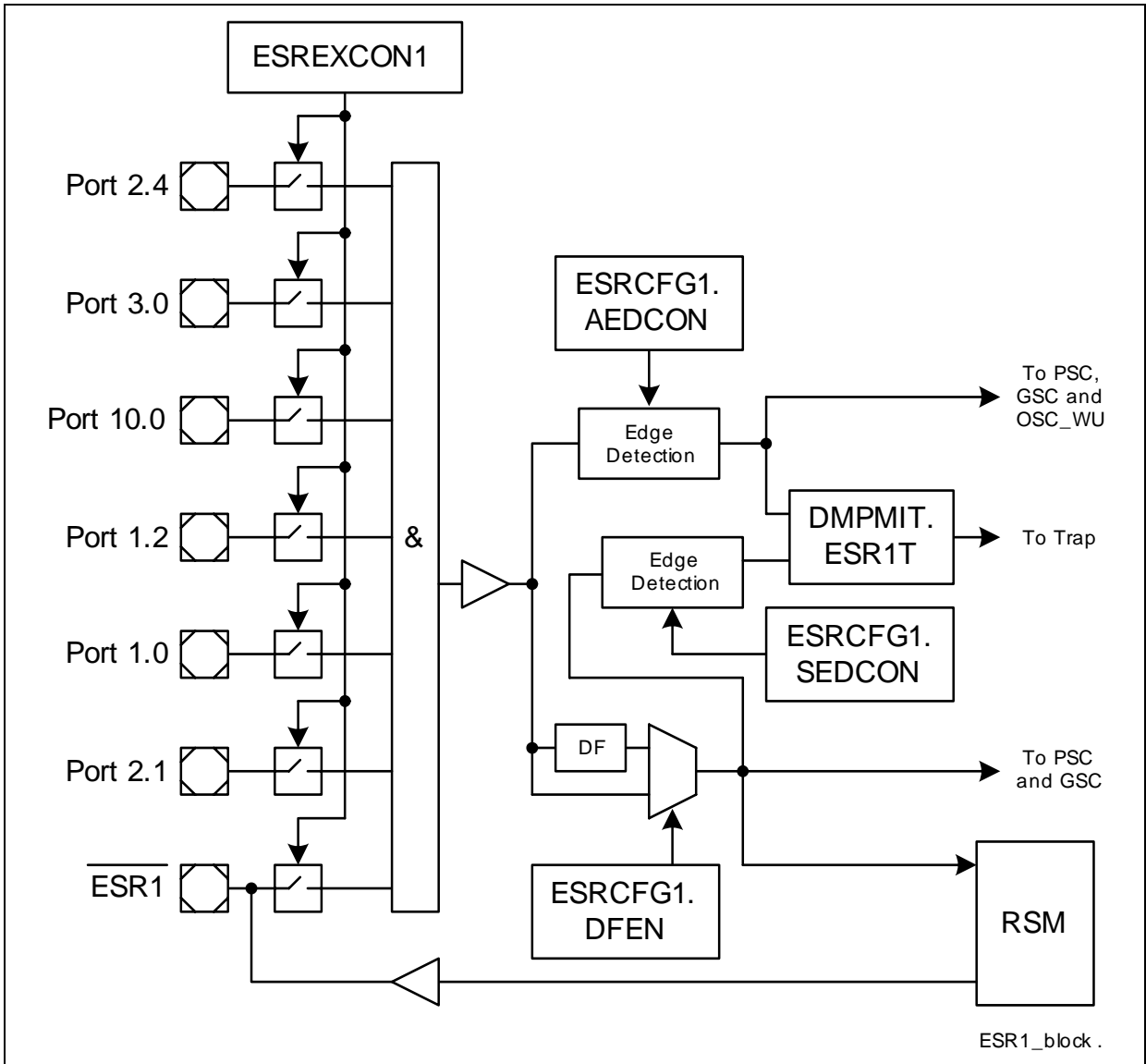


Figure 6-16 ESR1 Operation



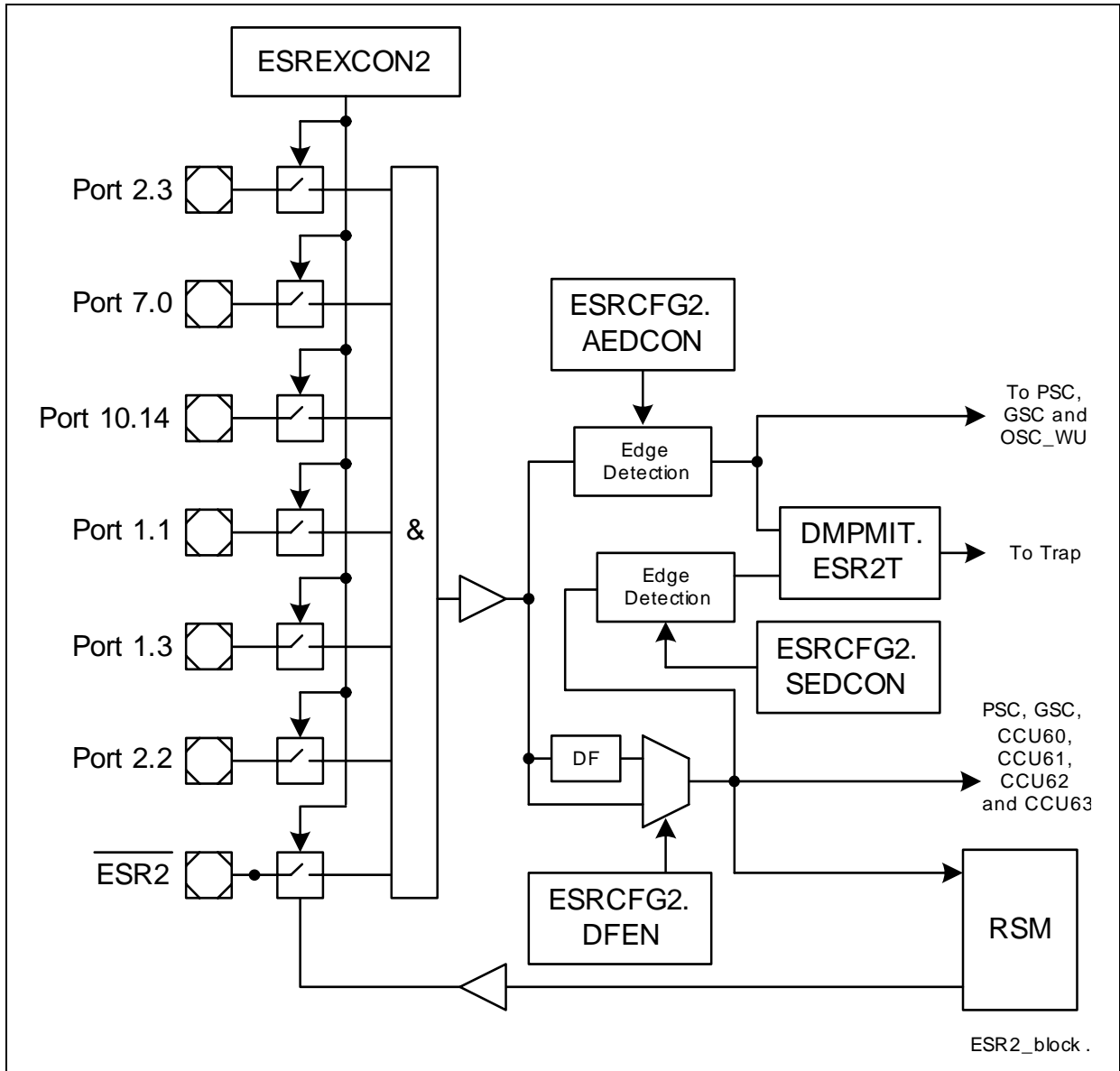


Figure 6-17  $\overline{\text{ESR2}}$  Operation

### 6.3.1.1 $\overline{\text{ESR}}$ as Reset Input

The pins  $\overline{\text{ESR0}}/\overline{\text{ESR1}}/\overline{\text{ESR2}}$  can serve as an external reset input as well as a reset output (open drain) for Internal Application and Application Resets. For the  $\overline{\text{ESR1}}$  and  $\overline{\text{ESR2}}$  additionally several GPIO pad triggers that can be enabled additionally via register  $\text{ESREXCON}_x$  ( $x = 1$  or  $2$ ) interfere with the ESR pin function. GPIO and  $\overline{\text{ESR}}$  pin triggers can be enabled/disabled individually and are combined for the reset trigger generation. For more information about the reset system see [Chapter 6.2](#).

*Note: The reset output is only asserted for the duration the reset counter  $\text{RSTCNTA}$  is active. During a possible reset extension the reset output is not longer asserted.*

### 6.3.1.2 $\overline{\text{ESR}}$ as Reset Output

If the pin  $\overline{\text{ESR0/ESR1/ESR2}}$  is enabled as reset output and the input level is low while the output stage is disabled (indicating that it is still driven low externally), the reset circuitry holds the chip in reset until a high level is detected on  $\overline{\text{ESR0/ESR1/ESR2}}$ . The internal output stage drives a low level during reset only while RSTCNTA is active. It deactivates the output stage when the time defined by RSTCNTCON.RELA has passed. For more information about the reset system see [Chapter 6.2](#).

### 6.3.1.3 $\overline{\text{ESR}}$ as Trap Trigger

The  $\overline{\text{ESR}}$  can request traps. The control mechanism if and which trap is requested is located in the trap control logic. For more information see [Chapter 6.11.3](#).

### 6.3.1.4 $\overline{\text{ESR}}$ as Stop Input

For more information see [Section 18.10.4](#).

### 6.3.1.5 $\overline{\text{ESR}}$ as Wake-up Trigger for the PSC

When the device is currently in a power save state the ESR pin can be used a wake-up trigger. For more information see [Chapter 6.5.5](#).

### 6.3.1.6 $\overline{\text{ESR}}$ as Trigger Input for the GSC

The  $\overline{\text{ESR}}$  can be used to request a change in the Control Mode. For more information see [Chapter 6.6](#).

### 6.3.1.7 Overlay with other Product Functions

For the pins  $\overline{\text{ESR1}}$  and  $\overline{\text{ESR2}}$  an overlay to other product functions are possible. For these two  $\overline{\text{ESR}}$  functions additionally other port inputs can be used to generate  $\overline{\text{ESR}}$  operations. This feature can be used for various applications:

- Wake-up from a power saving mode on an external Interrupt or CCU6x trigger and on a CAN or USIC operation
- Wake-up from a Clock-off Mode on an external Interrupt or CCU6x trigger and on a CAN or USIC operation
- Request to enter a Clock-off Mode on an external Interrupt or CCU6x trigger and on a CAN or USIC operation

For information which other peripheral input is on an ESR overlay pin see respective Data Sheet.

For more information about the external interrupt trigger see [Chapter 6.4](#).

For more information about the external CCU6x trigger see [Section 18.10.4](#).

For more information about CAN operation see [Section 20.4.6](#).

For more information about USIC operation see [Section 19.7.5](#).

### 6.3.1.8 Pad Configuration for $\overline{\text{ESR}}$ Pads

The configuration is selected via bit field ESRCFGx.PC.

The pad functionality control can be configured independently for each pin, comprising:

- A selection of the driver type (open-drain or push-pull)
- An enable function for the output driver (input and/or output capability)
- An enable function for the pull-up/down resistance

The following table defines the coding of the bit fields PC in registers ESRCFG0, ESRCFG1, and ESRCFG2.

*Note: The coding is the same as for the port register bit fields Pn\_IOCRx.PC.*

**Table 6-8 PC Coding**

<b>PCx[3:0]</b>	<b>Selected Pull-up/Pull-down / Selected Output Function</b>	<b>I/O</b>	<b>Output Characteristics</b>
0000 <sub>B</sub>	No pull device activated	Input is not inverted, the input stage is active in power-down mode	
0001 <sub>B</sub>	Pull-down device activated		
0010 <sub>B</sub>	Pull-up device activated		
0011 <sub>B</sub>	No pull device activated		
0100 <sub>B</sub>	No pull device activated	Input is inverted, the input stage is active in power-down mode	
0101 <sub>B</sub>	Pull-down device activated		
0110 <sub>B</sub>	Pull-up device activated		
0111 <sub>B</sub>	No pull device activated		
1000 <sub>B</sub>	Output of ESRCFGx.OUT	Output, the input stage is not inverted and active in power-down mode	Push-pull
1001 <sub>B</sub>	Output of ESRCFGx.OUT		
1010 <sub>B</sub>	Output drives a 0 for an Internal Application Reset, a 1 otherwise.		
1011 <sub>B</sub>	Output drives a 0 for an Application Reset, a 1 otherwise.		
1100 <sub>B</sub>	Output of ESRCFGx.OUT		Open-drain, a pull-up device is activated while the output is not driving a 0
1101 <sub>B</sub>	Output of ESRCFGx.OUT		
1110 <sub>B</sub>	Output drives a 0 for an Internal Application Reset		
1111 <sub>B</sub>	Output drives a 0 for an Application Reset		

## 6.3.2 $\overline{\text{ESR}}$ Control Registers

### 6.3.2.1 Configuration Registers

#### $\overline{\text{ESR}}$ External Control Register

The  $\overline{\text{ESR}}$  External Control registers contain enable/disable bits for the different inputs that can lead to an  $\overline{\text{ESR}}$  action. Only for  $\overline{\text{ESR1}}$  and  $\overline{\text{ESR2}}$  this option is available.

#### ESREXCON1

##### ESR1 External Control Register SFR (FF32<sub>H</sub>/99<sub>H</sub>)

Reset Value: 0001<sub>H</sub>

15	14	13	12	11	10	9	8	7	6	5	4	3	2	1	0
				0					P21 EN	P12 EN	P10 EN	P100 EN	P30 EN	P24 EN	ESR 1EN
									rw	rw	rw	rw	rw	rw	rw

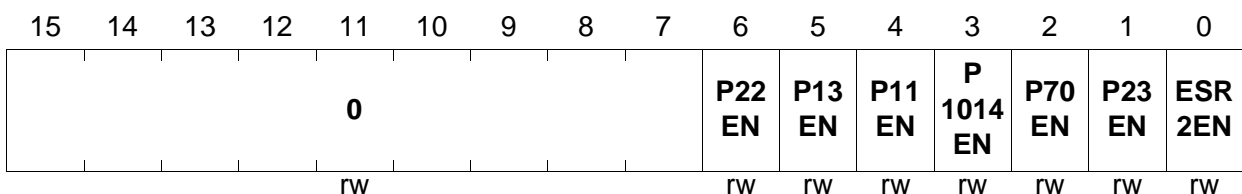
Field	Bits	Type	Description
ESR1EN	0	rw	<b>ESR1 Pin Enable</b> This bit enables/disables the $\overline{\text{ESR1}}$ pin for the activation of all $\overline{\text{ESR1}}$ related actions. 0 <sub>B</sub> The input from pin $\overline{\text{ESR1}}$ is disabled 1 <sub>B</sub> The input from pin $\overline{\text{ESR1}}$ is enabled
P24EN	1	rw	<b>Port 2.4 Pin Enable</b> This bit enables/disables the Port 2.4 pin for the activation of all $\overline{\text{ESR1}}$ related actions. 0 <sub>B</sub> The input from port pin P2.4 is disabled 1 <sub>B</sub> The input from port pin P2.4 is enabled
P30EN	2	rw	<b>Port 3.0 Pin Enable</b> This bit enables/disables the Port 3.0 pin for the activation of all $\overline{\text{ESR1}}$ related actions. 0 <sub>B</sub> The input from port pin P3.0 is disabled 1 <sub>B</sub> The input from port pin P3.0 is enabled
P100EN	3	rw	<b>Port 10.0 Pin Enable</b> This bit enables/disables the Port 10.0 pin for the activation of all $\overline{\text{ESR1}}$ related actions. 0 <sub>B</sub> The input from port pin P10.0 is disabled 1 <sub>B</sub> The input from port pin P10.0 is enabled

Field	Bits	Type	Description
<b>P10EN</b>	4	rw	<b>Port 1.0 Pin Enable</b> This bit enables/disables the Port 1.0 pin for the activation of all $\overline{\text{ESR1}}$ related actions. $0_B$ The input from port pin P1.0 is disabled $1_B$ The input from port pin P1.0 is enabled
<b>P12EN</b>	5	rw	<b>Port 1.2 Pin Enable</b> This bit enables/disables the Port 1.2 pin for the activation of all $\overline{\text{ESR1}}$ related actions. $0_B$ The input from port pin P1.2 is disabled $1_B$ The input from port pin P1.2 is enabled
<b>P21EN</b>	6	rw	<b>Port 2.1 Pin Enable</b> This bit enables/disables the Port 2.1 pin for the activation of all $\overline{\text{ESR1}}$ related actions. $0_B$ The input from port pin P2.1 is disabled $1_B$ The input from port pin P2.1 is enabled
<b>0</b>	[15:7]	rw	<b>Reserved</b> Read as 0; should be written with 0.

**ESREXCON2**

**ESR2 External Control Register SFR (FF34<sub>H</sub>/9A<sub>H</sub>)**

**Reset Value: 0001<sub>H</sub>**



Field	Bits	Type	Description
<b>ESR2EN</b>	0	rw	<b>ESR2 Pin Enable</b> This bit enables/disables the $\overline{\text{ESR2}}$ pin for the activation of all $\overline{\text{ESR2}}$ related actions. $0_B$ The input from pin $\overline{\text{ESR2}}$ is disabled $1_B$ The input from pin $\overline{\text{ESR2}}$ is enabled
<b>P23EN</b>	1	rw	<b>Port 2.3 Pin Enable</b> This bit enables/disables the Port 2.3 pin for the activation of all $\overline{\text{ESR2}}$ related actions. $0_B$ The input from port pin P2.3 is disabled $1_B$ The input from port pin P2.3 is enabled

Field	Bits	Type	Description
<b>P70EN</b>	2	rw	<p><b>Port 7.0 Pin Enable</b> This bit enables/disables the Port 7.0 pin for the activation of all <math>\overline{\text{ESR2}}</math> related actions.</p> <p>0<sub>B</sub> The input from port pin P7.0 is disabled 1<sub>B</sub> The input from port pin P7.0 is enabled</p>
<b>P1014EN</b>	3	rw	<p><b>Port 10.14 Pin Enable</b> This bit enables/disables the Port 10.14 pin for the activation of all <math>\overline{\text{ESR2}}</math> related actions.</p> <p>0<sub>B</sub> The input from port pin P10.14 is disabled 1<sub>B</sub> The input from port pin P10.14 is enabled</p>
<b>P11EN</b>	4	rw	<p><b>Port 1.1 Pin Enable</b> This bit enables/disables the Port 1.1 pin for the activation of all <math>\overline{\text{ESR2}}</math> related actions.</p> <p>0<sub>B</sub> The input from port pin P1.1 is disabled 1<sub>B</sub> The input from port pin P1.1 is enabled</p>
<b>P13EN</b>	5	rw	<p><b>Port 1.3 Pin Enable</b> This bit enables/disables the Port 1.3 pin for the activation of all <math>\overline{\text{ESR2}}</math> related actions.</p> <p>0<sub>B</sub> The input from port pin P1.3 is disabled 1<sub>B</sub> The input from port pin P1.3 is enabled</p>
<b>P22EN</b>	6	rw	<p><b>Port 2.2 Pin Enable</b> This bit enables/disables the Port 2.2 pin for the activation of all <math>\overline{\text{ESR2}}</math> related actions.</p> <p>0<sub>B</sub> The input from port pin P2.2 is disabled 1<sub>B</sub> The input from port pin P2.2 is enabled</p>
<b>0</b>	[15:7]	rw	<p><b>Reserved</b> Read as 0; should be written with 0.</p>

### ESR Configuration Register

The  $\overline{\text{ESR}}$  configuration registers contains bits required for the behavioral control of the ESR pins.

#### ESRCFG0

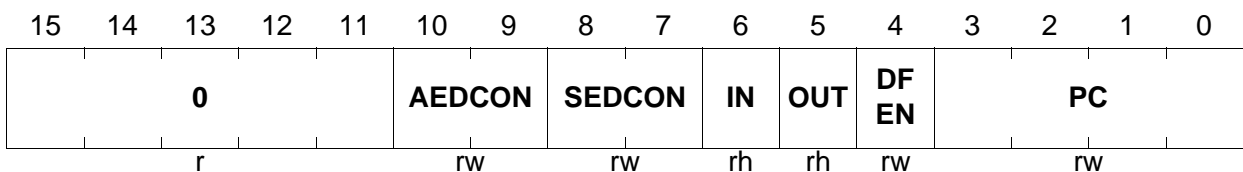
ESR0 Configuration Register    **ESFR (F100<sub>H</sub>/80<sub>H</sub>)**                      **Reset Value: 000E<sub>H</sub>**

#### ESRCFG1

ESR1 Configuration Register    **ESFR (F102<sub>H</sub>/81<sub>H</sub>)**                      **Reset Value: 0002<sub>H</sub>**

#### ESRCFG2

ESR2 Configuration Register    **ESFR (F104<sub>H</sub>/82<sub>H</sub>)**                      **Reset Value: 0002<sub>H</sub>**



Field	Bits	Type	Description
<b>PC</b>	[3:0]	rw	<b>Pin Control of <math>\overline{\text{ESRx}}</math></b> This bit field controls the behavior of the associated $\overline{\text{ESRx}}$ pin. The coding is described in <a href="#">Table 6-8</a> .
<b>DFEN</b>	4	rw	<b>Digital Filter Enable</b> This bit defines if the 3-stage median filter of the $\overline{\text{ESRx}}$ is used or bypassed. 0 <sub>B</sub> The filter is bypassed 1 <sub>B</sub> The filter is used
<b>OUT</b>	5	rh	<b>Data Output</b> This bit can be used as output value for the associated $\overline{\text{ESRx}}$ pin. 0 <sub>B</sub> If selected, the output level is 0 1 <sub>B</sub> If selected, the output level is 1
<b>IN</b>	6	rh	<b>Data Input</b> This bit monitors the input value at the associated $\overline{\text{ESRx}}$ pin.

Field	Bits	Type	Description
<b>SEDCON</b>	[8:7]	rw	<p><b>Synchronous Edge Detection Control</b>            This bit field defines the edges that lead to an <math>\overline{\text{ESRx}}</math> trigger of the synchronous path.</p> <p>00<sub>B</sub> No trigger is generated            01<sub>B</sub> A trigger is generated upon a raising edge            10<sub>B</sub> A trigger is generated upon a falling edge            11<sub>B</sub> A trigger is generated upon a raising AND falling edge</p> <p>Other combinations than 00<sub>B</sub> are only allowed if bit field AEDCON is configured to 00<sub>B</sub>.</p>
<b>AEDCON</b>	[10:9]	rw	<p><b>Asynchronous Edge Detection Control</b>            This bit field defines the edges that lead to an <math>\overline{\text{ESRx}}</math> trigger of the asynchronous path.</p> <p>00<sub>B</sub> No trigger is generated            01<sub>B</sub> A trigger is generated upon a raising edge            10<sub>B</sub> A trigger is generated upon a falling edge            11<sub>B</sub> A trigger is generated upon a raising AND falling edge</p> <p>Other combinations than 00<sub>B</sub> are only allowed if bit field SEDCON is configured to 00<sub>B</sub>.</p>
<b>0</b>	[15:11]	r	<p><b>Reserved</b>            Read as 0; should be written with 0.</p>



### 6.3.3 ESR Data Register

#### 6.3.3.1 ESRDAT

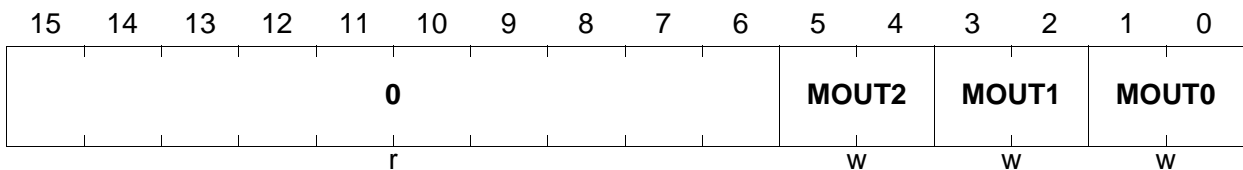
The  $\overline{\text{ESR}}$  data register contains bits required if  $\overline{\text{ESR0}}/\overline{\text{ESR1}}/\overline{\text{ESR2}}$  are used as data ports.

#### ESRDAT

ESR Data Register

ESFR (F106<sub>H</sub>/83<sub>H</sub>)

Reset Value: 0000<sub>H</sub>



Field	Bits	Type	Description
<b>MOUT0</b>	[1:0]	w	<b>Modification of ESRCFG0.OUT</b> Writing to this bit field <u>can</u> modify the content of bit ESRCFG0.OUT for $\overline{\text{ESR0}}$ . It always reads 0. 00 <sub>B</sub> Bit ESRCFG0.OUT is unchanged 01 <sub>B</sub> Bit ESRCFG0.OUT is set 10 <sub>B</sub> Bit ESRCFG0.OUT is cleared 11 <sub>B</sub> Reserved, do not use this combination
<b>MOUT1</b>	[3:2]	w	<b>Modification of ESRCFG1.OUT</b> Writing to this bit field <u>can</u> modify the content of bit ESRCFG1.OUT for $\overline{\text{ESR1}}$ . It always reads 0. 00 <sub>B</sub> Bit ESRCFG1.OUT is unchanged 01 <sub>B</sub> Bit ESRCFG1.OUT is set 10 <sub>B</sub> Bit ESRCFG1.OUT is cleared 11 <sub>B</sub> Reserved, do not use this combination
<b>MOUT2</b>	[5:4]	w	<b>Modification of ESRCFG2.OUT</b> Writing to this bit field <u>can</u> modify the content of bit ESRCFG2.OUT for $\overline{\text{ESR2}}$ . It always reads 0. 00 <sub>B</sub> Bit ESRCFG2.OUT is unchanged 01 <sub>B</sub> Bit ESRCFG2.OUT is set 10 <sub>B</sub> Bit ESRCFG2.OUT is cleared 11 <sub>B</sub> Reserved, do not use this combination
<b>0</b>	[15:6]	w	<b>Reserved</b> Read as 0; should be written with 0.

## 6.4 External Request Unit (ERU)

The External Request Unit (ERU) is a versatile event and pattern detection unit. Its major task is the **generation of interrupts based on selectable trigger events at different inputs**, e.g. to generate external interrupt requests if an edge occurs at an input pin. The detected events can also be used by other modules to trigger or to gate module-specific actions, such as conversions of the ADC module.

### 6.4.1 Introduction

The ERU of the XC2000 can be split in three main functional parts:

- 4 independent **Input Channels x** for input selection and conditioning of trigger or gating functions
- Event distribution: A **Connecting Matrix** defines the events of the Input Channel x that lead to a reaction of an Output Channel y.
- 4 independent **Output Channels y** for combination of events, definition of their effects and distribution to the system (interrupt generation, ADC conversion triggers)

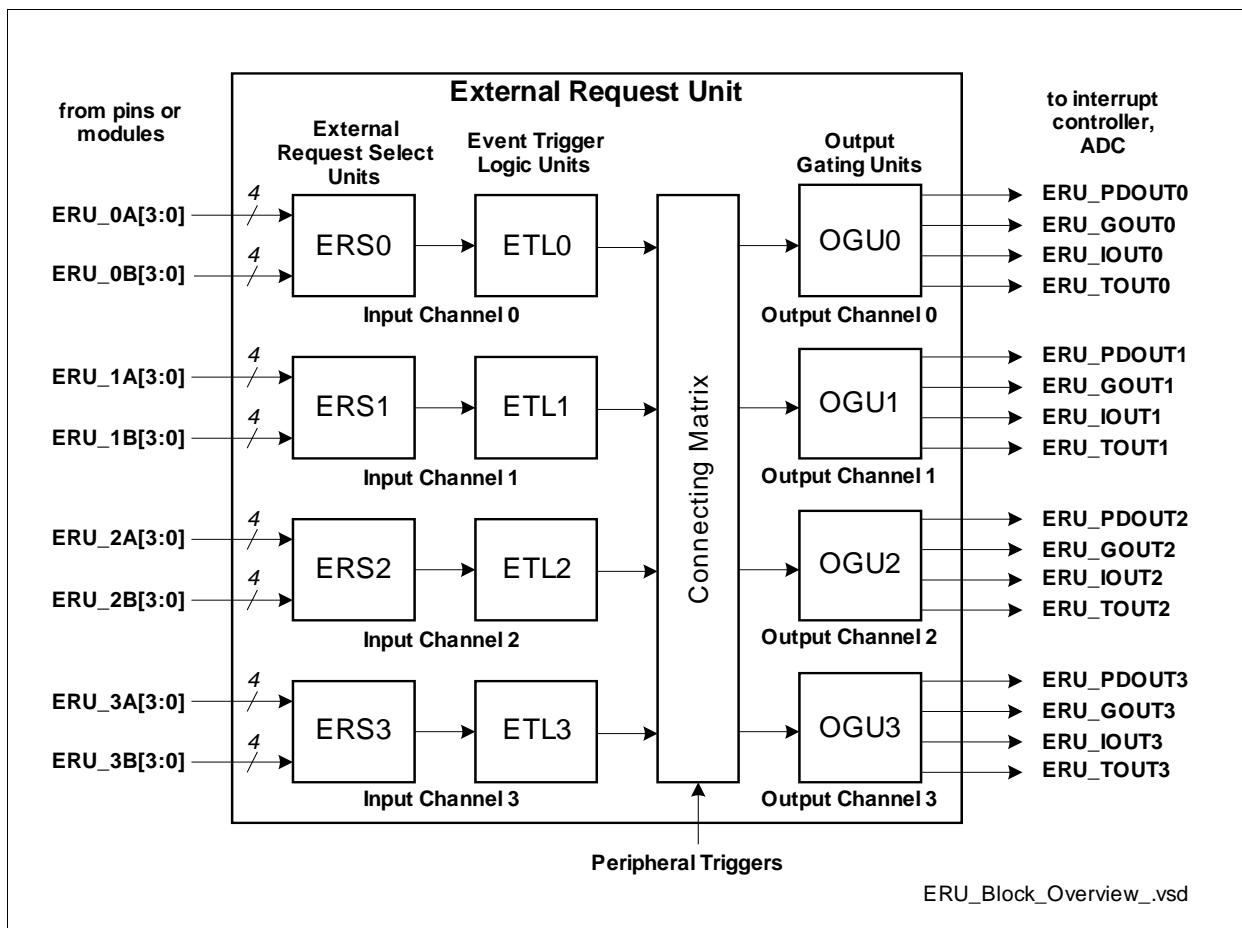


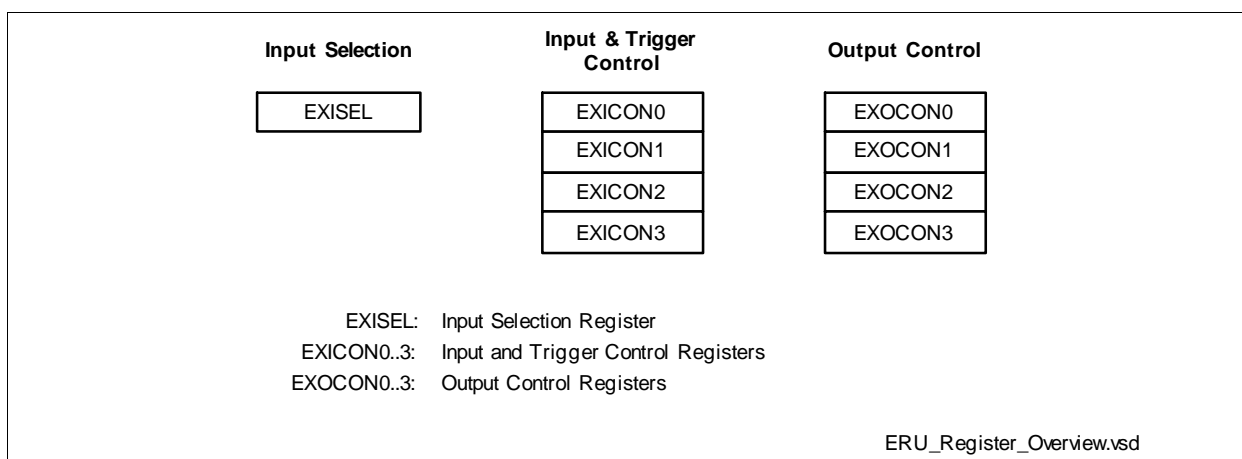
Figure 6-18 External Request Unit Overview

These tasks are handled by the following building blocks:

- An **External Request Select Unit (ERSx)** per Input Channel allows the selection of one out of two or a logical combination of two inputs (ERU\_xA, ERU\_xB) to a common trigger. For each of these two inputs, an input vector of 4 possible inputs is available (e.g. the actual input ERU\_xA can be selected from one of the ERU inputs ERU\_xA[3:0], similar for ERU\_xB).
- An **Event Trigger Logic (ETLx)** per Input Channel allows the definition of the transition (edge selection, or by software) that lead to a trigger event and can also store this status. Here, the input levels of the selected inputs are translated into events (event detected = event flag becomes set, independent of the polarity of the original inputs).
- The **Connecting Matrix** distributes the events and status flags generated by the Input Channels to the Output Channels. Additionally, some peripheral triggers from other modules (e.g. CC2) are made available and can be combined with the triggers generated by the Input Channels of the ERU.
- An **Output Gating Unit (OGUy)** per Output Channel that combines the available trigger events and status information from the Input Channels. An event of one Input Channel can lead to reactions of several Output Channels, or also events of several Input Channels can be combined to a reaction of one Output Channel (pattern detection).

Different types of reactions are possible, e.g. interrupt generation (based on ERU\_IOUTy), triggering of ADC conversions (based on ERU\_TOUTy), or gating of ADC conversions (based on ERU\_GOUTy).

The ERU is controlled by a number of registers, shown in [Figure 6-19](#), and described in [Section 6.4.8](#).



**Figure 6-19 ERU Registers Overview**

### 6.4.2 ERU Pin Connections

Figure 6-20 shows the ERU input connections, either directly with pins or via communication modules, such as USIC or MultiCAN. These communication modules provide their inputs (e.g. CAN receive input, or USIC data, clock, or control inputs) that have been selected in these modules. With this structure, the number of possible input pins is significantly increased, because not only the selection capability of the ERU is used, but also the selection capability of the communication modules.

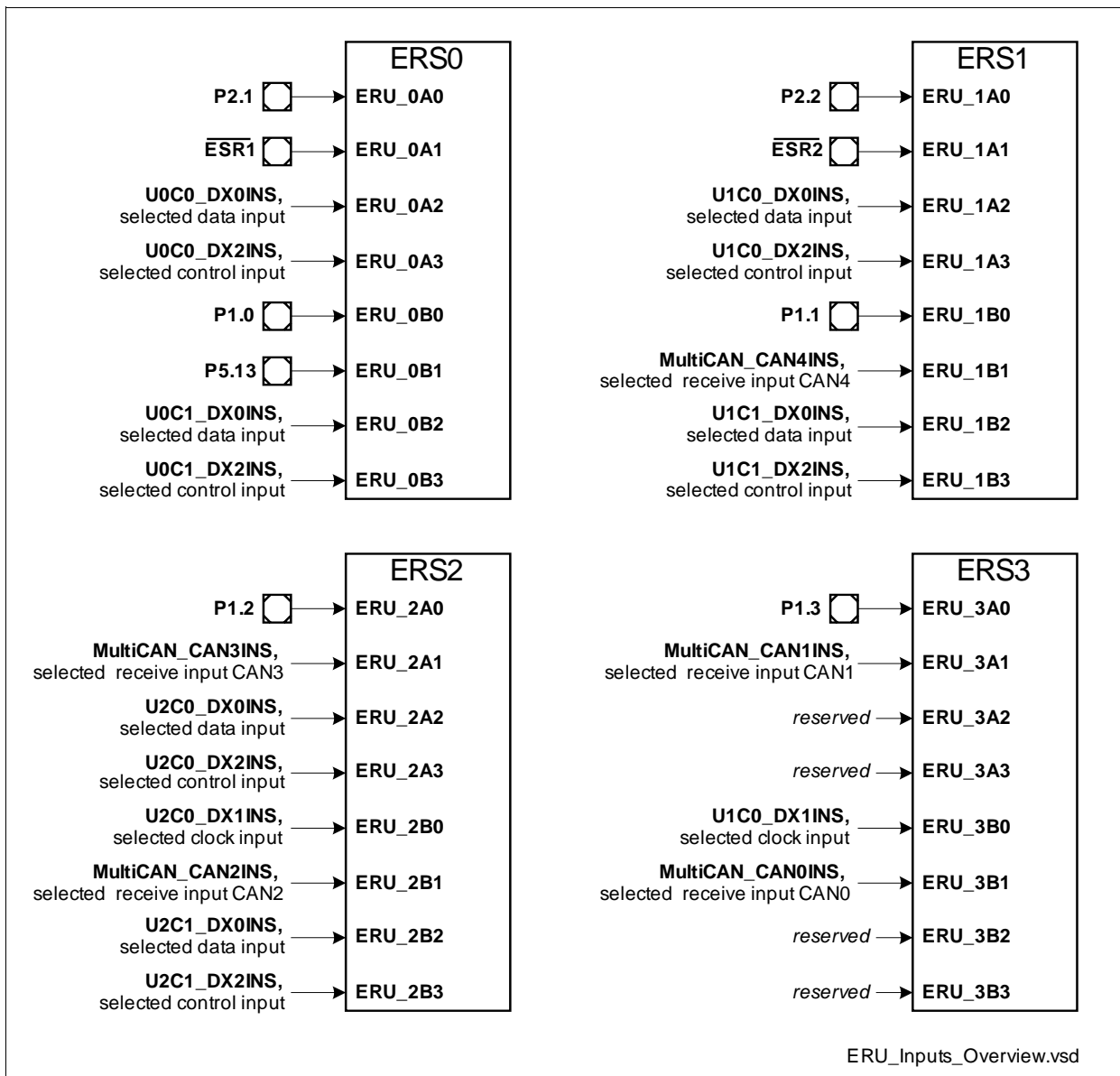


Figure 6-20 ERU Inputs Overview

The inputs to the ERU can be selected from a large number of inputs. While some of the inputs come directly from a pin, other inputs come from various peripheral modules, such

as the USIC (inputs named with prefix UxCy to indicate which the communication channel) and the MultiCAN modules. These inputs come from the pins that has been selected as inputs for a USIC or MultiCAN function. The selection of the input is made within the respective USIC or MultiCAN module.

Usually, such inputs would be selected for an ERU function when the input function to the USIC or MultiCAN module is not used otherwise, or the module is not used at all. However, it is also possible to select a input that is actually needed in a USIC or MultiCAN module, and to use it also in the ERU to provide for certain trigger functions, eventually combined with other inputs (e.g. to generate an interrupt in case a start of frame is detected at a selected communication input).

**Table 6-9** provides a complete overview of all pins as well as the ESRx inputs, that can possibly be used as inputs to the ERU. Please note that there are also some other peripheral inputs, that can be selected by the USIC or MultiCAN module via their respective input multiplexers, and that can therefore be used as ERU inputs.

In total, **external inputs from up to 51 pins** (from which 7 are direct inputs to the ERU) plus the ESRx pins can be chosen. For some of them, several choices exist in respect to which module provides it and to which ERSx they are connected to).

**Table 6-9 ERU External Pin Input Options**

Port	Pin	Selectable via	ERU Input
<b>P0</b>	P0.0	U1C0 data input DX0A	ERS1, ERU_1A2
	P0.1	U1C0 data input DX0B U1C0 clock input DX1A	ERS1, ERU_1A2 ERS3, ERU_3B0
	P0.2	U1C0 clock input DX1B	ERS3, ERU_3B0
	P0.3	U1C0 control input DX2A MultiCAN receive input RXDC0B	ERS1, ERU_1A3 ERS3, ERU_3B1
	P0.4	U1C1 control input DX2A MultiCan receive input RXDC1B	ERS1, ERU_1B3 ERS3, ERU_3A1
	P0.5	U1C0 clock input DX1C	ERS3, ERU_3B0
	P0.5	U1C1 data input DX0A	ERS1, ERU_1B2
	P0.7	U1C1 data input DX0B	ERS1, ERU_1B2

**Table 6-9 ERU External Pin Input Options (cont'd)**

Port	Pin	Selectable via	ERU Input
<b>P1</b>	P1.0	Direct ERU input	ERS0, ERU_0B0
	P1.1	Direct ERU input U2C1 data input DX0C	ERS1, ERU_1B0 ERS2, ERU_2B2
	P1.2	Direct ERU input U2C1 data input DX0D	ERS2, ERU_2A0 ERS2, ERU_2B2
	P1.3	Direct ERU input	ERS3, ERU_3A0
	P1.4	U2C0 control input DX2B	ERS2, ERU_2A3
	P1.5	U2C0 data input DX0C	ERS2, ERU_2A2
	P1.6	U2C0 data input DX0D	ERS2, ERU_2A2
	P1.7	U2C0 clock input DX1C	ERS2, ERU_2B0
<b>P2</b>	P2.0	MultiCAN receive input RXDC0C	ERS3, ERU_3B1
	P2.1	Direct ERU input	ERS0, ERU_0A0
	P2.2	Direct ERU input	ERS1, ERU_1A0
<b>P2</b>	P2.3	U0C0 data input DX0E MultiCAN receive input RXDC0A	ERS0, ERU_0A2 ERS3, ERU_3B1
	P2.4	U0C0 data input DX0F MultiCAN receive input RXDC1A	ERS0, ERU_0A2 ERS3, ERU_3A1
	P2.6	U0C0 control input DX2D MultiCAN receive input RXDC0D	ERS0, ERU_0A3 ERS3, ERU_3B1
	P2.7	U0C1 control input DX2C MultiCAN receive input RXDC1C	ERS0, ERU_0B3 ERS3, ERU_3A1
	P2.10	U0C1 data input DX0E	ERS0, ERU_0B2
<b>P3</b>	P3.0	U2C0 data input DX0A U2C0 clock input DX1A MultiCAN receive input RXDC3B	ERS2, ERU_2A2 ERS2, ERU_2B0 ERS2, ERU_2A1
	P3.1	U2C0 data input DX0B	ERS2, ERU_2A2
	P3.2	U2C0 control input DX2A U2C0 clock input DX1B	ERS2, ERU_2A3 ERS2, ERU_2B0
	P3.3	MultiCAN receive input RXDC3A	ERS2, ERU_2A1
	P3.4	U2C1 control input DX2A MultiCAN receive input RXDC4A	ERS2, ERU_2B3 ERS1, ERU_1B1
	P3.6	U2C1 data input DX0A	ERS2, ERU_2B2
	P3.7	U2C0 data input DX0B	ERS2, ERU_2B2

**Table 6-9 ERU External Pin Input Options (cont'd)**

Port	Pin	Selectable via	ERU Input
<b>P4</b>	P4.3	MultiCAN receive input RXDC2A	ERS2, ERU_2B1
<b>P5</b>	P5.13	Direct ERU input	ERS0, ERU_0B1
<b>P6</b>	P6.0	U1C1 data input DX0E	ERS1, ERU_1B2
	P6.3	U1C1 control input DX2D	ERS1, ERU_1B3
<b>P7</b>	P7.0	MultiCAN Node 4 receive input RXDC4B	ERS1, ERU_1B1
	P7.3	U0C1 data input DX0F	ERS0, ERU_0B2
	P7.4	U0C0 data input DX0D	ERS0, ERU_0A2
<b>P9</b>	P9.5	U2C0 data input DX0D	ERS2, ERU_2A2
	P9.7	U2C0 clock input DX1D	ERS2, ERU_2B0
<b>P10</b>	P10.0	U0C0 data input DX0A	ERS0, ERU_0A2
		U0C1 data input DX0A	ERS0, ERU_0B2
	P10.1	U0C0 data input DX0B	ERS0, ERU_0A2
<b>P10</b>	P10.3	U0C0 control input DX2A	ERS0, ERU_0A3
		U0C1 control input DX2A	ERS0, ERU_0B3
	P10.4	U0C0 control input DX2B	ERS0, ERU_0A3
		U0C1 control input DX2B	ERS0, ERU_0B3
	P10.6	U0C0 data input DX0C	ERS0, ERU_0A2
		U1C0 control input DX2D	ERS1, ERU_1A3
	P10.7	U0C1 data input DX0B	ERS0, ERU_0B2
		MultiCAN receive input RXDC4C	ERS1, ERU_1B1
	P10.10	U0C 0 control input DX2C	ERS0, ERU_0A3
P10.11	U1C0 clock input DX1D	ERS3, ERU_3B0	
	MultiCAN receive input RXDC2B	ERS2, ERU_2B1	
P10.12	U1C0 data input DX0C	ERS1, ERU_1A2	
	U1C0 clock input DX1D	ERS3, ERU_3B0	
P10.13	U1C0 data input DX0D	ERS1, ERU_1A2	
P10.14	U0C1 data input DX0C	ERS0, ERU_0B2	
	MultiCAN receive input RXDC3C	ERS2, ERU_2A1	

Preliminary

System Control Unit (SCU)

**Table 6-9 ERU External Pin Input Options (cont'd)**

Port	Pin	Selectable via	ERU Input
<b>ESR inputs</b>	ESR0	U1C0 data input DX0E U1C0 control input DX2B MultiCAN receive input RXDC2D	ERS1, ERU_1A2 ERS1, ERU_1A3 ERS2, ERU_2B1
	ESR1	Direct ERU input U1C0 data input DX0F U1C0 control input DX2C U1C1 data input DX0C U1C1 control input DX2B U2C0 data input DX0F U2C1 control input DX2C MultiCAN receive input RXDC0E	ERS0, ERU_0A1 ERS1, ERU_1A2 ERS1, ERU_1A3 ERS1, ERU_1B2 ERS1, ERU_1B3 ERS2, ERU_2B2 ERS2, ERU_2B3 ERS3, ERU_3B1
	ESR2	Direct ERU input U1C1 data input DX0D U1C1 control input DX2C U2C0 data input DX0E U2C1 control input DX2B MultiCAN receive input RXDC1E	ERS1, ERU_1A1 ERS1, ERU_1B2 ERS1, ERU_1B3 ERS2, ERU_2B2 ERS2, ERU_2B3 ERS3, ERU_3A1



**Preliminary**

**System Control Unit (SCU)**

The following table describes the ERU input connections for the ERSx stages. The selection is defined by the bit fields in register **EXISEL**.

*Note: All functional inputs of the ERU are synchronized to  $f_{SYS}$  before they can affect the internal logic. The resulting delay of  $2/f_{SYS}$  and an uncertainty of  $1/f_{SYS}$  have to be taken into account for precise timing calculation.*

*An edge of an input can only be correctly detected if both, the high phase and the low phase of the input are each longer than  $1/f_{SYS}$ .*

**Table 6-10 ERSx Connections in XC2000**

Input	from/to Module	I/O to ESRx	Can be used to/as
-------	----------------	-------------	-------------------

**ERS0 Inputs**

ERU_0A0	P2.1	I	ERS0 input A
ERU_0A1	$\overline{\text{ESR1}}$	I	
ERU_0A2	U0C0_DX0INS	I	
ERU_0A3	U0C0_DX2INS	I	
ERU_0B0	P1.0	I	ERS0 input B
ERU_0B1	P5.13	I	
ERU_0B2	U0C1_DX0INS	I	
ERU_0B3	U0C1_DX2INS	I	

**ERS1 Inputs**

ERU_1A0	P2.2	I	ERS1 input A
ERU_1A1	$\overline{\text{ESR2}}$	I	
ERU_1A2	U1C0_DX0INS	I	
ERU_1A3	U1C0_DX2INS	I	
ERU_1B0	P1.1	I	ERS1 input B
ERU_1B1	MultiCAN_ CAN4INS	I	
ERU_1B2	U1C1_DX0INS	I	
ERU_1B3	U1C1_DX2INS	I	

**ERS2 Inputs**

**Table 6-10 ERSx Connections in XC2000 (cont'd)**

Input	from/to Module	I/O to ESRx	Can be used to/as
ERU_2A0	P1.2	I	ERS2 input A
ERU_2A1	MultiCAN_ CAN3INS	I	
ERU_2A2	U2C0_DX0INS	I	
ERU_2A3	U2C0_DX2INS	I	
ERU_2B0	U2C0_DX1INS	I	ERS2 input B
ERU_2B1	MultiCAN_ CAN2INS	I	
ERU_2B2	U2C1_DX0INS	I	
ERU_2B3	U2C1_DX2INS	I	

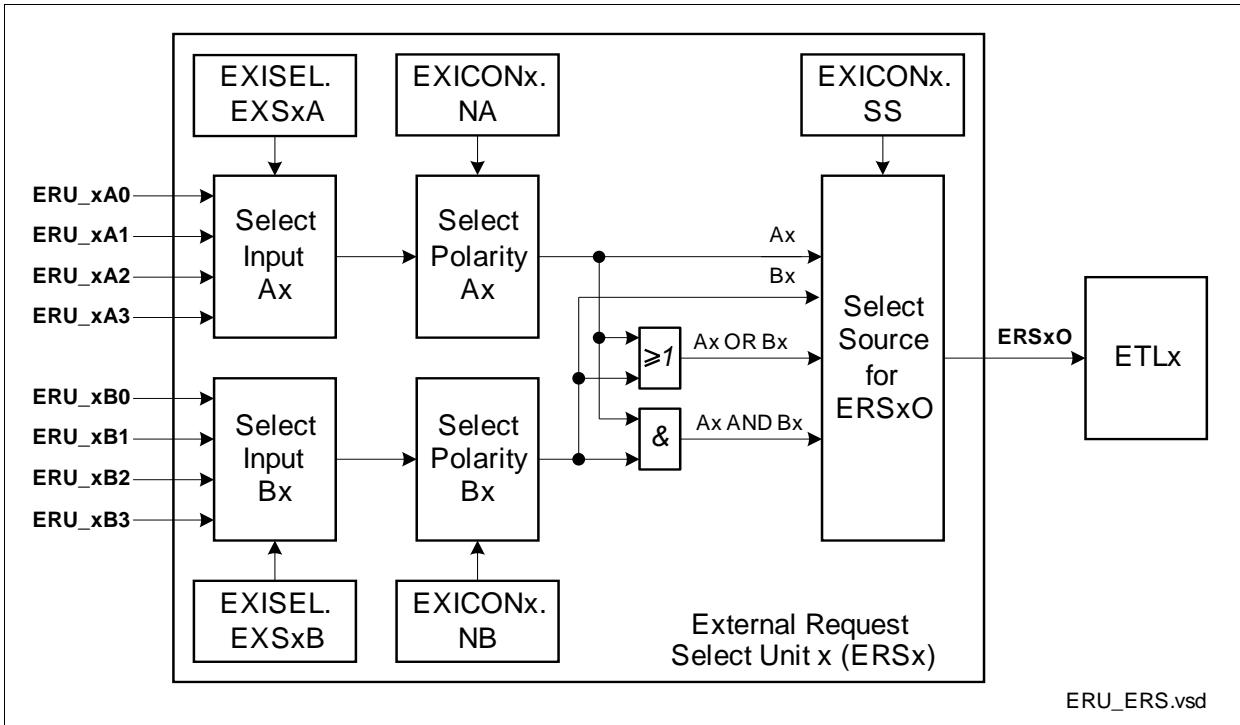
**ERS3 Inputs**

ERU_3A0	P1.3	I	ERS3 input A
ERU_3A1	MultiCAN_ CAN1INS	I	
ERU_3A2	0	I	
ERU_3A3	0	I	
ERU_3B0	U1C0_DX1INS	I	ERS3 input B
ERU_3B1	MultiCAN_ CAN0INS	I	
ERU_3B2	0	I	
ERU_3B3	0	I	

**6.4.3 External Request Select Unit (ERSx; x = 0..3)**

For each Input Channel x, an ERSx unit handles the input selection for the associated ETLx unit. Each ERSx performs a logical combination of two inputs (Ax, Bx) to provide one combined output ERSxO to the associated ETLx. Input Ax can be selected from 4 possibilities of the input vector ERU\_xA[3:0] and can be optionally inverted. A similar structure exists for input Bx (selection from ERU\_xB[3:0]).

In addition to the direct choice of either input Ax or Bx or their inverted values, the possible logical combinations for two selected inputs are a logical AND or a logical OR.



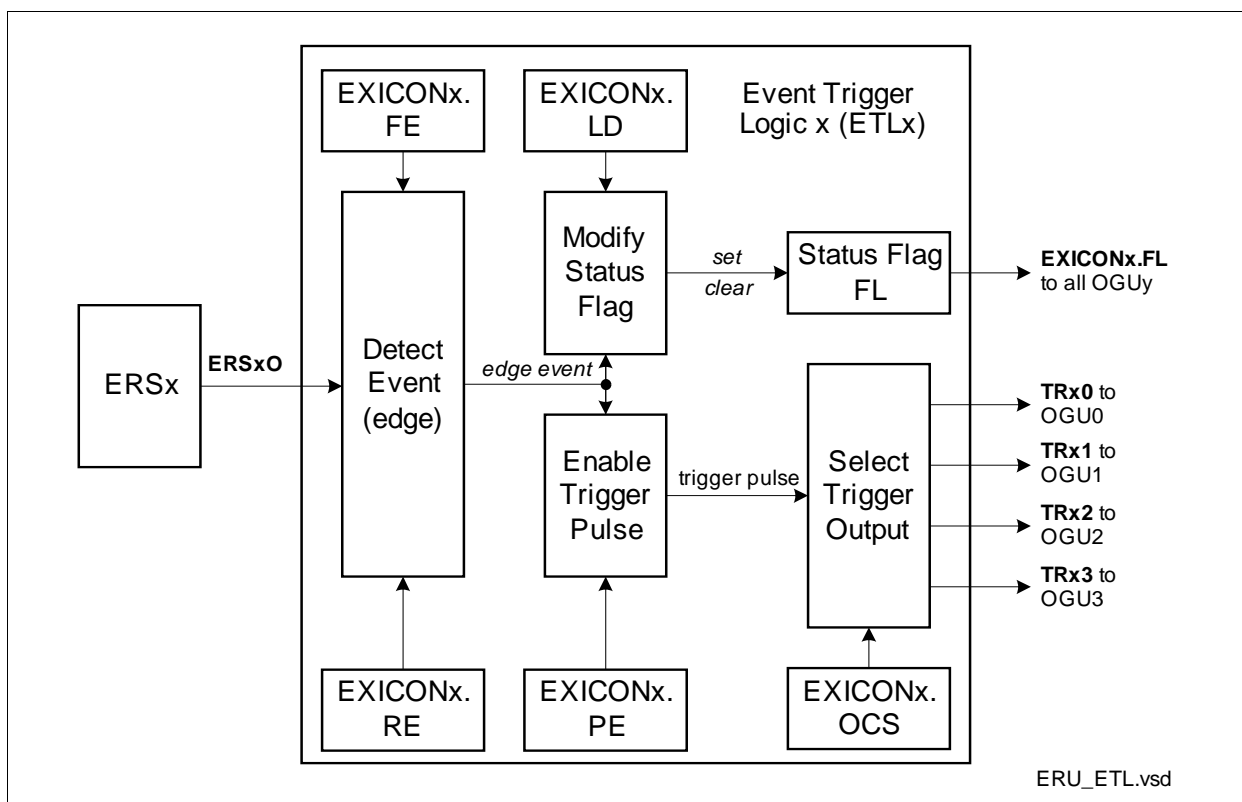
**Figure 6-21 External Request Select Unit Overview**

The ERS units are controlled via register **EXISEL** (one register for all four ERSx units) and registers EXICONx (one register for each ERSx and associated ETLx unit, e.g. **EXICON0** for Input Channel 0).

### 6.4.4 Event Trigger Logic (ETLx; x = 0..3)

For each Input Channel x, an event trigger logic ETLx derives a trigger event and a status from the input ERUxO delivered by the associated ERSx unit. Each ETLx is based on an edge detection block, where the detection of a rising or a falling edge can be individually enabled. Both edges lead to a trigger event if both enable bits are set (e.g. to handle a toggling input).

Each of the four ETLx units has an associated EXICONx register, that controls all options of an ETLx (the register also holds control bits for the associated ERSx unit, e.g. **EXICON0** to control ESR0 and ETL0).



**Figure 6-22 Event Trigger Logic Overview**

When the selected event (edge) is detected, the status flag EXICONx.FL becomes set. This flag can also be modified by software (set or clear). Two different operating modes are supported by this status flag.

It can be used as “sticky” flag, that is set by hardware when the desired event has been detected and has to be cleared by software. In this operating mode, it indicates that the event has taken place, but without indicating the actual status of the input.

In the second operating mode, it is cleared automatically if the “opposite” event is detected. For example, if only the falling edge detection is enabled to set the status flag, it is cleared when the rising edge is detected. In this mode, it can be used for pattern detection where the actual status of the input is important (enabling both edge detections

is not useful in this mode).

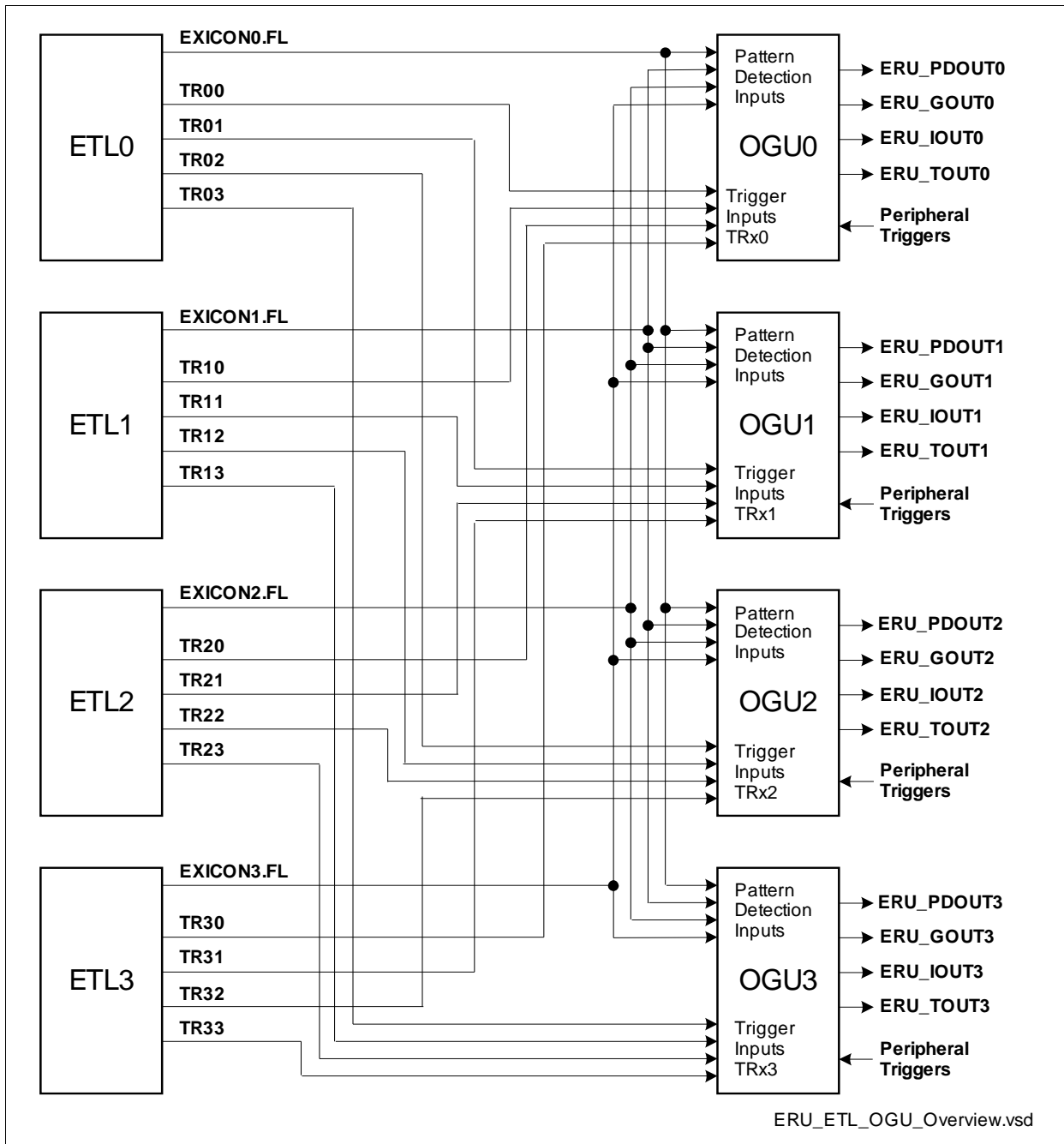
The output of the status flag is connected to all following Output Gating Units (OGUy) in parallel (see [Figure 6-23](#)) to provide **pattern detection capability of all OGUy** units based on different or the same status flags.

In addition to the modification of the status flag, a trigger pulse output TRxy of ETLx can be enabled (by bit EXICONx.PE) and selected to **trigger actions in one of the OGUy** units. The target OGUy for the trigger is selected by bit field EXICON.OCS.

The trigger becomes active when the selected edge event is detected, independently from the status flag EXICONx.FL.

### 6.4.5 Connecting Matrix

The connecting matrix distributes the trigger (TRxy) and status (EXICONx.FL) outputs from the different ETLx units between the OGUy units. In addition, it receives peripheral triggers that can be OR-combined with the ETLx triggers in the OGUy units. **Figure 6-23** provides a complete overview of the connections between the ETLx and the OGUy units.

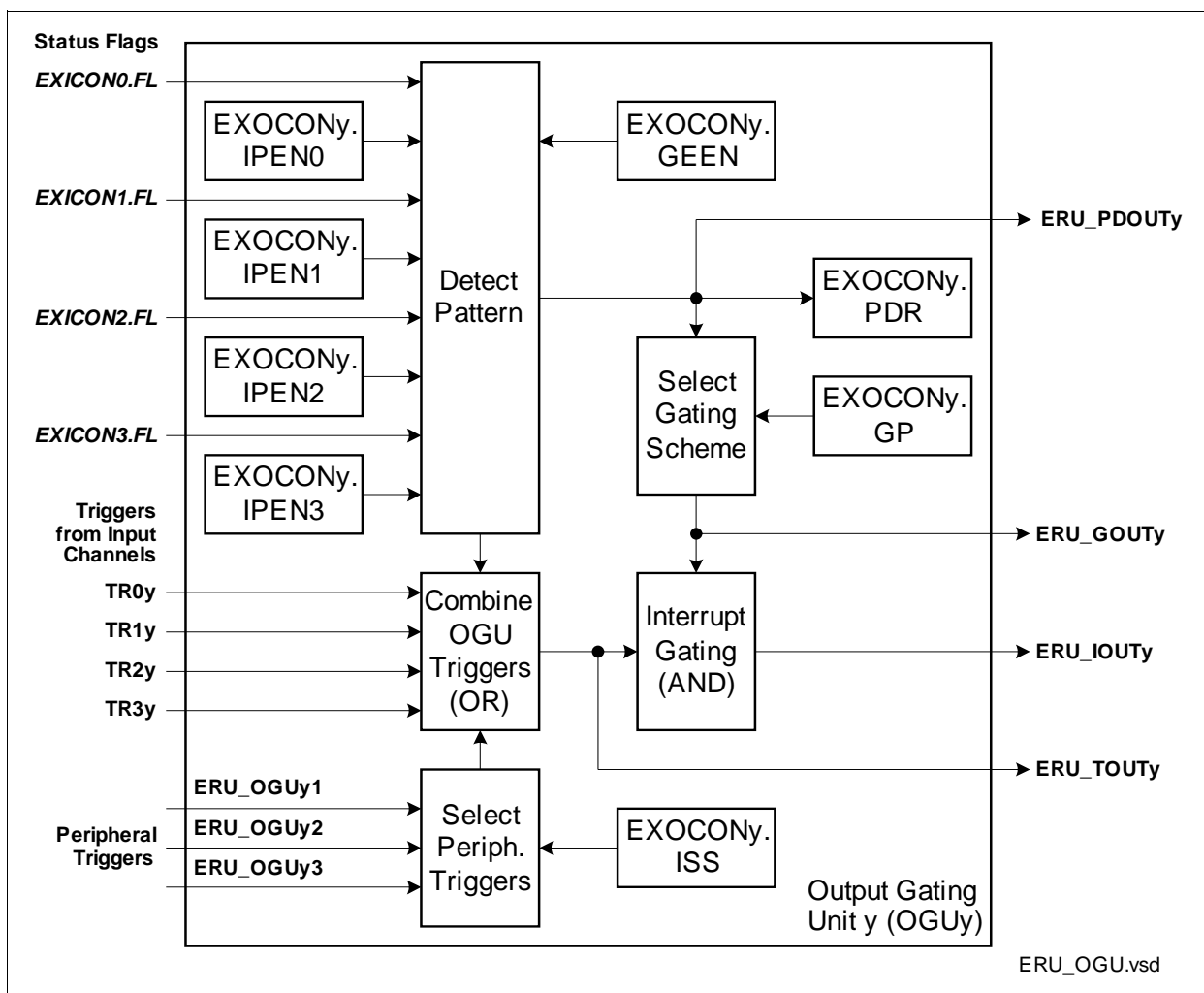


**Figure 6-23** Connecting Matrix between ETLx and OGUy

### 6.4.6 Output Gating Unit (OGUy; y = 0..3)

Each OGUy unit combines the available trigger events and status flags from the Input Channels and distributes the results to the system. **Figure 6-24** illustrates the logic blocks within an OGUy unit. All functions of an OGUy unit are controlled by its associated EXOCONy register, e.g. **EXOCON0** for OGU0. The function of an OGUy unit can be split into two parts:

- **Trigger combination** (see **Section 6.4.6.1**):  
All triggers TRxy from the Input Channels that are enabled and directed to OGUy, a selected peripheral-related trigger event, and a pattern change event (if enabled) are logically OR-combined.
- **Pattern detection** (see **Section 6.4.6.2**):  
The status flags EXICONx.FL of the Input Channels can be enabled to take part in the pattern detection. A pattern match is detected while all enabled status flags are set.



**Figure 6-24 Output Gating Unit for Output Channel y**

Each OGUy units generates 4 outputs that are distributed to the system (not all of them are necessarily used, please refer to [Section 6.4.7](#)):

- **ERU\_PDOUTy** to directly output the pattern match information for gating purposes in other modules (pattern match = 1).
- **ERU\_GOUTy** to output the pattern match or pattern miss information (inverted pattern match), or a permanent 0 or 1 under software control for gating purposes in other modules.
- **ERU\_TOUTy** as combination of a peripheral trigger, a pattern detection result change event, or the ETLx trigger outputs TRxy to trigger actions in other modules.
- **ERU\_IOUTy** as gated trigger output (ERU\_GOUTy logical AND-combined with ERU\_TOUTy) to trigger interrupts (e.g. the interrupt generation can be gated to allow interrupt activation during a certain time window).

### 6.4.6.1 Trigger Combination

The trigger combination logically OR-combines different trigger inputs to form a common trigger ERU\_TOUTy. Possible trigger inputs are:

- In each ETLx unit of the **Input Channels**, the trigger output TRxy can be enabled and the trigger event can be directed to one of the OGUy units.
- One out of three **peripheral triggers** per OGUy can be selected as additional trigger source. These peripheral triggers are generated by on-chip peripheral modules, such as capture/compare or timer units. The selection is done by bit field EXOCONy.ISS.
- In the case that at least one **pattern detection** input is enabled (EXOCONy.IPENx) and a change of the pattern detection result from pattern match to pattern miss (or vice-versa) is detected, a trigger event is generated to indicate a pattern detection result event (if enabled by ECOCONy.GEEN).

The trigger combination offers the possibility to program different trigger criteria for several inputs (independently for each Input Channel) or peripheral triggers, and to combine their effects to a single output, e.g. to generate an interrupt or to start an ADC conversion. This combination capability allows the generation of an interrupt per OGU that can be triggered by several inputs (multitude of request sources -> one reaction).

The following table describes the peripheral trigger connections for the OGUy stages. The selection is defined by the bit fields ISS in registers **EXOCON0** (for OGU0), **EXOCON1** (for OGU1), **EXOCON2** (for OGU2), or **EXOCON3** (for OGU3).



**Table 6-11 OGUy Peripheral Trigger Connections in XC2000**

Input	from/to Module	I/O to OGUy	Can be used to/as
-------	----------------	-------------	-------------------

**OGU0 Inputs**

ERU_ OGU01	CCU60_MCM_ST	I	peripheral triggers for OGU0
ERU_ OGU02	CCU60_T13_PM	I	
ERU_ OGU03	CC2_31	I	

**OGU1 Inputs**

ERU_ OGU11	CCU61_MCM_ST	I	peripheral triggers for OGU1
ERU_ OGU12	CCU61_T13_PM	I	
ERU_ OGU13	CC2_30	I	

**OGU2 Inputs**

ERU_ OGU21	CCU62_MCM_ST	I	peripheral triggers for OGU2
ERU_ OGU22	CCU62_T13_PM	I	
ERU_ OGU23	CC2_29	I	

**OGU3 Inputs**

ERU_ OGU31	CCU63_MCM_ST	I	peripheral triggers for OGU3
ERU_ OGU32	CCU63_T13_PM	I	
ERU_ OGU33	CC2_28	I	

### 6.4.6.2 Pattern Detection

The pattern detection logic allows the combination of the status flags of all ETLx units. Each status flag can be individually included or excluded from the pattern detection for each OGUy, via control bits EXOCONy.IPENx. The pattern detection block outputs the following pattern detection results:

- **Pattern match** (EXOCONy.PDR = 1 and ERU\_PDOUTy = 1):  
A pattern match is indicated while all status flags FL that are included in the pattern detection are 1.
- **Pattern miss** (EXOCONy.PDR = 0 and ERU\_PDOUTy = 0):  
A pattern miss is indicated while at least one of the status flags FL that are included in the pattern detection is 0.

In addition, the pattern detection can deliver a trigger event if the pattern detection result changes from match to miss or vice-versa (if enabled by EXOCONy.GEEN = 1). The pattern result change event is logically OR-combined with the other enabled trigger events to support interrupt generation or to trigger other module functions (e.g. in the ADC). The event is indicated when the pattern detection result changes and EXOCONy.PDR becomes updated.

The interrupt generation in the OGUy is based on the trigger ERU\_TOUTy that can be gated (masked) with the pattern detection result ERU\_PDOUTy. This allows an automatic and reproducible generation of interrupts during a certain time window, where the request event is elaborated by the trigger combination block and the time window information (gating) is given by the pattern detection. For example, interrupts can be issued on a regular time base (peripheral trigger input from capture/compare unit is selected) while a combination of inputs occurs (pattern detection based on ETLx status bits).

A programmable gating scheme introduces flexibility to adapt to application requirements and allows the generation of interrupt requests ERU\_IOUTy under different conditions:

- **Pattern match** (EXOCONy.GP = 10<sub>B</sub>):  
An interrupt request is issued when a trigger event occurs while the pattern detection shows a pattern match.
- **Pattern miss** (EXOCONy.GP = 11<sub>B</sub>):  
An interrupt request is issued when the trigger event occurs while the pattern detection shows a pattern miss.
- **Independent** of pattern detection (EXOCONy.GP = 01<sub>B</sub>):  
In this mode, each occurring trigger event leads to an interrupt request. The pattern detection output can be used independently from the trigger combination for gating purposes of other peripherals (independent use of ERU\_TOUTy and ERU\_PDOUTy with interrupt requests on trigger events).
- **No interrupts** (EXOCONy.GP = 00<sub>B</sub>, default setting)  
In this mode, an occurring trigger event does not lead to an interrupt request. The

pattern detection output can be used independently from the trigger combination for gating purposes of other peripherals (independent use of ERU\_TOUTy and ERU\_PDOUTy without interrupt requests on trigger events).

### 6.4.7 ERU Output Connections

This section describes the connections of the ERU outputs for gating or triggering other module functions, as well as the connections to the interrupt control registers.

**Table 6-12 ERU Output Connections in XC2000**

<b>Output</b>	<b>from/to Module</b>	<b>I/O to OGUy</b>	<b>Can be used to/as</b>
---------------	-----------------------	--------------------	--------------------------

#### OGU0 Outputs

ERU_PDOUT0	not connected	O	pattern detection output
ERU_GOUT0	ADC0 (REQGT0A) ADC0 (REQGT1A) ADC0 (REQGT2A) ADC1 (REQGT0A) ADC1 (REQGT1A) ADC1 (REQGT2A)	O	gated pattern detection output
ERU_TOUT0	not connected	O	trigger output
ERU_IOUT0	ITC (CC2CC16IC)	O	interrupt output

#### OGU1 Outputs

ERU_PDOUT1	not connected	O	pattern detection output
ERU_GOUT1	ADC0 (REQGT0B) ADC0 (REQGT1B) ADC0 (REQGT1B) ADC1 (REQGT0B) ADC1 (REQGT1B) ADC1 (REQGT1B)	O	gated pattern detection output

**Table 6-12 ERU Output Connections in XC2000 (cont'd)**

Output	from/to Module	I/O to OGUy	Can be used to/as
ERU_TOUT1	ADC0 (REQTR0A) ADC0 (REQTR1A) ADC0 (REQTR2A) ADC1 (REQTR0A) ADC1 (REQTR1A) ADC1 (REQTR2A)	O	trigger output
ERU_IOUT1	ITC (CC2CC17IC)	O	interrupt output

**OGU2 Outputs**

ERU_PDOUT2	not connected	O	pattern detection output
ERU_GOUT2	not connected	O	gated pattern detection output
ERU_TOUT2	not connected	O	trigger output
ERU_IOUT2	ITC (CC2CC18IC)	O	interrupt output

**OGU3 Outputs**

ERU_PDOUT3	not connected	O	pattern detection output
ERU_GOUT3	not connected	O	gated pattern detection output
ERU_TOUT3	not connected	O	trigger output
ERU_IOUT3	ITC (CC2CC19IC)	O	interrupt output

## 6.4.8 ERU Registers

### 6.4.8.1 External Input Selection Register EXISEL

This register selects the A and B inputs for all four ERS units. The possible inputs are given in [Table 6-10](#).

#### EXISEL

External Input Select Register ESFR (F1A0<sub>H</sub>/D0<sub>H</sub>)

Reset Value: 0000<sub>H</sub>

15	14	13	12	11	10	9	8	7	6	5	4	3	2	1	0
<b>EXS3B</b>		<b>EXS3A</b>		<b>EXS2B</b>		<b>EXS2A</b>		<b>EXS1B</b>		<b>EXS1A</b>		<b>EXS0B</b>		<b>EXS0A</b>	
rw		rw		rw		rw		rw		rw		rw		rw	

Field	Bits	Type	Description
<b>EXS0A</b>	[1:0]	rw	<b>External Source Select for A0 (ERS0)</b> This bit field defines which input is selected for A0. 00 <sub>B</sub> Input ERU_0A0 is selected 01 <sub>B</sub> Input ERU_0A1 is selected 10 <sub>B</sub> Input ERU_0A2 is selected 11 <sub>B</sub> Input ERU_0A3 is selected
<b>EXS0B</b>	[3:2]	rw	<b>External Source Select for B0 (ERS0)</b> This bit field defines which input is selected for B0. 00 <sub>B</sub> Input ERU_0B0 is selected 01 <sub>B</sub> Input ERU_0B1 is selected 10 <sub>B</sub> Input ERU_0B2 is selected 11 <sub>B</sub> Input ERU_0B3 is selected
<b>EXS1A</b>	[5:4]	rw	<b>External Source Select for A1 (ERS1)</b> This bit field defines which input is selected for A1. 00 <sub>B</sub> Input ERU_1A0 is selected 01 <sub>B</sub> Input ERU_1A1 is selected 10 <sub>B</sub> Input ERU_1A2 is selected 11 <sub>B</sub> Input ERU_1A3 is selected
<b>EXS1B</b>	[7:6]	rw	<b>External Source Select for B1 (ERS1)</b> This bit field defines which input is selected for B1. 00 <sub>B</sub> Input ERU_1B0 is selected 01 <sub>B</sub> Input ERU_1B1 is selected 10 <sub>B</sub> Input ERU_1B2 is selected 11 <sub>B</sub> Input ERU_1B3 is selected

Field	Bits	Type	Description
<b>EXS2A</b>	[9:8]	rw	<b>External Source Select for A2 (ERS2)</b> This bit field defines which input is selected for A2. 00 <sub>B</sub> Input ERU_2A0 is selected 01 <sub>B</sub> Input ERU_2A1 is selected 10 <sub>B</sub> Input ERU_2A2 is selected 11 <sub>B</sub> Input ERU_2A3 is selected
<b>EXS2B</b>	[11:10]	rw	<b>External Source Select for B2 (ERS2)</b> This bit field defines which input is selected for B2. 00 <sub>B</sub> Input ERU_2B0 is selected 01 <sub>B</sub> Input ERU_2B1 is selected 10 <sub>B</sub> Input ERU_2B2 is selected 11 <sub>B</sub> Input ERU_2B3 is selected
<b>EXS3A</b>	[13:12]	rw	<b>External Source Select for A3 (ERS3)</b> This bit field defines which input is selected for A3. 00 <sub>B</sub> Input ERU_3A0 is selected 01 <sub>B</sub> Input ERU_3A1 is selected 10 <sub>B</sub> Input ERU_3A2 is selected 11 <sub>B</sub> Input ERU_3A3 is selected
<b>EXS3B</b>	[15:14]	rw	<b>External Source Select for B3 (ERS3)</b> This bit field defines which input is selected for B3. 00 <sub>B</sub> Input ERU_3B0 is selected 01 <sub>B</sub> Input ERU_3B1 is selected 10 <sub>B</sub> Input ERU_3B2 is selected 11 <sub>B</sub> Input ERU_3B3 is selected

### 6.4.8.2 External Input Control Registers EXICONx

These registers control the inputs of the ERSx unit and the trigger functions of the ETLx units (x = 0..3).

#### EXICON0

External Input Control 0 Register

ESFR (F030<sub>H</sub>/18<sub>H</sub>)

Reset Value: 0000<sub>H</sub>

#### EXICON1

External Input Control 1 Register

ESFR (F032<sub>H</sub>/19<sub>H</sub>)

Reset Value: 0000<sub>H</sub>

#### EXICON2

External Input Control 2 Register

ESFR (F034<sub>H</sub>/1A<sub>H</sub>)

Reset Value: 0000<sub>H</sub>

#### EXICON3

External Input Control 3 Register

ESFR (F036<sub>H</sub>/1C<sub>H</sub>)

Reset Value: 0000<sub>H</sub>

15	14	13	12	11	10	9	8	7	6	5	4	3	2	1	0
	0			NB	NA	SS	FL		OCS		FE	RE	LD	PE	
	r			rw	rw	rw	rwh		rw		rw	rw	rw	rw	

Field	Bits	Type	Description
<b>PE</b>	0	rw	<p><b>Output Trigger Pulse Enable for ETLx</b>            This bit enables the generation of an output trigger pulse at TRxy when the selected edge is detected (set condition for the status flag FL).</p> <p>0<sub>B</sub>    The trigger pulse generation is disabled            1<sub>B</sub>    The trigger pulse generation is enabled</p>

Field	Bits	Type	Description
LD	1	rw	<p><b>Rebuild Level Detection for Status Flag for ETLx</b> This bit selects if the status flag FL is used as “sticky” bit or if it rebuilds the result of a level detection.</p> <p>0<sub>B</sub> The status flag FL is not cleared by hardware and is used as “sticky” bit. Once set, it is not influenced by any edge until it becomes cleared by software.</p> <p>1<sub>B</sub> The status flag FL rebuilds a level detection of the desired event. It becomes automatically set with a rising edge if RE = 1 or with a falling edge if FE = 1. It becomes automatically cleared with a rising edge if RE = 0 or with a falling edge if FE = 0.</p>
RE	2	rw	<p><b>Rising Edge Detection Enable ETLx</b> This bit enables/disables the rising edge event as edge event as set condition for the status flag FL or as possible trigger pulse for TRxy.</p> <p>0<sub>B</sub> A rising edge is not considered as edge event</p> <p>1<sub>B</sub> A rising edge is considered as edge event</p>
FE	3	rw	<p><b>Falling Edge Detection Enable ETLx</b> This bit enables/disables the falling edge event as edge event as set condition for the status flag FL or as possible trigger pulse for TRxy.</p> <p>0<sub>B</sub> A falling edge is not considered as edge event</p> <p>1<sub>B</sub> A falling edge is considered as edge event</p>
OCS	[6:4]	rw	<p><b>Output Channel Select for ETLx Output Trigger Pulse</b> This bit field defines which Output Channel OGUy is targeted by an enabled trigger pulse TRxy.</p> <p>000<sub>B</sub> Trigger pulses are sent to OGU0</p> <p>001<sub>B</sub> Trigger pulses are sent to OGU1</p> <p>010<sub>B</sub> Trigger pulses are sent to OGU2</p> <p>011<sub>B</sub> Trigger pulses are sent to OGU3</p> <p>1XX<sub>B</sub> Reserved, do not use this combination</p>
FL	7	rwh	<p><b>Status Flag for ETLx</b> This bit represents the status flag that becomes set or cleared by the edge detection.</p> <p>0<sub>B</sub> The enabled edge event has not been detected</p> <p>1<sub>B</sub> The enabled edge event has been detected</p>



Field	Bits	Type	Description
<b>SS</b>	[9:8]	rw	<b>Input Source Select for ERSx</b> This bit field defines which logical combination is taken into account as ESRxO. 00 <sub>B</sub> Input A without additional combination 01 <sub>B</sub> Input B without additional combination 10 <sub>B</sub> Input A OR input B 11 <sub>B</sub> Input A AND input B
<b>NA</b>	10	rw	<b>Input A Negation Select for ERSx</b> This bit selects the polarity for the input A. 0 <sub>B</sub> Input A is used directly 1 <sub>B</sub> Input A is inverted
<b>NB</b>	11	rw	<b>Input B Negation Select for ERSx</b> This bit selects the polarity for the input B. 0 <sub>B</sub> Input B is used directly 1 <sub>B</sub> Input B is inverted
<b>0</b>	[15:12]	r	<b>Reserved</b> Read as 0; should be written with 0.

### 6.4.8.3 Output Control Registers EXOCONy

These registers control the outputs of the Output Gating Unit y (y = 0..3).

#### EXOCON0

External Output Trigger Control 0 Register

SFR (FE30<sub>H</sub>/18<sub>H</sub>)

Reset Value: 0000<sub>H</sub>

#### EXOCON1

External Output Trigger Control 1 Register

SFR (FE32<sub>H</sub>/19<sub>H</sub>)

Reset Value: 0000<sub>H</sub>

#### EXOCON2

External Output Trigger Control 2 Register

SFR (FE34<sub>H</sub>/1A<sub>H</sub>)

Reset Value: 0000<sub>H</sub>

#### EXOCON3

External Output Trigger Control 3 Register

SFR (FE36<sub>H</sub>/1C<sub>H</sub>)

Reset Value: 0000<sub>H</sub>

	15	14	13	12	11	10	9	8	7	6	5	4	3	2	1	0
	<b>IPEN</b>	<b>IPEN</b>	<b>IPEN</b>	<b>IPEN</b>	<b>0</b>				<b>GP</b>		<b>PDR</b>	<b>GE</b>	<b>EN</b>	<b>ISS</b>		
	<b>3</b>	<b>2</b>	<b>1</b>	<b>0</b>												
	rw	rw	rw	rw	r				rw		rh	rw	rw			

Field	Bits	Type	Description
<b>ISS</b>	[1:0]	rw	<p><b>Internal Trigger Source Selection</b> This bit field defines which input is selected as peripheral trigger input for OGUy. The possible inputs are given in <a href="#">Table 6-11</a>.</p> <p>00<sub>B</sub> The peripheral trigger function is disabled            01<sub>B</sub> Input ERU_OGUy1 is selected            10<sub>B</sub> Input ERU_OGUy2 is selected            11<sub>B</sub> Input ERU_OGUy3 is selected</p>
<b>GEEN</b>	2	rw	<p><b>Gating Event Enable</b> Bit GEEN enables the generation of a trigger event when the result of the pattern detection changes from match to miss or vice-versa.</p> <p>0<sub>B</sub> The event detection is disabled            1<sub>B</sub> The event detection is enabled</p>
<b>PDR</b>	3	rh	<p><b>Pattern Detection Result Flag</b> This bit represents the pattern detection result.</p> <p>0<sub>B</sub> A pattern miss is detected            1<sub>B</sub> A pattern match is detected</p>

Field	Bits	Type	Description
<b>GP</b>	[5:4]	rw	<p><b>Gating Selection for Pattern Detection Result</b> This bit field defines the gating scheme for the interrupt generation (relation between the OGU output ERU_PDOUTy and ERU_GOUTy).</p> <p>00<sub>B</sub> ERU_GOUTy is always disabled and ERU_IOUTy can not be activated</p> <p>01<sub>B</sub> ERU_GOUTy is always enabled and ERU_IOUTy becomes activated with each activation of ERU_TOUTy</p> <p>10<sub>B</sub> ERU_GOUTy is equal to ERU_PDOUTy and ERU_IOUTy becomes activated with an activation of ERU_TOUTy while the desired pattern is detected (pattern match PDR = 1)</p> <p>11<sub>B</sub> ERU_GOUTy is inverted to ERU_PDOUTy and ERU_IOUTy becomes activated with an activation of ERU_TOUTy while the desired pattern is not detected (pattern miss PDR = 0)</p>
<b>IPENx (x = 0-3)</b>	12+x	rw	<p><b>Pattern Detection Enable for ETLx Input</b> Bit IPENx defines whether the trigger event status flag EXICONx.FL of ETLx takes part in the pattern detection of OGUy.</p> <p>0<sub>B</sub> Flag EXICONx.FL is excluded from the pattern detection</p> <p>1<sub>B</sub> Flag EXICONx.FL is included in the pattern detection</p>
<b>0</b>	[11:6]	r	<p><b>Reserved</b> Read as 0; should be written with 0.</p>

## 6.5 Power Supply and Control

The XC2000 can run from a single external power supply. The core supply voltages can be generated by on-chip Embedded Voltage Regulators (EVRs) or can be fed in from an external Voltage Regulator (VR). To significantly reduce the consumed leakage current special power states directly considered for power saving are implemented. The major part of the on-chip logic is located in an independent core power domain (DMP\_1), marked green and white in [Figure 6-25](#). A second, smaller power domain (DMP\_M), marked grey, controls wake-up mechanism and other important device infrastructure plus a Standby RAM (SB\_RAM). Additionally the I/O part is divided in two parts DMP\_IO\_0 and DMP\_IO\_1. DMP\_IO\_0 contains all ADC related I/Os and DMP\_IO\_1 the remaining system and communication I/Os. The DMP\_M and/or DMP\_1 can be either switched off, i.e. disconnected from power by disabling the respective EVR1 or lowered to 1.0 V.

The power supply and control is divided into two parts:

- monitoring of the supply level
- controlling and adjusting the supply level

The supply voltage of power domain DMP\_IO\_0 is monitored by a Supply WatchDog (SWD, see [Chapter 6.5.1](#)).

The core voltage for each of the two core supply domains is supervised by a separate Power Validation Circuit (PVC) that provides two monitoring levels. Each monitoring level can request an interrupt (e.g. power-fail warning) or a reset in case of an invalid voltage level. Device damage caused by power problems such as overcurrent due to an external short-cut must be avoided. The PVCs are used to indicate such problems, so together with some time-limit, the system can be protected from being damaged (see [Chapter 6.5.2](#)).

By controlling the regulator, a core power domain can be switched off to save the leakage current within this area (see [Chapter 6.5.3.1](#)).

**Table 6-13 XC2000 Power Domains**

Power Domain	Supply Source	Supply Voltage [V]	Supply Checked by
Pad IO domain (DMP_IO_0)	External supply	see the data sheet	SWD
ADC IO domain (DMP_IO_1)	External supply	see the data sheet	-
Wake-up domain (DMP_M)	EVR_M	see the data sheet	PVC_M
System domain (DMP_1)	EVR_1	see the data sheet	PVC_1

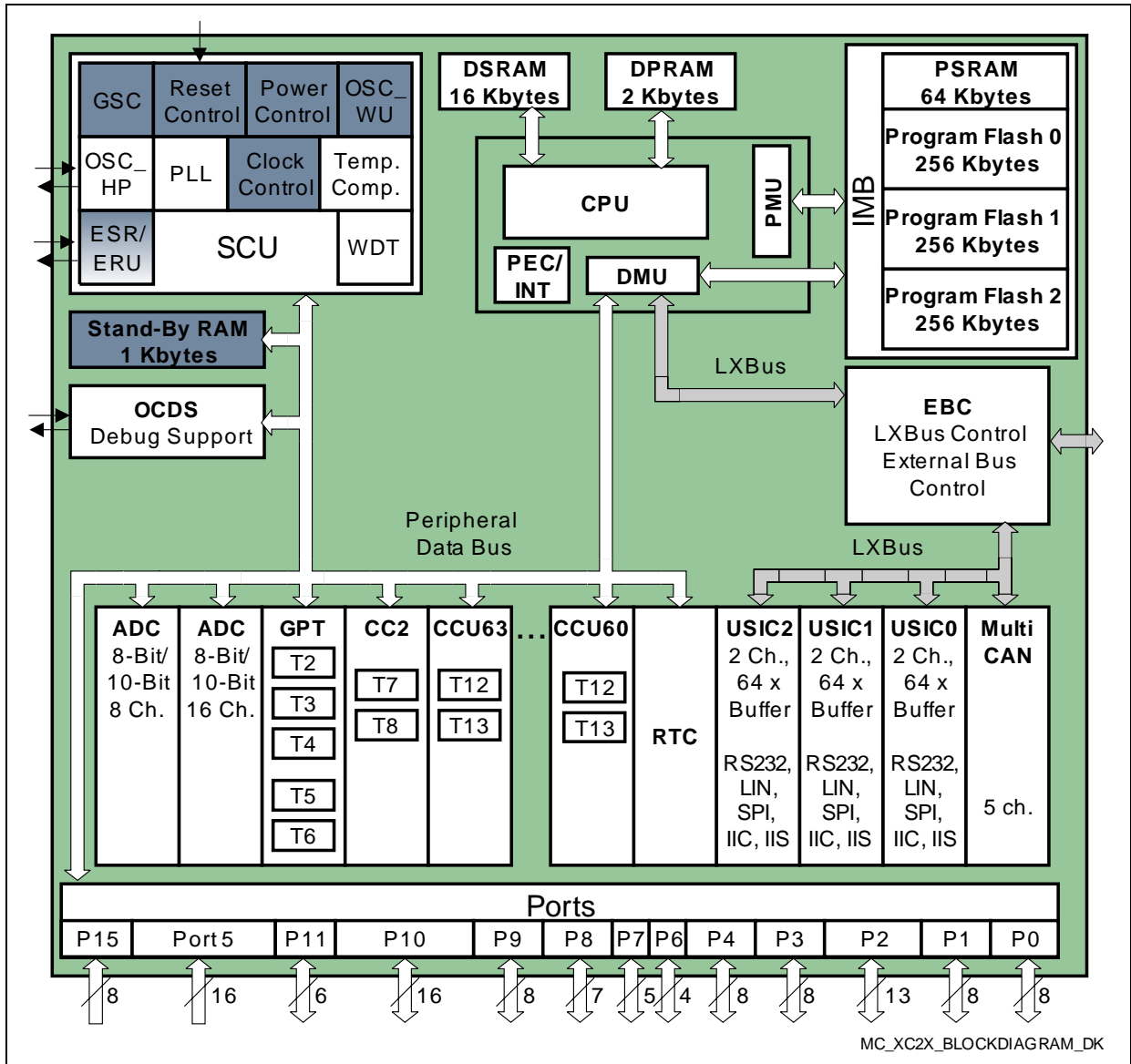


Figure 6-25 XC2000 Power Domain Structure

### 6.5.1 Supply Watchdog (SWD)

The supply voltage of IO domain DMP\_IO\_0 is monitored to validate the overall power supply. The external supply voltage is monitored for three purposes:

- Detecting the ramp-up of the external supply voltage, so the device can be started without requiring an external power-on reset (PORST).
- Detecting the ramp-down of the external supply voltage, so the device can be brought into a save state without requiring an external power-on reset (PORST).
- Monitoring the external power supply allows the usage of a a low-cost regulator without additional status inputs (standard 3-pin device).

### Feature list

The following list is a summary of the SWD functions.

- Power-on reset, if supply is below  $V_{VAL}$
- Two completely independent threshold levels and comparators
- 16 selectable threshold levels
- Power Saving Mode (only  $V_{VAL}$  detection active)
- Spike filter for  $V_{DD}$  noise suppression

### Operating the SWD

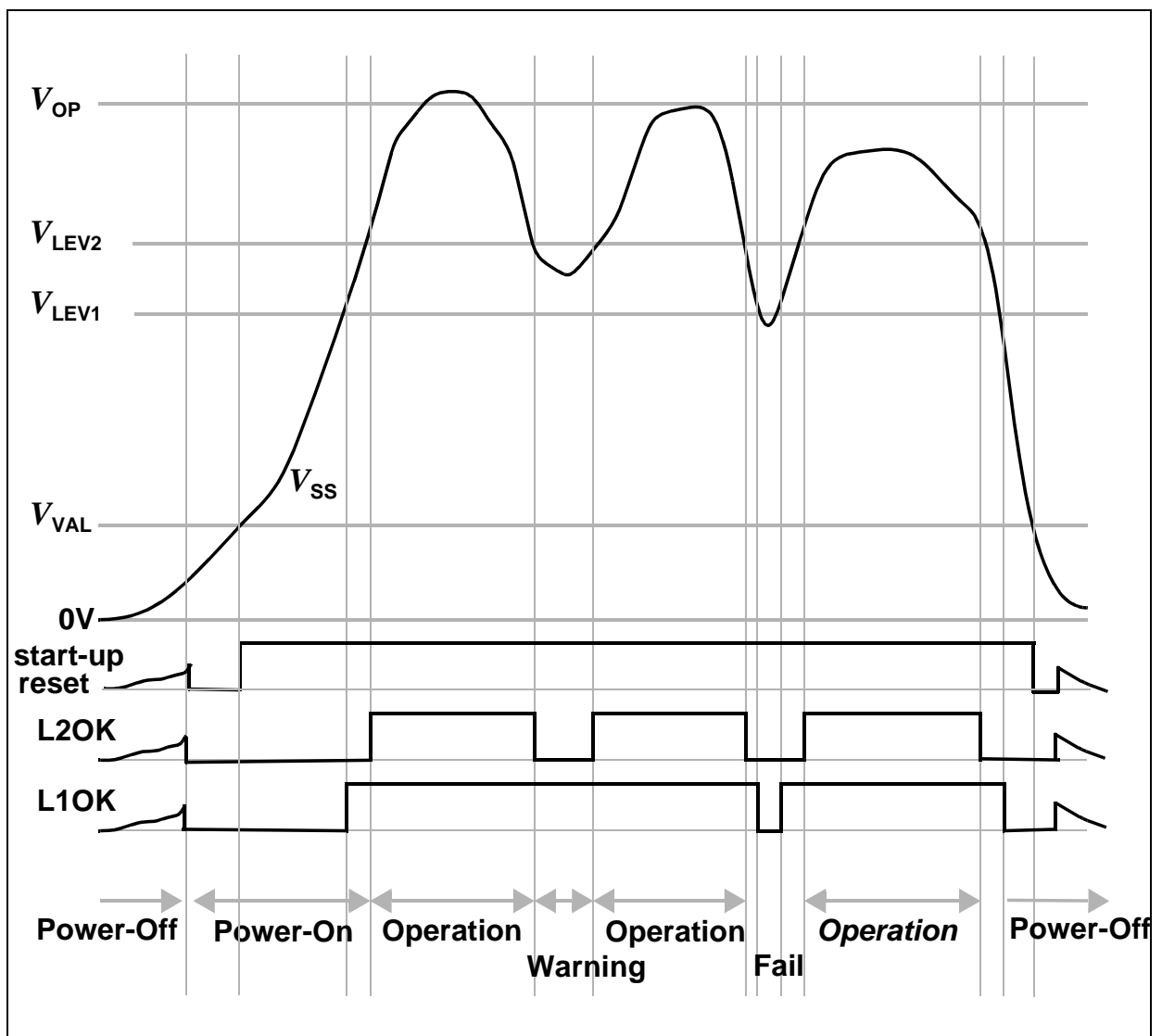


Figure 6-26 SWD Power Validation Example

Preliminary

System Control Unit (SCU)

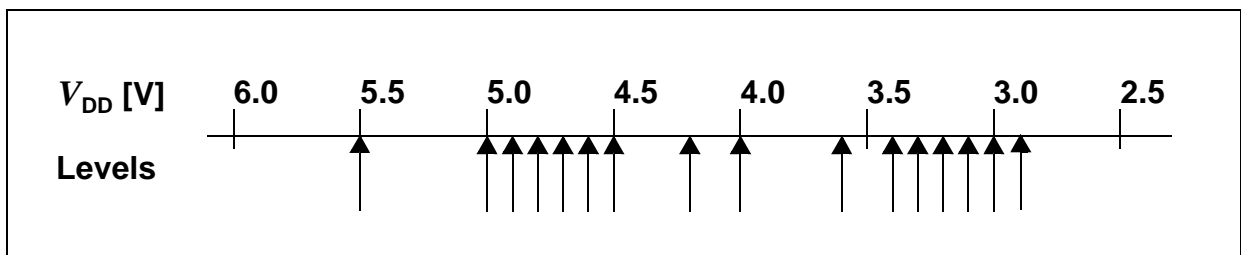
The lower fix threshold  $V_{VAL}$  defines the absolute minimum operation voltage for the IO domain. If  $V_{VAL}$  has not been reached the device is held in reset via the start-up reset. When  $V_{DDP}$  becomes greater as  $V_{VAL}$  bit **SWDCON1.PON** is cleared.

*Note: The physical value for  $V_{VAL}$  can found in the XC2000 data sheet.*

The SWD provides two adjustable threshold levels (LEV1 and LEV2) that can be individually programmed, via **SWDCON0.LEV1V** and **SWDCON0.LEV2V**, and deliver a compare value each. The two compare results can be monitored via bits **SWDCON0.L1OK** and **SWDCON0.L2OK**. A reset or interrupt request can be generated while the voltage level is below or equal/above the configured level of a threshold. If an action and which action is triggered by each threshold can be configured via bit field **SWDCON0.LxAON** and **SWDCON0.LxALEV** ( $x = 1,2$ ).

*Note: Both threshold compare levels should not be used as reset level at the same time.*

Due to the wide operating range, the selectable threshold levels are distributed non-linear to match application requirements with design constraints.



**Figure 6-27 Threshold Levels for Supply Voltage Supervision by SWD**

The SWD control (programming of the threshold levels) is done by software only.

With these features, an external supply watchdog, e.g. integrated in some external VR, can be replaced. It detects the minimum specified supply voltage level and can be configured to monitor other voltage levels.

*Note: If the  $\overline{PORST}$  pin is used it has the same functionality as the SWD.*

**Power-Saving Mode of the SWD**

The two configurable thresholds which its different functions can be disabled if not needed. This is called the SWD Power Saving Mode. Please note that the minimum operating voltage detection can never be disabled and it is always active. The SWD Power Saving Mode is entered by setting bit **SWDCON1.POWENSET** and left by setting bit **SWDCON1.POWENCLR**. If the SWD Power Saving Mode is active or not can be monitored via bit **SWDCON1.POWEN**.

### 6.5.1.1 SWD Control Registers

The following registers are the software interface for the SWD.

#### SWDCON0

**SWD Control 0 Register**

**ESFR (F080<sub>H</sub>/40<sub>H</sub>)**

**Reset Value: 0941<sub>H</sub>**

15	14	13	12	11	10	9	8	7	6	5	4	3	2	1	0
<b>L2A LEV</b>	<b>L2ACON</b>	<b>L2 OK</b>	<b>LEV2V</b>				<b>L1A LEV</b>	<b>L1ACON</b>	<b>L1 OK</b>	<b>LEV1V</b>					
rw	rw	rh	rw				rw	rw	rh	rw					

Field	Bits	Type	Description
<b>LEV1V</b>	[3:0]	rw	<b>Level Threshold 1 Voltage</b> This bit field defines the voltage level that is used as threshold 1 check level. The values of the level thresholds are listed in the data sheet.
<b>L1OK</b>	4	rh	<b>Level Threshold 1 Check Ok Status</b> 0 <sub>B</sub> The supply voltage is below level threshold 1 1 <sub>B</sub> The supply voltage is equal or higher than level threshold 1
<b>L1ACON</b>	[6:5]	rw	<b>Level Threshold 1 Action Control</b> This bit field defines which action is requested if the condition is violated (voltage is below the defined level threshold 1). 00 <sub>B</sub> No action is requested 01 <sub>B</sub> An interrupt is requested 10 <sub>B</sub> A reset request is generated 11 <sub>B</sub> A reset and interrupt request is generated
<b>L1ALEV</b>	7	rw	<b>Level threshold 1 Action Level</b> 0 <sub>B</sub> The action configured by bit field L1ACON is requested when the voltage is below LEV1V. Otherwise no action is requested. 1 <sub>B</sub> The action configured by bit field L1ACON is requested when the voltage is equal or above LEV1V. Otherwise no action is requested.





Field	Bits	Type	Description
<b>POWENCLR</b>	0	w	<b>SWD Power Saving Mode Enable Clear</b> 0 <sub>B</sub> Clearing this bit has no effect 1 <sub>B</sub> Setting this bit clears bit POWEN Reading this bit returns always zero.
<b>POWENSET</b>	1	w	<b>SWD Power Saving Mode Enable Set</b> 0 <sub>B</sub> Clearing this bit has no effect 1 <sub>B</sub> Setting this bit set bit POWEN Reading this bit returns always zero.
<b>POWEN</b>	2	rh	<b>SWD Power Saving Mode Enable</b> 0 <sub>B</sub> The SWD Power Saving Mode is disabled 1 <sub>B</sub> The SWD Power Saving Mode is enabled
<b>PON</b>	3	rh	<b>Power-On Status Flag</b> 0 <sub>B</sub> No power-on event occurred 1 <sub>B</sub> A power-on event occurred
<b>CLRPN</b>	4	w	<b>Clear Power-On Status Flag</b> 0 <sub>B</sub> Bit PON is not changed 1 <sub>B</sub> Bit PON is cleared
<b>0</b>	[15:5]	r	<b>Reserved</b> Read as 0; should be written with 0.

## 6.5.2 Monitoring the Voltage Level of a Core Domain

The voltage of core domain DMP\_M is monitored by the PVC\_M. The core domain DMP\_M is marked in grey within [Figure 6-25](#).

The voltage of core domain DMP\_1 is monitored by the PVC\_1. The core domain DMP\_1 is marked in green and white within [Figure 6-25](#).

A Power Validation Circuit (PVC) monitors the internal core supply voltage of a core domain. It can be configured to monitor two programmable independent voltage levels.

### Feature list

The following list summarizes the features of a PVC.

- Two completely independent comparators
- Voltage levels selectable
- Shut-off, which disables the complete module
- Configurable level action selection

The PVC provides two adjustable threshold levels (LEV1 and LEV2) that can be individually programmed, via PCVxCON0.LEV1V and PVCxCON0.LEV2V (x = M or 1), and deliver a compare value each. The two compare results can be monitored via bits PVCxCON0.L1OK and PVCxCON0.L2OK (x = M or 1). A reset or interrupt request can be generated while the voltage level is below or equal / above the configured level of a threshold. An interrupt is requested if bit PVCxCON0.L1INTEN and / or PVCxCON0.L2INTEN (x = M or 1) is set. A reset is requested if bit PVCxCON0.L1RSTEN and / or PVCxCON0.L2RSTEN (x = M or 1) is set. Additionally a threshold can be used to generate an asynchronous trigger for the PSC (see [Chapter 6.5.2](#)). An asynchronous trigger is generated if bit PVCxCON0.L1ASEN and / or PVCxCON0.L2ASEN (x = M or 1) is set

*Note: Both compare level should not be used as reset level at the same time.*

*Note: For a single threshold both interrupt and reset request generation should not be enabled at the same time.*

### 6.5.2.1 PVC Status and Control Registers

These registers are the software interface for the PVCs.

#### PVCMCON0

#### PVC\_M Control Step 0 Register

ESFR (F1E4<sub>H</sub>)

Reset Value: 0544<sub>H</sub>

15	14	13	12	11	10	9	8	7	6	5	4	3	2	1	0
<b>L2A SEN</b>	<b>L2R STE N</b>	<b>L2IN TEN</b>	<b>L2A LEV</b>	<b>LEV 2OK</b>	<b>LEV2V</b>			<b>L1A SEN</b>	<b>L1R STE N</b>	<b>L1IN TEN</b>	<b>L1A LEV</b>	<b>LEV 1OK</b>	<b>LEV1V</b>		
rwh	rwh	rwh	rwh	rh	rwh			rwh	rwh	rwh	rwh	rh	rwh		

Field	Bits	Type	Description
<b>LEV1V</b>	[2:0]	rwh	<p><b>Level Threshold 1 Voltage Configuration</b> This bit field defines the level of threshold 1 that is compared with the DMP_M core voltage. The values for the different configurations are listed in the data sheet.</p>
<b>LEV1OK</b>	3	rh	<p><b>Level Threshold 1 Check Result</b>            0<sub>B</sub> The core voltage of the DMP_M is below the configured level of threshold 1            1<sub>B</sub> The core voltage of the DMP_M is equal or above the configured level of threshold 1</p>
<b>L1ALEV</b>	4	rwh	<p><b>Level Threshold 1 Action Level</b>            0<sub>B</sub> The action configured by bits L1INTEN, L1RSTEN, and L1ASEN are requested when the core voltage is below LEV1V. Otherwise no action is requested.            1<sub>B</sub> The actions configured by bits L1INTEN, L1RSTEN, and L1ASEN are requested when the core voltage is equal or above LEV1V. Otherwise no action is requested.</p>
<b>L1INTEN</b>	5	rwh	<p><b>Level Threshold 1 Interrupt Request Enable</b> This bit defines if an interrupt request trigger is requested if the comparison check was successful. When a check is successful is defined via bit L1ALEV.            0<sub>B</sub> No interrupt is requested            1<sub>B</sub> An interrupt is requested</p>

Field	Bits	Type	Description
<b>L1RSTEN</b>	6	rwh	<p><b>Level Threshold 1 Reset Request Enable</b> This bit defines if a reset request trigger is requested if the comparison check was successful. When a check is successful is defined via bit L1ALEV.</p> <p>0<sub>B</sub> No reset is requested 1<sub>B</sub> An reset is requested</p>
<b>L1ASEN</b>	7	rwh	<p><b>Level Threshold 1 Asynchronous Action Enable</b> This bit defines if asynchronous action can be performed if the comparison check was successful. When a check is successful is defined via bit L1ALEV.</p> <p>0<sub>B</sub> No asynchronous actions are performed 1<sub>B</sub> Asynchronous actions can be performed</p>
<b>LEV2V</b>	[10:8]	rwh	<p><b>Level Threshold 2 Voltage Configuration</b> This bit field defines the level of threshold 2 that is compared with the DMP_M core voltage. The values for the different configurations are listed in the data sheet.</p>
<b>LEV2OK</b>	11	rh	<p><b>Level Threshold 2 Check Result</b> 0<sub>B</sub> The core voltage of the DMP_M is below the configured level of threshold 2 1<sub>B</sub> The core voltage of the DMP_M is equal or above the configured level of threshold 2</p>
<b>L2ALEV</b>	12	rwh	<p><b>Level Threshold 2 Action Level</b> 0<sub>B</sub> The action configured by bits L2INTEN, L2RSTEN, and L2ASEN are requested when the core voltage is below LEV2V. Otherwise no action is requested. 1<sub>B</sub> The action configured by bits L2INTEN, L2RSTEN, and L2ASEN are requested when the core voltage is equal or above LEV2V. Otherwise no action is requested.</p>
<b>L2INTEN</b>	13	rwh	<p><b>Level Threshold 2 Interrupt Request Enable</b> This bit defines if an interrupt request trigger is requested if the comparison check was successful. When a check is successful is defined via bit L2ALEV.</p> <p>0<sub>B</sub> No interrupt is requested 1<sub>B</sub> An interrupt is requested</p>

Field	Bits	Type	Description
<b>L2RSTEN</b>	14	rwh	<b>Level Threshold 2 Reset Request Enable</b> This bit defines if a reset request trigger is requested if the comparison check was successful. When a check is successful is defined via bit L2ALEV. 0 <sub>B</sub> No reset is requested 1 <sub>B</sub> An reset is requested
<b>L2ASEN</b>	15	rwh	<b>Level Threshold 2 Asynchronous Action Enable</b> This bit defines if asynchronous action can be performed if the comparison check was successful. When a check is successful is defined via bit L2ALEV. 0 <sub>B</sub> No asynchronous actions are performed 1 <sub>B</sub> Asynchronous actions can be performed

**PVC1CON0**

**PVC\_1 Control Step 0 Register**

**ESFR (F014<sub>H</sub>/0A<sub>H</sub>)**

**Reset Value: 0504<sub>H</sub>**

15	14	13	12	11	10	9	8	7	6	5	4	3	2	1	0
<b>L2A SEN</b>	<b>L2R STE N</b>	<b>L2IN TEN</b>	<b>L2A LEV</b>	<b>LEV 2OK</b>	<b>LEV2V</b>		<b>L1A SEN</b>	<b>L1R STE N</b>	<b>L1IN TEN</b>	<b>L1A LEV</b>	<b>LEV 1OK</b>	<b>LEV1V</b>			
rwh	rwh	rwh	rwh	rh	rwh		rwh	rwh	rwh	rwh	rh	rwh			

Field	Bits	Type	Description
<b>LEV1V</b>	[2:0]	rwh	<b>Level Threshold 1 Voltage Configuration</b> This bit field defines the level of threshold 1 that is compared with the DMP_1 core voltage. The values for the different configurations are listed in the data sheet.
<b>LEV1OK</b>	3	rh	<b>Level Threshold 1 Check Result</b> 0 <sub>B</sub> The core voltage of the DMP_1 is below the configured threshold level 1 1 <sub>B</sub> The core voltage of the DMP_1 is equal or above the configured threshold level 1

Field	Bits	Type	Description
<b>L1ALEV</b>	4	rwh	<p><b>Level Threshold 1 Action Level</b></p> <p>0<sub>B</sub> The action configured by bits L1INTEN, L1RSTEN, and L1ASEN are requested when the core voltage is below LEV1V. Otherwise no action is requested.</p> <p>1<sub>B</sub> The actions configured by bits L1INTEN, L1RSTEN, and L1ASEN are requested when the core voltage is equal or above LEV1V. Otherwise no action is requested.</p>
<b>L1INTEN</b>	5	rwh	<p><b>Level Threshold 1 Interrupt Request Enable</b></p> <p>This bit defines if an interrupt request trigger is requested if the comparison check was successful. When a check is successful is defined via bit L1ALEV.</p> <p>0<sub>B</sub> No interrupt is requested</p> <p>1<sub>B</sub> An interrupt is requested</p>
<b>L1RSTEN</b>	6	rwh	<p><b>Level Threshold 1 Reset Request Enable</b></p> <p>This bit defines if a reset request trigger is requested if the comparison check was successful. When a check is successful is defined via bit L1ALEV.</p> <p>0<sub>B</sub> No reset is requested</p> <p>1<sub>B</sub> An reset is requested</p>
<b>L1ASEN</b>	7	rwh	<p><b>Level Threshold 1 Asynchronous Action Enable</b></p> <p>This bit defines if asynchronous action can be performed if the comparison check was successful. When a check is successful is defined via bit L1ALEV.</p> <p>0<sub>B</sub> No asynchronous actions are performed</p> <p>1<sub>B</sub> Asynchronous actions can be performed</p>
<b>LEV2V</b>	[10:8]	rwh	<p><b>Level Threshold 2 Voltage Configuration</b></p> <p>This bit field defines the level of threshold 2 that is compared with the DMP_1 core voltage. The values for the different configurations are listed in the data sheet.</p>
<b>LEV2OK</b>	11	rh	<p><b>Level Threshold 2 Check Result</b></p> <p>0<sub>B</sub> The core supply voltage of the DMP_1 is below the configured threshold level 2</p> <p>1<sub>B</sub> The core supply voltage of the DMP_1 is equal or above the configured threshold level 2</p>

Field	Bits	Type	Description
<b>L2ALEV</b>	12	rwh	<p><b>Level Threshold 2 Action Level</b></p> <p>0<sub>B</sub> The action configured by bits L2INTEN, L2RSTEN, and L2ASEN are requested when the voltage is below LEV2V. Otherwise no action is requested.</p> <p>1<sub>B</sub> The action configured by bits L2INTEN, L2RSTEN, and L2ASEN are requested when the voltage is equal or above LEV2V. Otherwise no action is requested.</p>
<b>L2INTEN</b>	13	rwh	<p><b>Level Threshold 2 Interrupt Request Enable</b></p> <p>This bit defines if an interrupt request trigger is requested if the comparison check was successful. When a check is successful is defined via bit L2ALEV.</p> <p>0<sub>B</sub> No interrupt is requested</p> <p>1<sub>B</sub> An interrupt is requested</p>
<b>L2RSTEN</b>	14	rwh	<p><b>Level Threshold 2 Reset Request Enable</b></p> <p>This bit defines if a reset request trigger is requested if the comparison check was successful. When a check is successful is defined via bit L2ALEV.</p> <p>0<sub>B</sub> No reset is requested</p> <p>1<sub>B</sub> An reset is requested</p>
<b>L2ASEN</b>	15	rwh	<p><b>Level Threshold 2 Asynchronous Action Enable</b></p> <p>This bit defines if asynchronous action can be performed if the comparison check was successful. When a check is successful is defined via bit L2ALEV.</p> <p>0<sub>B</sub> No asynchronous actions are performed</p> <p>1<sub>B</sub> Asynchronous actions can be performed</p>



Preliminary

System Control Unit (SCU)

**PVCMCONA1**

PVC\_M Control for Step 1 Set A Register

ESFR (F1E6<sub>H</sub>)

Reset Value: 0000<sub>H</sub>

**PVCMCONA2**

PVC\_M Control for Step 2 Set A Register

ESFR (F1E8<sub>H</sub>)

Reset Value: 0000<sub>H</sub>

**PVCMCONA3**

PVC\_M Control for Step 3 Set A Register

ESFR (F1EA<sub>H</sub>)

Reset Value: 0000<sub>H</sub>

**PVCMCONA4**

PVC\_M Control for Step 4 Set A Register

ESFR (F1EC<sub>H</sub>)

Reset Value: 0000<sub>H</sub>

**PVCMCONA5**

PVC\_M Control for Step 5 Set A Register

ESFR (F1EE<sub>H</sub>)

Reset Value: 0000<sub>H</sub>

**PVCMCONA6**

PVC\_M Control for Step 6 Set A Register

ESFR (F1F0<sub>H</sub>)

Reset Value: 0000<sub>H</sub>

15	14	13	12	11	10	9	8	7	6	5	4	3	2	1	0
L2A SEN	L2R STE N	L2IN TEN	L2A LEV	0		LEV2V		L1A SEN	L1R STE N	L1IN TEN	L1A LEV	0		LEV1V	
rw	rw	rw	rw	r		rw		rw	rw	rw	rw	r		rw	

Field	Bits	Type	Description
LEV1V	[2:0]	rw	<b>Level Threshold 1 Voltage Configuration</b> This bit field defines the level of threshold 1 that is compared with the DMP_M core voltage. The values for the different configurations are listed in the data sheet.
L1ALEV	4	rw	<b>Level Threshold 1 Action Level</b> 0 <sub>B</sub> The action configured by bits L1INTEN, L1RSTEN, and L1ASEN are requested when the voltage is below LEV1V. Otherwise no action is requested. 1 <sub>B</sub> The action configured by bits L1INTEN, L1RSTEN, and L1ASEN are requested when the voltage is equal or above LEV1V. Otherwise no action is requested.

Field	Bits	Type	Description
<b>L1INTEN</b>	5	rw	<p><b>Level Threshold 1 Interrupt Request Enable</b>            This bit defines if an interrupt request trigger is requested if the comparison check was successful. When a check is successful is defined via bit L1ALEV.</p> <p>0<sub>B</sub> No interrupt is requested            1<sub>B</sub> An interrupt is requested</p>
<b>L1RSTEN</b>	6	rw	<p><b>Level Threshold 1 Reset Request Enable</b>            This bit defines if a reset request trigger is requested if the comparison check was successful. When a check is successful is defined via bit L1ALEV.</p> <p>0<sub>B</sub> No reset is requested            1<sub>B</sub> An reset is requested</p>
<b>L1ASEN</b>	7	rw	<p><b>Level Threshold 1 Asynchronous Action Enable</b>            This bit defines if asynchronous action can be performed if the comparison check was successful. When a check is successful is defined via bit L1ALEV.</p> <p>0<sub>B</sub> No asynchronous actions are performed            1<sub>B</sub> Asynchronous actions can be performed</p>
<b>LEV2V</b>	[10:8]	rw	<p><b>Level Threshold 2 Voltage Configuration</b>            This bit field defines the level of threshold 2 that is compared with the DMP_M core voltage. The values for the different configurations are listed in the data sheet.</p>
<b>L2ALEV</b>	12	rw	<p><b>Level Threshold 2 Action Level</b></p> <p>0<sub>B</sub> The action configured by bits L2INTEN, L2RSTEN, and L2ASEN are requested when the voltage is below LEV2V. Otherwise no action is requested.</p> <p>1<sub>B</sub> The action configured by bits L2INTEN, L2RSTEN, and L2ASEN are requested when the voltage is equal or above LEV2V. Otherwise no action is requested.</p>

Field	Bits	Type	Description
<b>L2INTEN</b>	13	rw	<p><b>Level Threshold 2 Interrupt Request Enable</b>            This bit defines if an interrupt request trigger is requested if the comparison check was successful. When a check is successful is defined via bit L2ALEV.</p> <p>0<sub>B</sub> No interrupt is requested            1<sub>B</sub> An interrupt is requested</p>
<b>L2RSTEN</b>	14	rw	<p><b>Level Threshold 2 Reset Request Enable</b>            This bit defines if a reset request trigger is requested if the comparison check was successful. When a check is successful is defined via bit L2ALEV.</p> <p>0<sub>B</sub> No reset is requested            1<sub>B</sub> An reset is requested</p>
<b>L2ASEN</b>	15	rw	<p><b>Level Threshold 2 Asynchronous Action Enable</b>            This bit defines if asynchronous action can be performed if the comparison check was successful. When a check is successful is defined via bit L2ALEV.</p> <p>0<sub>B</sub> No asynchronous actions are performed            1<sub>B</sub> Asynchronous actions can be performed</p>
<b>0</b>	3, 11	rw	<p><b>Reserved</b>            Should be written with 0.</p>

Preliminary

System Control Unit (SCU)

**PVC1CONA1**

**PVC\_1 Control for Step 1 Set A Register**

**ESFR (F016<sub>H</sub>/0B<sub>H</sub>)**

**Reset Value: 0000<sub>H</sub>**

**PVC1CONA2**

**PVC\_1 Control for Step 2 Set A Register**

**ESFR (F018<sub>H</sub>/0C<sub>H</sub>)**

**Reset Value: 0000<sub>H</sub>**

**PVC1CONA3**

**PVC\_1 Control for Step 3 Set A Register**

**ESFR (F01A<sub>H</sub>/0D<sub>H</sub>)**

**Reset Value: 0000<sub>H</sub>**

**PVC1CONA4**

**PVC\_1 Control for Step 4 Set A Register**

**ESFR (F01C<sub>H</sub>/0E<sub>H</sub>)**

**Reset Value: 0000<sub>H</sub>**

**PVC1CONA5**

**PVC\_1 Control for Step 5 Set A Register**

**ESFR (F01E<sub>H</sub>/0F<sub>H</sub>)**

**Reset Value: 0000<sub>H</sub>**

**PVC1CONA6**

**PVC\_1 Control for Step 6 Set A Register**

**ESFR (F020<sub>H</sub>/10<sub>H</sub>)**

**Reset Value: 0000<sub>H</sub>**

15	14	13	12	11	10	9	8	7	6	5	4	3	2	1	0
L2A SEN	L2R STE N	L2IN TEN	L2A LEV	0		LEV2V		L1A SEN	L1R STE N	L1IN TEN	L1A LEV	0		LEV1V	
rw	rw	rw	rw	r		rw		rw	rw	rw	rw	r		rw	

Field	Bits	Type	Description
LEV1V	[2:0]	rw	<b>Level Threshold 1 Voltage Configuration</b> This bit field defines the level of threshold 1 that is compared with the DMP_1 core voltage. The values for the different configurations are listed in the data sheet.
L1ALEV	4	rw	<b>Level Threshold 1 Action Level</b> 0 <sub>B</sub> The action configured by bits L1INTEN, L1RSTEN, and L1ASEN are requested when the voltage is below LEV1V. Otherwise no action is requested. 1 <sub>B</sub> The action configured by bits L1INTEN, L1RSTEN, and L1ASEN are requested when the voltage is equal or above LEV1V. Otherwise no action is requested.

Field	Bits	Type	Description
<b>L1INTEN</b>	5	rw	<p><b>Level Threshold 1 Interrupt Request Enable</b>            This bit defines if an interrupt request trigger is requested if the comparison check was successful. When a check is successful is defined via bit L1ALEV.</p> <p>0<sub>B</sub> No interrupt is requested            1<sub>B</sub> An interrupt is requested</p>
<b>L1RSTEN</b>	6	rw	<p><b>Level Threshold 1 Reset Request Enable</b>            This bit defines if a reset request trigger is requested if the comparison check was successful. When a check is successful is defined via bit L1ALEV.</p> <p>0<sub>B</sub> No reset is requested            1<sub>B</sub> An reset is requested</p>
<b>L1ASEN</b>	7	rw	<p><b>Level Threshold 1 Asynchronous Action Enable</b>            This bit defines if asynchronous action can be performed if the comparison check was successful. When a check is successful is defined via bit L1ALEV.</p> <p>0<sub>B</sub> No asynchronous actions are performed            1<sub>B</sub> Asynchronous actions can be performed</p>
<b>LEV2V</b>	[10:8]	rw	<p><b>Level 2 Voltage Configuration</b>            This bit field defines the level of threshold 2 that is compared with the DMP_1 core voltage. The values for the different configurations are listed in the data sheet.</p>
<b>L2ALEV</b>	12	rw	<p><b>Level Threshold 2 Action Level</b></p> <p>0<sub>B</sub> The action configured by bits L2INTEN, L2RSTEN, and L2ASEN are requested when the voltage is below LEV2V. Otherwise no action is requested.</p> <p>1<sub>B</sub> The action configured by bits L2INTEN, L2RSTEN, and L2ASEN are requested when the voltage is equal or above LEV2V. Otherwise no action is requested.</p>

Field	Bits	Type	Description
<b>L2INTEN</b>	13	rw	<p><b>Level Threshold 2 Interrupt Request Enable</b>            This bit defines if an interrupt request trigger is requested if the comparison check was successful. When a check is successful is defined via bit L2ALEV.</p> <p>0<sub>B</sub> No interrupt is requested            1<sub>B</sub> An interrupt is requested</p>
<b>L2RSTEN</b>	14	rw	<p><b>Level Threshold 2 Reset Request Enable</b>            This bit defines if a reset request trigger is requested if the comparison check was successful. When a check is successful is defined via bit L2ALEV.</p> <p>0<sub>B</sub> No reset is requested            1<sub>B</sub> An reset is requested</p>
<b>L2ASEN</b>	15	rw	<p><b>Level Threshold 2 Asynchronous Action Enable</b>            This bit defines if asynchronous action can be performed if the comparison check was successful. When a check is successful is defined via bit L2ALEV.</p> <p>0<sub>B</sub> No asynchronous actions are performed            1<sub>B</sub> Asynchronous actions can be performed</p>
<b>0</b>	3, 11	rw	<p><b>Reserved</b>            Should be written with 0.</p>

Preliminary

System Control Unit (SCU)

**PVCMCONB1**

PVC\_M Control for Step 1 Set B Register

ESFR (F1F4<sub>H</sub>)

Reset Value: 0544<sub>H</sub>

**PVCMCONB2**

PVC\_M Control for Step 2 Set B Register

ESFR (F1F6<sub>H</sub>)

Reset Value: 0544<sub>H</sub>

**PVCMCONB3**

PVC\_M Control for Step 3 Set B Register

ESFR (F1F8<sub>H</sub>)

Reset Value: 0544<sub>H</sub>

**PVCMCONB4**

PVC\_M Control for Step 4 Set B Register

ESFR (F1FA<sub>H</sub>)

Reset Value: 0544<sub>H</sub>

**PVCMCONB5**

PVC\_M Control for Step 5 Set B Register

ESFR (F1FC<sub>H</sub>)

Reset Value: 0544<sub>H</sub>

**PVCMCONB6**

PVC\_M Control for Step 6 Set B Register

ESFR (F1FE<sub>H</sub>)

Reset Value: 0544<sub>H</sub>

15	14	13	12	11	10	9	8	7	6	5	4	3	2	1	0
L2A SEN	L2R STE N	L2IN TEN	L2A LEV	0		LEV2V		L1A SEN	L1R STE N	L1IN TEN	L1A LEV	0		LEV1V	
rw	rw	rw	rw	r		rw		rw	rw	rw	rw	r		rw	

Field	Bits	Type	Description
LEV1V	[2:0]	rw	<b>Level 1 Voltage Configuration</b> This bit field defines the level that is used by the comparator 1 in the PVC. The values for the different configurations are listed in the data sheet.
L1ALEV	4	rw	<b>Level 1 Action Level</b> 0 <sub>B</sub> The action configured by bits L1INTEN, L1RSTEN, and L1ASEN are requested when the voltage is below LEV1V. Otherwise no action is requested. 1 <sub>B</sub> The actions configured by bits L1INTEN, L1RSTEN, and L1ASEN are requested when the voltage is equal or above LEV1V. Otherwise no action is requested.

Field	Bits	Type	Description
<b>L1INTEN</b>	5	rw	<p><b>Level 1 Interrupt Request Enable</b> This bit defines if an interrupt request trigger is requested if the comparison level check was successful. When a check is successful is defined via bit L1ALEV.</p> <p>0<sub>B</sub> No interrupt is requested 1<sub>B</sub> An interrupt is requested</p>
<b>L1RSTEN</b>	6	rw	<p><b>Level 1 Reset Request Enable</b> This bit defines if a reset request trigger is requested if the comparison level check was successful. When a check is successful is defined via bit L1ALEV.</p> <p>0<sub>B</sub> No reset is requested 1<sub>B</sub> An reset is requested</p>
<b>L1ASEN</b>	7	rw	<p><b>Level 1 Asynchronous Action Enable</b> This bit defines if asynchronous action can be performed if the comparison level check was successful. When a check is successful is defined via bit L1ALEV.</p> <p>0<sub>B</sub> No asynchronous actions are performed 1<sub>B</sub> Asynchronous actions can be performed</p>
<b>LEV2V</b>	[10:8]	rw	<p><b>Level 2 Voltage Configuration</b> This bit field defines the level that is used by the comparator 2 in the PVC. The values for the different configurations are listed in the data sheet.</p>
<b>L2ALEV</b>	12	rw	<p><b>Level 2 Action Level</b></p> <p>0<sub>B</sub> The action configured by bits L2INTEN, L2RSTEN, and L2ASEN are requested when the voltage is below LEV2V. Otherwise no action is requested.</p> <p>1<sub>B</sub> The action configured by bits L2INTEN, L2RSTEN, and L2ASEN are requested when the voltage is equal or above LEV2V. Otherwise no action is requested.</p>



Field	Bits	Type	Description
<b>L2INTEN</b>	13	rw	<p><b>Level 2 Interrupt Request Enable</b>            This bit defines if an interrupt request trigger is requested if the comparison level check was successful. When a check is successful is defined via bit L2ALEV.</p> <p>0<sub>B</sub> No interrupt is requested            1<sub>B</sub> An interrupt is requested</p>
<b>L2RSTEN</b>	14	rw	<p><b>Level 2 Reset Request Enable</b>            This bit defines if a reset request trigger is requested if the comparison level check was successful. When a check is successful is defined via bit L2ALEV.</p> <p>0<sub>B</sub> No reset is requested            1<sub>B</sub> An reset is requested</p>
<b>L2ASEN</b>	15	rw	<p><b>Level 2 Asynchronous Action Enable</b>            This bit defines if asynchronous action can be performed if the comparison level check was successful. When a check is successful is defined via bit L2ALEV.</p> <p>0<sub>B</sub> No asynchronous actions are performed            1<sub>B</sub> Asynchronous actions can be performed</p>
<b>0</b>	3, 11	rw	<p><b>Reserved</b>            Should be written with 0.</p>

Preliminary

System Control Unit (SCU)

**PVC1CONB1**

**PVC\_1 Control for Step 1 Set B Register**

**ESFR (F024<sub>H</sub>/12<sub>H</sub>)**

**Reset Value: 9504<sub>H</sub>**

**PVC1CONB2**

**PVC\_1 Control for Step 2 Set B Register**

**ESFR (F026<sub>H</sub>/13<sub>H</sub>)**

**Reset Value: 0544<sub>H</sub>**

**PVC1CONB3**

**PVC\_1 Control for Step 3 Set B Register**

**ESFR (F028<sub>H</sub>/14<sub>H</sub>)**

**Reset Value: 0544<sub>H</sub>**

**PVC1CONB4**

**PVC\_1 Control for Step 4 Set B Register**

**ESFR (F02A<sub>H</sub>/15<sub>H</sub>)**

**Reset Value: 0544<sub>H</sub>**

**PVC1CONB5**

**PVC\_1 Control for Step 5 Set B Register**

**ESFR (F02C<sub>H</sub>/16<sub>H</sub>)**

**Reset Value: 0544<sub>H</sub>**

**PVC1CONB6**

**PVC\_1 Control for Step 6 Set B Register**

**ESFR (F02E<sub>H</sub>/17<sub>H</sub>)**

**Reset Value: 0544<sub>H</sub>**

15	14	13	12	11	10	9	8	7	6	5	4	3	2	1	0
L2A SEN	L2R STE N	L2IN TEN	L2A LEV	0		LEV2V		L1A SEN	L1R STE N	L1IN TEN	L1A LEV	0		LEV1V	
rw	rw	rw	rw	r		rw		rw	rw	rw	rw	r		rw	

Field	Bits	Type	Description
<b>LEV1V</b>	[2:0]	rw	<b>Level 1 Voltage Configuration</b> This bit field defines the level that is used by the comparator 1 in the PVC. The values for the different configurations are listed in the data sheet.
<b>L1ALEV</b>	4	rw	<b>Level 1 Action Level</b> 0 <sub>B</sub> The action configured by bits L1INTEN, L1RSTEN, and L1ASEN are requested when the voltage is below LEV1V. Otherwise no action is requested. 1 <sub>B</sub> The actions configured by bits L1INTEN, L1RSTEN, and L1ASEN are requested when the voltage is equal or above LEV1V. Otherwise no action is requested.

Field	Bits	Type	Description
<b>L1INTEN</b>	5	rw	<p><b>Level 1 Interrupt Request Enable</b> This bit defines if an interrupt request trigger is requested if the comparison level check was successful. When a check is successful is defined via bit L1ALEV.</p> <p>0<sub>B</sub> No interrupt is requested 1<sub>B</sub> An interrupt is requested</p>
<b>L1RSTEN</b>	6	rw	<p><b>Level 1 Reset Request Enable</b> This bit defines if a reset request trigger is requested if the comparison level check was successful. When a check is successful is defined via bit L1ALEV.</p> <p>0<sub>B</sub> No reset is requested 1<sub>B</sub> An reset is requested</p>
<b>L1ASEN</b>	7	rw	<p><b>Level 1 Asynchronous Action Enable</b> This bit defines if asynchronous action can be performed if the comparison level check was successful. When a check is successful is defined via bit L1ALEV.</p> <p>0<sub>B</sub> No asynchronous actions are performed 1<sub>B</sub> Asynchronous actions can be performed</p>
<b>LEV2V</b>	[10:8]	rw	<p><b>Level 2 Voltage Configuration</b> This bit field defines the level that is used by the comparator 2 in the PVC. The values for the different configurations are listed in the data sheet.</p>
<b>L2ALEV</b>	12	rw	<p><b>Level 2 Action Level</b></p> <p>0<sub>B</sub> The action configured by bits L2INTEN, L2RSTEN, and L2ASEN are requested when the voltage is below LEV2V. Otherwise no action is requested.</p> <p>1<sub>B</sub> The action configured by bits L2INTEN, L2RSTEN, and L2ASEN are requested when the voltage is equal or above LEV2V. Otherwise no action is requested.</p>

Field	Bits	Type	Description
<b>L2INTEN</b>	13	rw	<p><b>Level 2 Interrupt Request Enable</b> This bit defines if an interrupt request trigger is requested if the comparison level check was successful. When a check is successful is defined via bit L2ALEV.</p> <p>0<sub>B</sub> No interrupt is requested 1<sub>B</sub> An interrupt is requested</p>
<b>L2RSTEN</b>	14	rw	<p><b>Level 2 Reset Request Enable</b> This bit defines if a reset request trigger is requested if the comparison level check was successful. When a check is successful is defined via bit L2ALEV.</p> <p>0<sub>B</sub> No reset is requested 1<sub>B</sub> An reset is requested</p>
<b>L2ASEN</b>	15	rw	<p><b>Level 2 Asynchronous Action Enable</b> This bit defines if asynchronous action can be performed if the comparison level check was successful. When a check is successful is defined via bit L2ALEV.</p> <p>0<sub>B</sub> No asynchronous actions are performed 1<sub>B</sub> Asynchronous actions can be performed</p>
<b>0</b>	3, 11	rw	<p><b>Reserved</b> Should be written with 0.</p>

### 6.5.3 Controlling the Voltage Level of a Core Domain

The two core power domains DMP\_M and DMP\_1 can be controlled individually within certain limits. The limits are defined by the supported **Power States**. The voltage level of each core domain is controlled by an own **Embedded Voltage Regulator** (EVR).

The core power domain DMP\_M is control by the EVR\_M.

The core power domain DMP\_1 is control by the EVR\_1.

#### 6.5.3.1 Power States

Based on the various operating states of the EVRs, several Power Modes are defined in order to achieve easily a power reduction.

**Table 6-14** summarizes the power states based on the respective voltage levels.

**Table 6-14 Operating States Based on Supply Voltage**

	DMP_1		
DMP_M	Off	Reduced Voltage	Full Voltage
Reduced Voltage	Power State A	Power State B	Not Allowed
Full Voltage	Power State F	Power State G	Power State I

#### 6.5.3.2 Embedded Voltage Regulator

An embedded voltage regulator (EVR) provides an stable core supply voltage

##### Feature list:

- Regulation with external buffer capacitor
- Selectable core voltage levels, including zero
- Core voltage generation either based on a Low Power Reference or on a High Precision Bandgap
- External supply possible via capacitor-pin while EVR is off

When the EVR is disabled it tolerate an external supply voltage provided through the pin VDDI that connects the external buffer capacitor.

The EVR configurations to select the desired voltage and reference pair are combined within EVR settings EVRxSETyyV (x = M or 1 and yy = 10 or 15). Each setting contains a bit field (VRSEL) to select the voltage level and reference and a bit field to fine-tune the voltage level (VLEV). One out of the possible settings is used to control each of the EVRs, but only in the allowed combinations for the two EVRs. The core voltage generated by an EVR is derived either from the Low Power Reference (LPR) or from the High Precision Bandgap (HP).

The core voltage of each setting can be adjusted to compensate application and environmental influences. This is control via bit field EVRxSETyyV.VLEV.

### **Lower Power Reference (LPR)**

The LPR of an EVR is used for two purposes:

- Operation in a Power State other than Full Active
- Special Power Saving in the Full Active Power State

The LPR can be enabled / disabled via the bit EVRxSETyyV.LPRDIS. If a setting use the LPR or not is defined via the bit field EVRxSETyyV.VRSEL. Please note that even if bit EVRxSETyyV.LPRDIS and the bit field EVRxSETyyV.VRVAL are writable this should not be done, the reset value of the setting registers is already defined in the way the different setting work.

As the core voltage depends on the LPR the LPR can be adjusted via bit field EVRxCON0.LPRLEV for application specific fine tuning.

### **High Precision Bandgap (HP)**

The HP bandgap of the system is used for two purposes:

- Provide a very stable reference for the two EVRs when operating in Full Active
- Provide a reference for the flash memory. For more information about this point see the flash memory description.

Only one HP bandgap is implemented which is used by both EVRs. The HP bandgap can be enabled / disable via the bit EVRMCON1.HPEN.

As the core voltage depends on the HP configuration, the HP bandgap can be adjusted via bit field EVRMCON1.HPADJUST for application specific fine tuning.

Preliminary

System Control Unit (SCU)

### EVR Status and Control Registers

#### EVRMCON0

EVR\_M Control 0 Register

ESFR (F084<sub>H</sub>/42<sub>H</sub>)

Reset Value: 0D20<sub>H</sub>

	15	14	13	12	11	10	9	8	7	6	5	4	3	2	1	0
<b>EVR DIS</b>				<b>0</b>			<b>LPR DIS</b>	<b>0</b>	<b>LPRTC</b>	<b>LPRLEV</b>			<b>0</b>			
rh	r	r	r	r	r	r	rh	rw	rw	rw	rw	rw	rw	r	r	r

Field	Bits	Type	Description
<b>LPRLEV</b>	[5:3]	rw	<p><b>Low Power Reference Level</b></p> <p>This bit field adjusts the core voltage generated by the EVR for low power reference settings. The values for the different configurations are listed in the data sheet.</p>
<b>LPRTC</b>	[7:6]	rw	<p><b>Low Power Reference Temperature Compensation</b></p> <p>This bit field adjusts the core voltage generated by the EVR for low power reference settings in order to overcome temperature influences.</p> <p>00<sub>B</sub> No temperature compensation selected            01<sub>B</sub> Positive temperature compensation selected: +0.1 mV/°C            10<sub>B</sub> Negative temperature compensation selected: -0.1 mV/°C            11<sub>B</sub> Reserved, do not use this combination</p>
<b>LPRCCDIS</b>	8	rw	<p><b>Low Power Reference Comparator Disable</b></p> <p>0<sub>B</sub> The LPR comparator is enabled            1<sub>B</sub> The LPR comparator is disabled</p>
<b>LPRDIS</b>	9	rh	<p><b>Current Control Disable</b></p> <p>0<sub>B</sub> The current control is enabled            1<sub>B</sub> The current control is disabled            This bit updates bit EVRMCON0.CCDIS.</p>
<b>EVRDIS</b>	15	rh	<p><b>EVR_M Disable</b></p> <p>0<sub>B</sub> The EVR_M is enabled            0<sub>B</sub> The EVR_M is disabled            This bit is updated by bit EVRMSETy.EVRDIS.</p>
<b>0</b>	8	rw	<p><b>Reserved</b></p> <p>Must be written with 1<sub>B</sub>.</p>

Field	Bits	Type	Description
0	[11:10]	rw	<b>Reserved</b> Should be written with 11 <sub>B</sub> .
0	12	rh	<b>Reserved</b> Should be written with 0.

### EVR1CON0

EVR\_1 Control 0 Register

ESFR (F088<sub>H</sub>/44<sub>H</sub>)

Reset Value: DF20<sub>H</sub>

	15	14	13	12	11	10	9	8	7	6	5	4	3	2	1	0
<b>EVR DIS</b>				<b>0</b>			<b>LPR DIS</b>	<b>0</b>		<b>LPRTC</b>			<b>LPRLEV</b>			<b>0</b>
rh	rh	rw	rh	rw	rh	rw	rh	rw	rw	rw	rw	rw	rw	rw	r	

Field	Bits	Type	Description
<b>LPRLEV</b>	[5:3]	rw	<b>Low Power Reference Level</b> This bit field adjusts the core voltage generated by the EVR for low power reference settings. The values for the different configurations are listed in the data sheet.
<b>LPRTC</b>	[7:6]	rw	<b>Low Power Reference Temperature Compensation</b> This bit field adjusts the core voltage generated by the EVR for low power reference settings in order to overcome temperature influences. 00 <sub>B</sub> No temperature compensation selected 01 <sub>B</sub> Positive temperature compensation selected: +0.1 mV/°C 10 <sub>B</sub> Negative temperature compensation selected: -0.1 mV/°C 11 <sub>B</sub> Reserved, do not use this combination
<b>LPRDIS</b>	9	rh	<b>Low Power Reference Disable</b> 0 <sub>B</sub> The LPR is enabled 1 <sub>B</sub> The LPR is disabled This bit is updated by bit EVR1SETy.LPRDIS.
<b>EVRDIS</b>	15	rh	<b>EVR_1 Disable</b> 0 <sub>B</sub> The EVR_1 is enabled 1 <sub>B</sub> The EVR_1 is disabled This bit is updated by bit EVR1SETy.EVRDIS.



Preliminary

System Control Unit (SCU)

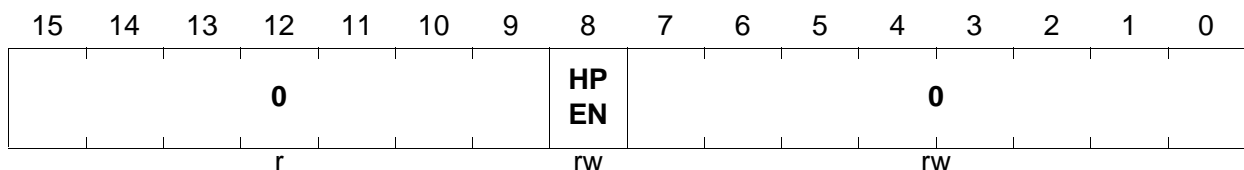
Field	Bits	Type	Description
0	8	rw	<b>Reserved</b> Must be written with 1 <sub>B</sub> .
0	[11:10]	rw	<b>Reserved</b> Should be written with 11 <sub>B</sub> .
0	12	rh	<b>Reserved</b> Should be written with 0.
0	13	rw	<b>Reserved</b> Must be written with 1 <sub>B</sub> .
0	14	rh	<b>Reserved</b> Should be written with 0.
0	[2:0]	r	<b>Reserved</b> Read as 0; should be written with 0.

**EVRMCON1**

**EVR\_M Control 1 Register**

**ESFR (F086<sub>H</sub>/43<sub>H</sub>)**

**Reset Value: 0101<sub>H</sub>**



Field	Bits	Type	Description
<b>HPEN</b>	8	rw	<b>HP Bandgap Enable</b> 0 <sub>B</sub> The HP bandgap is disabled 1 <sub>B</sub> The HP bandgap is enabled
0	[7:0]	rw	<b>Reserved</b> Should not be changed.
0	[15:9]	r	<b>Reserved</b> Read as 0; should be written with 0.

**EVRMSET10V**

**EVR\_M Setting for 1.0 V Register**

ESFR (F090<sub>H</sub>/48<sub>H</sub>)

Reset Value: 005B<sub>H</sub>

15	14	13	12	11	10	9	8	7	6	5	4	3	2	1	0
EVR DIS	0	CC DIS	0	LPR DIS	0	VRSEL		VLEV							
rw	rw	rw	rw	rw	rw	rw	rw	rw							

Field	Bits	Type	Description
VLEV	[5:0]	rw	<b>Voltage Level Adjust</b> The values for the different configurations are listed in the data sheet.
VRSEL	[7:6]	rw	<b>Voltage Reference Selection</b> 00 <sub>B</sub> Full Voltage with high precision bandgap selected 01 <sub>B</sub> Reduced Voltage with low power reference selected 10 <sub>B</sub> Reserved, done not use this combination 11 <sub>B</sub> Full Voltage with low power reference selected <i>Note: 01<sub>B</sub> should always be written to this bit field.</i>
LPRDIS	9	rw	<b>Low Power Reference Disable</b> 0 <sub>B</sub> The LPR is enabled 1 <sub>B</sub> The LPR is disabled This bit updates bit EVRMCON0.LPRDIS.
CCDIS	12	rw	<b>Current Control Disable</b> 0 <sub>B</sub> The current control is enabled 1 <sub>B</sub> The current control is disabled This bit updates bit EVRMCON0.CCDIS.
EVRDIS	15	rw	<b>EVR_M Disable</b> 0 <sub>B</sub> The EVR_M is enabled 1 <sub>B</sub> The EVR_M is disabled This bit updates bit EVRMCON0.EVRDIS.
0	8, [11:10] [14:13]	rw	<b>Reserved</b> Should be written with 0.

**EVRMSET15VLP**

**EVR\_M Setting for 1.5 V LP Register**

ESFR (F094<sub>H</sub>/4A<sub>H</sub>)

Reset Value: 00DB<sub>H</sub>

15	14	13	12	11	10	9	8	7	6	5	4	3	2	1	0
EVR DIS	0	CC DIS	0	LPR DIS	0	VRSEL		VLEV							
rw	rw	rw	rw	rw	rw	rw	rw	rw							

Field	Bits	Type	Description
VLEV	[5:0]	rw	<b>Voltage Level Adjust</b> The values for the different configurations are listed in the data sheet.
VRSEL	[7:6]	rw	<b>Voltage Reference Selection</b> 00 <sub>B</sub> Full Voltage with high precision bandgap selected 01 <sub>B</sub> Reduced Voltage with low power reference selected 10 <sub>B</sub> Reserved, do not use this combination 11 <sub>B</sub> Full Voltage with low power reference selected <i>Note: 11<sub>B</sub> should always be written to this bit field.</i>
LPRDIS	9	rw	<b>Low Power Reference Disable</b> 0 <sub>B</sub> The LPR is enabled 1 <sub>B</sub> The LPR is disabled This bit updates bit EVRMCON0.LPRDIS.
CCDIS	12	rw	<b>Current Control Disable</b> 0 <sub>B</sub> The current control is enabled 1 <sub>B</sub> The current control is disabled This bit updates bit EVRMCON0.CCDIS.
EVRDIS	15	rw	<b>EVR_M Disable</b> 0 <sub>B</sub> The EVR_M is enabled 1 <sub>B</sub> The EVR_M is disabled This bit updates bit EVRMCON0.EVRDIS.
0	8, [11:10] [14:13]	rw	<b>Reserved</b> Should be written with 0.

**EVRMSET15VHP**

**EVR\_M Setting for 1.5 V HP Register**

**ESFR (F096<sub>H</sub>/4B<sub>H</sub>)**

**Reset Value: 001B<sub>H</sub>**

15	14	13	12	11	10	9	8	7	6	5	4	3	2	1	0
<b>EVR DIS</b>	<b>0</b>	<b>CC DIS</b>	<b>0</b>	<b>LPR DIS</b>	<b>0</b>	<b>VRSEL</b>		<b>VLEV</b>							
rw	rw	rw	rw	rw	rw	rw	rw	rw							

Field	Bits	Type	Description
<b>VLEV</b>	[5:0]	rw	<b>Voltage Level Adjust</b> The values for the different configurations are listed in the data sheet.
<b>VRSEL</b>	[7:6]	rw	<b>Voltage Reference Selection</b> 00 <sub>B</sub> Full Voltage with high precision bandgap selected 01 <sub>B</sub> Reduced Voltage with low power reference selected 10 <sub>B</sub> Reserved, done not use this combination 11 <sub>B</sub> Full Voltage with low power reference selected <i>Note: 00<sub>B</sub> should always be written to this bit field.</i>
<b>LPRDIS</b>	9	rw	<b>Low Power Reference Disable</b> 0 <sub>B</sub> The LPR is enabled 1 <sub>B</sub> The LPR is disabled This bit updates bit EVRMCON0.LPRDIS.
<b>CCDIS</b>	12	rw	<b>Current Control Disable</b> 0 <sub>B</sub> The current control is enabled 1 <sub>B</sub> The current control is disabled This bit updates bit EVRMCON0.CCDIS.
<b>EVRDIS</b>	15	rw	<b>EVR_M Disable</b> 0 <sub>B</sub> The EVR_M is enabled 1 <sub>B</sub> The EVR_M is disabled This bit updates bit EVRMCON0.EVRDIS.
<b>0</b>	8, [11:10] [14:13]	rw	<b>Reserved</b> Should be written with 0.

**EVR1SET10V**

**EVR\_1 Setting for 1.0 V Register**

**ESFR (F098<sub>H</sub>/4C<sub>H</sub>)**

**Reset Value: 005B<sub>H</sub>**

15	14	13	12	11	10	9	8	7	6	5	4	3	2	1	0
<b>EVR DIS</b>	<b>CSM DDIS</b>	<b>0</b>	<b>CC DIS</b>	<b>0</b>	<b>LPR DIS</b>	<b>0</b>	<b>VRSEL</b>			<b>VLEV</b>					
rw	rw	rw	rw	rw	rw	rw	rw	rw	rw	rw	rw	rw	rw	rw	rw

Field	Bits	Type	Description
<b>VLEV</b>	[5:0]	rw	<b>Voltage Level Adjust</b> The values for the different configurations are listed in the data sheet.
<b>VRSEL</b>	[7:6]	rw	<b>Voltage Reference Selection</b> 00 <sub>B</sub> Full Voltage with high precision bandgap selected 01 <sub>B</sub> Reduced Voltage with low power reference selected 10 <sub>B</sub> Reserved, do not use this combination 11 <sub>B</sub> Full Voltage with low power reference selected <i>Note: 01<sub>B</sub> should always be written to this bit field.</i>
<b>LPRDIS</b>	9	rw	<b>Low Power Reference Disable</b> 0 <sub>B</sub> The LPR is enabled 1 <sub>B</sub> The LPR is disabled This bit updates bit EVR1CON0.LPRDIS.
<b>CCDIS</b>	12	rw	<b>Current Control Disable</b> 0 <sub>B</sub> The current control is enabled 1 <sub>B</sub> The current control is disabled This bit updates bit EVR1CON0.CCDIS.
<b>CSMDDIS</b>	14	rw	<b>Core Supply Mode Detector Disable</b> 0 <sub>B</sub> The core supply mode detector is enabled 1 <sub>B</sub> The core supply mode detector is disabled This bit updates bit EVR1CON0.CSMDDIS.
<b>EVRDIS</b>	15	rw	<b>EVR_1 Disable</b> 0 <sub>B</sub> The EVR_1 is enabled 1 <sub>B</sub> The EVR_1 is disabled This bit updates bit EVR1CON0.EVRDIS.

Field	Bits	Type	Description
0	8, [11:10] 13	rw	<b>Reserved</b> Should be written with 0.

**EVR1SET15VLP**

**EVR\_1 Setting for 1.5 V LP Register**

**ESFR (F09C<sub>H</sub>/4E<sub>H</sub>)**

**Reset Value: 00DB<sub>H</sub>**

15	14	13	12	11	10	9	8	7	6	5	4	3	2	1	0
<b>EVR DIS</b>	<b>CSM DDIS</b>	0	<b>CC DIS</b>	0	<b>LPR DIS</b>	0	<b>VRSEL</b>	<b>VLEV</b>							
rw	rw	rw	rw	rw	rw	rw	rw	rw							

Field	Bits	Type	Description
<b>VLEV</b>	[5:0]	rw	<b>Voltage Level Adjust</b> The values for the different configurations are listed in the data sheet.
<b>VRSEL</b>	[7:6]	rw	<b>Voltage Reference Selection</b> 00 <sub>B</sub> Full Voltage with high precision bandgap selected 01 <sub>B</sub> Reduced Voltage with low power reference selected 10 <sub>B</sub> Reserved, done not use this combination 11 <sub>B</sub> Full Voltage with low power reference selected <i>Note: 11<sub>B</sub> should always be written to this bit field.</i>
<b>LPRDIS</b>	9	rw	<b>Low Power Reference Disable</b> 0 <sub>B</sub> The LPR is enabled 1 <sub>B</sub> The LPR is disabled This bit updates bit EVR1CON0.LPRDIS.
<b>CCDIS</b>	12	rw	<b>Current Control Disable</b> 0 <sub>B</sub> The current control is enabled 1 <sub>B</sub> The current control is disabled This bit updates bit EVR1CON0.CCDIS.
<b>CSMDDIS</b>	14	rw	<b>Core Supply Mode Detector Disable</b> 0 <sub>B</sub> The core supply mode detector is enabled 1 <sub>B</sub> The core supply mode detector is disabled This bit is updates bit EVR1CON0.CSMDDIS.

Preliminary

System Control Unit (SCU)

Field	Bits	Type	Description
<b>EVRDIS</b>	15	rw	<b>EVR_1 Disable</b> $0_B$ The EVR_1 is enabled $1_B$ The EVR_1 is disabled This bit updates bit EVR1CON0.EVRDIS.
<b>0</b>	8, [11:10] 13	rw	<b>Reserved</b> Should be written with 0.

**EVR1SET15VHP**

**EVR\_1 Setting for 1.5 V HP Register**

**ESFR (F09E<sub>H</sub>/4F<sub>H</sub>)**

**Reset Value: 001B<sub>H</sub>**

15	14	13	12	11	10	9	8	7	6	5	4	3	2	1	0
<b>EVR DIS</b>	<b>CSM DDIS</b>	<b>0</b>	<b>CC DIS</b>	<b>0</b>	<b>LPR DIS</b>	<b>0</b>	<b>VRSEL</b>	<b>VLEV</b>							
rw	rw	rw	rw	rw	rw	rw	rw	rw							

Field	Bits	Type	Description
<b>VLEV</b>	[5:0]	rw	<b>Voltage Level Adjust</b> The values for the different configurations are listed in the data sheet.
<b>VRSEL</b>	[7:6]	rw	<b>Voltage Reference Selection</b> $00_B$ Full Voltage with high precision bandgap selected $01_B$ Reduced Voltage with low power reference selected $10_B$ Reserved, done not use this combination $11_B$ Full Voltage with low power reference selected <i>Note: <math>00_B</math> should always be written to this bit field.</i>
<b>LPRDIS</b>	9	rw	<b>Low Power Reference Disable</b> $0_B$ The LPR is enabled $1_B$ The LPR is disabled This bit updates bit EVR1CON0.LPRDIS.
<b>CCDIS</b>	12	rw	<b>Current Control Disable</b> $0_B$ The current control is enabled $1_B$ The current control is disabled This bit updates bit EVR1CON0.CCDIS.

Field	Bits	Type	Description
<b>CSMDDIS</b>	14	rw	<b>Core Supply Mode Detector Disable</b> 0 <sub>B</sub> The core supply mode detector is enabled 1 <sub>B</sub> The core supply mode detector is disabled This bit is updates bit EVR1CON0.CSMDDIS.
<b>EVRDIS</b>	15	rw	<b>EVR_1 Disable</b> 0 <sub>B</sub> The EVR_1 is enabled 1 <sub>B</sub> The EVR_1 is disabled This bit updates bit EVR1CON0.EVRDIS.
<b>0</b>	8, [11:10] 13	rw	<b>Reserved</b> Should be written with 0.

### 6.5.4 Handling the Power System

Using the power system correctly is the key to save power. Depending on the application different operating states can be defined in order to save the maximum about of power. Several options and mechanisms are overed and supported by the XC2000. The following mechanisms can be used to save power:

- Reduction of the system performance
  - the power consumption depends directly from the frequency of the system
  - the system performance is control with the clock operation mechanism
- Stopping single unused peripheral
  - a peripheral not needed for an application can be disabled
  - the module operation is controlled via register MOD\_KSCCFG
- Stopping multiple unused peripherals
  - peripherals not needed for an application can be disabled
  - system peripheral operation is controlled via the Global State Controller (GSC)
- Stopping single unused analog parts
  - an analog part not needed for an application can be stopped
  - the operation is controlled via register either located in the SCU (PLL, OSCs, PVCs, SWD, Temperature Compensation, HP bandgap, and LPR) or the ADC
- Adapting the core voltage level to the application needs
  - lowering the core voltage level for a complete domain gives an additional power saving option that can and should be link with the previous options
  - changes of the core voltage levels of the two core domains are controlled by the Power State Controller (PSC)
  - the Power States define all legal combination of the core voltage level for the two core domains

The transition from one Power State to an other is called power transfer. All power transfers can separated into one of two available basic power transfer:



**Preliminary****System Control Unit (SCU)**

- A Ramp-up Power Transfer
  - this is defined as power transfer with at least one power domain voltage level increasing
- A Ramp-down Power Transfer
  - this is defined as power transfer with at least one power domain voltage level decreasing

*Note: A power transfer where one power domain voltage level increase and the voltage level of the other domain decrease is not defined and forbidden.*

Each power transfer has to be requested by certain triggers. These triggers come from various sources and lead to different transitions which are either pre-defined or user-programmable.

The following triggers are available:

- ESR Pin(s): a specific edge or level has occurred at the ESR pin(s)
- WUT: the wake-up timer within DMP\_M is expired
- Software: the user program writes to the respective control registers in order to initiate a state transition

Additionally there is one additional trigger that generates a power transfer:

- Power-on Reset

In difference to the other triggers the power-on reset simply starts a power transfer based on the reset value of the PSC registers. The power transition itself is also predefined and fix by the reset values of the EVR and PSC registers and lead automatically to the Full Active Mode with the LPR active. Power state I with the HP bandgap is thereafter configured and entered automatically.

*Note: Neither a system reset nor a application reset will trigger a power transfer.*

The different triggers are separated into two different groups:

- Ramp-down triggers that request the transition into a power saving mode that is not power state I
  - Only the software trigger can request a ramp-down
  - The software trigger can be generated by the execution of the IDLE instruction if bit SEQCON.IDLEEN is set
  - The software trigger can be generated by setting bit SEQCON.SEQATRG
- Ramp-up triggers that request the transition out of a power saving mode to Full Active Mode
  - An ESR trigger can request a ramp-up. Synchronous ESR triggers can be used to request a ramp-up from power state F and power state G. Asynchronous ESR can be used to generate triggers for all four power saving modes: power state B, power state C, power state F, and power state G.
  - An ESR trigger can be generated by an ESR event if bit SEQCON.ESRxEN is set

- A wake-up timer event can generate a ramp-up trigger. A wake-up timer trigger can request a ramp-up from the power saving states power state F and power state G only.
- A wake-up timer trigger can be generated by an WUT event if bit SEQCON.WUTEN is set

## **6.5.5 Power State Controller (PSC)**

The Power State Controller (PSC) controls the operation of the EVRs and PVCs and handles changes in the control different values.

### **6.5.5.1 General Overview**

A power state transition implies a change of the core voltages in one or both core supply domains. Each power state transition consists of several steps to de-couple the different phases of the State Transition Sequence (STS). A state transition sequence defines how EVRs and their associated PVCs are controlled and modified when a voltage change is requested from the system.

- Sequence A is used for ramp-down power transfers
- Sequence B is used for ramp-up power transfers

Sequence A; it is invoked if instruction IDLE is executed or a software trigger bit SEQBTRG in register SEQCON is set.

Sequence B; it is invoked if at least one valid wake-up trigger is asserted. If a wake-up trigger is valid (can be recognized) depends on the currently entered power state. For sequence B it is required to be pre-configured by the software when a power saving state is entered where no software can be executed. Sequence B can only started after a sequence A was performed. If no sequence A was performed the trigger for the sequence B is treated as pending as long as a sequence A was performed.

Before a power transition is started all reset triggers that can request a reset have to be disabled to ensure a correct power transition. Reset generation can be disabled by setting RSTCON0 = 0x0000 and RSTCON1 = 0x0000. After the power transition the reset can be enabled again as the application requires. Due to the fact that for the power saving states no software can be executed the resets remain disabled until power state Full Active is entered again. For real emergency reset request that will cause sever system damage when lost, they should be redirected to the PORST pin. Other reset triggers can either be redirected to a trap or the wake-up trigger of the power control system via the ESR pins.

### **6.5.5.2 Sequence Configuration**

Each of the two sequences is built of six configuration data sets defining up to six steps. Each step of the sequence is controlled by its dedicated configuration data set.

Step0 defines the current power state depending if the last transition was done with sequence A or sequence B. Step0 defines the target power state depending on the transition type. The sets 1 to 6 can be used as interim step configurations that are needed for a transition.

At the end of each power state transition the values from the last enabled step are copied to step 0.

### **6.5.5.3 Power State Transition Controlling**

The PSC have to be pre-configured before the transition sequence is started. For a power state transition sequence using sequence B the control registers SEQBSTEPx and PVCyCONBx should be pre-configured for the wake-up transition before the first power state transition is stated.

A transition sequence is started if either the IDLE instruction is executed or a ramp-up trigger is asserted. A transition sequence is only started if no transition is currently running. The transition sequence itself is the controlled by the sequence control registers SEQzCONx.

*Note: With the start of a sequence a trigger for the WUT is generated. Therefore the WUT can be started if configured so ( $WUCR.AON = 1$ ).*

#### **Skipping a Step**

If a step is skipped the next not skipped step is executed without any time penalty. If a step is skipped or not is configured via bit SEQzCONx.SEN.

#### **Stopping the System Clock for a Power Domain**

It is required to stop the system clock for each step that select a different core domain voltage level than the previous step has for a power domain. If the core voltage levels are unchanged the system clock can stay active. If the system clock has to be stopped the PSC requests so and for the continuation the asynchronous event has to be selected.

If the system clock is not stopped synchronous continuation is selected.

If the system clock is stopped asynchronous continuation is selected.

This configuration is ignored if the step is configured to be skipped.

The system clock is enabled again as soon as the selected trigger condition (bit field TRGSEL in the associated register) is valid again. If no trigger was selected ( $TRGSEL = 0000_B$ ) the system clock is not disabled at all.

This feature is controlled via bits SEQzCONx.CLKEN1 and SEQzCONx.CLKENM

## **Connection to the GSC**

In order to stop or activate the operation of peripherals within DMP\_1 the GSC is used. For this purpose the PSCx exit and PSCx entry GSC sources are used (x = sequence A or B). If the system clock should be stopped for domain DMP\_1 the PSCA entry is used to bring all blocks in this domain into a state where the system clock can be stopped. If the system clock should be active for domain DMP\_1 the PSCB exit is used to reactivate the clock system again. Unless disabled via bit SEQCON.GSCBY the entry request is generated at the start of a sequence (before the first step is executed). Unless disabled via bit SEQCON.GSCBY the exit request is generated at the end of a sequence (after the last step is executed).

## **Asynchronous/Synchronous Continuation**

An asynchronous continuation event is defined if both selected PVC OK outputs (from PVC\_M and PVC\_1) match their configured action level.

A synchronous continuation event is defined by the system clock for DMP\_M divided by the value of bit field SEQzSTEPx.SYSDIV. Each time a step is started with the system clock enabled for DMP\_M a synchronous continuation trigger is generated after SYSDIV system clock cycles.

Whenever the required continuation event occurs the next step is executed.

This configuration is ignored if the step is configured to be skipped.

### **6.5.5.4 Trigger Handling during a Power Transition**

A power transition is an atomic operation. This means that it has to be finished before any new active can be performed. Triggers that request an other power transition occurring a currently performed power transition are stored automatically and trigger the next power transition immediately after the currently one is finished.

### **6.5.6 Operating a Power Transfer**

Performing a power transfer requires several steps that need to be executed involving both hardware and software operation. The main operation of each power transfer are the power transitions handled by the PSC. Each power transfer includes exactly two power transitions, one ramp-down followed by one ramp-up.

#### **Preparation**

This phase includes different tasks that are required to prepare the system for the ramp-down and the later ramp-up.

- The sequence control register for both sequences A and B should be configured as needed

- The enable bits for the two power transitions should not be set before all preparations are done in order to avoid a sequence start before the set-up is finished
- The GSC control register should be set up to stop the operations for the ramp-down and restart of the operation with the ramp-up
- The KSCCFG control register of each module should be set up to stop the operations for the ramp-down and restart of the operation with the ramp-up
- The reset generation should be disable by clearing the RSTCON registers
- The global interrupt disable should be set to avoid interrupt operation
- OSC\_WU has to be active
- The wake-up timer should be configured if this trigger is intended as ramp-up trigger
- The ESRx function should be configured if this trigger is intended as ramp-up trigger
- The ESRx pads should be configured if this trigger is intended as ramp-up trigger
- Switch to LPR operation and disable the HP bandgap if required by the application
  - Disabling the HP bandgap for a power saving mode reduces the overall power consumption of this mode
  - Disabling the HP bandgap also disables the flash, therefore all code that has to be executed afterwards till the flash active again has to be copied first to the PSRAM
- Switch off the VCO part of the PLL or the complete PLL
  - Disabling the VCO part or the complete PLL for a power saving mode reduces the overall power consumption of this mode
  - Before disabling the VCO part or the complete PLL a clock source has to be selected that still delivers a system clock after the VCO part or the complete PLL is disabled
- Enable both power sequences just before the IDLE instruction is executed
- Execute the IDLE instruction
  - The execution of the IDLE instruction starts the sequence A for the ramp-down

### **6.5.6.1 Generic Ramp-down Scenario**

The following scenario shows the ramp-down flow for a better understanding.

Both thresholds are located below the current supply voltage. If the voltage falls below the higher threshold of the PVC, a warning interrupt can be generated (undershoot warning). If the voltage falls also below the lower threshold LEV1, a reset of this core supply domain can be generated.

1. Stop the system operation of the peripherals via the GSC
2. Switch the power supply of the EVRs from the HP bandgap to the LPR if the HP bandgap is currently used
3. Start sequence A: Both threshold levels are changed. The reset level is changed to the new target value - 100 mV and the old interrupt level is changed to the new target level + 200 mV.

4. Step two is performing the real voltage transition. The voltage levels of the power domain is changed to the new value. Threshold level 2 is used as asynchronous trigger to continue the sequence when the power is below the threshold level.
5. The core supply voltage reaches the new target level. The interrupt and reset threshold levels are setup again.

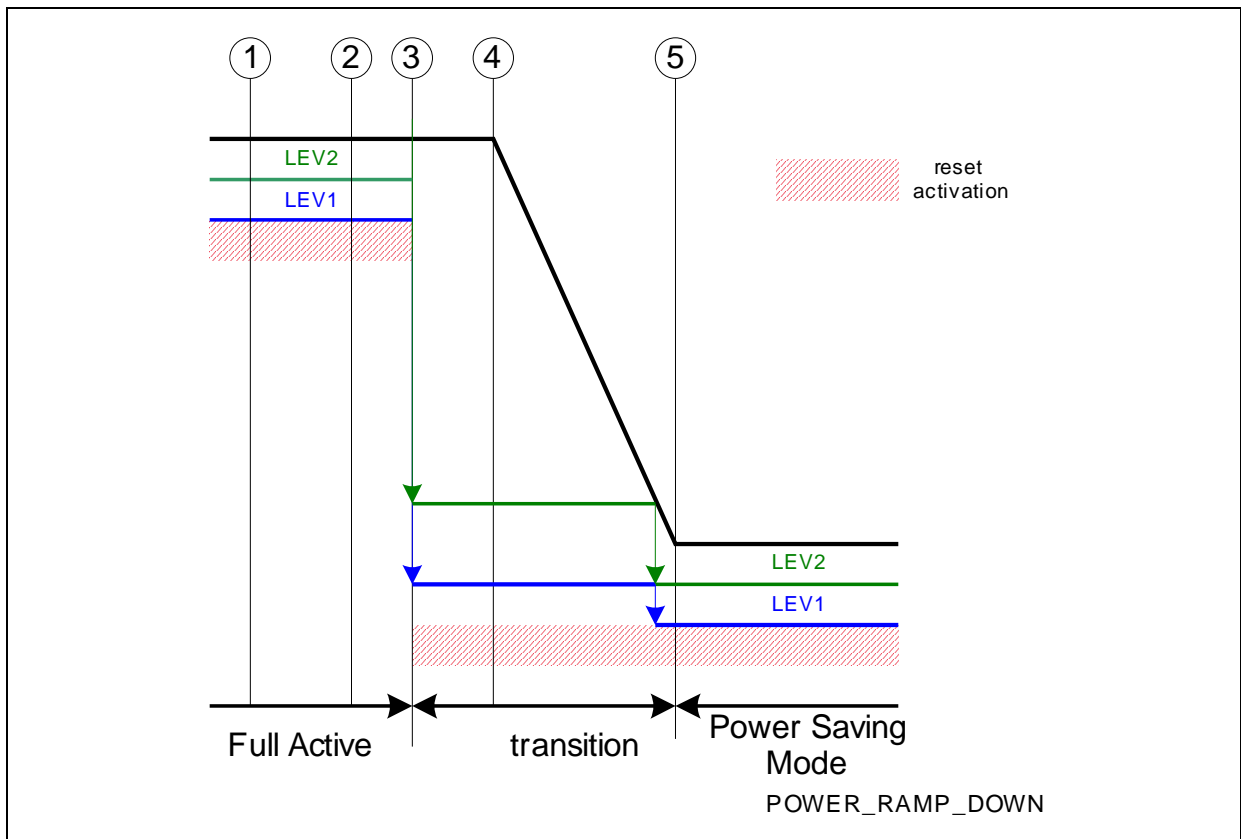


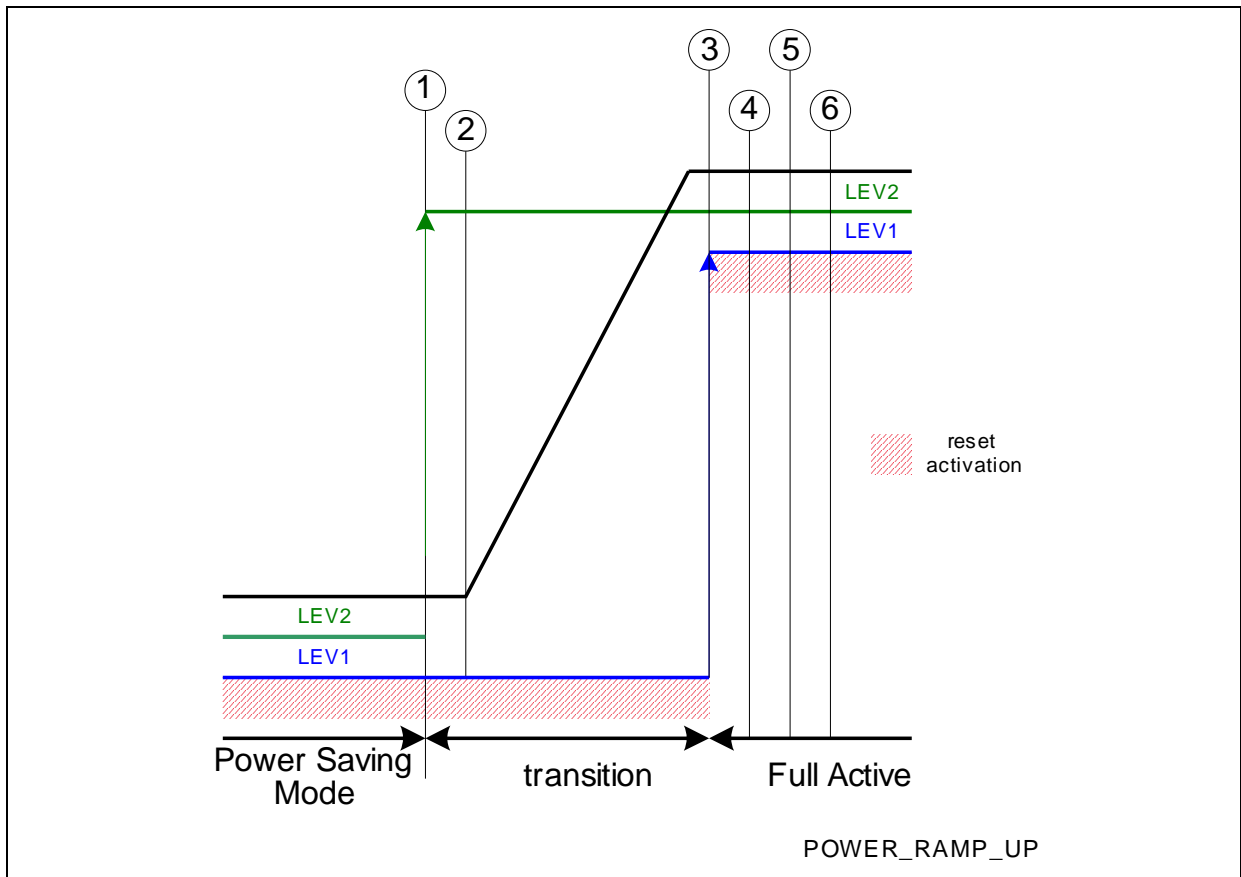
Figure 6-28 Ramp-down Example

### 6.5.6.2 Generic Ramp-up Scenario

Both thresholds are located below the current supply voltage. If the voltage falls below the higher threshold of the PVC, a warning interrupt can be generated (undershoot warning). If the voltage falls also below the lower threshold LEV1, a reset of this core supply domain can be generated.

1. The higher threshold level (LEV2) is changed and therefore deactivated. It is changed to the lower target threshold level for the new target core supply voltage. The level should be selected in the range of - 100 mV of the target voltage.
2. Step two is performing the real voltage transition. The voltage levels of the power domain is changed to the new value. Threshold level 2 is used as asynchronous trigger to continue the sequence when the power is above the threshold level.

3. The core supply voltage reaches the new target level. The new core supply voltage has reached a level where the system clock can safely be activated again. The interrupt and reset threshold levels are setup again.
4. The interrupt / trap resulting out of the ramp-up trigger reactivates the CPU from IDLE Mode
5. The GSC reactivates the system operation of the peripherals
6. The power supply of the EVRs is switched back from the LPR to the HP bandgap and the flash becomes active again



**Figure 6-29 Ramp-up Example**

## 6.5.7 Power Control Registers

### 6.5.7.1 PSC Status and Control Registers

#### SEQCON

#### Sequence Control Register

SFR (FEE4<sub>H</sub>/72<sub>H</sub>)

Reset Value: 8004<sub>H</sub>

15	14	13	12	11	10	9	8	7	6	5	4	3	2	1	0
GSC BY	SEQ BOS CDIS	SEQ AOS CDIS	0	ESR 2 EN	ESR 1 EN	ESR 0 EN	WUT EN		0		IDLE EN	SEQ B EN	SEQ A EN	0	SEQ A TRG
rw	rw	rw	r	rw	rw	rw	rw		r		rw	rwh	rwh	r	w

Field	Bits	Type	Description
SEQATRГ	0	w	<b>Sequence A Trigger</b> Setting this bit trigger a power transition defined by sequence A 0 <sub>B</sub> No action 1 <sub>B</sub> Sequence A is started Sequence A is only started if Sequence B is not currently active. This bit is automatically cleared and always read as zero.
SEQAEN	2	rwh	<b>Sequence A Enable</b> 0 <sub>B</sub> Sequence A is never started 1 <sub>B</sub> Sequence A is started if requested Sequence A is only started if Sequence B is not currently active. This bit is automatically cleared after the sequence was started.
SEQBEN	3	rwh	<b>Sequence B Enable</b> 0 <sub>B</sub> Sequence B is never started 1 <sub>B</sub> Sequence B is started if requested Sequence B is only started if Sequence A is not currently active. This bit is automatically cleared after the sequence was started.



Field	Bits	Type	Description
<b>IDLEEN</b>	4	rw	<p><b>IDLE Trigger Enable</b> This bit defines if the IDLE instruction can trigger sequence A or not.</p> <p>0<sub>B</sub> Sequence A is never triggered by the IDLE instruction</p> <p>1<sub>B</sub> Sequence A is triggered by the IDLE instruction</p>
<b>WUTEN</b>	8	rw	<p><b>WUT Trigger Enable</b> This bit defines if an WUT event can trigger sequence B or not.</p> <p>0<sub>B</sub> Sequence B is never triggered by an WUT event</p> <p>1<sub>B</sub> Sequence B is triggered by WUT event</p>
<b>ESR0EN</b>	9	rw	<p><b>ESR0 Trigger Enable</b> This bit defines if an ESR0 event can trigger sequence B or not.</p> <p>0<sub>B</sub> Sequence B is never triggered by an <math>\overline{\text{ESR0}}</math> event</p> <p>1<sub>B</sub> Sequence B is triggered by <math>\overline{\text{ESR0}}</math> event</p>
<b>ESR1EN</b>	10	rw	<p><b>ESR1 Trigger Enable</b> This bit defines if an <math>\overline{\text{ESR1}}</math> event can trigger sequence B or not.</p> <p>0<sub>B</sub> Sequence B is never triggered by an <math>\overline{\text{ESR1}}</math> event</p> <p>1<sub>B</sub> Sequence B is triggered by <math>\overline{\text{ESR1}}</math> event</p>
<b>ESR2EN</b>	11	rw	<p><b>ESR2 Trigger Enable</b> This bit defines if an <math>\overline{\text{ESR2}}</math> event can trigger sequence B or not.</p> <p>0<sub>B</sub> Sequence B is never triggered by an <math>\overline{\text{ESR2}}</math> event</p> <p>1<sub>B</sub> Sequence B is triggered by <math>\overline{\text{ESR2}}</math> event</p>
<b>SEQAOSCEN</b>	13	rw	<p><b>Sequence A OSC_WU Enable</b> This bit defines if the OSC_WU is enabled with the end of the sequence A.</p> <p>0<sub>B</sub> The enable setting for OSC_WU is left unchanged</p> <p>1<sub>B</sub> OSC_WU is disabled</p>

Field	Bits	Type	Description
<b>SEQBOSCEN</b>	14	rw	<b>Sequence B OSC_WU Enable</b> This bit defines if the OSC_WU is enabled with the end of the sequence B. 0 <sub>B</sub> The enable setting for OSC_WU is left unchanged 1 <sub>B</sub> OSC_WU is disabled
<b>GSCBY</b>	15	rw	<b>GSC Bypass</b> This bit defines if an PSC event can trigger GSC action or not. 0 <sub>B</sub> The normal GSC action is requested 1 <sub>B</sub> No GSC action is started
<b>0</b>	1,[7:5], 12	r	<b>Reserved</b> Read as 0; should be written with 0.

**STEP0**

**Step 0 Register**

**SFR (FEF2<sub>H</sub>/79<sub>H</sub>)**

**Reset Value: C063<sub>H</sub>**

15	14	13	12	11	10	9	8	7	6	5	4	3	2	1	0
1	PVC 1 OFF	PVC M OFF	SYS DIV	TRGSEL			CLK EN1	CLK ENM	V1			VM			
rwh	rwh	rwh	rwh	rwh			rwh	rwh	rwh			rwh			

Field	Bits	Type	Description
<b>VM</b>	[2:0]	rwh	<b>DMP_M Voltage Configuration</b> This bit defines the DMP_M core supply voltage that is requested from EVR_M. 000 <sub>B</sub> Full Voltage with HP bandgap selected 001 <sub>B</sub> Reduced Voltage with LPR selected 010 <sub>B</sub> Reserved, do not use this combination 011 <sub>B</sub> Full Voltage with LPR selected 100 <sub>B</sub> Off is configured 101 <sub>B</sub> Off is configured 110 <sub>B</sub> Off is configured 111 <sub>B</sub> Off is configured

Field	Bits	Type	Description
V1	[5:3]	rwh	<p><b>DMP_1 Voltage Configuration</b> This bit defines the DMP_1 core supply voltage that is requested from EVR_1.</p> <p>000<sub>B</sub> Full Voltage with HP bandgap selected. If DMP_1 was not powered before this is not changed and only the EVR configuration is changed.</p> <p>001<sub>B</sub> Reduced Voltage with LPR selected. If DMP_1 was not powered before this is not changed and only the EVR configuration is changed.</p> <p>010<sub>B</sub> Reserved, do not use this combination</p> <p>011<sub>B</sub> Full Voltage with LPR selected. If DMP_1 was not powered before this is not changed and only the EVR configuration is changed.</p> <p>100<sub>B</sub> Off is configured, all clocks in the DMP_1 are disabled and DMP_1 is not longer powered</p> <p>101<sub>B</sub> Configuration is unchanged reading returns last configured value out of 000<sub>B</sub>, 001<sub>B</sub>, 010<sub>B</sub>, 011<sub>B</sub>, or 100<sub>B</sub> but DMP_1 is powered with EVR_1 configuration</p> <p>110<sub>B</sub> Configuration is unchanged reading returns last configured value out of 000<sub>B</sub>, 001<sub>B</sub>, 010<sub>B</sub>, 011<sub>B</sub>, or 100<sub>B</sub>, all clocks in the DMP_1 are enabled</p> <p>111<sub>B</sub> Configuration is unchanged reading returns last configured value out of 000<sub>B</sub>, 001<sub>B</sub>, 010<sub>B</sub>, 011<sub>B</sub>, or 100<sub>B</sub>, all clocks in the DMP_1 are disabled</p>
CLKENM	6	rwh	<p><b>System Clock Enable for DMP_M</b> This bit defines the system clock have to be stopped for DMP_M.</p> <p>0<sub>B</sub> System clock for DMP_M is stopped</p> <p>1<sub>B</sub> System clock for DMP_M is running</p>
CLKEN1	7	rwh	<p><b>System Clock Enable for DMP_1</b> This bit defines the system clock have to be stopped for DMP_1.</p> <p>0<sub>B</sub> System clock for DMP_1 is stopped</p> <p>1<sub>B</sub> System clock for DMP_1 is running</p>

Field	Bits	Type	Description
<b>TRGSEL</b>	[11:8]	rwh	<p><b>Trigger Selection</b> This bit field defines the which of the four possible OK outputs from both PVCs are used for validating the power transition.</p> <p>0000<sub>B</sub> Non of the outputs is used            0001<sub>B</sub> OK 1 from PVC_M is used            0010<sub>B</sub> OK 2 from PVC_M is used            0011<sub>B</sub> OK 1 from PVC_M AND OK 2 from PVC_M is used            0100<sub>B</sub> OK 1 from PVC_1 is used            0101<sub>B</sub> OK 1 from PVC_M AND OK 1 from PVC_1 is used            0110<sub>B</sub> OK 2 from PVC_M AND OK 1 from PVC_1 is used            0111<sub>B</sub> OK 1 from PVC_M AND OK 2 from PVC_M AND OK 1 from PVC_1 is used            1000<sub>B</sub> OK 2 from PVC_1 is used            1001<sub>B</sub> OK 1 from PVC_M AND OK 2 from PVC_1 is used            1010<sub>B</sub> OK 2 from PVC_M AND OK 2 from PVC_1 is used            1011<sub>B</sub> OK 1 from PVC_M AND OK 2 from PVC_M AND OK 2 from PVC_1 is used            1100<sub>B</sub> OK 1 from PVC_1 AND OK 2 from PVC_1 is used            1101<sub>B</sub> OK 1 from PVC_M AND OK 1 from PVC_1 AND OK 2 from PVC_1 is used            1110<sub>B</sub> OK 2 from PVC_M AND OK 1 from PVC_1 AND OK2 from PVC_1 is used            1111<sub>B</sub> OK 1 from PVC_M AND OK 2 from PVC_M AND OK 1 from PVC_1 AND OK2 from PVC_1 is used</p>
<b>SYSDIV</b>	12	rwh	<p><b>System Clock Divider</b> This bit defines the number of system clock cycles <math>f_{SYS}</math> before the sequence is continued.</p> <p>0<sub>B</sub> The sequence is continued after 1 <math>f_{SYS}</math> cycles            1<sub>B</sub> The sequence is continued after 64 <math>f_{SYS}</math> cycles</p>

Field	Bits	Type	Description
<b>PVCMOFF</b>	13	rwh	<b>PVC_M Disabled</b> This bit defines whether the PVC_M generates any valid check results or not. The PVC_M can be disabled in order to save power. 0 <sub>B</sub> The PVC_M is enabled and delivers valid results 1 <sub>B</sub> The PVC_M is disabled and deliver no valid results
<b>PVC1OFF</b>	14	rwh	<b>PVC_1 Disabled</b> This bit defines whether the PVC_1 generates any valid check results or not. The PVC_1 can be disabled in order to save power. 0 <sub>B</sub> The PVC_1 is enabled and delivers valid results 1 <sub>B</sub> The PVC_1 is disabled and deliver no valid results
<b>1</b>	15	rwh	<b>Reserved</b> Read as 1; should be written with 1. This bit is updated by the SEN bit of the sequence registers.

**SEQASTEP1**

**Sequence Step 1 for Set A Register**

**SFR (FEE6<sub>H</sub>/73<sub>H</sub>)**

**Reset Value: 0000<sub>H</sub>**

15	14	13	12	11	10	9	8	7	6	5	4	3	2	1	0
<b>SEN</b>	<b>PVC 1 OFF</b>	<b>PVC M OFF</b>	<b>SYS DIV</b>	<b>TRGSEL</b>			<b>CLK EN1</b>	<b>CLK ENM</b>	<b>V1</b>			<b>VM</b>			
rw	rw	rw	rw	rw			rw	rw	rw			rw			

Field	Bits	Type	Description
VM	[2:0]	rw	<p><b>DMP_M Voltage Configuration</b> This bit defines the DMP_M core supply voltage that is requested with this step from EVR_M.</p> <p>000<sub>B</sub> Full Voltage with HP bandgap selected            001<sub>B</sub> Reduced Voltage with LPR selected            010<sub>B</sub> Reserved, do not use this combination            011<sub>B</sub> Full Voltage with LPR selected            100<sub>B</sub> Off is configured            101<sub>B</sub> Off is configured            110<sub>B</sub> Off is configured            111<sub>B</sub> Off is configured</p>
V1	[5:3]	rw	<p><b>DMP_1 Voltage Configuration</b> This bit defines the DMP_1 core supply voltage that is requested from EVR_1.</p> <p>000<sub>B</sub> Full Voltage with HP bandgap selected. If DMP_1 was not powered before this is not changed and only the EVR configuration is changed.            001<sub>B</sub> Reduced Voltage with LPR selected. If DMP_1 was not powered before this is not changed and only the EVR configuration is changed.            010<sub>B</sub> Reserved, do not use this combination            011<sub>B</sub> Full Voltage with LPR selected. If DMP_1 was not powered before this is not changed and only the EVR configuration is changed.            100<sub>B</sub> Off is configured, all clocks in the DMP_1 are disabled and DMP_1 is not longer powered            101<sub>B</sub> Configuration is unchanged reading returns last configured value out of 000<sub>B</sub>, 001<sub>B</sub>, 010<sub>B</sub>, 011<sub>B</sub>, or 100<sub>B</sub> but DMP_1 is powered with EVR_1 configuration            110<sub>B</sub> Configuration is unchanged reading returns last configured value out of 000<sub>B</sub>, 001<sub>B</sub>, 010<sub>B</sub>, 011<sub>B</sub>, or 100<sub>B</sub>, all clocks in the DMP_1 are enabled            111<sub>B</sub> Configuration is unchanged reading returns last configured value out of 000<sub>B</sub>, 001<sub>B</sub>, 010<sub>B</sub>, 011<sub>B</sub>, or 100<sub>B</sub>, all clocks in the DMP_1 are disabled</p>

Field	Bits	Type	Description
<b>CLKENM</b>	6	rw	<p><b>System Clock Enable for DMP_M</b>            This bit defines the system clock have to be stopped till the next step or not for DMP_M.</p> <p>0<sub>B</sub> System clock for DMP_M is stopped            1<sub>B</sub> System clock for DMP_M is running</p>
<b>CLKEN1</b>	7	rw	<p><b>System Clock Enable for DMP_1</b>            This bit defines the system clock have to be stopped till the next step or not for DMP_1.</p> <p>0<sub>B</sub> System clock for DMP_1 is stopped            1<sub>B</sub> System clock for DMP_1 is running</p>

Field	Bits	Type	Description
<b>TRGSEL</b>	[11:8]	rw	<p><b>Trigger Selection</b> This bit field defines the which of the four possible OK outputs from both PVCs are used for validating the power transition.</p> <p>0000<sub>B</sub> Non of the outputs is used            0001<sub>B</sub> OK 1 from PVC_M is used            0010<sub>B</sub> OK 2 from PVC_M is used            0011<sub>B</sub> OK 1 from PVC_M AND OK 2 from PVC_M is used            0100<sub>B</sub> OK 1 from PVC_1 is used            0101<sub>B</sub> OK 1 from PVC_M AND OK 1 from PVC_1 is used            0110<sub>B</sub> OK 2 from PVC_M AND OK 1 from PVC_1 is used            0111<sub>B</sub> OK 1 from PVC_M AND OK 2 from PVC_M AND OK 1 from PVC_1 is used            1000<sub>B</sub> OK 2 from PVC_1 is used            1001<sub>B</sub> OK 1 from PVC_M AND OK 2 from PVC_1 is used            1010<sub>B</sub> OK 2 from PVC_M AND OK 2 from PVC_1 is used            1011<sub>B</sub> OK 1 from PVC_M AND OK 2 from PVC_M AND OK 2 from PVC_1 is used            1100<sub>B</sub> OK 1 from PVC_1 AND OK 2 from PVC_1 is used            1101<sub>B</sub> OK 1 from PVC_M AND OK 1 from PVC_1 AND OK 2 from PVC_1 is used            1110<sub>B</sub> OK 2 from PVC_M AND OK 1 from PVC_1 AND OK2 from PVC_1 is used            1111<sub>B</sub> OK 1 from PVC_M AND OK 2 from PVC_M AND OK 1 from PVC_1 AND OK2 from PVC_1 is used</p>
<b>SYSDIV</b>	12	rw	<p><b>System Clock Divider</b> This bit defines the number of system clock cycles <math>f_{SYS}</math> before the sequence is continued.</p> <p>0<sub>B</sub> The sequence is continued after 1 <math>f_{SYS}</math> cycles            1<sub>B</sub> The sequence is continued after 64 <math>f_{SYS}</math> cycles</p>



Field	Bits	Type	Description
<b>PVCMOFF</b>	13	rw	<p><b>PVC_M Disabled</b> This bit defines whether the PVC generates any valid check results or not for this step. The PVC can be disabled in order to save power.</p> <p>0<sub>B</sub> The PVC_M is enabled and delivers valid results</p> <p>1<sub>B</sub> The PVC_M is disabled and deliver no valid results</p>
<b>PVC1OFF</b>	14	rw	<p><b>PVC_1 Disabled</b> This bit defines whether the PVC generates any valid check results or not for this step. The PVC can be disabled in order to save power.</p> <p>0<sub>B</sub> The PVC_1 is enabled and delivers valid results</p> <p>1<sub>B</sub> The PVC_1 is disabled and deliver no valid results</p>
<b>SEN</b>	15	rw	<p><b>Step Enable</b> This bit defines the operation that is connected with step n of the transition is skipped or not.</p> <p>0<sub>B</sub> Step is skipped</p> <p>1<sub>B</sub> Step is executed</p>

**SEQASTEP2**

Sequence Step 2 for Set A Register

SFR (FEE8<sub>H</sub>/74<sub>H</sub>)

Reset Value: 0000<sub>H</sub>

**SEQASTEP3**

Sequence Step 3 for Set A Register

SFR (FEEA<sub>H</sub>/75<sub>H</sub>)

Reset Value: 0000<sub>H</sub>

**SEQASTEP4**

Sequence Step 4 for Set A Register

SFR (FEEC<sub>H</sub>/76<sub>H</sub>)

Reset Value: 0000<sub>H</sub>

**SEQASTEP5**

Sequence Step 5 for Set A Register

SFR (FEEE<sub>H</sub>/77<sub>H</sub>)

Reset Value: 0000<sub>H</sub>

**SEQASTEP6**

Sequence Step 6 for Set A Register

SFR (FEF0<sub>H</sub>/78<sub>H</sub>)

Reset Value: 0000<sub>H</sub>

15	14	13	12	11	10	9	8	7	6	5	4	3	2	1	0
SEN	PVC 1 OFF	PVC M OFF	SYS DIV	TRGSEL			CLK EN1	CLK ENM	V1			VM			
rw	rw	rw	rw	rw			rw	rw	rw			rw			

Field	Bits	Type	Description
VM	[2:0]	rw	<p><b>DMP_M Voltage Configuration</b></p> <p>This bit defines the DMP_M core supply voltage that is requested with this step from EVR_M.</p> <p>000<sub>B</sub> Full Voltage with HP bandgap selected</p> <p>001<sub>B</sub> Reduced Voltage with LPR selected</p> <p>010<sub>B</sub> Reserved, do not use this combination</p> <p>011<sub>B</sub> Full Voltage with LPR selected</p> <p>100<sub>B</sub> Off is configured</p> <p>101<sub>B</sub> Off is configured</p> <p>110<sub>B</sub> Off is configured</p> <p>111<sub>B</sub> Off is configured</p>

Field	Bits	Type	Description
V1	[5:3]	rw	<p><b>DMP_1 Voltage Configuration</b> This bit defines the DMP_1 core supply voltage that is requested from EVR_1.</p> <p>000<sub>B</sub> Full Voltage with HP bandgap selected. If DMP_1 was not powered before this is not changed and only the EVR configuration is changed.</p> <p>001<sub>B</sub> Reduced Voltage with LPR selected. If DMP_1 was not powered before this is not changed and only the EVR configuration is changed.</p> <p>010<sub>B</sub> Reserved, do not use this combination</p> <p>011<sub>B</sub> Full Voltage with LPR selected. If DMP_1 was not powered before this is not changed and only the EVR configuration is changed.</p> <p>100<sub>B</sub> Off is configured, all clocks in the DMP_1 are disabled and DMP_1 is not longer powered</p> <p>101<sub>B</sub> Configuration is unchanged reading returns last configured value out of 000<sub>B</sub>, 001<sub>B</sub>, 010<sub>B</sub>, 011<sub>B</sub>, or 100<sub>B</sub> but DMP_1 is powered with EVR_1 configuration</p> <p>110<sub>B</sub> Configuration is unchanged reading returns last configured value out of 000<sub>B</sub>, 001<sub>B</sub>, 010<sub>B</sub>, 011<sub>B</sub>, or 100<sub>B</sub>, all clocks in the DMP_1 are enabled</p> <p>111<sub>B</sub> Configuration is unchanged reading returns last configured value out of 000<sub>B</sub>, 001<sub>B</sub>, 010<sub>B</sub>, 011<sub>B</sub>, or 100<sub>B</sub>, all clocks in the DMP_1 are disabled</p>
CLKENM	6	rw	<p><b>System Clock Enable for DMP_M</b> This bit defines the system clock have to be stopped till the next step or not for DMP_M.</p> <p>0<sub>B</sub> System clock for DMP_M is stopped</p> <p>1<sub>B</sub> System clock for DMP_M is running</p>
CLKEN1	7	rw	<p><b>System Clock Enable for DMP_1</b> This bit defines the system clock have to be stopped till the next step or not for DMP_1.</p> <p>0<sub>B</sub> System clock for DMP_1 is stopped</p> <p>1<sub>B</sub> System clock for DMP_1 is running</p>

Field	Bits	Type	Description
<b>TRGSEL</b>	[11:8]	rw	<p><b>Trigger Selection</b> This bit field defines the which of the four possible OK outputs from both PVCs are used for validating the power transition.</p> <p>0000<sub>B</sub> Non of the outputs is used            0001<sub>B</sub> OK 1 from PVC_M is used            0010<sub>B</sub> OK 2 from PVC_M is used            0011<sub>B</sub> OK 1 from PVC_M AND OK 2 from PVC_M is used            0100<sub>B</sub> OK 1 from PVC_1 is used            0101<sub>B</sub> OK 1 from PVC_M AND OK 1 from PVC_1 is used            0110<sub>B</sub> OK 2 from PVC_M AND OK 1 from PVC_1 is used            0111<sub>B</sub> OK 1 from PVC_M AND OK 2 from PVC_M AND OK 1 from PVC_1 is used            1000<sub>B</sub> OK 2 from PVC_1 is used            1001<sub>B</sub> OK 1 from PVC_M AND OK 2 from PVC_1 is used            1010<sub>B</sub> OK 2 from PVC_M AND OK 2 from PVC_1 is used            1011<sub>B</sub> OK 1 from PVC_M AND OK 2 from PVC_M AND OK 2 from PVC_1 is used            1100<sub>B</sub> OK 1 from PVC_1 AND OK 2 from PVC_1 is used            1101<sub>B</sub> OK 1 from PVC_M AND OK 1 from PVC_1 AND OK 2 from PVC_1 is used            1110<sub>B</sub> OK 2 from PVC_M AND OK 1 from PVC_1 AND OK2 from PVC_1 is used            1111<sub>B</sub> OK 1 from PVC_M AND OK 2 from PVC_M AND OK 1 from PVC_1 AND OK2 from PVC_1 is used</p>
<b>SYSDIV</b>	12	rw	<p><b>System Clock Divider</b> This bit defines the number of system clock cycles <math>f_{SYS}</math> before the sequence is continued.</p> <p>0<sub>B</sub> The sequence is continued after 1 <math>f_{SYS}</math> cycles            1<sub>B</sub> The sequence is continued after 64 <math>f_{SYS}</math> cycles</p>

Field	Bits	Type	Description
<b>PVCMOFF</b>	13	rw	<b>PVC_M Disabled</b> This bit defines whether the PVC generates any valid check results or not for this step. The PVC can be disabled in order to save power. 0 <sub>B</sub> The PVC_M is enabled and delivers valid results 1 <sub>B</sub> The PVC_M is disabled and deliver no valid results
<b>PVC1OFF</b>	14	rw	<b>PVC_1 Disabled</b> This bit defines whether the PVC generates any valid check results or not for this step. The PVC can be disabled in order to save power. 0 <sub>B</sub> The PVC_1 is enabled and delivers valid results 1 <sub>B</sub> The PVC_1 is disabled and deliver no valid results
<b>SEN</b>	15	rw	<b>Step Enable</b> This bit defines the operation that is connected with step n of the transition is skipped or not. 0 <sub>B</sub> Step is skipped 1 <sub>B</sub> Step is executed

**SEQBSTEP1**

**Sequence Step 1 for Set B Register**

**SFR (FEF4<sub>H</sub>/7A<sub>H</sub>)**

**Reset Value: 88DB<sub>H</sub>**

15	14	13	12	11	10	9	8	7	6	5	4	3	2	1	0
<b>SEN</b>	<b>PVC 1 OFF</b>	<b>PVC M OFF</b>	<b>SYS DIV</b>	<b>TRGSEL</b>			<b>CLK EN1</b>	<b>CLK ENM</b>	<b>V1</b>			<b>VM</b>			
rw	rw	rw	rw	rw			rw	rw	rw			rw			

Field	Bits	Type	Description
VM	[2:0]	rw	<p><b>DMP_M Voltage Configuration</b> This bit defines the DMP_M core supply voltage that is requested with this step from EVR_M.</p> <p>000<sub>B</sub> Full Voltage with HP bandgap selected            001<sub>B</sub> Reduced Voltage with LPR selected            010<sub>B</sub> Reserved, do not use this combination            011<sub>B</sub> Full Voltage with LPR selected            100<sub>B</sub> Off is configured            101<sub>B</sub> Off is configured            110<sub>B</sub> Off is configured            111<sub>B</sub> Off is configured</p>
V1	[5:3]	rw	<p><b>DMP_1 Voltage Configuration</b> This bit defines the DMP_1 core supply voltage that is requested from EVR_1.</p> <p>000<sub>B</sub> Full Voltage with HP bandgap selected. If DMP_1 was not powered before this is not changed and only the EVR configuration is changed.            001<sub>B</sub> Reduced Voltage with LPR selected. If DMP_1 was not powered before this is not changed and only the EVR configuration is changed.            010<sub>B</sub> Reserved, do not use this combination            011<sub>B</sub> Full Voltage with LPR selected. If DMP_1 was not powered before this is not changed and only the EVR configuration is changed.            100<sub>B</sub> Off is configured, all clocks in the DMP_1 are disabled and DMP_1 is not longer powered            101<sub>B</sub> Configuration is unchanged reading returns last configured value out of 000<sub>B</sub>, 001<sub>B</sub>, 010<sub>B</sub>, 011<sub>B</sub>, or 100<sub>B</sub> but DMP_1 is powered with EVR_1 configuration            110<sub>B</sub> Configuration is unchanged reading returns last configured value out of 000<sub>B</sub>, 001<sub>B</sub>, 010<sub>B</sub>, 011<sub>B</sub>, or 100<sub>B</sub>, all clocks in the DMP_1 are enabled            111<sub>B</sub> Configuration is unchanged reading returns last configured value out of 000<sub>B</sub>, 001<sub>B</sub>, 010<sub>B</sub>, 011<sub>B</sub>, or 100<sub>B</sub>, all clocks in the DMP_1 are disabled</p>

Field	Bits	Type	Description
<b>CLKENM</b>	6	rw	<p><b>System Clock Enable for DMP_M</b>            This bit defines the system clock have to be stopped till the next step or not for DMP_M.</p> <p>0<sub>B</sub> System clock for DMP_M is stopped            1<sub>B</sub> System clock for DMP_M is running</p>
<b>CLKEN1</b>	7	rw	<p><b>System Clock Enable for DMP_1</b>            This bit defines the system clock have to be stopped till the next step or not for DMP_1.</p> <p>0<sub>B</sub> System clock for DMP_1 is stopped            1<sub>B</sub> System clock for DMP_1 is running</p>

Field	Bits	Type	Description
<b>TRGSEL</b>	[11:8]	rw	<p><b>Trigger Selection</b> This bit field defines the which of the four possible OK outputs from both PVCs are used for validating the power transition.</p> <p>0000<sub>B</sub> Non of the outputs is used            0001<sub>B</sub> OK 1 from PVC_M is used            0010<sub>B</sub> OK 2 from PVC_M is used            0011<sub>B</sub> OK 1 from PVC_M AND OK 2 from PVC_M is used            0100<sub>B</sub> OK 1 from PVC_1 is used            0101<sub>B</sub> OK 1 from PVC_M AND OK 1 from PVC_1 is used            0110<sub>B</sub> OK 2 from PVC_M AND OK 1 from PVC_1 is used            0111<sub>B</sub> OK 1 from PVC_M AND OK 2 from PVC_M AND OK 1 from PVC_1 is used            1000<sub>B</sub> OK 2 from PVC_1 is used            1001<sub>B</sub> OK 1 from PVC_M AND OK 2 from PVC_1 is used            1010<sub>B</sub> OK 2 from PVC_M AND OK 2 from PVC_1 is used            1011<sub>B</sub> OK 1 from PVC_M AND OK 2 from PVC_M AND OK 2 from PVC_1 is used            1100<sub>B</sub> OK 1 from PVC_1 AND OK 2 from PVC_1 is used            1101<sub>B</sub> OK 1 from PVC_M AND OK 1 from PVC_1 AND OK 2 from PVC_1 is used            1110<sub>B</sub> OK 2 from PVC_M AND OK 1 from PVC_1 AND OK2 from PVC_1 is used            1111<sub>B</sub> OK 1 from PVC_M AND OK 2 from PVC_M AND OK 1 from PVC_1 AND OK2 from PVC_1 is used</p>
<b>SYSDIV</b>	12	rw	<p><b>System Clock Divider</b> This bit defines the number of system clock cycles <math>f_{SYS}</math> before the sequence is continued.</p> <p>0<sub>B</sub> The sequence is continued after 1 <math>f_{SYS}</math> cycles            1<sub>B</sub> The sequence is continued after 64 <math>f_{SYS}</math> cycles</p>



Field	Bits	Type	Description
<b>PVCMOFF</b>	13	rw	<p><b>PVC_M Disabled</b> This bit defines whether the PVC generates any valid check results or not for this step. The PVC can be disabled in order to save power.</p> <p>0<sub>B</sub> The PVC_M is enabled and delivers valid results</p> <p>1<sub>B</sub> The PVC_M is disabled and deliver no valid results</p>
<b>PVC1OFF</b>	14	rw	<p><b>PVC_1 Disabled</b> This bit defines whether the PVC generates any valid check results or not for this step. The PVC can be disabled in order to save power.</p> <p>0<sub>B</sub> The PVC_1 is enabled and delivers valid results</p> <p>1<sub>B</sub> The PVC_1 is disabled and deliver no valid results</p>
<b>SEN</b>	15	rw	<p><b>Step Enable</b> This bit defines the operation that is connected with step n of the transition is skipped or not.</p> <p>0<sub>B</sub> Step is skipped</p> <p>1<sub>B</sub> Step is executed</p>

**SEQBSTEP2**

Sequence Step 2 for Set B Register

SFR (FEF6<sub>H</sub>/7B<sub>H</sub>)

Reset Value: 80EB<sub>H</sub>

**SEQBSTEP3**

Sequence Step 3 for Set B Register

SFR (FEF8<sub>H</sub>/7C<sub>H</sub>)

Reset Value: 80F3<sub>H</sub>

**SEQBSTEP4**

Sequence Step 4 for Set B Register

SFR (FEFA<sub>H</sub>/7D<sub>H</sub>)

Reset Value: 0000<sub>H</sub>

**SEQBSTEP5**

Sequence Step 5 for Set B Register

SFR (FEFC<sub>H</sub>/7E<sub>H</sub>)

Reset Value: 0000<sub>H</sub>

**SEQBSTEP6**

Sequence Step 6 for Set B Register

SFR (FEFE<sub>H</sub>/7F<sub>H</sub>)

Reset Value: 0000<sub>H</sub>

15	14	13	12	11	10	9	8	7	6	5	4	3	2	1	0
SEN	PVC 1 OFF	PVC M OFF	SYS DIV	TRGSEL			CLK EN1	CLK ENM	V1			VM			
rw	rw	rw	rw	rw			rw	rw	rw			rw			

Field	Bits	Type	Description
VM	[2:0]	rw	<p><b>DMP_M Voltage Configuration</b></p> <p>This bit defines the DMP_M core supply voltage that is requested with this step from EVR_M.</p> <p>000<sub>B</sub> Full Voltage with HP bandgap selected</p> <p>001<sub>B</sub> Reduced Voltage with LPR selected</p> <p>010<sub>B</sub> Reserved, do not use this combination</p> <p>011<sub>B</sub> Full Voltage with LPR selected</p> <p>100<sub>B</sub> Off is configured</p> <p>101<sub>B</sub> Off is configured</p> <p>110<sub>B</sub> Off is configured</p> <p>111<sub>B</sub> Off is configured</p>

Field	Bits	Type	Description
V1	[5:3]	rw	<p><b>DMP_1 Voltage Configuration</b> This bit defines the DMP_1 core supply voltage that is requested from EVR_1.</p> <p>000<sub>B</sub> Full Voltage with HP bandgap selected. If DMP_1 was not powered before this is not changed and only the EVR configuration is changed.</p> <p>001<sub>B</sub> Reduced Voltage with LPR selected. If DMP_1 was not powered before this is not changed and only the EVR configuration is changed.</p> <p>010<sub>B</sub> Reserved, do not use this combination</p> <p>011<sub>B</sub> Full Voltage with LPR selected. If DMP_1 was not powered before this is not changed and only the EVR configuration is changed.</p> <p>100<sub>B</sub> Off is configured, all clocks in the DMP_1 are disabled and DMP_1 is not longer powered</p> <p>101<sub>B</sub> Configuration is unchanged reading returns last configured value out of 000<sub>B</sub>, 001<sub>B</sub>, 010<sub>B</sub>, 011<sub>B</sub>, or 100<sub>B</sub> but DMP_1 is powered with EVR_1 configuration</p> <p>110<sub>B</sub> Configuration is unchanged reading returns last configured value out of 000<sub>B</sub>, 001<sub>B</sub>, 010<sub>B</sub>, 011<sub>B</sub>, or 100<sub>B</sub>, all clocks in the DMP_1 are enabled</p> <p>111<sub>B</sub> Configuration is unchanged reading returns last configured value out of 000<sub>B</sub>, 001<sub>B</sub>, 010<sub>B</sub>, 011<sub>B</sub>, or 100<sub>B</sub>, all clocks in the DMP_1 are disabled</p>
CLKENM	6	rw	<p><b>System Clock Enable for DMP_M</b> This bit defines the system clock have to be stopped till the next step or not for DMP_M.</p> <p>0<sub>B</sub> System clock for DMP_M is stopped</p> <p>1<sub>B</sub> System clock for DMP_M is running</p>
CLKEN1	7	rw	<p><b>System Clock Enable for DMP_1</b> This bit defines the system clock have to be stopped till the next step or not for DMP_1.</p> <p>0<sub>B</sub> System clock for DMP_1 is stopped</p> <p>1<sub>B</sub> System clock for DMP_1 is running</p>

Field	Bits	Type	Description
<b>TRGSEL</b>	[11:8]	rw	<p><b>Trigger Selection</b> This bit field defines the which of the four possible OK outputs from both PVCs are used for validating the power transition.</p> <p>0000<sub>B</sub> Non of the outputs is used            0001<sub>B</sub> OK 1 from PVC_M is used            0010<sub>B</sub> OK 2 from PVC_M is used            0011<sub>B</sub> OK 1 from PVC_M AND OK 2 from PVC_M is used            0100<sub>B</sub> OK 1 from PVC_1 is used            0101<sub>B</sub> OK 1 from PVC_M AND OK 1 from PVC_1 is used            0110<sub>B</sub> OK 2 from PVC_M AND OK 1 from PVC_1 is used            0111<sub>B</sub> OK 1 from PVC_M AND OK 2 from PVC_M AND OK 1 from PVC_1 is used            1000<sub>B</sub> OK 2 from PVC_1 is used            1001<sub>B</sub> OK 1 from PVC_M AND OK 2 from PVC_1 is used            1010<sub>B</sub> OK 2 from PVC_M AND OK 2 from PVC_1 is used            1011<sub>B</sub> OK 1 from PVC_M AND OK 2 from PVC_M AND OK 2 from PVC_1 is used            1100<sub>B</sub> OK 1 from PVC_1 AND OK 2 from PVC_1 is used            1101<sub>B</sub> OK 1 from PVC_M AND OK 1 from PVC_1 AND OK 2 from PVC_1 is used            1110<sub>B</sub> OK 2 from PVC_M AND OK 1 from PVC_1 AND OK2 from PVC_1 is used            1111<sub>B</sub> OK 1 from PVC_M AND OK 2 from PVC_M AND OK 1 from PVC_1 AND OK2 from PVC_1 is used</p>
<b>SYSDIV</b>	12	rw	<p><b>System Clock Divider</b> This bit defines the number of system clock cycles <math>f_{SYS}</math> before the sequence is continued.</p> <p>0<sub>B</sub> The sequence is continued after 1 <math>f_{SYS}</math> cycles            1<sub>B</sub> The sequence is continued after 64 <math>f_{SYS}</math> cycles</p>

<b>Field</b>	<b>Bits</b>	<b>Type</b>	<b>Description</b>
<b>PVCMOFF</b>	13	rw	<p><b>PVC_M Disabled</b> This bit defines whether the PVC generates any valid check results or not for this step. The PVC can be disabled in order to save power.</p> <p>0<sub>B</sub> The PVC_M is enabled and delivers valid results</p> <p>1<sub>B</sub> The PVC_M is disabled and deliver no valid results</p>
<b>PVC1OFF</b>	14	rw	<p><b>PVC_1 Disabled</b> This bit defines whether the PVC generates any valid check results or not for this step. The PVC can be disabled in order to save power.</p> <p>0<sub>B</sub> The PVC_1 is enabled and delivers valid results</p> <p>1<sub>B</sub> The PVC_1 is disabled and deliver no valid results</p>
<b>SEN</b>	15	rw	<p><b>Step Enable</b> This bit defines the operation that is connected with step n of the transition is skipped or not.</p> <p>0<sub>B</sub> Step is skipped</p> <p>1<sub>B</sub> Step is executed</p>

## **6.6 Global State Controller (GSC)**

Beside power saving modes and the clock management Mode Control for the system peripherals provides an additional opportunity for configuring the system to the application needs.

Mode Control is described in detail in this chapter and is implemented by the GSC.

The GSC enables the user to configure one operating mode in a fast and easy way, reacting fast and explicit to needs of an application.

### **Feature Overview**

The following issues are handled by the GSC:

- Control of peripheral clock operation
- Suspend control for debugging
- Arbitration between the different request sources

According to the requests coming from the OCDS, the SWD pre-warning detection or other blocks, the GSC does an internal prioritization. The result is forwarded as broadcast command request to all peripherals. The GSC internal prioritization scheme for the implemented request sources is shown in [Table 6-15](#).

### **6.6.1 GSC Control Flow**

At least one request source asserts its request trigger in order to request a mode change in the SoC. If several requests are pending there is an arbitration mechanism that treats this issue. Request triggers are not stored by the GSC, therefore a trigger source has to assert its trigger until the trigger is no longer valid or needed.

A request trigger is kept asserted as long as either the request is still pending or the resulting command of the request was entered and acknowledged by the system. The communication of the GSC and the peripherals is based on commands. Three different commands are defined resulting in three modes:

- Wake-up command
  - This command defines the Normal Mode
- Clock-off command
  - This command defines the Stop Mode
- Debug command
  - This command defines the Suspend Mode

Each peripheral defines its specific behavior for these three modes via the module register `mod_KSCCFG`.

#### **6.6.1.1 Request Source Arbitration**

The arbitration is a priority driven arbitration. The highest priority in this arbitration is zero.

Each cycle a new arbitration round is started. The winner of an arbitration round can issue the next command towards the SoC. Please note that winning an arbitration does not lead automatically to a new command raised. Only if currently no command is broadcast in the SoC a new command can be generated and broadcast. If the winner of the arbitration round is the same request trigger as in the previous round or if no winner was detected no new command request is generated.

**Table 6-15 Connection of the Request Sources**

<b>Request Source</b>	<b>Priority</b>
PSCB exit	0
PSCB entry	1
PSCA exit	2
PSCA entry	3
OCDS exit	4
ESR0	5
ESR1	6
ESR2	7
WUT	8
ITC	9
SW1	11
SW2	12
OCDS entry	14

### 6.6.1.2 Generation of a New Command

When a new request trigger was detected and arbitrated a new command request is generated if one of the following conditions is valid:

- Currently no command request is broadcast that is not received by all slaves

**Table 6-16 Request Source and Command Request Coupling**

<b>Request Source</b>	<b>Command Description</b>
PSCB exit	Wake-up; Normal Mode
PSCB entry	Clock-off Mode
PSCA exit	Wake-up; Normal Mode
PSCA entry	Clock-off Mode
OCDS exit	Wake-up; Normal Mode

**Table 6-16 Request Source and Command Request Coupling**

<b>Request Source</b>	<b>Command Description</b>
ESR0	Wake-up; Normal Mode
ESR1	Wake-up; Normal Mode
ESR2	Clock-off Mode
WUT	Wake-up; Normal Mode
ITC	Wake-up; Normal Mode
SW1	Wake-up; Normal Mode
SW2	Clock-off Mode
OCDS entry	Suspend Mode

### 6.6.1.3 Usage of Commands

The complete control mechanism for the different operation modes of the various slaves are divided into two parts:

- A central control and configuration part; the Global State Controller (GSC)
- One local control part in each slave; the Kernel State Controller (KSC)

Via the GSC either different hardware sources (e.g. the WUT or the OCDS) or the software can request the system to enter a specific mode. The parts that are affected by the mode can be pre-defined locally for each part via the KSC. For each command a specific reaction can be pre-configured in each KSC for each individual part.

### 6.6.1.4 Terminating a Request Trigger

A request trigger is no longer taken into account for the arbitration after the de-asserting of the request trigger.

### 6.6.1.5 Suspend Control Flow

The suspend feature is controlled by the OCDS block. The GSC operates only as control and communication interface towards the system. The suspend feature is composed out of two requirements:

The mode that has to be entered when the Suspend Mode is requested.

The mode that has to be entered when the Suspend Mode is left.

The request to enter Suspend Mode is forwarded from the OCDS. When the Suspend Mode is requested the system is expected to be stopped as soon as possible in an idle state where no internal process is pending and in a way that this system state does not lead to any damage internally or externally and can also be left without any damage. Therefore all peripherals in the system are requested to enter a mode where the clock can be stopped. This is done by sending a debug command.



Leaving the Suspend Mode should serve the goal that debugging is a non-intrusive operation. Therefore leaving the Suspend Mode can not lead to only one dedicated system mode, instead it leads to the system mode the system left when it was requested to exit the Suspend Mode. The system mode is stored when a Suspend Mode request is detected by the GSC and is used as target system mode when a leave Suspend Mode trigger is detected by the GSC.

#### **6.6.1.6 Error Feedback for a Mode Transition**

In case at least one peripheral reports an error the error flag in register GSCSTAT is set. If no error is currently detected upon a new assertion of a system mode by the GSC the error flag is cleared. To inform the system of this erroneous state an interrupt can be generated.

## 6.6.2 GSC Registers

### 6.6.2.1 GSC Control and Status Registers

The following register control and configure the behavior of the GSC.

#### GSCSWREQ

#### GSC Software Request Register

SFR (FF14<sub>H</sub>/8A<sub>H</sub>)

Reset Value: 0000<sub>H</sub>

15	14	13	12	11	10	9	8	7	6	5	4	3	2	1	0	
0														SWT RG2	SWT RG1	
														r	rwh	rwh

Field	Bits	Type	Description
SWTRG1	0	rwh	<b>Software Trigger 1 (SW1)</b> 0 <sub>B</sub> No SW1 request trigger is generated 1 <sub>B</sub> A SW1 request trigger is generated This bit is automatically cleared if the SW1 request trigger wins the arbitration and was broadcast to the system.
SWTRG2	1	rwh	<b>Software Trigger 2 (SW2)</b> 0 <sub>B</sub> No SW2 request trigger is generated 1 <sub>B</sub> A SW2 request trigger is generated This bit is automatically cleared if the SW2 request trigger wins the arbitration and was broadcast to the system.
0	[15:2]	r	<b>Reserved</b> Read as 0; should be written with 0.

#### GSCEN

#### GSC Enable Register

SFR (FF16<sub>H</sub>/8B<sub>H</sub>)

Reset Value: 7FFF<sub>H</sub>

15	14	13	12	11	10	9	8	7	6	5	4	3	2	1	0
0	OCD SEN EN	1	SW2 EN	SW1 EN	1	ITC EN	WUT EN	ESR 2EN	ESR 1EN	ESR 0EN	OCD SEX EN	PSC AEN EN	PSC AEX EN	PSC BEN EN	PSC BEX EN
r	rwh	rwh	rwh	rwh	rwh	rwh	rwh	rwh	rwh	rwh	rwh	rwh	rwh	rwh	rwh

Field	Bits	Type	Description
<b>PSCBEXEN</b>	0	rw	<b>PSC Sequence B Exit Request Trigger Enable</b> 0 <sub>B</sub> PSC sequence B exit request trigger is not taken into account (disabled) 1 <sub>B</sub> PSC sequence B exit request trigger is taken into account (enabled)
<b>PSCBENEN</b>	1	rw	<b>PSC Sequence B Entry Request Trigger Enable</b> 0 <sub>B</sub> PSC sequence B entry request trigger is not taken into account (disabled) 1 <sub>B</sub> PSC sequence B entry request trigger is taken into account (enabled)
<b>PSCAEXEN</b>	2	rw	<b>PSC Sequence A Exit Request Trigger Enable</b> 0 <sub>B</sub> PSC sequence A exit request trigger is not taken into account (disabled) 1 <sub>B</sub> PSC sequence A exit request trigger is taken into account (enabled)
<b>PSCAENEN</b>	3	rw	<b>PSC Sequence A Entry Request Trigger Enable</b> 0 <sub>B</sub> PSC sequence A entry request trigger is not taken into account (disabled) 1 <sub>B</sub> PSC sequence A entry request trigger is taken into account (enabled)
<b>OCDSSEXEN</b>	4	rw	<b>OCDS Exit Request Trigger Enable</b> 0 <sub>B</sub> OCDS exit request trigger is not taken into account (disabled) 1 <sub>B</sub> OCDS exit request trigger is taken into account (enabled)
<b>ESR0EN</b>	5	rw	<b>ESR0 Request Trigger Enable</b> 0 <sub>B</sub> <u>ESR0</u> request trigger is not taken into account (disabled) 1 <sub>B</sub> <u>ESR0</u> request trigger is taken into account (enabled)
<b>ESR1EN</b>	6	rw	<b>ESR1 Request Trigger Enable</b> 0 <sub>B</sub> <u>ESR1</u> request trigger is not taken into account (disabled) 1 <sub>B</sub> <u>ESR1</u> request trigger is taken into account (enabled)

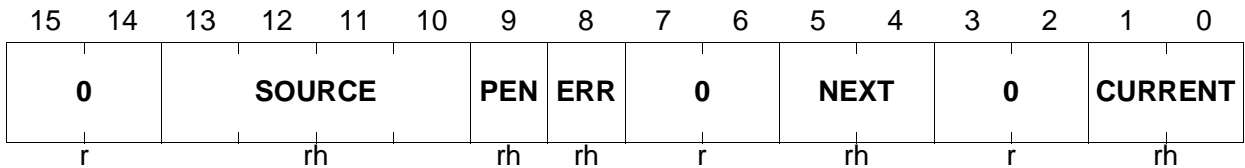
Field	Bits	Type	Description
<b>ESR2EN</b>	7	rw	<b>ESR2 Request Trigger Enable</b> 0 <sub>B</sub> ESR2 request trigger is not taken into account (disabled) 1 <sub>B</sub> ESR2 request trigger is taken into account (enabled)
<b>WUTEN</b>	8	rw	<b>WUT Request Trigger Enable</b> 0 <sub>B</sub> WUT request trigger is not taken into account (disabled) 1 <sub>B</sub> WUT request trigger is taken into account (enabled)
<b>ITCEN</b>	9	rw	<b>ITC Request Trigger Enable</b> 0 <sub>B</sub> ITC request trigger is not taken into account (disabled) 1 <sub>B</sub> ITC request trigger is taken into account (enabled)
<b>SW1EN</b>	11	rw	<b>Software 1 Request Trigger Enable</b> 0 <sub>B</sub> SW1 request trigger is not taken into account (disabled) 1 <sub>B</sub> SW1 request trigger is taken into account (enabled)
<b>SW2EN</b>	12	rw	<b>Software 2 Request Trigger Enable</b> 0 <sub>B</sub> SW2 request trigger is not taken into account (disabled) 1 <sub>B</sub> SW2 request trigger is taken into account (enabled)
<b>OCDS ENEN</b>	14	rw	<b>OCDS Entry Request Trigger Enable</b> 0 <sub>B</sub> OCDS entry request trigger is not taken into account (disabled) 1 <sub>B</sub> OCDS entry request trigger is taken into account (enabled) OCDS entry is the request source belonging to the according connector interface.
<b>1</b>	10, 13	rw	<b>Reserved</b> Should be written with.
<b>0</b>	15	r	<b>Reserved</b> Read as 0; should be written with 0.

**GSCSTAT**

GSC Status Register

SFR (FF18<sub>H</sub>/8C<sub>H</sub>)

Reset Value: 3C00<sub>H</sub>



Field	Bits	Type	Description
<b>CURRENT</b>	[1:0]	rh	<b>Currently used Command</b> This bit field states the currently used system mode.
<b>NEXT</b>	[5:4]	rh	<b>Next to use Command</b> This bit field states the next to be used system mode.
<b>ERR</b>	8	rh	<b>Error Status Flag</b> This bit flags if with the last command that was broadcast was acknowledge with at least one error. This bit is automatically cleared when a new command is broadcast.
<b>PEN</b>	9	rh	<b>Command Pending Flag</b> This flag states if currently a command is pending or not. A command is pending after the broadcast as long as no all blocks acknowledge that they finished the operation requested by the command.

Field	Bits	Type	Description
<b>SOURCE</b>	[13:10]	rh	<p><b>Requesting Source Status</b>            This bit field monitors the source that triggered the last request.</p> <p>0000<sub>B</sub> PSCB exit            0001<sub>B</sub> PSCB entry            0010<sub>B</sub> PSCA exit            0011<sub>B</sub> PSCA entry            0100<sub>B</sub> OCDS exit            0101<sub>B</sub> <u>ESR0</u>            0110<sub>B</sub> <u>ESR1</u>            0111<sub>B</sub> <u>ESR2</u>            1000<sub>B</sub> WU            1001<sub>B</sub> ITC            1010<sub>B</sub> Reserved, do not use this combination            1011<sub>B</sub> SW1            1100<sub>B</sub> SW2            1101<sub>B</sub> Reserved, do not use this combination            1110<sub>B</sub> OCDS entry            1111<sub>B</sub> Reserved, do not use this combination</p>
<b>0</b>	[3:2], [7:6], [15:14]	r	<p><b>Reserved</b>            Read as 0; should be written with 0.</p>

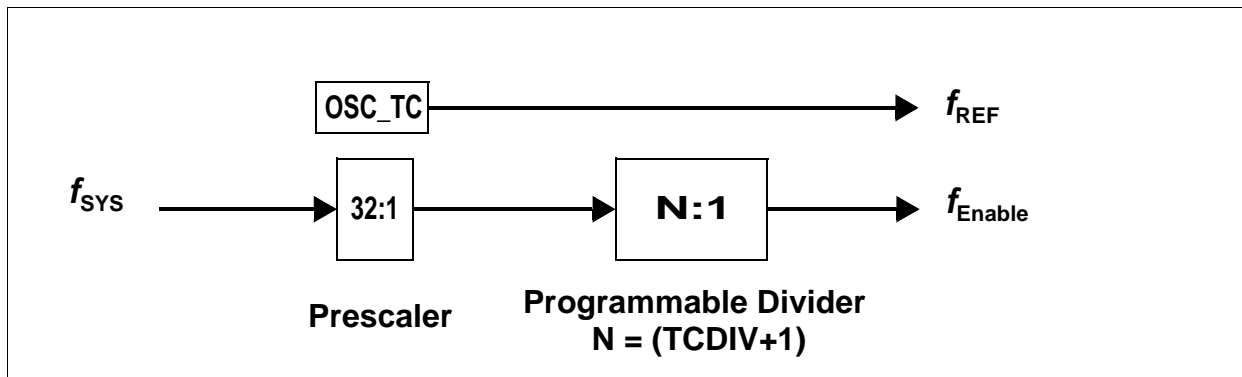
## 6.7 Temperature Compensation Unit

The temperature compensation for the port drivers provides driver output characteristics which are stable (within a certain band of parameter variation) over the specified temperature range.

The temperature compensation sensor provides a reference clock signal which is temperature-dependent. An enable trigger is used to define counting cycles where the reference clock pulses are accumulated to build the sensor value TCLR.THCOUNT. The enable trigger is derived from the system clock by a prescaler and a programmable divider (see [Figure 6-30](#)). The value for the programmable divider must be written by the user according to the selected system frequency.

After the count cycle, the resulting count value, i.e. the number of reference clock cycles, is copied to bit field TCLR.THCOUNT. Thus, TCLR.THCOUNT is updated after every count cycle while the temperature compensation is enabled.

Software can compare the temperature-related count value (TCLR.THCOUNT) to several thresholds (temperature levels) in order to determine the control values TCCR.TCC.



**Figure 6-30 Temperature Compensation Clock Generation**

The clock divider is programmed via bit field TCCR.TCDIV. The value that should be used for bit field TCCR.TCDIV can be calculated using the following formula documented in the data sheet.

Generally, temperature compensation is a user-controlled feature. The Temperature Compensation Control Register TCCR provides access to the actual compensation value (generated by the sensor) and allows software control of the pads. During operation the device (i.e. the pads) can be controlled by the value of the on-chip sensor, or by externally provided compensation values. Register TCCR also provides the programmable divider value.

*Note: The relation between the counter value and the temperature can differ between two devices and need to be evaluated for each device individually.*

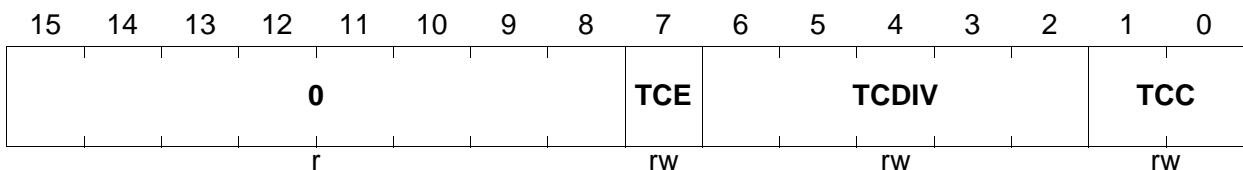
## 6.7.1 Temperature Compensation Registers

### 6.7.1.1 TCCR

This register contains the control options.

#### TCCR

Temperature Compensation RegisterESFR (F1AC<sub>H</sub>/D6<sub>H</sub>) Reset Value: 0003<sub>H</sub>



Field	Bits	Type	Description
<b>TCC</b>	[1:0]	rw	<b>Temperature Compensation Control</b> The value which controls the temperature compensation inputs of the pads. 00 <sub>B</sub> Maximum reduction = min. driver strength, i.e. very low temperature 11 <sub>B</sub> No reduction = max. driver strength, i.e. very high temperature
<b>TCDIV</b>	[6:2]	rw	<b>Temperature Compensation Clock Divider</b> This value adjusts the temperature compensation logic to the selected operating frequency.
<b>TCE</b>	7	rw	<b>Temperature Compensation Enable</b> 0 <sub>B</sub> No action 1 <sub>B</sub> Enable counting to generate new temperature values. Clearing this bit also stops the temperature compensation.
<b>0</b>	[15:8]	r	<b>Reserved</b> Read as 0; should be written with 0.

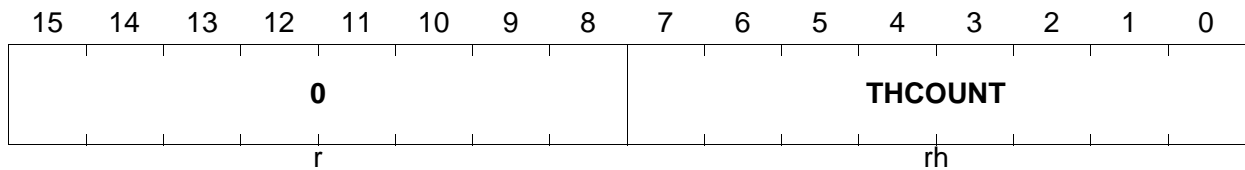


Preliminary

System Control Unit (SCU)

**TCLR**

Temperature Comp. Level RegisterESFR (F0AC<sub>H</sub>/56<sub>H</sub>) Reset Value: 0000<sub>H</sub>



Field	Bits	Type	Description
<b>THCOUNT</b>	[7:0]	rh	<b>Threshold Counter</b> Returns the result of the most recent count cycle of the temperature sensor, to be compared with the thresholds.
<b>0</b>	[15:8]	r	<b>Reserved</b> Read as 0; should be written with 0.

*Note: The threshold counter will not overflow but rather stop at count 255.*

## 6.8 Watchdog Timer

The following part describes the WDT and its functionality.

### 6.8.1 Introduction

The Watchdog Timer (WDT) is a secure mechanism to overcome life- and dead-locks. An enabled WDT generates a reset for the system if not serviced in a configured time frame.

#### Features

The following list is a summary of the WDT functions:

- 16-bit Watchdog Timer
- Selectable operating frequency:  $f_{IN} / 256$  or  $f_{IN} / 16384$
- Timer overflow error detection
- Individual disable for timer functionality
- Double Reset Detection

Figure 6-31 provides an overview on the registers of the Watchdog Timer.

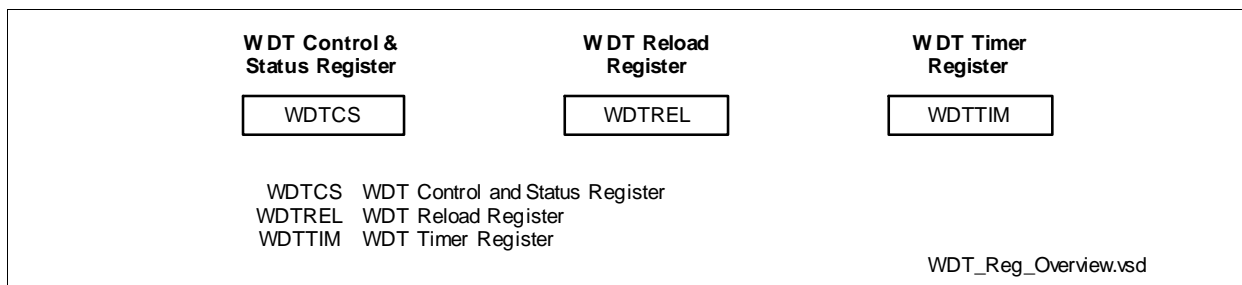


Figure 6-31 Watchdog Timer Register Overview

### 6.8.2 Overview

The Watchdog Timer (WDT) provides a highly reliable and secure way to detect and recover from software or hardware failure. The WDT helps to abort an accidental malfunction of the XC2000 in a user-specified time period. When enabled, the WDT will cause the XC2000 system to be reset if the WDT is not serviced within a user-programmable time period. The CPU must service the WDT within this time interval to prevent the WDT from causing a WDT reset request trigger. Hence, regular service of the WDT confirms that the system is functioning properly.

A further enhancement in the Watchdog Timer is its reset prewarning operation. Instead of immediately resetting the device on the detection of an error, a prewarning output is given to the system via an interrupt request. This makes it possible to bring the system into a defined and predictable status, before the reset is finally issued.

### 6.8.3 Functional Description

The following part describes all functions of the WDT.

#### 6.8.3.1 Timer Operation

The timer is enabled when instruction ENWDT (Enable Watchdog Timer) is executed correctly. The 16-bit counter implementing the timer functionality is clocked either with  $f_{IN} / 256$  or  $f_{IN} / 16384$ . The selection of the counting rate is done via bit WDTCS.IR. The counter is reloaded and the prescaler is cleared when one of the following conditions occurs:

- A successful access to register WDTREL
- The WDT is serviced
- A WDT overflow condition (Prewarning Mode is entered)
- The Disable Mode is entered

#### Determining WDT Periods

The WDT uses an input clock  $f_{IN}$ , which is equal to the system clock  $f_{sys}$ . A clock divider in front of the WDT timer provides two output frequencies,  $f_{IN} / 256$  and  $f_{IN} / 16384$ . Bit WDTCS.IR selects between these two options.

The general formula to calculate a Watchdog period is:

$$\text{period} = \frac{(2^{16} - \text{startvalue}) \cdot 256 \cdot 2^{(1-IR) \cdot 6}}{f_{IN}} \quad (6.4)$$

The parameter <startvalue> represents either the fixed value  $FFFC_H$  for the calculation of the Time-out Period, or the user-programmable reload value RELV for the calculation of the Normal Period.

#### 6.8.3.2 Timer Modes

The Watchdog Timer can operate in one of three different Timer Modes:

- Normal Mode
- Disable Mode
- Prewarning Mode

**Figure 6-32** provides a state diagram of the different Timer Modes and the transition possibilities. Please refer to the description of the conditions for changing from one mode to the other.

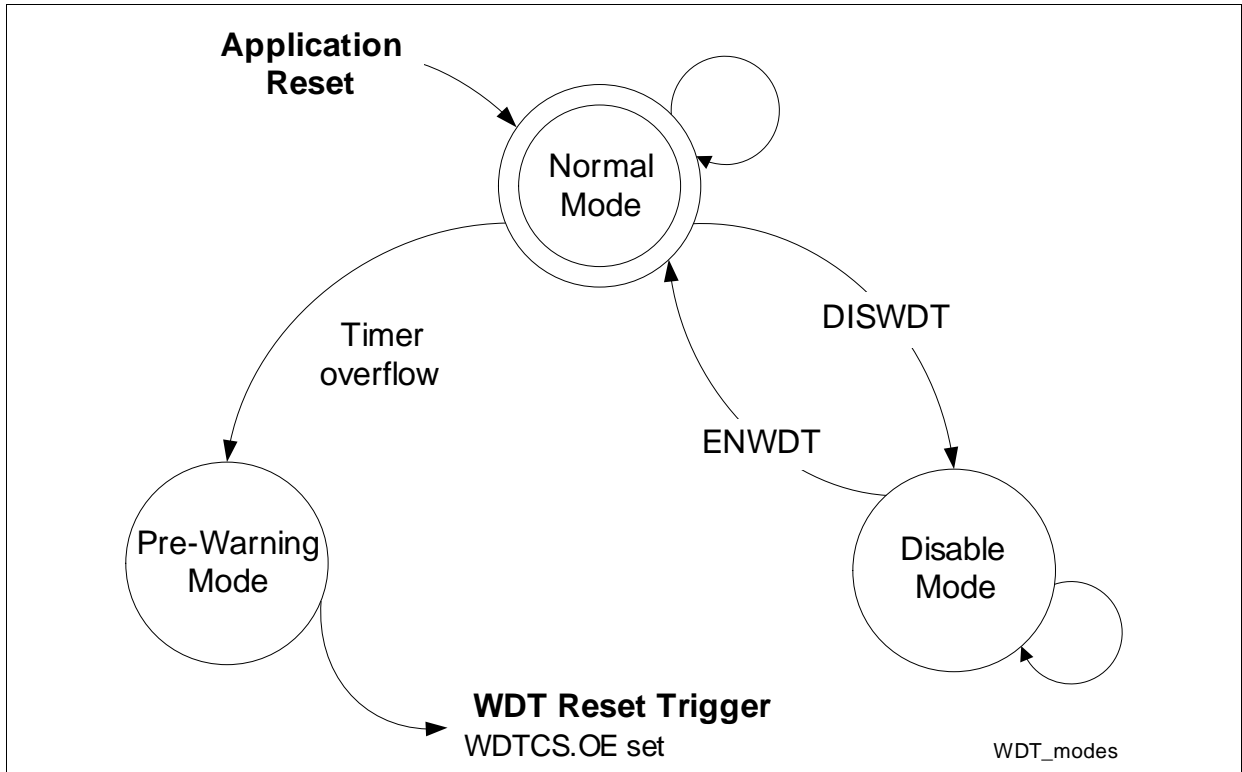


Figure 6-32 State Diagram of the Timer Modes

### Normal Mode

The Normal Mode is the default mode after an application reset. Normal Mode can be entered from Disable Mode only when instruction ENWDT is executed. The timer is loaded with RELV when the Normal Mode is entered, and it starts counting upwards. After reset, the timer is loaded with FFFC<sub>H</sub>, and it starts counting upwards. It has to be serviced before the counter overflows. Servicing is performed by the CPU via instructions SRVWDT and/or ENWDT.

If the WDT is not serviced before the timer overflows, a system malfunction is assumed, a WDT error is generated, and Prewarning Mode is entered. A reset of the XC2000 is imminent and can no longer be stopped.

Table 6-17 Timer Periods in Normal Mode

IS	Reload Value	Min. / Max.	Period	Example @ $f_{IN} = 40 \text{ MHz}$
0	0000 <sub>H</sub>	min.	$65535 \times 16384 / f_{IN} = 1073725440 / f_{IN}$	26.8 s
		max.	$65536 \times 16384 / f_{IN} = 1073741824 / f_{IN}$	26.8 s
	FFFE <sub>H</sub>	min.	$1 \times 16384 / f_{IN} = 16384 / f_{IN}$	410 $\mu\text{s}$
		max.	$2 \times 16384 / f_{IN} = 32768 / f_{IN}$	819 $\mu\text{s}$

**Table 6-17 Timer Periods in Normal Mode**

IS	Reload Value	Min. / Max.	Period	Example @ $f_{IN} = 40 \text{ MHz}$
1	0000 <sub>H</sub>	min.	$65535 \times 256 / f_{IN} = 16776960 / f_{IN}$	419 ms
		max.	$65536 \times 256 / f_{IN} = 16777216 / f_{IN}$	419 ms
	FFFE <sub>H</sub>	min.	$1 \times 256 / f_{IN} = 256 / f_{IN}$	6.4 $\mu\text{s}$
		max.	$2 \times 256 / f_{IN} = 512 / f_{IN}$	12.8 $\mu\text{s}$

### Disable Mode

Disable Mode is provided for applications that do not require the Watchdog Timer function. Disable Mode is entered when instruction DISWDT is executed, either before End-of-Init, if CPUCON1.WDTCTL = 0, or at any time, if CPUCON1.WDTCTL = 1. The timer is cleared in this mode. A transition from Disable Mode to Normal Mode is performed when instruction ENWDT is executed while CPUCON1.WDTCTL = 1. The timer is reloaded and the prescalers are cleared on this transition.

### Prewarning Mode

Prewarning Mode is entered always when a Watchdog error is detected. This is an overflow in Normal Mode. Instead of immediately requesting a reset of the device, the WDT enables the system to enter a secure state by issuing the prewarning output before the reset occurs. Receiving the prewarning, the CPU and the system are requested to finish all pending transaction requests and to not generate new ones. The prewarning is signalled via an interrupt. The CPU can recognize the WDT prewarning interrupt via register INTSTAT. After finishing all pending transactions, the CPU should execute the IDLE instruction to stop all further processing before the coming reset.

In Prewarning mode, the WDT starts counting from FFFF<sub>H</sub> upwards, and then requests a WDT reset on the overflow. This reset request - and following reset generation - can not be avoided in this mode; the WDT does not react anymore to accesses to its registers, nor will it change its state until it is reset.

A feature of the WDT detects double errors and sets the whole system into a permanent WDT reset. This feature prevents the XC2000 from executing random wrong code for longer than the Time-out Period, and prevents the XC2000 from being repeatedly reset by the WDT.

Double WDT errors are detected with the aid of the error-indication flag WDTCS.OE. Servicing the WDT automatically clears this bit. However, this bit is not cleared when a reset is caused by the WDT reset. Because the error bit is preserved across resets requested by the WDT, the WDT can examine if an overflow occurs again. If bit WDTCS.OE is still set when a new WDT overflow occurs, then there must have been a preceding WDT reset without a software service of the WDT in the meantime. Hence,

this is a double WDT error condition. In this case, the WDT will generate another reset after the termination of the Prewarning Mode, but this time, the XC2000 will be held in the reset state until a power-up reset is generated by external hardware.

*Note: Double WDT errors can only occur if the WDT reset is not configured to generate a system reset.*

### 6.8.3.3 WDT during Power-Saving Modes

During Offline Mode, the WDT cannot be serviced. Excluding the case where the system is running normally, a strategy for managing the WDT is needed for the Offline Mode. There are two ways to handle the WDT in this case.

First, the WDT can be disabled before going into Offline Mode. This has the disadvantage that the system will no longer be monitored during the Offline period.

Second, the time the system stays in the Offline Mode can be configured with the wake-up timer in a way that the system is switched back to Active Mode before the WDT needs to be serviced. Then the CPU can service the WDT again and return to the Offline Mode.

*Note: Before switching into a non-running power-management mode, software should perform a Watchdog service sequence. The Watchdog reload value RELV in register WDTREL should be programmed such that the wake-up occurs after a period which best meets application requirements.*

### 6.8.3.4 Suspend Mode Support

In an enabled and active debug session, the Watchdog functionality can lead to unintended resets. Therefore, to avoid these resets, the OCDS can control whether the WDT is enabled or disabled (default after reset). This is done via bit CBS\_IOSR.DB.

**Table 6-18 OCDS Behavior of WDT**

WDTCS.DS	CBS_DBGSR.DBGEN	CBS_IOSR.DB	WDT Action
1	X	X	Stopped
0	0	X	Running
0	1	0	Stopped
0	1	1	Running

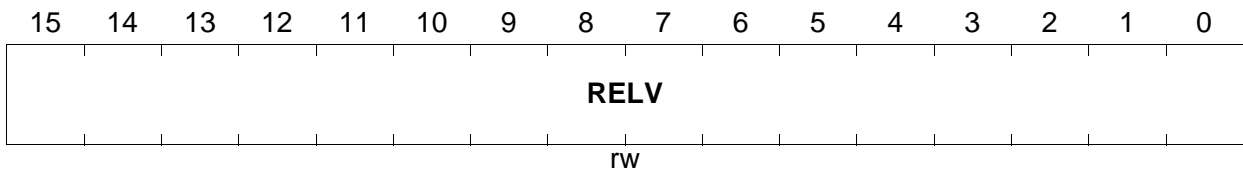
## 6.8.4 WDT Kernel Registers

### 6.8.4.1 WDT Reload Register

This register defines the WDT reload value.

#### WDTREL

**WDT Reload Register**                      **ESFR (F0C8<sub>H</sub>/64<sub>H</sub>)**                      **Reset Value: FFFC<sub>H</sub>**



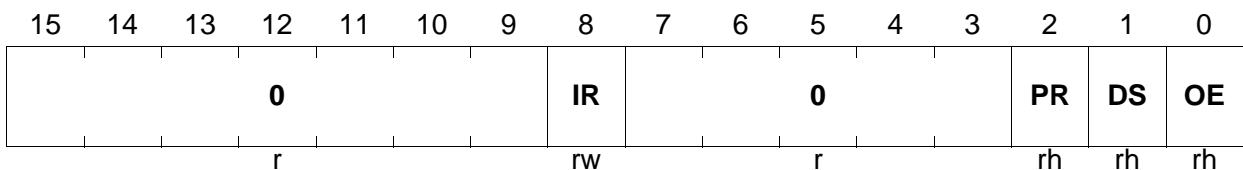
Field	Bits	Type	Description
RELV	[15:0]	rw	<b>Reload Value for the Watchdog Timer</b> This bit field defines the reload value for the WDT.

### 6.8.4.2 WDT Control and Status Register

The Control and Status Register can only be accessed in Secured Mode.

#### WDTCS

**WDT Control and Status Register** **ESFR (F0C6<sub>H</sub>/63<sub>H</sub>)**                      **Reset Value: 0000<sub>H</sub>**



Field	Bits	Type	Description
<b>OE</b>	0	rh	<p><b>Overflow Error Status Flag</b></p> <p>0<sub>B</sub> No WDT overflow error            1<sub>B</sub> A WDT overflow error has occurred.</p> <p>This bit is set by hardware when the Watchdog Timer overflows from FFFF<sub>H</sub> to 0000<sub>H</sub>.            This bit is only cleared through:</p> <ul style="list-style-type: none"> <li>• a system reset</li> <li>• a correctly executed SRVWDT or ENWDT instruction</li> </ul> <p>However, it is not possible to clear this bit in Prewarning Mode with the SRVWDT or ENWDT instruction.</p>
<b>DS</b>	1	rh	<p><b>Timer Enable/Disable Status Flag</b></p> <p>0<sub>B</sub> Timer is enabled (default after reset).            1<sub>B</sub> Timer is disabled.</p> <p>This bit is cleared when instruction ENWDT was executed.            This bit is set when instruction DISWDT was executed.</p>
<b>PR</b>	2	rh	<p><b>Prewarning Mode Flag</b></p> <p>0<sub>B</sub> Normal Mode (default after reset)            1<sub>B</sub> Prewarning Mode</p>
<b>IR</b>	8	rw	<p><b>Input Frequency Request Bit</b></p> <p>0<sub>B</sub> Request to set input frequency to <math>f_{IN} / 16384</math>            1<sub>B</sub> Request to set input frequency to <math>f_{IN} / 256</math></p> <p>An update of this bit is taken into account after the next successful execution of instruction SRVWDT or ENWDT, on a write to register WDTREL, and always when the WDT is in Disable Mode.</p>
<b>0</b>	[7:3], [15:9]	r	<p><b>Reserved</b></p> <p>Read as 0; should be written with 0;</p>



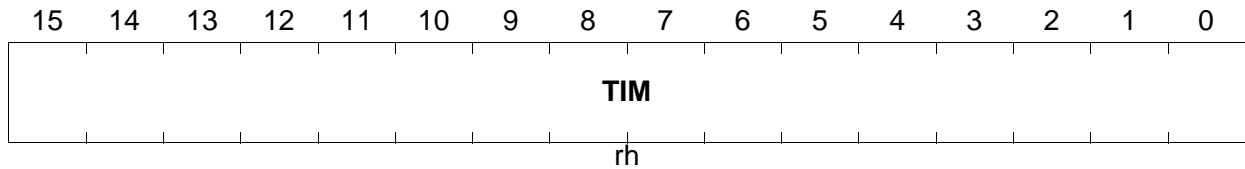
### 6.8.4.3 WDT Timer Register

#### WDTTIM

WDT Timer Register

ESFR (F0CA<sub>H</sub>/65<sub>H</sub>)

Reset Value: FFFC<sub>H</sub>



Field	Bits	Type	Description
TIM	[15:0]	rh	<b>Timer Value</b> Reflects the current contents of the Watchdog Timer.

### 6.9 Wake-up Timer (WUT)

The wake-up timer provides a very compact (and, therefore, power-saving) means of re-activating the system automatically from certain power saving modes after a specific period of time. The master clock  $f_{SYS}$  is prescaled and drives a simple counter. All functions are controlled by register WUCR.

*Note: For wake-up operation, the master clock  $f_{SYS}$  is usually derived from the wake-up clock (OSC\_WU). The interval numbers in [Figure 6-33](#) are based on this assumption.*

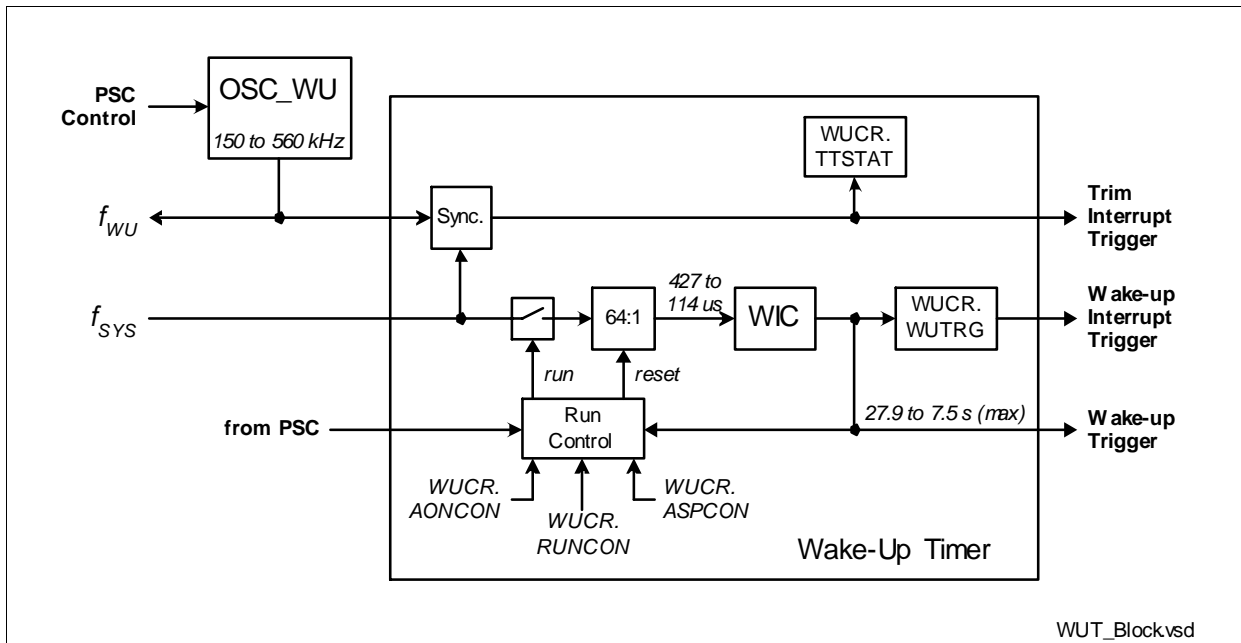


Figure 6-33 Wake-up Timer Logic

The wake-up timer is controlled by two registers, illustrated in [Figure 6-34](#).

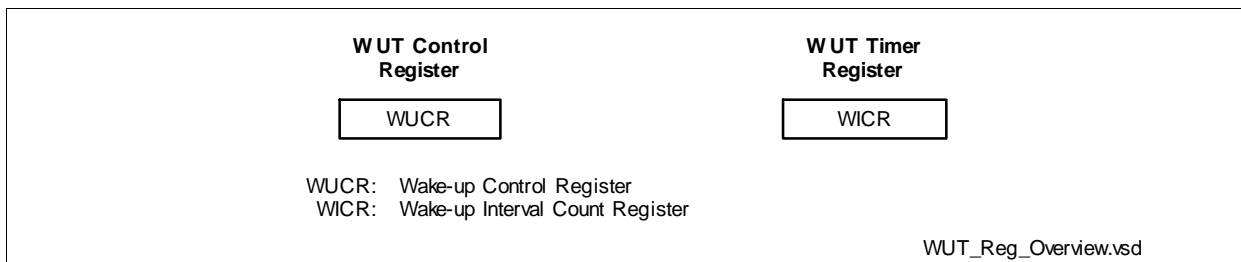


Figure 6-34 Wake-up Timer Register Overview

### 6.9.1 Wake-Up Timer Operation

The wake-up timer start and stop is controlled by the Run Control logic. The timer can be started in the following ways:

- bit WUCR.RUN is set
- bit WUCR.AON is set AND the PSC generates a start trigger

When the timer is started, the prescaler is reset and the counter WIC starts to count down.

The wake-up interval counter (WIC) is clocked with  $f_{\text{SYS}}/64$ , and counts down until it reaches zero. It then generates a wake-up trigger and sets bit WUCR.WUTRG.

The timer is stopped in the following ways:

- bit WUCR.RUN is cleared
- bit WUCR.ASP is set AND a wake-up trigger is generated

If the WIC is not stopped by its zero trigger, it continues counting down from  $\text{FFFF}_{\text{H}}$ .

When the WIC is used to wake up the XC2000 after a predefined period, the clock system usually is driven by the wake-up clock OSC\_WU. This allows the power domain DMP\_1 to be switched off to save energy. As the power-down period is then defined in units of  $64 f_{\text{OSC\_WU}}$  cycles, it is mandatory that the WIC starts counting down only when  $f_{\text{SYS}}$  is really generated by OSC\_WU. This is controlled by the auto-start feature, where the state transition mechanism can automatically start the WIC after selecting the correct clock source.

The actual frequency of OSC\_WU can be measured prior to entering power-save mode in order to adjust the number of clock cycles to be counted (value written to WIC), and such, to define the time until wake-up. The period of OSC\_WU can be measured by evaluating its (synchronized) clock output, which can generate an interrupt request or which can be monitored via bit WUCR.TTSTAT.

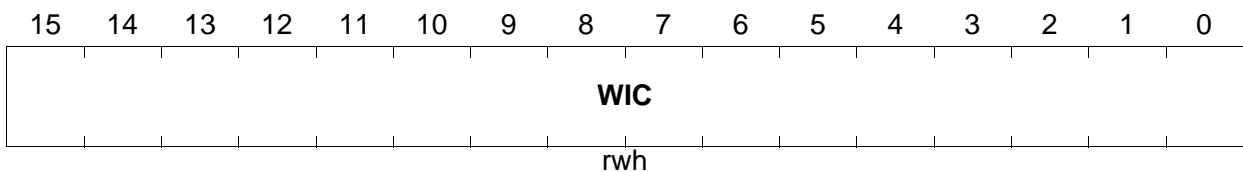
## 6.9.2 WUT Registers

### 6.9.2.1 Register WICR

Via this register, the status and configuration of the WIC counter is done.

#### WICR

Wake-up Interval Count Register ESFR (F0B0<sub>H</sub>/58<sub>H</sub>) Reset Value: FFFF<sub>H</sub>



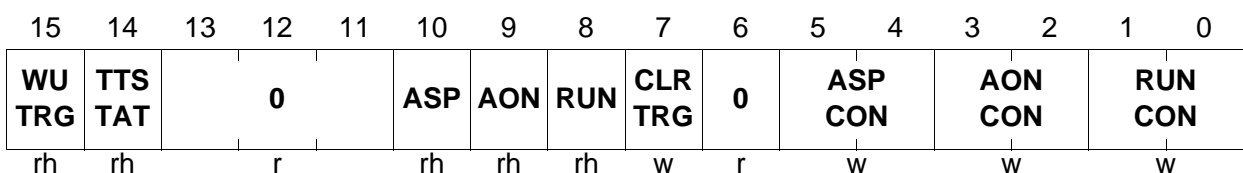
Field	Bits	Type	Description
<b>WIC</b>	[15:0]	rwh	<b>Wake-up Interval Counter</b> This free-running 16-bit counter counts down and issues a trigger when its count reaches zero.

### 6.9.2.2 Register WUCR

This register holds the status and control bits for the WUT.

#### WUCR

Wake-up Control Register ESFR (F1B0<sub>H</sub>/D8<sub>H</sub>) Reset Value: 0000<sub>H</sub>



Field	Bits	Type	Description
<b>RUNCON</b>	[1:0]	w	<b>Control Field for RUN</b> 00 <sub>B</sub> No action 01 <sub>B</sub> Set bit RUN 10 <sub>B</sub> Clear bit RUN 11 <sub>B</sub> Reserved, do not use this combination

Field	Bits	Type	Description
<b>AONCON</b>	[3:2]	w	<b>Control Field for AON</b> 00 <sub>B</sub> No action 01 <sub>B</sub> Set bit AON 10 <sub>B</sub> Clear bit AON 11 <sub>B</sub> Reserved, do not use this combination
<b>ASPCON</b>	[5:4]	w	<b>Control Field for ASP</b> 00 <sub>B</sub> No action 01 <sub>B</sub> Set bit ASP 10 <sub>B</sub> Clear bit ASP 11 <sub>B</sub> Reserved, do not use this combination
<b>CLRTRG</b>	7	w	<b>Clear Bit WUTRG</b> 0 <sub>B</sub> No action 1 <sub>B</sub> Clear bit WUTRG
<b>RUN</b>	8	rh	<b>Run Indicator</b> 0 <sub>B</sub> Wake-up counter is stopped 1 <sub>B</sub> Wake-up counter is counting down <i>Note: Clearing this bit via a write action to bit field RUNCON stops the WUT after four cycles of <math>f_{WUT}</math>.</i>
<b>AON</b>	9	rh	<b>Auto-Start Indicator</b> 0 <sub>B</sub> Wake-up counter is started by software only 1 <sub>B</sub> Wake-up counter can be started by the PSC mechanism
<b>ASP</b>	10	rh	<b>Auto-Stop Indicator</b> 0 <sub>B</sub> Wake-up counter runs continuously 1 <sub>B</sub> Wake-up counter stops after generating a trigger when reaching zero
<b>TTSTAT</b>	14	rh	<b>Trim Trigger Status</b> 0 <sub>B</sub> No trim trigger event is active. No trim interrupt trigger is generated. 1 <sub>B</sub> A trim trigger event is active. A trim interrupt trigger is generated. <i>Note: This bit is not valid if <math>f_{SYS} = f_{WU}</math> is configured in register SYSCON0.</i>

Field	Bits	Type	Description
<b>WUTRG</b>	15	rh	<b>WUT Trigger Indicator</b> $0_B$ No trigger event has occurred since WUTRG has been cleared last. No interrupt trigger is generated. $1_B$ A wake-up trigger event has occurred. A wake-up interrupt trigger is generated.
<b>0</b>	[7:6], [13:11]	r	<b>Reserved</b> Read as 0; should be written with 0;

*Note: The bits in the upper byte of register WUCR indicate the current status of the wake-up counter logic. They are not influenced by a write access, but are controlled by their associated control fields (lower byte) or by hardware. The control bit(field)s in the lower byte of register WUCR determine the state of the status bits (upper byte) of the wake-up counter logic. Setting bits by software triggers the associated action, writing 0 has no effect.*

## **6.10 Register Control**

This block handles the register accesses of the SCU, and the register access control for all system register that use one of the following protection modes:

- Write Protection Mode
- Secured Mode
- Start-up Protection

### **6.10.1 Register Access Control**

There are some dedicated registers that control critical system functions and modes. These registers are protected by a special register security mechanism, such that these vital system functions cannot be changed inadvertently after the execution of the EINIT instruction. However, as these registers control central system behavior, they need to be accessed during operation. The system control software gets this access via a special security state machine.

This security mechanism controls four different security levels. Three can be configured via register SLC. If an access violation is detected, a trap trigger request RAT (see [Section 6.11](#)) is generated.

- **Start-up Protected Mode**

This mode is entered when bit STCON.STP is cleared. Registers that use the start-up code protection mechanism are marked with 'St' in the protection list. Protected registers are locked against any write access. Write accesses have no effect on these registers.

- **Write Protected Mode**

This mode is entered automatically after the EINIT instruction is executed. Registers protected in this mode are locked against any write access. Write accesses have no effect on these registers.

- **Secured Mode**

Registers protected by the Secure Mode can be written using a special command. Access can be achieved by preceding the intended write access with writing "Command 4" to register SLC. Writing "Command 4" to register SLC enables writes to protected registers until the next write access is issued. Thereafter, "Command 4" has to be written again in order to enable the next write to a protected register.

Registers that are protected by this mode are marked with 'Sec' in [Table 6-23](#).

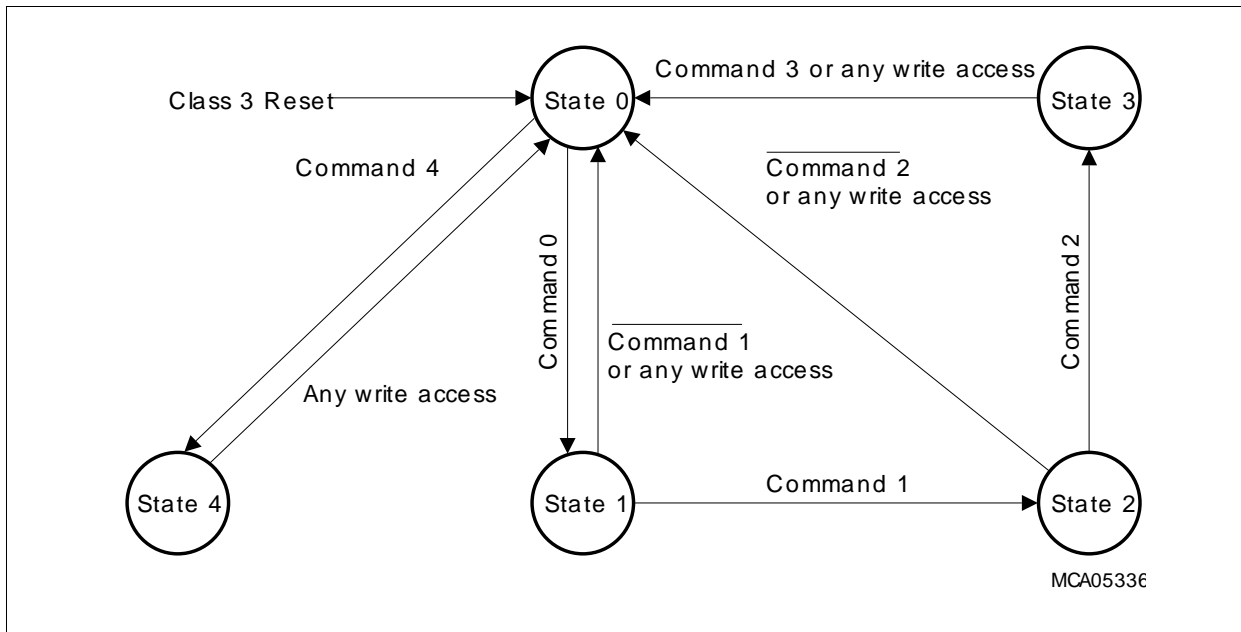
- **Unprotected Mode**

This mode is entered after an application reset. No protection is active, registers can be written at any time.

In addition to normal access parameters (e.g. read only, bit type r or rh), all registers that are equipped with one of the protection mechanism have the access limitations defined by the selected security level. Independently of the security level, all protected registers can also be read.

### 6.10.1.1 Controlling the Security Level

Two registers, the Security Level Command register (SLC) and the Security Level Status register (SLS), control the security level. The SLC register accepts the commands to control the state machine modifying the security level, while the SLS register shows the actual password, the actual security level, and the state of the state machine.



**Figure 6-35 State Machine for Security Level Controlling**

The following mechanism is used to control the actual security level:

- Changing the security level**  
 can be done by executing the following command sequence:  
 “Command 0 - Command 1 - Command 2 - Command 3”.  
 This sequence establishes a new security level and/or a new password.

**Table 6-19 Commands for Security Level Control**

Command	Definition	Note
Command 0	AAAA <sub>H</sub>	
Command 1	5554 <sub>H</sub>	
Command 2	96 <sub>H</sub>    <inverse password>	
Command 3	000 <sub>B</sub>    <new level>    000 <sub>B</sub>    <new password>	
Command 4	8E <sub>H</sub>    <inverse password>	Secured Mode only

*Note: It is recommended to lock all command sequences with an atomic sequence.*



## 6.10.2 Register Protection Registers

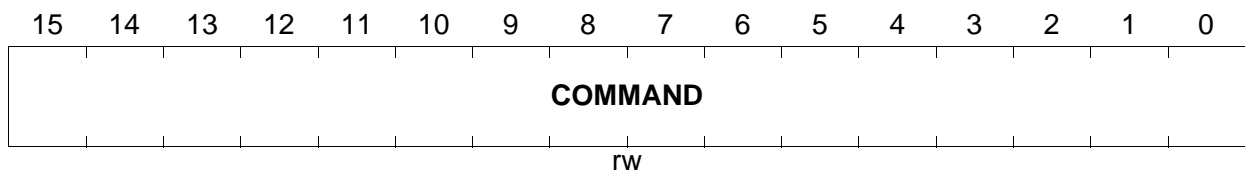
### 6.10.2.1 Register SLC

This register is the interface for the protection commands.

#### SLC

Security Level Command RegisterESFR (F0C0<sub>H</sub>/60<sub>H</sub>)

Reset Value: 0000<sub>H</sub>



Field	Bits	Type	Description
<b>COMMAND</b>	[15:0]	rw	<b>Security Level Control Command</b> The commands to control the security level must be written to this register (see <a href="#">Table 6-19</a> )

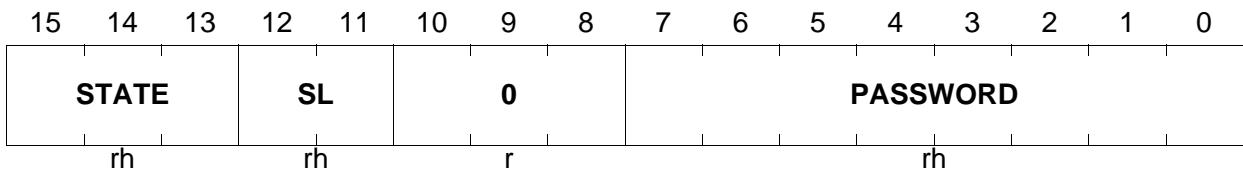
### 6.10.2.2 Register SLS

This register reflects the status of the register protection.

#### SLS

**Security Level Status Register ESFR (F0C2<sub>H</sub>/61<sub>H</sub>)**

**Reset Value: 0000<sub>H</sub>**



Field	Bits	Type	Description
<b>PASSWORD</b>	[7:0]	rh	<b>Current Security Control Password</b> Default after reset = 00 <sub>H</sub>
<b>SL</b>	[12:11]	rh	<b>Security Level <sup>1)</sup></b> 00 <sub>B</sub> Unprotected Mode (default) 01 <sub>B</sub> Secured Mode 10 <sub>B</sub> Reserved, do not use this combination 11 <sub>B</sub> Write Protected Mode
<b>STATE</b>	[15:13]	rh	<b>Current State of Switching State Machine</b> 000 <sub>B</sub> Awaiting command 0 or command 4 (default) 001 <sub>B</sub> Awaiting command 1 010 <sub>B</sub> Awaiting command 2 011 <sub>B</sub> Awaiting new security level and password 100 <sub>B</sub> Next access granted in Secured Mode 101 <sub>B</sub> Reserved, do not use this combination 11X <sub>B</sub> Reserved, do not use this combination
<b>0</b>	[10:8]	r	<b>Reserved</b> Read as 0; should be written with 0;

<sup>1)</sup> While the security level is “unprotected” after reset, it changes to “write protected” after the execution of instruction EINIT.

### 6.10.3 Miscellaneous System Control Registers

#### 6.10.3.1 System Control Registers

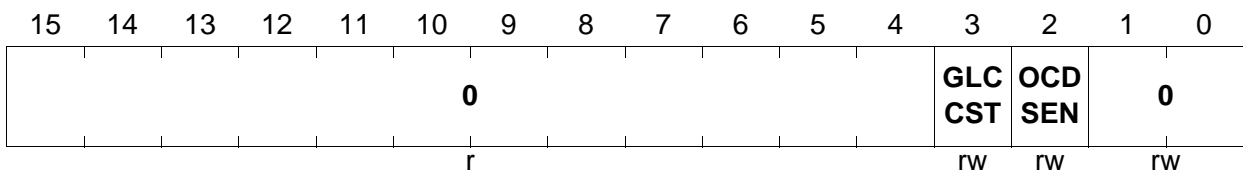
The following register serves for various system tasks.

##### **SYSCON1**

**System Control 1 Register**

**SFR (FF4C<sub>H</sub>/A6<sub>H</sub>)**

**Reset Value: 0003<sub>H</sub>**



Field	Bits	Type	Description
<b>OCDSSEN</b>	2	rw	<b>OCDS/Cerberus Enable</b> 0 <sub>B</sub> OCDS and Cerberus are still in reset state 1 <sub>B</sub> OCDS and Cerberus are operable
<b>GLCCST</b>	3	rw	<b>Global CAPCOM Start</b> Bit GLCCST starts all CAPCOM units synchronously, if enabled. 0 <sub>B</sub> CAPCOM timer start is controlled locally in each unit 1 <sub>B</sub> All CAPCOM timers are started synchronously GLCCST is automatically cleared in the clock cycle after it was set.
<b>0</b>	[1:0]	rw	<b>Reserved</b> Should be written with 0.
<b>0</b>	[15:4]	r	<b>Reserved</b> Read as 0; should be written with 0.

## 6.11 SCU Interrupt and Trap Handling

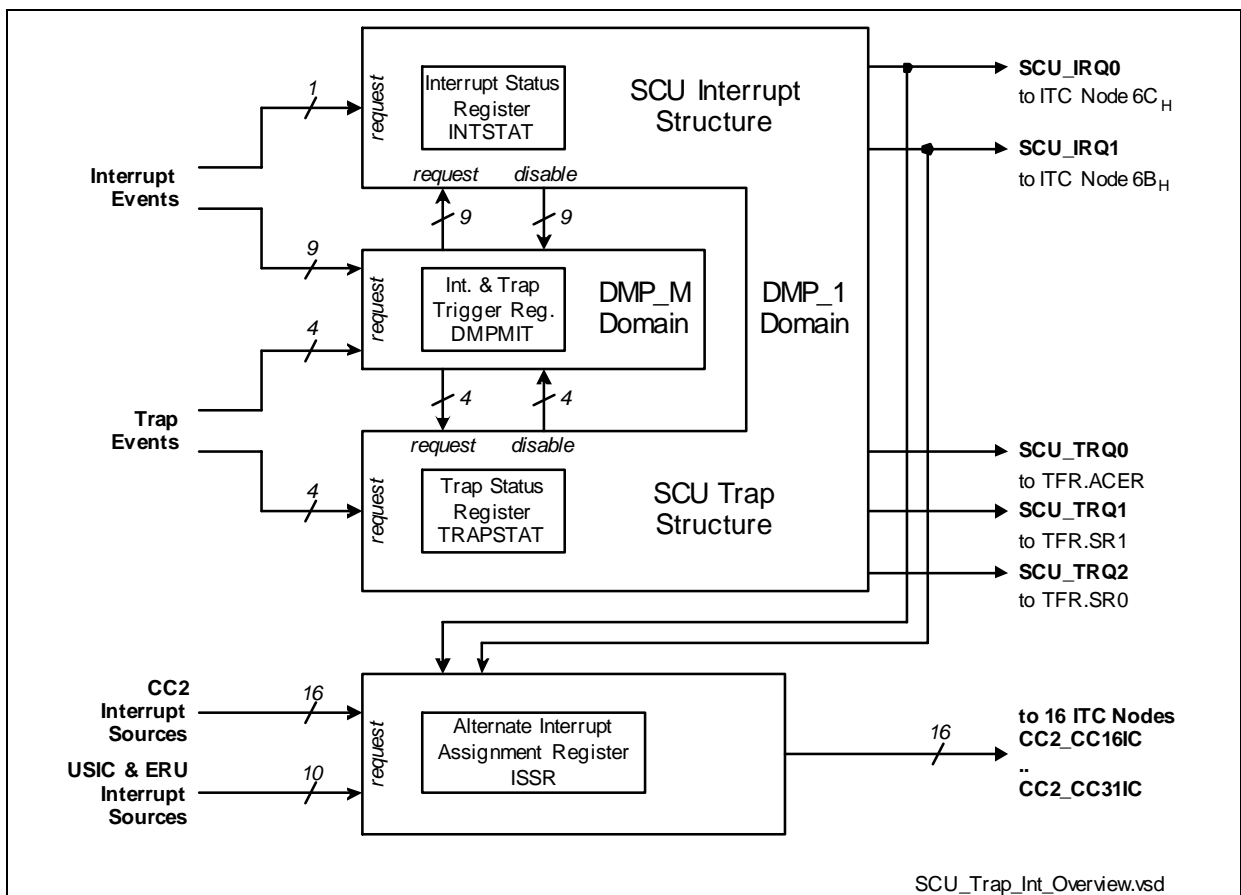
The SCU handles a number of interrupts and traps. It contains appropriate logic and registers to enable/disable the request sources, to hold the request flags, to set or clear the flags, and to distribute the requests to a given interrupt or trap node.

The interrupt structure is detailed in [Section 6.11.1](#), while the trap structure is explained in [Section 6.11.3](#).

In order to not lose interrupts or traps during a power-save mode, a number of interrupt and trap requests are fed through a sticky flag register in the DMP\_M domain, before being connected to the SCU interrupt or trap handling structure. In this way, the occurrence of an event is registered even when the DMP\_1 domain is powered down. Details about this structure can be found in [Section 6.11.5](#).

An additional part of the SCU structure facilitates the mapping of the interrupt request sources in the system to the sixteen interrupt nodes CC2\_CCxIC. These interrupt nodes are shared between the CC2 and other interrupt sources. Details can be found in [Section 6.11.7](#).

[Figure 6-36](#) provides an overview on the SCU interrupt and trap handling, while [Figure 6-37](#) shows the registers involved.



**Figure 6-36 SCU Interrupt and Trap Overview**

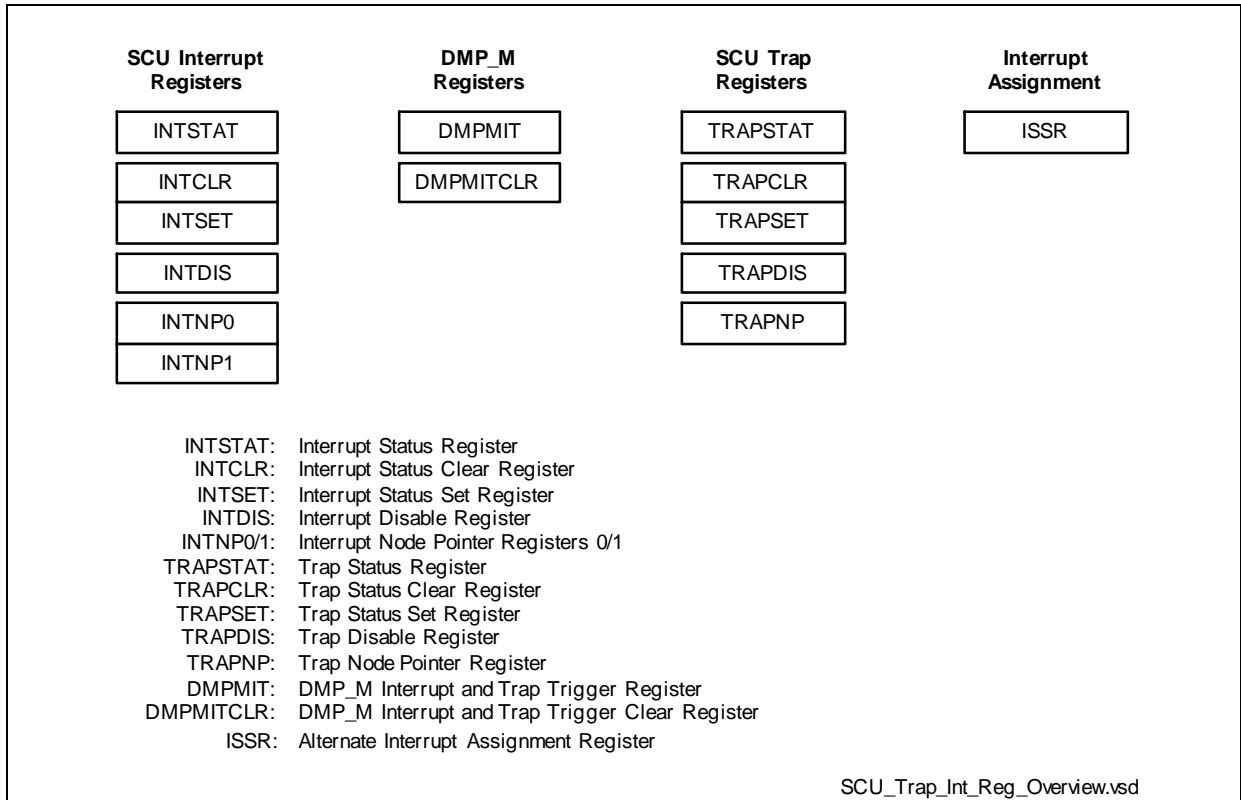


Figure 6-37 SCU Interrupt and Trap Register Overview

### 6.11.1 SCU Interrupt Handling

The SCU receives ten interrupt request lines, listed in [Table 6-20](#). The basic interrupt structure of the SCU is shown in [Figure 6-38](#). If enabled by the corresponding bit in register INTDIS, an interrupt is triggered either by the incoming interrupt request line, or by a software set of the respective bit in register INTSET. The trigger sets the respective flag in register INTSTAT and is gated to one of two interrupt nodes, selected by the node pointer registers INTNP0 or INTNP1.

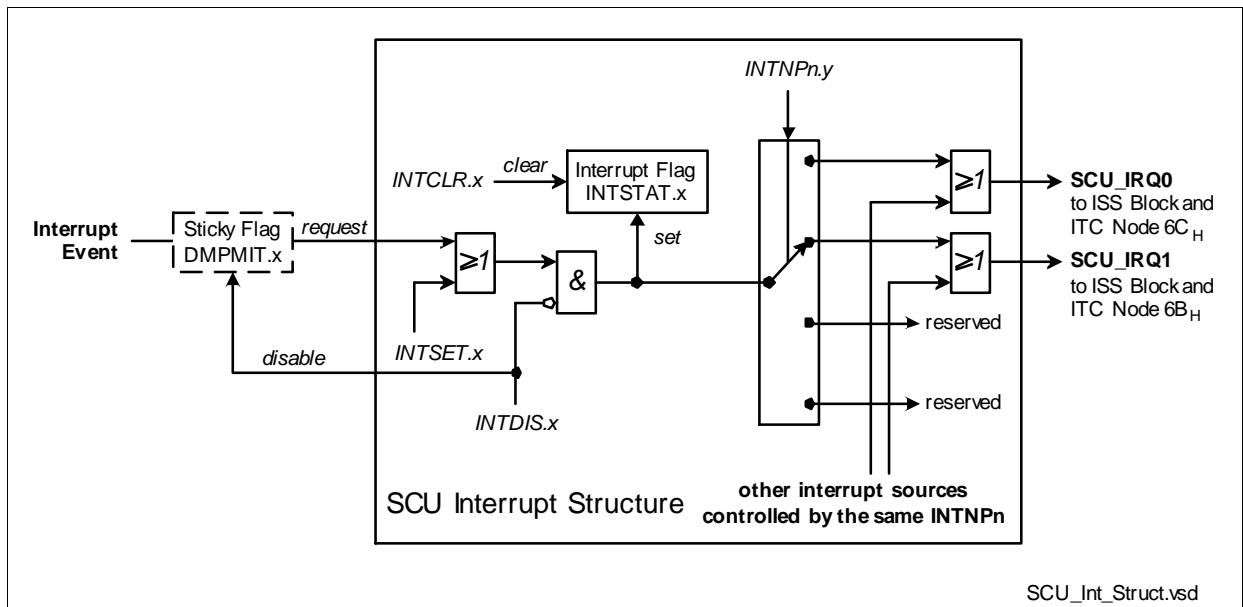
Nine of the ten interrupt requests are first fed through a sticky flag register in the DMP\_M domain. In this way, the occurrence of a request is registered even when the DMP\_1 domain, including the SCU, is powered down. The registered event can then be processed when the SCU is in normal power mode again. Please note that the disable control of register INTDIS also influences the sticky bit in register DMPMIT (see [Section 6.11.5](#)).

The interrupt flag in register INTSTAT can be cleared by software by writing to the corresponding bit in register INTCLR.

If more than one interrupt source is connected to the same interrupt node pointer (via register INTNP0/1), the requests are combined to one common line.

**Table 6-20 SCU Interrupt Overview**

Source of Interrupt	Short Name	Sticky Flag in DMPMIT	Default Interrupt Node (Request Output)
SWD OK 1 Interrupt	SWD_1	yes	Node 6C <sub>H</sub> (SCU_IRQ0)
SWD OK 2 Interrupt	SWD_2	yes	Node 6B <sub>H</sub> (SCU_IRQ1)
PVC_M OK 1 Interrupt	PVC_M1	yes	Node 6C <sub>H</sub> (SCU_IRQ0)
PVC_M OK 2 Interrupt	PVC_M2	yes	Node 6B <sub>H</sub> (SCU_IRQ1)
PVC_1 OK 1 Interrupt	PVC_1_1	yes	Node 6C <sub>H</sub> (SCU_IRQ0)
PVC_1 OK 2 Interrupt	PVC_1_2	yes	Node 6B <sub>H</sub> (SCU_IRQ1)
Wake-up Timer Interrupt	WUT	yes	Node 6B <sub>H</sub> (SCU_IRQ1)
Wake-up Trim Interrupt	WU	yes	Node 6C <sub>H</sub> (SCU_IRQ0)
Watchdog Timer Interrupt	WDT	--	Node 6B <sub>H</sub> (SCU_IRQ1)
GSC Interrupt	GSC	yes	Node 6C <sub>H</sub> (SCU_IRQ0)



**Figure 6-38 SCU Interrupt Structure**

The ten interrupt sources of the SCU module can be mapped to two interrupt nodes, by programming the interrupt node pointer registers INTNP0 and INTNP1. The default assignment of the interrupt sources to the nodes and their corresponding control register are shown in [Table 6-20](#). This table also lists which of the interrupt requests have a sticky flag in register DMPMIT in the DMP\_M domain.

## 6.11.2 SCU Interrupt Control Registers

### 6.11.2.1 Register INTSTAT

This register contains the interrupt request status flags for all interrupt request trigger sources of the SCU. For setting and clearing of the bits in this register by software, please see registers INTSET and INTCLR, respectively.

#### INTSTAT

Interrupt Status Register

SFR (FF00<sub>H</sub>/80<sub>H</sub>)

Reset Value: 0000<sub>H</sub>

15	14	13	12	11	10	9	8	7	6	5	4	3	2	1	0
0						<b>GSC</b>	<b>WDT</b>	<b>WU</b>	<b>WUT</b>	<b>PVC</b>	<b>PVC</b>	<b>PVC</b>	<b>PVC</b>	<b>SWD</b>	<b>SWD</b>
						<b>I</b>	<b>I</b>	<b>I</b>	<b>I</b>	<b>112</b>	<b>111</b>	<b>MI2</b>	<b>MI1</b>	<b>I2</b>	<b>I1</b>
						rh	rh	rh	rh	rh	rh	rh	rh	rh	rh

Field	Bits	Type	Description
<b>SWDI1</b>	0	rh	<p><b>SWD Interrupt Request Flag 1</b></p> <p>This bit is set if bit DMPMIT.SWDI1 is set.</p> <p>0<sub>B</sub> No interrupt was requested since this bit was cleared the last time</p> <p>1<sub>B</sub> An interrupt was requested since this bit was cleared the last time</p> <p>This bit can be cleared by bit INTCLR.SWDI1.</p> <p>This bit can be set by bit INTSET.SWDI1.</p>
<b>SWDI2</b>	1	rh	<p><b>SWD Interrupt Request Flag 2</b></p> <p>This bit is set if bit DMPMIT.SWDI2 is set.</p> <p>0<sub>B</sub> No interrupt was requested since this bit was cleared the last time</p> <p>1<sub>B</sub> An interrupt was requested since this bit was cleared the last time</p> <p>This bit can be cleared by bit INTCLR.SWDI2.</p> <p>This bit can be set by bit INTSET.SWDI2.</p>
<b>PVCM11</b>	2	rh	<p><b>PVC_M Interrupt Request Flag 1</b></p> <p>This bit is set if bit DMPMIT.PVCM11 is set.</p> <p>0<sub>B</sub> No interrupt was requested since this bit was cleared the last time</p> <p>1<sub>B</sub> An interrupt was requested since this bit was cleared the last time</p> <p>This bit can be cleared by bit INTCLR.PVCM11.</p> <p>This bit can be set by bit INTSET.PVCM11.</p>

Field	Bits	Type	Description
<b>PVCM12</b>	3	rh	<p><b>PVC_M Interrupt Request Flag 2</b>            This bit is set if bit DMPMIT.PVCM12 is set.            0<sub>B</sub> No interrupt was requested since this bit was cleared the last time            1<sub>B</sub> An interrupt was requested since this bit was cleared the last time            This bit can be cleared by bit INTCLR.PVCM12.            This bit can be set by bit INTSETPVCM12.</p>
<b>PVC111</b>	4	rh	<p><b>PVC_1 Interrupt Request Flag 1</b>            This bit is set if bit DMPMIT.PVC111 is set.            0<sub>B</sub> No interrupt was requested since this bit was cleared the last time            1<sub>B</sub> An interrupt was requested since this bit was cleared the last time            This bit can be cleared by bit INTCLR.PVC111.            This bit can be set by bit INTSET.PVC111.</p>
<b>PVC112</b>	5	rh	<p><b>PVC_1 Interrupt Request Flag 2</b>            This bit is set if bit DMPMIT.PVC112 is set.            0<sub>B</sub> No interrupt was requested since this bit was cleared the last time            1<sub>B</sub> An interrupt was requested since this bit was cleared the last time            This bit can be cleared by bit INTCLR.PVC112.            This bit can be set by bit INTSET.PVC112.</p>
<b>WUTI</b>	6	rh	<p><b>Wake-up Timer Trim Interrupt Request Flag</b>            This bit is set if the WUT trim trigger event occur and bit is INTDIS.WUTI = 0.            0<sub>B</sub> No interrupt was requested since this bit was cleared the last time            1<sub>B</sub> An interrupt was requested since this bit was cleared the last time            This bit can be cleared by bit INTCLR.WUTI.            This bit can be set by bit INTSET.WUTI.</p>



Field	Bits	Type	Description
<b>WUI</b>	7	rh	<p><b>Wake-up Timer Interrupt Request Flag</b>            This bit is set if the WU trigger event occur and bit is INTDIS.WUI = 0.</p> <p>0<sub>B</sub> No interrupt was requested since this bit was cleared the last time</p> <p>1<sub>B</sub> An interrupt was requested since this bit was cleared the last time</p> <p>This bit can be cleared by bit INTCLR.WUI.            This bit can be set by bit INTSET.WUI.</p>
<b>WDTI</b>	8	rh	<p><b>Watchdog Timer Interrupt Request Flag</b>            This bit is set if the WDT Prewarning Mode is entered and bit is INTDIS.WDTI = 0.</p> <p>0<sub>B</sub> No interrupt was requested since this bit was cleared the last time</p> <p>1<sub>B</sub> An interrupt was requested since this bit was cleared the last time</p> <p>This bit can be cleared by bit INTCLR.WDTI.            This bit can be set by bit INTSET.WDTI.</p>
<b>GSCI</b>	9	rh	<p><b>GSC Interrupt Request Flag</b>            This bit is set if the GSC error bit is set and bit is INTDIS.GSCI = 0.</p> <p>0<sub>B</sub> No interrupt was requested since this bit was cleared the last time</p> <p>1<sub>B</sub> An interrupt was requested since this bit was cleared the last time</p> <p>This bit can be cleared by bit INTCLR.GSCI.            This bit can be set by bit INTSET.GSCI.</p>
<b>0</b>	[15:10]	r	<p><b>Reserved</b>            Read as 0; should be written with 0.</p>

### 6.11.2.2 Register INTCLR

This register contains the software clear control for all interrupt request status flags of all SCU interrupt request trigger sources.

Clearing a bit in this register has no effect, reading a bit always returns zero.

#### INTCLR

Interrupt Clear Register

SFR (FE82<sub>H</sub>/41<sub>H</sub>)

Reset Value: 0000<sub>H</sub>

15	14	13	12	11	10	9	8	7	6	5	4	3	2	1	0
0						<b>GSC</b>	<b>WDT</b>	<b>WU</b>	<b>WUT</b>	<b>PVC</b>	<b>PVC</b>	<b>PVC</b>	<b>PVC</b>	<b>SWD</b>	<b>SWD</b>
						<b>I</b>	<b>I</b>	<b>I</b>	<b>I</b>	<b>112</b>	<b>111</b>	<b>MI2</b>	<b>MI1</b>	<b>I2</b>	<b>I1</b>
r						w	w	w	w	w	w	w	w	w	w

Field	Bits	Type	Description
<b>SWDI1</b>	0	w	<b>Clear SWD Interrupt Request Flag 1</b> Setting this bit clears bit INTSTAT.SWDI1. Clearing this bit has no effect. Reading this bit returns always zero.
<b>SWDI2</b>	1	w	<b>Clear SWD Interrupt Request Flag 2</b> Setting this bit clears bit INTSTAT.SWDI2. Clearing this bit has no effect. Reading this bit returns always zero.
<b>PVCMI1</b>	2	w	<b>Clear PVC_M Interrupt Request Flag 1</b> Setting this bit clears bit INTSTAT.PVCMI1. Clearing this bit has no effect. Reading this bit returns always zero.
<b>PVCMI2</b>	3	w	<b>Clear PVC_M Interrupt Request Flag 2</b> Setting this bit clears bit INTSTAT.PVCMI2. Clearing this bit has no effect. Reading this bit returns always zero.
<b>PVC111</b>	4	w	<b>Clear PVC_1 Interrupt Request Flag 1</b> Setting this bit clears bit INTSTAT.PVC111. Clearing this bit has no effect. Reading this bit returns always zero.
<b>PVC112</b>	5	w	<b>Clear PVC_1 Interrupt Request Flag 2</b> Setting this bit clears bit INTSTAT.PVC112. Clearing this bit has no effect. Reading this bit returns always zero.

Field	Bits	Type	Description
<b>WUTI</b>	6	w	<b>Clear Wake-up Trim Interrupt Request Flag</b> Setting this bit clears bit INTSTAT.WUTI. Clearing this bit has no effect. Reading this bit returns always zero.
<b>WUI</b>	7	w	<b>Clear Wake-up Interrupt Request Flag</b> Setting this bit clears bit INTSTAT.WUI. Clearing this bit has no effect. Reading this bit returns always zero.
<b>WDTI</b>	8	w	<b>Clear Watchdog Timer Interrupt Request Flag</b> Setting this bit clears bit INTSTAT.WDTI. Clearing this bit has no effect. Reading this bit returns always zero.
<b>GSCI</b>	9	w	<b>Clear GSC Interrupt Request Flag</b> Setting this bit clears bit INTSTAT.GSCI. Clearing this bit has no effect. Reading this bit returns always zero.
<b>0</b>	[15:10]	r	<b>Reserved</b> Read as 0; should be written with 0

### 6.11.2.3 Register INTSET

This register contains the software set option for all interrupt request status flags of all SCU interrupt request trigger sources.

Clearing a bit in this register has no effect, reading a bit always returns zero

#### INTSET

Interrupt Set Register

SFR (FE80<sub>H</sub>/40<sub>H</sub>)

Reset Value: 0000<sub>H</sub>

15	14	13	12	11	10	9	8	7	6	5	4	3	2	1	0
0						<b>GSC</b>	<b>WDT</b>	<b>WU</b>	<b>WUT</b>	<b>PVC</b>	<b>PVC</b>	<b>PVC</b>	<b>PVC</b>	<b>SWD</b>	<b>SWD</b>
r						<b>I</b>	<b>I</b>	<b>I</b>	<b>I</b>	<b>112</b>	<b>111</b>	<b>MI2</b>	<b>MI1</b>	<b>I2</b>	<b>I1</b>
						w	w	w	w	w	w	w	w	w	w

Field	Bits	Type	Description
<b>SWDI1</b>	0	w	<b>Set SWD Interrupt Request Flag 1</b> Setting this bit sets bit INTSTAT.SWDI1. Clearing this bit has no effect. Reading this bit returns always zero.

Field	Bits	Type	Description
<b>SWDI2</b>	1	w	<b>Set SWD Interrupt Request Flag 2</b> Setting this bit sets bit INTSTAT.SWDI2. Clearing this bit has no effect. Reading this bit returns always zero.
<b>PVCMI1</b>	2	w	<b>Set PVC_M Interrupt Request Flag 1</b> Setting this bit sets bit INTSTAT.PVCMI1. Clearing this bit has no effect. Reading this bit returns always zero.
<b>PVCMI2</b>	3	w	<b>Set PVC_M Interrupt Request Flag 2</b> Setting this bit sets bit INTSTAT.PVCMI2. Clearing this bit has no effect. Reading this bit returns always zero.
<b>PVC1I1</b>	4	w	<b>Set PVC_1 Interrupt Request Flag 1</b> Setting this bit sets bit INTSTAT.PVC1I1. Clearing this bit has no effect. Reading this bit returns always zero.
<b>PVC1I2</b>	5	w	<b>Set PVC_1 Interrupt Request Flag 2</b> Setting this bit sets bit INTSTAT.PVC1I2. Clearing this bit has no effect. Reading this bit returns always zero.
<b>WUTI</b>	6	w	<b>Set Wake-up Trim Interrupt Request Flag</b> Setting this bit sets bit INTSTAT.WUTI. Clearing this bit has no effect. Reading this bit returns always zero.
<b>WUI</b>	7	w	<b>Set Wake-up Interrupt Request Flag</b> Setting this bit sets bit INTSTAT.WUI. Clearing this bit has no effect. Reading this bit returns always zero.
<b>WDTI</b>	8	w	<b>Set Watchdog Timer Interrupt Request Flag</b> Setting this bit sets bit INTSTAT.WDTI. Clearing this bit has no effect. Reading this bit returns always zero.
<b>GSCI</b>	9	w	<b>Set GSC Interrupt Request Flag</b> Setting this bit sets bit INTSTAT.GSCI. Clearing this bit has no effect. Reading this bit returns always zero.
<b>0</b>	[15:10]	r	<b>Reserved</b> Read as 0; should be written with 0

### 6.11.2.4 Register INTDIS

This register contains the software disable control for all interrupt request trigger sources of the SCU.

#### INTDIS

Interrupt Disable Register

SFR (FE84<sub>H</sub>/42<sub>H</sub>)

Reset Value: 0000<sub>H</sub>

15	14	13	12	11	10	9	8	7	6	5	4	3	2	1	0
0						<b>GSC</b>	<b>WDT</b>	<b>WU</b>	<b>WUT</b>	<b>PVC</b>	<b>PVC</b>	<b>PVC</b>	<b>PVC</b>	<b>SWD</b>	<b>SWD</b>
						<b>I</b>	<b>I</b>	<b>I</b>	<b>I</b>	<b>112</b>	<b>111</b>	<b>MI2</b>	<b>MI1</b>	<b>I2</b>	<b>I1</b>
r						rw	rw	rw	rw	rw	rw	rw	rw	rw	rw

Field	Bits	Type	Description
<b>SWDI1</b>	0	rw	<b>Disable SWD Interrupt Request 1</b> 0 <sub>B</sub> An interrupt request can be generated for this source 1 <sub>B</sub> No interrupt request can be generated for this source
<b>SWDI2</b>	1	rw	<b>Disable SWD Interrupt Request 2</b> 0 <sub>B</sub> An interrupt request can be generated for this source 1 <sub>B</sub> No interrupt request can be generated for this source
<b>PVCMI1</b>	2	rw	<b>Disable PVC_M Interrupt Request 1</b> 0 <sub>B</sub> An interrupt request can be generated for this source 1 <sub>B</sub> No interrupt request can be generated for this source
<b>PVCMI2</b>	3	rw	<b>Disable PVC_M Interrupt Request 2</b> 0 <sub>B</sub> An interrupt request can be generated for this source 1 <sub>B</sub> No interrupt request can be generated for this source
<b>PVC111</b>	4	rw	<b>Disable PVC_1 Interrupt Request 1</b> 0 <sub>B</sub> An interrupt request can be generated for this source 1 <sub>B</sub> No interrupt request can be generated for this source

Field	Bits	Type	Description
PVC1I2	5	rw	<b>Disable PVC_1 Interrupt Request 2</b> 0 <sub>B</sub> An interrupt request can be generated for this source 1 <sub>B</sub> No interrupt request can be generated for this source
WUTI	6	rw	<b>Disable Wake-up Trim Interrupt Request</b> 0 <sub>B</sub> An interrupt request can be generated for this source 1 <sub>B</sub> No interrupt request can be generated for this source
WUI	7	rw	<b>Disable Wake-up Interrupt Request</b> 0 <sub>B</sub> An interrupt request can be generated for this source 1 <sub>B</sub> No interrupt request can be generated for this source
WDTI	8	rw	<b>Disable Watchdog Timer Interrupt Request</b> 0 <sub>B</sub> An interrupt request can be generated for this source 1 <sub>B</sub> No interrupt request can be generated for this source
GSCI	9	rw	<b>Disable GSC Interrupt Request</b> 0 <sub>B</sub> An interrupt request can be generated for this source 1 <sub>B</sub> No interrupt request can be generated for this source
0	[15:10]	r	<b>Reserved</b> Read as 0; should be written with 0

### 6.11.2.5 Registers INTNP0 and INPNP1

These registers contain the control for the interrupt node pointers of all SCU interrupt request trigger sources.

#### INTNP0

Interrupt Node Pointer 0 RegisterSFR (FE86<sub>H</sub>/43<sub>H</sub>)

Reset Value: 4444<sub>H</sub>

15	14	13	12	11	10	9	8	7	6	5	4	3	2	1	0
<b>WU</b>	<b>WUT</b>	<b>PVC12</b>	<b>PVC11</b>	<b>PVCM2</b>	<b>PVCM1</b>	<b>SWD2</b>	<b>SWD1</b>								
rw	rw	rw	rw	rw	rw	rw	rw								

Field	Bits	Type	Description
<b>SWD1</b>	[1:0]	rw	<p><b>Interrupt Node Pointer for SWD 1 Interrupts</b> This bit field defines the interrupt node, which is requested due to the set condition for bit INTSTAT.SWDI1 (if enabled by bit INTDIS.SWDI1).</p> <p>00<sub>B</sub> Interrupt node 6C<sub>H</sub> is selected 01<sub>B</sub> Interrupt node 6B<sub>H</sub> is selected 10<sub>B</sub> Reserved, do not use this combination 11<sub>B</sub> Reserved, do not use this combination</p>
<b>SWD2</b>	[3:2]	rw	<p><b>Interrupt Node Pointer for SWD 2 Interrupts</b> This bit field defines the interrupt node, which is requested due to the set condition for bit INTSTAT.SWDI2 (if enabled by bit INTDIS.SWDI2).</p> <p>00<sub>B</sub> Interrupt node 6C<sub>H</sub> is selected 01<sub>B</sub> Interrupt node 6B<sub>H</sub> is selected 10<sub>B</sub> Reserved, do not use this combination 11<sub>B</sub> Reserved, do not use this combination</p>
<b>PVCM1</b>	[5:4]	rw	<p><b>Interrupt Node Pointer for PVC_M 1 Interrupts</b> This bit field defines the interrupt node, which is requested due to the set condition for bit INTSTAT.PCVMI1 (if enabled by bit INTDIS.PVCMI1).</p> <p>00<sub>B</sub> Interrupt node 6C<sub>H</sub> is selected 01<sub>B</sub> Interrupt node 6B<sub>H</sub> is selected 10<sub>B</sub> Reserved, do not use this combination 11<sub>B</sub> Reserved, do not use this combination</p>
<b>PVCM2</b>	[7:6]	rw	<p><b>Interrupt Node Pointer for PVC_M 2 Interrupts</b> This bit field defines the interrupt node, which is requested due to the set condition for bit INTSTAT.PCVMI2 (if enabled by bit INTDIS.PVCMI2).</p> <p>00<sub>B</sub> Interrupt node 6C<sub>H</sub> is selected 01<sub>B</sub> Interrupt node 6B<sub>H</sub> is selected 10<sub>B</sub> Reserved, do not use this combination 11<sub>B</sub> Reserved, do not use this combination</p>

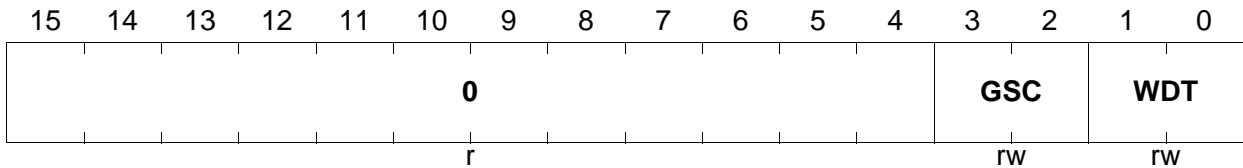
Field	Bits	Type	Description
<b>PVC11</b>	[9:8]	rw	<p><b>Interrupt Node Pointer for PVC_1 1 Interrupts</b>            This bit field defines the interrupt node, which is requested due to the set condition for bit INTSTAT.PCV111 (if enabled by bit INTDIS.PVC111).</p> <p>00<sub>B</sub> Interrupt node 6C<sub>H</sub> is selected            01<sub>B</sub> Interrupt node 6B<sub>H</sub> is selected            10<sub>B</sub> Reserved, do not use this combination            11<sub>B</sub> Reserved, do not use this combination</p>
<b>PVC12</b>	[11:10]	rw	<p><b>Interrupt Node Pointer for PVC_1 2 Interrupts</b>            This bit field defines the interrupt node, which is requested due to the set condition for bit INTSTAT.PCV112 (if enabled by bit INTDIS.PVC112).</p> <p>00<sub>B</sub> Interrupt node 6C<sub>H</sub> is selected            01<sub>B</sub> Interrupt node 6B<sub>H</sub> is selected            10<sub>B</sub> Reserved, do not use this combination            11<sub>B</sub> Reserved, do not use this combination</p>
<b>WUT</b>	[13:12]	rw	<p><b>Interrupt Node Pointer for WU Trim Interrupts</b>            This bit field defines the interrupt node, which is requested due to the set condition for bit INTSTAT.WUTI (if enabled by bit INTDIS.WUTI).</p> <p>00<sub>B</sub> Interrupt node 6C<sub>H</sub> is selected            01<sub>B</sub> Interrupt node 6B<sub>H</sub> is selected            10<sub>B</sub> Reserved, do not use this combination            11<sub>B</sub> Reserved, do not use this combination</p>
<b>WU</b>	[15:14]	rw	<p><b>Interrupt Node Pointer for WU Interrupts</b>            This bit field defines the interrupt node, which is requested due to the set condition for bit INTSTAT.WUI (if enabled by bit INTDIS.WUI).</p> <p>00<sub>B</sub> Interrupt node 6C<sub>H</sub> is selected            01<sub>B</sub> Interrupt node 6B<sub>H</sub> is selected            10<sub>B</sub> Reserved, do not use this combination            11<sub>B</sub> Reserved, do not use this combination</p>



**INTNP1**

**Interrupt Node Pointer 1 RegisterSFR (FE88<sub>H</sub>/44<sub>H</sub>)**

**Reset Value: 0001<sub>H</sub>**



Field	Bits	Type	Description
<b>WDT</b>	[1:0]	rw	<b>Interrupt Node Pointer for WDT Interrupts</b> This bit field defines the interrupt node, which is requested due to the set condition for bit INTSTAT.WDTI (if enabled by bit INTDIS.WDTI). 00 <sub>B</sub> Interrupt node 6C <sub>H</sub> is selected 01 <sub>B</sub> Interrupt node 6B <sub>H</sub> is selected 10 <sub>B</sub> Reserved, do not use this combination 11 <sub>B</sub> Reserved, do not use this combination
<b>GSC</b>	[3:2]	rw	<b>Interrupt Node Pointer for GSC Interrupts</b> This bit field defines the interrupt node, which is requested due to the set condition for bit INTSTAT.GSCI (if enabled by bit INTDIS.GSCI). 00 <sub>B</sub> Interrupt node 6C <sub>H</sub> is selected 01 <sub>B</sub> Interrupt node 6B <sub>H</sub> is selected 10 <sub>B</sub> Reserved, do not use this combination 11 <sub>B</sub> Reserved, do not use this combination
<b>0</b>	[15:4]	r	<b>Reserved</b> Read as 0; should be written with 0

### 6.11.3 SCU Trap Generation

The SCU receives eight trap lines, listed in [Table 6-21](#). The basic trap structure of the SCU is shown in [Figure 6-39](#). If enabled by the corresponding bit in register TRAPDIS, a trap is triggered either by a pulse on the incoming trap line, or by a software set of the respective bit in register TRAPSET. The trigger sets the respective flag in register TRAPSTAT and is gated to one of three trap nodes, selected by the node pointer register TRAPNP.

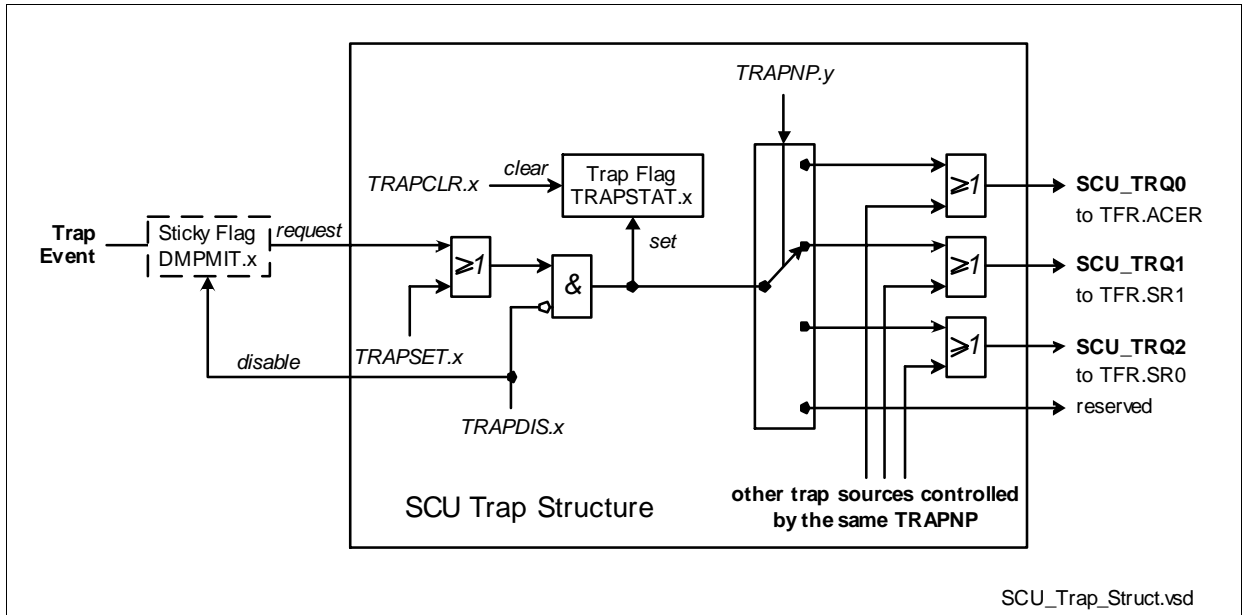
Four of the eight trap requests are first fed through a sticky flag register in the DMP\_M domain. In this way, the occurrence of a request is registered even when the DMP\_1 domain, including the SCU, is powered down. The registered event can then be processed when the SCU is in normal power mode again. Please note that the disable control of register TRAPDIS also influences the sticky bit in register DMPMIT (see [Section 6.11.5](#)).

The trap flag in register TRAPSTAT can be cleared by software by writing to the corresponding bit in register TRAPCLR.

If more than one trap source is connected to the same trap node pointer (via register TRAPNP), the requests are combined to one common line.

**Table 6-21 SCU Trap Request Overview**

Source of Trap	Short Name	Sticky Flag in DMPMIT	Default Trap Flag Assignment in Register TFR
Flash Access Traps	FA	---	TFR.ACER (SCU_TRQ0)
ESR0 Traps	ESR0	yes	TFR.SR1 (SCU_TRQ1)
ESR1 Traps	ESR1	yes	TFR.SR1 (SCU_TRQ1)
ESR2 Traps	ESR2	yes	TFR.SR1 (SCU_TRQ1)
PLL Traps	OSCWDT	---	TFR.SR1 (SCU_TRQ1)
Register Access Traps	RA	yes	TFR.ACER (SCU_TRQ0)
Parity Error Traps	PE	---	TFR.ACER (SCU_TRQ0)
VCO Lock Traps	VCOLCK	---	TFR.SR0 (SCU_TRQ2)



**Figure 6-39 SCU Trap Structure**

The eight trap sources of the system can be mapped to three trap nodes by programming the trap node pointer registers TRAPNP. The default assignment of the trap sources to the nodes and their corresponding control register is listed in [Table 6-21](#). This table also lists which of the trap requests have a sticky flag in register DMPMIT in the DMP\_M domain.

## 6.11.4 SCU Trap Control Registers

### 6.11.4.1 Register TRAPSTAT

This register contains the status flags for all trap request trigger sources of the SCU. For setting and clearing of these status bits by software, please see registers TRAPSET and TRAPCLR, respectively.

#### TRAPSTAT

Trap Status Register

SFR (FF02<sub>H</sub>/81<sub>H</sub>)

Reset Value: 0000<sub>H</sub>

15	14	13	12	11	10	9	8	7	6	5	4	3	2	1	0	
0								VCO LCK T	PE T	RA T	OSC WDT T	ESR 2T	ESR 1T	ESR 0T	FA T	
r								rh	rh	rh	rh	rh	rh	rh	rh	rh

Field	Bits	Type	Description
FAT	0	rh	<b>Flash Access Trap Request Flag</b> TRAPSTAT.FAT is set when a flash access violation occurs and TRAPDIS.FAT = 0. 0 <sub>B</sub> No pending FAT trap request 1 <sub>B</sub> An FAT trap request is pending
ESR0T	1	rh	<b>ESR0 Trap Request Flag</b> TRAPSTAT.ESR0T is set when bit DMPMIT.ESR0T is set and TRAPDIS.ESR0T = 0. 0 <sub>B</sub> No pending ESR0 trap request 1 <sub>B</sub> An ESR0 trap request is pending
ESR1T	2	rh	<b>ESR1 Trap Request Flag</b> TRAPSTAT.ESR1T is set when bit DMPMIT.ESR1T is set and TRAPDIS.ESR1T = 0. 0 <sub>B</sub> No pending ESR1 trap request 1 <sub>B</sub> An ESR1 trap request is pending
ESR2T	3	rh	<b>ESR2 Trap Request Flag</b> TRAPSTAT.ESR2T is set when bit DMPMIT.ESR0T is set and TRAPDIS.ESR2T = 0. 0 <sub>B</sub> No pending ESR2 trap request 1 <sub>B</sub> An ESR2 trap request is pending

Field	Bits	Type	Description
<b>OSCWDTT</b>	4	rh	<b>OSCWDT Trap Request Flag</b> TRAPSTAT.OSCWDTT is set when an OSCWDT emergency event occurs and TRAPDIS.OSCWDTT = 0. 0 <sub>B</sub> No pending OSCWDT trap request 1 <sub>B</sub> An OSCWDT trap request is pending
<b>RAT</b>	5	rh	<b>Register Access Trap Request Flag</b> TRAPSTAT.RAT is set when bit DMPMIT.RAT is set and TRAPDIS.RAT = 0. 0 <sub>B</sub> No pending RAT trap request 1 <sub>B</sub> An RAT trap request is pending
<b>PET</b>	6	rh	<b>Parity Error Trap Request Flag</b> TRAPSTAT.PET is set when a memory parity error occurs and TRAPDIS.PET = 0. 0 <sub>B</sub> No pending PET trap request 1 <sub>B</sub> An PET trap request is pending
<b>VCOLCKT</b>	7	rh	<b>VCOWDT Trap Request Flag</b> TRAPSTAT.VCOLCKT is set when a VCOLCK emergency event occurs and TRAPDIS.VCOLCKT = 0. 0 <sub>B</sub> No pending VCOLCK trap request 1 <sub>B</sub> An VCOLCK trap request is pending
<b>0</b>	[15:8]	r	<b>Reserved</b> Read as 0; should be written with 0.

### 6.11.4.2 Register TRAPCLR

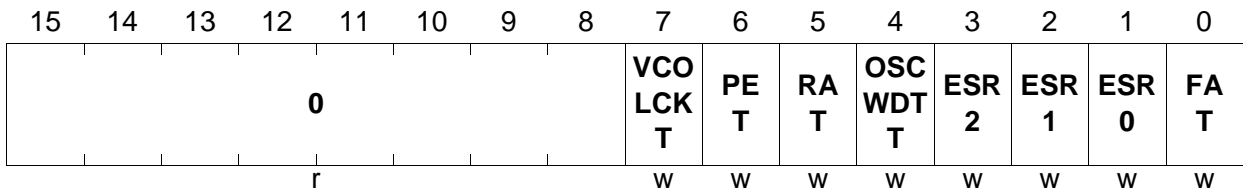
This register contains the software clear control for the trap status flags in register TRAPSTAT. Clearing a bit in this register has no effect, reading a bit always returns zero.

#### TRAPCLR

Trap Clear Register

SFR (FE8E<sub>H</sub>/47<sub>H</sub>)

Reset Value: 0000<sub>H</sub>



Field	Bits	Type	Description
<b>FAT</b>	0	w	<b>Clear Flash Access Trap Request Flag</b> 0 <sub>B</sub> Flag TRAPSTAT.FAT is left unchanged 1 <sub>B</sub> Flag TRAPSTAT.FAT is cleared
<b>ESR0T</b>	1	w	<b>Clear ESR0 Trap Request Flag</b> 0 <sub>B</sub> Flag TRAPSTAT.ESR0T is left unchanged 1 <sub>B</sub> Flag TRAPSTAT.ESR0T is cleared
<b>ESR1T</b>	2	w	<b>Clear ESR1 Trap Request Flag</b> 0 <sub>B</sub> Flag TRAPSTAT.ESR1T is left unchanged 1 <sub>B</sub> Flag TRAPSTAT.ESR1T is cleared
<b>ESR2T</b>	3	w	<b>Clear ESR2 Trap Request Flag</b> 0 <sub>B</sub> Flag TRAPSTAT.ESR2T is left unchanged 1 <sub>B</sub> Flag TRAPSTAT.ESR2T is cleared
<b>OSCWDTT</b>	4	w	<b>Clear OSCWDTT Trap Request Flag</b> 0 <sub>B</sub> Flag TRAPSTAT.OSCWDTT is left unchanged 1 <sub>B</sub> Flag TRAPSTAT.OSCWDTT is cleared
<b>RAT</b>	5	w	<b>Clear Register Access Trap Request Flag</b> 0 <sub>B</sub> Flag TRAPSTAT.RAT is left unchanged 1 <sub>B</sub> Flag TRAPSTAT.RAT is cleared
<b>PET</b>	6	w	<b>Clear Parity Error Access Trap Request Flag</b> 0 <sub>B</sub> Flag TRAPSTAT.PET is left unchanged 1 <sub>B</sub> Flag TRAPSTAT.PET is cleared
<b>VCOLCKT</b>	7	w	<b>Clear VCOLCKT Trap Request Flag</b> 0 <sub>B</sub> Flag TRAPSTAT.VCOLCKT is left unchanged 1 <sub>B</sub> Flag TRAPSTAT.VCOLCKT is cleared

Field	Bits	Type	Description
0	[15:8]	r	<b>Reserved</b> Read as 0; should be written with 0

### 6.11.4.3 Register TRAPSET

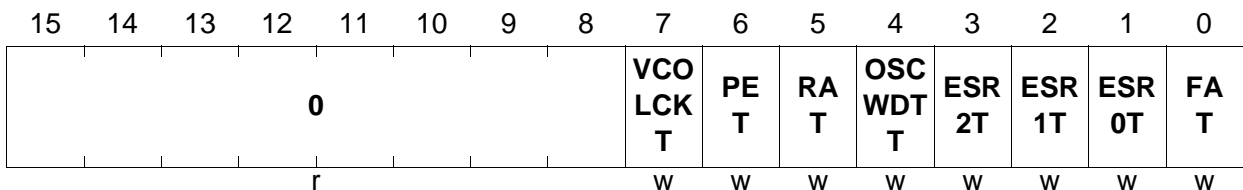
This register contains the software set control for the trap status flags in register TRAPSTAT. Clearing a bit in this register has no effect, reading a bit always returns zero.

#### TRAPSET

Trap Set Register

SFR (FE8C<sub>H</sub>/46<sub>H</sub>)

Reset Value: 0000<sub>H</sub>



Field	Bits	Type	Description
<b>FAT</b>	0	w	<b>Set Flash Access Trap Request Flag</b> 0 <sub>B</sub> Flag TRAPSTAT.FAT is left unchanged 1 <sub>B</sub> Flag TRAPSTAT.FAT is set
<b>ESR0T</b>	1	w	<b>Set ESR0 Trap Request Flag</b> 0 <sub>B</sub> Flag TRAPSTAT.ESR0T is left unchanged 1 <sub>B</sub> Flag TRAPSTAT.ESR0T is set
<b>ESR1T</b>	2	w	<b>Set ESR1 Trap Request Flag</b> 0 <sub>B</sub> Flag TRAPSTAT.ESR1T is left unchanged 1 <sub>B</sub> Flag TRAPSTAT.ESR1T is set
<b>ESR2T</b>	3	w	<b>Set ESR2 Trap Request Flag</b> 0 <sub>B</sub> Flag TRAPSTAT.ESR2T is left unchanged 1 <sub>B</sub> Flag TRAPSTAT.ESR2T is set
<b>OSCWDTT</b>	4	w	<b>Set OSCWDT Trap Request Flag</b> 0 <sub>B</sub> Flag TRAPSTAT.OSCWDTT is left unchanged 1 <sub>B</sub> Flag TRAPSTAT.OSCWDTT is set
<b>RAT</b>	5	w	<b>Set Register Access Trap Request Flag</b> 0 <sub>B</sub> Flag TRAPSTAT.RAT is left unchanged 1 <sub>B</sub> Flag TRAPSTAT.RAT is set

Field	Bits	Type	Description
<b>PET</b>	6	w	<b>Set Parity Error Access Trap Request Flag</b> 0 <sub>B</sub> Flag TRAPSTAT.PET is left unchanged 1 <sub>B</sub> Flag TRAPSTAT.PET is set
<b>VCOLCKT</b>	7	w	<b>Set VCOLCK Trap Request Flag</b> 0 <sub>B</sub> Flag TRAPSTAT.VCOLCKT is left unchanged 1 <sub>B</sub> Flag TRAPSTAT.VCOLCKT is set
<b>0</b>	[15:8]	r	<b>Reserved</b> Read as 0; should be written with 0.

#### 6.11.4.4 Register TRAPDIS

This register contains the software disable control for all trap request trigger sources. Note that the bits ESRxT and RAT in this register also disable the setting of the respective flags in register DMPMIT (see [Section 6.11.5](#)).

#### TRAPDIS

Trap Disable Register

SFR (FE90<sub>H</sub>/48<sub>H</sub>)

Reset Value: 009E<sub>H</sub>

15	14	13	12	11	10	9	8	7	6	5	4	3	2	1	0
			0					VCOLCKT	PET	RAT	OSCWDTT	ESR2	ESR2	ESR0	FAT
			r					rw	rw	rw	rw	rw	rw	rw	rw

Field	Bits	Type	Description
<b>FAT</b>	0	rw	<b>Disable Flash Access Trap Request</b> 0 <sub>B</sub> FAT trap request enabled 1 <sub>B</sub> FAT trap request disabled
<b>ESR0T</b>	1	rw	<b>Disable ESR0 Trap Request</b> 0 <sub>B</sub> ESR0 trap request enabled 1 <sub>B</sub> ESR0 trap request disabled
<b>ESR1T</b>	2	rw	<b>Disable ESR1 Trap Request</b> 0 <sub>B</sub> ESR1 trap request enabled 1 <sub>B</sub> ESR1 trap request disabled
<b>ESR2T</b>	3	rw	<b>Disable ESR2 Trap Request</b> 0 <sub>B</sub> ESR2 trap request enabled 1 <sub>B</sub> ESR2 trap request disabled



Field	Bits	Type	Description
OSCWDTT	4	rw	<b>Disable OSCWDT Trap Request</b> 0 <sub>B</sub> OSCWDT trap request enabled 1 <sub>B</sub> OSCWDT trap request disabled
RAT	5	rw	<b>Disable Register Access Trap Request</b> 0 <sub>B</sub> RAT trap request enabled 1 <sub>B</sub> RAT trap request disabled
PET	6	rw	<b>Disable Parity Error Trap Request</b> 0 <sub>B</sub> PET trap request enabled 1 <sub>B</sub> PET trap request disabled
VCOLCKT	7	rw	<b>Disable VCOLCK Trap Request</b> 0 <sub>B</sub> VCOLCK trap request enabled 1 <sub>B</sub> VCOLCK trap request disabled
0	[15:8]	r	<b>Reserved</b> Read as 0; should be written with 0.

#### 6.11.4.5 Register TRAPNP

This register contains the control for the trap node pointers of all SCU trap request trigger sources.

#### TRAPNP

Trap Node Pointer Register

SFR (FE92<sub>H</sub>/49<sub>H</sub>)

Reset Value: 8254<sub>H</sub>

15	14	13	12	11	10	9	8	7	6	5	4	3	2	1	0
VCOLCK		PE		RA		OSCWDT		ESR2		ESR1		ESR0		FA	
rw		rw		rw		rw		rw		rw		rw		rw	

Field	Bits	Type	Description
FA	[1:0]	rw	<b>Trap Node Pointer for Flash Access Traps</b> TRAPNP.FA selects the trap request output for an enabled FAT trap request. 00 <sub>B</sub> Select request output SCU_TRQ0 (TFR.ACER) 01 <sub>B</sub> Select request output SCU_TRQ1 (TFR.SR1) 10 <sub>B</sub> Select request output SCU_TRQ2 (TFR.SR0) 11 <sub>B</sub> Reserved, do not use this combination

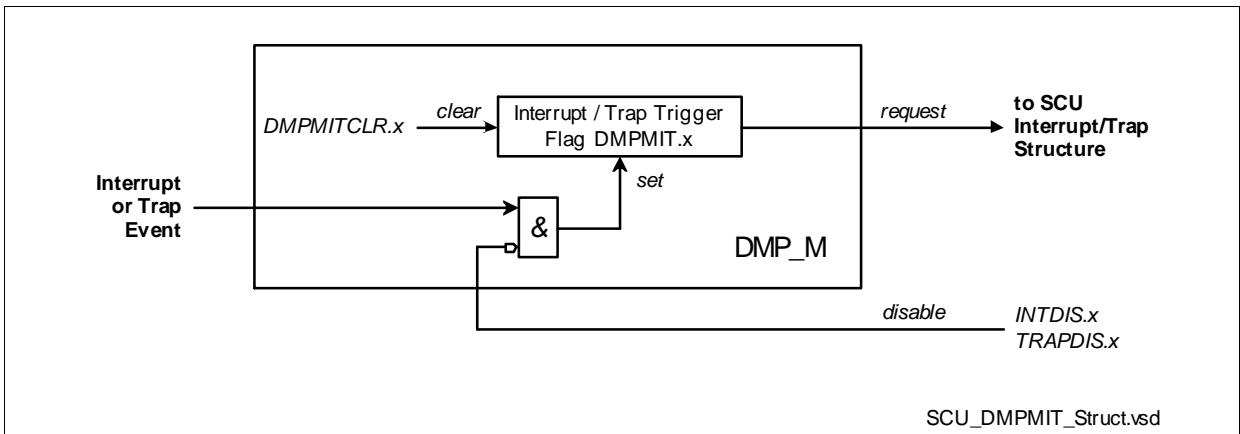
Field	Bits	Type	Description
<b>ESR0</b>	[3:2]	rw	<p><b>Trap Node Pointer for ESR0 Traps</b> TRAPNP.ESR0 selects the trap request output for an enabled ESR0 trap request.</p> <p>00<sub>B</sub> Select request output SCU_TRQ0 (TFR.ACER)            01<sub>B</sub> Select request output SCU_TRQ1 (TFR.SR1)            10<sub>B</sub> Select request output SCU_TRQ2 (TFR.SR0)            11<sub>B</sub> Reserved, do not use this combination</p>
<b>ESR1</b>	[5:4]	rw	<p><b>Trap Node Pointer for ESR1 Traps</b> TRAPNP.ESR1 selects the trap request output for an enabled ESR1 trap request.</p> <p>00<sub>B</sub> Select request output SCU_TRQ0 (TFR.ACER)            01<sub>B</sub> Select request output SCU_TRQ1 (TFR.SR1)            10<sub>B</sub> Select request output SCU_TRQ2 (TFR.SR0)            11<sub>B</sub> Reserved, do not use this combination</p>
<b>ESR2</b>	[7:6]	rw	<p><b>Trap Node Pointer for ESR2 Traps</b> TRAPNP.ESR2 selects the trap request output for an enabled ESR2 trap request.</p> <p>00<sub>B</sub> Select request output SCU_TRQ0 (TFR.ACER)            01<sub>B</sub> Select request output SCU_TRQ1 (TFR.SR1)            10<sub>B</sub> Select request output SCU_TRQ2 (TFR.SR0)            11<sub>B</sub> Reserved, do not use this combination</p>
<b>OSCWDT</b>	[9:8]	rw	<p><b>Trap Node Pointer for OSCWDT Traps</b> TRAPNP.OSCWDT selects the trap request output for an enabled OSCWDT trap request.</p> <p>00<sub>B</sub> Select request output SCU_TRQ0 (TFR.ACER)            01<sub>B</sub> Select request output SCU_TRQ1 (TFR.SR1)            10<sub>B</sub> Select request output SCU_TRQ2 (TFR.SR0)            11<sub>B</sub> Reserved, do not use this combination</p>
<b>RA</b>	[11:10]	rw	<p><b>Trap Node Pointer for Register Access Traps</b> TRAPNP.RA selects the trap request output for an enabled RAT trap request.</p> <p>00<sub>B</sub> Select request output SCU_TRQ0 (TFR.ACER)            01<sub>B</sub> Select request output SCU_TRQ1 (TFR.SR1)            10<sub>B</sub> Select request output SCU_TRQ2 (TFR.SR0)            11<sub>B</sub> Reserved, do not use this combination</p>

Field	Bits	Type	Description
<b>PE</b>	[13:12]	rw	<p><b>Trap Node Pointer for Parity Error Traps</b>            TRAPNP.PE selects the trap request output for an enabled PET trap request.</p> <p>00<sub>B</sub> Select request output SCU_TRQ0 (TFR.ACER)            01<sub>B</sub> Select request output SCU_TRQ1 (TFR.SR1)            10<sub>B</sub> Select request output SCU_TRQ2 (TFR.SR0)            11<sub>B</sub> Reserved, do not use this combination</p>
<b>VCOLCK</b>	[15:14]	rw	<p><b>Trap Node Pointer for VCOLCK Traps</b>            TRAPNP.VCOLCK selects the trap request output for an enabled VCOLCK trap request.</p> <p>00<sub>B</sub> Select request output SCU_TRQ0 (TFR.ACER)            01<sub>B</sub> Select request output SCU_TRQ1 (TFR.SR1)            10<sub>B</sub> Select request output SCU_TRQ2 (TFR.SR0)            11<sub>B</sub> Reserved, do not use this combination</p>

### 6.11.5 DPM\_M Interrupt and Trap Support

For a number of SCU interrupt and trap requests, sticky status flags are implemented additionally in the DMP\_M. These flags are set with a trigger, and if set, trigger the interrupt or trap generation in the DMP\_1 SCU. In this way, no trap trigger is lost, even when the DMP\_1 is currently not powered. The flags are located in register DMPMIT.

Please note that the disable control bits in registers INTDIS and TRAPDIS also control the setting of the respective DMPMIT.x flag, as illustrated in [Figure 6-40](#).



**Figure 6-40 DPM\_M Sticky Interrupt and Trap Flags**

## 6.11.6 DPM\_M Interrupt and Trap Registers

### 6.11.6.1 Register DMPMIT

This register holds the sticky interrupt and trap flags within the DMP\_M power domain.

#### DMPMIT

**DMP\_M Int. and Trap Trigger Register SFR (FE96<sub>H</sub>/4B<sub>H</sub>)** **Reset Value: 0000<sub>H</sub>**

15	14	13	12	11	10	9	8	7	6	5	4	3	2	1	0
<b>RAT</b>	<b>0</b>	<b>ESR 2T</b>	<b>ESR 1T</b>	<b>ESR 0T</b>	<b>0</b>	<b>GSCI</b>	<b>WUI</b>	<b>WUT I</b>	<b>PVC 1I2</b>	<b>PVC 1I1</b>	<b>PVC MI2</b>	<b>PVC MI1</b>	<b>SWD I2</b>	<b>SWD I1</b>	
rh	rh	rh	rh	rh	rh	rh	rh	rh	rh	rh	rh	rh	rh	rh	rh

Field	Bits	Type	Description
<b>SWDI1</b>	0	rh	<p><b>SWD Interrupt Request Flag 1</b></p> <p>This bit is set if bit SWDCON0.L1OK is cleared and SWDCON0.L1ACON = 01<sub>B</sub> and bit is INTDIS.SWDI1 = 0.</p> <p>0<sub>B</sub> No interrupt was requested since this bit was cleared the last time</p> <p>1<sub>B</sub> An interrupt was requested since this bit was cleared the last time</p>
<b>SWDI2</b>	1	rh	<p><b>SWD Interrupt Request Flag 2</b></p> <p>This bit is set if bit SWDCON0.L2OK is cleared and SWDCON0.L2ACON = 01<sub>B</sub> and bit is INTDIS.SWDI2 = 0.</p> <p>0<sub>B</sub> No interrupt was requested since this bit was cleared the last time</p> <p>1<sub>B</sub> An interrupt was requested since this bit was cleared the last time</p>
<b>PVCMI1</b>	2	rh	<p><b>PVC_M Interrupt Request Flag 1</b></p> <p>This bit is set if bit PVCMCON0.L1OK is cleared and PVCMCON0.L1INTEN = 1<sub>B</sub> and bit is INTDIS.PVCMI1 = 0.</p> <p>0<sub>B</sub> No interrupt was requested since this bit was cleared the last time</p> <p>1<sub>B</sub> An interrupt was requested since this bit was cleared the last time</p>

Field	Bits	Type	Description
<b>PVCM12</b>	3	rh	<p><b>PVC_M Interrupt Request Flag 2</b></p> <p>This bit is set if bit PVCMCON0.L2OK is cleared and PVCMCON0.L2INTEN = 1<sub>B</sub> and bit is INTDIS.PVCM12 = 0.</p> <p>0<sub>B</sub> No interrupt was requested since this bit was cleared the last time</p> <p>1<sub>B</sub> An interrupt was requested since this bit was cleared the last time</p>
<b>PVC111</b>	4	rh	<p><b>PVC_1 Interrupt Request Flag 1</b></p> <p>This bit is set if bit PVC1CON0.L1OK is cleared and PVC1CON0.L1INTEN = 1<sub>B</sub> and bit is INTDIS.PVC111 = 0.</p> <p>0<sub>B</sub> No interrupt was requested since this bit was cleared the last time</p> <p>1<sub>B</sub> An interrupt was requested since this bit was cleared the last time</p>
<b>PVC112</b>	5	rh	<p><b>PVC_1 Interrupt Request Flag 2</b></p> <p>This bit is set if bit PVC1CON0.L2OK is cleared and PVC1CON0.L2INTEN = 1<sub>B</sub> and bit is INTDIS.PVC112 = 0.</p> <p>0<sub>B</sub> No interrupt was requested since this bit was cleared the last time</p> <p>1<sub>B</sub> An interrupt was requested since this bit was cleared the last time</p>
<b>WUTI</b>	6	rh	<p><b>Wake-up Trim Interrupt Request Flag</b></p> <p>This bit is set if a wake-up trim trigger occurs and bit is INTDIS.WUTI = 0.</p> <p>0<sub>B</sub> No interrupt was requested since this bit was cleared the last time</p> <p>1<sub>B</sub> An interrupt was requested since this bit was cleared the last time</p>
<b>WUI</b>	7	rh	<p><b>Wake-up Interrupt Request Flag</b></p> <p>This bit is set if a wake-up trigger occurs and bit is INTDIS.WUI = 0.</p> <p>0<sub>B</sub> No interrupt was requested since this bit was cleared the last time</p> <p>1<sub>B</sub> An interrupt was requested since this bit was cleared the last time</p>

Field	Bits	Type	Description
<b>GSCI</b>	8	rh	<p><b>GSC Interrupt Request Flag</b> This bit is set if a GSC trigger occurs and bit is INTDIS.GSCI = 0.</p> <p>0<sub>B</sub> No interrupt was requested since this bit was cleared the last time</p> <p>1<sub>B</sub> An interrupt was requested since this bit was cleared the last time</p>
<b>ESR0T</b>	11	rh	<p><b>ESR0 Trap Request Flag</b> This bit is set if pin ESR0 is asserted.</p> <p>0<sub>B</sub> No trap was requested since this bit was cleared the last time</p> <p>1<sub>B</sub> A trap was requested since this bit was cleared the last time</p>
<b>ESR1T</b>	12	rh	<p><b>ESR1 Trap Request Flag</b> This bit is set if pin ESR1 is asserted.</p> <p>0<sub>B</sub> No trap was requested since this bit was cleared the last time</p> <p>1<sub>B</sub> A trap was requested since this bit was cleared the last time</p>
<b>ESR2T</b>	13	rh	<p><b>ESR2 Trap Request Flag</b> This bit is set if pin ESR2 is asserted.</p> <p>0<sub>B</sub> No trap was requested since this bit was cleared the last time</p> <p>1<sub>B</sub> A trap was requested since this bit was cleared the last time</p>
<b>RAT</b>	15	rh	<p><b>Register Access Trap Request Flag</b> This bit is set a protected register is written by an non-authorized access.</p> <p>0<sub>B</sub> No trap was requested since this bit was cleared the last time</p> <p>1<sub>B</sub> A trap was requested since this bit was cleared the last time</p>
<b>0</b>	[10:9] 14	rh	<p><b>Reserved</b> Read as 0; should be written with 0.</p>

### 6.11.6.2 Register DMPMITCLR

This register contains the software clear control for all status flags of all interrupt and trap request trigger sources of the DMP\_M power domain.

Clearing a bit in this register has no effect, reading a bit always returns zero.

#### DMPMITCLR

**DMP\_M Int. and Trap Clear RegisterSFR (FE98<sub>H</sub>/4C<sub>H</sub>)**

**Reset Value: 0000<sub>H</sub>**

15	14	13	12	11	10	9	8	7	6	5	4	3	2	1	0
RAT	0	ESR 2T	ESR 1T	ESR 0T	0	GSCI	WUI	WUT I	PVC 1I2	PVC 1I1	PVC MI2	PVC MI1	SWD I2	SWD I1	
w	r	w	w	w	r	w	w	w	w	w	w	w	w	w	w

Field	Bits	Type	Description
<b>SWDI1</b>	0	w	<b>Clear SWD1 Interrupt Request Flag 1</b> Setting this bit clears bit DMPMIT.SWDI1. Clearing this bit has no effect. Reading this bit returns always zero.
<b>SWDI2</b>	1	w	<b>Clear SWD Interrupt Request Flag 2</b> Setting this bit clears bit DMPMIT.SWDI2. Clearing this bit has no effect. Reading this bit returns always zero.
<b>PVCMI1</b>	2	w	<b>Clear PVC_M Interrupt Request Flag 1</b> Setting this bit clears bit DMPMIT.PVCM111. Clearing this bit has no effect. Reading this bit returns always zero.
<b>PVCMI2</b>	3	w	<b>Clear PVC_M Interrupt Request Flag 2</b> Setting this bit clears bit DMPMIT.PVCM112. Clearing this bit has no effect. Reading this bit returns always zero.
<b>PVC1I1</b>	4	w	<b>Clear PVC_1 Interrupt Request Flag 1</b> Setting this bit clears bit DMPMIT.PVC111. Clearing this bit has no effect. Reading this bit returns always zero.
<b>PVC1I2</b>	5	w	<b>Clear PVC_1 Interrupt Request Flag 2</b> Setting this bit clears bit DMPMIT.PVC112. Clearing this bit has no effect. Reading this bit returns always zero.



Field	Bits	Type	Description
WUTI	6	w	<b>Clear Wake-up Trim Interrupt Request Flag</b> Setting this bit clears bit DMPMIT.WUTI. Clearing this bit has no effect. Reading this bit returns always zero.
WUI	7	w	<b>Clear Wake-up Interrupt Request Flag</b> Setting this bit clears bit DMPMIT.WUI. Clearing this bit has no effect. Reading this bit returns always zero.
GSCI	8	w	<b>Clear GSC Interrupt Request Flag</b> Setting this bit clears bit DMPMIT.GSCI. Clearing this bit has no effect. Reading this bit returns always zero.
ESR0T	11	w	<b>Clear ESR0 Trap Request Flag</b> Setting this bit clears bit DMPMIT.ESR0T. Clearing this bit has no effect. Reading this bit returns always zero.
ESR1T	12	w	<b>Clear ESR1 Trap Request Flag</b> Setting this bit clears bit DMPMIT.ESR1T. Clearing this bit has no effect. Reading this bit returns always zero.
ESR2T	13	w	<b>Clear ESR2 Trap Request Flag</b> Setting this bit clears bit DMPMIT.ESR2T. Clearing this bit has no effect. Reading this bit returns always zero.
RAT	15	w	<b>Clear Register Access Trap Request Flag</b> Setting this bit clears bit DMPMIT.RAT. Clearing this bit has no effect. Reading this bit returns always zero.
0	[10:9] 14	r	<b>Reserved</b> Read as 0; should be written with 0.

## 6.11.7 Alternate Interrupt Assignment Register

### 6.11.7.1 Register ISSR

In order to map the interrupt request sources in the complete system to the available interrupt nodes, 16 interrupt nodes are shared between the CC2 and other interrupt sources.

#### ISSR

**Interrupt Source Select Register SFR (FF2E<sub>H</sub>/97<sub>H</sub>)**

**Reset Value: 0000<sub>H</sub>**

15	14	13	12	11	10	9	8	7	6	5	4	3	2	1	0
<b>ISS 15</b>	<b>ISS 14</b>	<b>ISS 13</b>	<b>ISS 12</b>	<b>ISS 11</b>	<b>ISS 10</b>	<b>ISS 9</b>	<b>ISS 8</b>	<b>ISS 7</b>	<b>ISS 6</b>	<b>ISS 5</b>	<b>ISS 4</b>	<b>ISS 3</b>	<b>ISS 2</b>	<b>ISS 1</b>	<b>ISS 0</b>
rw	rw	rw	rw	rw	rw	rw	rw	rw	rw	rw	rw	rw	rw	rw	rw

Field	Bits	Type	Description
<b>ISS0</b>	0	rw	<b>Interrupt Source Select for CCU2_CC16IC</b> 0 <sub>B</sub> CCU2 channel 16 is used as interrupt source 1 <sub>B</sub> External interrupt request ERU_IOUT0 is used
<b>ISS1</b>	1	rw	<b>Interrupt Source Select for CCU2_CC17IC</b> 0 <sub>B</sub> CCU2 channel 17 is used as interrupt source 1 <sub>B</sub> External interrupt request ERU_IOUT1 is used
<b>ISS2</b>	2	rw	<b>Interrupt Source Select for CCU2_CC18IC</b> 0 <sub>B</sub> CCU2 channel 18 is used as interrupt source 1 <sub>B</sub> External interrupt request ERU_IOUT2 is used
<b>ISS3</b>	3	rw	<b>Interrupt Source Select for CCU2_CC19IC</b> 0 <sub>B</sub> CCU2 channel 19 is used as interrupt source 1 <sub>B</sub> External interrupt request ERU_IOUT3 is used
<b>ISS4</b>	4	rw	<b>Interrupt Source Select for CCU2_CC20IC</b> 0 <sub>B</sub> CCU2 channel 20 is used as interrupt source 1 <sub>B</sub> USIC0 Interrupt Request 6 is used
<b>ISS5</b>	5	rw	<b>Interrupt Source Select for CCU2_CC21IC</b> 0 <sub>B</sub> CCU2 channel 21 is used as interrupt source 1 <sub>B</sub> USIC0 Interrupt Request 7 is used
<b>ISS6</b>	6	rw	<b>Interrupt Source Select for CCU2_CC22IC</b> 0 <sub>B</sub> CCU2 channel 22 is used as interrupt source 1 <sub>B</sub> USIC1 Interrupt Request 6 is used

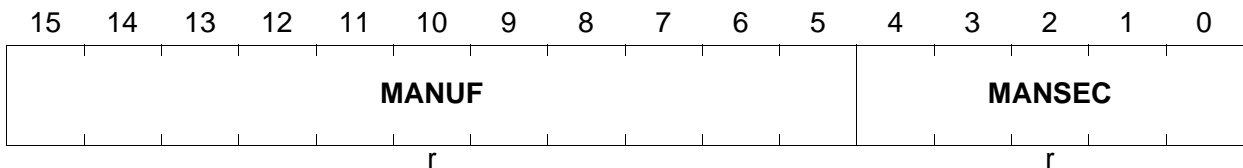
Field	Bits	Type	Description
<b>ISS7</b>	7	rw	<b>Interrupt Source Select for CCU2_CC23IC</b> 0 <sub>B</sub> CCU2 channel 23 is used as interrupt source 1 <sub>B</sub> USIC1 Interrupt Request 7 is used
<b>ISS8</b>	8	rw	<b>Interrupt Source Select for CCU2_CC24IC</b> 0 <sub>B</sub> CCU2 channel 24 is used as interrupt source 1 <sub>B</sub> External interrupt request ERU_IOUT0 is used
<b>ISS9</b>	9	rw	<b>Interrupt Source Select for CCU2_CC25IC</b> 0 <sub>B</sub> CCU2 channel 25 is used as interrupt source 1 <sub>B</sub> External interrupt request ERU_IOUT1 is used
<b>ISS10</b>	10	rw	<b>Interrupt Source Select for CCU2_CC26IC</b> 0 <sub>B</sub> CCU2 channel 26 is used as interrupt source 1 <sub>B</sub> External interrupt request ERU_IOUT2 is used
<b>ISS11</b>	11	rw	<b>Interrupt Source Select for CCU2_CC27IC</b> 0 <sub>B</sub> CCU2 channel 27 is used as interrupt source 1 <sub>B</sub> External interrupt request ERU_IOUT3 is used
<b>ISS12</b>	12	rw	<b>Interrupt Source Select for CCU2_CC28IC</b> 0 <sub>B</sub> CCU2 channel 28 is used as interrupt source 1 <sub>B</sub> USIC2 Interrupt Request 6 is used
<b>ISS13</b>	13	rw	<b>Interrupt Source Select for CCU2_CC29IC</b> 0 <sub>B</sub> CCU2 channel 29 is used as interrupt source 1 <sub>B</sub> USIC2 Interrupt Request 7 is used
<b>ISS14</b>	14	rw	<b>Interrupt Source Select for CCU2_CC30IC</b> 0 <sub>B</sub> CCU2 channel 30 is used as interrupt source 1 <sub>B</sub> Select SCU Interrupt Request 0 (SCU_IRQ0)
<b>ISS15</b>	15	rw	<b>Interrupt Source Select for CCU2_CC31IC</b> 0 <sub>B</sub> CCU2 channel 31 is used as interrupt source 1 <sub>B</sub> Select SCU Interrupt Request 1(SCU_IRQ1)

## 6.12 Identification Block

For identification of the most important silicon parameters a set of identification registers is defined that provide information on the chip manufacturer, the chip type and its properties.

### IDMANUF

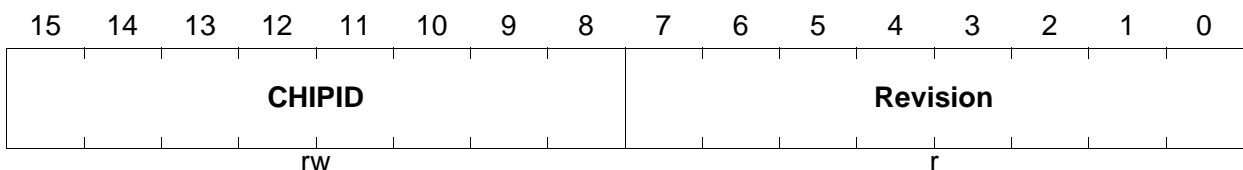
**Manufacturer Identif. Reg.**      **ESFR (F07E<sub>H</sub>/3F<sub>H</sub>)**      **Reset Value: 1820<sub>H</sub>**



Field	Bits	Type	Description
MANSEC	[4:0]	r	<b>Section within Manufacturer</b> Indicates the department within Infineon. 00 <sub>H</sub> Standard microcontroller
MANUF	[15:5]	r	<b>Manufacturer</b> This is the JEDEC normalized manufacturer code. 0C1 <sub>H</sub> Infineon Technologies AG

### IDCHIP

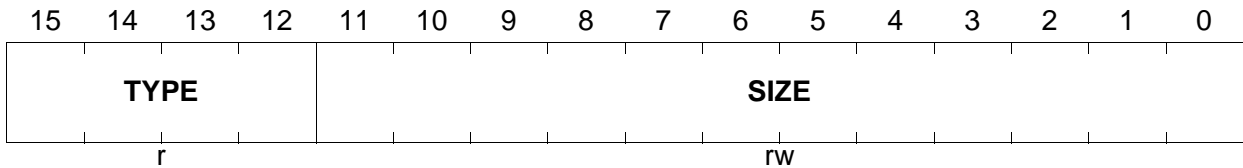
**Chip Identification Register**      **ESFR (F07C<sub>H</sub>/3E<sub>H</sub>)**      **Reset Value: XXXX<sub>H</sub>**



Field	Bits	Type	Description
Revision	[7:0]	r	<b>Device Revision Code</b> Identifies the device step.
CHIPID	[15:8]	rw	<b>Device Identification</b> Identifies the device name (reference via table).

**IDMEM**

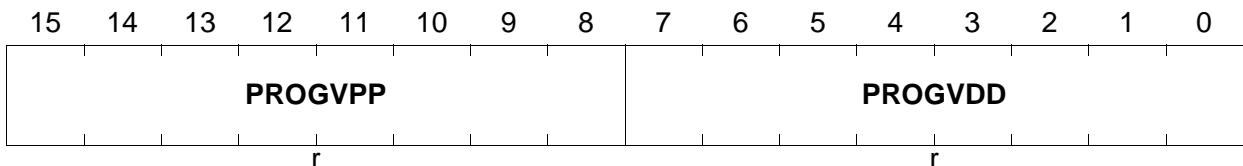
**Program Memory Identif. Reg. ESFR (F07A<sub>H</sub>/3D<sub>H</sub>)** **Reset Value: 3XXX<sub>H</sub>**



Field	Bits	Type	Description
<b>SIZE</b>	[11:0]	rw	<b>Size of on-chip Program Memory</b> The size of the implemented program memory in terms of 4-Kbyte blocks, i.e. memory size = <SIZE> × 4 Kbytes.
<b>TYPE</b>	[15:12]	r	<b>Type of on-chip Program Memory</b> Identifies the memory type on this silicon. 3 <sub>H</sub> Flash memory

**IDPROG**

**Prog. Voltage Identif. Register ESFR (F078<sub>H</sub>/3C<sub>H</sub>)** **Reset Value: 1313<sub>H</sub>**



Field	Bits	Type	Description
<b>PROGVDD</b>	[7:0]	r	<b>Programming VDD Voltage</b> The voltage of the standard power supply required to program or erase (if applicable) the on-chip program memory. Formula: $V_{DD} = 20 \times \text{<PROGVDD>} / 256$ [V].
<b>PROGVPP</b>	[15:8]	r	<b>Programming VPP Voltage</b> The voltage of the special programming power supply (if existent) required to program or erase (if applicable) the on-chip program memory. Formula: $V_{PP} = 20 \times \text{<PROGVPP>} / 256$ [V] <sup>1)</sup> .

<sup>1)</sup> The XC2000 needs no special programming voltage and PROGVPP = PROGVDD.

### 6.13 SCU Register Addresses

The SCU registers are within the (E)SFR space of the XC2000. Therefore, their specified addresses equal an offset from zero.

**Table 6-22 Registers Address Space**

Module	Base Address	End Address	Note
SCU	00 0000 <sub>H</sub>	00 FFFE <sub>H</sub>	

### Kernel Register Overview

**Table 6-23 Register Overview of SCU**

Short Name	Register Long Name	Offset Addr.	Protection <sup>1)</sup>	Reset	Power Domain
<b>WUOSCCON</b>	Wake-up OSC Control Register	F1AE <sub>H</sub>	Sec	Power-on Reset	DMP_M
<b>HPOSCCON</b>	High Precision Oscillator Configuration Register	F1B4 <sub>H</sub>	Sec	Power-on Reset	DMP_M
<b>PLLOSCCON</b>	PLL Clock Control Register	F1B6 <sub>H</sub>	Sec	Power-on Reset	DMP_1
<b>PLLSTAT</b>	PLL Status Register	F1BC <sub>H</sub>	-	Power-on Reset	DMP_1
<b>PLLCON0</b>	PLL Configuration 0 Register	F1B8 <sub>H</sub>	Sec	Power-on Reset	DMP_1
<b>PLLCON1</b>	PLL Configuration 1 Register	F1BA <sub>H</sub>	Sec	Power-on Reset	DMP_1
<b>PLLCON2</b>	PLL Configuration 2 Register	F1BC <sub>H</sub>	Sec	Power-on Reset	DMP_1
<b>PLLCON3</b>	PLL Configuration 3 Register	F1BE <sub>H</sub>	Sec	Power-on Reset	DMP_1
<b>SYSCON0</b>	System Configuration 0 Register	FF4A <sub>H</sub>	Sec	Power-on Reset	DMP_M
<b>STATCLR0</b>	Status Clear 0 Register	F0E0 <sub>H</sub>	Sec	System Reset	DMP_1
<b>STATCLR1</b>	Status Clear 1 Register	F0E2 <sub>H</sub>	Sec	System Reset	DMP_1

**Table 6-23 Register Overview of SCU**

Short Name	Register Long Name	Offset Addr.	Protection <sup>1)</sup>	Reset	Power Domain
<b>RTCCLKCON</b>	RTC Clock Control Register	FF4E <sub>H</sub>	Sec	System Reset	DMP_1
<b>EXTCON</b>	External Clock Control Register	FF5E <sub>H</sub>	Sec	System Reset	DMP_1
<b>WICR</b>	Wake-up Interval Count Register	F0B0 <sub>H</sub>	Sec	Power-on Reset	DMP_M
<b>WUCR</b>	Wake-up Control Register	F1B0 <sub>H</sub>	Sec	Power-on Reset	DMP_M
<b>RSTSTAT0</b>	Reset Status 0 Register	F0B2 <sub>H</sub>	-	Power-on Reset	DMP_M
<b>RSTSTAT1</b>	Reset Status 1 Register	F0B4 <sub>H</sub>	-	Power-on Reset	DMP_M
<b>RSTSTAT2</b>	Reset Status 2 Register	F0B6 <sub>H</sub>	-	Power-on Reset	DMP_M
<b>RSTCON0</b>	Reset Configuration 0 Register	F0B8 <sub>H</sub>	Sec	Power-on Reset	DMP_M
<b>RSTCON1</b>	Reset Configuration 1 Register	F0BA <sub>H</sub>	Sec	Power-on Reset	DMP_M
<b>RSTCNTCON</b>	Reset Counter Configuration Register	F1B2 <sub>H</sub>	Sec	Power-on Reset	DMP_M
<b>SWRSTCON</b>	SW Reset Control Register	F0AE <sub>H</sub>	Sec	Power-on Reset	DMP_M
<b>ESREXCON1</b>	ESR 1 External Control Register	FF32 <sub>H</sub>	Sec	System Reset	DMP_M
<b>ESREXCON2</b>	ESR 2 External Control Register	FF34 <sub>H</sub>	Sec	System Reset	DMP_M
<b>ESRCFG0</b>	ESR 0 Configuration Register	F100 <sub>H</sub>	Sec	System Reset	DMP_M
<b>ESRCFG1</b>	ESR 1 Configuration Register	F102 <sub>H</sub>	Sec	System Reset	DMP_M
<b>ESRCFG2</b>	ESR 2 Configuration Register	F104 <sub>H</sub>	Sec	System Reset	DMP_M
<b>ESRDAT</b>	ESR Data Register	F106 <sub>H</sub>	Sec	System Reset	DMP_M

**Table 6-23 Register Overview of SCU**

Short Name	Register Long Name	Offset Addr.	Protection <sup>1)</sup>	Reset	Power Domain
<b>SWDCON0</b>	SWD Control 0 Register	F080 <sub>H</sub>	Sec	Power-on Reset	DMP_M
<b>SWDCON1</b>	SWD Control 1 Register	F082 <sub>H</sub>	Sec	Power-on Reset	DMP_M
<b>PVCMCON0</b>	PVC_M Control for Step 0 Register	F1E4 <sub>H</sub>	Sec	Power-on Reset	DMP_M
<b>PVC1CON0</b>	PVC_1 Control for Step 0 Register	F014 <sub>H</sub>	Sec	Power-on Reset	DMP_M
<b>PVCMCONA1</b>	PVC_M Register for Step 1 Sequence A	F1E6 <sub>H</sub>	Sec	Power-on Reset	DMP_M
<b>PVCMCONA2</b>	PVC_M Register for Step 2 Sequence A	F1E8 <sub>H</sub>	Sec	Power-on Reset	DMP_M
<b>PVCMCONA3</b>	PVC_M Register for Step 3 Sequence A	F1EA <sub>H</sub>	Sec	Power-on Reset	DMP_M
<b>PVCMCONA4</b>	PVC_M Register for Step 4 Sequence A	F1EC <sub>H</sub>	Sec	Power-on Reset	DMP_M
<b>PVCMCONA5</b>	PVC_M Register for Step 5 Sequence A	F1EE <sub>H</sub>	Sec	Power-on Reset	DMP_M
<b>PVCMCONA6</b>	PVC_M Register for Step 6 Sequence A	F1F0 <sub>H</sub>	Sec	Power-on Reset	DMP_M
<b>PVC1CONA1</b>	PVC_1 Register for Step 1 Sequence A	F016 <sub>H</sub>	Sec	Power-on Reset	DMP_M
<b>PVC1CONA2</b>	PVC_1 Register for Step 2 Sequence A	F018 <sub>H</sub>	Sec	Power-on Reset	DMP_M
<b>PVC1CONA3</b>	PVC_1 Register for Step 3 Sequence A	F01A <sub>H</sub>	Sec	Power-on Reset	DMP_M
<b>PVC1CONA4</b>	PVC_1 Register for Step 4 Sequence A	F01C <sub>H</sub>	Sec	Power-on Reset	DMP_M
<b>PVC1CONA5</b>	PVC_1 Register for Step 5 Sequence A	F01E <sub>H</sub>	Sec	Power-on Reset	DMP_M
<b>PVC1CONA6</b>	PVC_1 Register for Step 6 Sequence A	F0F0 <sub>H</sub>	Sec	Power-on Reset	DMP_M
<b>PVCMCONB1</b>	PVC_M Register for Step 1 Sequence B	F1F4 <sub>H</sub>	Sec	Power-on Reset	DMP_M



**Table 6-23 Register Overview of SCU**

Short Name	Register Long Name	Offset Addr.	Protection <sup>1)</sup>	Reset	Power Domain
<b>PVCMCONB2</b>	PVC_M Register for Step 2 Sequence B	F1F6 <sub>H</sub>	Sec	Power-on Reset	DMP_M
<b>PVCMCONB3</b>	PVC_M Register for Step 3 Sequence B	F1F8 <sub>H</sub>	Sec	Power-on Reset	DMP_M
<b>PVCMCONB4</b>	PVC_M Register for Step 4 Sequence B	F1FA <sub>H</sub>	Sec	Power-on Reset	DMP_M
<b>PVCMCONB5</b>	PVC_M Register for Step 5 Sequence B	F1FC <sub>H</sub>	Sec	Power-on Reset	DMP_M
<b>PVCMCONB6</b>	PVC_M Register for Step 6 Sequence B	F1FE <sub>H</sub>	Sec	Power-on Reset	DMP_M
<b>PVC1CONB1</b>	PVC_1 Register for Step 1 Sequence B	F024 <sub>H</sub>	Sec	Power-on Reset	DMP_M
<b>PVC1CONB2</b>	PVC_1 Register for Step 2 Sequence B	F026 <sub>H</sub>	Sec	Power-on Reset	DMP_M
<b>PVC1CONB3</b>	PVC_1 Register for Step 3 Sequence B	F028 <sub>H</sub>	Sec	Power-on Reset	DMP_M
<b>PVC1CONB4</b>	PVC_1 Register for Step 4 Sequence B	F02A <sub>H</sub>	Sec	Power-on Reset	DMP_M
<b>PVC1CONB5</b>	PVC_1 Register for Step 5 Sequence B	F02C <sub>H</sub>	Sec	Power-on Reset	DMP_M
<b>PVC1CONB6</b>	PVC_1 Register for Step 6 Sequence B	F02E <sub>H</sub>	Sec	Power-on Reset	DMP_M
<b>EVRMCON0</b>	EVR_M Control 0 Register	F084 <sub>H</sub>	Sec	Power-on Reset	DMP_M
<b>EVR1CON0</b>	EVR_1 Control 0 Register	F088 <sub>H</sub>	Sec	Power-on Reset	DMP_M
<b>EVRMCON1</b>	EVR_M Control 1 Register	F086 <sub>H</sub>	Sec	Power-on Reset	DMP_M
<b>EVRMSET10V</b>	EVR_M Setting for 1.0V Register	F090 <sub>H</sub>	Sec	Power-on Reset	DMP_M
<b>EVRMSET15VLP</b>	EVR_M Setting for 1.5V LP Register	F094 <sub>H</sub>	Sec	Power-on Reset	DMP_M
<b>EVRMSET15VHP</b>	EVR_M Setting for 1.5V HP Register	F096 <sub>H</sub>	Sec	Power-on Reset	DMP_M

**Table 6-23 Register Overview of SCU**

Short Name	Register Long Name	Offset Addr.	Protection <sup>1)</sup>	Reset	Power Domain
<b>EVR1SET10V</b>	EVR_1 Setting for 1.0V Register	F098 <sub>H</sub>	Sec	Power-on Reset	DMP_M
<b>EVR1SET15V LP</b>	EVR_1 Setting for 1.5V LP Register	F09C <sub>H</sub>	Sec	Power-on Reset	DMP_M
<b>EVR1SET15V HP</b>	EVR_1 Setting for 1.5V HP Register	F09E <sub>H</sub>	Sec	Power-on Reset	DMP_M
<b>SEQCON</b>	Sequence Control Register	FEE4 <sub>H</sub>	Sec	Power-on Reset	DMP_M
<b>STEP0</b>	Step 0 Register	FEF2 <sub>H</sub>	Sec	Power-on Reset	DMP_M
<b>SEQASTEP1</b>	Sequence Step 1 for Set A Register	FEE6 <sub>H</sub>	Sec	Power-on Reset	DMP_M
<b>SEQASTEP2</b>	Sequence Step 2 for Set A Register	FEE8 <sub>H</sub>	Sec	Power-on Reset	DMP_M
<b>SEQASTEP3</b>	Sequence Step 3 for Set A Register	FEEA <sub>H</sub>	Sec	Power-on Reset	DMP_M
<b>SEQASTEP4</b>	Sequence Step 4 for Set A Register	FEEC <sub>H</sub>	Sec	Power-on Reset	DMP_M
<b>SEQASTEP5</b>	Sequence Step 5 for Set A Register	FEEE <sub>H</sub>	Sec	Power-on Reset	DMP_M
<b>SEQASTEP6</b>	Sequence Step 6 for Set A Register	FEF0 <sub>H</sub>	Sec	Power-on Reset	DMP_M
<b>SEQBSTEP1</b>	Sequence Step 1 for Set B Register	FEF4 <sub>H</sub>	Sec	Power-on Reset	DMP_M
<b>SEQBSTEP2</b>	Sequence Step 2 for Set B Register	FEF6 <sub>H</sub>	Sec	Power-on Reset	DMP_M
<b>SEQBSTEP3</b>	Sequence Step 3 for Set B Register	FEF8 <sub>H</sub>	Sec	Power-on Reset	DMP_M
<b>SEQBSTEP4</b>	Sequence Step 4 for Set B Register	FEFA <sub>H</sub>	Sec	Power-on Reset	DMP_M
<b>SEQBSTEP5</b>	Sequence Step 5 for Set B Register	FEFC <sub>H</sub>	Sec	Power-on Reset	DMP_M
<b>SEQBSTEP6</b>	Sequence Step 6 for Set B Register	FEFE <sub>H</sub>	Sec	Power-on Reset	DMP_M

**Table 6-23 Register Overview of SCU**

Short Name	Register Long Name	Offset Addr.	Protection <sup>1)</sup>	Reset	Power Domain
<b>GSCSWREQ</b>	GSC SW Request Register	FF14 <sub>H</sub>	Sec	Application Reset	DMP_M
<b>GSCEN</b>	GSC Enable Register	FF16 <sub>H</sub>	Sec	Application Reset	DMP_M
<b>GSCSTAT</b>	GSC Status Register	FF18 <sub>H</sub>	-	Application Reset	DMP_M
<b>EXISEL</b>	External Interrupt Input Select Register	F1A0 <sub>H</sub>	Sec	Application Reset	DMP_1
<b>EXICON0</b>	External Interrupt Input Trigger Control 0 Register	F030 <sub>H</sub>	Sec	Application Reset	DMP_1
<b>EXICON1</b>	External Interrupt Input Trigger Control 1 Register	F032 <sub>H</sub>	Sec	Application Reset	DMP_1
<b>EXICON2</b>	External Interrupt Input Trigger Control 2 Register	F034 <sub>H</sub>	Sec	Application Reset	DMP_1
<b>EXICON3</b>	External Interrupt Input Trigger Control 3 Register	F036 <sub>H</sub>	Sec	Application Reset	DMP_1
<b>EXOCON0</b>	External Output Trigger Control 0 Register	FE30 <sub>H</sub>	Sec	Application Reset	DMP_1
<b>EXOCON1</b>	External Output Trigger Control 1 Register	FE32 <sub>H</sub>	Sec	Application Reset	DMP_1
<b>EXOCON2</b>	External Output Trigger Control 2 Register	FE34 <sub>H</sub>	Sec	Application Reset	DMP_1
<b>EXOCON3</b>	External Output Trigger Control 3 Register	FE36 <sub>H</sub>	Sec	Application Reset	DMP_1
<b>INTSTAT</b>	Interrupt Status Register	FF00 <sub>H</sub>	-	Application Reset	DMP_1
<b>INTCLR</b>	Interrupt Clear Register	FE82 <sub>H</sub>	Sec	Application Reset	DMP_1
<b>INTSET</b>	Interrupt Set Register	FE80 <sub>H</sub>	Sec	Application Reset	DMP_1

**Table 6-23 Register Overview of SCU**

<b>Short Name</b>	<b>Register Long Name</b>	<b>Offset Addr.</b>	<b>Protection<sup>1)</sup></b>	<b>Reset</b>	<b>Power Domain</b>
<b>INTDIS</b>	Interrupt Disable Register	FE84 <sub>H</sub>	Sec	Application Reset	DMP_1
<b>INTNP0</b>	Interrupt Node Pointer 0 Register	FE86 <sub>H</sub>	Sec	Application Reset	DMP_1
<b>INTNP1</b>	Interrupt Node Pointer 1 Register	FE88 <sub>H</sub>	Sec	Application Reset	DMP_1
<b>DMPMIT</b>	DMP_M Interrupt and Trap Trigger Register	FE96 <sub>H</sub>	Sec	System Reset	DMP_M
<b>DMPMITCLR</b>	DMP_M Interrupt and Trap Clear Register	FE98 <sub>H</sub>	Sec	System Reset	DMP_M
<b>ISSR</b>	Interrupt Source Select Register	FF2E <sub>H</sub>	Sec	Application Reset	DMP_1
<b>TCCR</b>	Temperature Compensation Control Register	F1AC <sub>H</sub>	Sec	System Reset	DMP_1
<b>TCLR</b>	Temperature Compensation Level Register	F0AC <sub>H</sub>	Sec	System Reset	DMP_1
<b>WDTREL</b>	WDT Reload Register	F0C8 <sub>H</sub>	Sec	Application Reset	DMP_1
<b>WDTCS</b>	WDT Control and Status Register	F0C6 <sub>H</sub>	Sec	Application Reset	DMP_1
<b>WDTTIM</b>	WDT Timer Register	F0CA <sub>H</sub>	Sec	Application Reset	DMP_1
<b>TRAPSTAT</b>	Trap Status Register	FF02 <sub>H</sub>	-	System Reset	DMP_1
<b>TRAPCLR</b>	Trap Clear Register	FE8E <sub>H</sub>	Sec	System Reset	DMP_1
<b>TRAPSET</b>	Trap Set Register	FE8C <sub>H</sub>	Sec	System Reset	DMP_1
<b>TRAPDIS</b>	Trap Disable Register	FE90 <sub>H</sub>	Sec	System Reset	DMP_1
<b>TRAPNP</b>	Trap Node Pointer Register	FE92 <sub>H</sub>	Sec	System Reset	DMP_1

**Table 6-23 Register Overview of SCU**

Short Name	Register Long Name	Offset Addr.	Protection <sup>1)</sup>	Reset	Power Domain
<b>SLC</b>	Security Level Command Register	F0C0 <sub>H</sub>	-	Application Reset	DMP_1
<b>SLS</b>	Security Level Status Register	F0C2 <sub>H</sub>	-	Application Reset	DMP_1
<b>SYSCON1</b>	System Control 1 Register	FF4C <sub>H</sub>	Sec	Application Reset	DMP_1
<b>IDMANUF</b>	Manufacturer Identification Register	F07E <sub>H</sub>	-	System Reset	DMP_1
<b>IDCHIP</b>	Chip Identification Register	F07C <sub>H</sub>	-	System Reset	DMP_1
<b>IDMEM</b>	Program Memory Identification Register	F07A <sub>H</sub>	-	System Reset	DMP_1
<b>IDPROG</b>	Programming Voltage Identification Register	F078 <sub>H</sub>	-	System Reset	DMP_1

<sup>1)</sup> Register write protection mechanism: "Sec" = register security mechanism, "St" = only accessible in startup mode, "-" = always accessible (no protection), otherwise no access is possible.



Preliminary

**XC2000 Derivatives  
System Units (Vol. 1 of 2)**

---

**System Control Unit (SCU)**

## 7 Parallel Ports

The XC2000 provides a set of General Purpose Input/Output (GPIO) ports that can be controlled by the software and by the on-chip peripheral units. They are:

**Table 7-1 Ports of the XC2000**

Group	Width	I/O	Connected Modules
P0	8	I/O	EBC (A7...A0), CCU6, USIC, CAN
P1	8	I/O	EBC (A15...A8), CCU6
P2	13	I/O	EBC (READY, $\overline{\text{BHE}}$ , A23...A16, AD15...AD13, D15...D13), CAN, CCU2, GPT12E, USIC, JTAG
P3	8	I/O	EBC arbitration ( $\overline{\text{BREQ}}$ , $\overline{\text{HLDA}}$ , $\overline{\text{HOLD}}$ ), CAN, USIC
P4	8	I/O	EBC ( $\overline{\text{CS4}}$ ... $\overline{\text{CS0}}$ ), CCU2, CAN, GPT12E
P5	16	I	Analog Inputs, CCU6, JTAG, GPT12E, CAN
P6	4	I/O	ADC, GPT12E
P7	5	I/O	P7.0 J-LINK, CAN, GPT12E, SCU, JTAG, CCU6, ADC
P8	7	I/O	CCU6, JTAG
P9	8	I/O	CCU6, JTAG, CAN
P10	16	I/O	EBC(ALE, $\overline{\text{RD}}$ , $\overline{\text{WR}}$ , AD12...AD0, D12...D0), CCU6, USIC, JTAG, CAN
P11	6	I/O	CCU6
P15	8	I	Analog Inputs, GPT12E, CCU6

*Note: The availability of ports and port pins depends on the selected device type.  
This chapter describes the maximum set of ports.*

All registers are implemented up to the next full nibble. That means that P2 is implemented as 16 bit port, P6 is 4 bit, P7, P8, P11 are 8 bit ports. The padding bits at the end and inside the registers are standard read write bits, that can be used as storage elements, but without functionality behind them.

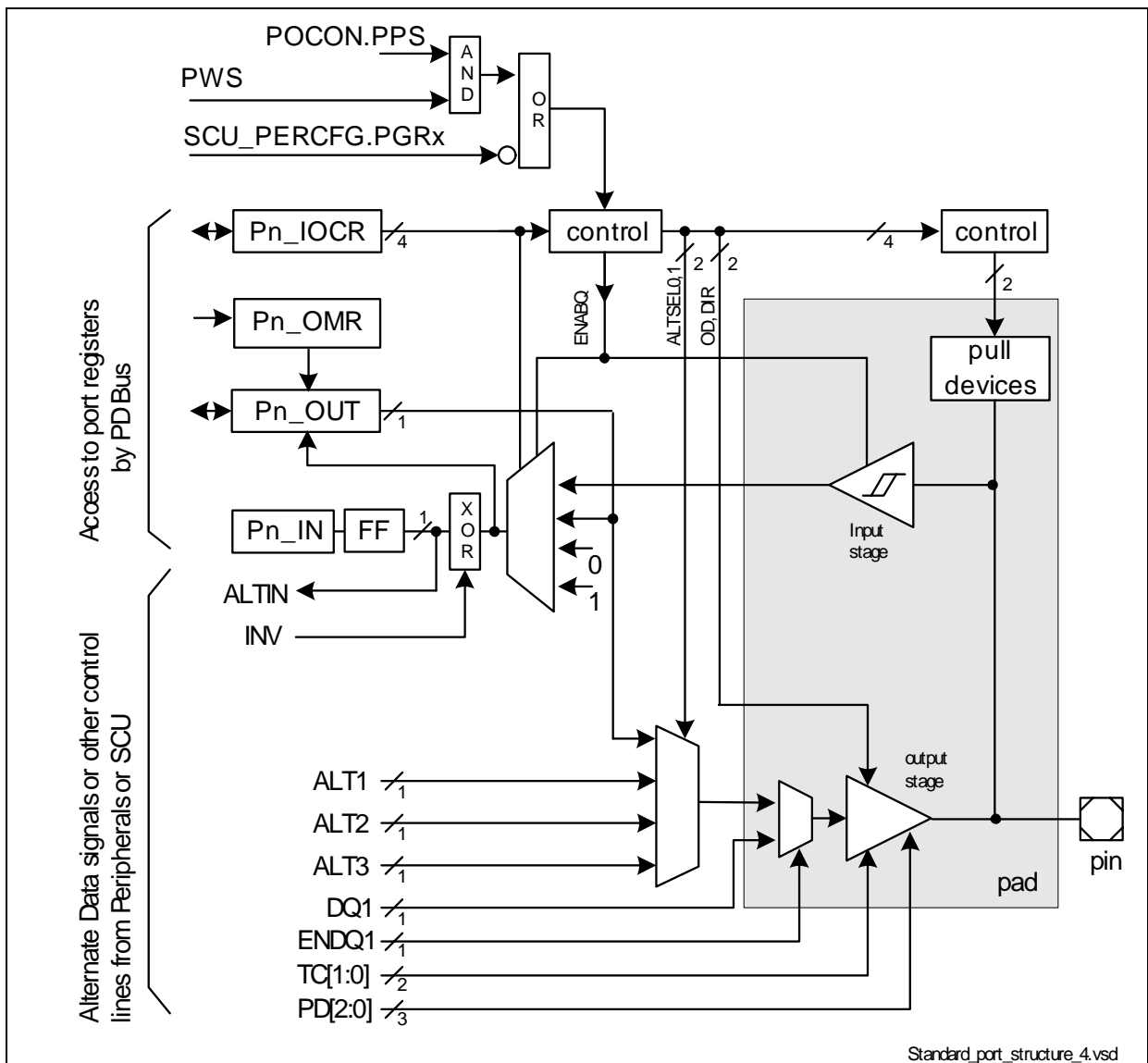
The IOCR registers related to these bits are also implemented, but without functionality behind them.

## 7.1 General Description

This chapter describes the architecture of the digital control circuit for a single port pin.

### 7.1.1 Basic Port Operation

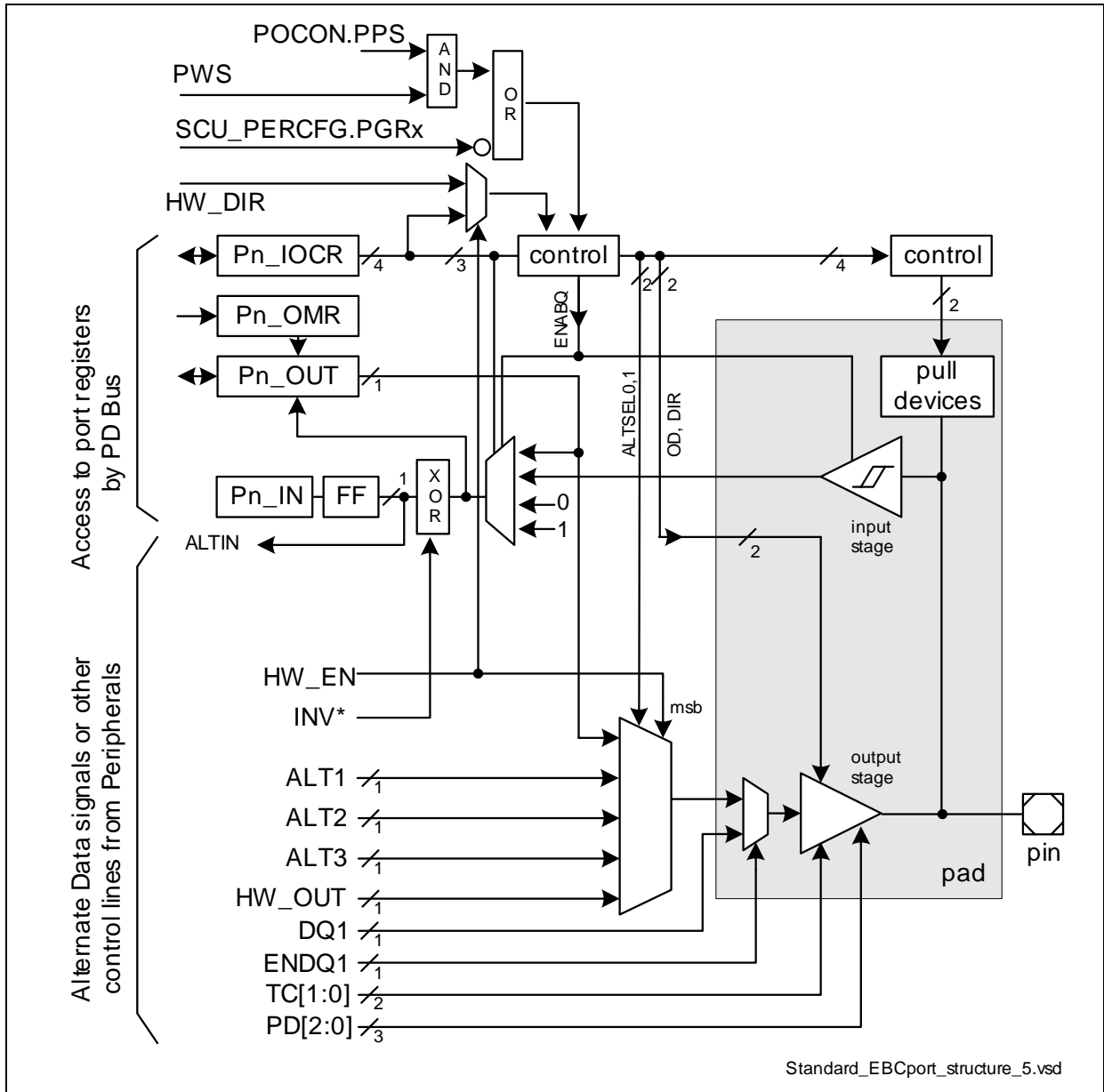
There are three types of digital control circuits: with/without hardware override for digital GPIOs, and for one for analog inputs. Each port pin contains one of them.



**Figure 7-1 Structure of the Ports without Hardware Override Functionality**

*Note: INV signal is derived from Pn\_IOCR.PC[3:2].*

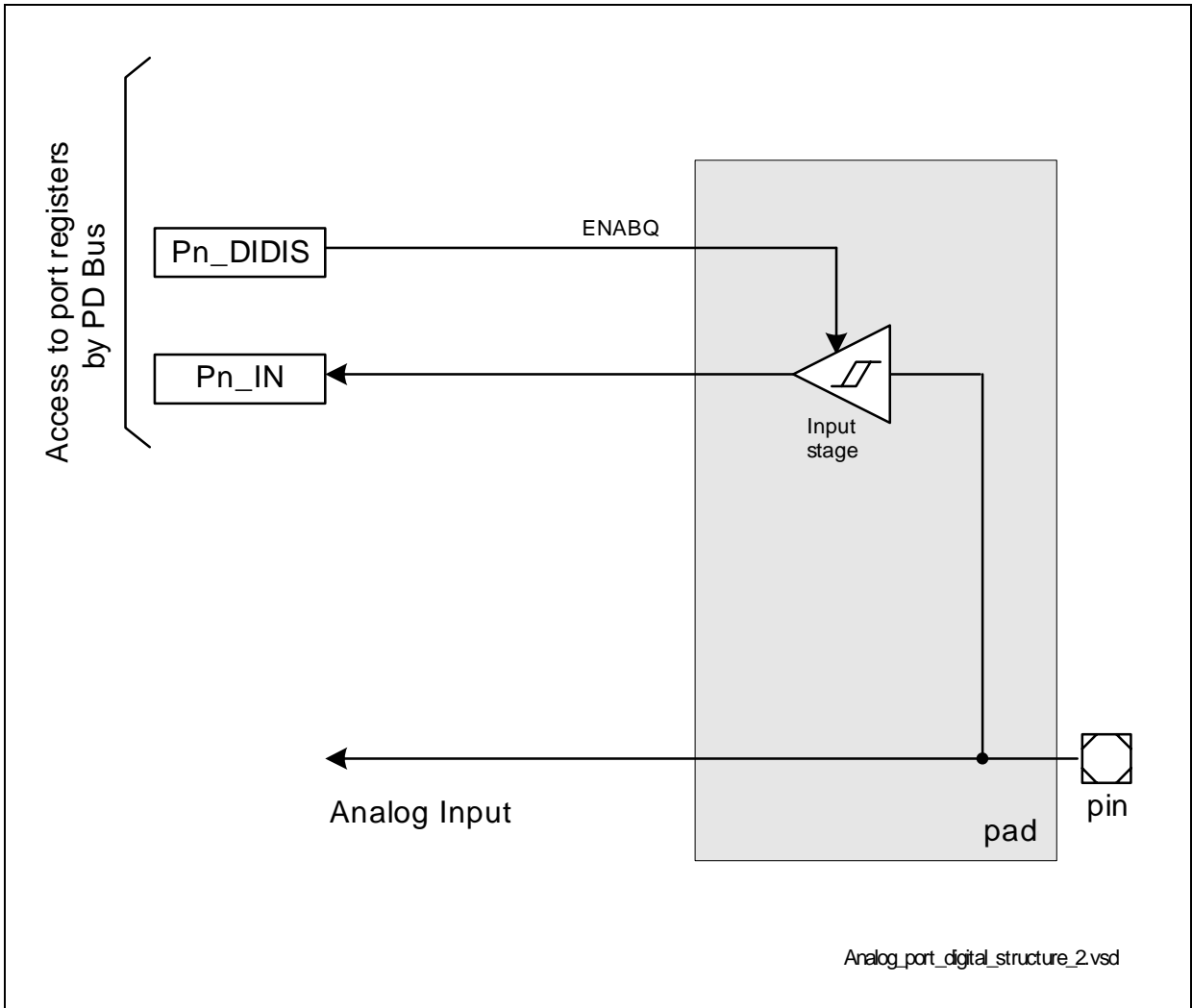




**Figure 7-2 Structure of the Ports with Hardware Override Functionality**

*Note: If HW\_EN is activated, INV\* signal is always zero.*

*Note: When HW\_EN is disabled, the respective ports go to Power Save Mode as all other ports. When HW\_EN is active, then the user should set the POCON.PPSx=0.*



**Figure 7-3 Structure of Port 5 and Port 15**

*Note: There is always a standard digital input connected in parallel to each analog input.*

## **7.1.2 Input Stage Control**

An input stage consists of a Schmitt trigger, which can be enabled or disabled via software, and an input multiplexer that by default selects the output of the input Schmitt trigger.

A disabled input driver drives high logical level. During and after reset, all input stages are enabled by default.

## **7.1.3 Output Driver Control**

An output stage consists of an output driver, output multiplexer, and register bit fields for their control.

### **7.1.3.1 Active Mode Behavior**

Each output driver can be configured in a push-pull or an open-drain mode, or it can be deactivated (three-stated). An output multiplexer in front of the output driver selects the signal source, choosing either the appropriate bit of the Pn\_OUT register, or one of maximum three lines coming from a peripheral unit, see [Figure 7-1](#). The selection is done via the Pn\_IOCRR register. Software can set or clear the bit Pn\_OUT.Px, which drives the port pin in case it is selected by the output multiplexer.

An output driver with hardware override can select an additional output signal coming from a peripheral. While the hardware override is activated, this signal has higher priority than all other output signals and can not be deselected by the port. In this case, the peripheral controls the direction of the pin.

### **7.1.3.2 Power Saving Mode Behavior**

In Power Saving Mode (core and IO supply voltages available), the behavior of a pin depends on the setting of the POCOnx.PPSx bit. Basically, groups of four pins within a port can be configured to react to Power Save Mode Request or to ignore it. In case a pin group is configured to react to a Power Save Mode Request, each pin within a group reacts according to its own configuration according to the [Table 7-5](#).

### **7.1.3.3 Reset Behavior**

During reset, all output stages of GPIO pins go to tri-state mode without any pull-up or pull-down device.

### **7.1.3.4 Power-fail Behavior**

When the core supply fails while the pad supply remains stable, the output stages go into tri-state mode.

## 7.2 Pin Description

XC2000 contains multifunctional pins, grouped into ports. Each pin generally provides connection to many modules. A pin can output one of up to three signals coming from the peripherals. It can distribute in parallel its input signal to many peripherals. Optionally a pin can be fully controlled by a peripheral, in case the peripheral is enabled (for example EBC). These possibilities are listed in the “Port x Input/Output Functions” tables further in this chapter. As an example see [Table 7-7](#).

### 7.2.1 Description Scheme for the Port IO Functions

A general building block is used to describe each GPIO pin in the “Port x Input/Output Functions” table. Each table consists of a number of such blocks, one block for each pin.

**Table 7-2 Port x Input/Output Functions Building Block**

Port Pin	I/O	Connected Signal(s)	From / to Module	Register/Bit Field	Value
Px.y	I	General-purpose input	Px_IN.Py	Px_IOCry.PC	0XXxB
		Signal(s)	module(s)		
	O	General-purpose output	Px_OUT.Py		1X00 <sub>B</sub>
		ALT1 Signal	module		1X01 <sub>B</sub>
		ALT2 Signal	module		1X10 <sub>B</sub>
		ALT3 Signal	module		1X11 <sub>B</sub>
	HW_DIR	HW_Out Signal	module; group En		HW_Out <sup>1)</sup>

<sup>1)</sup> This row is optional.

- **HW\_DIR:**  
The type Alternate Direction signal which is needed if HW\_En is active:
  - Out -always output  
DIRx - the pins in one port having the same DIRx (x=0, 1, 2,...), are controlled as a group by a dedicated HW\_DIR signal.
  - SDIR- Single DIR- the pin is controlled by its own, dedicated, single HW\_DIR signal.
- grouping indicates if the respective pin is controlled by hardware:
  - ENx - the pins in one port having the same ENx (x=0, 1, 2,...), are controlled as a group by a dedicated HW\_EN signal.
  - SEN - Single EN - the pin is controlled by its own, dedicated, single HW\_EN signal
- Digital port slices with HW\_DIR defined are the ports described in [Figure 7-2](#). Digital port slices without HW\_DIR are described in [Figure 7-1](#).

## 7.3 Port Description

The bit positions in the port registers always start right-aligned. For example, a port comprising only 8 pins only uses the bit positions [7:0] of the corresponding register. The remaining bit positions are filled with 0 (r).

The pad driver mode registers may be different for each port. As a result, they are described independently for each port in the corresponding chapter.

### 7.3.1 Port Register Description

#### 7.3.1.1 Pad Driver Control

The pad structure used in this device offers the possibility to select the output driver strength and the slew rate. These selections are independent from the output port functionality, such as open-drain, push/pull or input only.

In order to minimize EMI problems, the driver strength can be adapted to the application requirements by bit fields PDMx. The selection is done in groups of four pins.

The **Port Output Control registers** POCN provide the corresponding control bits. A 4-bit control field configures the driver strength and the edge shape. Word ports consume four control nibbles each, byte ports consume two control nibbles each, where each control nibble controls 4 pins of the respective port.

*Note: P2\_POCON register in the P11\_MR contains an exception regarding the additional strong output driver connected in parallel to the standard output driver of the P2.8 pin. See port 2 section.*

Preliminary

Parallel Ports

**Px\_POCON (x=0-4)**

**Port x Output Control Register XSFR (E8A0<sub>H</sub>+2\*x)**

**Reset Value: 0000<sub>H</sub>**

**Px\_POCON (x=6-11)**

**Port x Output Control Register XSFR (E8A0<sub>H</sub>+2\*x)**

**Reset Value: 0000<sub>H</sub>**

	15	14	13	12	11	10	9	8	7	6	5	4	3	2	1	0	
	<b>PPS 3</b>		<b>PDM3</b>			<b>PPS 2</b>		<b>PDM2</b>		<b>PPS 1</b>		<b>PDM1</b>		<b>PPS 0</b>		<b>PDM0</b>	
	rw		rwr			rw		rw		rw		rw		rw		rw	

Field	Bit	Type	Description
<b>PDM0, PDM1, PDM2, PDM3</b>	[2:0], [6:4], [10:8], [14:12]	rw	<b>Port Driver Mode x</b> Code Driver strength <sup>1)</sup> <div style="display: flex; justify-content: space-between; margin-top: 5px;"> <div style="width: 60%;">             000 Strong driver              001 Strong driver              010 Strong driver              011 Weak driver              100 Medium driver              101 Medium driver              110 Medium driver              111 Weak driver           </div> <div style="width: 35%; text-align: right;">             Edge Shape<sup>2)</sup>              Sharp edge mode              Medium edge mode              Soft edge mode           </div> </div>
<b>PPS0, PPS1, PPS2, PPS3</b>	3, 7, 11, 15	rw	<b>Pin Power Save</b> 0 Pin behaves like in the Active Mode. Power Save Management is ignored. 1 Behavior in the Power Save Mode described in the <a href="#">Table 7-5</a> .

<sup>1)</sup> Defines the current the respective driver can deliver to the external circuitry.

<sup>2)</sup> Defines the switching characteristics to the respective new output level. This also influences the peak currents through the driver when producing an edge, i.e. when changing the output level.

### Mapping of the POCN Registers to Pins and Ports

The table below lists the defined POCN registers and the allocation of control bit fields and port pins.

**Table 7-3 Port Output Control Register Allocation**

Control Register	Controlled Pins (by POCNx.[y:z]) <sup>1)</sup>				Port Length
	[15:12]	[11:8]	[7:4]	[3:0]	
P0_POCON	---	---	P0.[7:4]	P0.[3:0]	8
P1_POCON	---	---	P1.[7:4]	P1.[3:0]	8
P2_POCON	CLOCKOUT driver at P2.8	P2.[11:8] + P2.12	P2.[7:4]	P2.[3:0]	13
P3_POCON	---	---	P3.[7:4]	P3.[3:0]	8
P4_POCON	---	---	P4.[7:4]	P4.[3:0]	8
P6_POCON	---	---	---	P6.[3:0]	4
P7_POCON	---	---	P7.4	P7.[3:0]	5
P8_POCON	---	---	P8.[6:4]	P8.[3:0]	7
P9_POCON	---	---	P9.[7:4]	P9.[3:0]	8
P10_POCON	P10.[15:12]	P10.[11:8]	P10.[7:4]	P10.[3:0]	16
P11_POCON	---	---	P11.[5:4]	P11.[3:0]	6

<sup>1)</sup> x denotes the port number, while [y:z] represents the bit field range.

*Note: When assigning functional signals to port pins, please consider the fact that the driver strength is selected for pin groups. Assign functions with similar requirements to pins within the same POCN control group.*

### 7.3.1.2 Port Output Register

The port output register defines the values of the output pins if the pin is used as GPIO output.

**Pn\_OUT (n=0-4)**

**Port n Output Register**

**SFR (FFA2<sub>H</sub>+2\*n)**

**Reset Value: 0000<sub>H</sub>**

**Pn\_OUT (n=6-11)**

**Port n Output Register**

**SFR (FFA2<sub>H</sub>+2\*n)**

**Reset Value: 0000<sub>H</sub>**

15	14	13	12	11	10	9	8	7	6	5	4	3	2	1	0
<b>P15</b>	<b>P14</b>	<b>P13</b>	<b>P12</b>	<b>P11</b>	<b>P10</b>	<b>P9</b>	<b>P8</b>	<b>P7</b>	<b>P6</b>	<b>P5</b>	<b>P4</b>	<b>P3</b>	<b>P2</b>	<b>P1</b>	<b>P0</b>
rwh	rwh	rwh	rwh	rwh	rwh	rwh	rwh	rwh	rwh	rwh	rwh	rwh	rwh	rwh	rwh

Field	Bits	Type	Description
<b>Px</b> (x = 0-15)	x	rwh	<b>Port Output Bit x</b> This bit defines the level at the output pin of port Pn, pin x if the output is selected as GPIO output. 0     The output level of Pn.x is 0. 1     The output level of Pn.x is 1.



### 7.3.1.3 Port Output Modification Register

The port output modification register contains the bits to individually set, clear, or toggle the value of the port n output register.

#### P2\_OMRH

**Port 2 Output Modification Register HighXSFR (E9CA<sub>H</sub>)**      **Reset Value: 0000<sub>H</sub>**

#### P10\_OMRH

**Port 10 Output Modification Register HighXSFR (E9EA<sub>H</sub>)**      **Reset Value: 0000<sub>H</sub>**

15	14	13	12	11	10	9	8	7	6	5	4	3	2	1	0
<b>PC</b>	<b>PC</b>	<b>PC</b>	<b>PC</b>	<b>PC</b>	<b>PC</b>	<b>PC</b>	<b>PC</b>	<b>PS</b>	<b>PS</b>	<b>PS</b>	<b>PS</b>	<b>PS</b>	<b>PS</b>	<b>PS</b>	<b>PS</b>
<b>15</b>	<b>14</b>	<b>13</b>	<b>12</b>	<b>11</b>	<b>10</b>	<b>9</b>	<b>8</b>	<b>15</b>	<b>14</b>	<b>13</b>	<b>12</b>	<b>11</b>	<b>10</b>	<b>9</b>	<b>8</b>
W	W	W	W	W	W	W	W	W	W	W	W	W	W	W	W

Field	Bits	Type	Description
<b>PS<sub>x</sub></b> (x = 8-15)	x-8	w	<b>Port Set Bit x</b> Setting this bit sets or toggles the corresponding bit in the port output register Pn_OUT (see <a href="#">Table 7-4</a> ). On a read access, this bit returns 0.
<b>PC<sub>x</sub></b> (x = 8-15)	x	w	<b>Port Clear Bit x</b> Setting this bit clears or toggles the corresponding bit in the port output register Pn_OUT. (see <a href="#">Table 7-4</a> ). On a read access, this bit returns 0.

#### Pn\_OMRL (n=0-4)

**Port n Output Modification Register LowXSFR (E9C0<sub>H</sub>+4\*n)**      **Reset Value: 0000<sub>H</sub>**

#### Pn\_OMRL (n=6-11)

**Port n Output Modification Register LowXSFR (E9C0<sub>H</sub>+4\*n)**      **Reset Value: 0000<sub>H</sub>**

15	14	13	12	11	10	9	8	7	6	5	4	3	2	1	0
<b>PC</b>	<b>PC</b>	<b>PC</b>	<b>PC</b>	<b>PC</b>	<b>PC</b>	<b>PC</b>	<b>PC</b>	<b>PS</b>	<b>PS</b>	<b>PS</b>	<b>PS</b>	<b>PS</b>	<b>PS</b>	<b>PS</b>	<b>PS</b>
<b>7</b>	<b>6</b>	<b>5</b>	<b>4</b>	<b>3</b>	<b>2</b>	<b>1</b>	<b>0</b>	<b>7</b>	<b>6</b>	<b>5</b>	<b>4</b>	<b>3</b>	<b>2</b>	<b>1</b>	<b>0</b>
W	W	W	W	W	W	W	W	W	W	W	W	W	W	W	W

Field	Bits	Type	Description
<b>PSx</b> (x = 0-7)	x	w	<b>Port Set Bit x</b> Setting this bit sets or toggles the corresponding bit in the port output register Pn_OUT (see <a href="#">Table 7-4</a> ). On a read access, this bit returns 0.
<b>PCx</b> (x = 0-7)	x + 8	w	<b>Port Clear Bit x</b> Setting this bit clears or toggles the corresponding bit in the port output register Pn_OUT. (see <a href="#">Table 7-4</a> ). On a read access, this bit returns 0.

### Function of the PCx and PSx bit fields

**Table 7-4 Function of the Bits PCx and PSx**

PCx	PSx	Function
0 or no write access	0 or no write access	Bit Pn_OUT.Px is not changed.
0 or no write access	1	Bit Pn_OUT.Px is set.
1	0 or no write access	Bit Pn_OUT.Px is cleared.
1	1	Bit Pn_OUT.Px is toggled.

*Note: If a bit position is not written (one out of two bytes not targeted by a byte write), the corresponding value is considered as 0. Toggling a bit requires one 16-bit write.*

### 7.3.1.4 Port Input Register

The port input register contains the values currently read at the input pins, also if a port line is assigned as output.

**Pn\_IN (n=0-11)**

**Port n Input Register**

**SFR (FF80<sub>H</sub>+2\*n)**

**Reset Value: 0000<sub>H</sub><sup>1)</sup>**

**P15\_IN**

**Port 15 Input Register**

**SFR (FF9E<sub>H</sub>)**

**Reset Value: 0000<sub>H</sub><sup>1)</sup>**

15	14	13	12	11	10	9	8	7	6	5	4	3	2	1	0
<b>P15</b>	<b>P14</b>	<b>P13</b>	<b>P12</b>	<b>P11</b>	<b>P10</b>	<b>P9</b>	<b>P8</b>	<b>P7</b>	<b>P6</b>	<b>P5</b>	<b>P4</b>	<b>P3</b>	<b>P2</b>	<b>P1</b>	<b>P0</b>
rh	rh	rh	rh	rh	rh	rh	rh	rh	rh	rh	rh	rh	rh	rh	rh

<sup>1)</sup> Px bits for non implemented I/O lines are always read as 0.

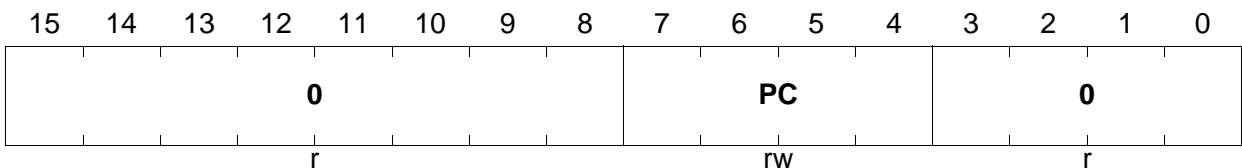
Field	Bits	Type	Description
<b>Px</b> <b>(x = 0-15)</b>	x	rh	<b>Port Input Bit x</b> This bit indicates the level at the input pin of port Pn, pin x. 0     The input level of Pn.x is 0. 1     The input level of Pn.x is 1.

### 7.3.1.5 Port Input/Output Control Registers

The port input/output control registers contain the bit fields to select the digital output and input driver characteristics, such as pull-up/down devices, port direction (input/output), open-drain and alternate output selections. The coding of the options is shown in [Table 7-5](#).

Depending on the port functionality not all of the input/output control registers may be implemented. The structure with one control bit field for each port pin located in different register offers the possibility to configure port pin functionality of a single pin without accessing some other PCx in the same register by word-oriented writes.

<b>P0_IOCRx (x=00-07)</b>	
<b>Port 0 Input/Output Control Register x XSFR (E800<sub>H</sub>+2*x)</b>	<b>Reset Value: 0000<sub>H</sub></b>
<b>P1_IOCRx (x=00-07)</b>	
<b>Port 1 Input/Output Control Register x XSFR (E820<sub>H</sub>+2*x)</b>	<b>Reset Value: 0000<sub>H</sub></b>
<b>P2_IOCRx (x=00-12)</b>	
<b>Port 2 Input/Output Control Register x XSFR (E840<sub>H</sub>+2*x)</b>	<b>Reset Value: 0000<sub>H</sub></b>
<b>P3_IOCRx (x=00-07)</b>	
<b>Port 3 Input/Output Control Register x XSFR (E860<sub>H</sub>+2*x)</b>	<b>Reset Value: 0000<sub>H</sub></b>
<b>P4_IOCRx (x=00-07)</b>	
<b>Port 4 Input/Output Control Register x XSFR (E880<sub>H</sub>+2*x)</b>	<b>Reset Value: 0000<sub>H</sub></b>
<b>P6_IOCRx (x=00-03)</b>	
<b>Port 6 Input/Output Control Register x XSFR (E8C0<sub>H</sub>+2*x)</b>	<b>Reset Value: 0000<sub>H</sub></b>
<b>P7_IOCRx (x=00-04)</b>	
<b>Port 7 Input/Output Control Register x XSFR (E8E0<sub>H</sub>+2*x)</b>	<b>Reset Value: 0000<sub>H</sub></b>
<b>P8_IOCRx (x=00-06)</b>	
<b>Port 8 Input/Output Control Register x XSFR (E900<sub>H</sub>+2*x)</b>	<b>Reset Value: 0000<sub>H</sub></b>
<b>P9_IOCRx (x=00-07)</b>	
<b>Port 9 Input/Output Control Register x XSFR (E920<sub>H</sub>+2*x)</b>	<b>Reset Value: 0000<sub>H</sub></b>
<b>P10_IOCRx (x=00-15)</b>	
<b>Port 10 Input/Output Control Register x XSFR (E940<sub>H</sub>+2*x)</b>	<b>Reset Value: 0000<sub>H</sub></b>
<b>P11_IOCRx (x=00-05)</b>	
<b>Port 11 Input/Output Control Register x XSFR (E960<sub>H</sub>+2*x)</b>	<b>Reset Value: 0000<sub>H</sub></b>



Field	Bits	Type	Description
<b>PC</b>	[7:4]	rw	<b>Port Input/Output Control Bit</b> see <a href="#">Table 7-5</a>
<b>0</b>	[3:0], [15:8]	r	reserved

### Coding of the PC bit field

The coding of the GPIO port behavior is done by the bit fields in the port control registers Pn\_IOCRx. There's a control bit field PC for each port pin. The bit fields PC are located in separate control registers in order to allow modifying a port pin (without influencing the others) with simple move operations.

*Note: When the pin direction is switched to output and the mode is test mode, the output characteristic must be push-pull only.*

**Table 7-5 PC Coding**

PC[3:0]	I/O	Selected Pull-up/down / Selected Output Function	Behavior in Power Saving Mode <sup>1)</sup>
0000 <sub>B</sub>	Direct Input	No pull device connected	Input value = Pn_OUT; no pull
0001 <sub>B</sub>		Pull-down device connected	Input value = 0; pull-down
0010 <sub>B</sub>		Pull-up device connected	Input value = 1; pull-up
0011 <sub>B</sub>		No pull device connected. In this mode Pn_OUT samples the pad input value continuously.	Input value = Pn_OUT; Pn_OUT always samples input value while not in power save mode = freeze of input value; no pull
0100 <sub>B</sub>	Inverted Input	No pull device connected	Input value = $\overline{\text{Pn\_OUT}}$ ; no pull
0101 <sub>B</sub>		Pull-down device connected	Input value = 1; pull-down
0110 <sub>B</sub>		Pull-up device connected	Input value = 0; pull-up
0111 <sub>B</sub>		No pull device connected. In this mode Pn_OUT samples the pad input value continuously.	Input value = $\overline{\text{Pn\_OUT}}$ ; Pn_OUT always samples input value while not in power saving mode = freeze of input value; no pull <sup>2)</sup>

**Table 7-5 PC Coding**

PC[3:0]	I/O	Selected Pull-up/down / Selected Output Function	Behavior in Power Saving Mode <sup>1)</sup>
1000 <sub>B</sub>	Output (Direct input) Push- pull	General purpose Output	Output driver off. Input Schmitt trigger off. Pn_OUT delivered to the internal logic; no pull
1001 <sub>B</sub>		Output function ALT1	
1010 <sub>B</sub>		Output function ALT2	
1011 <sub>B</sub>		Output function ALT3	
1100 <sub>B</sub>	Output (Direct input) Open- drain	General purpose Output	
1101 <sub>B</sub>		Output function ALT1	
1110 <sub>B</sub>		Output function ALT2	
1111 <sub>B</sub>		Output function ALT3	

- <sup>1)</sup> In power saving mode, the input Schmitt trigger is always switched off. A defined input value is driven to the internal circuitry instead of the level detected at the input pin.
- <sup>2)</sup> If the IOCR setting is “inverted input”, then an inverted signal Pn\_OUT is driven internally. The Pn\_OUT register itself always contains the real, non-inverted input value of the pin. See [Figure 7-1](#) and [Figure 7-2](#).

### 7.3.1.6 Port Digital Input Disable Register

Ports 5 and 15 have, additionally to the analog input functionality, digital input functionality too. In order to save switching of the internal Schmitt triggers of the digital inputs, they can be disabled by means of Px\_DIDIS Register. P5\_DIDIS is a 16-bit register, and P15\_DIDIS is an 8-bit register.

#### P5\_DIDIS

**Port 5 Digital Input Disable RegisterSFR (FE8A<sub>H</sub>)**

**Reset Value: 0000<sub>H</sub>**

#### P15\_DIDIS

**Port 15 Digital Input Disable RegisterSFR (FE9E<sub>H</sub>)**

**Reset Value: 0000<sub>H</sub>**

15	14	13	12	11	10	9	8	7	6	5	4	3	2	1	0
<b>P15</b>	<b>P14</b>	<b>P13</b>	<b>P12</b>	<b>P11</b>	<b>P10</b>	<b>P9</b>	<b>P8</b>	<b>P7</b>	<b>P6</b>	<b>P5</b>	<b>P4</b>	<b>P3</b>	<b>P2</b>	<b>P1</b>	<b>P0</b>
rw	rw	rw	rw	rw	rw	rw	rw	rw	rw	rw	rw	rw	rw	rw	rw

Field	Bit	Type	Description
<b>Py</b> (y = 0-15)	y	rw	Port 5 Bit y Digital Input Control 0 Digital input stage (schmitt trigger) is enabled. 1 Digital input stage (schmitt trigger) is disabled, necessary if pin is used as analog input.

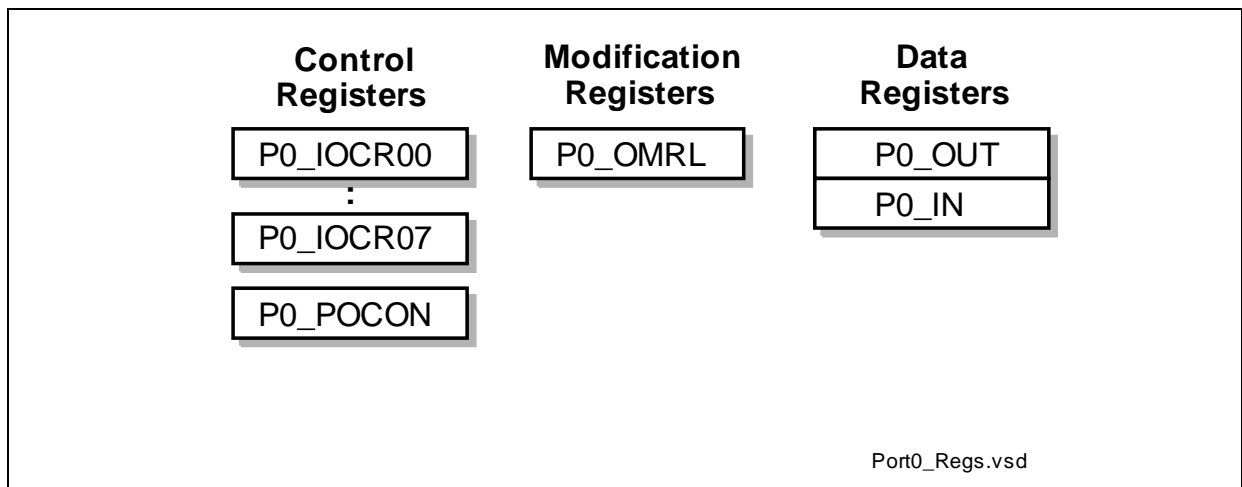
### 7.3.2 Port 0

Port 0 is an 8-bit GPIO port.

#### 7.3.2.1 Overview

The port registers of Port 0 are shown in [Figure 7-4](#).

For this port, all pins can be read as GPIO, from the Port Input Register.



**Figure 7-4 Port 0 Register Overview**

**Table 7-6 Port 0 Registers**

Register Short Name	Register Long Name	Address Offset	Reset Value
P0_OUT	Port 0 Output Register	FFA2 <sub>H</sub>	0000 <sub>H</sub>
P0_IN	Port 0 Input Register	FF80 <sub>H</sub>	0000 <sub>H</sub>
P0_OMRL	Port 0 Output Modification Register Low	E9C0 <sub>H</sub>	0000 <sub>H</sub>
P0_POCON	Port 0 Output Control Register	E8A0 <sub>H</sub>	0000 <sub>H</sub>
P0_IOCRR00	Port 0 Input/Output Control Register 0	E800 <sub>H</sub>	0000 <sub>H</sub>
P0_IOCRR01	Port 0 Input/Output Control Register 1	E802 <sub>H</sub>	0000 <sub>H</sub>
P0_IOCRR02	Port 0 Input/Output Control Register 2	E804 <sub>H</sub>	0000 <sub>H</sub>
P0_IOCRR03	Port 0 Input/Output Control Register 3	E806 <sub>H</sub>	0000 <sub>H</sub>
P0_IOCRR04	Port 0 Input/Output Control Register 4	E808 <sub>H</sub>	0000 <sub>H</sub>
P0_IOCRR05	Port 0 Input/Output Control Register 5	E80A <sub>H</sub>	0000 <sub>H</sub>
P0_IOCRR06	Port 0 Input/Output Control Register 6	E80C <sub>H</sub>	0000 <sub>H</sub>
P0_IOCRR07	Port 0 Input/Output Control Register 7	E80E <sub>H</sub>	0000 <sub>H</sub>



### 7.3.2.2 Port 0 Functions

The following table describes the mapping between the pins of Port 0 and the related I/O signals.

**Table 7-7 Port 0 Input/Output Functions**

Port Pin	I/O	Connected Signal(s)	From / to Module	Register/Bit Field	Value
<b>P0.0</b>	I	General-purpose input	P0_IN.P0	P0_IOCRR0.PC	0XXX <sub>B</sub>
		DX0A	U1C0		
		CC60INA	CCU61		
	O	General-purpose output	P0_OUT.P0		1X00 <sub>B</sub>
		DOUT	U1C0		1X01 <sub>B</sub>
		reserved			1X10 <sub>B</sub>
		CC60	CCU61		1X11 <sub>B</sub>
DIR1	A0	EBC; SEN	HW_Out		
<b>P0.1</b>	I	General-purpose input	P0_IN.P1	P0_IOCRR1.PC	0XXX <sub>B</sub>
		DX0B	U1C0		
		CC61INA	CCU61		
		DX1A	U1C0		
	O	General-purpose output	P0_OUT.P1		1X00 <sub>B</sub>
		DOUT	U1C0		1X01 <sub>B</sub>
		TXDC0	CAN0		1X10 <sub>B</sub>
		CC61	CCU61		1X11 <sub>B</sub>
	DIR1	A1	EBC; SEN		HW_Out
<b>P0.2</b>	I	General-purpose input	P0_IN.P2	P0_IOCRR2.PC	0XXX <sub>B</sub>
		DX1B	U1C0		
		CC62INA	CCU61		
	O	General-purpose output	P0_OUT.P2		1X00 <sub>B</sub>
		SCLKOUT	U1C0		1X01 <sub>B</sub>
		TXDC0	CAN0		1X10 <sub>B</sub>
		CC62	CCU61		1X11 <sub>B</sub>
	DIR1	A2	EBC; SEN		HW_Out

Preliminary

Parallel Ports

**Table 7-7 Port 0 Input/Output Functions (cont'd)**

Port Pin	I/O	Connected Signal(s)	From / to Module	Register/Bit Field	Value
<b>P0.3</b>	I	General-purpose input	P0_IN.P3	P0_IOCRR03.PC	0XXX <sub>B</sub>
		DX2A	U1C0		
		RXDC0B	CAN0		
	O	General-purpose output	P0_OUT.P3		1X00 <sub>B</sub>
		SELO0	U1C0		1X01 <sub>B</sub>
		SELO1	U1C1		1X10 <sub>B</sub>
		COU60	CCU61		1X11 <sub>B</sub>
DIR1	A3	EBC; SEN	HW_Out		
<b>P0.4</b>	I	General-purpose input	P0_IN.P4	P0_IOCRR04.PC	0XXX <sub>B</sub>
		DX2A	U1C1		
		RXDC1B	CAN1		
	O	General-purpose output	P0_OUT.P4		1X00 <sub>B</sub>
		SELO0	U1C1		1X01 <sub>B</sub>
		SELO1	U1C0		1X10 <sub>B</sub>
		COU61	CCU61		1X11 <sub>B</sub>
DIR1	A4	EBC; SEN	HW_Out		
<b>P0.5</b>	I	General-purpose input	P0_IN.P5	P0_IOCRR05.PC	0XXX <sub>B</sub>
		DX1A	U1C1		
		DX1C	U1C0		
	O	General-purpose output	P0_OUT.P5		1X00 <sub>B</sub>
		SCLKOUT	U1C1		1X01 <sub>B</sub>
		SELO2	U1C0		1X10 <sub>B</sub>
		COU62	CCU61		1X11 <sub>B</sub>
DIR1	A5	EBC; SEN	HW_Out		

**Table 7-7 Port 0 Input/Output Functions (cont'd)**

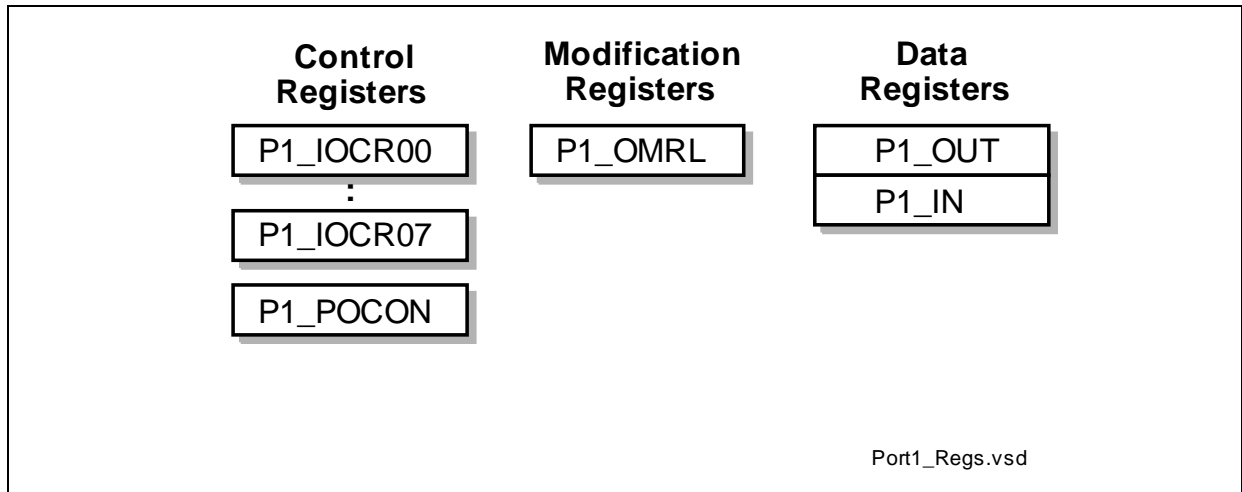
Port Pin	I/O	Connected Signal(s)	From / to Module	Register/Bit Field	Value
<b>P0.6</b>	I	General-purpose input	P0_IN.P6	P0_IOCR06.PC	0XXX <sub>B</sub>
		DX0A	U1C1		
		CTRAPA	CCU61		
		DX1B	U1C1		
	O	General-purpose output	P0_OUT.P6		1X00 <sub>B</sub>
		DOUT	U1C1		1X01 <sub>B</sub>
		TXDC1	CAN1		1X10 <sub>B</sub>
		COU63	CCU61		1X11 <sub>B</sub>
	DIR1	A6	EBC; SEN		HW_Out
<b>P0.7</b>	I	General-purpose input	P0_IN.P7	P0_IOCR07.PC	0XXX <sub>B</sub>
		DX0B	U1C1		
		CTRAPB	CCU61		
	O	General-purpose output	P0_OUT.P7		1X00 <sub>B</sub>
		DOUT	U1C1		1X01 <sub>B</sub>
		SELO3	U1C0		1X10 <sub>B</sub>
		reserved			1X11 <sub>B</sub>
	DIR1	A7	EBC; SEN		HW_Out

### 7.3.3 Port 1

Port 1 is an 8-bit GPIO port.

#### 7.3.3.1 Overview

The port registers of Port 1 are shown in [Figure 7-5](#).



**Figure 7-5 Port 1 Register Overview**

For this port, all pins can be read as GPIO, from the Port Input Register.

**Table 7-8 Port 1 Registers**

Register Short Name	Register Long Name	Address Offset	Reset Value
P1_OUT	Port 1 Output Register	FFA4 <sub>H</sub>	0000 <sub>H</sub>
P1_IN	Port 1 Input Register	FF82 <sub>H</sub>	0000 <sub>H</sub>
P1_OMRL	Port 1 Output Modification Register Low	E9C4 <sub>H</sub>	0000 <sub>H</sub>
P1_POCON	Port 1 Output Control Register	E8A2 <sub>H</sub>	0000 <sub>H</sub>
P1_IOCRR00	Port 1 Input/Output Control Register 0	E820 <sub>H</sub>	0000 <sub>H</sub>
P1_IOCRR01	Port 1 Input/Output Control Register 1	E822 <sub>H</sub>	0000 <sub>H</sub>
P1_IOCRR02	Port 1 Input/Output Control Register 2	E824 <sub>H</sub>	0000 <sub>H</sub>
P1_IOCRR03	Port 1 Input/Output Control Register 3	E826 <sub>H</sub>	0000 <sub>H</sub>
P1_IOCRR04	Port 1 Input/Output Control Register 4	E828 <sub>H</sub>	0000 <sub>H</sub>
P1_IOCRR05	Port 1 Input/Output Control Register 5	E82A <sub>H</sub>	0000 <sub>H</sub>
P1_IOCRR06	Port 1 Input/Output Control Register 6	E82C <sub>H</sub>	0000 <sub>H</sub>
P1_IOCRR07	Port 1 Input/Output Control Register 7	E82E <sub>H</sub>	0000 <sub>H</sub>

### 7.3.3.2 Port 1 Functions

The following table describes the mapping between the pins of Port 1 and the related I/O signals.

**Table 7-9 Port 1 Input/Output Functions**

Port Pin	I/O	Connected Signal(s)	From / to Module	Register/Bit Field	Value
<b>P1.0</b>	I	General-purpose input	P1_IN.P0	P1_IOCRR0.PC	0XXX <sub>B</sub>
		ERU_0B0	SCU		
		CTRAPPB	CCU62		
	O	General-purpose output	P1_OUT.P0		1X00 <sub>B</sub>
		MCLKOUT	U1C0		1X01 <sub>B</sub>
		SELO4	U1C0		1X10 <sub>B</sub>
		reserved			1X11 <sub>B</sub>
	DIR1	A8	EBC; SEN		
<b>P1.1</b>	I	General-purpose input	P1_IN.P1	P1_IOCRR1.PC	0XXX <sub>B</sub>
		ERU_1B0	SCU		
		DX0C	U2C1		
	O	General-purpose output	P1_OUT.P1		1X00 <sub>B</sub>
		COU62	CCU62		1X01 <sub>B</sub>
		SELO5	U1C0		1X10 <sub>B</sub>
		DOUT	U2C1		1X11 <sub>B</sub>
	DIR1	A9	EBC; SEN		

Preliminary

Parallel Ports

**Table 7-9 Port 1 Input/Output Functions (cont'd)**

Port Pin	I/O	Connected Signal(s)	From / to Module	Register/Bit Field	Value
<b>P1.2</b>	I	General-purpose input	P1_IN.P2	P1_IOCRO2.PC	0XXX <sub>B</sub>
		T12HRB	CCU61		
		ERU_2A0	SCU		
		CC62INA	CCU62		
		DX0D	U2C1		
		DX1C	U2C1		
	O	General-purpose output	P1_OUT.P2		1X00 <sub>B</sub>
		CC62	CCU62		1X01 <sub>B</sub>
		SELO6	U1C0		1X10 <sub>B</sub>
		SCLKOUT	U2C1		1X11 <sub>B</sub>
DIR1	A10	EBC; SEN	HW_Out		
<b>P1.3</b>	I	General-purpose input	P1_IN.P3	P1_IOCRO3.PC	0XXX <sub>B</sub>
		T12HRB	CCU62		
		ERU_3A0	SCU		
	O	General-purpose output	P1_OUT.P3		1X00 <sub>B</sub>
		COU63	CCU62		1X01 <sub>B</sub>
		SELO7	U1C0		1X10 <sub>B</sub>
		SELO4	U2C0		1X11 <sub>B</sub>
	DIR1	A11	EBC; SEN		HW_Out
<b>P1.4</b>	I	General-purpose input	P1_IN.P4	P1_IOCRO4.PC	0XXX <sub>B</sub>
		DX2B	U2C0		
	O	General-purpose output	P1_OUT.P4		1X00 <sub>B</sub>
		COU61	CCU62		1X01 <sub>B</sub>
		SELO4	U1C1		1X10 <sub>B</sub>
		SELO5	U2C0		1X11 <sub>B</sub>
	DIR1	A12	EBC; SEN		HW_Out

Preliminary

Parallel Ports

**Table 7-9 Port 1 Input/Output Functions (cont'd)**

Port Pin	I/O	Connected Signal(s)	From / to Module	Register/Bit Field	Value
<b>P1.5</b>	I	General-purpose input	P1_IN.P5	P1_IOCRR05.PC	0XXX <sub>B</sub>
		DX0C	U2C0		
	O	General-purpose output	P1_OUT.P5		1X00 <sub>B</sub>
		COU60	CCU62		1X01 <sub>B</sub>
		SELO3	U1C1		1X10 <sub>B</sub>
		BRKOUT	OCDS		1X11 <sub>B</sub>
	DIR1	A13	EBC; SEN		HW_Out
<b>P1.6</b>	I	General-purpose input	P1_IN.P6	P1_IOCRR06.PC	0XXX <sub>B</sub>
		DX0D	U2C0		
		CC61INA	CCU62		
	O	General-purpose output	P1_OUT.P6		1X00 <sub>B</sub>
		CC61	CCU62		1X01 <sub>B</sub>
		SELO2	U1C1		1X10 <sub>B</sub>
		DOUT	U2C0		1X11 <sub>B</sub>
	DIR1	A14	EBC; SEN		HW_Out
<b>P1.7</b>	I	General-purpose input	P1_IN.P7	P1_IOCRR07.PC	0XXX <sub>B</sub>
		DX1C	U2C0		
		CC60INA	CCU62		
	O	General-purpose output	P1_OUT.P7		1X00 <sub>B</sub>
		CC60	CCU62		1X01 <sub>B</sub>
		MCLKOUT	U1C1		1X10 <sub>B</sub>
		SCLKOUT	U2C0		1X11 <sub>B</sub>
	DIR1	A15	EBC; SEN		HW_Out

### 7.3.4 Port 2

Port 2 is an 13-bit GPIO port.

The CLKOUT pad P2.8

In order to drive high frequency clock signals, a strong driver is connected parallel to the normal output driver of the pad P2.8. This strong driver shows the following behavior:

- Only one fixed driver strength - strong driver sharp edge.  
This means that the driver-strength settings of the standard port in the register P2\_POCON.PDM2 does not apply to this additional driver.
- Does not have additional pull-ups and does not influence the standard behavior of the pull devices of the standard output driver, but can be switched to input/output via the P2\_IOCRO8 register

Mutually exclusive operation with the standard output driver

Which output is enabled and reacts to P2\_IOCRO8 settings at any moment is set by the bit field P2\_POCON.PDM3

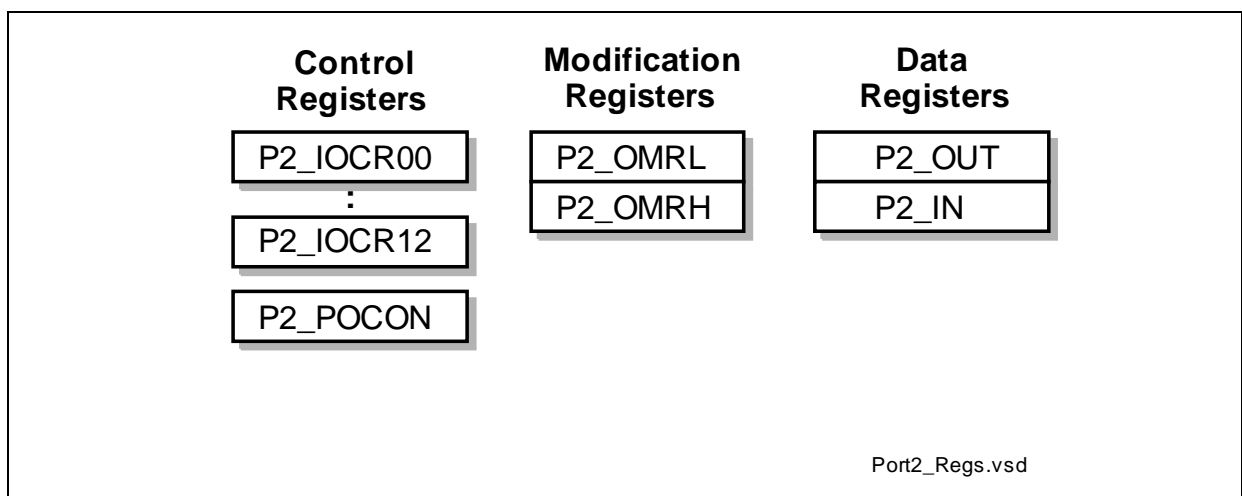
The standard drivers of the pin group P2.8 to p2.12 is controlled by P2\_POCON.PDM2 and PPS2 bitfields.

The pad is disabled during reset state, ENPS active state and by default after reset

#### 7.3.4.1 Overview

The port registers of Port 2 are shown in [Figure 7-6](#).

For this port, all pins can be read as GPIO, from the Port Input Register.



**Figure 7-6 Port 2 Register Overview**



**Table 7-10 Port 2 Registers**

<b>Register Short Name</b>	<b>Register Long Name</b>	<b>Address Offset</b>	<b>Reset Value</b>
P2_OUT	Port 2 Output Register	FFA6 <sub>H</sub>	0000 <sub>H</sub>
P2_IN	Port 2 Input Register	FF84 <sub>H</sub>	0000 <sub>H</sub>
P2_OMRL	Port 2 Output Modification Register Low	E9C8 <sub>H</sub>	0000 <sub>H</sub>
P2_OMRH	Port 2 Output Modification Register High	E9CA <sub>H</sub>	0000 <sub>H</sub>
P2_POCON	Port 2 Output Control Register	E8A4 <sub>H</sub>	0000 <sub>H</sub>
P2_IOCRO0	Port 2 Input/Output Control Register 0	E840 <sub>H</sub>	0000 <sub>H</sub>
P2_IOCRO1	Port 2 Input/Output Control Register 1	E842 <sub>H</sub>	0000 <sub>H</sub>
P2_IOCRO2	Port 2 Input/Output Control Register 2	E844 <sub>H</sub>	0000 <sub>H</sub>
P2_IOCRO3	Port 2 Input/Output Control Register 3	E846 <sub>H</sub>	0000 <sub>H</sub>
P2_IOCRO4	Port 2 Input/Output Control Register 4	E848 <sub>H</sub>	0000 <sub>H</sub>
P2_IOCRO5	Port 2 Input/Output Control Register 5	E84A <sub>H</sub>	0000 <sub>H</sub>
P2_IOCRO6	Port 2 Input/Output Control Register 6	E84C <sub>H</sub>	0000 <sub>H</sub>
P2_IOCRO7	Port 2 Input/Output Control Register 7	E84E <sub>H</sub>	0000 <sub>H</sub>
P2_IOCRO8	Port 2 Input/Output Control Register 8	E850 <sub>H</sub>	0000 <sub>H</sub>
P2_IOCRO9	Port 2 Input/Output Control Register 9	E852 <sub>H</sub>	0000 <sub>H</sub>
P2_IOCRO10	Port 2 Input/Output Control Register 10	E854 <sub>H</sub>	0000 <sub>H</sub>
P2_IOCRO11	Port 2 Input/Output Control Register 11	E856 <sub>H</sub>	0000 <sub>H</sub>
P2_IOCRO12	Port 2 Input/Output Control Register 12	E858 <sub>H</sub>	0000 <sub>H</sub>

### 7.3.4.2 Port 2 Functions

The following table describes the mapping between the pins of Port 2 and the related I/O signals.

**Table 7-11 Port 2 Input/Output Functions**

Port Pin	I/O	Connected Signal(s)	From / to Module	Register/Bit Field	Select
<b>P2.0</b>	I	General-purpose input	P2_IN.P0	P2_IOCRO0.PC	0XXX <sub>B</sub>
		D13	EBC		
		RxDC0C	CAN0		
		CC60INB	CCU63		
	O	General-purpose output	P2_OUT.P0		1X00 <sub>B</sub>
		reserved			1X01 <sub>B</sub>
		CC60	CCU63		1X10 <sub>B</sub>
		reserved			1X11 <sub>B</sub>
	DIR1	AD13	EBC; EN1		HW_Out
	<b>P2.1</b>	I	General-purpose input		P2_IN.P1
D14			EBC		
ERU_0A0			SCU		
CC61INB			CCU63		
O		General-purpose output	P2_OUT.P1	1X00 <sub>B</sub>	
		TxDC0	CAN0	1X01 <sub>B</sub>	
		CC61	CCU63	1X10 <sub>B</sub>	
		reserved		1X11 <sub>B</sub>	
DIR1		AD14	EBC; EN1	HW_Out	

Preliminary

Parallel Ports

**Table 7-11 Port 2 Input/Output Functions (cont'd)**

Port Pin	I/O	Connected Signal(s)	From / to Module	Register/Bit Field	Select	
<b>P2.2</b>	I	General-purpose input	P2_IN.P2	P2_IOCRO2.PC	0XXX <sub>B</sub>	
		D15	EBC			
		ECTT1	CAN0 TTCAN			
		ERU_1A0	SCU			
		CC62INB	CCU63			
	O	General-purpose output	P2_OUT.P2		1X00 <sub>B</sub>	
		TxDC1	CAN1		1X01 <sub>B</sub>	
		CC62	CCU63		1X10 <sub>B</sub>	
		reserved			1X11 <sub>B</sub>	
	DIR1	AD15	EBC; EN1			HW_Out
<b>P2.3</b>	I	General-purpose input	P2_IN.P3	P2_IOCRO3.PC	0XXX <sub>B</sub>	
		DX0E	U0C0			
		RXDC0A	CAN0			
		CC2_16	CAPCOM2			
	O	General-purpose output	P2_OUT.P3		1X00 <sub>B</sub>	
		DOUT	U0C0		1X01 <sub>B</sub>	
		COU63	CCU63		1X10 <sub>B</sub>	
		CC2_16	CAPCOM2		1X11 <sub>B</sub>	
	DIR2	A16	EBC; SEN			HW_Out
	<b>P2.4</b>	I	General-purpose input		P2_IN.P4	P2_IOCRO4.PC
DX0F			U0C0			
RXDC1A			CAN1			
CC2_17			CAPCOM2			
O		General-purpose output	P2_OUT.P4	1X00 <sub>B</sub>		
		reserved		1X01 <sub>B</sub>		
		TXDC0	CAN0	1X10 <sub>B</sub>		
		CC2_17	CAPCOM2	1X11 <sub>B</sub>		
DIR2		A17	EBC; SEN		HW_Out	

Preliminary

Parallel Ports

**Table 7-11 Port 2 Input/Output Functions (cont'd)**

Port Pin	I/O	Connected Signal(s)	From / to Module	Register/Bit Field	Select
<b>P2.5</b>	I	General-purpose input	P2_IN.P5	P2_IOCR05.PC	0XXX <sub>B</sub>
		DX1D	U0C0		
		CC2_18	CAPCOM2		
	O	General-purpose output	P2_OUT.P5		1X00 <sub>B</sub>
		SCLKOUT	U0C0		1X01 <sub>B</sub>
		TXDC0	CAN0		1X10 <sub>B</sub>
		CC2_18	CAPCOM2		1X11 <sub>B</sub>
	DIR2	A18	EBC; SEN		HW_Out
<b>P2.6</b>	I	General-purpose input	P2_IN.P6	P2_IOCR06.PC	0XXX <sub>B</sub>
		DX2D	U0C0		
		CC2_19	CAPCOM2		
		RxDC0D	CAN0		
	O	General-purpose output	P2_OUT.P6		1X00 <sub>B</sub>
		SELO0	U0C0		1X01 <sub>B</sub>
		SELO1	U0C1		1X10 <sub>B</sub>
		CC2_19	CAPCOM2		1X11 <sub>B</sub>
DIR2	A19	EBC; SEN	HW_Out		
<b>P2.7</b>	I	General-purpose input	P2_IN.P7	P2_IOCR07.PC	0XXX <sub>B</sub>
		DX2C	U0C1		
		RxDC1C	CAN1		
		CC2_20	CAPCOM2		
	O	General-purpose output	P2_OUT.P7		1X00 <sub>B</sub>
		SELO0	U0C1		1X01 <sub>B</sub>
		SELO1	U0C0		1X10 <sub>B</sub>
		CC2_20	CAPCOM2		1X11 <sub>B</sub>
DIR2	A20	EBC; SEN	HW_Out		

Preliminary

Parallel Ports

**Table 7-11 Port 2 Input/Output Functions (cont'd)**

Port Pin	I/O	Connected Signal(s)	From / to Module	Register/Bit Field	Select
<b>P2.8</b>	I	General-purpose input	P2_IN.P8	P2_IOCRO8.PC	0XXX <sub>B</sub>
		DX1D	U0C1		
		CC2_21	CAPCOM2		
	O	General-purpose output	P2_OUT.P8		1X00 <sub>B</sub>
		SCLKOUT	U0C1		1X01 <sub>B</sub>
		FOUT	SCU		1X10 <sub>B</sub>
		CC2_21	CAPCOM2		1X11 <sub>B</sub>
	DIR2	A21	EBC; SEN		HW_Out
<b>P2.9</b>	I	General-purpose input	P2_IN.P9	P2_IOCRO9.PC	0XXX <sub>B</sub>
		TCK_A	JTAG		
		CC2_22	CAPCOM2		
	O	General-purpose output	P2_OUT.P9		1X00 <sub>B</sub>
		DOUT	U0C1		1X01 <sub>B</sub>
		TXDC1	CAN1		1X10 <sub>B</sub>
		CC2_22	CAPCOM2		1X11 <sub>B</sub>
	SDIR	A22	EBC; SEN		HW_Out
<b>P2.10</b>	I	General-purpose input	P2_IN.P10	P2_IOCRO10.PC	0XXX <sub>B</sub>
		DX0E	U0C1		
		CC2_23	CAPCOM2		
		CAPIN	GPT12E		
	O	General-purpose output	P2_OUT.P10		1X00 <sub>B</sub>
		DOUT	U0C1		1X01 <sub>B</sub>
		SELO3	U0C0		1X10 <sub>B</sub>
		CC2_23	CAPCOM2		1X11 <sub>B</sub>
DIR2	A23	EBC; SEN	HW_Out		

Preliminary

Parallel Ports

**Table 7-11 Port 2 Input/Output Functions (cont'd)**

Port Pin	I/O	Connected Signal(s)	From / to Module	Register/Bit Field	Select
<b>P2.11</b>	I	General-purpose input	P2_IN.P11	P2_IOCR11.PC	0XXX <sub>B</sub>
	O	General-purpose output	P2_OUT.P11		1X00 <sub>B</sub>
		SELO2	U0C0		1X01 <sub>B</sub>
		SELO2	U0C1		1X10 <sub>B</sub>
		reserved			1X11 <sub>B</sub>
	SDIR	$\overline{\text{BHE}}$	EBC; SEN		HW_Out
<b>P2.12</b>	I	General-purpose input	P2_IN.P12	P2_IOCR12.PC	0XXX <sub>B</sub>
		READY	EBC		
	O	General-purpose output	P2_OUT.P12		1X00 <sub>B</sub>
		SELO4	U0C0		1X01 <sub>B</sub>
		SELO3	U0C1		1X10 <sub>B</sub>
		reserved			1X11 <sub>B</sub>
	SDIR	READY	EBC; SEN		HW_Out

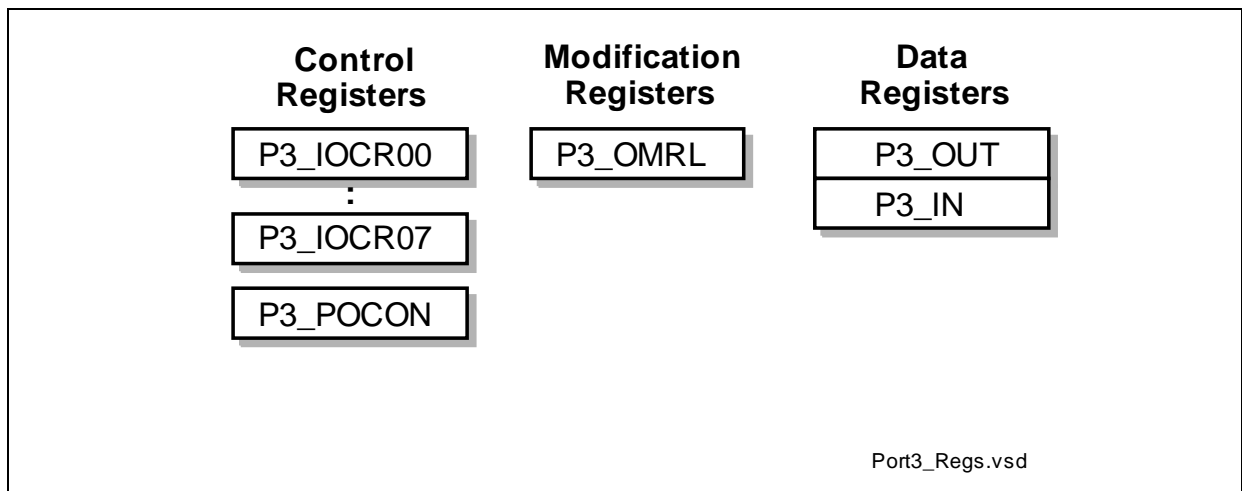
### 7.3.5 Port 3

Port 3 is an 8-bit GPIO port.

#### 7.3.5.1 Overview

The port registers of Port 3 are shown in [Figure 7-7](#).

For this port, all pins can be read as GPIO, from the Port Input Register.



**Figure 7-7 Port 3 Register Overview**

**Table 7-12 Port 3 Registers**

Register Short Name	Register Long Name	Address Offset	Reset Value
P3_OUT	Port 3 Output Register	FFA8 <sub>H</sub>	0000 <sub>H</sub>
P3_IN	Port 3 Input Register	FF86 <sub>H</sub>	0000 <sub>H</sub>
P3_OMRL	Port 3 Output Modification Register Low	E9CC <sub>H</sub>	0000 <sub>H</sub>
P3_POCON	Port 3 Output Control Register	E8A6 <sub>H</sub>	0000 <sub>H</sub>
P3_IOCRR00	Port 3 Input/Output Control Register 0	E860 <sub>H</sub>	0000 <sub>H</sub>
P3_IOCRR01	Port 3 Input/Output Control Register 1	E862 <sub>H</sub>	0000 <sub>H</sub>
P3_IOCRR02	Port 3 Input/Output Control Register 2	E864 <sub>H</sub>	0000 <sub>H</sub>
P3_IOCRR03	Port 3 Input/Output Control Register 3	E866 <sub>H</sub>	0000 <sub>H</sub>
P3_IOCRR04	Port 3 Input/Output Control Register 4	E868 <sub>H</sub>	0000 <sub>H</sub>
P3_IOCRR05	Port 3 Input/Output Control Register 5	E86A <sub>H</sub>	0000 <sub>H</sub>
P3_IOCRR06	Port 3 Input/Output Control Register 6	E86C <sub>H</sub>	0000 <sub>H</sub>
P3_IOCRR07	Port 3 Input/Output Control Register 7	E86E <sub>H</sub>	0000 <sub>H</sub>

### 7.3.5.2 Port 3 Functions

The following table describes the mapping between the pins of Port 3 and the related I/O signals.

**Table 7-13 Port 3 Input/Output Functions**

Port Pin	I/O	Connected Signal(s)	From / to Module	Register/Bit Field	Select
<b>P3.0</b>	I	General-purpose input	P3_IN.P0	P3_IOCRO0.PC	0XXX <sub>B</sub>
		DX0A	U2C0		
		RxDC3B	CAN3		
		DX1A	U2C0		
	O	General-purpose output	P3_OUT.P0		1X00 <sub>B</sub>
		DOUT	U2C0		1X01 <sub>B</sub>
		reserved			1X10 <sub>B</sub>
		reserved			1X11 <sub>B</sub>
SDIR	$\overline{\text{BREQ}}$	EBC; EN3	HW_Out		
<b>P3.1</b>	I	General-purpose input	P3_IN.P1	P3_IOCRO1.PC	0XXX <sub>B</sub>
		DX0B	U2C0		
		$\overline{\text{HLDA}}$	EBC		
	O	General-purpose output	P3_OUT.P1		1X00 <sub>B</sub>
		DOUT	U2C0		1X01 <sub>B</sub>
		TXDC3	CAN3		1X10 <sub>B</sub>
		reserved			1X11 <sub>B</sub>
	SDIR	$\overline{\text{HLDA}}$	EBC; EN3		HW_Out
<b>P3.2</b>	I	General-purpose input	P3_IN.P2	P3_IOCRO2.PC	0XXX <sub>B</sub>
		DX1B	U2C0		
		$\overline{\text{HOLD}}$	EBC		
	O	General-purpose output	P3_OUT.P2		1X00 <sub>B</sub>
		SCLKOUT	U2C0		1X01 <sub>B</sub>
		TXDC3	CAN3		1X10 <sub>B</sub>
		reserved			1X11 <sub>B</sub>



Preliminary

Parallel Ports

**Table 7-13 Port 3 Input/Output Functions (cont'd)**

Port Pin	I/O	Connected Signal(s)	From / to Module	Register/Bit Field	Select	
<b>P3.3</b>	I	General-purpose input	P3_IN.P3	P3_IOCRO3.PC	0XXX <sub>B</sub>	
		DX2A	U2C0			
		RXDC3A	CAN3			
	O	General-purpose output	P3_OUT.P3		P3_IOCRO3.PC	1X00 <sub>B</sub>
		SELO0	U2C0			1X01 <sub>B</sub>
		SELO1	U2C1			1X10 <sub>B</sub>
		reserved				1X11 <sub>B</sub>
<b>P3.4</b>	I	General-purpose input	P3_IN.P4	P3_IOCRO4.PC	0XXX <sub>B</sub>	
		DX2A	U2C1			
		RXDC4A	CAN4			
	O	General-purpose output	P3_OUT.P4		P3_IOCRO4.PC	1X00 <sub>B</sub>
		SELO0	U2C1			1X01 <sub>B</sub>
		SELO1	U2C0			1X10 <sub>B</sub>
		SELO4	U0C0			1X11 <sub>B</sub>
<b>P3.5</b>	I	General-purpose input	P3_IN.P5	P3_IOCRO5.PC	0XXX <sub>B</sub>	
		DX1A	U2C1			
	O	General-purpose output	P3_OUT.P5		P3_IOCRO5.PC	1X00 <sub>B</sub>
		SCLKOUT	U2C1			1X01 <sub>B</sub>
		SELO2	U2C0			1X10 <sub>B</sub>
	SELO5	U0C0	1X11 <sub>B</sub>			
<b>P3.6</b>	I	General-purpose input	P3_IN.P6	P3_IOCRO6.PC	0XXX <sub>B</sub>	
		DX0A	U2C1			
		DX1B	U2C1			
	O	General-purpose output	P3_OUT.P6		P3_IOCRO6.PC	1X00 <sub>B</sub>
		DOUT	U2C1			1X01 <sub>B</sub>
		TXDC4	CAN4			1X10 <sub>B</sub>
		SELO6	U0C0			1X11 <sub>B</sub>

Preliminary

Parallel Ports

**Table 7-13 Port 3 Input/Output Functions (cont'd)**

Port Pin	I/O	Connected Signal(s)	From / to Module	Register/Bit Field	Select
P3.7	I	General-purpose input	P3_IN.P7	P3_IOC07.PC	0XXX <sub>B</sub>
		DX0B	U2C1		
	O	General-purpose output	P3_OUT.P7		1X00 <sub>B</sub>
		DOUT	U2C1		1X01 <sub>B</sub>
		SELO3	U2C0		1X10 <sub>B</sub>
		SELO7	U0C0		1X11 <sub>B</sub>

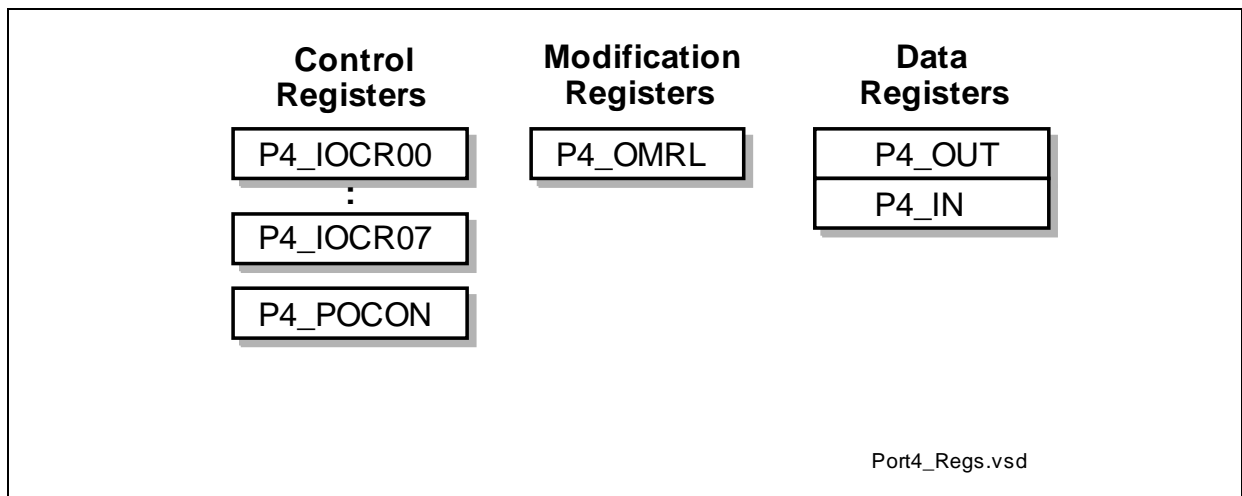
### 7.3.6 Port 4

Port 4 is an 8-bit GPIO port.

#### 7.3.6.1 Overview

The port registers of Port 4 are shown in [Figure 7-8](#).

For this port, all pins can be read as GPIO, from the Port Input Register.



**Figure 7-8 Port 4 Register Overview**

**Table 7-14 Port 4 Registers**

Register Short Name	Register Long Name	Address Offset	Reset Value
P4_OUT	Port 4 Output Register	FFAA <sub>H</sub>	0000 <sub>H</sub>
P4_IN	Port 4 Input Register	FF88 <sub>H</sub>	0000 <sub>H</sub>
P4_OMRL	Port 4 Output Modification Register Low	E9D0 <sub>H</sub>	0000 <sub>H</sub>
P4_POCON	Port 4 Output Control Register	E8A8 <sub>H</sub>	0000 <sub>H</sub>
P4_IOCRR00	Port 4 Input/Output Control Register 0	E880 <sub>H</sub>	0000 <sub>H</sub>
P4_IOCRR01	Port 4 Input/Output Control Register 1	E882 <sub>H</sub>	0000 <sub>H</sub>
P4_IOCRR02	Port 4 Input/Output Control Register 2	E884 <sub>H</sub>	0000 <sub>H</sub>
P4_IOCRR03	Port 4 Input/Output Control Register 3	E886 <sub>H</sub>	0000 <sub>H</sub>
P4_IOCRR04	Port 4 Input/Output Control Register 4	E888 <sub>H</sub>	0000 <sub>H</sub>
P4_IOCRR05	Port 4 Input/Output Control Register 5	E88A <sub>H</sub>	0000 <sub>H</sub>
P4_IOCRR06	Port 4 Input/Output Control Register 6	E88C <sub>H</sub>	0000 <sub>H</sub>
P4_IOCRR07	Port 4 Input/Output Control Register 7	E88E <sub>H</sub>	0000 <sub>H</sub>

### 7.3.6.2 Port 4 Functions

The following table describes the mapping between the pins of Port 4 and the related I/O signals.

**Table 7-15 Port 4 Input/Output Functions**

Port Pin	I/O	Connected Signal(s)	From / to Module	Register/Bit Field	Select
<b>P4.0</b>	I	General-purpose input	P4_IN.P0	P4_IOCRR0.PC	0XXX <sub>B</sub>
		CC2_24	CAPCOM2		
	O	General-purpose output	P4_OUT.P0		1X00 <sub>B</sub>
		reserved			1X01 <sub>B</sub>
		reserved			1X10 <sub>B</sub>
	CC2_24	CAPCOM2	1X11 <sub>B</sub>		
DIR3	$\overline{CS0}$	EBC; SEN	HW_Out		
<b>P4.1</b>	I	General-purpose input	P4_IN.P1	P4_IOCRR1.PC	0XXX <sub>B</sub>
		CC2_25	CAPCOM2		
	O	General-purpose output	P4_OUT.P1		1X00 <sub>B</sub>
		reserved			1X01 <sub>B</sub>
		TXDC2	CAN2		1X10 <sub>B</sub>
	CC2_25	CAPCOM2	1X11 <sub>B</sub>		
DIR3	$\overline{CS1}$	EBC; SEN	HW_Out		
<b>P4.2</b>	I	General-purpose input	P4_IN.P2	P4_IOCRR2.PC	0XXX <sub>B</sub>
		CC2_26	CAPCOM2		
		T2IN	GPT12E		
	O	General-purpose output	P4_OUT.P2		1X00 <sub>B</sub>
		reserved			1X01 <sub>B</sub>
		TXDC2	CAN2		1X10 <sub>B</sub>
CC2_26	CAPCOM2	1X11 <sub>B</sub>			
DIR3	$\overline{CS2}$	EBC; SEN	HW_Out		

Preliminary

Parallel Ports

**Table 7-15 Port 4 Input/Output Functions (cont'd)**

Port Pin	I/O	Connected Signal(s)	From / to Module	Register/Bit Field	Select	
<b>P4.3</b>	I	General-purpose input	P4_IN.P3	P4_IOCRO3.PC	0XXX <sub>B</sub>	
		RXDC2A	CAN2			
		CC2_27	CAPCOM2			
		T2EUD	GPT12E			
	O	General-purpose output	P4_OUT.P3		1X00 <sub>B</sub>	
		reserved				1X01 <sub>B</sub>
		reserved				1X10 <sub>B</sub>
		CC2_27	CAPCOM2			1X11 <sub>B</sub>
DIR3	$\overline{CS3}$	EBC; SEN		HW_Out		
<b>P4.4</b>	I	General-purpose input	P4_IN.P4	P4_IOCRO4.PC	0XXX <sub>B</sub>	
		CC2_28	CAPCOM2			
		COUNT	RTC			
	O	General-purpose output	P4_OUT.P4		1X00 <sub>B</sub>	
		reserved				1X01 <sub>B</sub>
		reserved				1X10 <sub>B</sub>
		CC2_28	CAPCOM2			1X11 <sub>B</sub>
	DIR3	$\overline{CS4}$	EBC; SEN			HW_Out
<b>P4.5</b>	I	General-purpose input	P4_IN.P5	P4_IOCRO5.PC	0XXX <sub>B</sub>	
		CC2_29	CAPCOM2			
	O	General-purpose output	P4_OUT.P5		1X00 <sub>B</sub>	
		reserved				1X01 <sub>B</sub>
		reserved				1X10 <sub>B</sub>
CC2_29	CAPCOM2	1X11 <sub>B</sub>				

Preliminary

Parallel Ports

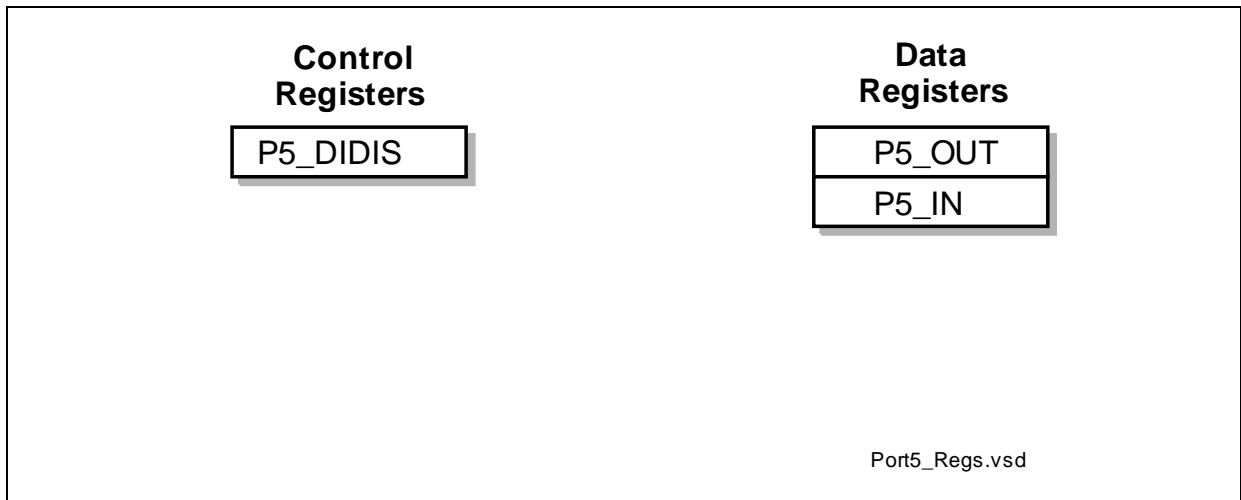
**Table 7-15 Port 4 Input/Output Functions (cont'd)**

Port Pin	I/O	Connected Signal(s)	From / to Module	Register/Bit Field	Select	
<b>P4.6</b>	I	General-purpose input	P4_IN.P6	P4_IOCRO6.PC	0XXX <sub>B</sub>	
		CC2_30	CAPCOM2			
		T4IN	GPT12E			
	O	General-purpose output	P4_OUT.P6		P4_IOCRO6.PC	1X00 <sub>B</sub>
		reserved				1X01 <sub>B</sub>
		reserved				1X10 <sub>B</sub>
		CC2_30	CAPCOM2			1X11 <sub>B</sub>
<b>P4.7</b>	I	General-purpose input	P4_IN.P7	P4_IOCRO7.PC	0XXX <sub>B</sub>	
		CC2_31	CAPCOM2			
		T4EUD	GPT12E			
	O	General-purpose output	P4_OUT.P7		P4_IOCRO7.PC	1X00 <sub>B</sub>
		reserved				1X01 <sub>B</sub>
		reserved				1X10 <sub>B</sub>
		CC2_31	CAPCOM2			1X11 <sub>B</sub>

### 7.3.7 Port 5

Port 5 is an 16-bit analog or digital input port.

To use the Port 5 as an analog input, the Schmitt trigger in the input stage must be disabled. This is achieved by setting the corresponding bit in the register P5\_DIDIS.



**Figure 7-9 Port 5 Register Overview**

**Table 7-16 Port 5 Registers**

Register Short Name	Register Long Name	Address Offset	Reset Value
P5_IN	Port 5 Input Register	FF8A <sub>H</sub>	0000 <sub>H</sub>
P5_DIDIS	Port 5 Digital Input Disable Register	FE8A <sub>H</sub>	0000 <sub>H</sub>

### 7.3.7.1 Port 5 Functions

The following table describes the mapping between the pins of Port 5 and the related I/O signals.

**Table 7-17 Port 5 Input/Output Functions**

Port Pin	I/O	Select	Connected Signal(s)	From / to Module
P5.0	I			
P5.1	I			
P5.2	I		TDI_A	JTAG
P5.3	I		T3IN	GPT12E
P5.4	I		T12HRB	CCU63
			T3EUD	GPT12E
			TMS_A	JTAG
P5.5	I		T12HRB	CCU60
P5.6	I			
P5.7	I			
P5.8	I		T12HRC	CCU60
			T13HRC	CCU60
			T12HRC	CCU61
			T13HRC	CCU61
			T12HRC	CCU62
			T13HRC	CCU62
			T12HRC	CCU63
			T13HRC	CCU63
P5.9	I		CC2_T7IN	CAPCOM2
P5.10	I		$\overline{\text{BRKIN}}_A$	JTAG
P5.11	I			
P5.12	I			
P5.13	I		ERU_0B1	SCU
P5.14	I			
P5.15	I		ECTT3	CAN0 TTCAN



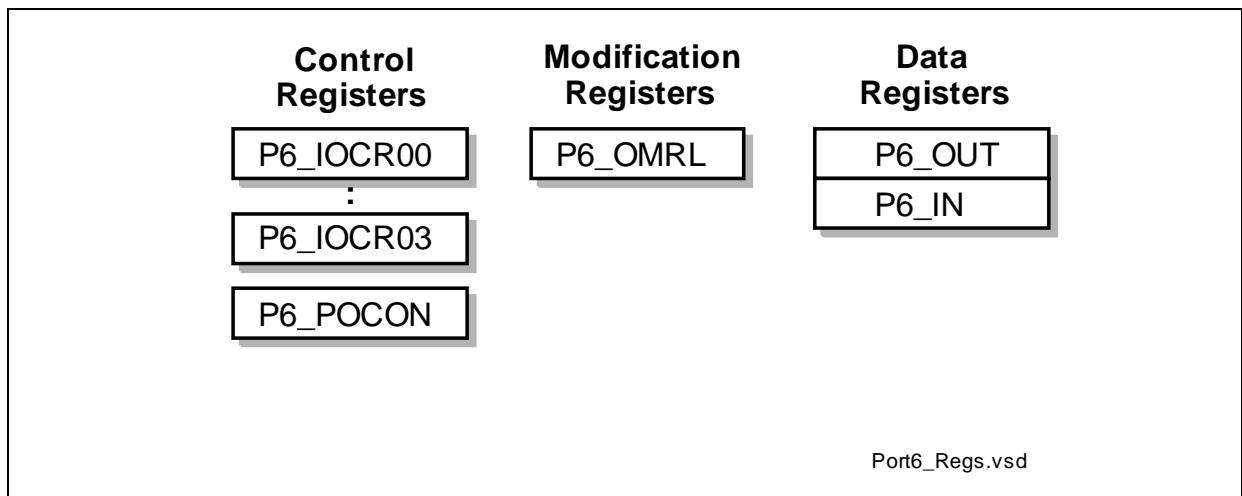
### 7.3.8 Port 6

Port 6 is an 4-bit GPIO port.

#### 7.3.8.1 Overview

The port registers of Port 6 are shown in [Figure 7-10](#).

For this port, all pins can be read as GPIO, from the Port Input Register.



**Figure 7-10 Port 6 Register Overview**

**Table 7-18 Port 6 Registers**

Register Short Name	Register Long Name	Address Offset	Reset Value
P6_OUT	Port 6 Output Register	FFAE <sub>H</sub>	0000 <sub>H</sub>
P6_IN	Port 6 Input Register	FF8C <sub>H</sub>	0000 <sub>H</sub>
P6_OMRL	Port 6 Output Modification Register Low	E9D8 <sub>H</sub>	0000 <sub>H</sub>
P6_POCON	Port 6 Output Control Register	E8AC <sub>H</sub>	0000 <sub>H</sub>
P6_IOCRR00	Port 6 Input/Output Control Register 0	E8C0 <sub>H</sub>	0000 <sub>H</sub>
P6_IOCRR01	Port 6 Input/Output Control Register 1	E8C2 <sub>H</sub>	0000 <sub>H</sub>
P6_IOCRR02	Port 6 Input/Output Control Register 2	E8C4 <sub>H</sub>	0000 <sub>H</sub>
P6_IOCRR03	Port 6 Input/Output Control Register 4	E8C6 <sub>H</sub>	0000 <sub>H</sub>

### 7.3.8.2 Port 6 Functions

The following table describes the mapping between the pins of Port 6 and the related I/O signals.

**Table 7-19 Port 6 Input/Output Functions**

Port Pin	I/O	Connected Signal(s)	From / to Module	Register/Bit Field	Select	
<b>P6.0</b>	I	General-purpose input	P6_IN.P0	P6_IOCRO0.PC	0XXX <sub>B</sub>	
		REQGT0C	ADC0			
		REQGT1C	ADC0			
		REQGT2C	ADC0			
		REQGT0C	ADC1			
		REQGT1C	ADC1			
		REQGT2C	ADC1			
		DX0E	U1C1			
	O	General-purpose output	P6_OUT.P0	P6_IOCRO0.PC	1X00 <sub>B</sub>	
		EMUX0	ADC0		1X01 <sub>B</sub>	
		DOUT	U1C1		1X10 <sub>B</sub>	
		BRKOUT	P6_OUT.P		1X11 <sub>B</sub>	
	<b>P6.1</b>	I	General-purpose input	P6_IN.P1	P6_IOCRO1.PC	0XXX <sub>B</sub>
			REQTR0C	ADC0		
			REQTR1C	ADC0		
REQTR2C			ADC0			
REQTR0C			ADC1			
REQTR1C			ADC1			
REQTR2C			ADC1			
O		General-purpose output	P6_OUT.P1	P6_IOCRO1.PC	1X00 <sub>B</sub>	
		EMUX1	ADC0		1X01 <sub>B</sub>	
		T3OUT	GPT12E		1X10 <sub>B</sub>	
		DOUT	U1C1		1X11 <sub>B</sub>	

Preliminary

Parallel Ports

**Table 7-19 Port 6 Input/Output Functions (cont'd)**

Port Pin	I/O	Connected Signal(s)	From / to Module	Register/Bit Field	Select
<b>P6.2</b>	I	General-purpose input	P6_IN.P2	P6_IOCRO2.PC	0XXX <sub>B</sub>
		DX1C	U1C1		
	O	General-purpose output	P6_OUT.P2		1X00 <sub>B</sub>
		EMUX2	ADC0		1X01 <sub>B</sub>
		T6OUT	GPT12E		1X10 <sub>B</sub>
SCLK	U1C1	1X11 <sub>B</sub>			
<b>P6.3</b>	I	General-purpose input	P6_IN.P3	P6_IOCRO3.PC	0XXX <sub>B</sub>
		DX2D	U1C1		
		REQTR0D	ADC0		
		REQTR1D	ADC0		
		REQTR2D	ADC0		
		REQTR0D	ADC1		
		REQTR1D	ADC1		
		REQTR2D	ADC1		
	O	General-purpose output	P6_OUT.P3		1X00 <sub>B</sub>
		reserved			1X01 <sub>B</sub>
		T3OUT	GPT12E		1X10 <sub>B</sub>
		SEL0	U1C1		1X11 <sub>B</sub>

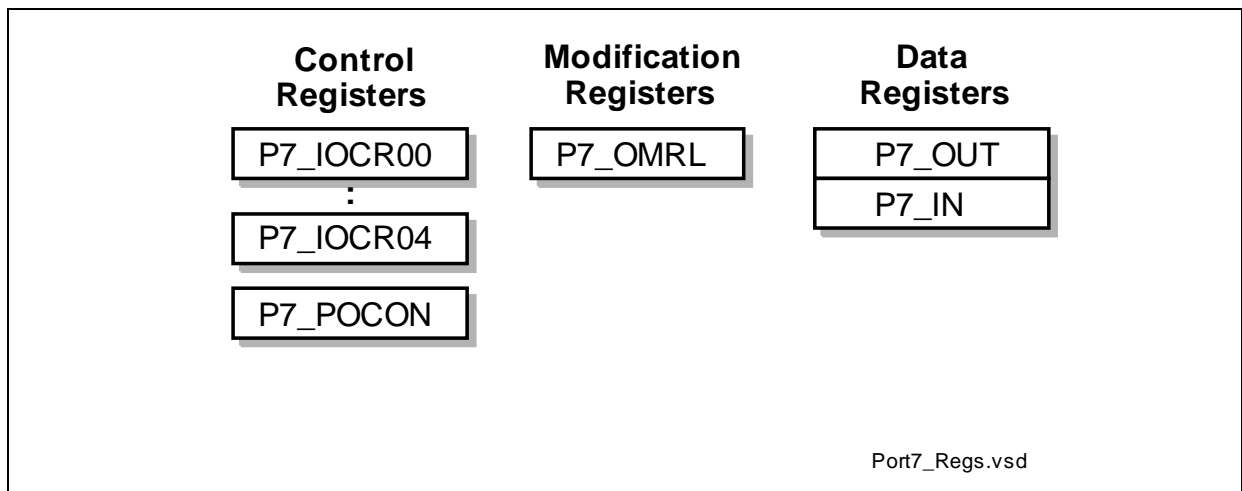
### 7.3.9 Port 7

Port 7 is a 5-bit GPIO port.

#### 7.3.9.1 Overview

The port registers of Port 7 are shown in [Figure 7-11](#).

For this port, all pins can be read as GPIO, from the Port Input Register.



**Figure 7-11 Port 7 Register Overview**

**Table 7-20 Port 7 Registers**

Register Short Name	Register Long Name	Address Offset	Reset Value
P7_OUT	Port 7 Output Register	FFB0 <sub>H</sub>	0000 <sub>H</sub>
P7_IN	Port 7 Input Register	FF8E <sub>H</sub>	0000 <sub>H</sub>
P7_OMRL	Port 7 Output Modification Register Low	E9DC <sub>H</sub>	0000 <sub>H</sub>
P7_POCON	Port 7 Output Control Register	E8AE <sub>H</sub>	0000 <sub>H</sub>
P7_IOCRR0	Port 7 Input/Output Control Register 0	E8E0 <sub>H</sub>	0000 <sub>H</sub>
P7_IOCRR1	Port 7 Input/Output Control Register 1	E8E2 <sub>H</sub>	0000 <sub>H</sub>
P7_IOCRR2	Port 7 Input/Output Control Register 2	E8E4 <sub>H</sub>	0000 <sub>H</sub>
P7_IOCRR3	Port 7 Input/Output Control Register 3	E8E6 <sub>H</sub>	0000 <sub>H</sub>
P7_IOCRR4	Port 7 Input/Output Control Register 4	E8E8 <sub>H</sub>	0000 <sub>H</sub>

### 7.3.9.2 Port 7 Functions

The following table describes the mapping between the pins of Port 7 and the related I/O signals.

**Table 7-21 Port 7 Input/Output Functions**

Port Pin	I/O	Connected Signal(s)	From / to Module	Register/Bit Field	Select
<b>P7.0</b>	I	General-purpose input	P7_IN.P0	P7_IOCRR00.PC	0XXX <sub>B</sub>
		RXDC4B	CAN4		
	O	General-purpose output	P7_OUT.P0		1X00 <sub>B</sub>
		T3OUT	GPT12E		1X01 <sub>B</sub>
		T6OUT	GPT12E		1X10 <sub>B</sub>
		reserved			1X11 <sub>B</sub>
	SDIR	TDO	JTAG SEN		HW_O ut
<b>P7.1</b>	I	General-purpose input	P7_IN.P1	P7_IOCRR01.PC	0XXX <sub>B</sub>
		CTRAPA	CCU62		
		$\overline{\text{BRKIN\_C}}$	JTAG		
	O	General-purpose output	P7_OUT.P1		1X00 <sub>B</sub>
		FOUT	SCU		1X01 <sub>B</sub>
		TXDC4	CAN4		1X10 <sub>B</sub>
		reserved			1X11 <sub>B</sub>
<b>P7.2</b>	I	General-purpose input	P7_IN.P2	P7_IOCRR02.PC	0XXX <sub>B</sub>
		CCPOS0A	CCU62		
		TDI_C	JTAG		
	O	General-purpose output	P7_OUT.P2		1X00 <sub>B</sub>
		EMUX0	ADC1		1X01 <sub>B</sub>
		TXDC4	CAN4		1X10 <sub>B</sub>
		reserved			1X11 <sub>B</sub>

Preliminary

Parallel Ports

**Table 7-21 Port 7 Input/Output Functions (cont'd)**

Port Pin	I/O	Connected Signal(s)	From / to Module	Register/Bit Field	Select	
<b>P7.3</b>	I	General-purpose input	P7_IN.P3	P7_IOCRO3.PC	0XXX <sub>B</sub>	
		CCPOS1A	CCU62			
		TMS_C	JTAG			
		DX0F	U0C1			
	O	General-purpose output	P7_OUT.P3		1X00 <sub>B</sub>	
		EMUX1	ADC1			1X01 <sub>B</sub>
		DOUT	U0C1			1X10 <sub>B</sub>
		DOUT	U0C0			1X11 <sub>B</sub>
<b>P7.4</b>	I	General-purpose input	P7_IN.P4	P7_IOCRO4.PC	0XXX <sub>B</sub>	
		CCPOS2A	CCU62			
		TCK_C	JTAG			
		DX0D	U0C0			
		DX1E	U0C1			
	O	General-purpose output	P7_IN.P4		1X00 <sub>B</sub>	
		EMUX2	ADC1			1X01 <sub>B</sub>
		DOUT	U0C1			1X10 <sub>B</sub>
SCLK		U0C1	1X11 <sub>B</sub>			

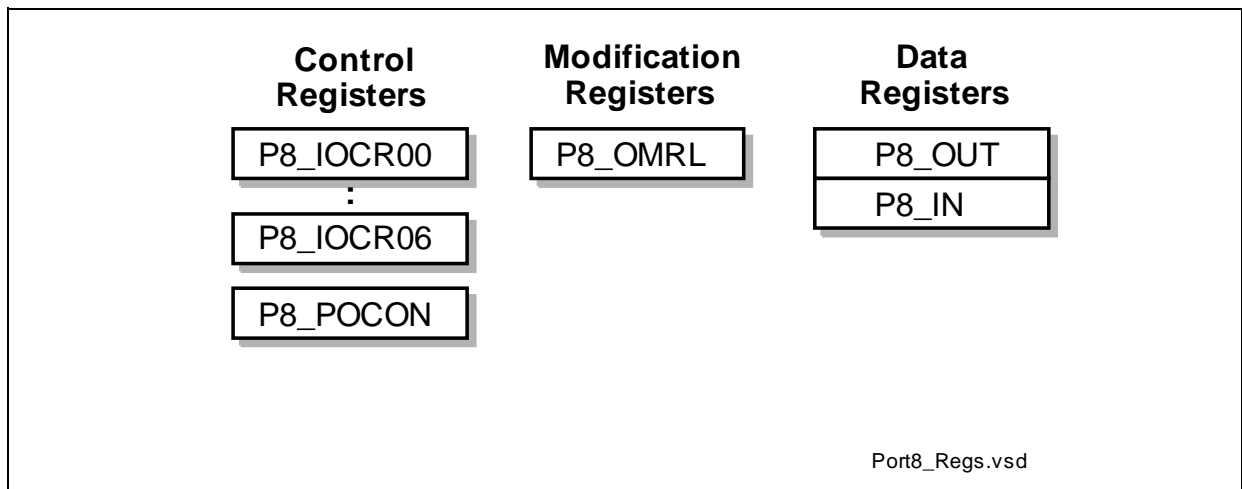
### 7.3.10 Port 8

Port 8 is an 7-bit GPIO port.

#### 7.3.10.1 Overview

The port registers of Port 8 are shown in [Figure 7-12](#).

For this port, all pins can be read as GPIO, from the Port Input Register.



**Figure 7-12 Port 8 Register Overview**

**Table 7-22 Port 8 Registers**

Register Short Name	Register Long Name	Address Offset	Reset Value
P8_OUT	Port 8 Output Register	FFB2 <sub>H</sub>	0000 <sub>H</sub>
P8_IN	Port 8 Input Register	FF90 <sub>H</sub>	0000 <sub>H</sub>
P8_OMRL	Port 8 Output Modification Register Low	E9E0 <sub>H</sub>	0000 <sub>H</sub>
P8_POCON	Port 8 Output Control Register	E8B0 <sub>H</sub>	0000 <sub>H</sub>
P8_IOCRR00	Port 8 Input/Output Control Register 0	E900 <sub>H</sub>	0000 <sub>H</sub>
P8_IOCRR01	Port 8 Input/Output Control Register 1	E902 <sub>H</sub>	0000 <sub>H</sub>
P8_IOCRR02	Port 8 Input/Output Control Register 2	E904 <sub>H</sub>	0000 <sub>H</sub>
P8_IOCRR03	Port 8 Input/Output Control Register 3	E906 <sub>H</sub>	0000 <sub>H</sub>
P8_IOCRR04	Port 8 Input/Output Control Register 4	E908 <sub>H</sub>	0000 <sub>H</sub>
P8_IOCRR05	Port 8 Input/Output Control Register 5	E90A <sub>H</sub>	0000 <sub>H</sub>
P8_IOCRR06	Port 8 Input/Output Control Register 6	E90C <sub>H</sub>	0000 <sub>H</sub>

### 7.3.10.2 Port 8 Functions

The following table describes the mapping between the pins of Port 8 and the related I/O signals.

**Table 7-23 Port 8 Input/Output Functions**

Port Pin	I/O	Connected Signal(s)	From / to Module	Register/Bit Field	Select		
<b>P8.0</b>	I	General-purpose input	P8_IN.P0	P8_IOCRR0.PC	0XXX <sub>B</sub>		
		CC60INB	CCU60				
	O	General-purpose output	P8_OUT.P0		1X00 <sub>B</sub>		
		CC60	CCU60		1X01 <sub>B</sub>		
		reserved			1X10 <sub>B</sub>		
		reserved			1X11 <sub>B</sub>		
	<b>P8.1</b>	I	General-purpose input		P8_IN.P1	P8_IOCRR1.PC	0XXX <sub>B</sub>
			CC61INB		CCU60		
O		General-purpose output	P8_OUT.P1	1X00 <sub>B</sub>			
		CC61	CCU60	1X01 <sub>B</sub>			
		reserved		1X10 <sub>B</sub>			
		reserved		1X11 <sub>B</sub>			
<b>P8.2</b>		I	General-purpose input	P8_IN.P2	P8_IOCRR2.PC		0XXX <sub>B</sub>
			CC62INB	CCU60			
	O	General-purpose output	P8_OUT.P2	1X00 <sub>B</sub>			
		CC62	CCU60	1X01 <sub>B</sub>			
		reserved		1X10 <sub>B</sub>			
		reserved		1X11 <sub>B</sub>			
	<b>P8.3</b>	I	General-purpose input	P8_IN.P3		P8_IOCRR3.PC	0XXX <sub>B</sub>
			TDI_D	JTAG			
O		General-purpose output	P8_OUT.P3	1X00 <sub>B</sub>			
		COU60	CCU60	1X01 <sub>B</sub>			
		reserved		1X10 <sub>B</sub>			
		reserved		1X11 <sub>B</sub>			



**Table 7-23 Port 8 Input/Output Functions (cont'd)**

Port Pin	I/O	Connected Signal(s)	From / to Module	Register/Bit Field	Select
<b>P8.4</b>	I	General-purpose input	P8_IN.P4	P8_IOCRO4.PC	0XXX <sub>B</sub>
		TMS_D	JTAG		
	O	General-purpose output	P8_OUT.P4		1X00 <sub>B</sub>
		COU61	CCU60		1X01 <sub>B</sub>
		reserved			1X10 <sub>B</sub>
reserved		1X11 <sub>B</sub>			
<b>P8.5</b>	I	General-purpose input	P8_IN.P5	P8_IOCRO5.PC	0XXX <sub>B</sub>
		TCK_D	JTAG		
	O	General-purpose output	P8_OUT.P5		1X00 <sub>B</sub>
		COU62	CCU60		1X01 <sub>B</sub>
		reserved			1X10 <sub>B</sub>
reserved		1X11 <sub>B</sub>			
<b>P8.6</b>	I	General-purpose input	P8_IN.P6	P8_IOCRO6.PC	0XXX <sub>B</sub>
		CTR $\overline{A}$ PB	CCU60		
		BRKIN_D	JTAG		
	O	General-purpose output	P8_OUT.P6		1X00 <sub>B</sub>
		COU63	CCU60		1X01 <sub>B</sub>
reserved		1X10 <sub>B</sub>			
reserved		1X11 <sub>B</sub>			

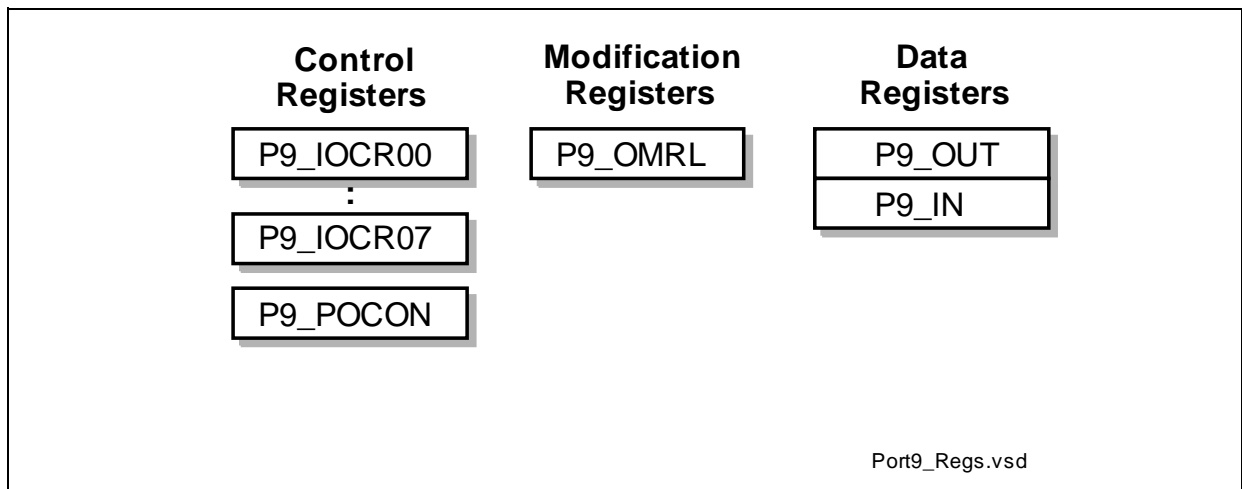
### 7.3.11 Port 9

Port 9 is an 8-bit GPIO port.

#### 7.3.11.1 Overview

The port registers of Port 9 are shown in [Figure 7-13](#).

For this port, all pins can be read as GPIO, from the Port Input Register.



**Figure 7-13 Port 9 Register Overview**

**Table 7-24 Port 9 Registers**

Register Short Name	Register Long Name	Address Offset	Reset Value
P9_OUT	Port 9 Output Register	FFB4 <sub>H</sub>	0000 <sub>H</sub>
P9_IN	Port 9 Input Register	FF92 <sub>H</sub>	0000 <sub>H</sub>
P9_OMRL	Port 9 Output Modification Register Low	E9E4 <sub>H</sub>	0000 <sub>H</sub>
P9_POCON	Port 9 Output Control Register	E8B2 <sub>H</sub>	0000 <sub>H</sub>
P9_IOCRR00	Port 9 Input/Output Control Register 0	E920 <sub>H</sub>	0000 <sub>H</sub>
P9_IOCRR01	Port 9 Input/Output Control Register 1	E922 <sub>H</sub>	0000 <sub>H</sub>
P9_IOCRR02	Port 9 Input/Output Control Register 2	E924 <sub>H</sub>	0000 <sub>H</sub>
P9_IOCRR03	Port 9 Input/Output Control Register 3	E926 <sub>H</sub>	0000 <sub>H</sub>
P9_IOCRR04	Port 9 Input/Output Control Register 4	E928 <sub>H</sub>	0000 <sub>H</sub>
P9_IOCRR05	Port 9 Input/Output Control Register 5	E92A <sub>H</sub>	0000 <sub>H</sub>
P9_IOCRR06	Port 9 Input/Output Control Register 6	E92C <sub>H</sub>	0000 <sub>H</sub>
P9_IOCRR07	Port 9 Input/Output Control Register 7	E92E <sub>H</sub>	0000 <sub>H</sub>

### 7.3.11.2 Port 9 Functions

The following table describes the mapping between the pins of Port 9 and the related I/O signals.

**Table 7-25 Port 9 Input/Output Functions**

Port Pin	I/O	Connected Signal(s)	From / to Module	Register/Bit Field	Select		
<b>P9.0</b>	I	General-purpose input	P9_IN.P0	P9_IOCRO0.PC	0XXX <sub>B</sub>		
		CC60INA	CCU63				
	O	General-purpose output	P9_OUT.P0		1X00 <sub>B</sub>		
		CC60	CCU63		1X01 <sub>B</sub>		
		reserved			1X10 <sub>B</sub>		
		reserved			1X11 <sub>B</sub>		
	<b>P9.1</b>	I	General-purpose input		P9_IN.P1	P9_IOCRO1.PC	0XXX <sub>B</sub>
			CC61INA		CCU63		
O		General-purpose output	P9_OUT.P1	1X00 <sub>B</sub>			
		CC61	CCU63	1X01 <sub>B</sub>			
		reserved		1X10 <sub>B</sub>			
		reserved		1X11 <sub>B</sub>			
<b>P9.2</b>		I	General-purpose input	P9_IN.P2	P9_IOCRO2.PC		0XXX <sub>B</sub>
			CC62INA	CCU63			
	O	General-purpose output	P9_OUT.P2	1X00 <sub>B</sub>			
		CC62	CCU63	1X01 <sub>B</sub>			
		reserved		1X10 <sub>B</sub>			
		reserved		1X11 <sub>B</sub>			
	<b>P9.3</b>	I	General-purpose input	P9_IN.P3		P9_IOCRO3.PC	0XXX <sub>B</sub>
		O	General-purpose output	P9_OUT.P3			1X00 <sub>B</sub>
COOUT60			CCU63	1X01 <sub>B</sub>			
BRKOUT			JTAG	1X10 <sub>B</sub>			
reserved				1X11 <sub>B</sub>			

**Table 7-25 Port 9 Input/Output Functions (cont'd)**

Port Pin	I/O	Connected Signal(s)	From / to Module	Register/Bit Field	Select
<b>P9.4</b>	I	General-purpose input	P9_IN.P4	P9_IOC04.PC	0XXX <sub>B</sub>
	O	General-purpose output	P9_OUT.P4		1X00 <sub>B</sub>
		COU61	CCU63		1X01 <sub>B</sub>
		DOUT	U2C0		1X10 <sub>B</sub>
		reserved			1X11 <sub>B</sub>
<b>P9.5</b>	I	General-purpose input	P9_IN.P5	P9_IOC05.PC	0XXX <sub>B</sub>
		DX0E	U2C0		
		CCPOS2B	CCU60		
	O	General-purpose output	P9_OUT.P5		1X00 <sub>B</sub>
		COU62	CCU63		1X01 <sub>B</sub>
		DOUT	U2C0		1X10 <sub>B</sub>
		reserved			1X11 <sub>B</sub>
<b>P9.6</b>	I	General-purpose input	P9_IN.P6	P9_IOC06.PC	0XXX <sub>B</sub>
		CTRAPA	CCU63		
		CCPOS1B	CCU60		
	O	General-purpose output	P9_OUT.P6		1X00 <sub>B</sub>
		COU63	CCU63		1X01 <sub>B</sub>
		COU62	CCU63		1X10 <sub>B</sub>
		reserved			1X11 <sub>B</sub>
<b>P9.7</b>	I	General-purpose input	P9_IN.P7	P9_IOC07.PC	0XXX <sub>B</sub>
		ECTT2	CAN0 TTCAN		
		CTRAPB	CCU63		
		DX1D	U2C0		
		CCPOS0B	CCU60		
	O	General-purpose output	P9_OUT.P7		1X00 <sub>B</sub>
		reserved			1X01 <sub>B</sub>
		reserved			1X10 <sub>B</sub>
reserved		1X11 <sub>B</sub>			

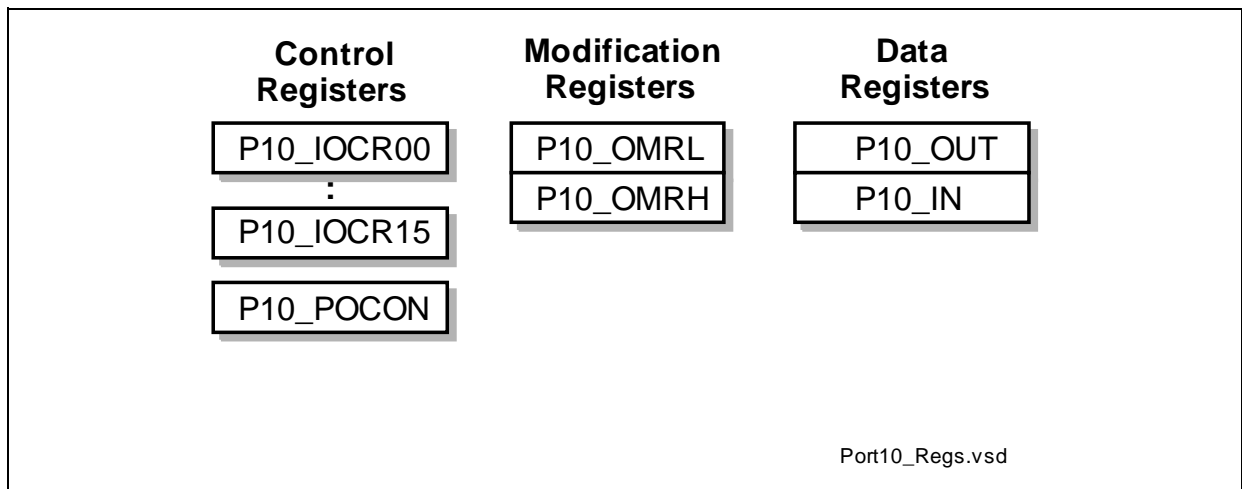
### 7.3.12 Port 10

Port 10 is a 16-bit GPIO port.

#### 7.3.12.1 Overview

The port registers of Port 10 are shown in [Figure 7-14](#).

For this port, all pins can be read as GPIO, from the Port Input Register.



**Figure 7-14 Port 10 Register Overview**

**Table 7-26 Port 10 Registers**

Register Short Name	Register Long Name	Address Offset	Reset Value
P10_OUT	Port 10 Output Register	FFB6 <sub>H</sub>	0000 <sub>H</sub>
P10_IN	Port 10 Input Register	FF94 <sub>H</sub>	0000 <sub>H</sub>
P10_OMRL	Port 10 Output Modification Register Low	E9E8 <sub>H</sub>	0000 <sub>H</sub>
P10_OMRH	Port 10 Output Modification Register High	E9EA <sub>H</sub>	0000 <sub>H</sub>
P10_POCON	Port 10 Output Control Register	E8B4 <sub>H</sub>	0000 <sub>H</sub>
P10_IOCRR0	Port 10 Input/Output Control Register 0	E940 <sub>H</sub>	0000 <sub>H</sub>
P10_IOCRR1	Port 10 Input/Output Control Register 1	E942 <sub>H</sub>	0000 <sub>H</sub>
P10_IOCRR2	Port 10 Input/Output Control Register 2	E944 <sub>H</sub>	0000 <sub>H</sub>
P10_IOCRR3	Port 10 Input/Output Control Register 3	E946 <sub>H</sub>	0000 <sub>H</sub>
P10_IOCRR4	Port 10 Input/Output Control Register 4	E948 <sub>H</sub>	0000 <sub>H</sub>
P10_IOCRR5	Port 10 Input/Output Control Register 5	E94A <sub>H</sub>	0000 <sub>H</sub>
P10_IOCRR6	Port 10 Input/Output Control Register 6	E94C <sub>H</sub>	0000 <sub>H</sub>

**Table 7-26 Port 10 Registers (cont'd)**

Register Short Name	Register Long Name	Address Offset	Reset Value
P10_IOCR07	Port 10 Input/Output Control Register 7	E94E <sub>H</sub>	0000 <sub>H</sub>
P10_IOCR08	Port 10 Input/Output Control Register 8	E950 <sub>H</sub>	0000 <sub>H</sub>
P10_IOCR09	Port 10 Input/Output Control Register 9	E952 <sub>H</sub>	0000 <sub>H</sub>
P10_IOCR10	Port 10 Input/Output Control Register 10	E954 <sub>H</sub>	0000 <sub>H</sub>
P10_IOCR11	Port 10 Input/Output Control Register 11	E956 <sub>H</sub>	0000 <sub>H</sub>
P10_IOCR12	Port 10 Input/Output Control Register 12	E958 <sub>H</sub>	0000 <sub>H</sub>
P10_IOCR13	Port 10 Input/Output Control Register 13	E95A <sub>H</sub>	0000 <sub>H</sub>
P10_IOCR14	Port 10 Input/Output Control Register 14	E95C <sub>H</sub>	0000 <sub>H</sub>
P10_IOCR15	Port 10 Input/Output Control Register 15	E95E <sub>H</sub>	0000 <sub>H</sub>

### 7.3.12.2 Port 10 Functions

The following table describes the mapping between the pins of Port 10 and the related I/O signals.

**Table 7-27 Port 10 Input/Output Functions**

Port Pin	I/O	Connected Signal(s)	From / to Module	Register/Bit Field	Select
<b>P10.0</b>	I	General-purpose input	P10_IN.P0	P10_IOCR00.PC	0XXX <sub>B</sub>
		D0	EBC		
		CC60INA	CCU60		
		DX0A	U0C0		
		DX0A	U0C1		
	O	General-purpose output	P10_OUT.P0		1X00 <sub>B</sub>
		DOUT	U0C1		1X01 <sub>B</sub>
		CC60	CCU60		1X10 <sub>B</sub>
		reserved			1X11 <sub>B</sub>
	DIR1	AD0	EBC; EN1		

Preliminary

Parallel Ports

**Table 7-27 Port 10 Input/Output Functions (cont'd)**

Port Pin	I/O	Connected Signal(s)	From / to Module	Register/Bit Field	Select
<b>P10.1</b>	I	General-purpose input	P10_IN.P1	P10_IOCRO1.PC	0XXX <sub>B</sub>
		D1	EBC		
		CC61INA	CCU60		
		DX0B	U0C0		
		DX1A	U0C0		
	O	General-purpose output	P10_OUT.P1		1X00 <sub>B</sub>
		DOUT	U0C0		1X01 <sub>B</sub>
		CC61	CCU60		1X10 <sub>B</sub>
		reserved			1X11 <sub>B</sub>
	DIR1	AD1	EBC; EN1		HW_Out
<b>P10.2</b>	I	General-purpose input	P10_IN.P2	P10_IOCRO2.PC	0XXX <sub>B</sub>
		D2	EBC		
		CC62INA	CCU60		
		DX1B	U0C0		
	O	General-purpose output	P10_OUT.P2		1X00 <sub>B</sub>
		SCLKOUT	U0C0		1X01 <sub>B</sub>
		CC62	CCU60		1X10 <sub>B</sub>
		reserved			1X11 <sub>B</sub>
	DIR1	AD2	EBC; EN1		HW_Out
	<b>P10.3</b>	I	General-purpose input		P10_IN.P3
D3			EBC		
DX2A			U0C0		
DX2A			U0C1		
O		General-purpose output	P10_OUT.P3	1X00 <sub>B</sub>	
		reserved		1X01 <sub>B</sub>	
		COU60	CCU60	1X10 <sub>B</sub>	
		reserved		1X11 <sub>B</sub>	
DIR1		AD3	EBC; EN1	HW_Out	

**Table 7-27 Port 10 Input/Output Functions (cont'd)**

Port Pin	I/O	Connected Signal(s)	From / to Module	Register/Bit Field	Select
<b>P10.4</b>	I	General-purpose input	P10_IN.P4	P10_IOCR04.PC	0XXX <sub>B</sub>
		D4	EBC		
		DX2B	U0C0		
		DX2B	U0C1		
	O	General-purpose output	P10_OUT.P4		1X00 <sub>B</sub>
		SELO3	U0C0		1X01 <sub>B</sub>
		COU61	CCU60		1X10 <sub>B</sub>
		reserved			1X11 <sub>B</sub>
	DIR1	AD4	EBC; EN1		HW_Out
<b>P10.5</b>	I	General-purpose input	P10_IN.P5	P10_IOCR05.PC	0XXX <sub>B</sub>
		D5	EBC		
		DX1B	U0C1		
	O	General-purpose output	P10_OUT.P5		1X00 <sub>B</sub>
		SCLKOUT	U0C1		1X01 <sub>B</sub>
		COU62	CCU60		1X10 <sub>B</sub>
		reserved			1X11 <sub>B</sub>
	DIR1	AD5	EBC; EN1		HW_Out
	<b>P10.6</b>	I	General-purpose input		P10_IN.P6
D6			EBC		
DX0C			U0C0		
DX2D			U1C0		
CTRAPA			CCU60		
O		General-purpose output	P10_OUT.P6	1X00 <sub>B</sub>	
		DOUT	U0C0	1X01 <sub>B</sub>	
		TXDC4	CAN4	1X10 <sub>B</sub>	
		SELO0	U1C0	1X11 <sub>B</sub>	
DIR1		AD6	EBC; EN1	HW_Out	



Preliminary

Parallel Ports

**Table 7-27 Port 10 Input/Output Functions (cont'd)**

Port Pin	I/O	Connected Signal(s)	From / to Module	Register/Bit Field	Select
<b>P10.7</b>	I	General-purpose input	P10_IN.P7	P10_IOC07.PC	0XXX <sub>B</sub>
		D7	EBC		
		DX0B	U0C1		
		CCPOS0A	CCU60		
		RXDC4C	CAN4		
	O	General-purpose output	P10_OUT.P7		1X00 <sub>B</sub>
		DOUT	U0C1		1X01 <sub>B</sub>
		COU63	CCU60		1X10 <sub>B</sub>
		reserved			1X11 <sub>B</sub>
	DIR1	AD7	EBC; EN1		HW_Out
<b>P10.8</b>	I	General-purpose input	P10_IN.P8	P10_IOC08.PC	0XXX <sub>B</sub>
		D8	EBC		
		CCPOS1A	CCU60		
		DX1C	U0C0		
		BRKIN <sub>B</sub>	JTAG		
	O	General-purpose output	P10_OUT.P8		1X00 <sub>B</sub>
		MCLKOUT	U0C0		1X01 <sub>B</sub>
		SELO0	U0C1		1X10 <sub>B</sub>
		reserved			1X11 <sub>B</sub>
	DIR2	AD8	EBC; EN2		HW_Out
<b>P10.9</b>	I	General-purpose input	P10_IN.P9	P10_IOC09.PC	0XXX <sub>B</sub>
		D9	EBC		
		CCPOS2A	CCU60		
		TCK <sub>B</sub>	JTAG		
	O	General-purpose output	P10_OUT.P9		1X00 <sub>B</sub>
		SELO4	U0C0		1X01 <sub>B</sub>
		MCLKOUT	U0C1		1X10 <sub>B</sub>
		reserved			1X11 <sub>B</sub>
	DIR2	AD9	EBC; EN2		HW_Out

**Table 7-27 Port 10 Input/Output Functions (cont'd)**

Port Pin	I/O	Connected Signal(s)	From / to Module	Register/Bit Field	Select
<b>P10.10</b>	I	General-purpose input	P10_IN.P10	P10_IOC10.PC	0XXX <sub>B</sub>
		D10	EBC		
		DX2C	U0C0		
		TDI_B	JTAG		
		DX1A	U0C1		
	O	General-purpose output	P10_OUT.P10		1X00 <sub>B</sub>
		SELO0	U0C0		1X01 <sub>B</sub>
		COU63	CCU60		1X10 <sub>B</sub>
		reserved			1X11 <sub>B</sub>
	DIR2	AD10	EBC; EN2		HW_Out
<b>P10.11</b>	I	General-purpose input	P10_IN.P11	P10_IOC11.PC	0XXX <sub>B</sub>
		D11	EBC		
		DX1D	U1C0		
		RXDC2B	CAN2		
		TMS_B	JTAG		
	O	General-purpose output	P10_OUT.P11		1X00 <sub>B</sub>
		SCLKOUT	U1C0		1X01 <sub>B</sub>
		BRKOUT	JTAG		1X10 <sub>B</sub>
		reserved			1X11 <sub>B</sub>
	DIR2	AD11	EBC; EN2		HW_Out
<b>P10.12</b>	I	General-purpose input	P10_IN.P12	P10_IOC12.PC	0XXX <sub>B</sub>
		D12	EBC		
		DX0C	U1C0		
		DX1E	U1C0		
	O	General-purpose output	P10_OUT.P12		1X00 <sub>B</sub>
		DOUT	U1C0		1X01 <sub>B</sub>
		TXDC2	CAN2		1X10 <sub>B</sub>
		TDO	JTAG		1X11 <sub>B</sub>
	DIR2	AD12	EBC; EN2		HW_Out

Preliminary

Parallel Ports

**Table 7-27 Port 10 Input/Output Functions (cont'd)**

Port Pin	I/O	Connected Signal(s)	From / to Module	Register/Bit Field	Select
<b>P10.13</b>	I	General-purpose input	P10_IN.P13	P10_IOCR13.PC	0XXX <sub>B</sub>
		DX0D	U1C0		
	O	General-purpose output	P10_OUT.P13		1X00 <sub>B</sub>
		DOUT	U1C0		1X01 <sub>B</sub>
		TXDC3	CAN3		1X10 <sub>B</sub>
		SELO3	U1C0		1X11 <sub>B</sub>
SDIR	$\overline{WR}$	EBC; SEN	HW_Out		
<b>P10.14</b>	I	General-purpose input	P10_IN.P14	P10_IOCR14.PC	0XXX <sub>B</sub>
		DX0C	U0C1		
		RXDC3C	CAN3		
	O	General-purpose output	P10_OUT.P14		1X00 <sub>B</sub>
		SELO1	U1C0		1X01 <sub>B</sub>
		DOUT	U0C1		1X10 <sub>B</sub>
		reserved			1X11 <sub>B</sub>
	SDIR	$\overline{RD}$	EBC; SEN		HW_Out
<b>P10.15</b>	I	General-purpose input	P10_IN.P15	P10_IOCR15.PC	0XXX <sub>B</sub>
		DX1C	U0C1		
	O	General-purpose output	P10_OUT.P15		1X00 <sub>B</sub>
		SELO2	U1C0		1X01 <sub>B</sub>
		DOUT	U0C1		1X10 <sub>B</sub>
		DOUT	U1C0		1X11 <sub>B</sub>
	SDIR	ALE	EBC; SEN		HW_Out

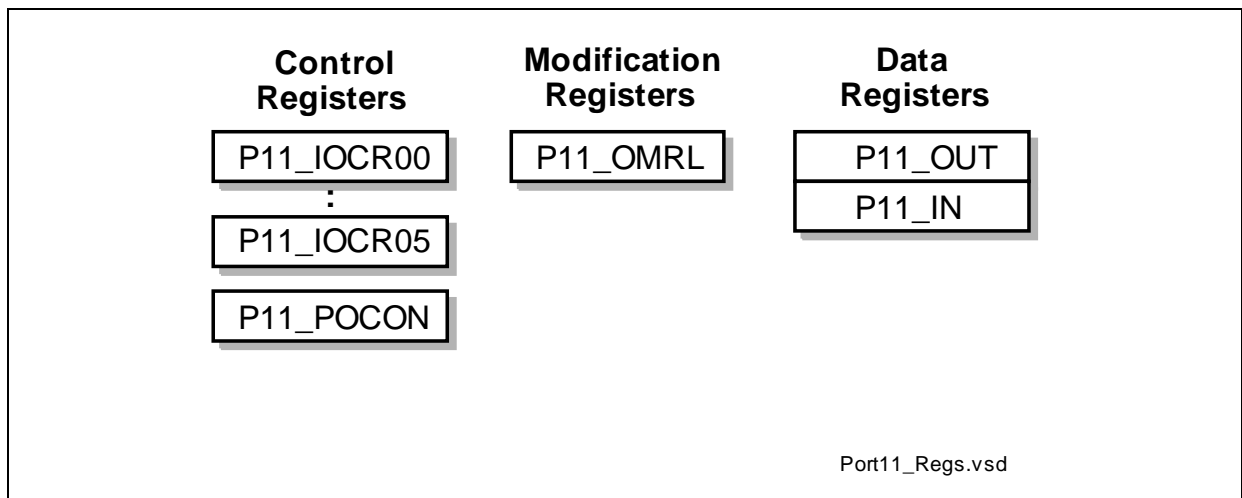
### 7.3.13 Port 11

Port 11 is an 6-bit GPIO port.

#### 7.3.13.1 Overview

The port registers of Port 11 are shown in [Figure 7-15](#).

For this port, all pins can be read as GPIO, from the Port Input Register.



**Figure 7-15 Port 11 Register Overview**

**Table 7-28 Port 11 Registers**

Register Short Name	Register Long Name	Address Offset	Reset Value
P11_OUT	Port 11 Output Register	FFB8 <sub>H</sub>	0000 <sub>H</sub>
P11_IN	Port 11 Input Register	FF96 <sub>H</sub>	0000 <sub>H</sub>
P11_OMRL	Port 11 Output Modification Register Low	E9EC <sub>H</sub>	0000 <sub>H</sub>
P11_POCON	Port 11 Output Control Register	E8B6 <sub>H</sub>	0000 <sub>H</sub>
P11_IOCRR00	Port 11 Input/Output Control Register 0	E960 <sub>H</sub>	0000 <sub>H</sub>
P11_IOCRR01	Port 11 Input/Output Control Register 1	E962 <sub>H</sub>	0000 <sub>H</sub>
P11_IOCRR02	Port 11 Input/Output Control Register 2	E964 <sub>H</sub>	0000 <sub>H</sub>
P11_IOCRR03	Port 11 Input/Output Control Register 3	E966 <sub>H</sub>	0000 <sub>H</sub>
P11_IOCRR04	Port 11 Input/Output Control Register 4	E968 <sub>H</sub>	0000 <sub>H</sub>
P11_IOCRR05	Port 11 Input/Output Control Register 5	E96A <sub>H</sub>	0000 <sub>H</sub>

### 7.3.13.2 Port 11 Functions

The following table describes the mapping between the pins of Port 11 and the related I/O signals.

**Table 7-29 Port 11 Input/Output Functions**

Port Pin	I/O	Connected Signal(s)	From / to Module	Register/Bit Field	Select		
P11.0	I	General-purpose input	P11_IN.P0	P11_IOC00.PC	0XXX <sub>B</sub>		
		CCPOS0A	CCU63				
	O	General-purpose output	P11_OUT.P0		1X00 <sub>B</sub>		
		reserved			1X01 <sub>B</sub>		
		reserved			1X10 <sub>B</sub>		
		reserved			1X11 <sub>B</sub>		
	P11.1	I	General-purpose input		P11_IN.P1	P11_IOC01.PC	0XXX <sub>B</sub>
			CCPOS1A		CCU63		
O		General-purpose output	P11_OUT.P1	1X00 <sub>B</sub>			
		reserved		1X01 <sub>B</sub>			
		reserved		1X10 <sub>B</sub>			
		reserved		1X11 <sub>B</sub>			
P11.2		I	General-purpose input	P11_IN.P2	P11_IOC02.PC		0XXX <sub>B</sub>
			CCPOS2A	CCU63			
	O	General-purpose output	P11_OUT.P2	1X00 <sub>B</sub>			
		reserved		1X01 <sub>B</sub>			
		reserved		1X10 <sub>B</sub>			
		reserved		1X11 <sub>B</sub>			
	P11.3	I	General-purpose input	P11_IN.P3		P11_IOC03.PC	0XXX <sub>B</sub>
		O	General-purpose output	P11_OUT.P3			1X00 <sub>B</sub>
reserved				1X01 <sub>B</sub>			
reserved				1X10 <sub>B</sub>			
reserved				1X11 <sub>B</sub>			

Preliminary

Parallel Ports

**Table 7-29 Port 11 Input/Output Functions (cont'd)**

Port Pin	I/O	Connected Signal(s)	From / to Module	Register/Bit Field	Select
<b>P11.4</b>	I	General-purpose input	P11_IN.P4	P11_IOC04.PC	0XXX <sub>B</sub>
	O	General-purpose output	P11_OUT.P4		1X00 <sub>B</sub>
		reserved			1X01 <sub>B</sub>
		reserved			1X10 <sub>B</sub>
		reserved			1X11 <sub>B</sub>
<b>P11.5</b>	I	General-purpose input	P11_IN.P5	P11_IOC05.PC	0XXX <sub>B</sub>
	O	General-purpose output	P11_OUT.P5		1X00 <sub>B</sub>
		reserved			1X01 <sub>B</sub>
		reserved			1X10 <sub>B</sub>
		reserved			1X11 <sub>B</sub>

### 7.3.14 Port 15

Port 15 is an 8-bit analog or digital input port.

#### 7.3.14.1 Overview

To use the Port 15 as an analog input, the Schmitt trigger in the input stage must be disabled. This is achieved by setting the corresponding bit in the register P15\_DIDIS.

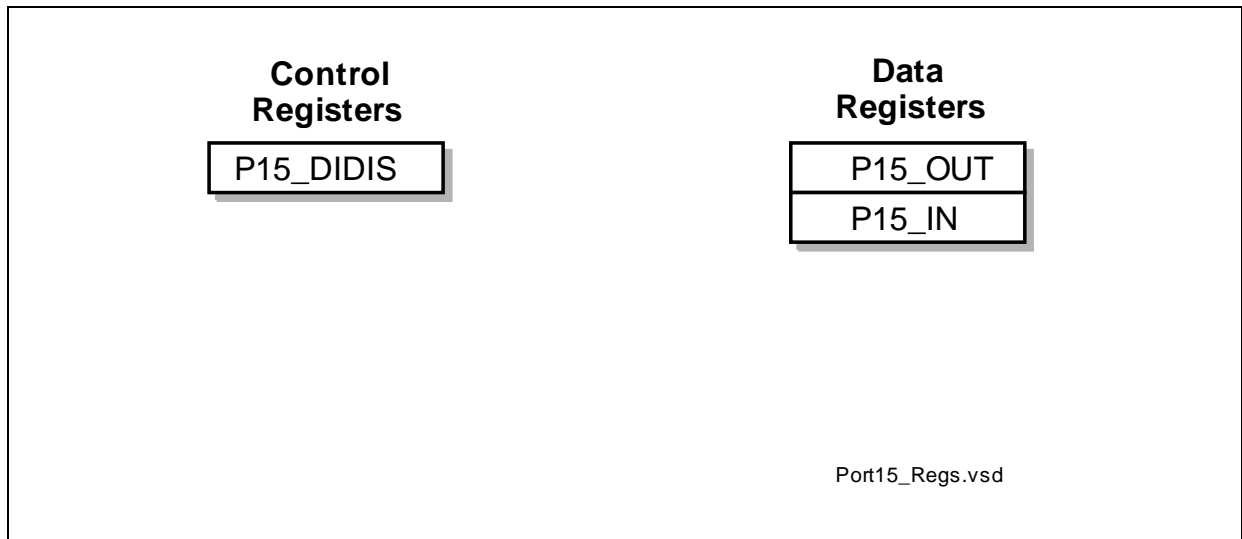


Figure 7-16 Port 15 Register Overview

Table 7-30 Port 15 Registers

Register Short Name	Register Long Name	Address Offset	Reset Value
P15_IN	Port 15 Input Register	FF9E <sub>H</sub>	0000 <sub>H</sub>
P15_DIDIS	Port 15 Digital Input Disable Register	FE9E <sub>H</sub>	0000 <sub>H</sub>

### 7.3.14.2 Port 15 Functions

The following table describes the mapping between the pins of Port 15 and the related I/O signals.

**Table 7-31 Port 15 Input/Output Functions**

Port Pin	I/O	Select	Connected Signal(s)	From / to Module
P15.0	I			
P15.1	I			
P15.2	I		T5IN	GPT12E
P15.3	I		T5EUD	GPT12E
P15.4	I		T6IN	GPT12E
P15.5	I		T6EUD	GPT12E
P15.6	I			
P15.7	I			



## 8 Dedicated Pins

Most of the input/output or control signals of the functional the XC2000 are realized as alternate functions of pins of the parallel ports. There is, however, a number of signals that use separate pins, including the oscillator, special control signals and, of course, the power supply.

**Table 8-1** summarizes the dedicated pins of the XC2000.

**Table 8-1 XC2000 Dedicated Pins**

Pin(s)	Function
$\overline{\text{PORST}}$	Power-On Reset Input
$\overline{\text{ESR0}}$	External Service Request Input 0
$\overline{\text{ESR1}}$	External Service Request Input 1
$\overline{\text{ESR2}}$	External Service Request Input 2
XTAL1, XTAL2	Oscillator Input/Output (main oscillator)
$\overline{\text{TESTM}}$	Test Mode Enable
$\overline{\text{TRST}}$	Test-System Reset Input
TRef	Control Pin for Core Voltage Generation
$V_{\text{AREF}x}, V_{\text{AGND}}$	Power Supply for the Analog/Digital Converter(s)
$V_{\text{DDIM}}$	Digital Core Supply for Domain M (1 pin)
$V_{\text{DDI1}}$	Digital Core Supply for Domain 1 (3 pins)
$V_{\text{DDPA}}$	Digital Pad Supply for Domain A (1 pin)
$V_{\text{DDPB}}$	Digital Pad Supply for Domain B (8 pins)
$V_{\text{SS}}$	Digital Ground (4 pins)

**The Power-On Reset Input  $\overline{\text{PORST}}$**  allows to put the XC2000 into the well defined reset condition either at power-up or external events like a hardware failure or manual reset.

**The External Service Request Inputs  $\overline{\text{ESR0}}$ ,  $\overline{\text{ESR1}}$ , and  $\overline{\text{ESR2}}$**  can be used for several system-related functions:

- trigger interrupt or trap (Class A or Class B) requests via an external signal (e.g. a power-fail signal)
- generate wake-up request signals  $\overline{\text{ESR0}}$
- generate hardware reset requests ( $\overline{\text{ESR0}}$  is bidirectional by default,  $\overline{\text{ESR1}}$  and  $\overline{\text{ESR2}}$  can optionally output a reset signal)
- data/control input for CCU6x, MultiCAN, and USIC ( $\overline{\text{ESR1}}$  or  $\overline{\text{ESR2}}$ )
- software-controlled input/output signal

**The Oscillator Input XTAL1 and Output XTAL2** connect the internal **Main Oscillator** to the external crystal. The oscillator provides an inverter and a feedback element. The standard external oscillator circuitry (see [Section 6.1.2](#)) comprises the crystal, two low end capacitors and series resistor to limit the current through the crystal. The main oscillator is intended for the generation of a high-precision operating clock signal for the XC2000.

An external clock signal may be fed to the input XTAL1, leaving XTAL2 open. The current logic state of input XTAL1 can be read via a status flag, so XTAL1 can be used as digital input if neither the oscillator interface nor the clock input is required.

*Note: Pin XTAL1 belongs to the core power domain DMP\_M. All input signals, therefore, must be within the core voltage range.*

**The Test Mode Input  $\overline{\text{TESTM}}$**  puts the XC2000 into a test mode, which is used during the production tests of the device. In test mode, the XC2000 behaves different from normal operation. Therefore, pin  $\overline{\text{TESTM}}$  must be held HIGH (connect to  $V_{\text{DDPB}}$ ) for normal operation in an application system.

**The Test Reset Input  $\overline{\text{TRST}}$**  puts the XC2000's debug system into reset state. During normal operation this input should be held low. For debugging purposes the on-chip debugging system can be enabled by driving pin  $\overline{\text{TRST}}$  high at the rising edge of  $\overline{\text{PORST}}$ .

**The Control Pin for Core Voltage Generation TRef** selects the generation method for the core supply voltage  $V_{\text{DDI}}$ . Connect TRef to  $V_{\text{DDPB}}$  to use the on-chip EVRs, connect TRef to  $V_{\text{DDI1}}$  for external core voltage supply (on-chip EVRs off).

**The Analog Reference Voltage Supply pins  $V_{\text{AREFX}}$  and  $V_{\text{AGND}}$**  provide separate reference voltage for the on-chip Analog/Digital-Converter(s). This reduces the noise that is coupled to the analog input signals from the digital logic sections and so improves the stability of the conversion results, when  $V_{\text{AREF}}$  and  $V_{\text{AGND}}$  are properly decoupled from  $V_{\text{DD}}$  and  $V_{\text{SS}}$ . Also, because conversion results are generated in relation to the reference voltages, ratiometric conversions are easily achieved.

*Note: Channel 0 of each module can be used as an alternate reference voltage input.*

**The Core Supply pins  $V_{\text{DDIM}}/V_{\text{DDI1}}$**  serve two purposes: While the on-chip EVVRs provide the power for the core logic of the XC2000 these pins connect the EVVRs to their external buffer capacitors. For external supply, the core voltage is applied to these pins. The respective  $V_{\text{DDI}}/V_{\text{SS}}$  pairs should be decoupled as close to the pins as possible. Use ceramic capacitors and observe their values recommended in the respective Data Sheet.

**The Power Supply pins  $V_{\text{DDPA}}/V_{\text{DDPB}}$**  provide the power supply for all the digital logic of the XC2000. Each power domain (DMP\_A and DMP\_B) can be supplied with an arbitrary voltage within the specified supply voltage range (please refer to the corresponding Data Sheets). These pins supply the output drivers as well as the on-chip EVVRs, except for external core voltage supply. The respective  $V_{\text{DDP}}/V_{\text{SS}}$  pairs should be decoupled as close to the pins as possible.

**Preliminary**

**Dedicated Pins**

**The Ground Reference pins**  $V_{SS}$  provide the ground reference voltage for the power supplies as well as the reference voltage for the input signals.

*Note: All  $V_{DDx}$  pins and all  $V_{SS}$  pins must be connected to the power supplies and ground, respectively.*



## 9 The External Bus Controller EBC

All external memory accesses are performed by a particular on-chip External Bus Controller (EBC). It can be programmed either to Single Chip Mode when no external memory is required at all, or dynamically (depending on the selected address range, belonging to a chip-select signal) to one of four different external memory access modes, which are as follows:

- 16/17/18/19 ... 24-bit Addresses, 16-bit Data, Demultiplexed
- 16/17/18/19 ... 24-bit Addresses, 16-bit Data, Multiplexed
- 16/17/18/19 ... 24-bit Addresses, 8-bit Data, Multiplexed
- 16/17/18/19 ... 24-bit Addresses, 8-bit Data, Demultiplexed

*Note: The following description refers to the general EBC feature set. In packages smaller than 144-pin, some features are not available, see [Table 9-1](#).*

In the multiplexed bus modes intra-segment address outputs and data input/outputs are overlaid on 16 port pins. High order address (segment) lines are mapped to separate port pins. In the demultiplexed bus modes, address outputs and data input/outputs are not overlaid but mapped to the port pins separately. For applications which do not use all address lines for external devices, the external address space can be restricted to 8 Mbytes, 4 Mbytes, 2 Mbytes, 1 Mbyte, 512 Kbytes, 256 Kbytes, 128 Kbytes or 64 Kbytes. In this case seven, six, five and so on, or no segment address lines are active. Up to 5 external  $\overline{CS}$  signals can be generated in order to save external glue logic. Access to very slow memories is supported via a particular 'Ready' function. A  $\overline{HOLD}/\overline{HLDA}$  protocol is available for bus arbitration.

The XC2000 External Bus Controller (EBC) allows access to external peripherals/memories and to internal LXBus modules. The LXBus is an internal representation of the ExtBus and it controls accesses to integrated peripherals and modules in the same way as accesses to external components. Because some ExtBus control signals are generally configurable, related additional control signals are necessary for the internal LXBus to support its maybe different configuration.

The function of the EBC is controlled via a set of configuration registers. The basic and general behaviour is programmed via the mode-selection registers EBCMOD0 and EBCMOD1.

Additionally to the supported external bus chip-select channels, one LXBus chip select channel is provided (both types together handled as 'external' chip select channels). With one exception, each of these chip-select signals is programmable via a set of registers. The Function CONTROL register for  $\overline{CSx}$  (FCONCSx) register specifies the external bus/LXBus cycles in terms of address (multiplexed/demultiplexed), data (16-bit/8-bit), READY control, and chip-select enable. The timing of the bus access is controlled by the Timing CONFIGuration registers for  $\overline{CSx}$  (TCONCSx), which specify the timing of the bus cycle with the lengths of the different access phases. All these

parameters are used for accesses within a specific address area that is defined via the corresponding ADDRESS SELECT register ADDRSELx.

The five register sets (FCONCSx/TCONCSx/ADDRSELx) define five independent and programmable "address windows", whereas all external accesses outside these windows are controlled via registers FCONCS0 and TCONCS0. Chip Select signals CS0 ... CS4 belong to accesses on external bus, the additional Chip Select CS7 is used for access to the internal MultiCAN and USIC module on LXBus.

The external bus timing is related to the reference CLOCK OUTPUT (CLKOUT). All bus signals are generated in relation to the rising edge of this clock. The external bus protocol is compatible with those of the standard C166 Family. However, the external bus timing is improved in terms of wait-state granularity and signal flexibility.

These improvements are configured via an enhanced register set (see above) in comparison to C166 Family. The C16x registers SYSCON and BUSCONx are no longer used. But because the configuration of the external bus controller is done during the application initialization, only some initialization code has to be adapted for using the new EBC module instead of the C16x external bus controller.

## 9.1 External Bus Signals

The EBC is using the following I/O signals:

**Table 9-1 EBC Bus Signals**

Signal	I/O	Port Pins	Description
Signals available both in the 100-pin and 144-pin package			
<b>ALE</b>	O	P10	Address Latch Enable; active high
<b><math>\overline{\text{RD}}</math></b>	O		Read strobe: activated for every read access (active low)
<b><math>\overline{\text{WR}}</math>, <b><math>\overline{\text{WRL}}</math></b></b>	O		$\overline{\text{WR}}$ Write/Write Low byte strobe (active low) $\overline{\text{WR}}$ -mode: activated for every write access. $\overline{\text{WRL}}$ -mode: activated for low byte write accesses on a 16-bit bus and for every data write access on an 8-bit bus.
<b><math>\overline{\text{BHE}}</math>, <b><math>\overline{\text{WRH}}</math></b></b>	O	P2	Byte High Enable/Write High byte strobe (active low) $\overline{\text{BHE}}$ -mode: activated for every data access to the upper byte of the 16-bit bus (handled as additional address bit) $\overline{\text{WRH}}$ -mode: activated for high byte write accesses on a 16-bit bus.
<b><math>\overline{\text{READY}}</math>/ <b>READY</b></b>	I	P2	READY; used for dynamic wait state insertion; programmable active high or low
<b>AD[12..0]</b> <b>AD[15..13]</b>	I/O	P10 P2	Address/Data bus; in multiplexed mode this bus is used for both address and data, in demultiplexed mode it is data bus only
<b>A[7..0]</b> <b>A[15..8]</b> <b>A[23..16]</b>	O	P0 P1 P2	Address bus
<b>CS[3..0]</b>	O	P4	Chip Select; active low; $\overline{\text{CS7}}$ -used for internal LXBus access to MultiCAN and USICs
Signals available additionally in the 144-pin package			
<b><math>\overline{\text{BREQ}}</math></b>	O	P3	Bus REQuest; active low
<b>HLDA</b>	I/O		HoLD Accepted output (by the master); active low Hold Accepted input (at the slave)
<b><math>\overline{\text{HOLD}}</math></b>	I		HoLD request
<b>CS4</b>	O	P6	Chip Select; active low; $\overline{\text{CS7}}$ -used for internal LXBus access to MultiCAN and USICs

**Table 9-2 Write Configurations (see Chapter 9.3.2)**

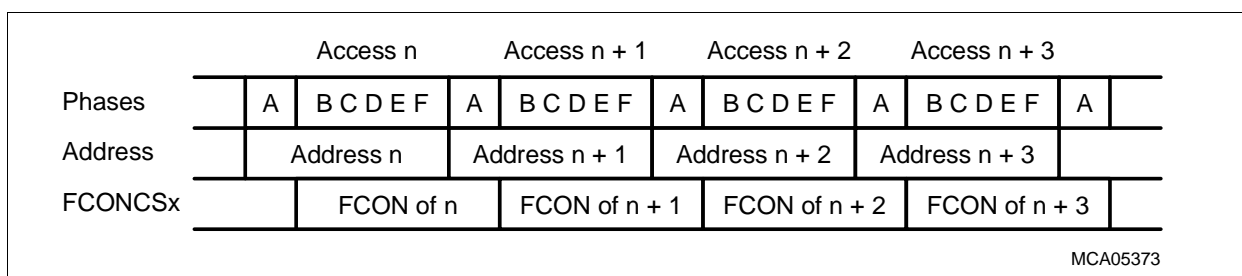
Written Byte		General Write Configuration			Separated Byte Low/High Writes		
Low	High	$\overline{WR}$	$\overline{BHE}$	ADDR[0]	$\overline{WRL}$	$\overline{WRH}$	ADDR[0]
–	–	inactive	don't care	0/1	inactive	inactive	0/1
write	–	active	inactive	0	active	inactive	0/1
–	write	active	active	1	inactive	active	0/1
write	write	active	active	0	active	active	0/1

## 9.2 Timing Principles

The external bus timing is subdivided into six different timing phases (A-F).

### 9.2.1 Basic Bus Cycle Protocols

The phases A-F define all control signals needed for any access sequence to external devices. At the beginning of a phase, the output signals may change within a given output delay time. After the output delay time, the values of the control output signals are stable within this phase. The output delay times are specified in the AC characteristics. Each phase can occupy a programmable number of clock cycles. The number of clock cycles is programmed in the TCONCSx register selected via the related address range and CSx.



**Figure 9-1 Phases of a Sequence of Several Accesses**

Phase A is used for tristating databus drivers from the previous cycle (tristate wait states after  $\overline{CS}$  switch). Phase A cycles are not inserted at every access cycle but only when changing the  $\overline{CS}$ . If an access using one  $\overline{CS}$  ( $\overline{CSx}$ ) was finished and the next access with a different  $\overline{CS}$  ( $\overline{CSy}$ ) is started then Phase A cycle(s) are performed according to the control bits as set in the **first**  $\overline{CS}$  ( $\overline{CSx}$ ).

The A Phase cycles are inserted while the addresses and ALE of the next cycle are already applied.

The following diagrams show the 6 timing phases for read and write accesses on the demultiplexed bus and the multiplexed bus.



### 9.2.1.1 Demultiplexed Bus

During demultiplexed access, the address and data signals exists on the bus in parallel.

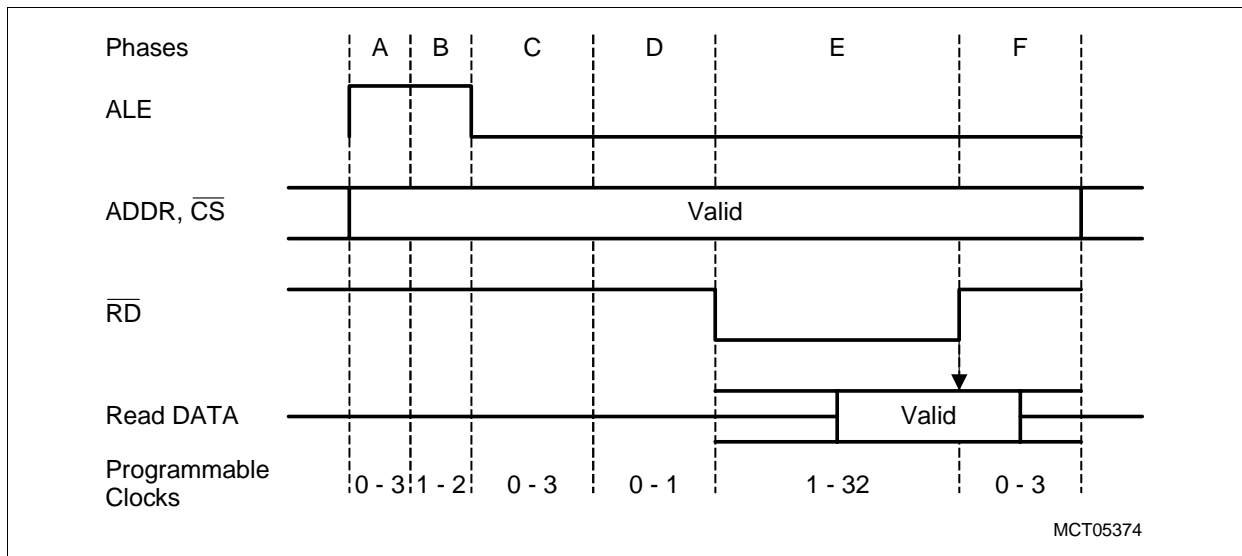


Figure 9-2 Demultiplexed Bus Read

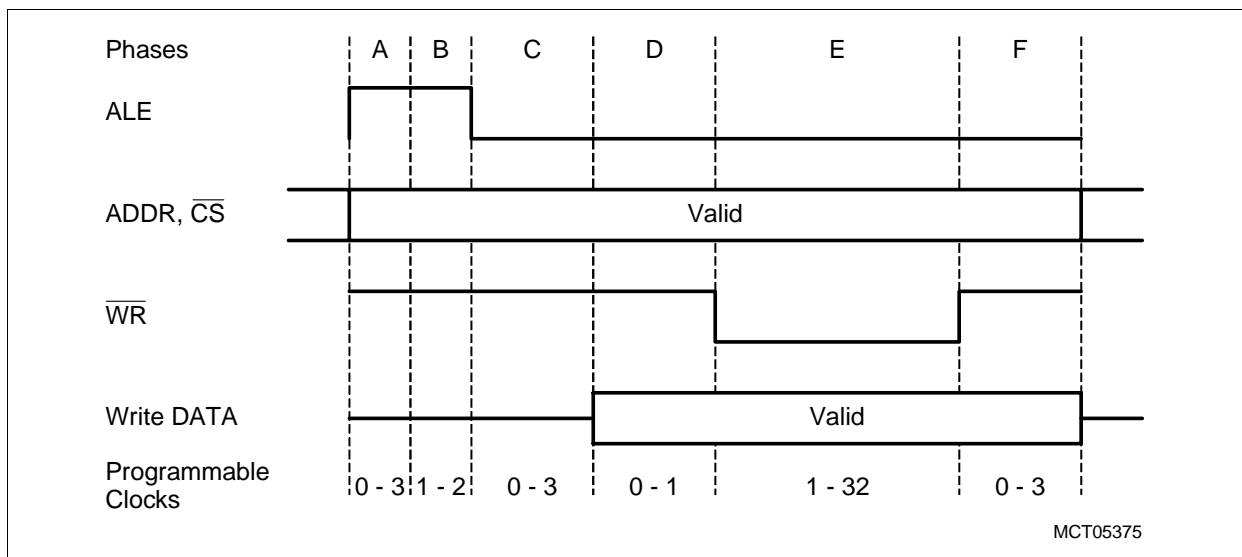


Figure 9-3 Demultiplexed Bus Write

- A phase: Addresses valid, ALE high, no command.  $\overline{CS}$  switch tristate wait states
- B phase: Addresses valid, ALE high, no command. ALE length
- C phase: Addresses valid, ALE low, no command. R/W delay
- D phase: Write data valid, ALE low, no command. Data valid for write cycles
- E phase: Command (read or write) active. Access time
- F phase: Command inactive, address hold. Read data tristate time, write data hold time

### 9.2.1.2 Multiplexed Bus

During time multiplexed access, the address and data signals share the same external lines.

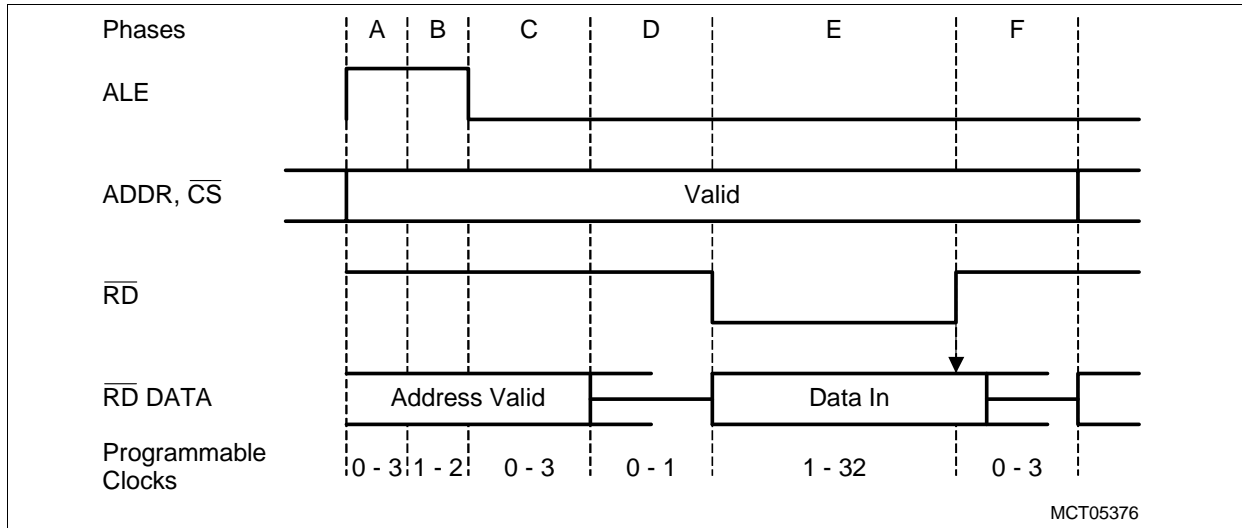


Figure 9-4 Multiplexed Bus Read

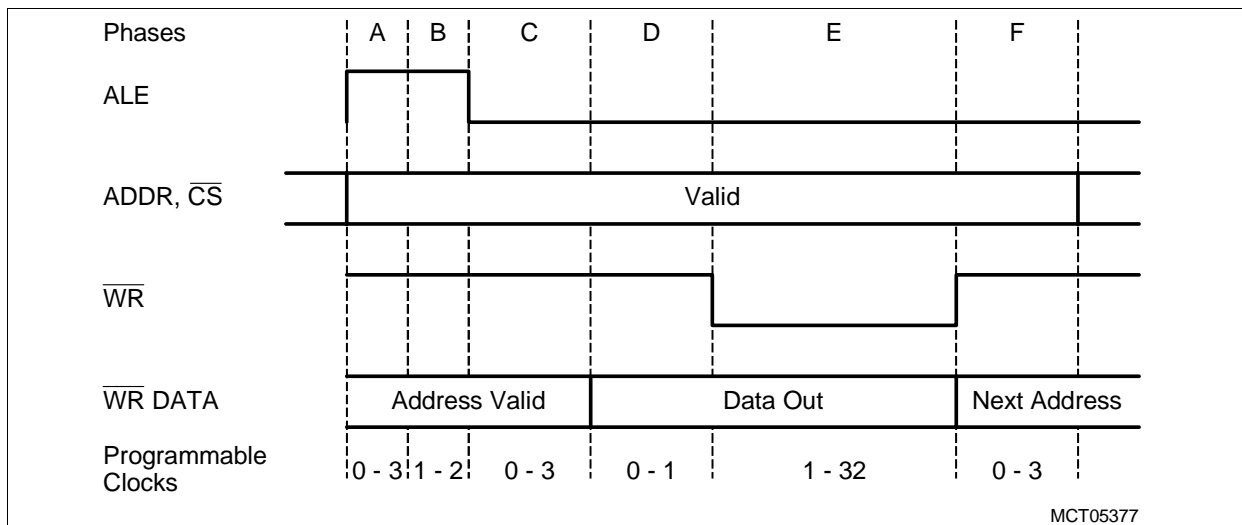


Figure 9-5 Multiplexed Bus Write

- A phase: addresses valid, ALE high, no command.  $\overline{CS}$  switch tristate wait states
- B phase: addresses valid, ALE high, no command. ALE length
- C phase: addresses valid, ALE low, no command. Address hold, R/W delay
- D phase: address tristate for read cycles, data valid for write cycles, ALE low, no command
- E phase: command (read or write) active. Access time
- F phase: command inactive, address hold. Read data tristate time, write data hold time

## 9.2.2 Bus Cycle Phases

This chapter provides a detail description of each phase of an external memory bus access cycle.

### 9.2.2.1 A Phase - $\overline{\text{CS}}$ Change Phase

The A phase can take 0-3 clocks. It is used for tristating databus drivers from the previous cycle (tristate wait states after chip select switch).

A phase cycles are not inserted at every access cycle, but only when changing the  $\overline{\text{CS}}$ . If an access using one  $\overline{\text{CS}}$  ( $\overline{\text{CSx}}$ ) ends and the next access with a different  $\overline{\text{CS}}$  ( $\overline{\text{CSy}}$ ) is started, then A phase cycles are performed according to the bits set in the **first**  $\overline{\text{CS}}$  ( $\overline{\text{CSx}}$ ). This feature is used to optimize wait states with devices having a long turn-off delay at their databus drivers, such as EPROMs and flash memories.

The A phase cycles are inserted while the addresses and ALE of the next cycle are already applied.

If there are some idle cycles between two accesses, these clocks are taken into account and the A phase is shortened accordingly. For example, if there are three tristate cycles programmed and two idle cycles occur, then the A phase takes only one clock.

### 9.2.2.2 B Phase - Address Setup/ALE Phase

The B phase can take 1-2 clocks. It is used for addressing devices before giving a command, and defines the length of time that ALE is active. In multiplexed bus mode, the address is applied for latching.

### 9.2.2.3 C Phase - Delay Phase

The C phase is similar to the A and B phases but ALE is already low. It can take 0-3 clocks. In multiplexed bus mode, the address is held in order to be latched safely. Phase C cycles can be used to delay the command signals (RW delay).

### 9.2.2.4 D Phase - Write Data Setup/MUX Tristate Phase

The D phase can take 0-1 clocks. It is used to tristate the address on the multiplexed bus when a read cycle is performed. For all write cycles, it is used to ensure that the data are valid on the bus before the command is applied.

### 9.2.2.5 E Phase - $\overline{\text{RD}}$ / $\overline{\text{WR}}$ Command Phase

The E phase is the command or access phase, and takes 1-32 clocks. Read data are fetched, write data are put onto the bus, and the command signals are active. Read data are registered with the terminating clock of this phase.

The READY function lengthens this phase, too. READY-controlled access cycles may have an unlimited cycle time.

### **9.2.2.6 F Phase - Address/Write Data Hold Phase**

The F phase is at the end of an access. It can take 0-3 clocks.

Addresses and write data are held while the command is inactive. The number of wait states inserted during the F phase is independently programmable for read and write accesses. The F phase is used to program tristate wait states on the bidirectional data bus in order to avoid bus conflicts.

### 9.2.3 Bus Cycle Examples: Fastest Access Cycles

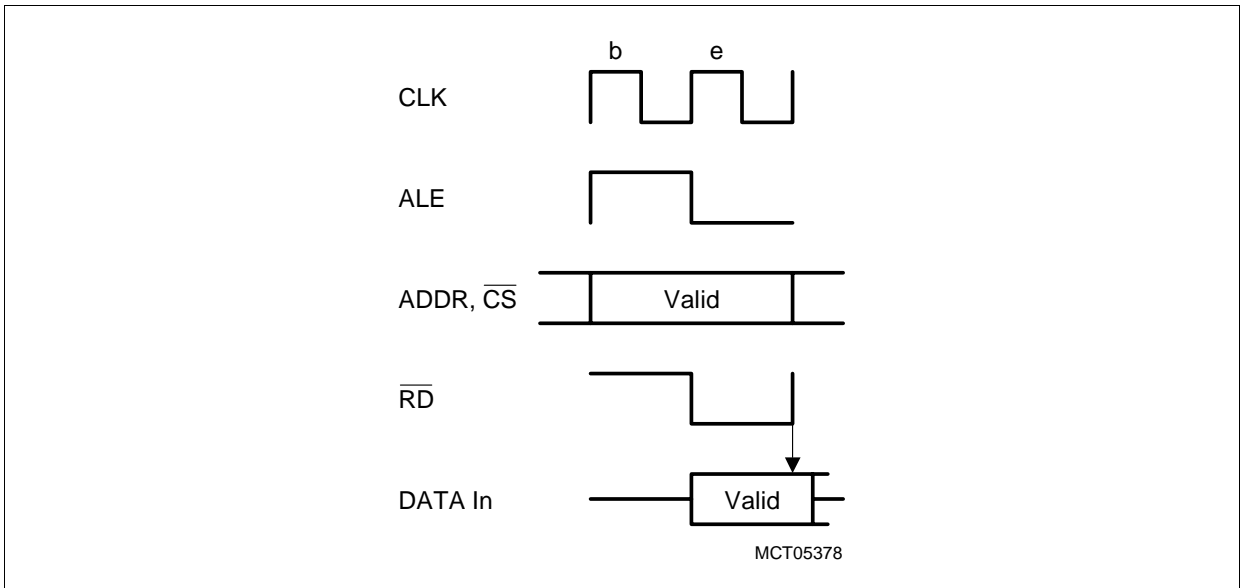


Figure 9-6 Fastest Read Cycle Demultiplexed Bus

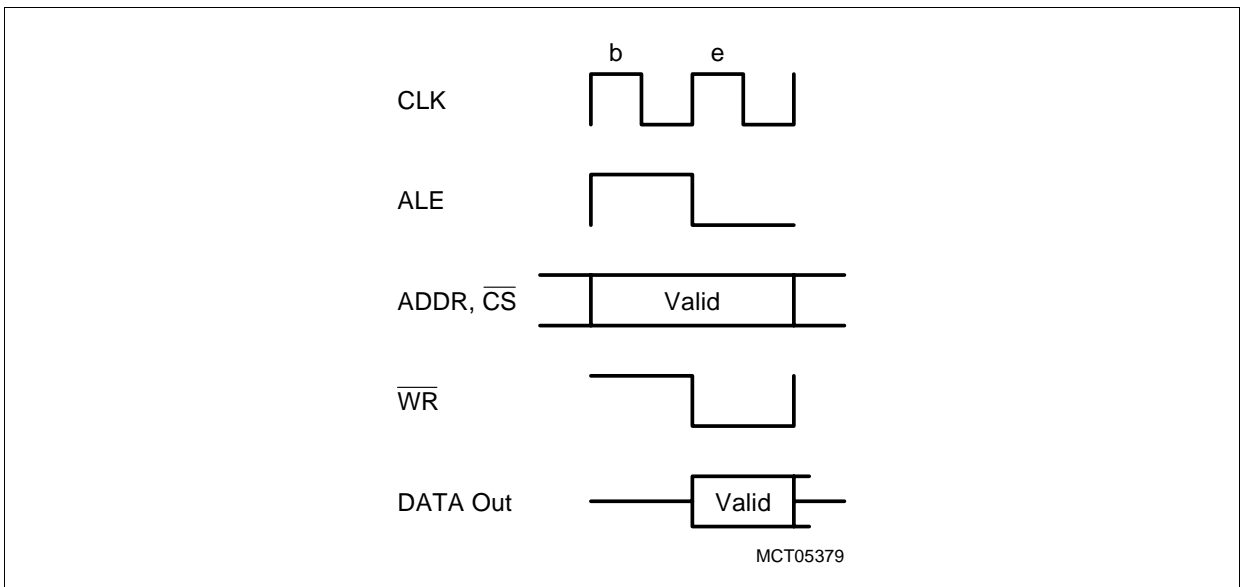


Figure 9-7 Fastest Write Cycle Demultiplexed Bus

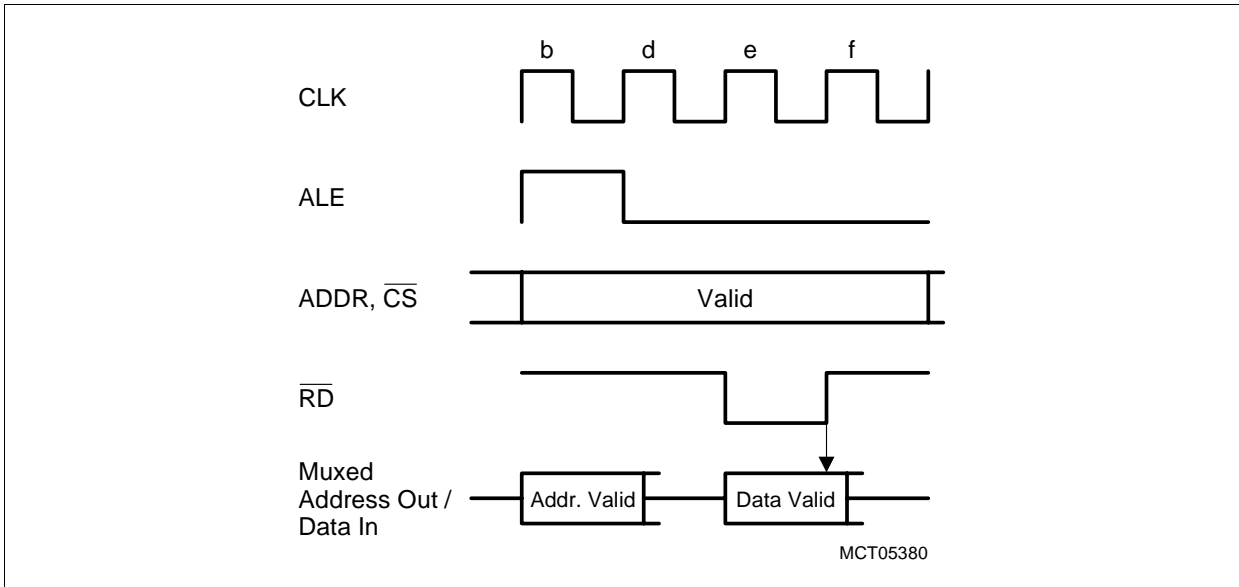


Figure 9-8 Fastest Read Cycle Multiplexed Bus

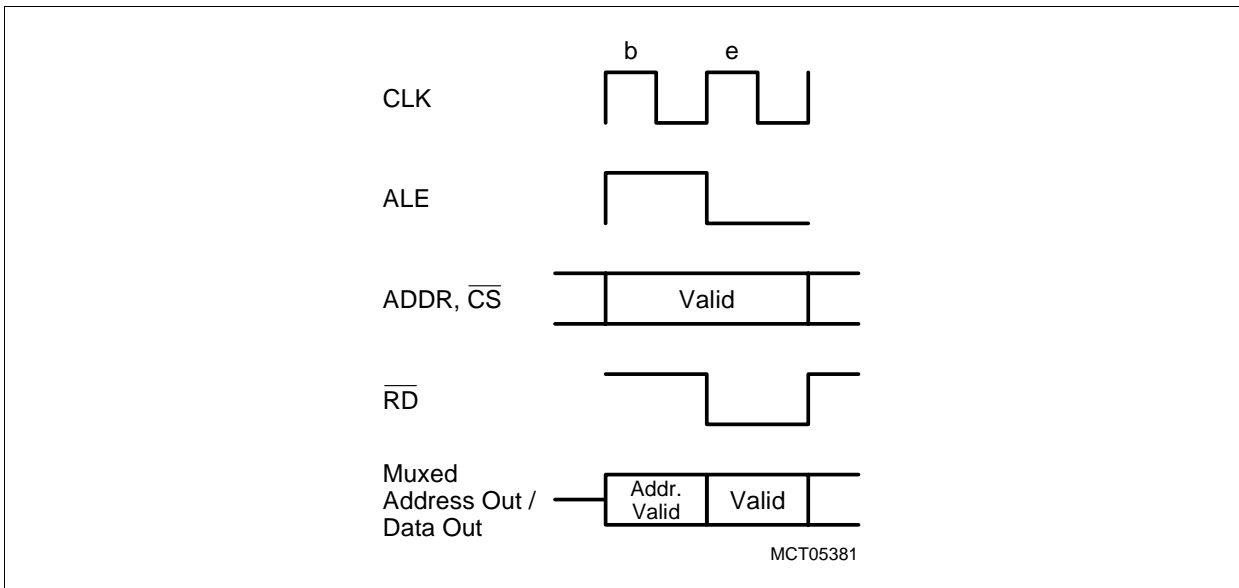


Figure 9-9 Fastest Write Cycle Multiplexed Bus

## 9.3 Functional Description

The following section describes the EBC registers and their settings.

### 9.3.1 Configuration Register Overview

There are 3 groups of EBC registers:

- EBC mode registers influencing the global functions.
- Chip-select-related registers controlling the functionality linked to one  $\overline{CS}$ .
- MultiCAN and USIC related registers are used to control the access to the internal LXBus.

$\overline{CS0}$  is the default chip-select signal that is active whenever no other chip-select or internal address space is addressed. Therefore,  $\overline{CS0}$  has no ADDRSEL register.

*Note: All EBC registers are write-protected by the EINIT protection mechanism. Thus, after execution of the EINIT instruction, these registers are not writable any more.*

**Table 9-3 EBC Configuration Register Overview**

Name	$\overline{CS}^{1)}$	Description	Address 00EExx <sub>H</sub>	Start-up Value
EBCMOD0	all	EBC MODE 0; alternate function of EBC pins	00	5000 <sub>H</sub>
EBCMOD1	all	EBC MODE 1; alternate function of EBC pins	02	003F <sub>H</sub>
TCONCS0	0	Timing CONTROL for $\overline{CS0}$	10	7C3D <sub>H</sub>
FCONCS0	0	Function CONTROL for $\overline{CS0}$	12	0011 <sub>H</sub>
TCONCS1-7 <sup>1)</sup>	1-6 <sup>1)</sup> , 7	Timing CONTROL for $\overline{CS1} \dots \overline{CS7}^{1)}$	18, 20, 28, 30, 38, 40, 48	0000 <sub>H</sub>
FCONCS1-7 <sup>1)</sup>	1-6 <sup>1)</sup> , 7	Function CONTROL for $\overline{CS1} \dots \overline{CS7}^{1)}$	1A, 22, 2A, 32, 3A, 42, 4A	0000 <sub>H</sub> , 0027 <sub>H</sub>
ADDRSEL1-7 <sup>1)</sup>	1-6 <sup>1)</sup> , 7	ADDRESS window SELECTION for $\overline{CS1} \dots \overline{CS7}^{1)}$	1E, 26, 2E, 36, 3E, 46, 4E	0000 <sub>H</sub> , 2003 <sub>H</sub>

1)  $\overline{CS5}$  and  $\overline{CS6}$  register sets are not available (reserved for future LXBus peripherals).

A 128-byte address space is occupied/reserved by the EBC.

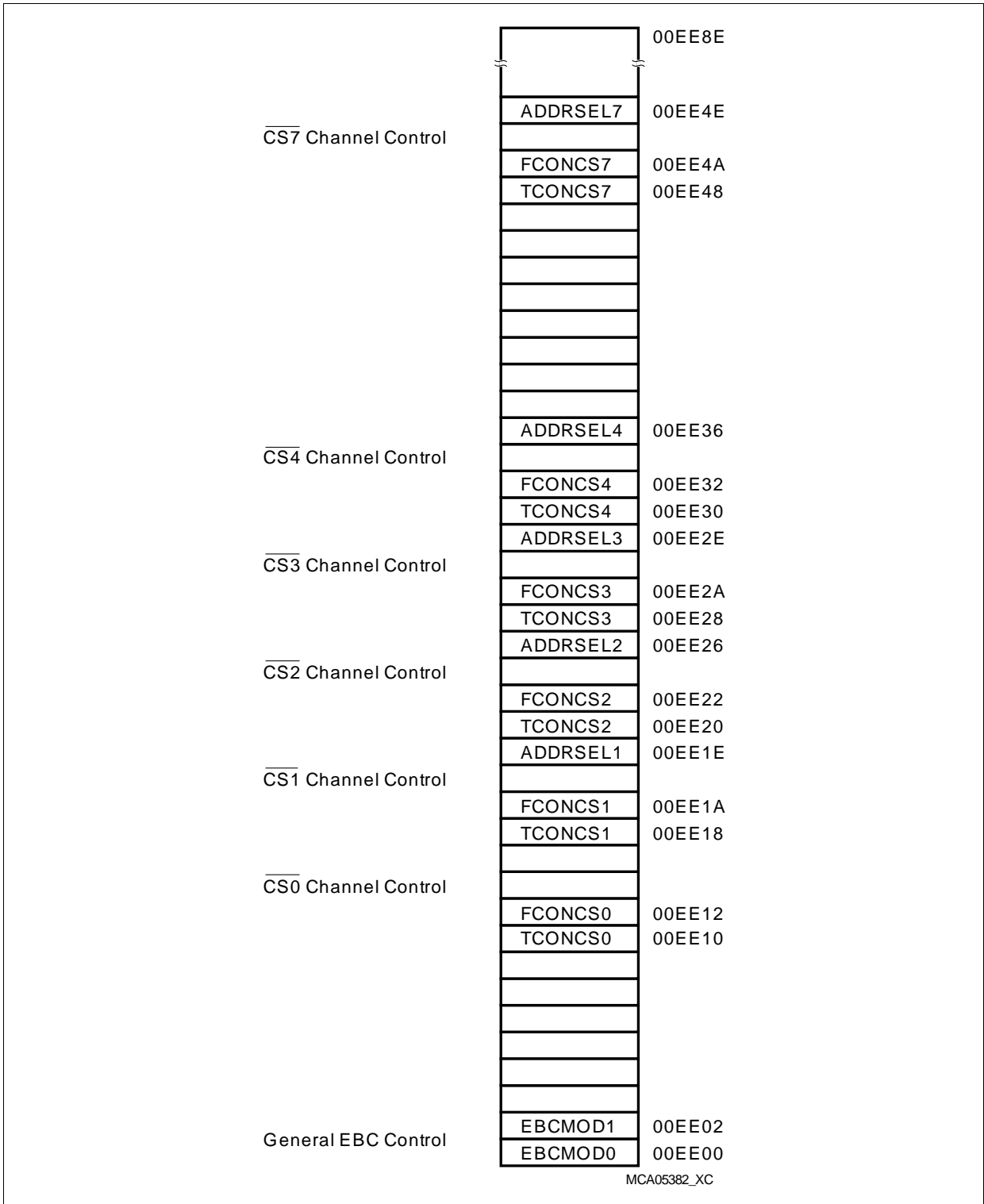


Figure 9-10 Mapping of EBC Registers into the XSFR Space

Note:  $\overline{CS5}$  and  $\overline{CS6}$  register sets are not available (reserved for future LXBus peripherals).



### 9.3.2 The EBC Mode Register 0

#### EBCMODE Register 0

#### EBCMOD0

#### EBC Mode Register 0

XSFR (EE00<sub>H</sub>/--)

Reset Value: 5000<sub>H</sub>

15	14	13	12	11	10	9	8	7	6	5	4	3	2	1	0
RDY POL	RDY DIS	ALE DIS	BYT DIS	WR CFG	EBC DIS	SLA VE	ARB EN	CSPEN			SAPEN				
rw	rw	rw	rw	rw	rw	rw	rw	rw			rw				

Field	Bits	Type	Description
RDYPOL	15	rw	<b>READY Pin Polarity<sup>1)</sup></b> 0 <sub>B</sub> READY is active low 1 READY is active high
RDYDIS	14	rw	<b>READY Pin Disable<sup>1)</sup></b> 0 <sub>B</sub> READY enabled 1 <sub>B</sub> READY disabled
ALEDIS	13	rw	<b>ALE Pin Disable</b> 0 <sub>B</sub> ALE enabled 1 <sub>B</sub> ALE disabled
BYTDIS	12	rw	<b>BHE Pin Disable</b> 0 <sub>B</sub> <u>BHE</u> enabled 1 <sub>B</sub> BHE disabled
WRCFG <sup>2)</sup>	11	rw	<b>Configuration for Pins <u>WR/WRL</u>, <u>BHE/WRH</u></b> 0 <sub>B</sub> <u>WR</u> and <u>BHE</u> 1 <sub>B</sub> <u>WRL</u> and <u>WRH</u>
EBCDIS	10	rw	<b>EBC Pins Disable</b> 0 <sub>B</sub> EBC is using the pins for external bus 1 <sub>B</sub> EBC pins disabled
SLAVE	9	rw	<b>SLAVE Mode Enable</b> 0 <sub>B</sub> Bus arbiter acts in master mode 1 <sub>B</sub> Bus arbiter acts in slave mode
ARBEN	8	rw	<b>BUS Arbitration Pins Enable</b> 0 <sub>B</sub> <u>HOLD</u> , <u>HLDA</u> and <u>BREQ</u> pins are disabled 1 <sub>B</sub> Pins act as <u>HOLD</u> , <u>HLDA</u> , and <u>BREQ</u>

Field	Bits	Type	Description
<b>CSPEN</b>	[7:4]	rw	<b>CSx Pins Enable (only external CSx)</b> 0000 <sub>B</sub> All external Chip Select pins disabled. 0001 <sub>B</sub> $\overline{CS0}$ pin enabled 0010 <sub>B</sub> $\overline{CS1}$ and $\overline{CS0}$ pin enabled ... .. 0101 <sub>B</sub> Five $\overline{CSx}$ pins enabled: $\overline{CS4}$ - $\overline{CS0}$ Else not supported (reserved)
<b>SAPEN</b>	[3:0]	rw	<b>Segment Address Pins Enable</b> 0000 <sub>B</sub> All segment address pins disabled 0001 <sub>B</sub> One: A[16] enabled ... .. 1000 <sub>B</sub> Eight: A[23:16] enabled Else not supported (reserved)

1) Not available in the 100-pin package.

2) A change of the bit content is not valid before the next external bus access cycle.

### Notes

1. Disabled pins are used for general purpose IO or for alternate functions (see port and pin descriptions).
2. Bit field CSPEN controls the number of available  $\overline{CSx}$  pins. The related address windows and bus functions are enabled with the specific ENCSx bits in the FCONCSx registers (see [Page 9-20](#)). There, an additional chip select ( $\overline{CS7}$ ) is defined for internal access to the LXBus peripherals MultiCAN and USIC.
3. The external bus arbitration pins have a separate ARBitration ENable bit (ARBEN) that has to be set in order to use the pins for arbitration and not for General Purpose IO (GPIO). If ARBEN is cleared, the arbitration inputs HLDA and HOLD are fixed internally to an inactive high state. Additionally, the master/slave setting of the arbiter is done with a separate bit (SLAVE).
4. The reset value depends on the selected startup configuration.

### 9.3.3 The EBC Mode Register 1

**EBC MODE** register 1 controls the general use of port pins for external bus.

#### EBCMOD1

#### EBC Mode Register 1

**XSFR (EE02<sub>H</sub>/--)**

**Reset Value: 003F<sub>H</sub>**

15	14	13	12	11	10	9	8	7	6	5	4	3	2	1	0
-	-	-	-	-	-	-	-	<b>WRP DIS</b>	<b>DHP DIS</b>	<b>ALP DIS</b>	<b>A0P DIS</b>	<b>APDIS</b>			
-	-	-	-	-	-	-	-	rw	rw	rw	rw	rw			

Field	Bits	Type	Description
<b>WRPDIS</b>	7	rw	<b>WR/WRL Pin Disable</b> 0 <sub>B</sub> $\overline{\text{WR/WRL}}$ pin enabled 1 <sub>B</sub> $\overline{\text{WR/WRL}}$ pin disabled
<b>DHPDIS</b>	6	rw	<b>Data High Port Pins Disable</b> 0 <sub>B</sub> Address/Data bus pins 15-8 enabled 1 <sub>B</sub> Address/Data bus pins 15-8 disabled
<b>ALPDIS</b>	5	rw	<b>Address Low Pins Disable</b> 0 <sub>B</sub> Address bus pins 7-0 generally enabled (depending on APDIS/A0PDIS) 1 <sub>B</sub> Address bus pins 7-0 disabled
<b>A0PDIS</b>	4	rw	<b>Address Bit 0 Pin Disable</b> 0 <sub>B</sub> Address bus pin 0 enabled 1 <sub>B</sub> Address bus pin 0 disabled
<b>APDIS</b>	[3:0]	rw	<b>Address Port Pins Disable</b> 0000 <sub>B</sub> Address bus pins 15-1 enabled 0001 <sub>B</sub> Pin A15 disabled, A14-A1 enabled 0010 <sub>B</sub> Pins A15-A14 disabled, A13-A1 enabled 0011 <sub>B</sub> Pins A15-A13 disabled, A12-A1 enabled ... .. 1110 <sub>B</sub> Pins A15-A2 disabled, A1 enabled 1111 <sub>B</sub> Address bus pins 15-1 disabled

#### Notes

1. Disabled bus pins may be used for general purpose IO or for alternate functions (see port and pin descriptions).
2. After reset, the address and data bus pins are enabled, but in Idle state.

### 9.3.4 The Timing Configuration Registers TCONCSx

The timing control registers are used to program the described cycle timing for the different access phases. The timing control registers may be reprogrammed during code fetches from the affected address window. The new settings are first valid for the next access.

#### TCONCS0

Timing Cfg. Reg. for  $\overline{CS0}$

XSFR (EE10<sub>H</sub>/--)

Reset Value: 7C3D<sub>H</sub>

15	14	13	12	11	10	9	8	7	6	5	4	3	2	1	0
-	WRPHF	RDPHF	PHE			PHD	PHC	PHB	PHA						
-	rw	rw	rw			rw	rw	rw	rw						

Field	Bits	Type	Description
<b>WRPHF</b>	[14:13]	rw	<b>Write Phase F</b> 00 <sub>B</sub> 0 clock cycles ... .. 11 <sub>B</sub> 3 clock cycles (default)
<b>RDPHF</b>	[12:11]	rw	<b>Read Phase F</b> 00 <sub>B</sub> 0 clock cycles (default) ... .. 11 <sub>B</sub> 3 clock cycles
<b>PHE</b>	[10:6]	rw	<b>Phase E</b> 00000 <sub>B</sub> 1 clock cycle ... .. (default: 9 clock cycles) 11111 <sub>B</sub> 32 clock cycles
<b>PHD</b>	5	rw	<b>Phase D</b> 0 <sub>B</sub> 0 clock cycles (default) 1 <sub>B</sub> 1 clock cycle
<b>PHC</b>	[4:3]	rw	<b>Phase C</b> 00 <sub>B</sub> 0 clock cycles (default) ... .. 11 <sub>B</sub> 3 clock cycles
<b>PHB</b>	2	rw	<b>Phase B</b> 0 <sub>B</sub> 1 clock cycle (default) 1 <sub>B</sub> 2 clock cycles

Field	Bits	Type	Description
<b>PHA</b>	[1:0]	rw	<b>Phase A</b> 00 <sub>B</sub> 0 clock cycles ... .. 11 <sub>B</sub> 3 clock cycles (default)

**TCONCSx (x = 1-4)**

Timing Cfg. Reg. for  $\overline{CSx}$       **XSFR (EE10<sub>H</sub> + x\*8/--)**      **Reset Value: 0000<sub>H</sub>**

**TCONCS7**

Timing Cfg. Reg. for  $\overline{CS7}$       **XSFR (EE48<sub>H</sub>/--)**      **Reset Value: 0000<sub>H</sub>**

15	14	13	12	11	10	9	8	7	6	5	4	3	2	1	0
-	<b>WRPHF</b>	<b>RDPHF</b>					<b>PHE</b>			<b>PHD</b>	<b>PHC</b>	<b>PHB</b>	<b>PHA</b>		
-	rw	rw					rw			rw	rw	rw	rw		

Field	Bits	Type	Description
<b>WRPHF</b>	[14:13]	rw	<b>Write Phase F</b> 00 <sub>B</sub> 0 clock cycles ... .. 11 <sub>B</sub> 3 clock cycles (default)
<b>RDPHF</b>	[12:11]	rw	<b>Read Phase F</b> 00 <sub>B</sub> 0 clock cycles (default) ... .. 11 <sub>B</sub> 3 clock cycles
<b>PHE</b>	[10:6]	rw	<b>Phase E</b> 00000 <sub>B</sub> 1 clock cycle ... .. (default: 9 clock cycles) 11111 <sub>B</sub> 32 clock cycles
<b>PHD</b>	5	rw	<b>Phase D</b> 0 <sub>B</sub> 0 clock cycles (default) 1 <sub>B</sub> 1 clock cycle
<b>PHC</b>	[4:3]	rw	<b>Phase C</b> 00 <sub>B</sub> 0 clock cycles (default) ... .. 11 <sub>B</sub> 3 clock cycles
<b>PHB</b>	2	rw	<b>Phase B</b> 0 <sub>B</sub> 1 clock cycle (default) 1 <sub>B</sub> 2 clock cycles

<b>Field</b>	<b>Bits</b>	<b>Type</b>	<b>Description</b>
<b>PHA</b>	[1:0]	rw	<b>Phase A</b> 00B 0 clock cycles ... .. 11B 3 clock cycles (default)

*Note:  $x = 7$  belongs to the additional chip select  $\overline{CS7}$  which is used and defined for internal access to the LXBus peripherals MultiCAN and USIC. The register TCONCS4 controls the chip select  $\overline{CS4}$ , that is available only in the 144-pin package.*

### 9.3.5 The Function Configuration Registers FCONCSx

The Function Control registers are used to control the bus and READY functionality for a selected address window. It can be distinguished between 8 and 16-bit bus and multiplexed and demultiplexed accesses. Furthermore it can be defined whether the address window (and its chip select signal  $\overline{CSx}$ ) is generally enabled or not.

#### FCONCS0

Function Cfg. Reg. for  $\overline{CS0}$       XSFR (EE12<sub>H</sub>/-- )      Reset Value: 0011<sub>H</sub>

15	14	13	12	11	10	9	8	7	6	5	4	3	2	1	0
-	-	-	-	-	-	-	-	-	-	BTYP		-	RDY MOD	RDY EN	EN CS
-	-	-	-	-	-	-	-	-	-	rw		-	rw	rw	rw

Field	Bits	Type	Description
<b>BTYP</b>	[5:4]	rw	<b>Bus Type Selection</b> 00 <sub>B</sub> 8 bit Demultiplexed 01 <sub>B</sub> 08 bit Multiplexed 10 <sub>B</sub> 16 bit Demultiplexed 11 <sub>B</sub> 16 bit Multiplexed
<b>RDYMOD</b>	2	rw	<b>Ready Mode</b> 0 <sub>B</sub> Asynchronous READY 1 <sub>B</sub> Synchronous READY
<b>RDYEN</b>	1	rw	<b>Ready Enable</b> 0 <sub>B</sub> Access time is controlled by bit field PHEX 1 <sub>B</sub> Access time is controlled by bit field PHEX and READY signal
<b>ENCS<sup>1)</sup></b>	0	rw	<b>Enable Chip Select</b> 0 <sub>B</sub> Disable 1 <sub>B</sub> Enable

1) Disabling a chip select not only effects the chip select output signal, it also deactivates the respective address window of the disabled chip select. A disabled address window is also ignored by an address window arbitration (see [Chapter 9.3.6.3](#)).

Preliminary

The External Bus Controller EBC

**FCONCSx (x = 1-4)**

Function Cfg. Reg. for  $\overline{CSx}$     XSFR (EE12<sub>H</sub> + x\*8/--)    Reset Value: 0000<sub>H</sub>

**FCONCS7**

Function Cfg. Reg. for  $\overline{CS7}$     XSFR (EE4A<sub>H</sub>/--)    Reset Value: 0027<sub>H</sub>

15	14	13	12	11	10	9	8	7	6	5	4	3	2	1	0
-	-	-	-	-	-	-	-	-	-	BTYP		-	RDY MOD	RDY EN	EN CS
-	-	-	-	-	-	-	-	-	-	rw		-	rw	rw	rw

Field	Bits	Type	Description
<b>BTYP</b>	[5:4]	rw	<b>Bus Type Selection</b> 00 <sub>B</sub> 8 bit Demultiplexed 01 <sub>B</sub> 8 bit Multiplexed 10 <sub>B</sub> 16 bit Demultiplexed 11 <sub>B</sub> 16 bit Multiplexed
<b>RDYMOD</b>	2	rw	<b>Ready Mode</b> 0 <sub>B</sub> Asynchronous READY 1 <sub>B</sub> Synchronous READY
<b>RDYEN</b>	1	rw	<b>Ready Enable</b> 0 <sub>B</sub> Access time is controlled by bit field PHE <sub>x</sub> 1 <sub>B</sub> Access time is controlled by bit field PHE <sub>x</sub> and READY signal
<b>ENCS<sup>1)</sup></b>	0	rw	<b>Enable Chip Select</b> 0 <sub>B</sub> Disable 1 <sub>B</sub> Enable

1) Disabling a chip select not only effects the chip select output signal, it also deactivates the respective address window of the disabled chip select. A disabled address window is also ignored by an address window arbitration (see [Chapter 9.3.6.3](#)).

**Notes**

1. *x = 7 belongs to the additional chip select ( $\overline{CS7}$ ) which is used and defined for internal access to the LXBus peripherals MultiCAN and USIC. The register FCONCS4 controls the chip select CS4, that is available only in the 144-pin package.*
2. *The specific ENCSx bits in the FCONCSx registers enable the related address windows and bus functions and the corresponding chip select signal  $\overline{CSx}$ . But it depends on the definition of bit field CSPEN in register EBCMOD0 how many  $\overline{CSx}$  pins are available and used for the external system. If an address window is enabled*



*but no external pin is available for the  $\overline{CSx}$ , the external bus cycle is executed without chip select signal.*

- 3. With ENCS7 the chip select  $\overline{CS7}$  and its related register set is enabled and defined for internal access to the LXBus peripherals MultiCAN and USIC.*

### 9.3.6 The Address Window Selection Registers ADDRSELx

Each chip select signal is associated with an ADDRSEL register.

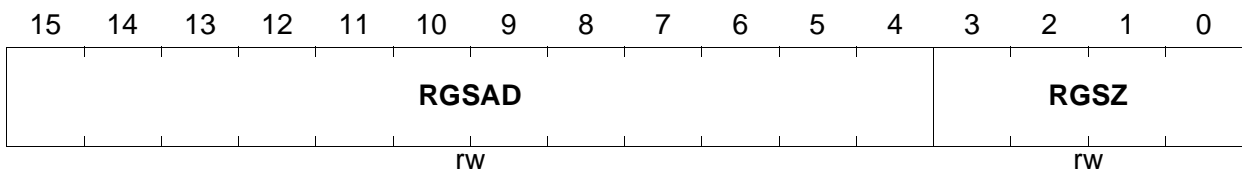
#### 9.3.6.1 Registers ADDRSELx

**ADDRSELx (x = 1-4)**

Address Range/Size for  $\overline{CS}_x$  XSFR (EE16<sub>H</sub> + x\*8/--) Reset Value: 0000<sub>H</sub>

**ADDRSEL7**

Address Range/Size for  $\overline{CS}_7$  XSFR (EE4E<sub>H</sub>/--) Reset Value: 0000<sub>H</sub>



Field	Bits	Type	Description
<b>RGSAD</b>	[15:4]	rw	Address Range Start Address Selection
<b>RGSZ</b>	[3:0]	rw	Address Range Size Selection (see <a href="#">Table 9-4</a> )

*Note: There is no register ADDRSEL0, as register set FCONCS0/TCONCS0 controls all external accesses outside the address windows built by the enabled (by ENCS bit in FCONCSx) address selects ADDRSELx. The register ADDRSEL4 controls the chip select CS4, that is available only in the 144-pin package.*

#### 9.3.6.2 Definition of Address Areas

The enabled register sets FCONCSx/TCONCSx/ADDRSELx (x = 1 ... 4, 7) define separate address areas within the address space of the XC2000. Within each of these address areas the conditions of external accesses and LXBus accesses (x = 7) can be controlled separately, whereby the different address areas (windows) are defined by the ADDRSELx registers. Each ADDRSELx register cuts out an address window, where the corresponding parameters of the registers FCONCSx and TCONCSx are used to control external accesses. The range start address of such a window defines the most significant address bits of the selected window which are consequently not needed to address the memory/module in this window ([Table 9-4](#)). The size of the window chosen by ADDRSELx.RGSZ defines the relevant bits of ADDRSELx.RGSAD (marked with 'R') which are used to select with the most significant bits of the request address the corresponding window. The other bits of the request address are used to address the memory locations inside this window. The lower bits of ADDRSELx.RGSAD (marked 'x') are disregarded.

The address area from 00'8000<sub>H</sub> to 00'FFFF<sub>H</sub> (32 Kbytes) is reserved for CPU internal registers and data RAM, the area from BF'0000<sub>H</sub> to BF'7FFF<sub>H</sub> (32 Kbytes) for internal startup memory and the area from C0'0000<sub>H</sub> to FF'FFFF<sub>H</sub> (4 Mbytes) is used by the internal program memory. Therefore, these address areas cannot be used by external resources connected to the external bus.

**Table 9-4 Address Range and Size for ADDRSELx**

ADDRSELx			Address Window							
Range Size RGSZ	Relevant (R) Bits of RGSAD			Selected Address Range	Range Start Address A[23:0] Selected with R-bits of RGSAD					
3 ... 0	15 ... 4			Size	A23 ... A0					
0000	RRRR	RRRR	RRRR	4 Kbytes	RRRR	RRRR	RRRR	0000	0000	0000
0001	RRRR	RRRR	RRRx	8 Kbytes	RRRR	RRRR	RRR0	0000	0000	0000
0010	RRRR	RRRR	RRxx	16 Kbytes	RRRR	RRRR	RR00	0000	0000	0000
0011	RRRR	RRRR	Rxxx	32 Kbytes	RRRR	RRRR	R000	0000	0000	0000
0100	RRRR	RRRR	xxxx	64 Kbytes	RRRR	RRRR	0000	0000	0000	0000
0101	RRRR	RRRx	xxxx	128 Kbytes	RRRR	RRR0	0000	0000	0000	0000
0110	RRRR	RRxx	xxxx	256 Kbytes	RRRR	RR00	0000	0000	0000	0000
0111	RRRR	Rxxx	xxxx	512 Kbytes	RRRR	R000	0000	0000	0000	0000
1000	RRRR	xxxx	xxxx	1 Mbytes	RRRR	0000	0000	0000	0000	0000
1001	RRRx	xxxx	xxxx	2 Mbytes	RRR0	0000	0000	0000	0000	0000
1010	RRxx	xxxx	xxxx	4 Mbytes	RR00	0000	0000	0000	0000	0000
1011	Rxxx	xxxx	xxxx	8 Mbytes	R000	0000	0000	0000	0000	0000
11xx	xxxx	xxxx	xxxx	reserved <sup>1)</sup>	----	----	----	----	----	----

1) The complete address space of 12 Mbytes can be selected by the default chip select CS<sub>0</sub>.

*Note: The range start address can only be on boundaries specified by the selected range size according to [Table 9-4](#).*

### 9.3.6.3 Address Window Arbitration

For each external access the EBC compares the current address with all address select registers (programmable ADDRSELx and hard wired address select registers for startup memory) of enabled windows. This comparison is done in four levels:

#### Priority 1:

Registers ADDRSELx [ $x = 2, 4$ ] are evaluated first. A window match with one of these registers directs the access to the respective external area using the corresponding set of control registers FCONCSx/TCONCSx and ignoring registers ADDRSELy. An overlapping of windows of this group will lead to an undefined behaviour.

#### Priority 2:

A match with registers ADDRSELy [ $y = 1, 3, 7$ ] directs the access to the respective external area using the corresponding set of control registers FCONCSy/TCONCSy. An overlapping of windows of this group will lead to an undefined behaviour. Overlaps with priority 2 ADDRSELx are only allowed for the (x, y) pairs (2, 1) and (4, 3).

#### Priority 3:

If there is no match with any address select register (neither the hardware ones nor the programmable ADDRSEL) the access to the external bus uses the general set of control registers FCONCS0/TCONCS0 if enabled.

### 9.3.7 Ready Controlled Bus Cycles

In cases, where the response (access) time of a peripheral is not constant, or where the programmable wait states are not enough, the EBC provides external bus cycles that are terminated via a READY input signal.

#### 9.3.7.1 General

In such cases during phase E the EBC first counts a programmable number of clock cycles (1 ... 32) and then starts in the last wait cycle to monitor the internal READY line (see [Figure 9-11](#)) to determine the actual end of the current bus cycle. The external device drives READY active in order to indicate that data has been latched (write cycle) or is available (read cycle).

The READY pin is generally enabled by setting the bit RDYDIS in EBCMOD0 to '0' in order to switch the corresponding port pin. Also the polarity of the READY is defined inside the EBCMOD0 register on the RDYPOL bit.

For a specific address window the READY function is enabled via the RDYEN bit in the FCONCSx register. With FCONCSx.RDYMOD the READY is handled either in synchronous or in asynchronous mode (see also [Figure 9-11](#)).

When the READY function is enabled for a specific address window, each bus cycle within this window must be terminated with an active READY signal. Otherwise the controller hangs until the next reset. This is also the case for an enabled RDYEN but a disabled READY port pin.

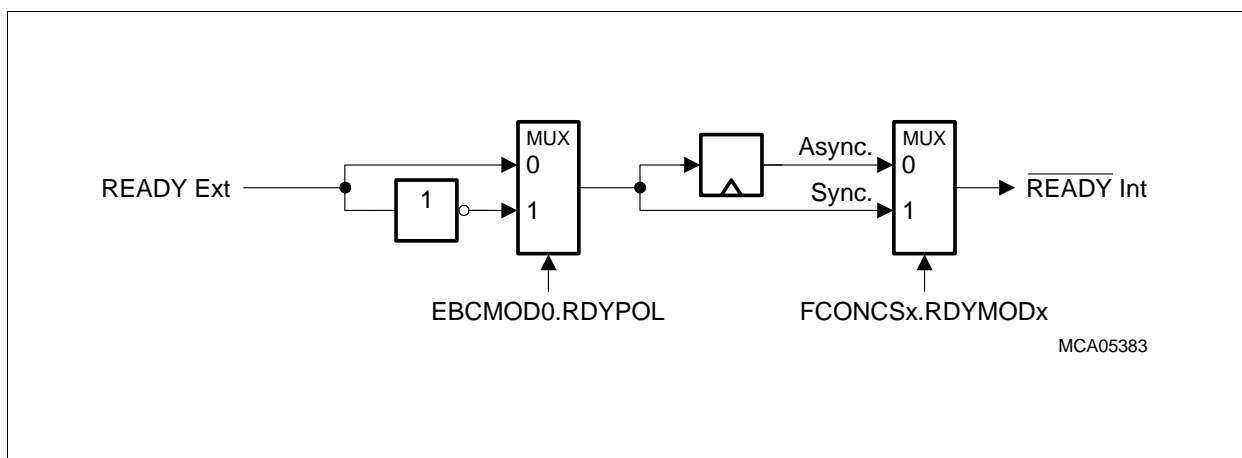


Figure 9-11 External to Internal READY Conversion

### 9.3.7.2 The Synchronous/Asynchronous READY

The **synchronous** READY provides the fastest bus cycles, but requires setup and hold times to be met. The CLKOUT signal should be enabled and may be used by the peripheral logic to control the READY timing in this case.

The **asynchronous** READY is less restrictive, but requires one additional wait state caused by the internal synchronization. As the asynchronous READY is sampled earlier programmed wait states may be necessary to provide proper bus cycles.

A READY signal (especially asynchronous READY) that has been activated by an external device may be deactivated in response to the trailing (rising) edge of the respective command ( $\overline{RD}$  or  $\overline{WR}$ ).

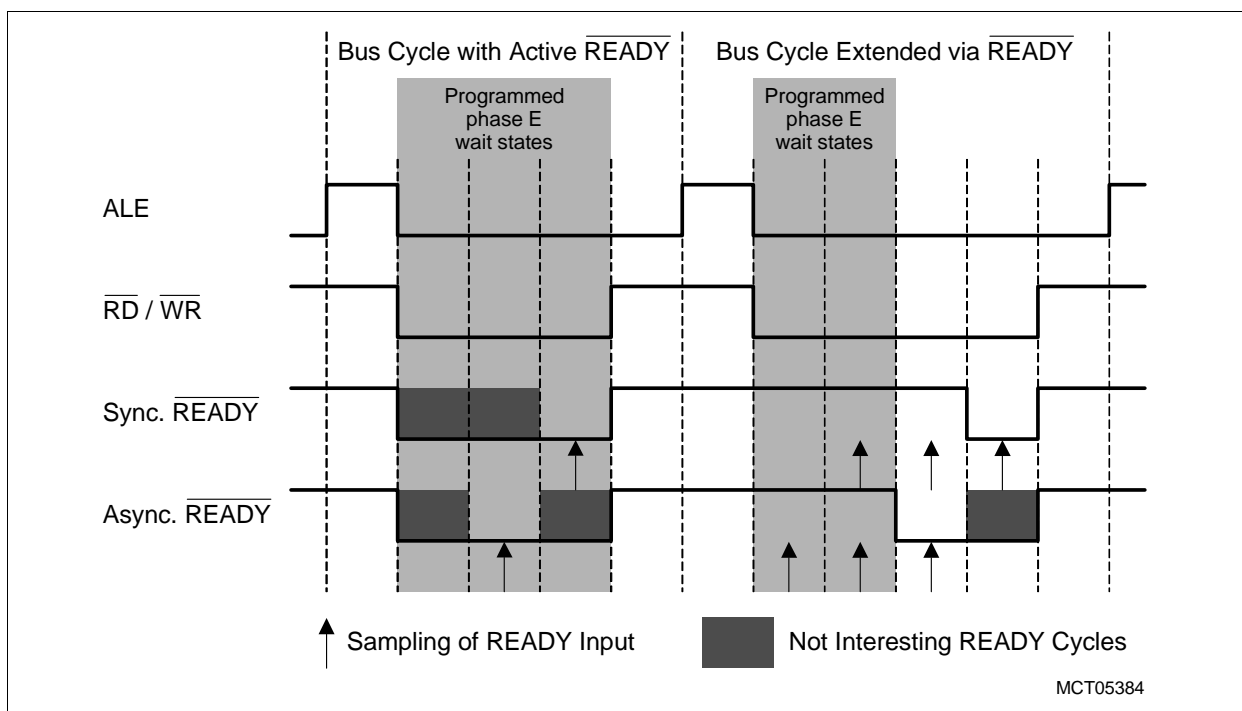


Figure 9-12 READY Controlled Bus Cycles

### 9.3.7.3 Combining the READY Function with Predefined Wait States

Typically an external wait state or READY control logic takes a while to generate the READY signal when a cycle was started. After a predefined number of clock cycles the EBC will start checking its READY line to determine the end of the bus cycle.

When using the READY function with so-called 'normally-ready' peripherals, it may lead to erroneous bus cycles, if the READY line is sampled too early. These peripherals pull their READY output active, while they are idle. When they are accessed, they drive READY inactive until the bus cycle is complete, then drive it active again. If, however, the peripheral drives READY inactive a little late, after the first sample point of the XC2000, the controller samples an active READY and terminates the current bus cycle

too early. By inserting predefined wait states the first READY sample point can be shifted to a time, where the peripheral has safely controlled the READY line.

### 9.3.8 Access Control to LXBus Modules

Access control to LXBus is required for accesses to the MultiCAN and USIC module. In general, accesses to LXBus are not visible on external bus. During LXBus cycles, the external bus is still enabled, but driven to inactive states (control signals) or switched into the read mode (busses).

For accesses to MultiCAN and USICs,  $\overline{CS7}$  and its control registers ADDRSEL7, TCONCS7, and FCONCS7 are used. The selection of LXBus is controlled with  $\overline{CS7}$ . The address range, defined in ADDRSEL7, is located in the 'External IO Range' (range from 20'0000<sub>H</sub> to 3F'FFFF<sub>H</sub>). Only for the External IO Range of the total external address range it is guaranteed, that a read access is executed after a preceding write access.

The value of the bus function control register FCONCS7 is selected according to the requirements of the MultiCAN and USIC: 16-bit demultiplexed bus, access time controlled with synchronous READY. This function control is represented by the default value for FCONCS7 of '0027<sub>H</sub>'.

The LXBus cycle timing as controlled with register TCONCS7 the shortest possible timing using two clock cycles for one bus cycle. But this minimum timing will be lengthened with waitstate(s) controlled by the MultiCAN/USIC itself with the READY function. This timing control is controlled by the reset value of TCONCS7 ('0000<sub>H</sub>').

### 9.3.9 External Bus Arbitration

The XC2000 supports multi master systems on the external bus by its external bus arbitration. This bus arbitration allows an external master to request the external bus. The XC2000 will release the external bus and will float the data and address bus lines and force the control signals via pull-ups/downs to their inactive state.

#### 9.3.9.1 Initialization of Arbitration

During reset all arbitration pins are tristate, except pin  $\overline{\text{BREQ}}$  which is pulled inactive. After reset the XC2000 EBC always starts in 'init mode' where the external bus is available but no arbitration is enabled. All arbitration pins are ignored in this state. Other to the external bus connected XC2000 EBCs assume to have the bus also, so potential bus conflicts are not resolved. For a multi master system the arbitration should be initialized first before starting any bus access. The EBC can either be chosen as arbitration master or as arbitration slave by programming the EBCMOD0 bit SLAVE. The selected mode and the arbitration gets active by the first setting of the HLDEN bit inside the CPUs PSW register. Afterwards a change of the slave/master mode is not possible without resetting the device. Of course for arbitration the dedicated pins have to be activated by setting EBCMOD0.ARBEN.

#### 9.3.9.2 Arbitration Master Scheme

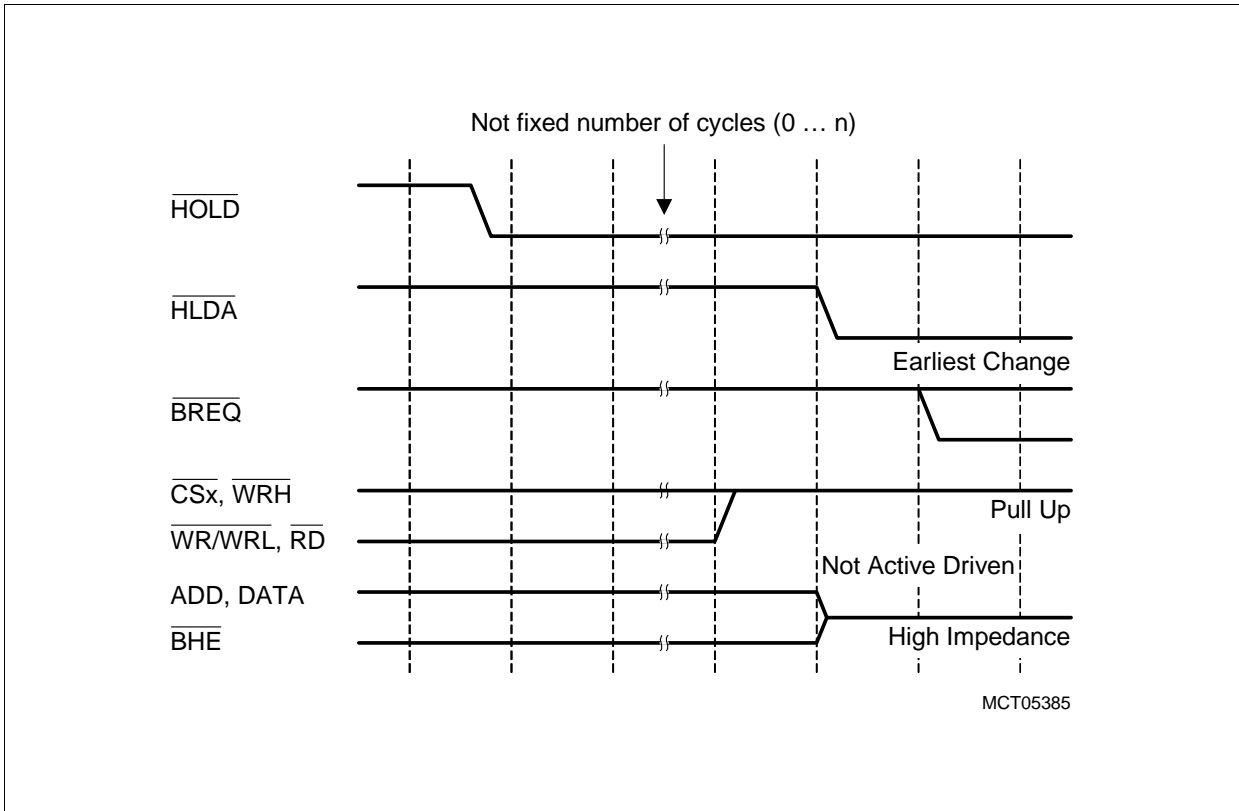
If the XC2000 EBC is configured as arbitration master, it is default owner of the external bus, controls the arbitration protocol and drives the bus also during idle phases with no bus requests. To perform the arbitration handshake a  $\overline{\text{HOLD}}$  input allows the request of the external bus from the arbitration master. When the arbitration master hands over the bus to the requester this is signaled by driving the hold acknowledge pin  $\overline{\text{HLDA}}$  low, which remains at this level until the arbitration slave frees the bus by releasing its request on the  $\overline{\text{HOLD}}$  input. If the arbitration master is not the owner of the bus it treats the external bus interface as follows:

- Address and data bus(es) float to tristate
- Command lines are pulled high by internal pull-up devices ( $\overline{\text{RD}}$ ,  $\overline{\text{WR/WRL}}$ ,  $\overline{\text{BHE/WRH}}$ )
- Address latch control line ALE is pulled low by an internal pull-down device
- $\overline{\text{CSx}}$  outputs are pulled high by internal pull-up devices.

In this state the arbitration slave can take over the bus.

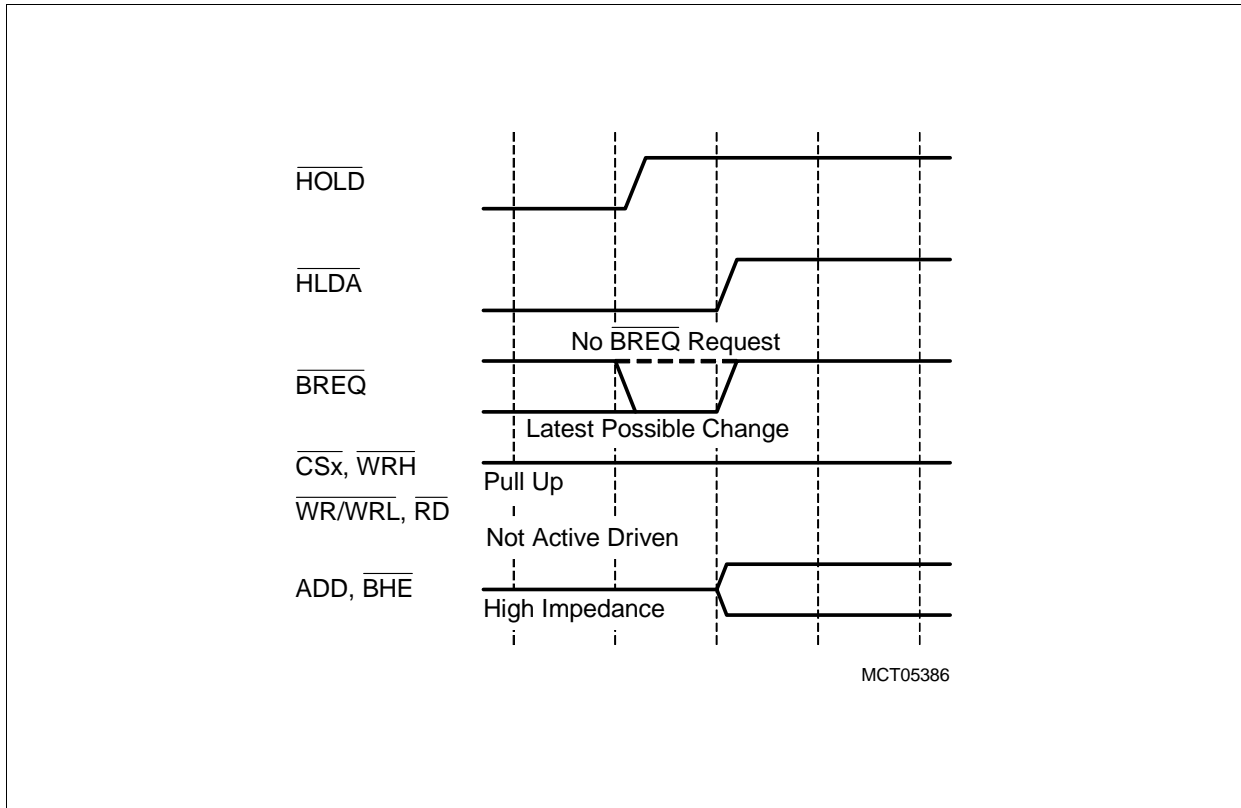
If the arbitration master requires the bus again, it can request the bus via the bus request signal  $\overline{\text{BREQ}}$ . As soon as the arbitration master regains the bus it releases the  $\overline{\text{BREQ}}$  signal and drives  $\overline{\text{HLDA}}$  to high.





**Figure 9-13 Releasing the Bus by the Arbitration Master**

Note: **Figure 9-13** shows the first possibility for  $\overline{\text{BREQ}}$  to get active. The XC2000 will complete the currently running bus cycle before granting the external bus as indicated by the broken lines.



**Figure 9-14 Regaining the Bus by the Arbitration Master**

*Note: The falling  $\overline{BREQ}$  edge shows the last chance for  $\overline{BREQ}$  to trigger the indicated regain-sequence. Even if  $\overline{BREQ}$  is activated earlier the regain-sequence is initiated by  $\overline{HOLD}$  going high. Please note that  $\overline{HOLD}$  may also be deactivated without the XC2000 requesting the bus.*

### 9.3.9.3 Arbitration Slave Scheme

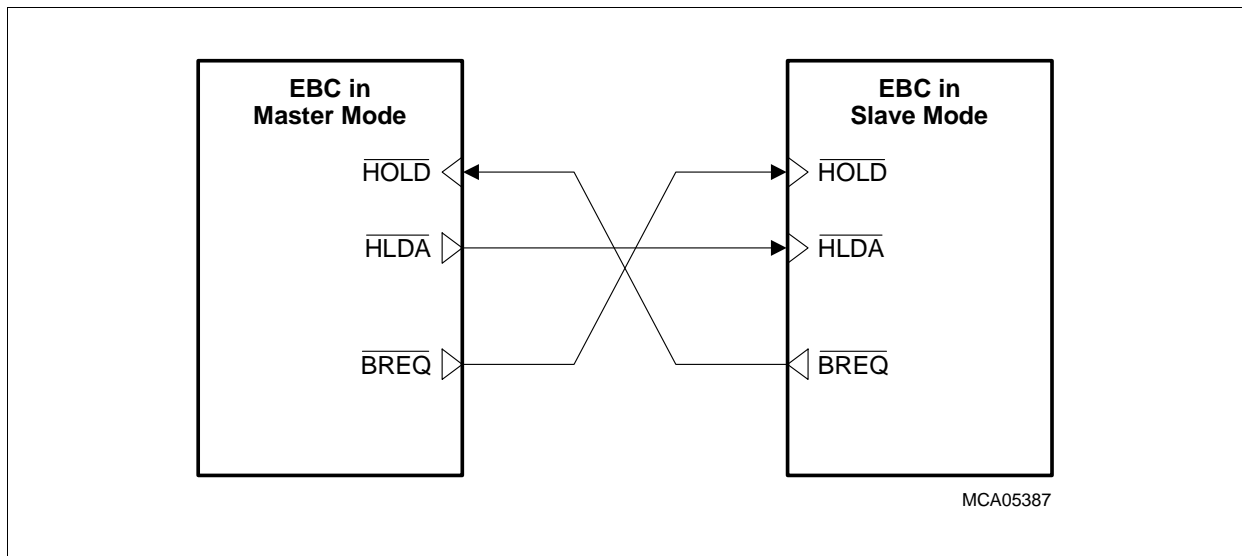
If the EBC is configured as arbitration slave it is by default not owner of the external bus and has to request the bus first. As long as it has not finished all its queued requests and the arbitration master is not requesting the bus the arbitration slave stays owner of the bus. For the description of the signal handling of the handshake see [Chapter 9.3.9.2](#). For the arbitration slave the hold acknowledge pin  $\overline{HLDA}$  is configured as input.

### 9.3.9.4 Bus Lock Function

If an application in a multi master system requires a sequence of undisturbed bus access it has the possibility (independently of being arbitration slave or master) to lock<sup>1)</sup> the bus by setting the PSW bit HLDEN to '0'. In this case the locked EBC will not answer to HOLD requests from other external bus master until HLDEN is set to '1' again. Of course a locked bus master not owning the bus can request the external bus. If a master and a slave are requesting the external bus at the same time for several accesses, they toggle the ownership after each access cycle if the bus is not locked.

### 9.3.9.5 Direct Master Slave Connection

If one XC2000 is configured as master and the other as slave and both are working on the same external bus as bus master, they can be connected directly together for bus arbitration as shown in **Figure 9-15**. As both EBCs assume after reset to own the external bus, the 'slave' CPU has to be released from reset and initialized first, before starting the 'master' CPU. The other way is to start both systems at the same time but then both EBC must be configured from internal memory and the PSW.HLDEN bits set before the first external bus request.



**Figure 9-15 Connecting two XC2000 Using Master/Slave Arbitration**

When multiple (more than two) bus masters (XC2000 or other masters) shall share the same external resources an additional external bus arbiter logic is required that determines the currently active bus master and that controls the necessary signal sequences.

1) It is not allowed to lock the bus by resetting the EBCMOD0.ARBEN bit, as this can lead to bus conflicts.

### 9.3.10 Shutdown Control

In case of a shutdown request from the SCU it must be insured by the EBC that all the different functions of the EBC are in a non-active state before the whole chip is switched in a Idle, Powerdown, Sleep or Software Reset mode. A running bus cycle is finished, still requested bus cycles are executed. Depending on the master/slave configuration of EBC, the external bus arbiter is controlled for regaining the bus (master) before performing the requested cycles, or the external bus must be released after complete execution of still requested bus cycles (see [Table 9-5](#)). Only when this shutdown sequence is terminated, the shutdown acknowledge is generated from EBC (and from other modules, as described for SCU) and the chip can enter the requested mode.

[Table 9-5](#) gives an overview of the shutdown control in EBC depending on the EBC configuration.

**Table 9-5 EBC Shutdown Control**

Arbitration Mode	Master Mode		Slave Mode	
	With Control of the Bus	Without Control of the Bus	With Control of the Bus	Without Control of the Bus
–	Finish all pending cycle requests. Send shutdown acknowledge with the control of the bus.	Ask for the bus. Finish all pending cycle requests. Send shutdown acknowledge with the control of the bus.	Finish all pending requests. Send shutdown acknowledge after leaving the bus.	Ask for the bus if needed and finish all requests. Send shutdown acknowledge after leaving the bus.

## 9.4 LXBus Access Control and Signal Generation

To connect on-chip peripherals via the EBC, the local system bus LXBus is provided. The LXBus is an internal (local) extension of the external bus. It is controlled by the External Bus Controller EBC identically to the external bus, using the select and cycle control functions as described for the external bus. The address range and chip select control with ADDRSELn registers, the function control with FCONCSn registers and the timing control with TCONCSn registers is identical to the external bus. Chip selects  $\overline{CS5}$  ...  $\overline{CS7}$  are reserved for LXBus peripherals. In XC2000, only one standard  $\overline{CSx}$ , the  $\overline{CS7}$  is used for the LXBus, necessary for the MultiCAN and USIC modules (see [Chapter 9.3.8](#)). Per default, the address range of this peripheral is located within the so-called 'External IO Range' (from 20'0000<sub>H</sub> to 3F'0000<sub>H</sub>). Accesses to the IO range are not buffered and not cached, and a read access is delayed until all IO writes pending in the pipeline are executed.

Only internal accesses to LXBus peripherals are supported by the EBC. External accesses are not supported in this C166SV2 derivative. Accesses to LXBus peripherals and memories are not visible on external bus pads.

## 9.5 EBC Register Table

**Table 9-6** lists all EBC Configuration Registers which are implemented in the XC2000 ordered by their physical address. The registers are all located in the XSFR space (internal IO space).

**Table 9-6 EBC Memory Table (ordered by physical address)**

Name	Physical Address	Description	Reset Value <sup>1)</sup>
EBCMOD0	EE00 <sub>H</sub>	EBC Mode Register 0	5000 <sub>H</sub>
EBCMOD1	EE02 <sub>H</sub>	EBC Mode Register 1	003F <sub>H</sub>
TCONCS0	EE10 <sub>H</sub>	$\overline{CS0}$ Timing Configuration Register	7C3D <sub>H</sub>
FCONCS0	EE12 <sub>H</sub>	$\overline{CS0}$ Function Configuration Register	0011 <sub>H</sub>
TCONCS1	EE18 <sub>H</sub>	$\overline{CS1}$ Timing Configuration Register	0000 <sub>H</sub>
FCONCS1	EE1A <sub>H</sub>	$\overline{CS1}$ Function Configuration Register	0000 <sub>H</sub>
ADDRSEL1	EE1E <sub>H</sub>	$\overline{CS1}$ Address Size and Range Register	0000 <sub>H</sub>
TCONCS2	EE20 <sub>H</sub>	$\overline{CS2}$ Timing Configuration Register	0000 <sub>H</sub>
FCONCS2	EE22 <sub>H</sub>	$\overline{CS2}$ Function Configuration Register	0000 <sub>H</sub>
ADDRSEL2	EE26 <sub>H</sub>	$\overline{CS2}$ Address Size and Range Register	0000 <sub>H</sub>
TCONCS3	EE28 <sub>H</sub>	$\overline{CS3}$ Timing Configuration Register	0000 <sub>H</sub>
FCONCS3	EE2A <sub>H</sub>	$\overline{CS3}$ Function Configuration Register	0000 <sub>H</sub>

Preliminary

The External Bus Controller EBC

**Table 9-6 EBC Memory Table (ordered by physical address) (cont'd)**

Name	Physical Address	Description	Reset Value <sup>1)</sup>
ADDRSEL3	EE2E <sub>H</sub>	$\overline{CS3}$ Address Size and Range Register	0000 <sub>H</sub>
TCONCS4	EE30 <sub>H</sub>	$\overline{CS4}$ Timing Configuration Register	0000 <sub>H</sub>
FCONCS4	EE32 <sub>H</sub>	$\overline{CS4}$ Function Configuration Register	0000 <sub>H</sub>
ADDRSEL4	EE36 <sub>H</sub>	$\overline{CS4}$ Address Size and Range Register	0000 <sub>H</sub>
TCONCS7	EE48 <sub>H</sub>	$\overline{CS7}$ Timing Configuration Register	0000 <sub>H</sub>
FCONCS7	EE4A <sub>H</sub>	$\overline{CS7}$ Function Configuration Register	0027 <sub>H</sub>
ADDRSEL7	EE4E <sub>H</sub>	$\overline{CS7}$ Address Size and Range Register	2003 <sub>H</sub>
reserved	EE50 <sub>H</sub> - EEFF <sub>H</sub>	reserved - do not use	—

1) **NOTE:** Reserved (and not listed) addresses are always read as FFFF<sub>H</sub>. However, for enabling future enhancements without any compatibility problems, these addresses should neither be written nor be used as read value by the software.

## 10 Startup Configuration and Bootstrap Loading

After start-up, the XC2000 executes code out of an on-chip or off-chip program memory. The initial code source can be selected via hardware configuration (i.e. defined levels on specific pins):

- **Internal Start** Mode: executes code out of the on-chip program Flash.
- **External Start** Mode: executes code out of an off-chip memory connected to the External Bus Interface.
- **Bootstrap Loading** Modes: execute code out of the on-chip program SRAM (PSRAM). This code is downloaded beforehand via a selectable serial interface.

### 10.1 Start-Up Mode Selection

After any device start-up the currently valid start-up configuration is indicated in bitfield HWCFG of register SCU\_STSTAT. **Table 10-1** summarizes the defined start up modes.

A start-up configuration can be selected in two ways:

- Via an externally applied hardware configuration upon a Power-on or Internal Application reset  
The hardware configuration is applied to Port 10 pins (P10.[3:0]).  
The hardware that activates a startup configuration during reset may be simple pull resistors for systems that use this feature upon every reset. You may want to use a switchable solution (via jumpers or an external signal) for systems that only temporarily use a hardware configuration.
- By executing the following software sequence (using register SCU\_SWRSTCON, described in **Section 6.2.10.2**):
  - Write respective configuration value (refer to **Table 10-1**) to bitfield SWCFG;
  - Set Software Boot Configuration bit: SWBOOT = 1;
  - Trigger a software reset by activating Software Reset Request: SWRSTREQ = 1.

*Note: After an Application reset the hardware configuration from P10 will not be evaluated, but the same configuration will be used as upon the previous reset.*

**Table 10-1 XC2000 Start-Up Mode Configuration**

Start-Up Mode	STSTAT.HWCFG Value <sup>1)</sup>	Configuration Pins P10.[3:0] <sup>2)</sup>			
Internal Start from Flash	0000'0011 <sub>B</sub>	x	x	1	1
Standard UART Bootloader mode	0000'0110 <sub>B</sub>	x	1	1	0
CAN Bootloader mode	0000'0101 <sub>B</sub>	x	1	0	1
SSC Bootloader mode	0000'1001 <sub>B</sub>	1	0	0	1
External Start	0000'0000 <sub>B</sub>	0	0	0	0

1) Bitfield HWCFG can be loaded from Port 10 or from bitfield SWCFG in register SWRSTCON.

2) x means that the level on the corresponding pin is irrelevant.

## 10.2 Internal Start

When internal start mode is configured, the XC2000 immediately begins executing code out of the on-chip Flash memory (first instruction from location C0'0000<sub>H</sub>).

No additional configuration options are required, when selecting internal startup mode.

*Note: Because internal start mode is expected to be the configuration used in most cases, this mode can be selected by pulling high just 2 pins.*

## 10.3 External Start

When external start mode is configured, the XC2000 begins executing code out of an off-chip memory (first instruction from location 00'0000<sub>H</sub>), connected to the XC2000's external bus interface.

The External Bus Controller is adjusted to the employed external memory by evaluating additional configuration pins.

Seven pins of P10 are used to select the EBC mode (P10.[10:8]), the address width (P10.[12:11]), and the number of chip select lines (P10.[14:13]). The following tables summarize the available options.



**Table 10-2 EBC Configuration: EBC Mode**

EBC Startup Mode	Cfg. Pins P10[10:8]			Pins Used by the EBC
8-Bit Data, Multiplexed	0	0	0	P2.0 ... P2.2, P10.0 ... P10.15
8-Bit Data, Demultiplexed	0	0	1	P0.0 ... P0.7, P1.0 ... P1.7, P2.0 ... P2.2, P10.0 ... P10.7, P10.13, P10.14
16-Bit Data, MUX, $\overline{\text{BHE}}$ mode	0	1	0	P2.0 ... P2.2, P2.11, P10.0 ... P10.15
16-Bit Data, MUX, $\overline{\text{WRH}}$ mode	0	1	1	P2.0 ... P2.2, P2.11, P10.0 ... P10.15
16-Bit Data, DeMUX, $\overline{\text{BHE}}$ mode, A0	1	0	0	P0.0 ... P0.7, P1.0 ... P1.7, P2.0 ... P2.2, P2.11, P10.0 ... P10.14
16-Bit Data, DeMUX, $\overline{\text{WRH}}$ mode, A0	1	0	1	P0.0 ... P0.7, P1.0 ... P1.7, P2.0 ... P2.2, P2.11, P10.0 ... P10.14
16-Bit Data, DeMUX, $\overline{\text{BHE}}$ mode, A1	1	1	0	P2.0 ... P2.2, P10.0 ... P10.15
16-Bit Data, DeMUX, $\overline{\text{WRH}}$ mode, A1	1	1	1	P0.0 ... P0.7, P1.0 ... P1.7, P2.0 ... P2.2, P10.0 ... P10.7, P10.13, P10.14

**Table 10-3 EBC Configuration: Address Width**

Available Address Lines	Cfg. Pins P10[12:11]		Additional Address Pins
A15 ... A0	0	0	None
A17 ... A0	0	1	P2.3, P2.4
A19 ... A0	1	0	P2.3 ... P2.6
A23 ... A0	1	1	P2.3 ... P2.10

**Table 10-4 EBC Configuration: Chip Select Lines**

Available Chip Select Lines	Cfg. Pins P10[14:13]		Used Pins
$\overline{\text{CS0}} \dots \overline{\text{CS4}}$	0	0	P4.0 ... P4.4
CS0	0	1	P4.0
CS0 ... CS1	1	0	P4.0, P4.1
None	1	1	None

## **10.4 Bootstrap Loading**

Bootstrap Loading is the technique of transferring code to the XC2000 via a certain interface (usually serial) before the regular code execution out of non-volatile program memory commences. Instead, the XC2000 executes the previously received code.

This boot-code may be complete (e.g. temporary software for testing or calibration), amend existing code in non-volatile program memory (e.g. with product-specific data or routines), or load additional code (e.g. using higher or more secure protocols). A possible application for bootstrap loading is the programming of virgin Flash memory at the end of a production line, with no external memory or internal Flash required for the initialization code.

The BSL mechanism may be used for standard system startup as well as only for special occasions like system maintenance (firmware update) or end-of-line programming or testing.

The XC2000 supports bootstrap loading using several protocols/modes:

- Standard UART protocol, loading 32 bytes (see [Section 10.4.2](#))
- Synchronous serial protocol (see [Section 10.4.3](#))
- CAN protocol (see [Section 10.4.4](#))

For a summary of these modes, see also [Table 10-10](#)

### **10.4.1 General Functionality**

Even though each bootstrap loader has its particular functionality, the general handling is the same for all of them.

#### **Entering a Bootstrap Loader**

Bootstrap loaders are enabled by selecting a specific start-up configuration (see [Section 10.1](#)).

The required configuration patterns are described in [Table 10-10](#) for the bootstrap loaders, and are summarized in [Table 10-1](#).

**Loading the Startup Code**

After establishing communication, the BSL enters a loop to receive the respective number of bytes. These bytes are stored sequentially into the on-chip PSRAM, starting at location  $E0'0000_H$ . To execute the loaded code the BSL then points register VECSEG to location  $E0'0000_H$ , i.e. the first loaded instruction, and then jumps to this instruction.

The loaded code may be the final application code or another, more sophisticated, loader routine that adds a transmission protocol to enhance the integrity of the loaded code or data. It may also contain a code sequence to change the system configuration and enable the bus interface to store the received data into external memory.

This process may go through several iterations or may directly execute the final application.

*Note: Data fetches from a protected Flash will not be executed.*

**Exiting Bootstrap Loader Mode**

After the bootstrap loader has been activated, the watchdog timer and the debug system are disabled. Watchdog timer and debug system are released automatically when the BSL terminates after having received the last byte from the host.

If 2<sup>nd</sup> level loaders are used, the loader routine should deactivate the watchdog timer via instruction DISWDT to allow for an extended download period.

After a non-BSL reset the XC2000 will start executing out of user memory as externally configured.

**Interface to the Host**

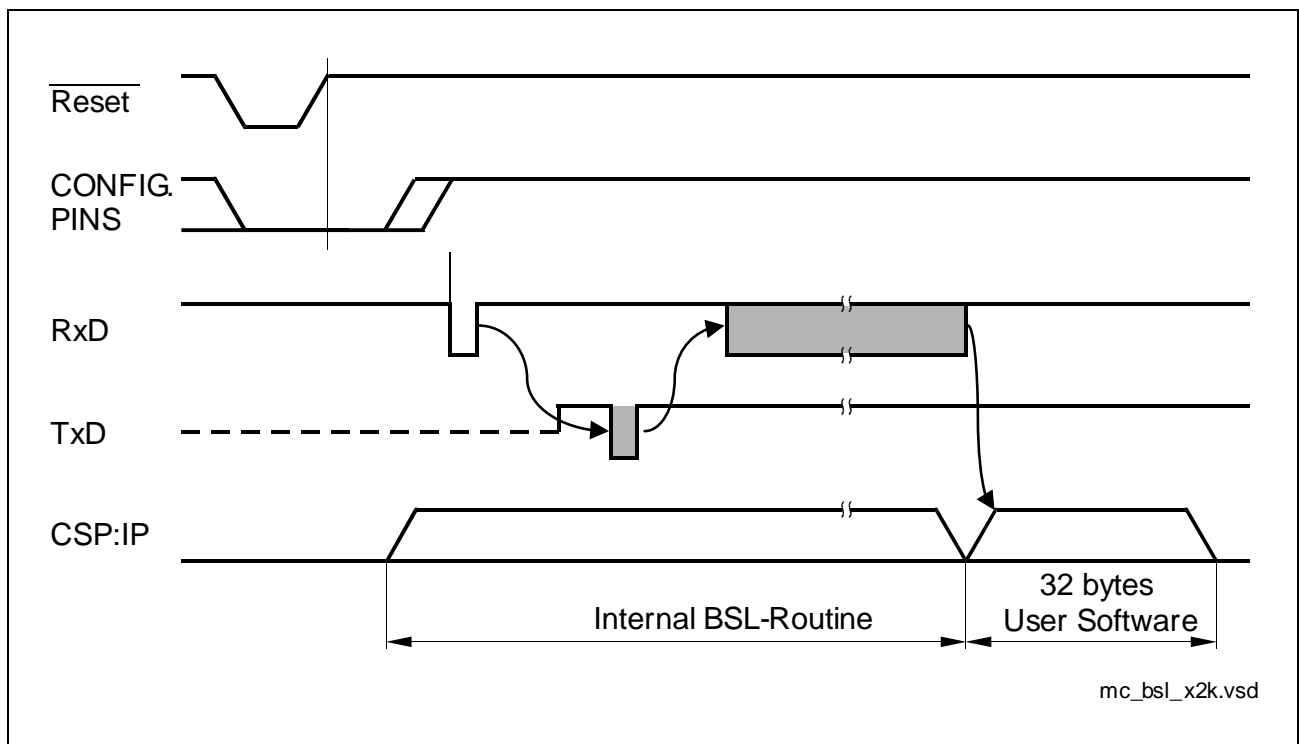
The bootstrap loader communicates with the external host over a predefined set of interface pins. These interface pins are automatically enabled and controlled by the bootstrap loader. The host must connect to these predefined interface pins.

**Table 10-10** indicates the interface pins that are used in each bootstrap loader mode.

### 10.4.2 Standard UART Bootstrap Loader

The standard UART bootstrap loader transfers program code/data via channel 0 of USIC0 (U0C0) into the PSRAM. The U0C0 receiver is only enabled after the identification byte has been transmitted. A half duplex connection to the host is, therefore, sufficient to feed the BSL.

Data is transferred from the external host to the XC2000 using asynchronous eight-bit data frames without parity (1 start bit, 1 stop bit). The number of data bytes to be received in standard UART boot mode is fixed to 32 bytes, which allows for up to 16 two-byte instructions.



**Figure 10-1 Bootstrap Loader Sequence**

After entering UART BSL mode and the respective initialization the XC2000 scans the RxD line to receive a zero byte, i.e. one start bit, eight 0 data bits and one stop bit. From the duration of this zero byte it calculates the corresponding baudrate factor with respect to the current CPU clock, initializes the serial interface U0C0 accordingly and switches pin TxD to output. Using this baudrate, an identification byte ( $D5_H$ ) is returned to the host that provides the loaded data.

After sending the identification byte the BSL enters a loop to receive 32 Bytes via U0C0. These bytes are stored sequentially into locations  $E0'0000_H$  through  $E0'001F_H$  of the internal PSRAM and then executed.

*Note: For loading more code, e.g. via a 2<sup>nd</sup>-level loader, see also [Section 10.4.2.2](#).*

### 10.4.2.1 Specific Settings

When the XC2000 has entered the Standard UART BSL mode, the following configuration is automatically set:

**Table 10-5 UART BSL-Specific State**

Item	Value	Comments
U0C0_CCR	0002 <sub>H</sub>	ASC mode selected for USIC0 Channel 0
U0C0_PCRL	0401 <sub>H</sub>	1 stop bit, three RxD-samples at point 4
U0C0_SCTRL	0002 <sub>H</sub>	Passive data level = 1
U0C0_SCTRH	0707 <sub>H</sub>	8 data bits
U0C0_PDIV	XXXX <sub>H</sub>	Measured value (zero-byte)
U0C0_FDRL	43FF <sub>H</sub>	Normal divider mode 1:1 selected
U0C0_BRGL	1C00 <sub>H</sub>	Normal mode, FDIV, 8 clocks/bit
U0C0_DX0CR	0003 <sub>H</sub>	Data input selection
P7_IOCRO3	00B0 <sub>H</sub>	P7.3 is push/pull output (TxD)
P7_IOCRO4	0020 <sub>H</sub>	P7.4 is input with pull-up (RxD)
DPP1	0081 <sub>H</sub>	Points to USIC0 base address <sup>1)</sup>
R0	4044 <sub>H</sub>	Pointer to U0C0_PSR <sup>1)</sup>
R1	4048 <sub>H</sub>	Pointer to U0C0_PSCR <sup>1)</sup>
R2	405C <sub>H</sub>	Pointer to U0C0_RBUF <sup>1)</sup>
R3	4000 <sub>H</sub>	Mask to clear RIF <sup>1)</sup>

1) This register setting is provided for a 2<sup>nd</sup>-level loader routine (see [Section 10.4.2.2](#)).

The identification byte identifies the device to be booted. The following codes are defined:

55<sub>H</sub>: 8xC166.

A5<sub>H</sub>: Previous versions of the C167 (obsolete).

B5<sub>H</sub>: Previous versions of the C165.

C5<sub>H</sub>: C167 derivatives.

D5<sub>H</sub>: All devices equipped with identification registers (including the XC2000).

*Note: The identification byte D5<sub>H</sub> does not directly identify a specific derivative. This information can, in this case, be obtained from the identification registers.*

### 10.4.2.2 Second Level Bootloader

Most probably the initially loaded routine will load additional code or data, as an average application is likely to require substantially more instructions than could fit into 32 Bytes. This second receive loop may directly use the pre-initialized interface U0C0 to receive data and store it to arbitrary user-defined locations.

The example code below shows how to fit such a 2<sup>nd</sup>-level loader into the available 32 bytes. This is possible due to the pre-initialized serial channel and the pre-set registers (see [Table 10-5](#)).

```

;Example for Secondary UART Bootstrap Loader Routine
;-----
TargetStart LIT  '0E00020H'      ;Definition of target area:
TargetEnd   LIT  '0E001FFH'      ;480 bytes in this example
StartOfCode LIT  '0E00100H'      ;Continue executing here...
                                           ;...after download

Level2Loader:
    DISWDT                          ;No WDT for further download
    MOV    DPP0,#(PAG TargetStart)
    MOV    R10, #(DPP0:TargetStart);Set pointer to target area
Level2MainLoop:
    MOV    [R1],R3                  ;Clear RIF for new byte
Level2RecLoop:
    MOV    R4, [R0]                ;Access PSR
    JNB    R4.14,Level2RecLoop      ;Wait for RIF
    MOVB   [R10],[R2]              ;Copy new byte to target
    CMPIL R10, #POF (TargetEnd);All bytes received??
    JMPR   cc_NE,Level2MainLoop     ;Repeat for complete area
Level2Terminate:
    JMPS   SEG StartOfCode, SOF StartOfCode

```

### 10.4.2.3 Choosing the Baudrate for the BSL

The calculation of the serial baudrate for U0C0 from the length of the first zero byte that is received, allows the operation of the bootstrap loader of the XC2000 with a wide range of baudrates. However, the upper and lower limits have to be kept, in order to ensure proper data transfer.

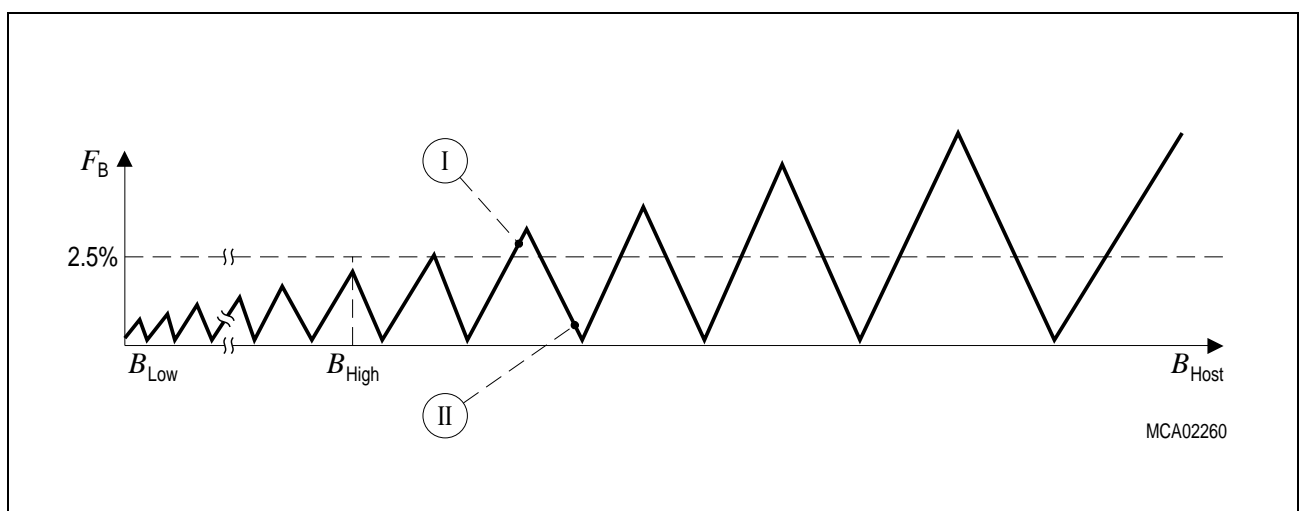
The XC2000 uses bitfield PDIV to measure the length of the initial zero byte. The quantization uncertainty of this measurement implies the deviation from the real baudrate.

For a correct data transfer from the host to the XC2000 the maximum deviation between the internal initialized baudrate for U0C0 and the real baudrate of the host should be below 2.5%. The deviation ( $F_B$ , in percent) between host baudrate and XC2000 baudrate can be calculated via **Equation (10.1)**:

$$F_B = \left| \frac{B_{Contr} - B_{Host}}{B_{Contr}} \right| \times 100\% \quad F_B \leq 2.5\% \quad (10.1)$$

*Note: Function ( $F_B$ ) does not consider the tolerances of oscillators and other devices supporting the serial communication.*

This baudrate deviation is a nonlinear function depending on the system clock and the baudrate of the host. The maxima of the function ( $F_B$ ) increase with the host baudrate due to the smaller baudrate prescaler factors and the implied higher quantization error (see **Figure 10-2**).



**Figure 10-2 Baudrate Deviation between Host and XC2000**

**The minimum baudrate** ( $B_{Low}$  in **Figure 10-2**) is determined by the maximum count capacity of bitfield PDIV, when measuring the zero byte, i.e. it depends on the system clock. The minimum baudrate is obtained by using the maximum PDIV count  $2^{10}$  in the baudrate formula. Baudrates below  $B_{Low}$  would cause PDIV to overflow. In this case U0C0 cannot be initialized properly and the communication with the external host is likely to fail.

**The maximum baudrate** ( $B_{High}$  in **Figure 10-2**) is the highest baudrate where the deviation still does not exceed the limit, i.e. all baudrates between  $B_{Low}$  and  $B_{High}$  are below the deviation limit.  $B_{High}$  marks the baudrate up to which communication with the external host will work properly without additional tests or investigations.

**Higher baudrates**, however, may be used as long as the actual deviation does not exceed the indicated limit. A certain baudrate (marked I) in **Figure 10-2** may e.g. violate the deviation limit, while an even higher baudrate (marked II) in **Figure 10-2** stays very well below it. Any baudrate can be used for the bootstrap loader provided that the following three prerequisites are fulfilled:

- the baudrate is within the specified operating range for U0C0
- the external host is able to use this baudrate
- the computed deviation error is below the limit.

*Note: When the bootstrap loader mode is entered after a power reset, the bootstrap loader will begin to operate with  $f_{SYS} = f_{IOOSC} \times 2$  (approximately 10 MHz) which will limit the maximum baudrate for U0C0.*

*Higher levels of the bootstrapping sequence can then switch the clock generation mode in order to achieve higher baudrates for the download.*



### **10.4.3 Synchronous Serial Channel Bootstrap Loader**

The Synchronous Serial Channel (SSC) bootstrap loader transfers program code/data from an external serial EEPROM via channel 0 of USIC0 (U0C0) into the PSRAM. The XC2000 is the master, so no additional elements (except for the EEPROM) are required.

Data is transferred from the external EEPROM to the XC2000 using synchronous eight-bit data frames with MSB first. The number of data bytes to be received in SSC boot mode is user-selectable. The serial clock rate is set to  $f_{SYS}/10$ , which results in 1 MHz after a power reset.

After entering SSC BSL mode and the respective initialization, the XC2000 first reads the header from the first addresses (00...0) of the target EEPROM.

This header consists of two items:

- The memory identification Byte:  $D5_H$
- The data size field: 1 byte or 2 bytes, depending on the EEPROM's addressing mode (8-bit or 16-bit, see [Section 10.4.3.1](#))

If both items are valid the BSL enters a loop to read the number of bytes defined by the data size field (maximum is  $FF_H$  or  $FF00_H$ , depending on the EEPROM) via U0C0.

These bytes are stored sequentially into PSRAM starting at location  $E0'0000_H$  and are then executed. Therefore, the size of the PSRAM in the respective derivative determines the real maximum block size to be downloaded.

An invalid header (identification byte  $\neq D5_H$ , data size field = 0 or greater than  $65280/FF00_H$ ) is indicated by toggling the  $\overline{CS}$  line low 3 times. This helps debugging during the system setup phase.

### 10.4.3.1 Supported EEPROM Types

The XC2000's SSC bootstrap loader assumes an SPI-compatible EEPROM (25xxx series). It supports devices with 8-bit addressing as well as with 16-bit addressing. The connected EEPROM type is determined by examining the received header bytes, as indicated in [Table 10-6](#).

**Table 10-6 Determining the EEPROM Type**

SSC Frame Number	Meaning of Transmitted Data	Received Data from 8-bit Addr. Device	Received Data from 16-bit Addr. Device
1	03 <sub>H</sub> : Read command	XX <sub>H</sub> (default level)	XX <sub>H</sub> (default level)
2	00 <sub>H</sub> : Address byte (high for 16-bit addr.)	XX <sub>H</sub> (default level)	XX <sub>H</sub> (default level)
3	00 <sub>H</sub> : Address byte low	Identification Byte	XX <sub>H</sub> (default level)
4	00 <sub>H</sub> : Dummy byte	Size field	Identification Byte
5	00 <sub>H</sub> : Dummy byte	Data byte 1	Size field, high Byte
6	00 <sub>H</sub> : Dummy byte	Data byte 2	Size field, low Byte
7	00 <sub>H</sub> : Dummy byte	Data byte 3	Data byte 1
...	00 <sub>H</sub> : Dummy byte	Data byte 4 ... n	Data byte 2 ... n

*Note: The value of the returned default bytes (indicated as XX<sub>H</sub>) depends on the employed EEPROM type.*

### 10.4.3.2 Specific Settings

When the XC2000 has entered the SSC BSL mode, the following configuration is automatically set:

**Table 10-7 SSC BSL-Specific State**

Item	Value	Comments
U0C0_CCR	0001 <sub>H</sub>	SSC mode selected for USIC0 Channel 0
U0C0_PCRL	0011 <sub>H</sub>	SSC master mode, frequency from fPPP
U0C0_PCRH	8000 <sub>H</sub>	MCLK generation is enabled
U0C0_SCTRL	0103 <sub>H</sub>	MSB first, passive data level=1
U0C0_SCTRH	073F <sub>H</sub>	8 data bits, infinite frame
U0C0_DX0CR	0015 <sub>H</sub>	Data input selection
U0C0_FDRL	43FF <sub>H</sub>	Normal divider mode 1:1 selected
U0C0_BRGL	0000 <sub>H</sub>	Normal mode, FDIV - default value after reset
U0C0_BRGH	8004 <sub>H</sub>	Passive levels MCLK/SCLK=0, PDIV=4
P2_IOCR03	00D0 <sub>H</sub>	P2.3 is open-drain output (MTSR)
P2_IOCR04	0020 <sub>H</sub>	P2.4 is input with pull-up (MRST)
P2_IOCR05	00D0 <sub>H</sub>	P2.5 is open-drain output (SCLK)
P2_IOCR06	00C0 <sub>H</sub>	P2.6 is open-drain output (SLS)

#### **10.4.4 CAN Bootstrap Loader**

The CAN bootstrap loader transfers program code/data via node 0 of the MultiCAN module into the PSRAM. Data is transferred from the external host to the XC2000 using eight-byte data frames. The number of data frames to be received is programmable and determined by the 16-bit data message count value DMSGC.

The communication between XC2000 and external host is based on the following three CAN standard frames:

- Initialization frame - sent by the external host to the XC2000
- Acknowledge frame - sent by the XC2000 to the external host
- Data frame(s) - sent by the external host to the XC2000

The initialization frame is used in the XC2000 for baud rate detection. After a successful baud rate detection is reported to the external host by sending the acknowledge frame, data is transmitted using data frames. **Table 10-8** shows the parameters and settings for the three utilized CAN standard frames.

*Note: The CAN bootstrap loader requires a point-to-point connection with the host, i.e. the XC2000 must be only CAN node connected to the network. A crystal with at least 4 MHz is required for CAN bootstrap loader operation.*

#### **Initialization Phase**

The first task is to determine the CAN baud rate at which the external host is communicating. This task requires the external host to send initialization frames continuously to the XC2000. The first two data bytes of the initialization frame include a 2-byte baud rate detection pattern (5555<sub>H</sub>), an 11-bit (2-byte) identifier ACKID<sup>1)</sup> for the acknowledge frame, a 16-bit data message count value DMSGC, and an 11-bit (2-byte) identifier DMSGID<sup>1)</sup> to be used by the data frame(s).

The CAN baud rate is determined by analyzing the received baud rate detection pattern (5555<sub>H</sub>) and the baud rate registers of the MultiCAN module are set accordingly. The XC2000 is now ready to receive CAN frames with the baud rate of the external host.

#### **Acknowledge Phase**

In the acknowledge phase, the bootstrap loader waits until it receives the next correctly recognized initialization frame from the external host, and acknowledges this frame by generating a dominant bit in its ACK slot. Afterwards, the bootstrap loader transmits an acknowledge frame back to the external host, indicating that it is now ready to receive data frames. The acknowledge frame uses the message identifier ACKID that has been received with the initialization frame.

---

1) The CAN bootstrap loader copies the two identifier bytes received in the initialization frame directly to register MOAR. Therefore, the respective fields in the initialization frame must contain the intended identifier padded with two dummy bits at the lower end and extended with bitfields IDE (=0<sub>B</sub>) and PRI (=01<sub>B</sub>) at the upper end.

**Data Transmission Phase**

In the data transmission phase, data frames are sent by the external host and received by the XC2000. The data frames use the 11-bit data message identifier DMSGID that has been sent with the initialization frame. Eight data bytes are transmitted with each data frame. The first data byte is stored in PSRAM at E0'0000<sub>H</sub>. Consecutive data bytes are stored at incrementing addresses.

Both communication partners evaluate the data message count DMSGC until the requested number of CAN data frames has been transmitted. After the reception of the last CAN data frame, the bootstrap loader finishes and executes the loaded code.

**Timing Parameters**

There are no general restrictions for CAN timings of the external host. During the initialization phase the external host transmits initialization frames. If no acknowledge frame is sent back within a certain time as defined in the external host (e.g. after a dedicated number of initialization frame transmissions), the external host can decide that the XC2000 is not able to establish the CAN boot communication link.

**Table 10-8 CAN Bootstrap Loader Frames**

<b>Frame Type</b>	<b>Parameter</b>	<b>Description</b>
Initialization Frame	Identifier	11-bit, don't care
	DLC = 8	Data length code, 8 bytes within CAN frame
	Data bytes 0/1	Baud rate detection pattern (5555 <sub>H</sub> )
	Data bytes 2/3	Acknowledge message identifier ACKID (complete register contents)
	Data bytes 4/5	Data message count DMSGC, 16-bit
	Data bytes 6/7	Data message identifier DMSGID (complete register contents)
Acknowledge Frame	Identifier	Acknowledge message identifier ACKID as received by data bytes [3:2] of the initialization frame
	DLC = 4	Data length code, 4 bytes within CAN frame
	Data bytes 0/1	Contents of bit-timing register
	Data bytes 2/3	Copy of acknowledge identifier from initialization frame
Data frame	Identifier	Data message identifier DMSGID as sent by data bytes [7:6] of the initialization frame
	DLC = 8	Data length code, 8 bytes within CAN frame
	Data bytes 0 to 7	Data bytes, assigned to increasing destination (PSRAM) addresses

### 10.4.4.1 Specific Settings

When the XC2000 has entered the CAN BSL mode, the following configuration is automatically set:

**Table 10-9 CAN BSL-Specific State**

<b>Item</b>	<b>Value</b>	<b>Comments</b>
P2_IOCRO5	00A0 <sub>H</sub>	P2.5 is push/pull output (TxD)
P2_IOCRO6	0020 <sub>H</sub>	P2.6 is input with pull-up (RxD)
SCU_HPOSCCON	0030 <sub>H</sub>	OSC_HP enabled, External Crystal/Clock mode
SCU_SYSCON0	0001 <sub>H</sub>	OSC_HP selected as system clock
CAN_MOCTR0L	0008 <sub>H</sub>	Message Object 0 Control, low
CAN_MOCTR0H	00A0 <sub>H</sub>	Message Object 0 Control, high
CAN_MOCTR1L	0000 <sub>H</sub>	Message Object 1 Control, low
CAN_MOCTR1H	0F28 <sub>H</sub>	Message Object 1 Control, high
CAN_MOF0R1H	0400 <sub>H</sub>	Message Object Function Control, high
CAN_MOAMR0H	1FFF <sub>H</sub>	Message Object 0 - Acceptance Mask bit set
CAN_NPCRO	0003 <sub>H</sub>	Data input selection

### 10.4.5 Summary of Bootstrap Loader Modes

This table summarizes the external hardware provisions that are required to activate a bootstrap loader in a system.

**Table 10-10 Configuration Data for Bootstrap Loader Modes**

<b>Bootstrap Loader Mode</b>	<b>Configuration on P10.3-0<sup>1)</sup></b>	<b>Receive Line from Host</b>	<b>Transmit Line to Host</b>	<b>Transferred Data</b>
Standard UART	x110 <sub>B</sub>	RxD = P7.4	TxD = P7.3	32 Bytes
Sync. Serial	1001 <sub>B</sub>	MRST = P2.4	MTSR = P2.3 SCLK = P2.5 SLS = P2.6	n Bytes; 1 ... 65,280
MultiCAN	x101 <sub>B</sub>	RxDC0 = P2.6	TxDC0 = P2.5	8 × n Bytes

1) x means that the level on the corresponding pin is irrelevant.





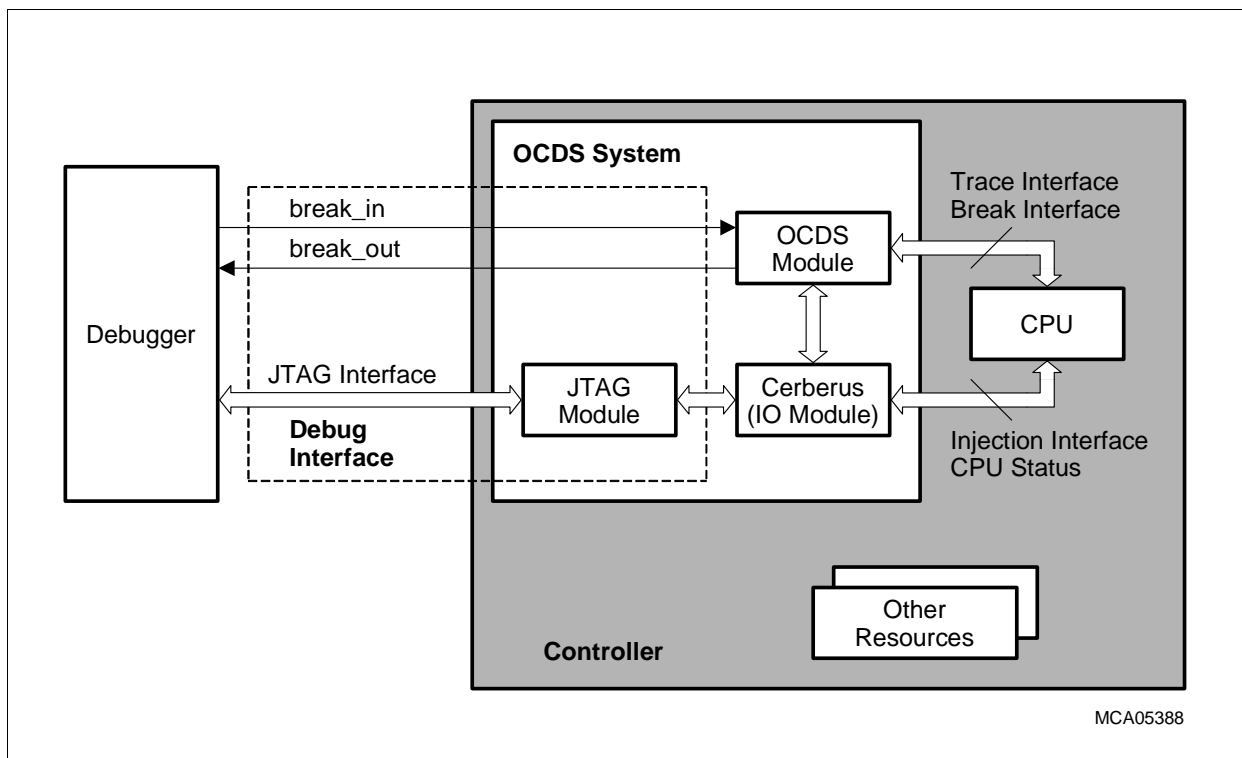
## 11 Debug System

The XC2000 includes an On-Chip Debug Support (OCDS) system, which provides convenient debugging, controlled directly by an external device via debug interface pins.

### On-Chip Debug Support (OCDS)

The OCDS system supports a broad range of debug features including setting up breakpoints and tracing memory locations. Typical application of OCDS is to debug the user software running on the XC2000 in the customer's system environment.

The OCDS system is controlled by an external debugging device via the **Debug Interface**, including an independent JTAG interface and a break interface (**Figure 11-1**). The debugger manages the debugging tasks through a set of OCDS registers accessible via the JTAG interface, and through a set of special debug IO instructions. Additionally, the OCDS system can be controlled by the CPU, e.g. by the monitor program. The OCDS system interacts with the core through an injection interface to allow execution of Cerberus-generated instructions, and through a break port.



**Figure 11-1 OCDS Overall Structure**

The OCDS system functions are represented and controlled by the **Debug Interface**, the **OCDS Module** and by the debug IO control module (**Cerberus**) which provides all the functionality necessary to interact between the debug interface (the external debugger) and the internal system.

The OCDS system provides the following basic features:

- Hardware, software and external pin breakpoints
- Reaction on break with CPU-Halt, monitor call, data transfer and external signal
- Read/write access to the whole address space
- Single stepping
- Debug Interface pins for JTAG interface and break interface
- Injection of arbitrary instructions
- Fast memory tracing through transfer to external bus
- Analysis and status registers

## 11.1 Debug Interface

The **Debug Interface** is a channel to access XC2000 On-Chip Debug Support (OCDS) resources. Through it data can be transferred to/from all on- and off-chip (if any) memories and control registers.

### Features and Functions

- Independent interface for On-Chip Debug Support (OCDS)
- JTAG port based on the IEEE 1149 JTAG standard
- Break interface for external trigger and indication of breaks
- Generic memory access functionality
- Independent data transfer channel for e.g. programming of on-chip non volatile memory

The Debug Interface is represented by:

- Standard **JTAG Interface**
- Two additional XC2000 specific signals - **OCDS Break-Interface**

### JTAG Interface

The JTAG interface is a standardized and dedicated port usually used for boundary scan and for chip internal tests. Because both of these applications are not enabled during normal operation of the device in a system, the JTAG port is an ideal interface for debugging tasks.

This interface holds the JTAG IEEE.1149-standard signals:

- **TDI** - Serial data input
- **TDO** - Serial data output
- **TCK** - JTAG clock
- **TMS** - State machine control signal
- **TRST** - Reset/Module enable

### OCDS Break-Interface

Two additional signals are used to implement a direct asynchronous-break channel between the Debugger and XC2000 **OCDS Module**:

- **BRKIN** (BReAK IN request) allows the Debugger asynchronously to interrupt the CPU and force it to a predefined status/action.
- **BRKOUT** (BReAK OUT signal) can be activated by OCDS to notify the external world that some predefined debug event has happened, while not interrupting the CPU and using its pin(s).

#### 11.1.1 Routing of Debug Signals

The signals used to connect an external debugger via the JTAG interface and the break interface usually conflict with the requirements of the application, which needs as many IOs as possible. In the XC2000, these signals are only provided as alternate functions (no dedicated pins). To minimize the impact caused by the debug interface pins, these signals can be mapped to several pins. Thus, each application can select the variant with the least impact. This is controlled via the Debug Pin Routing Register DBGPRR. Pin BRKOUT can be assigned to pins P6.0, P10.11, P1.5, or P9.3 as a standard alternate output signal via the respective IOC register.

##### 11.1.1.1 Register DBGPRR

This register controls the pin mapping of the JTAG pins.

#### DBGPRR

**Debug Pin Routing Register      ESR (F06E<sub>H</sub>/37<sub>H</sub>)      Reset Value: 0000<sub>H</sub>**

15	14	13	12	11	10	9	8	7	6	5	4	3	2	1	0
TRSTL	0					DPR BRKIN	DPR TCK	DPR TMS	DPR TDI	DPR TDO					
rh	r					rw	rw	rw	rw	rw					

Field	Bits	Type	Description
DPRTDO	[1:0]	rw	<b>Debug Pin Routing for TDO</b> 00 P7.0 01 P10.12 10 Reserved, do not use 11 Reserved, do not use

Field	Bits	Type	Description
<b>DPRTDI</b>	[3:2]	rw	<b>Debug Pin Routing for TDI</b> 00 P5.2 01 P10.10 10 P7.2 11 P8.3
<b>DPRTMS</b>	[5:4]	rw	<b>Debug Pin Routing for TMS</b> 00 P5.4 01 P10.11 10 P7.3 11 P8.4
<b>DPRTCK</b>	[7:6]	rw	<b>Debug Pin Routing for TCK</b> 00 P2.9 01 P10.9 10 P7.4 11 P8.5
<b>DPRBRKIN</b>	[9:8]	rw	<b>Debug Pin Routing for BRKIN</b> 00 P5.10 01 P10.8 10 P7.1 11 P8.6
<b>TRSTL</b>	15	rh	<b>TRST Pin Start-up Value</b> This bit indicates if the Debug Mode can be entered or not. 0 A debugger can not be connected 1 A debugger can be connected
<b>0</b>	[14:10]	r	<b>Reserved</b> read as 0; should be written with 0.

## 11.2 OCDS Module

The application of **OCDS Module** is to debug the user software running on the CPU in the customer's system. This is done with an external debugger, that controls the **OCDS Module** via the independent **Debug Interface**.

### Features

- Hardware, software and external pin breakpoints
- Up to 4 instruction pointer breakpoints
- Masked comparisons for hardware breakpoints
- The OCDS can also be configured by a monitor
- Support of multi CPU/master system
- Single stepping with monitor or CPU halt
- PC is visible in halt mode (IO\_READ\_IP instruction injection via **Cerberus**)

### Basic Concept

The on chip debug concept is split up into two parts. The first part covers the generation of debug events and the second part defines what actions are taken when a debug event is generated.

- Debug events:
  - **Hardware Breakpoints**
  - Decoding of a **SBRK Instruction**
  - **Break Pin Input** activated
- Debug event actions:
  - **Halt Mode** of the CPU
  - **Call a Monitor**
  - **Trigger Transfer**
  - **Activate External Pin** Output

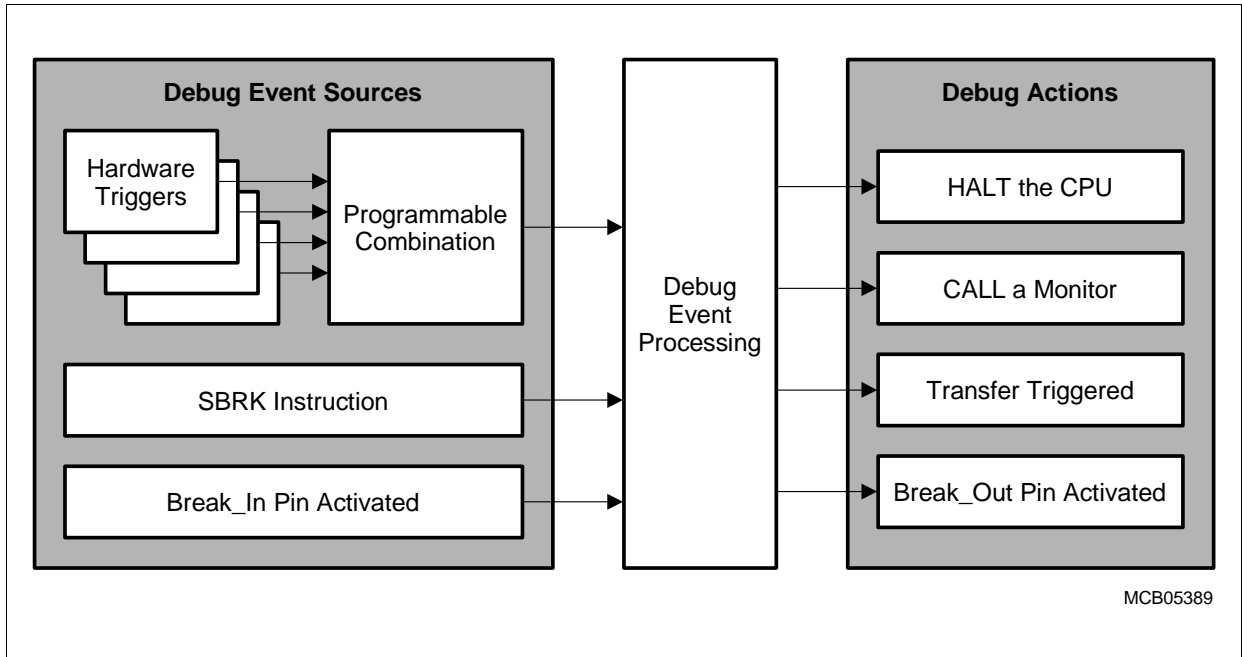


Figure 11-2 OCDS Concept: Block Diagram

## 11.2.1 Debug Events

The Debug Events can come from a few different sources.

### Hardware Breakpoints

The **Hardware Breakpoint** is a debug-event, raised when a single or a combination of multiple trigger-signals are matching with the programmed conditions.

The following hardware trigger sources can be used:

**Table 11-1 Hardware Triggers**

Trigger Source	Size
Task Identifier	16 bits
Instruction Pointer	24 bits
Data address of reads (two busses monitored)	2 × 24 bits
Data address of writes	24 bits
Data value (reads or writes)	16 bits

### SBRK Instruction

This is a mechanism through which the software can explicitly generate a debug event. It can be used for instance by a debugger to temporarily patch code held in RAM in order to implement **Software Breakpoints**.

A special SBRK (Software BReAK) instruction is defined with opcode 0x8C00. When this instruction has been decoded and it reaches the Execute stage, the whole pipeline is canceled including the SBRK itself. Hence in fact the SBRK instruction is never “executed” by itself.

The further behavior is dependent on how OCDS has been programmed:

- if the OCDS is enabled and the software breakpoints are also enabled, then the CPU goes into **Halt Mode**
- if the OCDS is disabled or the software breakpoints are disabled, then the **Software Break Trap** (SBRKTRAP) is executed-Class A Trap, number 08<sub>H</sub>

### Break Pin Input

An external debug break pin (**BRKIN**) is provided to allow the debugger to asynchronously interrupt the processor.

## 11.2.2 Debug Actions

When the OCDS is enabled and a debug event is generated, one of the following actions is taken:

### Trigger Transfer

One of the actions that can be specified to occur on a debug event being raised is to trigger the **Cerberus**:

- to execute a Data Transfer - this can be used in critical routines where the system cannot be interrupted to transfer a memory location
- to inject an instruction to the Core - using this mechanism, an arbitrary instruction can be injected into the XC2000 pipeline

### Halt Mode

Upon this Action the OCDS Module sends a Break-Request to the Core.

The Core accepts this request, if the OCDS Break Level is higher than current CPU priority level. In case a Break-Request is accepted, the system suspends execution with halting the instruction flow.

The Halt Mode can be still interrupted by higher priority user interrupts. It then relies on the external debugger system to interrogate the target purely through reading and updating via the debug interface.

### Call a Monitor

One of the possible actions to be taken when a debug event is raised is to call a Monitor Program.

This short entry to a Monitor allows a flexible debug environment to be defined which is capable of satisfying many of the requirements for efficient debugging of a real time system. In the common case the Monitor has the highest priority and can not be interrupted from any other requesting source.

It is also possible to have an Interruptible Monitor Program. In such a case safety critical code can be still served while the Monitor (Debugger) is active, which gives a maximum flexibility to the user.

### Activate External Pin

This action activates the external pin **BRKOUT** of the **OCDS Break-Interface**. It can be used in critical routines where the system cannot be interrupted to signal to the external world that a particular event has happened. The feature could also be useful to synchronize the internal and external debug hardware.



### 11.3 Cerberus

Cerberus is the module which provides and controls all the operations necessary to interact between the external debugger (via the **Debug Interface**), the **OCDS Module** and the internal system of XC2000.

#### Features

- JTAG interface is used as control and data channel
- Generic memory read/write functionality (RW mode) with access to the whole address space
- Reading and writing of general-purpose registers (GPRs)
- Injection of arbitrary instructions
- External host controls all transactions
- All transactions are available at normal run time and in halt mode
- Priority of transactions can be configured
- Full support for communication between the monitor and an external host (debugger)
- Optional error protection
- Tracing memory locations through transferring values to the external bus
- Analysis Register for internal bus locking situations

The target application of Cerberus is to use the JTAG interface as an independent port for On Chip Debug Support. The external debugger can access the OCDS registers and arbitrary memory locations with the injection mechanism.

#### 11.3.1 Functional Overview

Cerberus is operated by an external debugger across the **JTAG Interface**. The Debugger supplies **Cerberus IO Instructions** and performs bidirectional data-transfers. The **Cerberus** distinguishes between two main modes of operation:

##### Read/Write Mode of Operation

Read/Write (RW) Mode is the most typical way to operate Cerberus. This mode is used to read and write memory locations or to inject instructions. The injection interface to the core is actively used in this mode.

In this mode an external Debugger (host), using JTAG Interface, can:

- read and write memory locations from the target system (data-transfer);
- inject arbitrary instructions to be executed by the Core.

All **Cerberus IO Instructions** can be used in RW mode. The dedicated **IO\_READ\_IP** instruction is provided in RW mode to read the IP of the CPU while in Break.

The access to any memory location is performed with injected instructions, as PEC transfer. The following **Cerberus IO Instructions** can be used in their generic meaning:

- **IO\_READ\_WORD, IO\_WRITE\_WORD**
- **IO\_READ\_BLOCK, IO\_WRITE\_BLOCK**
- **IO\_WRITE\_BYTE**

Within these instructions, the host writes/reads data to/from a dedicated register/memory, while the Cerberus itself takes care of the rest: to perform a PEC transfer by injection of the appropriate instructions to the Core.

### Communication Mode of Operation

In this mode the external host (debugger) communicates with a program (Monitor) running on the CPU. The data-transfers are made via a PDBus+ register. The external host is master of all transactions, requesting the monitor to write or read a value.

The difference to **Read/Write Mode of Operation** is that the read or write request now is not actively executed by the Cerberus, but it sets request bits in a CPU accessible register to signal the Monitor, that the host wants to send (**IO\_WRITE\_WORD**) or receive (**IO\_READ\_WORD**) a value. The Monitor has to poll this status register and perform respectively the proper actions

Communication Mode is the default mode after reset. Only the **IO\_WRITE\_WORD** and **IO\_READ\_WORD** Instructions are effectively used in Communication Mode.

The Host and the Monitor exchange data directly with the dedicated data-register. For a synchronization of Host (Debugger) and Monitor accesses, there are associated control bits in a Cerberus status register.

## 12 Instruction Set Summary

This chapter briefly summarizes the XC2000's instructions ordered by instruction classes. This provides a basic understanding of the XC2000's instruction set, the power and versatility of the instructions and their general usage.

**A detailed description** of each single instruction, including its operand data type, condition flag settings, addressing modes, length (number of bytes) and object code format is provided in the “**Instruction Set Manual**” for the XC2000 Family. This manual also provides tables ordering the instructions according to various criteria, to allow quick references.

### Summary of Instruction Classes

Grouping the various instruction into classes aids in identifying similar instructions (e.g. SHR, ROR) and variations of certain instructions (e.g. ADD, ADDB). This provides an easy access to the possibilities and the power of the instructions of the XC2000.

*Note: The used mnemonics refer to the detailed description.*

**Table 12-1 Arithmetic Instructions**

Addition of two words or bytes:	ADD	ADDB
Addition with Carry of two words or bytes:	ADDC	ADDCB
Subtraction of two words or bytes:	SUB	SUBB
Subtraction with Carry of two words or bytes:	SUBC	SUBCB
16 × 16 bit signed or unsigned multiplication:	MUL	MULU
16/16 bit signed or unsigned division:	DIV	DIVU
32/16 bit signed or unsigned division:	DIVL	DIVLU
1's complement of a word or byte:	CPL	CPLB
2's complement (negation) of a word or byte:	NEG	NEGB

**Table 12-2 Logical Instructions**

Bitwise ANDing of two words or bytes:	AND	ANDB
Bitwise ORing of two words or bytes:	OR	ORB
Bitwise XORing of two words or bytes:	XOR	XORB

**Table 12-3 Compare and Loop Control Instructions**

Comparison of two words or bytes:	CMP	CMPB
Comparison of two words with post-increment by either 1 or 2:	CMPI1	CMPI2
Comparison of two words with post-decrement by either 1 or 2:	CMPD1	CMPD2

**Table 12-4 Boolean Bit Manipulation Instructions**

Manipulation of a maskable bit field in either the high or the low byte of a word:	BFLDH	BFLDL
Setting a single bit (to '1'):	BSET	–
Clearing a single bit (to '0'):	BCLR	–
Movement of a single bit:	BMOV	–
Movement of a negated bit:	BMOVN	–
ANDing of two bits:	BAND	–
ORing of two bits:	BOR	–
XORing of two bits:	BXOR	–
Comparison of two bits:	BCMP	–

**Table 12-5 Shift and Rotate Instructions**

Shifting right of a word:	SHR	–
Shifting left of a word:	SHL	–
Rotating right of a word:	ROR	–
Rotating left of a word:	ROL	–
Arithmetic shifting right of a word (sign bit shifting):	ASHR	–

**Table 12-6 Prioritize Instruction**

Determination of the number of shift cycles required to normalize a word operand (floating point support):	PRIOR	–
--	-------	---

**Table 12-7 Data Movement Instructions**

Standard data movement of a word or byte:	MOV	MOVB
Data movement of a byte to a word location with either sign or zero byte extension:	MOVBS	MOVBZ

*Note: The data movement instructions can be used with a big number of different addressing modes including indirect addressing and automatic pointer in-/decrementing.*

**Table 12-8 System Stack Instructions**

Pushing of a word onto the system stack:	PUSH	–
Popping of a word from the system stack:	POP	–
Saving of a word on the system stack, and then updating the old word with a new value (provided for register bank switching):	SCXT	–

**Table 12-9 Jump Instructions**

Conditional jumping to an either absolutely, indirectly, or relatively addressed target instruction within the current code segment:	JMPA	JMPI	JMPR
Unconditional jumping to an absolutely addressed target instruction within any code segment:	JMPS	–	–
Conditional jumping to a relatively addressed target instruction within the current code segment depending on the state of a selectable bit:	JB	JNB	–
Conditional jumping to a relatively addressed target instruction within the current code segment depending on the state of a selectable bit with a post-inversion of the tested bit in case of jump taken (semaphore support):	JBC	JNBS	–

**Table 12-10 Call Instructions**

Conditional calling of an either absolutely or indirectly addressed subroutine within the current code segment:	CALLA	CALLI
Unconditional calling of a relatively addressed subroutine within the current code segment:	CALLR	–
Unconditional calling of an absolutely addressed subroutine within any code segment:	CALLS	–
Unconditional calling of an absolutely addressed subroutine within the current code segment plus an additional pushing of a selectable register onto the system stack:	PCALL	–
Unconditional branching to the interrupt or trap vector jump table in code segment <VECSEG>:	TRAP	–

**Table 12-11 Return Instructions**

Returning from a subroutine within the current code segment:	RET	–
Returning from a subroutine within any code segment:	RETS	–
Returning from a subroutine within the current code segment plus an additional popping of a selectable register from the system stack:	RETP	–
Returning from an interrupt service routine:	RETI	–

**Table 12-12 System Control Instructions**

Resetting the XC2000 via software:	SRST	–
Entering the Idle mode or Sleep mode:	IDLE	–
Entering the Power Down mode:	PWRDN	–
Servicing the Watchdog Timer:	SRVWDT	–
Disabling the Watchdog Timer:	DISWDT	–
Enabling the Watchdog Timer (can only be executed in WDT enhanced mode):	ENWDT	–
Signifying the end of the initialization routine (pulls pin RSTOUT high, and disables the effect of any later execution of a DISWDT instruction in WDT compatibility mode):	EINIT	–

**Table 12-13 Miscellaneous**

Null operation which requires 2 Bytes of storage and the minimum time for execution:	NOP	–
Definition of an unseparable instruction sequence:	ATOMIC	–
Switch ‘reg’, ‘bitoff’ and ‘bitaddr’ addressing modes to the Extended SFR space:	EXTR	–
Override the DPP addressing scheme using a specific data page instead of the DPPs, and optionally switch to ESFR space:	EXTP	EXTPR
Override the DPP addressing scheme using a specific segment instead of the DPPs, and optionally switch to ESFR space:	EXTS	EXTSR

*Note: The ATOMIC and EXT\* instructions provide support for uninterruptable code sequences e.g. for semaphore operations. They also support data addressing beyond the limits of the current DPPs (except ATOMIC), which is advantageous for bigger memory models in high level languages.*

**Table 12-14 MAC-Unit Instructions**

Multiply (and Accumulate):	CoMUL	CoMAC
Add/Subtract:	CoADD	CoSUB
Shift right/Shift left:	CoSHR	CoSHL
Arithmetic Shift right:	CoASHR	–
Load Accumulator:	CoLOAD	–
Store MAC register:	CoSTORE	–
Compare values:	CoCMP	–
Minimum/Maximum:	CoMIN	CoMAX
Absolute value:	CoABS	–
Rounding:	CoRND	–
Move data:	CoMOV	–
Negate accumulator:	CoNEG	–
Null operation:	CoNOP	–

### Protected Instructions

Some instructions of the XC2000 which are critical for the functionality of the controller are implemented as so-called Protected Instructions. These protected instructions use the maximum instruction format of 32 bits for decoding, while the regular instructions only use a part of it (e.g. the lower 8 bits) with the other bits providing additional information like involved registers. Decoding all 32 bits of a protected doubleword instruction increases the security in cases of data distortion during instruction fetching. Critical operations like a software reset are therefore only executed if the complete instruction is decoded without an error. This enhances the safety and reliability of a microcontroller system.



## 13 Device Specification

The device specification describes the electrical parameters of the device. It lists DC characteristics like input, output or supply voltages or currents, and AC characteristics like timing characteristics and requirements.

Other than the architecture, the instruction set, or the basic functions of the XC2000 core and its peripherals, these DC and AC characteristics are subject to changes due to device improvements or specific derivatives of the standard device.

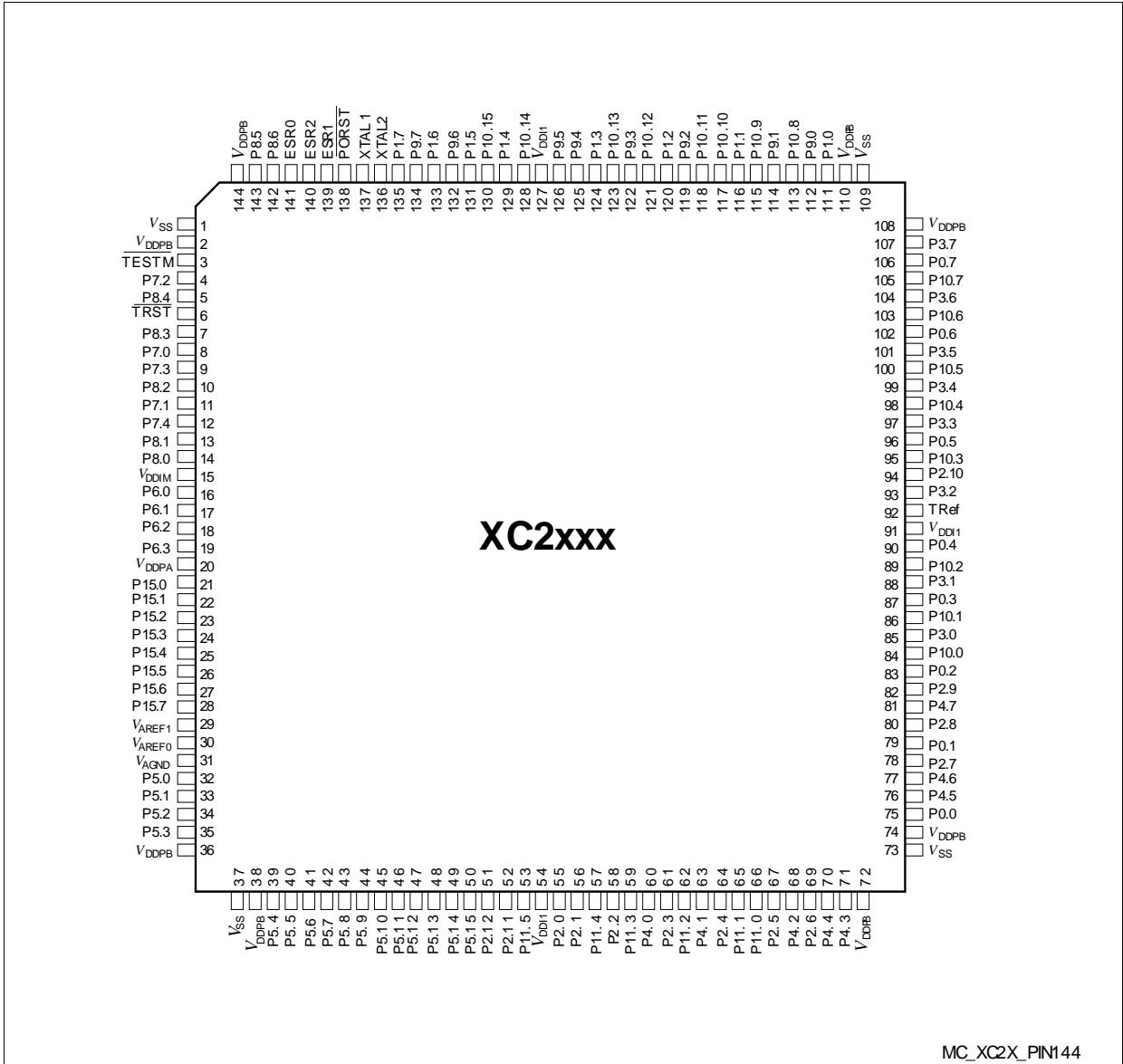
Therefore, these characteristics are not contained in this manual, but rather provided in a separate Data Sheet, which can be updated more frequently.

Please refer to the current version of the Data Sheet of the respective device for all electrical parameters.

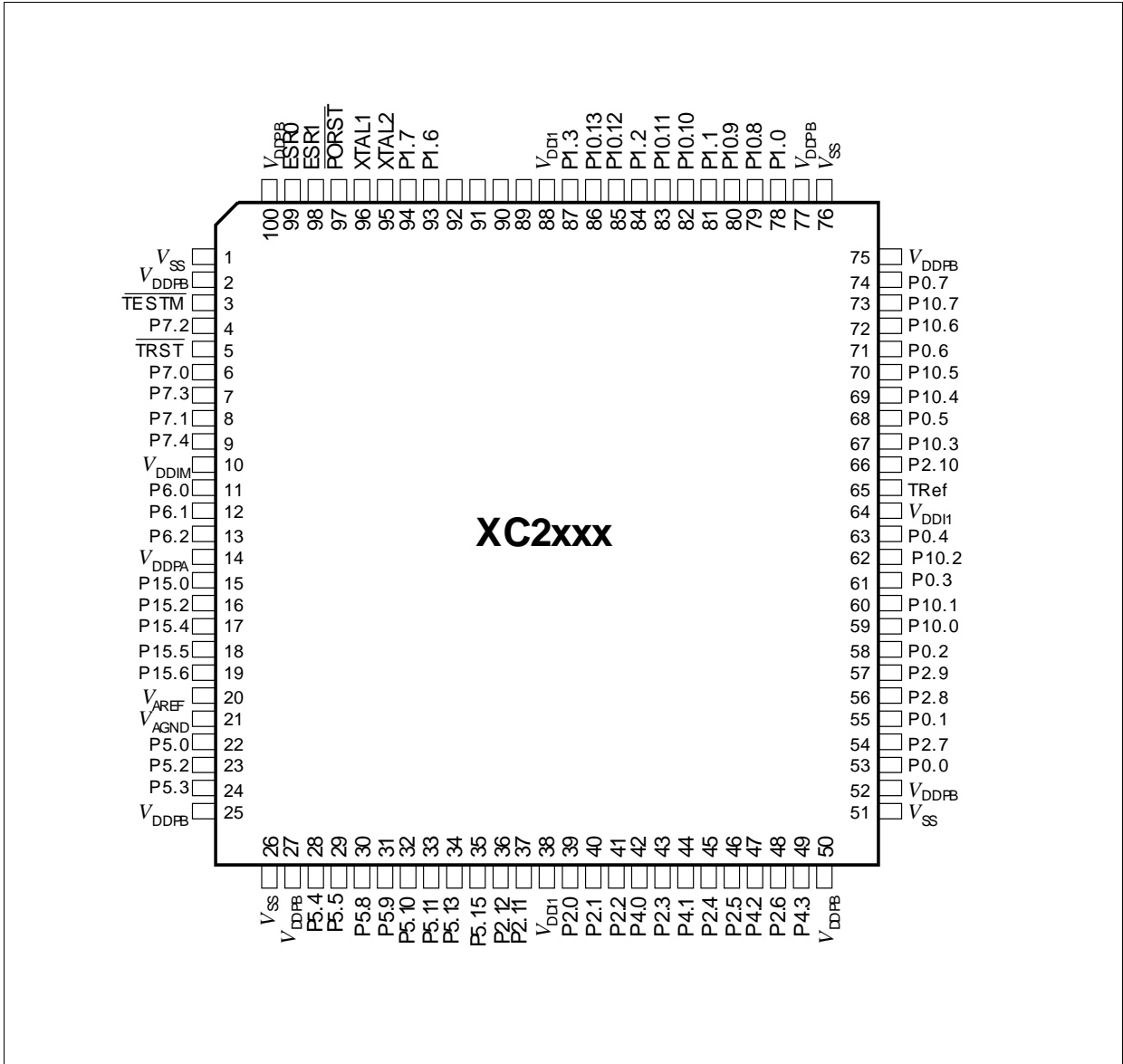
*Note: In any case the specific characteristics of a device should be verified, before a new design is started. This ensures that the used information is up to date.*

The XC2000 derivatives are shipped in several packages. [Figure 13-1](#) and [Figure 13-2](#) show the basic pin diagrams of the XC2000. They show the location of the different supply and IO pins. A detailed description of all the pins and their selectable functions can be found in the corresponding Data Sheet.

*Note: Not all alternate functions shown in [Figure 13-1](#) are supported by all derivatives. Please refer to the corresponding descriptions in the data sheets.*



**Figure 13-1 Pin Configuration PG-LQFP-144 Package (top view)**



**Figure 13-2 Pin Configuration PG-LQFP-100 Package (top view)**



Preliminary

**XC2000 Derivatives  
System Units (Vol. 1 of 2)**

---

**Device Specification**

## Keyword Index

This section lists a number of keywords which refer to specific details of the XC2000 in terms of its architecture, its functional units or functions. This helps to quickly find the answer to specific questions about the XC2000.

This User's Manual consists of two Volumes, "System Units" and "Peripheral Units". For your convenience this keyword index refers to both volumes, so you can immediately find the reference to the desired section in the corresponding document ([1] or [2]).

*Note: Registers are listed in a separate index: [Register Index](#).*

### A

Acronyms 1-9 [1]

Addressing Modes

    CoREG Addressing Mode 4-50 [1]

    DSP Addressing Modes 4-46 [1]

    Indirect Addressing Modes 4-44 [1]

    Long Addressing Modes 4-41 [1]

    Short Addressing Modes 4-39 [1]

ALU 4-57 [1]

### B

Baudrate

    Bootstrap Loader 10-9 [1]

Bit

    Handling 4-60 [1]

    Manipulation Instructions 12-2 [1]

    protected 4-61 [1]

    reserved 2-17 [1]

Block Diagram ITC / PEC 5-3 [1]

Bootstrap Loader 10-4 [1]

### C

CAN

    Block diagram 20-2 [2]

    Clock control 20-102 [2]

    Features 20-2 [2]

    Functional description 20-4 [2]

    Interrupt structure 20-105 [2]

    Module implementation 20-106 [2]

    MultiCAN

        Analysis mode 20-19 [2]

    Bit timing 20-10 [2]

    Block diagram 20-7 [2]

    Error handling 20-12 [2]

    Gateway mode 20-42 [2]

    Interrupts 20-13 [2]

    Message acceptance filtering  
    20-22 [2]

    Message object FIFO 20-37 [2]

    Message object lists 20-14 [2]

    Node control 20-10 [2]

Overview 20-4 [2]

Registers

    LISTIH **20-58 [2]**

    LISTIL **20-59 [2]**

    MCR **20-56 [2]**

    MITR **20-57 [2]**

    MOAMRnH **20-95 [2]**

    MOAMRnL **20-95 [2]**

    MOARnH **20-97 [2]**

    MOARnL **20-98 [2]**

    MOCTRnH **20-80 [2], 20-82 [2]**

    MOCTRnL **20-81 [2], 20-82 [2]**

    MODATAnHH **20-101 [2]**

    MODATAnHL **20-101 [2]**

    MODATAnLH **20-100 [2]**

    MODATAnLL **20-100 [2]**

    MOFCRnH **20-89 [2]**

    MOFCRnL **20-91 [2]**

    MOFGPRnH **20-93 [2]**

    MOFGPRnL **20-93 [2]**

    MOIPRnH **20-87 [2]**

**Preliminary**

**Keyword Index**

MOIPRnL **20-87 [2]**  
 MSIDk **20-61 [2]**  
 MSIMASKH **20-62 [2]**  
 MSIMASKL **20-62 [2]**  
 MSPNDkH **20-60 [2]**  
 MSPNDkL **20-60 [2]**  
 NBTRxH **20-72 [2]**  
 NBTRxL **20-73 [2]**  
 NCRx **20-63 [2]**  
 NECNTxH **20-74 [2]**  
 NECNTxL **20-74 [2]**  
 NFCRxH **20-76 [2]**  
 NFCRxL **20-77 [2]**  
 NIPRx **20-70 [2]**  
 NPCRx **20-71 [2]**  
 NSRx **20-66 [2]**  
 PANCTRH **20-51 [2]**  
 PANCTRL **20-51 [2]**  
 CAPCOM12  
     Capture Mode 17-14 [2]  
     Counter Mode 17-9 [2]  
 CAPCOM2 2-17 [1]  
 Capture Mode  
     GPT1 14-26 [2]  
     GPT2 (CAPREL) 14-48 [2]  
 Capture/Compare Registers 17-11 [2]  
 CCU6 2-19 [1]  
 Clock  
     generation 2-32 [1]  
 Clock System 6-2 [1]  
     Clock Control Unit 6-13 [1]  
     Clock Generation Unit 6-2 [1]  
     Clock Output 6-15 [1]  
     Crystal oscillator 6-3 [1]  
     Crystal Oscillator run detection 6-11 [1]  
     Emergency Clock Operation 6-14 [1]  
     PLL **6-5 [1]**  
         Switching parameters 6-12 [1]  
 Concatenation of Timers 14-22 [2],  
     14-47 [2]  
 Context  
     Pointer Updating 4-34 [1]  
     Switch 4-33 [1]

Switching 5-33 [1]  
 Count direction 14-6 [2], 14-36 [2]  
 Counter 14-20 [2], 14-45 [2]  
 Counter Mode (GPT1) 14-10 [2], 14-40 [2]  
 CPU 2-2 [1], 4-1 [1]

**D**

Data Management Unit (Introduction)  
     2-9 [1]  
 Data Page 4-42 [1]  
 Development Support 1-8 [1]  
 Direction  
     count 14-6 [2], 14-36 [2]  
 Disable  
     Interrupt 5-30 [1]  
 Division 4-62 [1]  
 Double-Register Compare 17-24 [2]  
 DPP 4-42 [1]

**E**

EBC  
     Bus Signals 9-3 [1]  
     Memory Table 9-33 [1]  
 Enable  
     Interrupt 5-30 [1]  
 End of PEC Interrupt Sub Node 5-29 [1]  
 ESRx 5-1 [1]  
 External  
     Bus 2-14 [1]  
     Interrupts 5-36 [1]  
 External Request Unit (ERU) 6-64 [1]  
     ERS 6-72 [1]  
     ETL 6-74 [1]  
     Internal Connections 6-76 [1]  
     OGU 6-77 [1]  
     Operation 6-64 [1]  
     Pin Connetions 6-66 [1]  
 External Service Request (ESR) 6-52 [1]  
     ESR Pad Control 6-57 [1]  
     ESR Reset 6-55 [1]  
     ESR Trap 6-56 [1]  
     ESR Wake-up 6-56 [1]  
     Operation 6-52 [1]

**F**

- Flags 4-56 [1]–4-59 [1]
- Fractional divider
  - Block diagram 20-108 [2]
  - Operating modes 20-110 [2]
  - Suspend mode 20-111 [2]

**G**

- Gated timer mode (GPT1) 14-9 [2]
- Gated timer mode (GPT2) 14-39 [2]
- Global State Controller (GSC) 6-156 [1]
  - Commands 6-157 [1]
  - Operation 6-156 [1]
  - Priorities 6-156 [1]
- GPT 2-20 [1]
- GPT1 14-2 [2]
- GPT2 14-32 [2]

**H**

- Hardware
  - Traps 5-41 [1]

**I**

- Incremental Interface Mode (GPT1)
  - 14-11 [2]
- Instruction 12-1 [1]
  - Bit Manipulation 12-2 [1]
  - Pipeline 4-11 [1]
  - protected 12-6 [1]
- Interface
  - External Bus 9-1 [1]
- Interrupt
  - Arbitration 5-4 [1]
  - Enable/Disable 5-30 [1]
  - External 5-36 [1]
  - Jump Table Cache 5-17 [1]
  - Latency 5-39 [1]
  - Node Sharing 5-35 [1]
  - Priority 5-7 [1]
  - Processing 5-1 [1]
  - RTC 15-13 [2]
  - System 2-8 [1], 5-2 [1]

**L**

- Latency
  - Interrupt, PEC 5-39 [1]
- LXBus 2-14 [1]

**M**

- Memory 2-10 [1]
- Multiplication 4-62 [1]

**O**

- OCDS
  - Requests 5-38 [1]

**P**

- PEC 2-10 [1], 5-19 [1]
  - Latency 5-39 [1]
  - Transfer Count 5-20 [1]
- Peripheral
  - Event Controller --> PEC 5-19 [1]
  - Summary 2-15 [1]
- Pins 8-1 [1]
- Pipeline 4-11 [1]
- Port 2-30 [1]
- Ports
  - Configuring a Pin 7-15 [1]
  - I/O Description Entry 7-6 [1]
  - Output register Pn\_OUT 7-10 [1]
  - Pad driver control 7-7 [1]
  - Structure
    - Analog 7-4 [1]
    - Hardware Override 7-3 [1]
    - Standard 7-2 [1]
- Power Control 6-90 [1]
  - Changing Core Voltage 6-126 [1]
  - Control of Core Voltage 6-115 [1]
  - EVR 6-115 [1]
  - Monitoring Core Voltage 6-97 [1]
  - PSC 6-128 [1]
  - PVC 6-97 [1]
  - Supply Watchdog (SWD) 6-91 [1]
- Program Management Unit (Introduction)
  - 2-9 [1]

**Preliminary****Keyword Index**

Protected

Bits 4-61 [1]

instruction 12-6 [1]

**R**

Real Time Clock (->RTC) 2-22 [1], 15-1 [2]

Reserved bits 2-17 [1]

Reset 6-33 [1]

Modules behavior 6-40 [1]

Reset Operation 6-33 [1]

Reset Types 6-33 [1]

CPU Reset 6-38 [1]

ESR Reset 6-37 [1]

Memory Parity Reset 6-38 [1]

OCDS Controlled Reset 6-38 [1]

Power-on Reset 6-37 [1]

Software Reset 6-38 [1]

Supply Watchdog Reset 6-37 [1]

Voltage Monitoring Reset 6-37 [1]

Watchdog Timer Reset 6-38 [1]

RTC 2-22 [1], 15-1 [2]

Registers

T14 15-8 [2]

T14REL 15-8 [2]

**S**

SCU

Identification 6-218 [1]

Interrupt 6-186 [1]

Buffering 6-210 [1]

Operation 6-187 [1]

Register Access 6-181 [1]

Register Overview 6-220 [1]

Trap 6-186 [1]

Buffering 6-210 [1]

Operation 6-200 [1]

Segmentation 4-37 [1]

Sharing

Interrupt Nodes 5-35 [1]

Software

Traps 5-41 [1]

SR0 5-46 [1]

SR1 5-46 [1]

Stack 4-52 [1]

**T**

Temperature Compensation Unit 6-165 [1]

Timer 14-2 [2], 14-32 [2]

Auxiliary Timer 14-15 [2], 14-41 [2]

Concatenation 14-22 [2], 14-47 [2]

Core Timer 14-4 [2], 14-34 [2]

Counter Mode (GPT1) 14-10 [2],  
14-40 [2]

Gated Mode (GPT1) 14-9 [2]

Gated Mode (GPT2) 14-39 [2]

Incremental Interface Mode (GPT1)  
14-11 [2]

Mode (GPT1) 14-8 [2]

Mode (GPT2) 14-38 [2]

Tools 1-8 [1]

Traps 5-41 [1]

**W**

Wake-up Timer 6-176 [1]

Watchdog 2-29 [1]

Watchdog Timer 6-168 [1]

Operation 6-168 [1]

Disable Mode 6-171 [1]

Normal Mode 6-170 [1]

Prewarning Mode 6-171 [1]

Suspend Mode 6-172 [1]



## Register Index

This section lists the registers of the XC2000. This helps to quickly find the reference to the description of the respective register.

This User's Manual consists of two Volumes, "System Units" and "Peripheral Units". For your convenience this register index refers to both volumes, so you can immediately find the reference to the desired section in the corresponding document ([1] or [2]).

*Note: Keywords are listed in a separate index: [Keyword Index](#).*

### A

ADC0\_KSCFG 16-24 [2]  
 ADCx\_ALR0 16-77 [2]  
 ADCx\_ASENR 16-37 [2]  
 ADCx\_CHCTR<sub>x</sub> 16-68 [2]  
 ADCx\_CHINCR 16-73 [2]  
 ADCx\_CHINFR 16-72 [2]  
 ADCx\_CHINPR<sub>x</sub> 16-74 [2]  
 ADCx\_CRCR<sub>x</sub> 16-43 [2]  
 ADCx\_CRMR<sub>x</sub> 16-45 [2]  
 ADCx\_CRPR<sub>x</sub> 16-44 [2]  
 ADCx\_EMCTR 16-102 [2]  
 ADCx\_EMENR 16-103 [2]  
 ADCx\_EVINCR 16-93 [2]  
 ADCx\_EVINFR 16-92 [2]  
 ADCx\_EVINPR<sub>x</sub> 16-94 [2]  
 ADCx\_GLOBCTR 16-26 [2]  
 ADCx\_GLOBSTR 16-28 [2]  
 ADCx\_INPR<sub>x</sub> 16-70 [2]  
 ADCx\_LCBR<sub>x</sub> 16-71 [2]  
 ADCx\_PISEL 16-31 [2]  
 ADCx\_Q0R<sub>x</sub> 16-57 [2]  
 ADCx\_QBUR<sub>x</sub> 16-59 [2]  
 ADCx\_QINR<sub>x</sub> 16-61 [2]  
 ADCx\_QMR<sub>x</sub> 16-52 [2]  
 ADCx\_QSR<sub>x</sub> 16-55 [2]  
 ADCx\_RCR<sub>x</sub> 16-90 [2]  
 ADCx\_RESRAV<sub>x</sub> 16-87 [2]  
 ADCx\_RESRA<sub>x</sub> 16-87 [2]  
 ADCx\_RESRV<sub>x</sub> 16-86 [2]  
 ADCx\_RESR<sub>x</sub> 16-86 [2]  
 ADCx\_RSPR<sub>x</sub> 16-38 [2]

ADCx\_RSSR 16-88 [2]  
 ADCx\_SYNCTR 16-104 [2]  
 ADCx\_VFR 16-89 [2]  
 ADDRSEL<sub>x</sub> 9-22 [1]

### B

BANKSEL<sub>x</sub> 5-34 [1]

### C

CAN\_LISTiH 20-58 [2]  
 CAN\_LISTiL 20-59 [2]  
 CAN\_MCR 20-56 [2]  
 CAN\_MITR 20-57 [2]  
 CAN\_MOAMRnH 20-95 [2]  
 CAN\_MOAMRnL 20-95 [2]  
 CAN\_MOARnH 20-97 [2]  
 CAN\_MOARnL 20-98 [2]  
 CAN\_MOCTRnH 20-80 [2]  
 CAN\_MOCTRnL 20-81 [2]  
 CAN\_MODATAnHH 20-101 [2]  
 CAN\_MODATAnHL 20-101 [2]  
 CAN\_MODATAnLH 20-100 [2]  
 CAN\_MODATAnLL 20-100 [2]  
 CAN\_MOFCRnH 20-89 [2]  
 CAN\_MOFCRnL 20-91 [2]  
 CAN\_MOFGPRnH 20-93 [2]  
 CAN\_MOFGPRnL 20-93 [2]  
 CAN\_MOIPRnH 20-87 [2]  
 CAN\_MOIPRnL 20-87 [2]  
 CAN\_MOSTATnH 20-82 [2]  
 CAN\_MOSTATnL 20-82 [2]  
 CAN\_MSIDk 20-61 [2]

**Preliminary**

**Register Index**

CAN\_MSIMASKH 20-62 [2]  
 CAN\_MSIMASKL 20-62 [2]  
 CAN\_MSPNDkH 20-60 [2]  
 CAN\_MSPNDkL 20-60 [2]  
 CAN\_NBTRxH 20-72 [2]  
 CAN\_NBTRxL 20-73 [2]  
 CAN\_NCRx 20-63 [2]  
 CAN\_NECNTxH 20-74 [2]  
 CAN\_NECNTxL 20-74 [2]  
 CAN\_NFCRxH 20-76 [2]  
 CAN\_NFCRxL 20-77 [2]  
 CAN\_NIPRx 20-70 [2]  
 CAN\_NPCRx 20-71 [2]  
 CAN\_NSRx 20-66 [2]  
 CAN\_PANCTR<sub>H</sub> 20-51 [2]  
 CAN\_PANCTR<sub>L</sub> 20-51 [2]  
 CAPREL 14-56 [2]  
 CC2\_CCyIC 17-36 [2]  
 CC2\_DRM 17-25 [2]  
 CC2\_IOC 17-31 [2]  
 CC2\_KSCCFG 17-39 [2]  
 CC2\_M4/5/6/7 17-11 [2]  
 CC2\_OUT 17-27 [2]  
 CC2\_SEE 17-29 [2]  
 CC2\_SEM 17-29 [2]  
 CC2\_T78CON 17-5 [2]  
 CC2\_T7IC 17-10 [2]  
 CC2\_T8IC 17-10 [2]  
 CCU6x\_CC63R 18-65 [2]  
 CCU6x\_CC63SR 18-65 [2]  
 CCU6x\_CC6xR 18-34 [2]  
 CCU6x\_CC6xSR 18-35 [2]  
 CCU6x\_CMPMODIF 18-40 [2]  
 CCU6x\_CMPSTAT 18-38 [2]  
 CCU6x\_IEN 18-98 [2]  
 CCU6x\_INP 18-101 [2]  
 CCU6x\_IS 18-91 [2]  
 CCU6x\_ISR 18-96 [2]  
 CCU6x\_ISS 18-94 [2]  
 CCU6x\_KSCCFG 18-111 [2]  
 CCU6x\_KSCSR 18-113 [2]  
 CCU6x\_MCFG 18-114 [2]  
 CCU6x\_MCMCTR 18-84 [2]

CCU6x\_MCMOUT 18-87 [2]  
 CCU6x\_MCMOUTS 18-86 [2]  
 CCU6x\_MODCTR 18-78 [2]  
 CCU6x\_PISELH 18-109 [2]  
 CCU6x\_PISELL 18-107 [2]  
 CCU6x\_PSLR 18-83 [2]  
 CCU6x\_T12 18-33 [2]  
 CCU6x\_T12DTC 18-36 [2]  
 CCU6x\_T12MSEL 18-41 [2]  
 CCU6x\_T12PR 18-33 [2]  
 CCU6x\_T13 18-63 [2]  
 CCU6x\_T13PR 18-64 [2]  
 CCU6x\_TCTR0 18-42 [2]  
 CCU6x\_TCTR2 18-45 [2]  
 CCU6x\_TCTR4 18-48 [2]  
 CCU6x\_TRPCTR 18-80 [2]  
 CP 4-36 [1]  
 CPUCON1 4-26 [1]  
 CPUCON2 4-27 [1]  
 CRIC 14-57 [2]  
 CSP 4-38 [1]

**D**

DPP0/1/2/3 4-42 [1]  
 DSTPx 5-24 [1]

**E**

EBCMOD0 9-13 [1]  
 EBCMOD1 9-15 [1]  
 EOPIE 5-28 [1]

**F**

FCONCS0 9-19 [1]  
 FCONCS1/2/3/4/7 9-20 [1]  
 FINT0/1ADDR 5-17 [1]  
 FINT0/1CSP 5-17 [1]  
 FL\_KSCCFG 3-64 [1]  
 FSR\_BUSY 3-57 [1]  
 FSR\_OP 3-57 [1]  
 FSR\_PROT 3-59 [1]

**G**

GPT12E\_CAPREL 14-56 [2]

**Preliminary**

**Register Index**

GPT12E\_CRIC 14-57 [2]  
 GPT12E\_KSCCFG 14-58 [2]  
 GPT12E\_T2,-T3,-T4 14-30 [2]  
 GPT12E\_T2/3/4IC 14-31 [2]  
 GPT12E\_T2CON 14-15 [2]  
 GPT12E\_T3CON 14-4 [2]  
 GPT12E\_T4CON 14-15 [2]  
 GPT12E\_T5,-T6 14-56 [2]  
 GPT12E\_T5/6IC 14-57 [2]  
 GPT12E\_T5CON 14-41 [2]  
 GPT12E\_T6CON 14-34 [2]

**I**

IDX0/1 4-46 [1]  
 IMBCTRH 3-54 [1]  
 IMBCTRL 3-52 [1]  
 INTCTR 3-55 [1]  
 IP 4-38 [1]

**M**

MAH 4-69 [1]  
 MAL 4-68 [1]  
 MAR 3-61 [1]  
 MCW 4-65 [1]  
 MDC 4-63 [1]  
 MDH 4-62 [1]  
 MDL 4-63 [1]  
 MEM\_KSCCFG 3-63 [1]  
 MKMEM0/1 3-76 [1]  
 MRW 4-72 [1]  
 MSW 4-70 [1]

**O**

ONES 4-74 [1]

**P**

PECCx 5-20 [1]  
 PECISNC 5-28 [1]  
 PECON 3-78 [1]  
 PECSEGx 5-24 [1]  
 Pn\_DIDIS  
   P15 7-17 [1]  
   P5 7-17 [1]

Pn\_IN 7-13 [1]  
 Pn\_IOCRx 7-14 [1]  
 Pn\_OMRH  
   P10 7-11 [1]  
   P2 7-11 [1]  
 Pn\_OMRL 7-11 [1]  
 Pn\_OUT 7-10 [1]  
 Pn\_POCON 7-8 [1]  
 Ports  
   Pn\_IN 7-13 [1]  
   Pn\_IOCRx 7-14 [1]  
   Pn\_OMR 7-11 [1]  
 PROCONx 3-62 [1]  
 PSW 4-56 [1]

**Q**

QR0/1 4-45 [1]  
 QX0/1 4-47 [1]

**R**

RELH/L 15-10 [2]  
 RTC\_CON 15-5 [2]  
 RTC\_IC 15-14 [2]  
 RTC\_ISNC 15-14 [2]  
 RTC\_KSCCFG 15-15 [2]  
 RTC\_RELH/L 15-10 [2]  
 RTC\_RTCH/L 15-9 [2]  
 RTC\_T14 15-8 [2]  
 RTC\_T14REL 15-8 [2]  
 RTCH/L 15-9 [2]

**S**

SBRAM\_DATA0 3-74 [1]  
 SBRAM\_DATA1 3-75 [1]  
 SBRAM\_RADD 3-72 [1]  
 SBRAM\_WADD 3-73 [1]

**SCU**

Registers

DMPMIT 6-211 [1]  
 DMPMITCLR 6-214 [1]  
 ESRCFG0 6-61 [1]  
 ESRCFG1 6-61 [1]  
 ESRCFG2 6-61 [1]

**Preliminary**

**Register Index**

ESRDAT 6-63 [1]	PVC1CON0 6-100 [1]
ESREXCON1 6-58 [1]	PVC1CONA1 6-106 [1]
ESREXCON2 6-59 [1]	PVC1CONA2 6-106 [1]
EVR1CON0 6-118 [1]	PVC1CONA3 6-106 [1]
EVR1SET10V 6-123 [1]	PVC1CONA4 6-106 [1]
EVR1SET15VHP 6-125 [1]	PVC1CONA5 6-106 [1]
EVR1SET15VLP 6-124 [1]	PVC1CONA6 6-106 [1]
EVRMCON0 6-117 [1]	PVC1CONB1 6-112 [1]
EVRMCON1 6-119 [1]	PVC1CONB3 6-112 [1]
EVRMSET10V 6-120 [1]	PVC1CONB4 6-112 [1]
EVRMSET15VHP 6-122 [1]	PVC1CONB5 6-112 [1]
EVRMSET15VLP 6-121 [1]	PVC1CONB6 6-112 [1]
EXICON0 6-85 [1]	PVCMCON0 6-98 [1]
EXICON1 6-85 [1]	PVCMCONA1 6-103 [1]
EXICON2 6-85 [1]	PVCMCONA2 6-103 [1]
EXICON3 6-85 [1]	PVCMCONA3 6-103 [1]
EXISEL 6-83 [1]	PVCMCONA4 6-103 [1]
EXOCON0 6-88 [1]	PVCMCONA5 6-103 [1]
EXOCON1 6-88 [1]	PVCMCONA6 6-103 [1]
EXOCON2 6-88 [1]	PVCMCONB1 6-109 [1]
EXOCON3 6-88 [1]	PVCMCONB2 6-109 [1]
EXTCON 6-31 [1]	PVCMCONB3 6-109 [1]
GSCEN 6-160 [1]	PVCMCONB4 6-109 [1]
GSCSTAT 6-163 [1]	PVCMCONB5 6-109 [1]
GSCSWREQ 6-160 [1]	PVCMCONB6 6-109 [1]
HPOSCCON 6-19 [1]	RSTCNTCON 6-50 [1]
IDCHIP 6-218 [1]	RSTCON0 6-47 [1]
IDMANUF 6-218 [1]	RSTCON1 6-48 [1]
IDMEM 6-219 [1]	RSTSTAT0 6-41 [1]
IDPROG 6-219 [1]	RSTSTAT1 6-42 [1]
INTCLR 6-192 [1]	RSTSTAT2 6-44 [1]
INTDIS 6-195 [1]	RTCCLKCON 6-31 [1]
INTNP0 6-196 [1]	SEQASTEP1 6-139 [1]
INTNP1 6-199 [1]	SEQASTEP2 6-144 [1]
INTSET 6-193 [1]	SEQASTEP3 6-144 [1]
INTSTAT 6-189 [1]	SEQASTEP4 6-144 [1]
ISSR 6-216 [1]	SEQASTEP5 6-144 [1]
PLLCON0 6-24 [1]	SEQASTEP6 6-144 [1]
PLLCON1 6-25 [1]	SEQBSTEP1 6-147 [1]
PLLCON2 6-26 [1]	SEQBSTEP2 6-152 [1]
PLLCON3 6-27 [1]	SEQBSTEP3 6-152 [1]
PLLOSCCON 6-21 [1]	SEQBSTEP4 6-152 [1]
PLLSTAT 6-22 [1]	SEQBSTEP5 6-152 [1]

SEQBSTEP6 6-152 [1]  
 SEQCON 6-134 [1]  
 SLC 6-183 [1]  
 SLS 6-184 [1]  
 STATCLR0 6-29 [1]  
 STATCLR1 6-30 [1]  
 STEP0 6-136 [1]  
 SWDCON0 6-94 [1]  
 SWDCON1 6-95 [1]  
 SWRSTCON 6-51 [1]  
 SYSCON0 6-28 [1]  
 SYSCON1 6-185 [1]  
 TCCR 6-166 [1]  
 TCLR 6-167 [1]  
 TRAPCLR 6-204 [1], 6-205 [1]  
 TRAPDIS 6-206 [1]  
 TRAPNP 6-207 [1]  
 TRAPSTAT 6-202 [1]  
 WDTCS 6-173 [1]  
 WDTREL 6-173 [1]  
 WDTTIM 6-175 [1]  
 WICR 6-178 [1]  
 WUCR 6-178 [1]  
 WUOSCCON 6-18 [1]  
 SCU\_STSTAT 6-46 [1]  
 SP 4-53 [1]  
 SPSEG 4-53 [1]  
 SRCPx 5-24 [1]  
 STKOV 4-55 [1]  
 STKUN 4-55 [1]  
 STSTAT 6-46 [1]

**T**

T14 15-8 [2]  
 T14REL 15-8 [2]  
 T2, T3, T4 14-30 [2]  
 T2/3/4IC 14-31 [2]  
 T2CON 14-15 [2]  
 T3CON 14-4 [2]  
 T4CON 14-15 [2]  
 T5, T6 14-56 [2]  
 T5/6IC 14-57 [2]  
 T5CON 14-41 [2]

T6CON 14-34 [2]  
 T7IC 17-10 [2]  
 T8IC 17-10 [2]  
 TCONCS0 9-16 [1]  
 TCONCS1/2/3/4 9-17 [1]  
 TFR 5-43 [1]

**U**

USIC\_BRGH 19-53 [2]  
 USIC\_BRGL 19-51 [2]  
 USIC\_BYP 19-91 [2]  
 USIC\_BYPCRH 19-93 [2]  
 USIC\_BYPCRL 19-91 [2]  
 USIC\_CCFG 19-31 [2]  
 USIC\_CCR 19-28 [2]  
 USIC\_DXxCR 19-42 [2]  
 USIC\_FDRH 19-50 [2]  
 USIC\_FDRL 19-49 [2]  
 USIC\_FMRH 19-71 [2]  
 USIC\_FMRL 19-70 [2]  
 USIC\_INPRH 19-36 [2]  
 USIC\_INPRL 19-35 [2]  
 USIC\_INx 19-107 [2]  
 USIC\_KSCFG 19-33 [2]  
 USIC\_OUTDRH 19-109 [2]  
 USIC\_OUTDRL 19-109 [2]  
 USIC\_OUTRH 19-108 [2]  
 USIC\_OUTRL 19-108 [2]  
 USIC\_PCRH 19-37 [2]  
 USIC\_PCRL 19-37 [2]  
 USIC\_PSCR 19-39 [2]  
 USIC\_PSR 19-38 [2]  
 USIC\_RBCTRH 19-103 [2]  
 USIC\_RBCTRL 19-103 [2]  
 USIC\_RBUF 19-79 [2]  
 USIC\_RBUF0 19-73 [2]  
 USIC\_RBUF01SRH 19-76 [2]  
 USIC\_RBUF01SRL 19-73 [2]  
 USIC\_RBUF1 19-76 [2]  
 USIC\_RBUFD 19-79 [2]  
 USIC\_RBUFSR 19-80 [2]  
 USIC\_SCTRH 19-62 [2]  
 USIC\_SCTRL 19-60 [2]

**Preliminary**

**Register Index**

USIC\_TBCTRH 19-100 [2]  
USIC\_TBCTRL 19-100 [2]  
USIC\_TBUFx 19-72 [2]  
USIC\_TCSRH 19-68 [2]  
USIC\_TCSRL 19-63 [2]  
USIC\_TRBPTRH 19-110 [2]  
USIC\_TRBPTRL 19-110 [2]  
USIC\_TRBSCR 19-98 [2]  
USIC\_TRBSRH 19-97 [2]  
USIC\_TRBSRL 19-94 [2]

**V**

VECSEG 5-11 [1]

**X**

xxIC (gen.) 5-6 [1]

**Z**

ZEROS 4-74 [1]

[www.infineon.com](http://www.infineon.com)

Published by Infineon Technologies AG