



**ATTENTION**  
OBSERVE PRECAUTIONS  
FOR HANDLING  
ELECTROSTATIC  
DISCHARGE  
SENSITIVE  
DEVICES

KPTF-3216PBVGSURKC

BLUE  
GREEN  
HYPER RED

### PRELIMINARY SPEC

#### Features

- 3.2mmx1.6mm SMT LED, 0.75mm THICKNESS.
- LOW POWER CONSUMPTION.
- ONE BLUE, ONE GREEN AND ONE RED CHIPS IN ONE PACKAGE.
- CAN PRODUCE ANY COLOR IN VISIBLE SPECTRUM, INCLUDING WHITE LIGHT.
- PACKAGE : 2000PCS / REEL.
- RoHS COMPLIANT

#### Description

The Blue source color devices are made with InGaN on SiC Light Emitting Diode.

The Green source color devices are made with InGaN on SiC Light Emitting Diode.

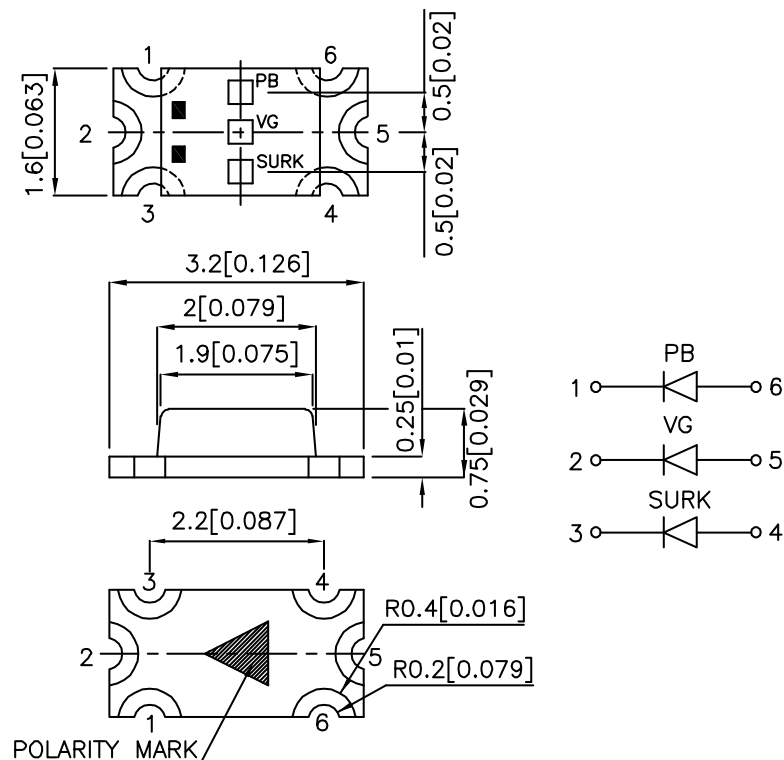
The Hyper Red source color devices are made with DH InGaAlP on GaAs substrate Light Emitting Diode.

Static electricity and surge damage the LEDs.

It is recommended to use a wrist band or anti-electrostatic glove when handling the LEDs.

All devices, equipment and machinery must be electrically grounded.

#### Package Dimensions



**Notes:**

1. All dimensions are in millimeters (inches).
2. Tolerance is  $\pm 0.2(0.008)$  unless otherwise noted.
3. Specifications are subjected to change without notice.

## Selection Guide

Part No.	Dice	Lens Type	Iv (mcd) @ 20mA		Viewing Angle
			Min.	Typ.	2θ1/2
KPTF-3216PBVGSURKC	BLUE (InGaN)	WATER CLEAR	50	100	120°
	GREEN (InGaN)		70	150	
	HYPER RED (InGaAlP)		70	150	

Note:

1. θ1/2 is the angle from optical centerline where the luminous intensity is 1/2 the optical centerline value.

## Electrical / Optical Characteristics at TA=25°C

Symbol	Parameter	Device	Typ.	Max.	Units	Test Conditions
λpeak	Peak Wavelength	Blue Green Hyper Red	468 520 650		nm	IF=20mA
λD	Dominant Wavelength	Blue Green Hyper Red	470 525 635		nm	IF=20mA
Δλ1/2	Spectral Line Half-width	Blue Green Hyper Red	25 38 28		nm	IF=20mA
C	Capacitance	Blue Green Hyper Red	65 45 35		pF	VF=0V;f=1MHz
VF	Forward Voltage	Blue Green Hyper Red	3.65 3.5 1.95	4.2 4.5 2.5	V	IF=20mA
IR	Reverse Current	Blue Green Hyper Red		10 10 10	uA	VR= 5V

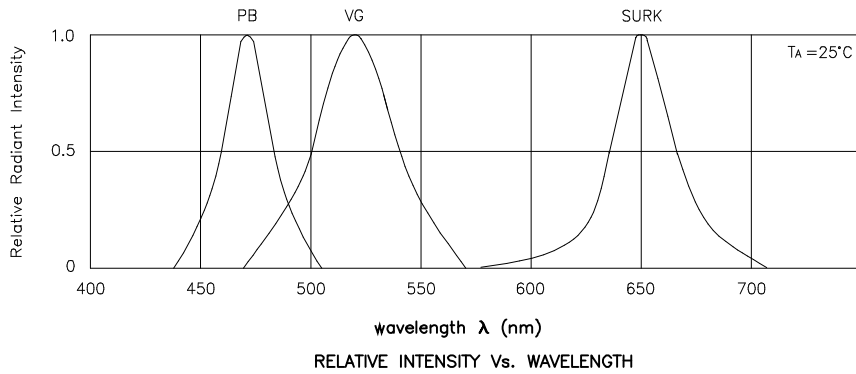
## Absolute Maximum Ratings at TA=25°C

Parameter	Blue	Green	Hyper Red	Units
Power dissipation	102	105	170	mW
DC Forward Current	30	30	30	mA
Peak Forward Current [1]	160	150	185	mA
Reverse Voltage	5			V
Operating / Storage Temperature	-40°C TO +85°C			

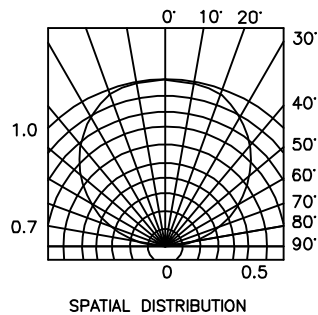
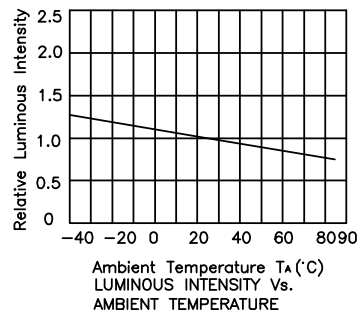
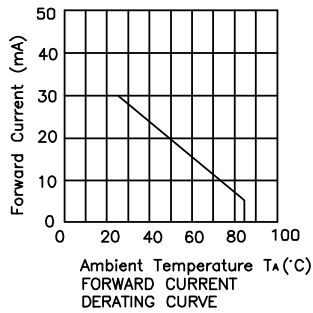
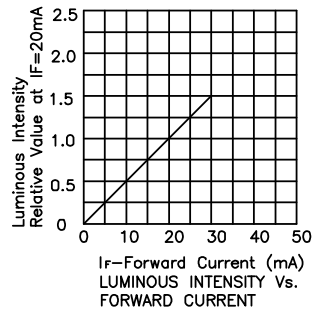
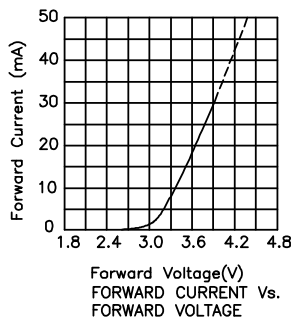
Note:

1. 1/10 Duty Cycle, 0.1ms Pulse Width.

# Kingbright

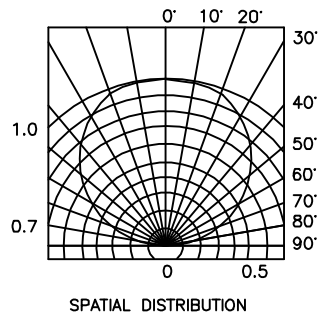
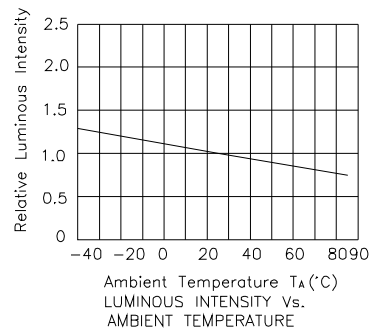
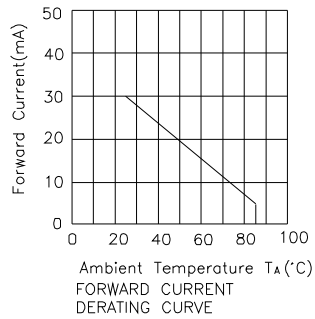
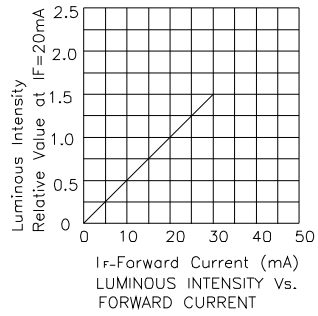
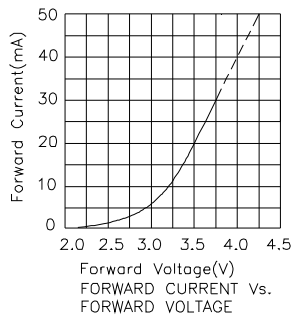


## KPTF-3216PBVGSURKC Blue



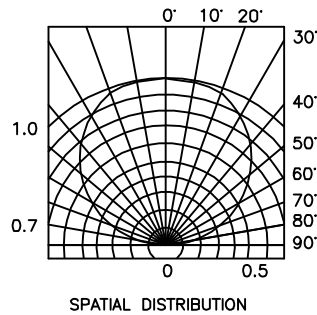
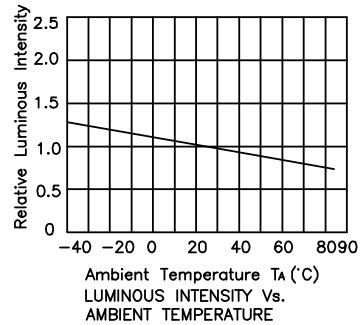
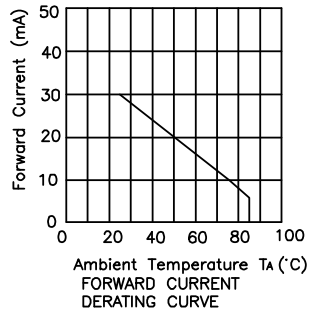
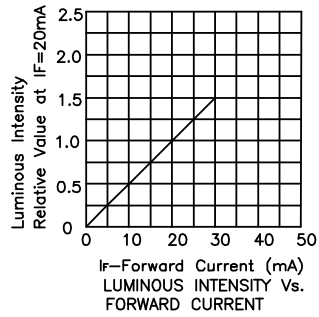
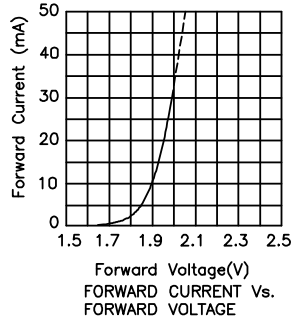
# Kingbright

## Green



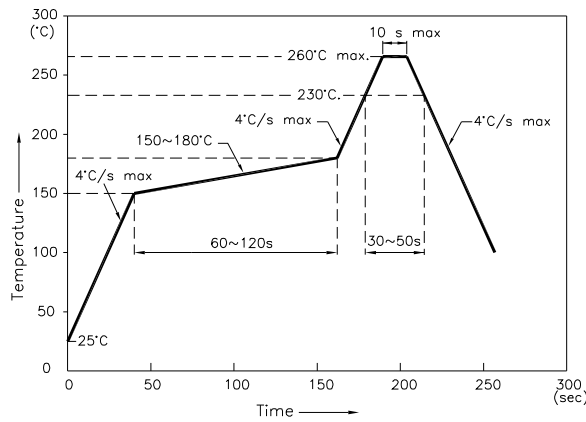
# Kingbright

## Hyper Red



## KPTF-3216PBVGSURKC

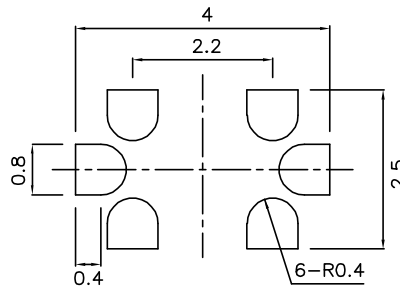
Reflow Soldering Profile For Lead-free SMT Process.



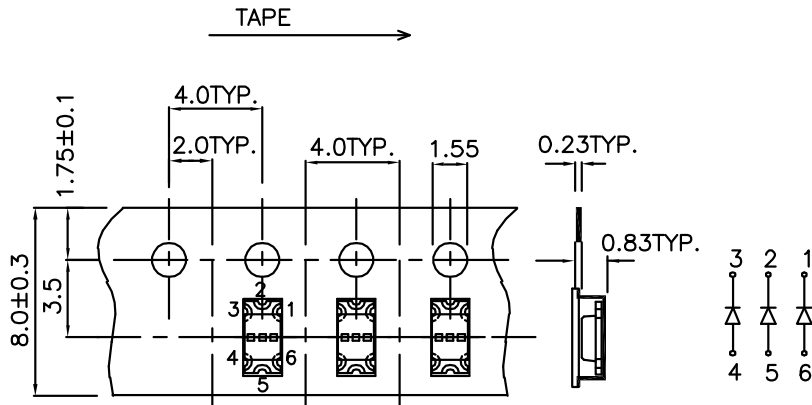
**NOTES:**

1. We recommend the reflow temperature 245°C(+/-5°C), The maximum soldering temperature should be limited to 260°C.
2. Don't cause stress to the epoxy resin while it is exposed to high temperature.
3. Number of reflow process shall be 2 times or less.

### Recommended Soldering Pattern (Units : mm)



### Tape Specifications (Units : mm)



**Remarks:**

If special sorting is required (e.g. binning based on forward voltage, Luminous intensity/ luminous flux, or wavelength), the typical accuracy of the sorting process is as follows:

1. Wavelength: +/-1nm
2. Luminous intensity/ luminous flux: +/-15%
3. Forward Voltage: +/-0.1V

Note: Accuracy may depend on the sorting parameters.