

LV-PECL 7x5mm 3.3V Oscillator



F4600 SERIES

RoHS Compliant / Pb Free

Rev. 2/14/2008

Page 1 of 2

http://www.foxonline.com/need_a_sample.htm

FEATURES

- 3.3V Operation
- LV-PECL Output
- Complementary Outputs
- Standby Function
- Tape and Reel (2,000 pcs. STD)

OPTIONS

- 2.5V Version (F4620)
- Pin 2 E/D (A Series)

Need a
Sample®

• PART NUMBER SELECTION [Learn More - Internet Required](#)

Part Number	Model Number	Frequency Stability ¹	Operating Temperature (°C)	Frequency Range (MHz)
535-Frequency-xxxxx	F4600	±100PPM	-10 ~ +70	41.660 ~ 280.000
536-Frequency-xxxxx	F4600R	±100PPM	-40 ~ +85	41.660 ~ 170.000
537-Frequency-xxxxx	F4605	±50PPM	-10 ~ +70	41.660 ~ 280.000
538-Frequency-xxxxx	F4605R	±50PPM	-40 ~ +85	41.660 ~ 170.000
539-Frequency-xxxxx	F4606	±25PPM	-10 ~ +70	41.660 ~ 210.000
540-Frequency-xxxxx	F4606R	±25PPM	-40 ~ +85	41.660 ~ 170.000
541-Frequency-xxxxx	F4608	±20PPM	-10 ~ +70	41.660 ~ 170.000

• ELECTRICAL CHARACTERISTICS

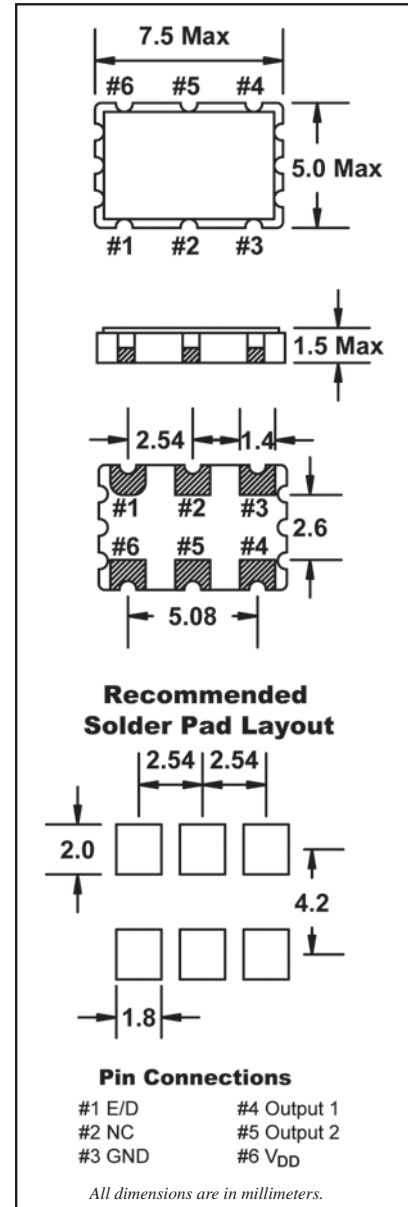
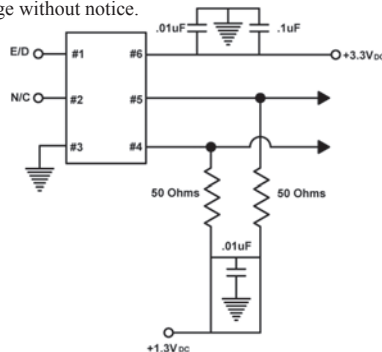
PARAMETERS	MAX (unless otherwise noted)
Frequency Range (Fo)	41.660 ~ 280.000 MHz
Storage Temperature Range (TSTG)	-55°C ~ +125°C
Supply Voltage (VDD)	3.3V ± 5%
Input Current (IDD)	
41.660 Mhz ~ 250.000 MHz	60mA
250.000+ Mhz ~ 280.000 MHz	88mA
Output Symmetry (50% Vp-p Level)	
41.660 MHz ~ 170.000 MHz	45% ~ 55%
170.000 Mhz ~ 280.000 MHz	40% ~ 60%
Rise Time (Tr) (20% ~ 80% Vp-p)	1nS
Fall Time (Tf)(80% ~ 20% Vp-p)	1nS
Output Voltage (VOL)	1.7V
(VOH)	2.2V Min
Standby Current	30µA
Output Load	See Recommended Circuit
Start-up Time (Ts)	10mS
Output Disable Time ²	100nS
Output Enable Time ²	10mS
Jitter	
12kHz ~ 20MHz	0.3pS Typ.
RMS Period	2.5pS Typ.
Cycle-to-Cycle	20pS Typ.

¹ Inclusive of 25°C tolerance, operating temperature range, input voltage change, load change, aging, shock, and vibration.

² An internal pullup resistor from pin 1 to pin 6 allows active output if pin 1 is left open.

Note: A 0.01µF bypass capacitor should be placed between VDD (Pin 6) and GND (Pin 3) to minimize power supply line noise.

All specifications subject to change without notice.



LV-PECL 7x5mm 3.3V Oscillator



F4600 SERIES

RoHS Compliant / Pb Free

Rev. 2/14/2008

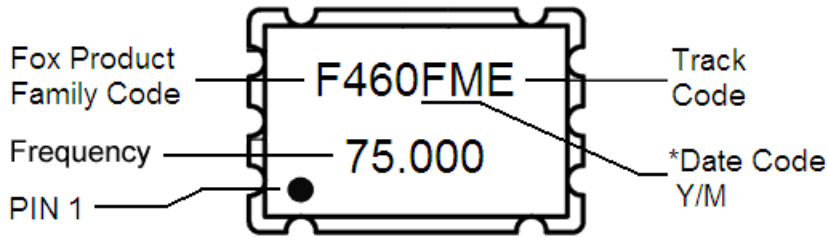
Page 2 of 2

http://www.foxonline.com/need_a_sample.htm

Need a
Sample®

F4600 Series Marking Identification

Models: F4600, F4600R, F4605, F4605R, F4606, F4606R & F4608



* Year / Month Date Codes

Year	2002	2003	2004	2005	2006	2007	2008	2009	2010	2011	2012	2013
Code	A	B	C	D	E	F	G	H	J	K	L	M
Month	JAN	FEB	MAR	APR	MAY	JUNE	JULY	AUG	SEPT	OCT	NOV	DEC
Code	A	B	C	D	E	F	G	H	J	K	L	M

• TAPE SPECIFICATIONS (millimeters)

MODEL	A	B	C	D	E	F	STD Reel QTY
F4600 Series	∅1.5	4.0	8.0	7.5	16.0	2.15	2,000

• REEL SPECIFICATIONS (millimeters)

MODEL	G	H	I	J	K	L	M
F4600 Series	2.0	∅13	∅21	∅80	∅255	17.5	2.0

