



SMT power inductors

Low profile
Size 3.8 x 3.6 x 1.2 (mm)

Series/Type: **B82469G1**
Date: February 2008

Size 3.8 × 3.6 × 1.2 (mm)

Preliminary data

Rated inductance 0.39 μH to 22 μH

Rated current 0.53 A to 2.8 A



Construction

- Magnetically shielded
- Special ferrite core shape
- Winding: enamel copper wire
- Winding welded to terminals

Features

- Low profile
- High rated current
- Low DC resistance
- Suitable for lead-free reflow soldering
- RoHS-compatible

Applications

- Filtering of supply voltages
- Coupling, decoupling
- DC/DC converters
- Handheld devices
- EDP (Electronic Data Processing)
- Consumer electronics

Terminals

- Base material CuSn₆P
- Layer composition Ni, Sn (lead-free)
- Electro-plated

Marking

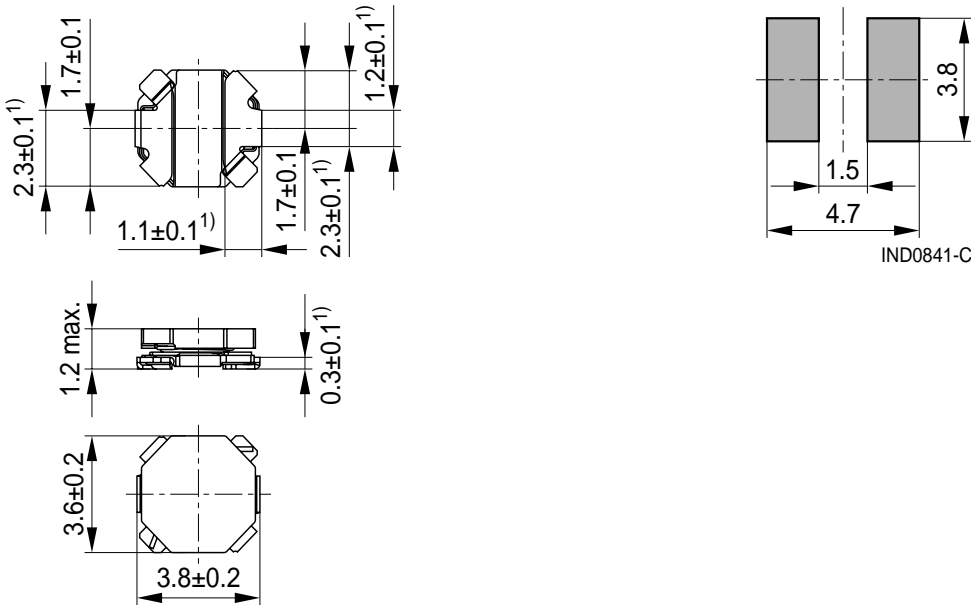
- Marking on component: To be defined
- Minimum data on reel:
Manufacturer, ordering code, L value,
quantity, date of packing

Delivery mode and packing unit

- 12-mm blister tape, wound on 180-mm Ø reel
- Packing unit: 1000 pcs./reel

Preliminary data

Dimensional drawing and layout recommendation



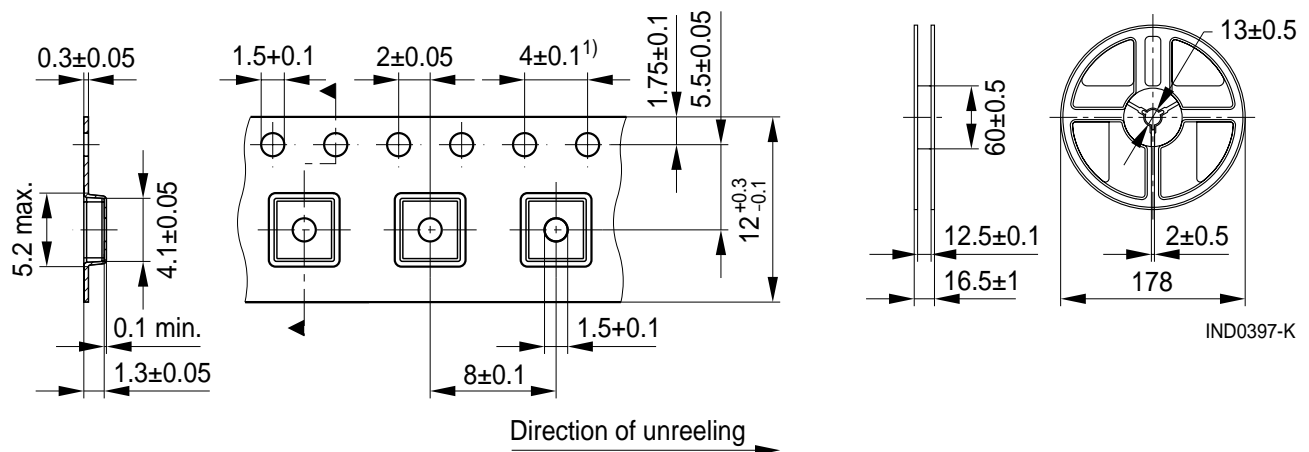
1) Soldering area IND0840-Z-E

Dimensions in mm

Taping and packing

Blister tape

Reel



1) Limit tolerance over 10 pitches ±0.2

IND0833-N-E

Dimensions in mm

Preliminary data
Technical data and measuring conditions

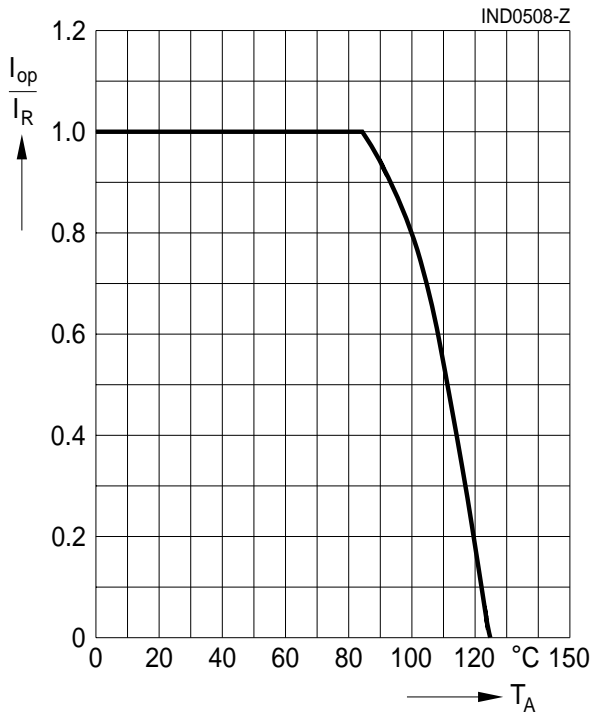
Rated inductance L_R	Measured with LCR meter Agilent 4284A at frequency f_L , 0.1 V, 20 °C
Rated temperature T_R	85 °C
Rated current I_R	Max. permissible DC with temperature increase of ≤ 40 K at rated temperature
Saturation current $I_{sat,typ}$	Max. permissible DC with inductance decrease $\Delta L/L_0$ of approx. 30%, typical values
DC resistance R_{typ}	Measured at 20 °C, typical values
Solderability (lead-free)	Dip and look methode Sn95.5Ag3.8Cu0.7: (245 ±5) °C, (3 ±0.3) s Wetting of soldering area $\geq 90\%$ (based on IEC 60068-2-58)
Resistance to soldering heat	260 °C, 10 s (based on IEC 60068-2-58)
Climatic category	55/125/56 (to IEC 60068-1)
Storage conditions	Mounted: -55 °C ... +125 °C Packaged: -25 °C ... +40 °C, $\leq 75\%$ RH
Weight	Approx. 0.2 g

Characteristics and ordering codes

L_R μH	Tolerance	f_L MHz	I_R A	$I_{sat,typ}$ A	R_{typ} Ω	Ordering code
0.39	$\pm 20\% \triangleq M$	0.1	2.80	3.00	0.016	B82469G1391M000
0.91		0.1	2.00	1.95	0.033	B82469G1911M000
1.5		0.1	1.70	1.55	0.046	B82469G1152M000
2.2		0.1	1.55	1.33	0.065	B82469G1222M000
3.3		0.1	1.30	1.10	0.085	B82469G1332M000
4.7		0.1	1.20	1.00	0.13	B82469G1472M000
6.8		0.1	0.90	0.80	0.17	B82469G1682M000
10		0.1	0.80	0.66	0.27	B82469G1103M000
15		0.1	0.60	0.57	0.37	B82469G1153M000
22		0.1	0.53	0.45	0.53	B82469G1223M000

Preliminary data

Current derating I_{op}/I_R
versus ambient temperature T_A
(rated temperature $T_R = 85\text{ °C}$)



Cautions and warnings

- Please note the recommendations in our data book “Chokes and Inductors” (latest edition).
 - Particular attention should be paid to the derating curves given there.
 - The soldering conditions should also be observed. Temperatures quoted in relation to wave soldering refer to the pin, not the housing.
- If the components are to be washed varnished it is necessary to check whether any washing varnish agent that is used has a negative effect on the wire insulation, any plastics that are used, or on glued joints. In particular, it is possible for washing varnish agent residues to have a negative effect in the long-term on wire insulation.
- The following points must be observed if the components are potted in customer applications:
 - Many potting materials shrink as they harden. They therefore exert a pressure on the plastic housing or core. This pressure can have a deleterious effect on electrical properties, and in extreme cases can damage the core mechanically.
 - It is necessary to check whether the potting material used attacks or destroys the wire insulation, plastics or glue.
 - The effect of the potting material can change the high-frequency behaviour of the components.
- Ferrites are sensitive to direct impact.
This can cause the core material to flake, or lead to breakage of the core.

Even for customer-specific products, conclusive validation of the component in the circuit can only be carried out by the customer.

Important notes

The following applies to all products named in this publication:

1. Some parts of this publication contain **statements about the suitability of our products for certain areas of application**. These statements are based on our knowledge of typical requirements that are often placed on our products in the areas of application concerned. We nevertheless expressly point out **that such statements cannot be regarded as binding statements about the suitability of our products for a particular customer application**.

As a rule, EPCOS is either unfamiliar with individual customer applications or less familiar with them than the customers themselves. For these reasons, it is always ultimately incumbent on the customer to check and decide whether an EPCOS product with the properties described in the product specification is suitable for use in a particular customer application.

2. We also point out that **in individual cases, a malfunction of passive electronic components or failure before the end of their usual service life cannot be completely ruled out in the current state of the art, even if they are operated as specified**. In customer applications requiring a very high level of operational safety and especially in customer applications in which the malfunction or failure of a passive electronic component could endanger human life or health (e.g. in accident prevention or life-saving systems), it must therefore be ensured by means of suitable design of the customer application or other action taken by the customer (e.g. installation of protective circuitry or redundancy) that no injury or damage is sustained by third parties in the event of malfunction or failure of a passive electronic component.

3. **The warnings, cautions and product-specific notes must be observed.**

4. In order to satisfy certain technical requirements, **some of the products described in this publication may contain substances subject to restrictions in certain jurisdictions (e.g. because they are classed as hazardous)**. Useful information on this will be found in our Material Data Sheets on the Internet (www.epcos.com/material). Should you have any more detailed questions, please contact our sales offices.

5. We constantly strive to improve our products. Consequently, **the products described in this publication may change from time to time**. The same is true of the corresponding product specifications. Please check therefore to what extent product descriptions and specifications contained in this publication are still applicable before or when you place an order.

We also **reserve the right to discontinue production and delivery of products**. Consequently, we cannot guarantee that all products named in this publication will always be available.

The aforementioned does not apply in the case of individual agreements deviating from the foregoing for customer-specific products.

6. Unless otherwise agreed in individual contracts, **all orders are subject to the current version of the “General Terms of Delivery for Products and Services in the Electrical Industry” published by the German Electrical and Electronics Industry Association (ZVEI)**.

7. The trade names EPCOS, BAOKE, Alu-X, CeraDiode, CSSP, DSSP, MiniBlue, MKK, MLSC, MotorCap, PCC, PhaseCap, PhaseMod, SIFERRIT, SIFI, SIKOREL, SilverCap, SIMDAD, SIMID, SineFormer, SIOV, SIP5D, SIP5K, ThermoFuse, WindCap are **trademarks registered or pending** in Europe and in other countries. Further information will be found on the Internet at www.epcos.com/trademarks.