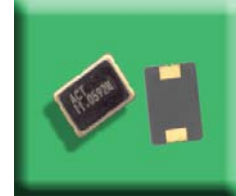


## ACT753SMX-2

The **ACT753SMX-2** is a 2 pad, high quality, low aging SMD Crystal in a ceramic base / metal lid package, seam welded for good long term reliability. The lid is grounded through the package to assist with EMI issues and the pads are gold plated. It's wide frequency range and frequency tolerance / stability options make the device ideal for many applications including Notebook, PCMCIA, Instrumentation, Microprocessor Systems & Communications Equipment.

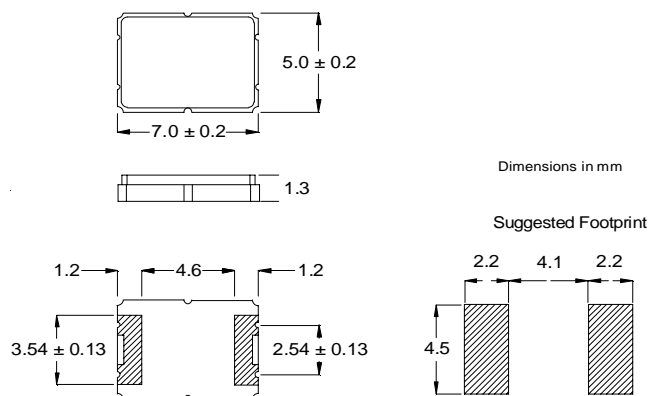
Compatible with Eu Directive  
 2002/95/EC - RoHS  
 Contains Pb in sealing glass  
 exempted from Article 4(1)  
 of the directive



### Specification

Parameter	Symbol	Specification	Condition
Frequency Range	fo	8.00 ~ 120MHz	
Frequency Tolerance	$\Delta f/f_0$	$\pm 10\text{ppm} \sim 50\text{ppm}$	@25°C
Stability over temp range	Tc	$\pm 10\text{ppm} \sim 30\text{ppm}$	Please specify
Temp Operating Range	Topr	-20 ~ +70°C to -40 ~ +85°C	Please specify
Temp Storage Range	Tstg	-40 ~ +85°C	
Equivalent Series Resistance	ESR	See table below	
Load Capacitance	CL	6 ~ 30pF, 18pF std.	
Shunt Capacitance	C0	7pF	
Drive Level	DL	100 $\mu$ W max	
Insulation Resistance	IR	500M $\Omega$ min	@100V DC
Aging	Fa	$\pm 5\text{ppm} / \text{year max}$	@25°C

Freq. Range (MHz)	ESR ( $\Omega$ ) max	Mode
8.0 ~ 10.0	80	Fundamental
10.1 ~ 15.9	60	Fundamental
16.0 ~ 45.0	40	Fundamental
32.0 ~ 120.0	80	Third Overtone



Please note that all parameters can not necessarily be specified in the same device

Customer to specify : Frequency, Frequency Tolerance, Temperature Stability, Operating Temperature & Load Capacitance

In line with our ongoing policy of product evolution and improvement, the above specification may be subject to change without notice

ISO9001:2000 Registered

For quotations or further information please contact us at:

3 The Business Centre, Molly Millars Lane, Wokingham, Berkshire, RG41 2EY, UK

<http://www.actcrystals.com>

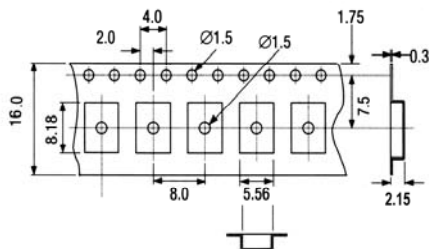
Issue: 4 D2

Date: 17/08/04

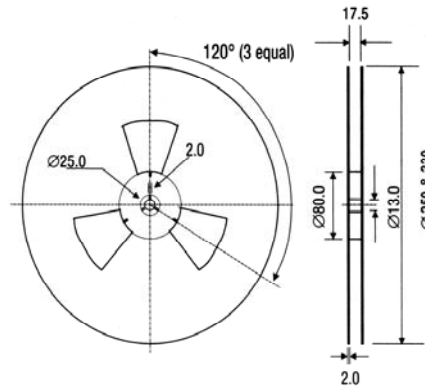
## ACT753/SMX -2 TAPE & REEL SPECIFICATIONS

### Tape / Reel Dimensions ( Units in mm )

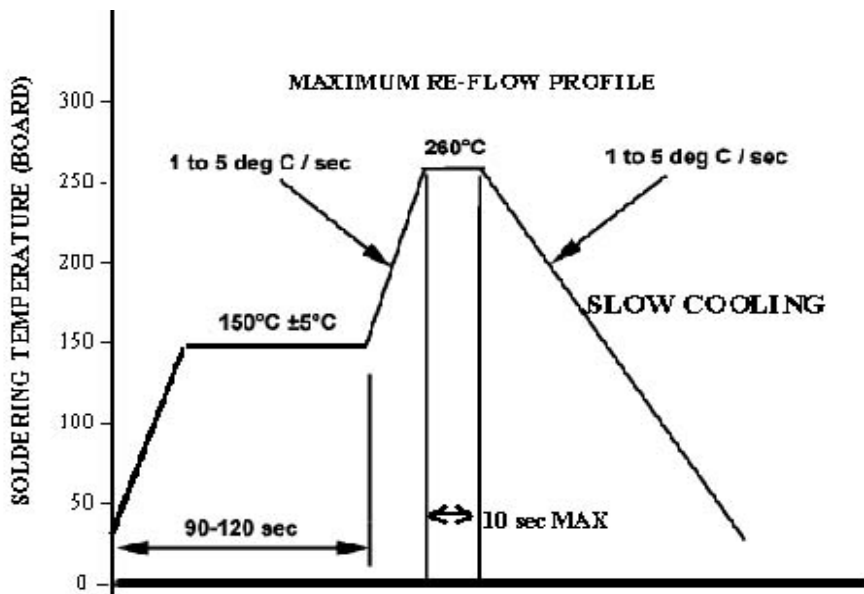
Outline in mm - Tape



Outline in mm - Reel



## ACT753/SMX -2 SOLDERING SPECIFICATIONS



Please note that all parameters can not necessarily be specified in the same device  
 Customer to specify : Frequency, Type, Stability, Operating Temperature Range, Supply Voltage.

In line with our ongoing policy of product evolution and improvement, the above specification may be subject to change without notice

ISO9001:2000 Registered

For quotations or further information please contact us at:  
 3 The Business Centre, Molly Millars Lane, Wokingham, Berkshire, RG41 2EY, UK  
<http://www.actcrystals.com>

Issue: 4 D2  
 Date: 17/08/04