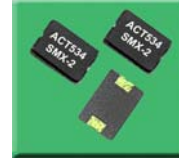


Compatible with Eu Directive
 2002/95/EC - RoHS
 Contains Pb in sealing glass
 exempted from Article 4(1)
 of the directive

ACT534SMX-2

The ACT534SMX-2 family is a low cost, 2 pad, high quality, low aging 5x3.2mm SMD Crystal in a ceramic base / ceramic lid package, glass sealed for good reliability. The wide frequency range and specification options ensure suitability for many applications.

APPLICATIONS: Instrumentation, Notebook, Security, Games, Audio-visual, Office automation, Micro Clock, Process Control & Consumer.



Specification

Parameter	Symbol	Specification	Condition
Frequency Range	fo	10.0 ~ 120.0MHz	Please specify
Frequency Tolerance (@25°C)	$\Delta f/fo$	$\pm 20, \pm 30$ & ± 50 ppm(Std)	Please specify
Stability over temp range	Tc	± 20 ppm ~ 50ppm (See table 2)	Please specify
Temp Operating Range	Topr	0~+50°C ~ -20~+70°C (See table 2)	Please specify
Temp Storage Range	Tstg	-40 ~+85°C	
Equivalent Series Resistance	ESR	See table 1	
Load Capacitance	CL	16pF ~ 50pF & Series	(16, 20 & 30pF Standard please specify)
Shunt Capacitance	C0	5pF max	
Drive Level	DL	100 μ W typical (500 μ W max)	(Custom available - Please enquire)
Drive Level Dependency	DLD	ESR min to max <1.3 FL min to max <1.3	0.01, 0.1,1,10,100,500 μ W steps
Insulation Resistance	IR	500M Ω min	@100V DC
Aging	Fa	± 5 ppm p/year*	(First year max @ 25°C)

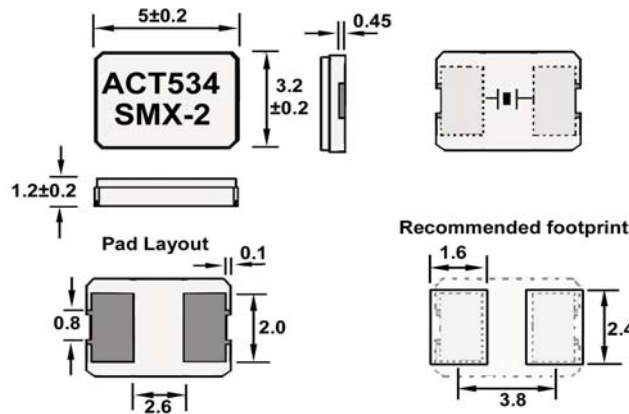
* A ± 3 ppm aging p/year part is available as a "semi-custom" device - Please enquire.

Table 1

Frequency Range (MHz)	ESR (Ω) max	Mode / Cut
10.000 ~ 11.999	80	Fundamental / AT
12.000 ~ 14.999	50	Fundamental / AT
15.000 ~ 49.090	40	Fundamental / AT
45.000 ~ 79.999	90	3 RD Overtone / AT
80.000 ~ 100.000	90	3 RD Overtone / AT

Pad Surface Material: Gold (Au)

Dimensions (mm)



Please note that all parameters can not necessarily be specified in the same device

Customer to specify : Frequency, Frequency Tolerance, Temperature Stability, Operating Temperature & Load Capacitance

In line with our ongoing policy of product evolution and improvement, the above specification may subject to change without notice

ISO9001:2000 Registered

For quotations or further information please contact us at:

3 The Business Centre, Molly Millars Lane, Wokingham, Berkshire, RG41 2EY, UK

<http://www.actcrystals.com>

Issue 3 C1F
 Date 24/01/07

ACT534SMX-2

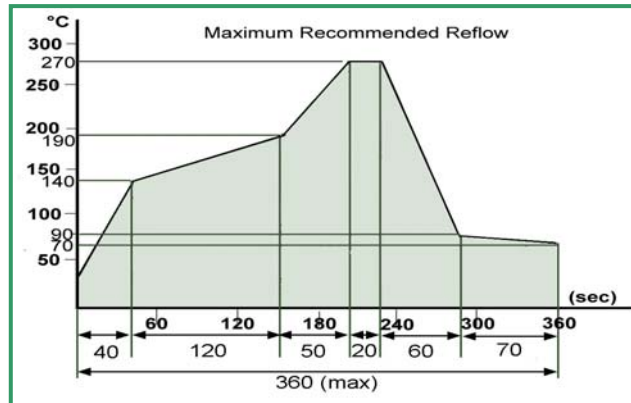
Table 2

Stability Temp	+/- 5ppm	+/- 10ppm	+/- 20ppm	+/- 30ppm	+/- 50ppm
0~+50°C			+	+	+
-10~+60°C			+	+	+
-20~+70°C			+	+	+
-30~+80°C					
-40~+85°C					

+

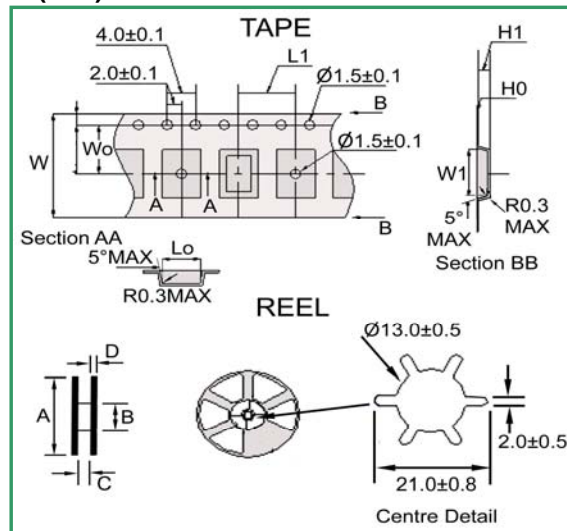
Standard stabilities

Standard Re-flow Profile



Tape & Reel Specification (mm)

(1K pcs each reel)



Tolerance Dimension	TAPE								REEL			
	W	Wo	W1	Lo	L1	Ho	H1	A	B	C	D	
	±0.3	±0.05	±0.1	±0.1	±0.1	±0.05	±0.1	±1	±1	±0.5	±0.5	
	12.0	5.5	5.5	3.5	8.0	0.3	1.6	180	80	13.5	2.0	

In line with our ongoing policy of product evolution and improvement, the above specification may subject to change without notice

ISO9001:2000 Registered

For quotations or further information please contact us at:
 3 The Business Centre, Molly Millars Lane, Wokingham, Berkshire, RG41 2EY, UK

<http://www.actcrystals.com>

Issue 3 C1F
 Date 24/01/07