

OPE5194

The **OPE5194** is GaAs infrared emitting diode that is designed for low forward voltage and high reliability. This device is optimized for efficiency at emission wavelength 940nm and has a high radiant efficiency over a wide range of forward current. This device is packaged T1-3/4 plastic package and has narrow beam angle with lensed package and cup frame.

FEATURES

- High-output power
- Narrow beam angle
- High reliability
- Available for pulse operating
- Low cost

APPLICATIONS

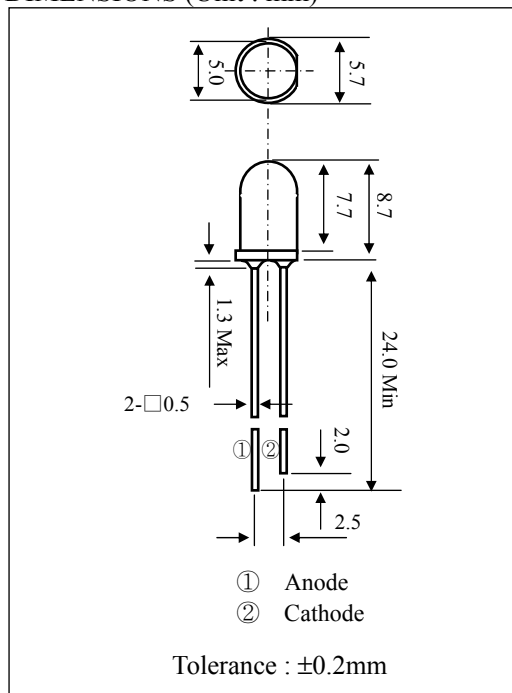
- Optical emitters
- Optical switches
- Smoke sensors
- IR remote control
- IR sound transmission

STORAGE

- Condition : 5°C~35°C,R.H.60%
- Terms : within 3 months from production date
- Remark : Once the package is opened, the products should be used within a day. Otherwise, it should be keeping in a damp proof box with desiccants.

* Please take proper steps in order to secure reliability and safety in required conditions and environments for this device.

DIMENSIONS (Unit : mm)



MAXIMUM RATINGS

(Ta=25°C)

Item	Symbol	Rating	Unit
Power Dissipation	P _D	150	mW
Forward current	I _F	100	mA
Pulse forward current	I _{FP}	1.0	A
Reverse voltage	V _R	5.0	V
Operating temp.	T _{opr.}	-25~ +85	°C
Soldering temp.	T _{sol.}	260.	°C

*1. Duty ratio = 1/100, pulse width=0.1ms.

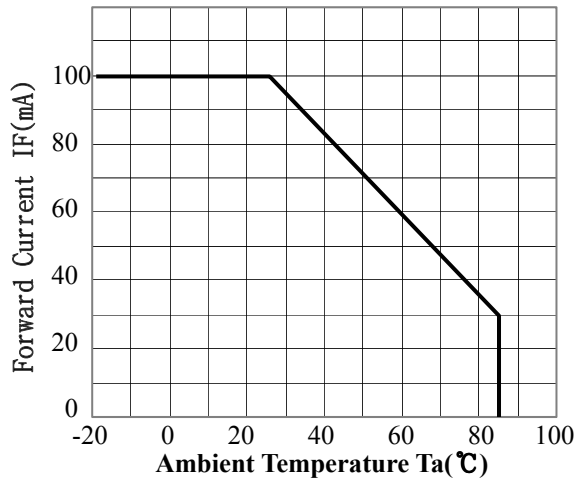
*2. Lead Soldering Temperature (2mm from case for 5sec.).

ELECTRO-OPTICAL CHARACTERISTICS

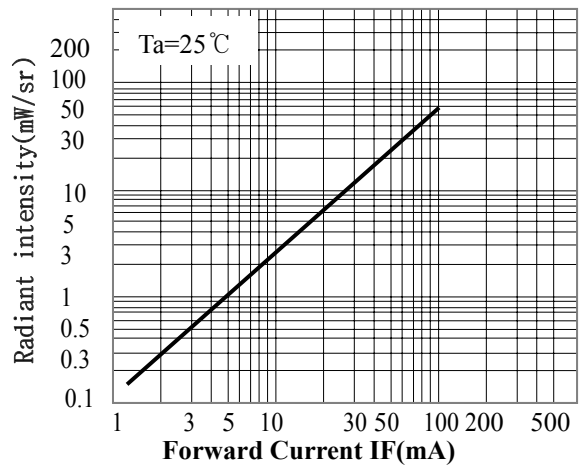
(Ta=25°C)

Item	Symbol	Conditions	Min.	Typ.	Max.	Unit
Forward voltage	V _F	I _F =100mA		1.4	1.7	V
Reverse current	I _R	V _R = 5V			10	μA
Capacitance	C _t	f = 1MHz		20		pF
Radiant intensity	I _e	I _F =100mA		55		mW/sr
Peak emission wavelength	λ _p	I _F = 50mA		940		nm
Spectral bandwidth 50%	Δ λ	I _F = 50mA		45		nm
Half angle	Δ θ	I _F =100mA		±10		deg.

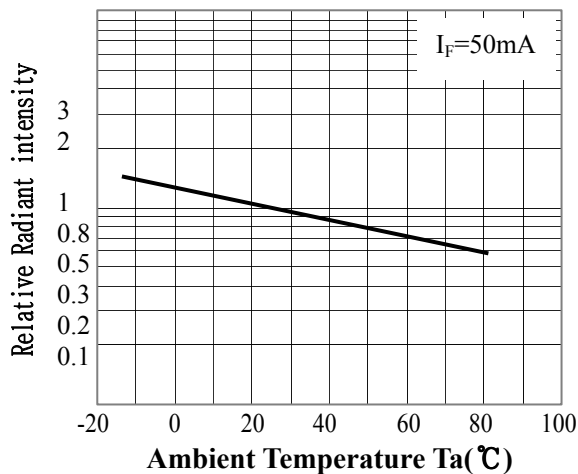
- **FORWARD CURRENT Vs. AMBIENT TEMP.**



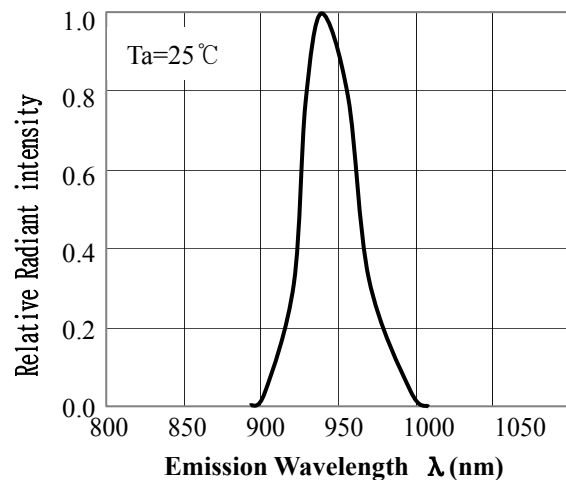
- **RADIANT INTENSITY Vs. FORWARD CURRENT.**



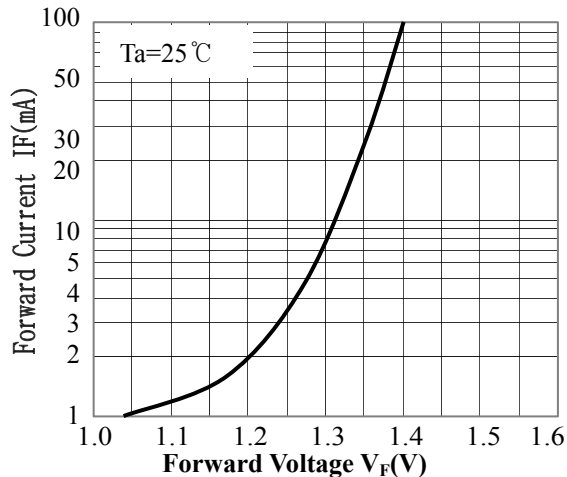
- **RELATIVE RADIANT INTENSITY Vs. AMBIENT TEMP.**



- **RELATIVE RADIANT INTENSITY Vs. EMISSION WAVELENGTH.**



- **FORWARD CURRENT Vs. FORWARD VOLTAGE**



- **ANGULAR DISPLACEMENT Vs. RELATIVE RADIANT INTENSITY**

