

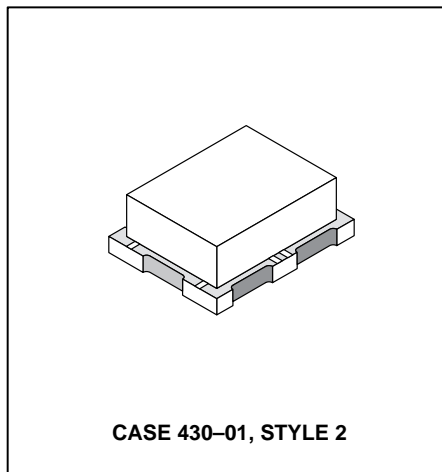
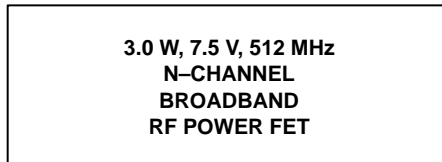
## The RF MOSFET Line

# RF Power Field Effect Transistor

### N-Channel Enhancement-Mode

The MRF5003 is designed for broadband commercial and industrial applications at frequencies to 520 MHz. The high gain and broadband performance of this device makes it ideal for large-signal, common source amplifier applications in 7.5 Volt and 12.5 Volt mobile, portable, and base station FM equipment.

- Guaranteed Performance at 512 MHz, 7.5 Volts
  - Output Power = 3.0 Watts
  - Power Gain = 9.5 dB
  - Efficiency = 45%
- Characterized with Series Equivalent Large-Signal Impedance Parameters
- S-Parameter Characterization at High Bias Levels
- Excellent Thermal Stability
- All Gold Metal for Ultra Reliability
- Capable of Handling 20:1 VSWR, @ 15.5 Vdc, 512 MHz, 2.0 dB Overdrive
- Suitable for 12.5 Volt Applications
- True Surface Mount Package
- Available in Tape and Reel by Adding R1 Suffix to Part Number.  
R1 Suffix = 500 Units per 16 mm, 7 inch Reel.
- Circuit board photomaster available upon request by contacting RF Tactical Marketing in Phoenix, AZ.



#### MAXIMUM RATINGS

| Rating  | Symbol           | Value        | Unit          |
|---|------------------|--------------|---------------|
| Drain-Source Voltage  | V <sub>DSS</sub> | 36           | Vdc           |
| Drain-Gate Voltage (R <sub>GS</sub> = 1.0 Meg Ohm)                    | V <sub>DGR</sub> | 36           | Vdc           |
| Gate-Source Voltage   | V <sub>GS</sub>  | ±20          | Vdc           |
| Drain Current — Continuous  | I <sub>D</sub>   | 1.7          | Adc           |
| Total Device Dissipation @ T <sub>C</sub> = 25°C<br>Derate above 25°C | P <sub>D</sub>   | 12.5<br>0.07 | Watts<br>W/°C |
| Storage Temperature Range   | T <sub>stg</sub> | -65 to +150  | °C            |
| Operating Junction Temperature  | T <sub>J</sub>   | 200          | °C            |

#### THERMAL CHARACTERISTICS

| Characteristic                       | Symbol           | Max | Unit |
|--------------------------------------|------------------|-----|------|
| Thermal Resistance, Junction to Case | R <sub>θJC</sub> | 14  | °C/W |

NOTE – **CAUTION** – MOS devices are susceptible to damage from electrostatic charge. Reasonable precautions in handling and packaging MOS devices should be observed.

**ELECTRICAL CHARACTERISTICS** ( $T_C = 25^\circ\text{C}$  unless otherwise noted.)

| Characteristic | Symbol | Min | Typ | Max | Unit |
|----------------|--------|-----|-----|-----|------|
|----------------|--------|-----|-----|-----|------|

**OFF CHARACTERISTICS**

|  |               |    |   |     |                 |
|--|---------------|----|---|-----|-----------------|
| Drain–Source Breakdown Voltage<br>( $V_{GS} = 0$ , $I_D = 2.5$ mAdc)   | $V_{(BR)DSS}$ | 36 | — | —   | Vdc             |
| Zero Gate Voltage Drain Current<br>( $V_{DS} = 15$ Vdc, $V_{GS} = 0$ ) | $I_{DSS}$     | —  | — | 1.0 | mAdc            |
| Gate–Source Leakage Current<br>( $V_{GS} = 20$ Vdc, $V_{DS} = 0$ )     | $I_{GSS}$     | —  | — | 1.0 | $\mu\text{Adc}$ |

**ON CHARACTERISTICS**

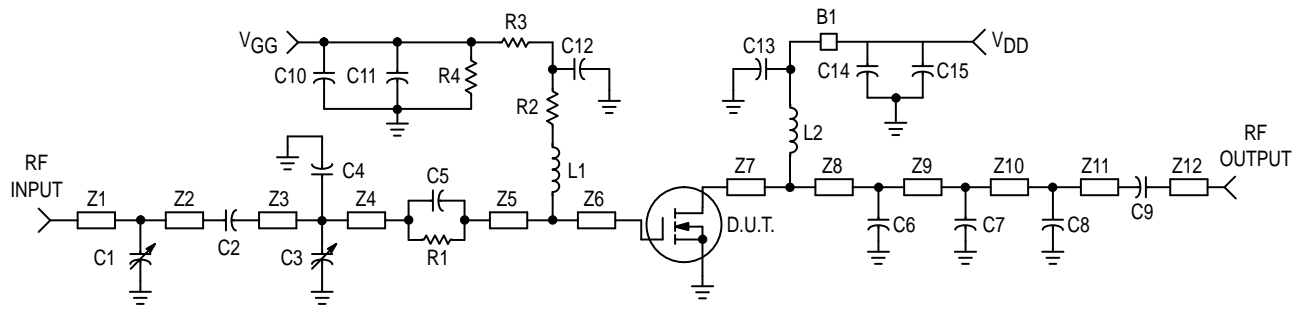
|   |              |      |      |       |     |
|---|--------------|------|------|-------|-----|
| Gate Threshold Voltage<br>( $V_{DS} = 10$ Vdc, $I_D = 5.0$ mAdc)  | $V_{GS(th)}$ | 1.25 | 2.25 | 3.5   | Vdc |
| Drain–Source On–Voltage<br>( $V_{GS} = 10$ Vdc, $I_D = 0.5$ Adc)  | $V_{DS(on)}$ | —    | —    | 0.375 | Vdc |
| Forward Transconductance<br>( $V_{DS} = 10$ Vdc, $I_D = 0.5$ Adc) | $g_{fs}$     | 0.6  | —    | —     | mho |

**DYNAMIC CHARACTERISTICS**

|  |           |     |      |     |    |
|--|-----------|-----|------|-----|----|
| Input Capacitance<br>( $V_{DS} = 12.5$ Vdc, $V_{GS} = 0$ , $f = 1.0$ MHz)            | $C_{iss}$ | —   | 16.5 | —   | pF |
| Output Capacitance<br>( $V_{DS} = 12.5$ Vdc, $V_{GS} = 0$ , $f = 1.0$ MHz)           | $C_{oss}$ | —   | 37   | —   | pF |
| Reverse Transfer Capacitance<br>( $V_{DS} = 12.5$ Vdc, $V_{GS} = 0$ , $f = 1.0$ MHz) | $C_{rss}$ | 3.5 | 4.4  | 5.4 | pF |

**FUNCTIONAL TESTS** (In Motorola Test Fixture)

|  |          |  |            |        |    |
|--|----------|--|------------|--------|----|
| Common–Source Amplifier Power Gain<br>( $V_{DD} = 7.5$ Vdc, $P_{out} = 3.0$ W, $I_{DQ} = 50$ mA) | $G_{ps}$ | $f = 512$ MHz<br>9.5<br>$f = 175$ MHz<br>— | 10.5<br>15 | —<br>— | dB |
| Drain Efficiency<br>( $V_{DD} = 7.5$ Vdc, $P_{out} = 3.0$ W, $I_{DQ} = 50$ mA)                   | $h$      | $f = 512$ MHz<br>45<br>$f = 175$ MHz<br>—  | 50<br>55   | —<br>— | %  |



|                |  |                         |                                    |
|----------------|--|-------------------------|------------------------------------|
| C1, C3, C7, C8 | 0 to 20 pF Johanson                                | Z1                      | 0.350" x 0.08" Microstrip          |
| C2, C9         | 56 pF, 100 mil Chip                                | Z2                      | 0.190" x 0.08" Microstrip          |
| C4             | 10 pF, 100 mil Chip                                | Z3                      | 0.800" x 0.08" Microstrip          |
| C5             | 47 pF, Miniature Clamped Mica Capacitor            | Z4                      | 0.380" x 0.08" Microstrip          |
| C6             | 22 pF, 100 mil Chip                                | Z5                      | 0.150" x 0.08" Microstrip          |
| C10, C15       | 10 $\mu$ F, 50 V, Electrolytic                     | Z6                      | 0.285" x 0.08" Microstrip          |
| C11, C14       | 0.1 $\mu$ F, Capacitor                             | Z7                      | 0.340" x 0.08" Microstrip          |
| C12            | 1000 pF, 100 mil Chip                              | Z8                      | 0.070" x 0.08" Microstrip          |
| C13            | 160 pF, 100 mil Chip                               | Z9                      | 0.280" x 0.08" Microstrip          |
| R1             | 35 $\Omega$ , 1/4 W Carbon                         | Z10                     | 0.840" x 0.08" Microstrip          |
| R2             | 30 $\Omega$ , 0.1 W Chip                           | Z11                     | 0.180" x 0.08" Microstrip          |
| R3             | 1.0 k $\Omega$ , 0.1 W Chip                        | Z12                     | 0.600" x 0.08" Microstrip          |
| R4             | 1.0 M $\Omega$ , 1/4 W Carbon                      | L1                      | 7 Turns, 0.076" ID, #24 AWG Enamel |
| B1             | Fair Rite Products Short Ferrite Bead (2743021446) | L2                      | 5 Turns, 0.126" ID, #20 AWG Enamel |
| Board          | — Glass Teflon <sup>®</sup> , 31 mils              | Input/Output Connectors | — Type N                           |

Note: Plated ceramic part locators (0.1" x 0.15") soldered onto Z6 and Z7.

Figure 1. 512 MHz Narrowband Test Circuit

### TYPICAL CHARACTERISTICS

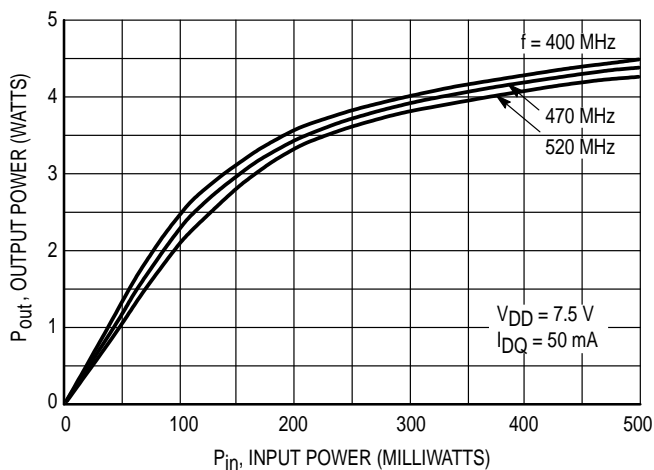


Figure 2. Output Power versus Input Power

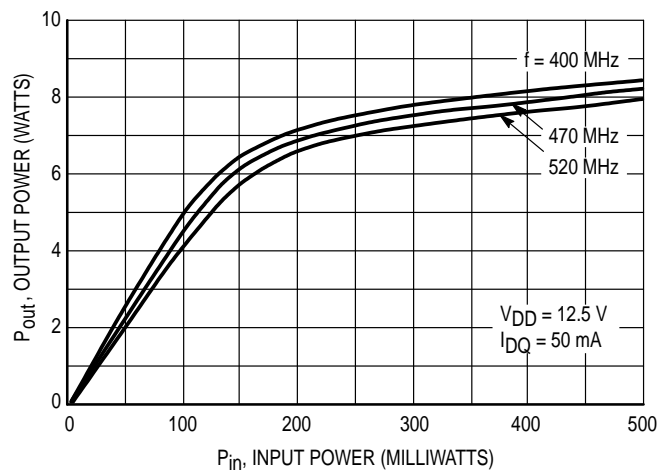


Figure 3. Output Power versus Input Power

## TYPICAL CHARACTERISTICS

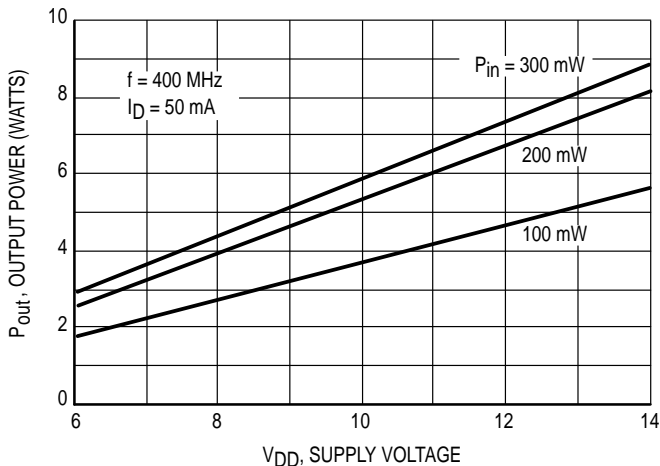


Figure 4. Output Power versus Supply Voltage

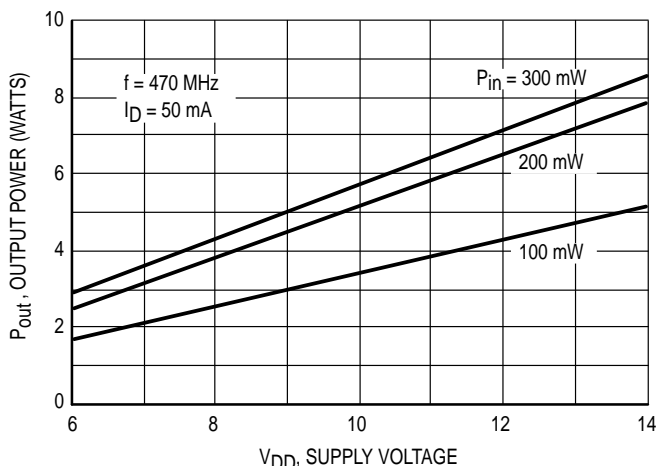


Figure 5. Output Power versus Supply Voltage

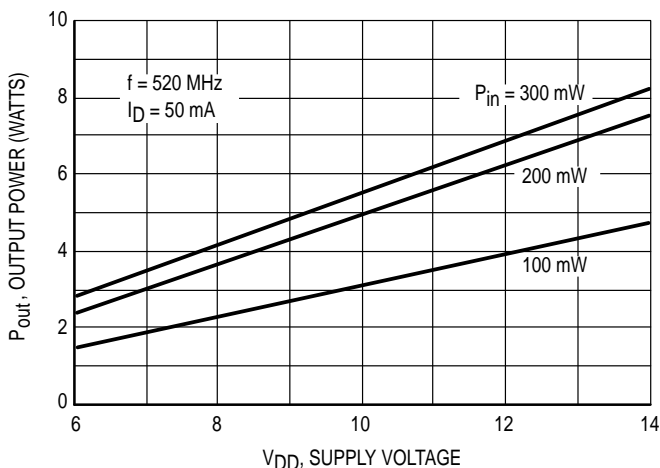


Figure 6. Output Power versus Supply Voltage

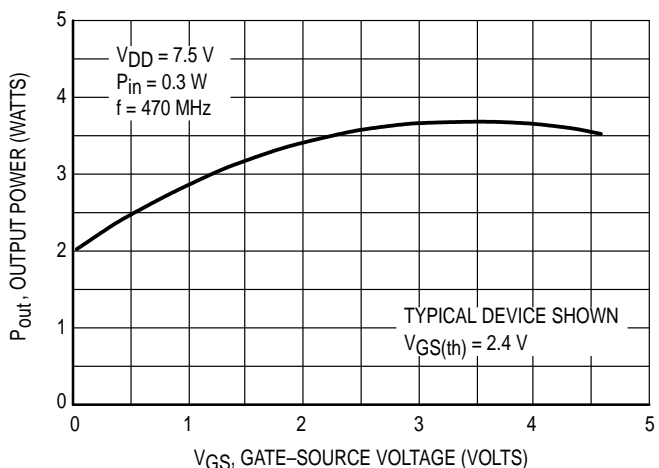


Figure 7. Output Power versus Gate Voltage

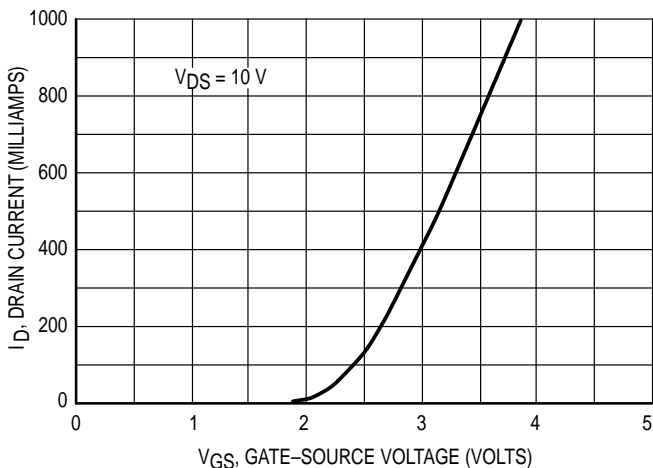


Figure 8. Drain Current versus Gate Voltage (Typical Device Shown)

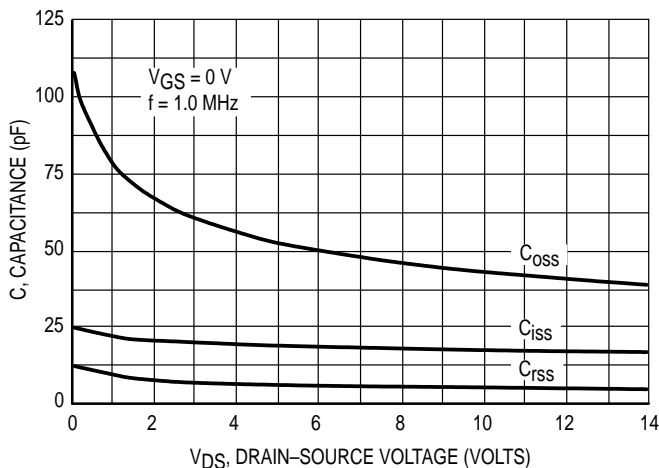
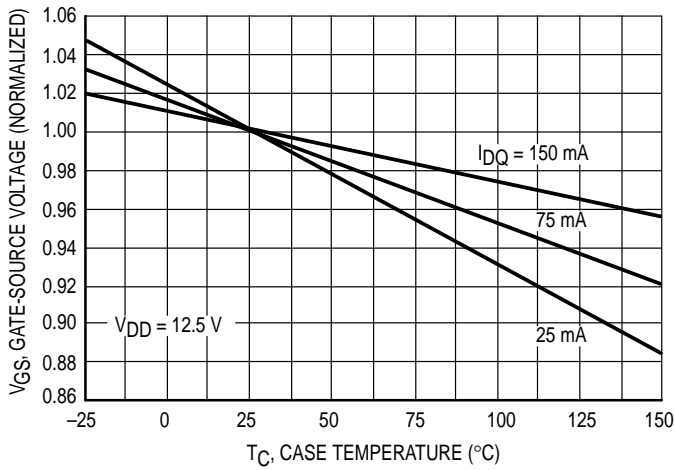
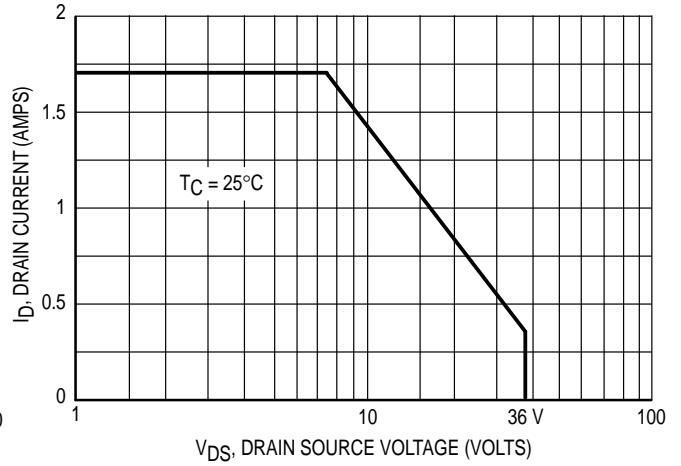


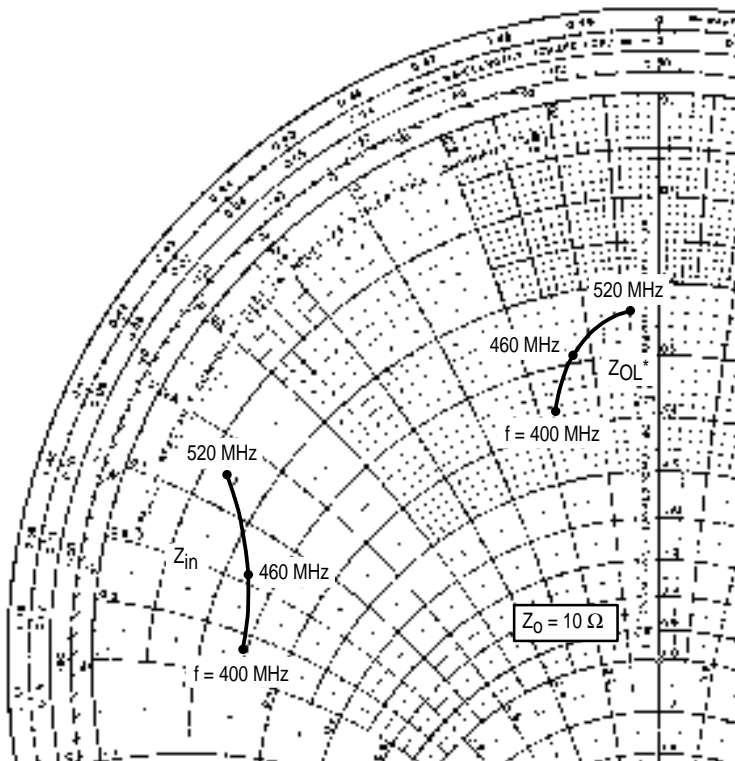
Figure 9. Capacitance versus Voltage



**Figure 10. Gate–Source Voltage versus Case Temperature**



**Figure 11. Maximum Rated Forward Biased Safe Operating Area**



$V_{DD} = 7.5$  V,  $I_{DQ} = 50$  mA,  $P_{out} = 3.0$  W

| f<br>MHz | $Z_{in}$<br>Ohms | $Z_{OL}^*$<br>Ohms |
|----------|------------------|--------------------|
| 400      | 2.8 – j9.2       | 3.6 – j1.7         |
| 430      | 2.7 – j8.5       | 3.3 – j1.5         |
| 460      | 2.5 – j7.8       | 2.7 – j1.1         |
| 490      | 2.0 – j7.2       | 2.5 – j0.8         |
| 520      | 1.3 – j6.5       | 2.4 – j0.5         |

$Z_{in}$  = Conjugate of source impedance with parallel 35  $\Omega$  resistor and 47 pF capacitor in series with gate.

$Z_{OL}^*$  = Conjugate of the load impedance at given output power, voltage, frequency, and  $\eta_D > 50\%$ .

Note:  $Z_{OL}^*$  was chosen based on tradeoffs between gain, drain efficiency, and device stability.

**Figure 12. Series Equivalent Input and Output Impedance**

**Table 1. Common Source Scattering Parameters ( $V_{DS} = 10\text{ V}$ )**

**$I_D = 50\text{ mA}$**

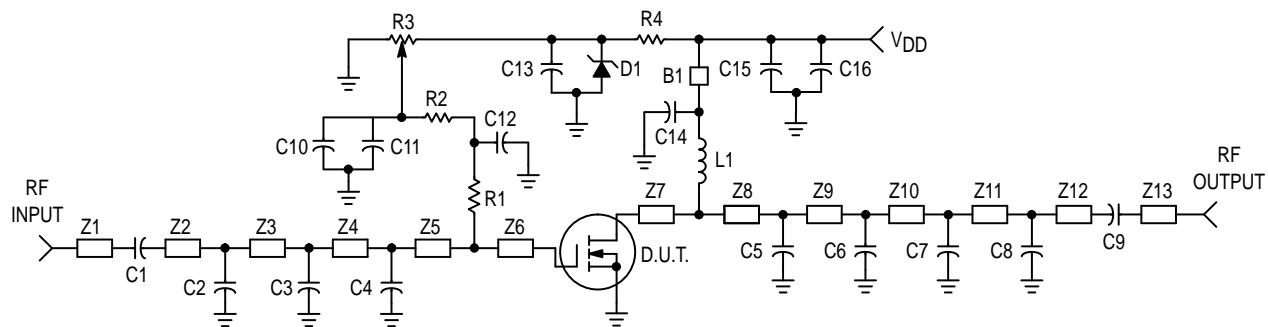
| f    | S <sub>11</sub> |                 | S <sub>21</sub> |                 | S <sub>12</sub> |                 | S <sub>22</sub> |                 |
|------|-----------------|-----------------|-----------------|-----------------|-----------------|-----------------|-----------------|-----------------|
|      | MHz             | S <sub>11</sub> | ∠φ              | S <sub>21</sub> | ∠φ              | S <sub>12</sub> | ∠φ              | S <sub>22</sub> |
| 50   | 0.69            | -90             | 10.8            | 117             | 0.07            | 29              | 0.74            | -119            |
| 100  | 0.58            | -120            | 6.0             | 96              | 0.08            | 10              | 0.78            | -146            |
| 200  | 0.58            | -139            | 3.0             | 75              | 0.08            | -7              | 0.81            | -161            |
| 300  | 0.64            | -147            | 1.9             | 61              | 0.07            | -16             | 0.84            | -166            |
| 400  | 0.70            | -152            | 1.3             | 50              | 0.06            | -21             | 0.86            | -169            |
| 500  | 0.75            | -157            | 0.99            | 41              | 0.05            | -24             | 0.88            | -172            |
| 700  | 0.82            | -165            | 0.61            | 28              | 0.03            | -15             | 0.92            | -176            |
| 850  | 0.86            | -171            | 0.45            | 21              | 0.02            | 13              | 0.94            | -179            |
| 1000 | 0.89            | -176            | 0.34            | 16              | 0.02            | 47              | 0.95            | 178             |

**$I_D = 500\text{ mA}$**

| f    | S <sub>11</sub> |                 | S <sub>21</sub> |                 | S <sub>12</sub> |                 | S <sub>22</sub> |                 |
|------|-----------------|-----------------|-----------------|-----------------|-----------------|-----------------|-----------------|-----------------|
|      | MHz             | S <sub>11</sub> | ∠φ              | S <sub>21</sub> | ∠φ              | S <sub>12</sub> | ∠φ              | S <sub>22</sub> |
| 50   | 0.76            | -124            | 15.0            | 109             | 0.04            | 23              | 0.76            | -151            |
| 100  | 0.72            | -150            | 7.9             | 94              | 0.04            | 12              | 0.81            | -165            |
| 200  | 0.72            | -163            | 4.0             | 80              | 0.04            | 6               | 0.83            | -172            |
| 300  | 0.73            | -168            | 2.6             | 71              | 0.04            | 5               | 0.84            | -175            |
| 400  | 0.75            | -171            | 1.9             | 62              | 0.04            | 7               | 0.85            | -176            |
| 500  | 0.77            | -173            | 1.5             | 55              | 0.03            | 12              | 0.86            | -178            |
| 700  | 0.81            | -177            | 0.97            | 42              | 0.03            | 29              | 0.89            | -180            |
| 850  | 0.84            | -180            | 0.75            | 35              | 0.03            | 44              | 0.90            | 178             |
| 1000 | 0.86            | 177             | 0.60            | 29              | 0.04            | 55              | 0.92            | 176             |

**$I_D = 1.0\text{ A}$**

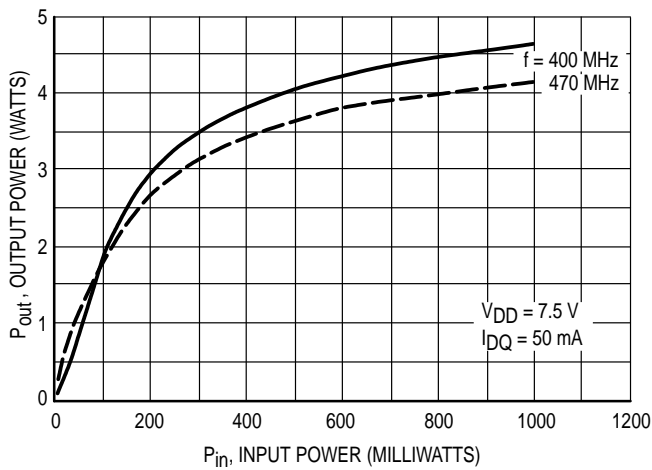
| f    | S <sub>11</sub> |                 | S <sub>21</sub> |                 | S <sub>12</sub> |                 | S <sub>22</sub> |                 |
|------|-----------------|-----------------|-----------------|-----------------|-----------------|-----------------|-----------------|-----------------|
|      | MHz             | S <sub>11</sub> | ∠φ              | S <sub>21</sub> | ∠φ              | S <sub>12</sub> | ∠φ              | S <sub>22</sub> |
| 50   | 0.80            | -125            | 14.6            | 110             | 0.04            | 23              | 0.75            | -155            |
| 100  | 0.76            | -150            | 7.8             | 95              | 0.04            | 10              | 0.81            | -167            |
| 200  | 0.76            | -164            | 3.9             | 81              | 0.04            | 1               | 0.83            | -173            |
| 300  | 0.77            | -169            | 2.6             | 71              | 0.04            | -3              | 0.84            | -175            |
| 400  | 0.79            | -172            | 1.9             | 63              | 0.03            | -5              | 0.85            | -176            |
| 500  | 0.80            | -174            | 1.4             | 56              | 0.03            | -5              | 0.86            | -177            |
| 700  | 0.83            | -178            | 0.95            | 43              | 0.03            | -1              | 0.88            | -179            |
| 850  | 0.85            | 179             | 0.73            | 35              | 0.02            | 9               | 0.90            | 179             |
| 1000 | 0.87            | 177             | 0.58            | 28              | 0.02            | 22              | 0.91            | 178             |



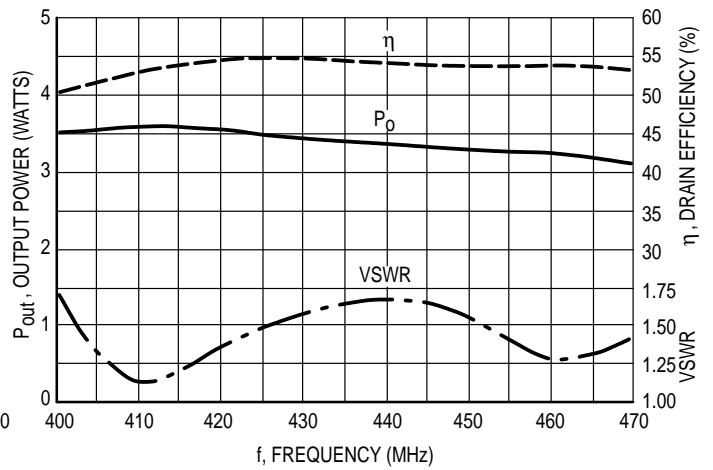
|          |  |                         |                                     |
|----------|--|-------------------------|-------------------------------------|
| C1, C9   | 100 pF 100 mil Chip                                | C13                     | 0.1 $\mu$ F, 100 mil Chip           |
| C2       | 16 pF, 100 mil Chip                                | C14                     | 160 pF, 100 mil Chip                |
| C3       | 24 pF, 100 mil Chip                                | R1                      | 43 $\Omega$ , 0.1 W Chip Resistor   |
| C4       | 68 pF, 100 mil Chip                                | R2                      | 1000 $\Omega$ , 0.1 W Chip Resistor |
| C5       | 51 pF, 100 mil Chip                                | R3                      | 10 k $\Omega$ Potentiometer         |
| C6       | 39 pF, 100 mil Chip                                | R4                      | 3000 $\Omega$ , 0.1 W Chip Resistor |
| C7       | 6.2 pF, 100 mil Chip                               | L1                      | 5 Turns, 0.126" ID, #20 AWG Enamel  |
| C8       | 9.1 pF, 100 mil Chip                               | Z1 to Z13               | See Photomaster                     |
| C10, C15 | 39000 pF, 100 mil Chip                             | D1                      | 1N4734 Motorola Zener               |
| C11, C16 | 10 $\mu$ F, 50 V Electrolytic                      | Board                   | — G10, 1/32"                        |
| C12      | 10000 pF, 100 mil Chip                             | Input/Output Connectors | — SMA                               |
| B1       | Fair Rite Products Short Ferrite Bead (2743021446) |                         |                                     |

**Figure 13. Schematic of Broadband Demonstration Amplifier**

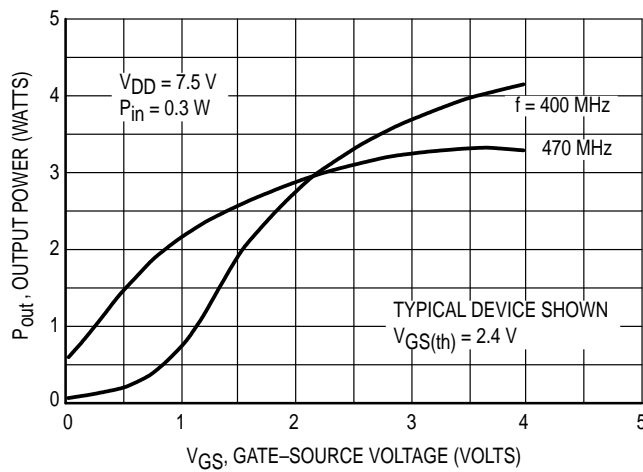
## PERFORMANCE CHARACTERISTICS OF BROADBAND DEMONSTRATION AMPLIFIER



**Figure 14. Output Power versus Input Power**



**Figure 15. Output Power, Drain Efficiency and VSWR versus Frequency**



**Figure 16. Output Power versus Gate Voltage**



## DESIGN CONSIDERATIONS

The MRF5003 is a common-source, RF power, N-Channel enhancement mode, Metal-Oxide Semiconductor Field-Effect Transistor (MOSFET). Motorola RF MOSFETs feature a vertical structure with a planar design. Motorola Application Note AN211A, "FETs in Theory and Practice", is suggested reading for those not familiar with the construction and characteristics of FETs.

This surface mount packaged device was designed primarily for VHF and UHF power amplifier applications. Manufacturability is improved by utilizing the tape and reel capability for fully automated pick and placement of parts.

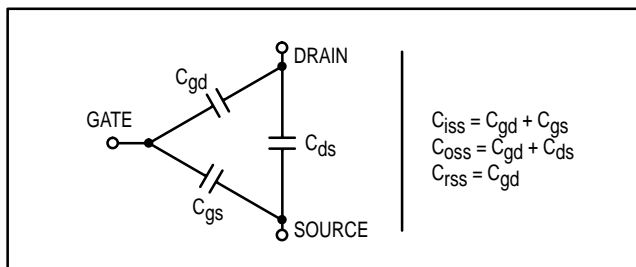
The major advantages of RF power MOSFETs include high gain, simple bias systems, relative immunity from thermal runaway, and the ability to withstand severely mismatched loads without suffering damage.

## MOSFET CAPACITANCES

The physical structure of a MOSFET results in capacitors between all three terminals. The metal oxide gate structure determines the capacitors from gate-to-drain ( $C_{gd}$ ), and gate-to-source ( $C_{gs}$ ). The PN junction formed during fabrication of the RF MOSFET results in a junction capacitance from drain-to-source ( $C_{ds}$ ). These capacitances are characterized as input ( $C_{iss}$ ), output ( $C_{oss}$ ) and reverse transfer ( $C_{rss}$ ) capacitances on data sheets. The relationships between the inter-terminal capacitances and those given on data sheets are shown below. The  $C_{iss}$  can be specified in two ways:

1. Drain shorted to source and positive voltage at the gate.
2. Positive voltage of the drain in respect to source and zero volts at the gate.

In the latter case, the numbers are lower. However, neither method represents the actual operating conditions in RF applications.



## DRAIN CHARACTERISTICS

One critical figure of merit for a FET is its static resistance in the full-on condition. This on-resistance,  $R_{DS(on)}$ , occurs in the linear region of the output characteristic and is specified at a specific gate-source voltage and drain current. The drain-source voltage under these conditions is termed  $V_{DS(on)}$ . For MOSFETs,  $V_{DS(on)}$  has a positive temperature coefficient at high temperatures because it contributes to the power dissipation within the device.

## GATE CHARACTERISTICS

The gate of the RF MOSFET is a polysilicon material, and is electrically isolated from the source by a layer of oxide.

The input resistance is very high — on the order of  $10^9 \Omega$  — resulting in a leakage current of a few nanoamperes.

Gate control is achieved by applying a positive voltage to the gate greater than the gate-to-source threshold voltage,  $V_{GS(th)}$ .

**Gate Voltage Rating** — Never exceed the gate voltage rating. Exceeding the rated  $V_{GS}$  can result in permanent damage to the oxide layer in the gate region.

**Gate Termination** — The gates of these devices are essentially capacitors. Circuits that leave the gate open-circuited or floating should be avoided. These conditions can result in turn-on of the devices due to voltage build-up on the input capacitor due to leakage currents or pickup.

**Gate Protection** — These devices do not have an internal monolithic zener diode from gate-to-source. If gate protection is required, an external zener diode is recommended with appropriate RF decoupling.

Using a resistor to keep the gate-to-source impedance low also helps dampen transients and serves another important function. Voltage transients on the drain can be coupled to the gate through the parasitic gate-drain capacitance. If the gate-to-source impedance and the rate of voltage change on the drain are both high, then the signal coupled to the gate may be large enough to exceed the gate-threshold voltage and turn the device on.

## DC BIAS

Since the MRF5003 is an enhancement mode FET, drain current flows only when the gate is at a higher potential than the source. See Figure 8 for a typical plot of drain current versus gate voltage. RF power FETs operate optimally with a quiescent drain current ( $I_{DQ}$ ), whose value is application dependent. The MRF5003 was characterized at  $I_{DQ} = 50$  mA, which is the suggested value of bias current for typical applications. For special applications such as linear amplification,  $I_{DQ}$  may have to be selected to optimize the critical parameters.

The gate is a dc open circuit and draws no current. Therefore, the gate bias circuit may generally be just a simple resistive divider network. Some special applications may require a more elaborate bias system.

## GAIN CONTROL

Power output of the MRF5003 may be controlled from its rated value down to zero (negative gain) with a low power dc control signal, thus facilitating applications such as manual gain control, ALC/AGC and modulation systems. Figure 16 is an example of output power variation with gate-source bias voltage. This characteristic is very dependent on frequency and load line.

## MOUNTING

The specified maximum thermal resistance of  $14^\circ\text{C/W}$  assumes a majority of the  $0.100'' \times 0.200''$  source contact on the back side of the package is in good contact with an appropriate heat sink. In the test fixture shown in Figure 1, the device is clamped directly to a copper pedestal. In the demonstration amplifier, the device was mounted on top of the G10 circuit board and heat removal was accomplished through several solder filled plated through holes. As with all RF power devices, the goal of the thermal design should be to minimize the temperature at the back side of the package.

## AMPLIFIER DESIGN

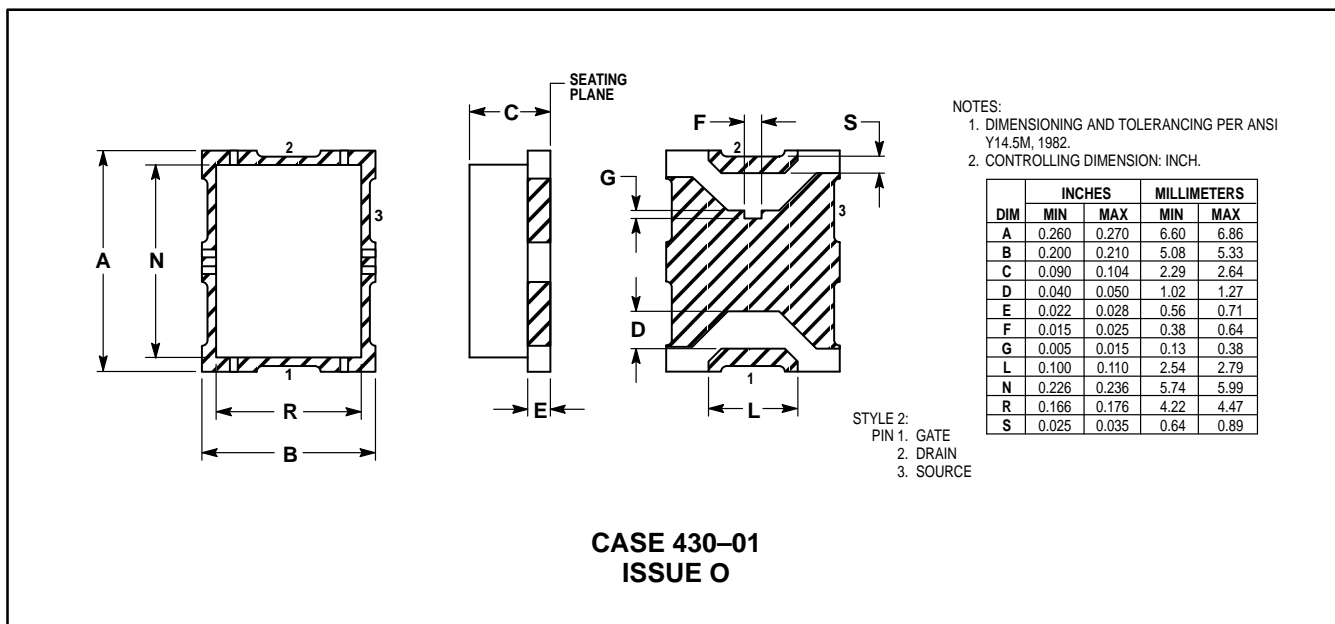
Impedance matching networks similar to those used with bipolar transistors are suitable for the MRF5003. For examples see Motorola Application Note AN721, "Impedance Matching Networks Applied to RF Power Transistors". Both small-signal S-parameters and large-signal impedances are provided. While the S-parameters will not produce an exact design solution for high power operation, they do yield a good first approximation. This is an additional advantage of RF power MOSFETs.

Since RF power MOSFETs are triode devices, they are not unilateral. This coupled with the very high gain of the MRF5003 yield a device capable of self oscillation. Stability may be achieved by techniques such as drain loading, input

shunt resistive loading, or output to input feedback. Different stabilizing techniques were applied to the test fixture and demonstration amplifiers. The RF test fixture implements a parallel resistor and capacitor in series with the gate while the demonstration amplifier utilizes a 43  $\Omega$  shunt resistor from gate to ground. Both circuits have a load line selected for a higher efficiency, lower gain, and more stable operating region.

Two port stability analysis with the MRF5003 S-parameters provides a useful tool for selection of loading or feedback circuitry to assure stable operation. See Motorola Application Note AN215A, "RF Small-Signal Design Using Two-Port Parameters", for a discussion of two port network theory and stability.

## PACKAGE DIMENSIONS



Motorola reserves the right to make changes without further notice to any products herein. Motorola makes no warranty, representation or guarantee regarding the suitability of its products for any particular purpose, nor does Motorola assume any liability arising out of the application or use of any product or circuit, and specifically disclaims any and all liability, including without limitation consequential or incidental damages. "Typical" parameters can and do vary in different applications. All operating parameters, including "Typicals" must be validated for each customer application by customer's technical experts. Motorola does not convey any license under its patent rights nor the rights of others. Motorola products are not designed, intended, or authorized for use as components in systems intended for surgical implant into the body, or other applications intended to support or sustain life, or for any other application in which the failure of the Motorola product could create a situation where personal injury or death may occur. Should Buyer purchase or use Motorola products for any such unintended or unauthorized application, Buyer shall indemnify and hold Motorola and its officers, employees, subsidiaries, affiliates, and distributors harmless against all claims, costs, damages, and expenses, and reasonable attorney fees arising out of, directly or indirectly, any claim of personal injury or death associated with such unintended or unauthorized use, even if such claim alleges that Motorola was negligent regarding the design or manufacture of the part. Motorola and are registered trademarks of Motorola, Inc. Motorola, Inc. is an Equal Opportunity/Affirmative Action Employer.

### How to reach us:

**USA/EUROPE:** Motorola Literature Distribution;  
 P.O. Box 20912; Phoenix, Arizona 85036. 1-800-441-2447

**MFAX:** RMFAX0@email.sps.mot.com - TOUCHTONE (602) 244-6609  
**INTERNET:** http://Design-NET.com

**JAPAN:** Nippon Motorola Ltd.; Tatsumi-SPD-JLDC, Toshikatsu Otsuki,  
 6F Seibu-Butsuryu-Center, 3-14-2 Tatsumi Koto-Ku, Tokyo 135, Japan. 03-3521-8315

**HONG KONG:** Motorola Semiconductors H.K. Ltd.; 8B Tai Ping Industrial Park,  
 51 Ting Kok Road, Tai Po, N.T., Hong Kong. 852-26629298



MRF5003/D

